



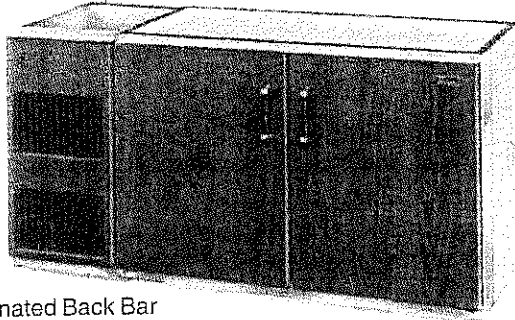
5 Year Compressor Warranty



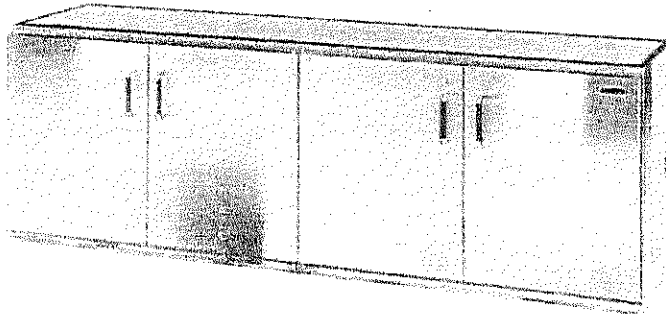
Item No. \_\_\_\_\_

# INSTALLATION and OPERATION INSTRUCTIONS

## Classic Back Bar Cabinets



Two Door Laminated Back Bar with Self-Contained Refrigeration



Four Door Stainless Steel Back Bar for Remote Refrigeration

### Model Nos.

#### 37" Remote & Self-Contained

C5063E Series

C5064E Series

C5065E Series

#### 32" Remote & Self-Contained

C5077 Series

C5078 Series

C5079 Series

### IMPORTANT WARRANTY INFORMATION

A Warranty card is enclosed that must be completed and mailed to the Perlick Corporation to register the warranty. If the card is not returned to Perlick, the warranty period will begin from the date the equipment is shipped from the factory.

## Table of Contents

### Cabinet Specifications

For 37" Self-Contained Back Bars .....	2
For 32" Self-Contained Back Bars .....	3
For 37" Remote Back Bars .....	4
For 32" Remote Back Bars .....	5
General Information .....	6
Preparing the Back Bar .....	6
Field Fabricating a Bar Top .....	7
Installing a Drop Face .....	8
Refrigeration Hookup for Remote Back Bars .....	9
Replacement Parts .....	10
Wiring Diagrams .....	11-16

These instructions have been prepared to assist you in the installation of your Back Bar Cabinet and to acquaint you with its operation and maintenance.

We dedicate considerable time to ensure that our products provide the highest level of customer satisfaction. If service is required, your dealer can provide you with a list of qualified service agents. For your own protection, never return merchandise for credit without our approval.

We thank you for selecting a Perlick product and assure you of our continuing interest in your satisfaction.



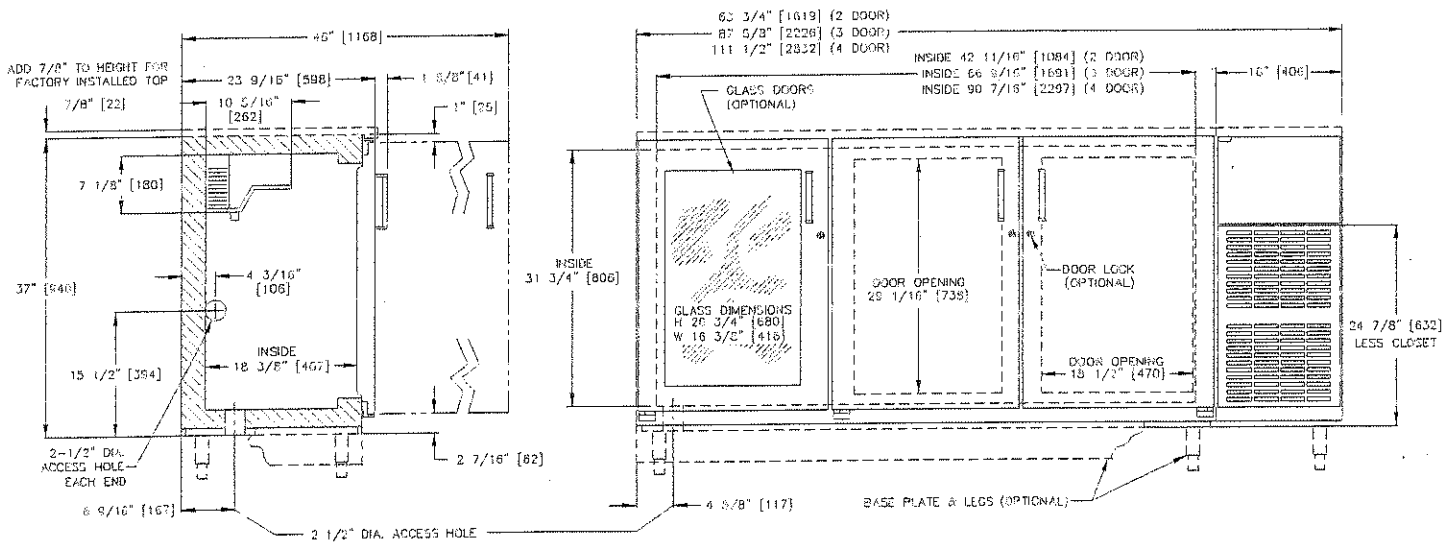
8300 West Good Hope Road  
Milwaukee, WI 53223  
Phone: 414-353-7060 Fax: 414-353-7069

# SPECIFICATIONS - 37" Self-Contained Back Bar

BACK BAR CABINETS

MODEL NOS.	C5063ESC	C5064ESC	C5065ESC
NUMBER OF DOORS	2 Door	3 Door	4 Door
CABINET DIMENSIONS (mm.)	Length	63 <sup>3</sup> / <sub>4</sub> " (1619)	87 <sup>5</sup> / <sub>8</sub> " (2226)
	Depth	23 <sup>9</sup> / <sub>16</sub> " (598)	23 <sup>9</sup> / <sub>16</sub> " (598)
	Height	37" (940)	37" (940)
NO. OF SHELVES	6	9	12
CASE CAPACITY	9.9	17.2	24.3
CONDENSING UNIT H.P.	1/4	1/4	1/3
RUNNING LOAD - AMPS	6	7	8.5
SHIPPING WEIGHT lbs. (kg.)	440 (200)	610 (277)	770 (350)
Exterior	Front cabinet face and door mullions: Type 430, stainless steel. Ends and Back: galvanized steel.		
Storage Closet Door Compressor Grille Cover	<b>Style A:</b> Grille louvres and sides painted black satin enamel. Grille frame front and closet door front laminated. <b>Style B:</b> Grille louvres, frame and closet door are stainless steel. <b>Style C:</b> Grille louvres and grille frame are painted black satin enamel; closet door is stainless steel.		
Interior	Inner liner is stainless steel. Vinyl-coated, fully adjustable wire shelves and lights factory installed.		
Door Finishes	<b>Style A:</b> Finished with customer's choice of high-pressure laminate; <b>Style B:</b> Stainless steel; <b>Style C:</b> Unfinished for field lamination.		
Door Hinging	Concealed hinging as illustrated. For special hinging, specify from left to right.		
Door Hardware	Door handles black vinyl with chrome ends.		
Refrigeration	R134a, capillary tube-type. Aluminum fin and copper tube evaporator coil. Adjustable temperature control Self-defrosting. Pull-out condensing unit for service and cleaning. Front ventilated hermetic condensing unit.		
Electrical	115 V, 60 Hz., 1 ph. Can be modified for other voltages; contact Perlick sales office. Junction box provided in condensing unit compartment.		
Plumbing	None. required. Condensate evaporates automatically.		
Insulation	Fiberglass.		
Options and Accessories	Finished countertops (laminated or stainless steel), glass doors, legs, base plates, finished ends, divided shelves, cash register stands, draft beer dispensing kits, brass hardware.		

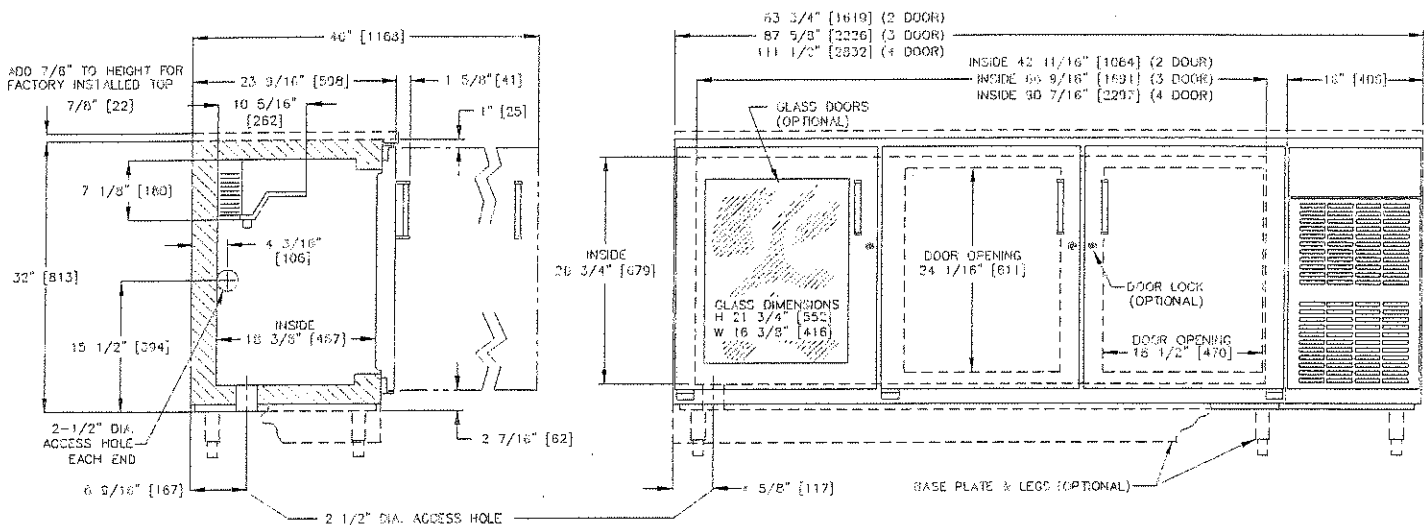
**NOTE:** This equipment is intended for the storage and display of non-potentially hazardous, bottle and canned products only.



# SPECIFICATIONS - 32" Self-Contained Back Bar

MODEL NOS.	C5077SC	C5078SC	C5079SC	
NUMBER OF DOORS	2 Door	3 Door	4 Door	
CABINET DIMENSIONS (mm.)	Length	63 <sup>3</sup> / <sub>4</sub> " (1619)	87 <sup>5</sup> / <sub>8</sub> " (2226)	111 <sup>1</sup> / <sub>2</sub> " (2832)
	Depth	23 <sup>9</sup> / <sub>16</sub> " (598)	23 <sup>9</sup> / <sub>16</sub> " (598)	23 <sup>9</sup> / <sub>16</sub> " (598)
	Height	32" (813)	32" (813)	32" (813)
NO. OF SHELVES	4	6	8	
CASE CAPACITY	6.5	10.5	14	
CONDENSING UNIT H.P.	1/4	1/4	1/3	
RUNNING LOAD - AMPS	6	7	8.5	
SHIPPING WEIGHT lbs. (kg.)	410 (186)	565 (239)	670 (305)	
Exterior	Front cabinet face and door mullions: Type 430, stainless steel. Ends and Back: galvanized steel.			
Storage Closet Door Compressor Grille Cover	<b>Style A:</b> Grille louvres and sides painted black satin enamel. Grille frame front and closet door front laminated. <b>Style B:</b> Grille louvres, frame and closet door are stainless steel. <b>Style C:</b> Grille louvres and grille frame are painted black satin enamel; closet door is stainless steel.			
Interior	Inner liner is stainless steel. Vinyl-coated, fully adjustable wire shelves.			
Door Finishes	<b>Style A:</b> Finished with customer's choice of high-pressure laminate. <b>Style B:</b> Stainless steel. <b>Style C:</b> Unfinished for field lamination.			
Door Hinging	Concealed hinging as illustrated. For special hinging, specify from left to right.			
Door Hardware	Door handles black vinyl with chrome ends.			
Refrigeration	R134a, capillary tube-type. Aluminum fin and copper tube evaporator coil. Adjustable temperature control Self-defrosting. Pullout condensing unit for service and cleaning. Front ventilated hermetic condensing unit.			
Electrical	115 V, 60 Hz., 1 ph. Can be modified for other voltages; contact Perlick sales office. Junction box provided in condensing unit compartment.			
Plumbing	No drain required. Condensate evaporates automatically.			
Insulation	Fiberglass.			
Options and Accessories	Finished countertops (laminated or stainless steel), glass doors, legs, base plates, finished ends, divided shelves, cash register stands, draft beer and wine dispensing kits, brass hardware.			

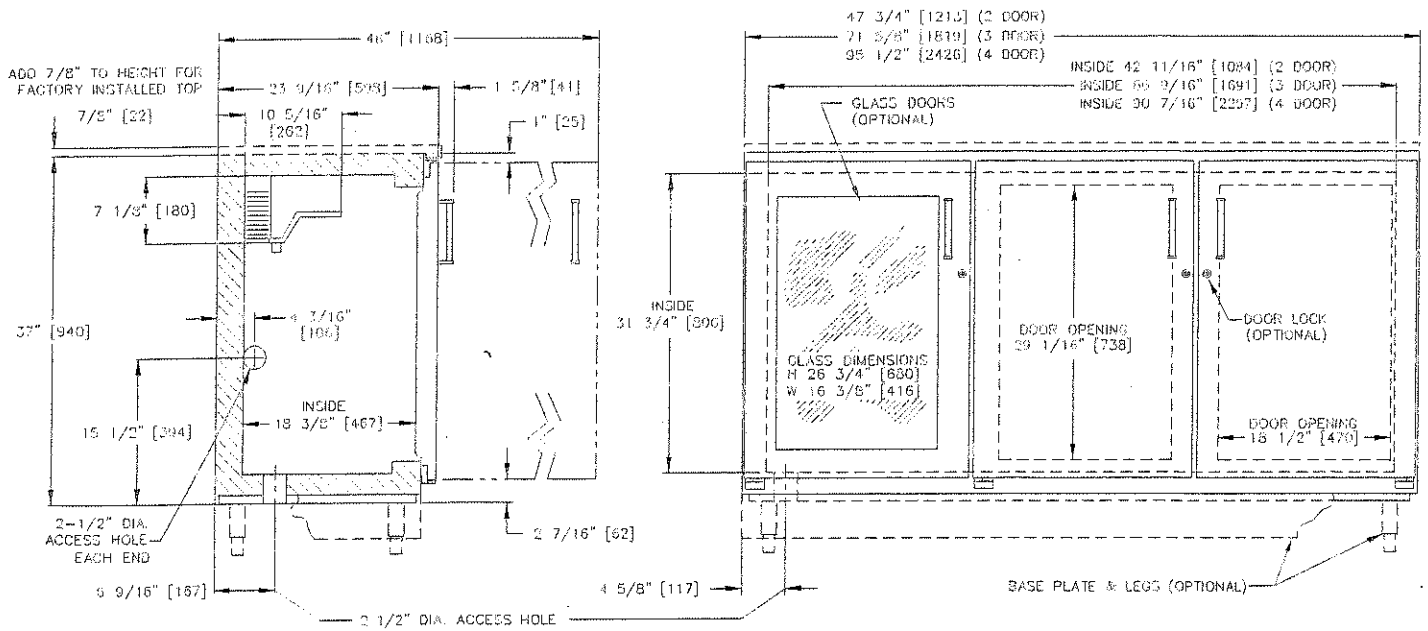
**NOTE:** This equipment is intended for the storage and display of non-potentially hazardous, bottle and canned products only.



# SPECIFICATIONS - 37" Remote Back Bar

MODEL NOS.	C5063E	C5064E	C5065E
NUMBER OF DOORS	<b>2 Door</b>	<b>3 Door</b>	<b>4 Door</b>
CABINET DIMENSIONS (mm.)	Length	47 <sup>3</sup> / <sub>4</sub> " (1213)	71 <sup>5</sup> / <sub>8</sub> " (1819)
	Depth	23 <sup>9</sup> / <sub>16</sub> " (598)	23 <sup>9</sup> / <sub>16</sub> " (598)
	Height	37" (940)	37" (940)
NO. OF SHELVES	6	9	12
EVAPORATOR BTU/HR	1400	1800	2200
RUNNING LOAD - AMPS	1.5	1.5	1.5
LIQUID INLET LINE SIZE	<sup>3</sup> / <sub>8</sub> " O.D.	<sup>3</sup> / <sub>8</sub> " O.D.	<sup>3</sup> / <sub>8</sub> " O.D.
SUCTION LINE SIZE	<sup>3</sup> / <sub>8</sub> " O.D.	<sup>3</sup> / <sub>8</sub> " O.D.	<sup>3</sup> / <sub>8</sub> " O.D.
SHIPPING WEIGHT lbs. (kg.)	335 (152)	470 (214)	660 (300)
Exterior	Front cabinet face and door mullions: Type 430, stainless steel. Ends and Back: galvanized steel.		
Interior	Inner liner is stainless steel. Vinyl-coated, fully adjustable wire shelves.		
Door Finishes	<b>Style A:</b> Finished with customer's choice of high-pressure laminate; <b>Style B:</b> Stainless steel; <b>Style C:</b> Unfinished for field lamination.		
Door Hinging	Concealed hinging as illustrated. For special door hinging, specify from left to right.		
Door Hardware	Door handles black vinyl with chrome ends.		
Electrical	115 V, 60 Hz., 1 ph. Can be modified for other voltages; contact Perlick sales office.		
Plumbing	Independent floor drain or condensate pan evaporator is required. If dispensing draft beer, drain connection is <sup>1</sup> / <sub>2</sub> " O.D.		
Insulation	Fiberglass.		
Options and Accessories	Finished countertops (laminated or stainless steel), glass doors, legs, base plates, finished ends, divided shelves, cash register stands, draft beer dispensing kits, brass hardware.		

**NOTE:** This equipment is intended for the storage and display of non-potentially hazardous, bottle and canned products only.

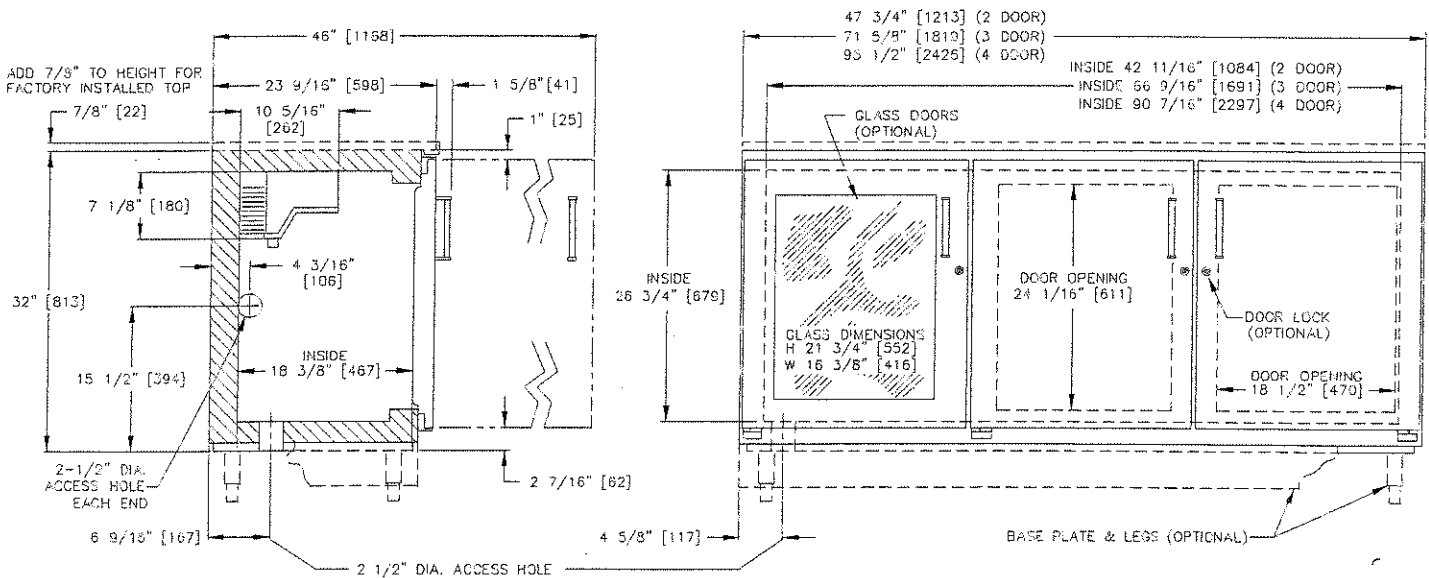


# SPECIFICATIONS - 32" Remote Back Bar

BACK BAR CABINETS

MODEL NOS.	C5077	C5078	C5079
NUMBER OF DOORS	2 Door	3 Door	4 Door
CABINET DIMENSIONS (mm.)	Length	47 <sup>3</sup> / <sub>4</sub> " (1213)	71 <sup>5</sup> / <sub>8</sub> " (1819)
	Depth	23 <sup>9</sup> / <sub>16</sub> " (598)	23 <sup>9</sup> / <sub>16</sub> " (598)
	Height	32" (813)	32" (813)
NO. OF SHELVES	4	6	8
EVAPORATOR BTU/HR	1120	1440	1760
RUNNING LOAD - AMPS	1.5	1.5	1.5
LIQUID INLET LINE SIZE	<sup>3</sup> / <sub>8</sub> " O.D.	<sup>3</sup> / <sub>8</sub> " O.D.	<sup>3</sup> / <sub>8</sub> " O.D.
SUCTION LINE SIZE	<sup>3</sup> / <sub>8</sub> " O.D.	<sup>3</sup> / <sub>8</sub> " O.D.	<sup>3</sup> / <sub>8</sub> " O.D.
SHIPPING WEIGHT lbs. (kg.)	265 (120)	405 (184)	510 (231)
Exterior	Front cabinet face and door mullions: Type 430, stainless steel. Ends and Back: galvanized steel.		
Interior	Inner liner is stainless steel. Vinyl-coated, fully adjustable wire shelves.		
Door Finishes	<b>Style A:</b> Finished with customer's choice of high-pressure laminate; <b>Style B:</b> Stainless steel; <b>Style C:</b> Unfinished for field lamination.		
Door Hinging	Concealed hinging as illustrated. For special door hinging, specify from left to right.		
Door Hardware	Door handles black vinyl with chrome ends.		
Electrical	115 V, 60 Hz., 1 ph. Can be modified for other voltages; contact Perlick sales office.		
Plumbing	Independent floor drain or condensate pan evaporator is required. If dispensing draft beer, drain connection is <sup>1</sup> / <sub>2</sub> " O.D.		
Insulation	Fiberglass.		
Options and Accessories	Finished tops (laminated or stainless steel), glass doors, legs, base plates, finished ends, locks, divided shelves, cash register stands, draft beer and wine dispensing kits, brass hardware.		

**NOTE:** This equipment is intended for the storage and display of non-potentially hazardous, bottle and canned products only.



# Preparing the Cabinet

BACK BAR CABINETS

## INSPECTION

After uncrating, inspect your back bar for concealed damage. If damaged save the crating material, contact the delivering freight company immediately and file a claim for concealed damages. The delivering carrier is responsible for all losses sustained in shipment.

## PLACING THE CABINET

Within the limits of good operating practices, Back Bars can be installed in a convenient location for the operator. Cabinet must be level at time of installation.

## ELECTRICAL REQUIREMENTS

This back bar must be connected to a separately fused power source (See Electrical Specification Plate) and grounded in accordance with National and Local Electrical Codes. **Caution:** Do not attempt to operate the equipment on any other power source than listed on the Electrical Specification plate.

## REFRIGERATION

Back Bars are designed for normal temperature applications, 34° F. to 40° F. Evaporators are self-defrosting in this temperature range. Fan Motors should run continuously (See Wiring Diagram).

## CONDENSATE DRAIN LINE - Remote Models

The 1/2" condensate drain line furnished with the back bar must be removed and cleaned periodically. Do not attach this line permanently to existing plumbing. Instead, the plumber should provide a "funnel" connection between the condensate drain and cabinet drain making it possible to manually remove the condensate drain for cleaning as necessary.

## DOORS

Doors are adjusted at the factory to ensure a perfect seal at time of shipment. Doors are not interchangeable. If removed from the cabinet, replace in same door opening.

## CLEANING

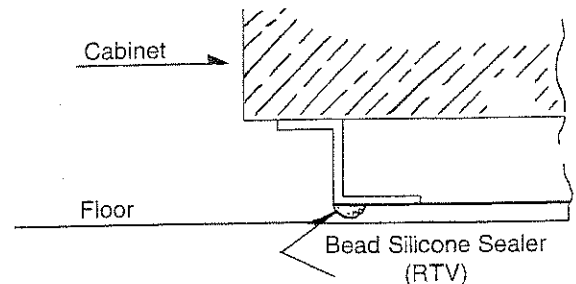
**Exterior:** Clean with soft cloth, mild detergent and warm water.  
**Interior:** Use a solution of one teaspoon baking soda to one quart of warm water.

## WARRANTY

Perlick Back Bars are fully guaranteed against defects in both material and workmanship for a period of one year from the date of purchase. Defective parts must be returned to Perlick, freight prepaid. Parts found defective upon inspection will be replaced on a no-charge basis, F.O.B. our factory. Perlick is not responsible for parts damaged by alteration, unauthorized service, accident or abuse.

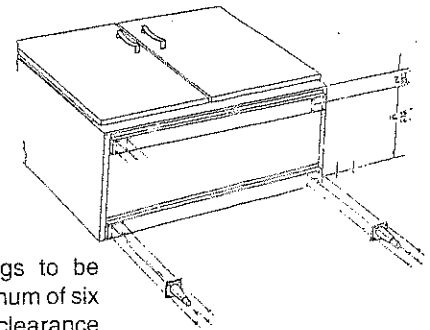
## SEALING THE CABINET TO THE FLOOR

For sanitation purposes, it may be necessary to seal the base of the cabinet to the floor. This can be accomplished by laying a bead of silicone sealant along the base of the cabinet as shown.



## ADJUSTABLE LEGS

To install, lay cabinet on its back. Required fastener holes have been predrilled at the factory.



**NOTE:** NSF requires legs to be adjusted to ensure a minimum of six inches of unobstructed clearance beneath the cabinet.

## FIELD LAMINATING DOORS

Surfaces to be laminated must be free of dirt and grease. Rough up surface with sandpaper for a better bond.

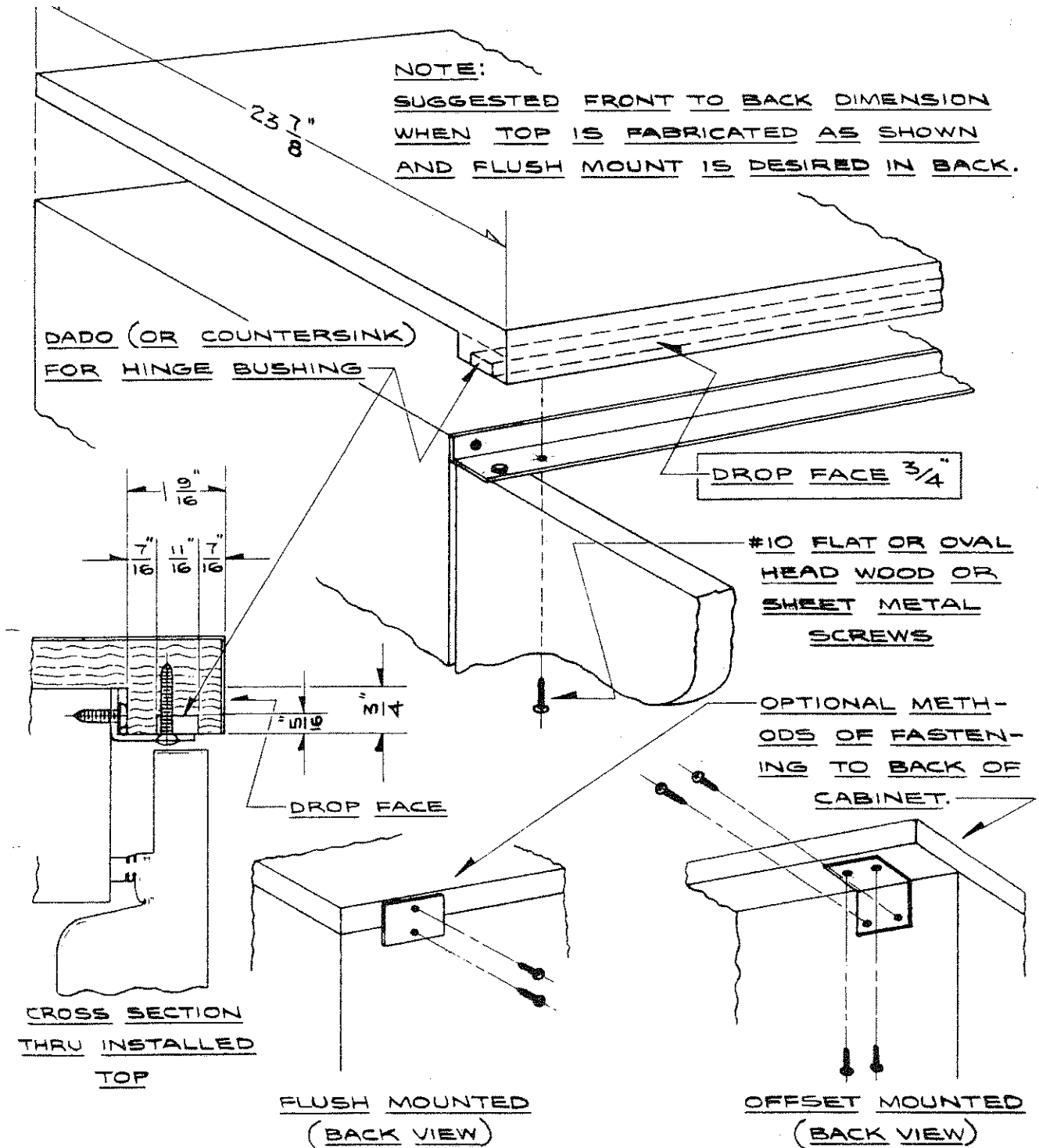
**IMPORTANT: Doors and hardware are not interchangeable.** Identify each door's position on the cabinet prior to removing it. Doors must be replaced in their original position. Hardware must also be replaced on the door from which it was taken.

### To Laminate:

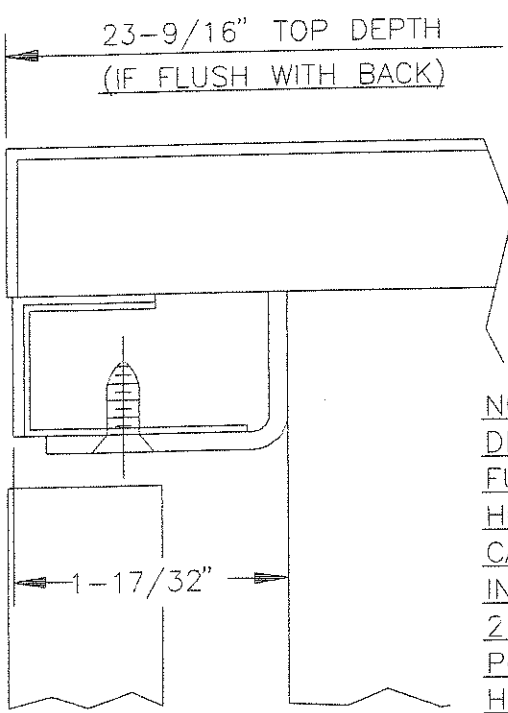
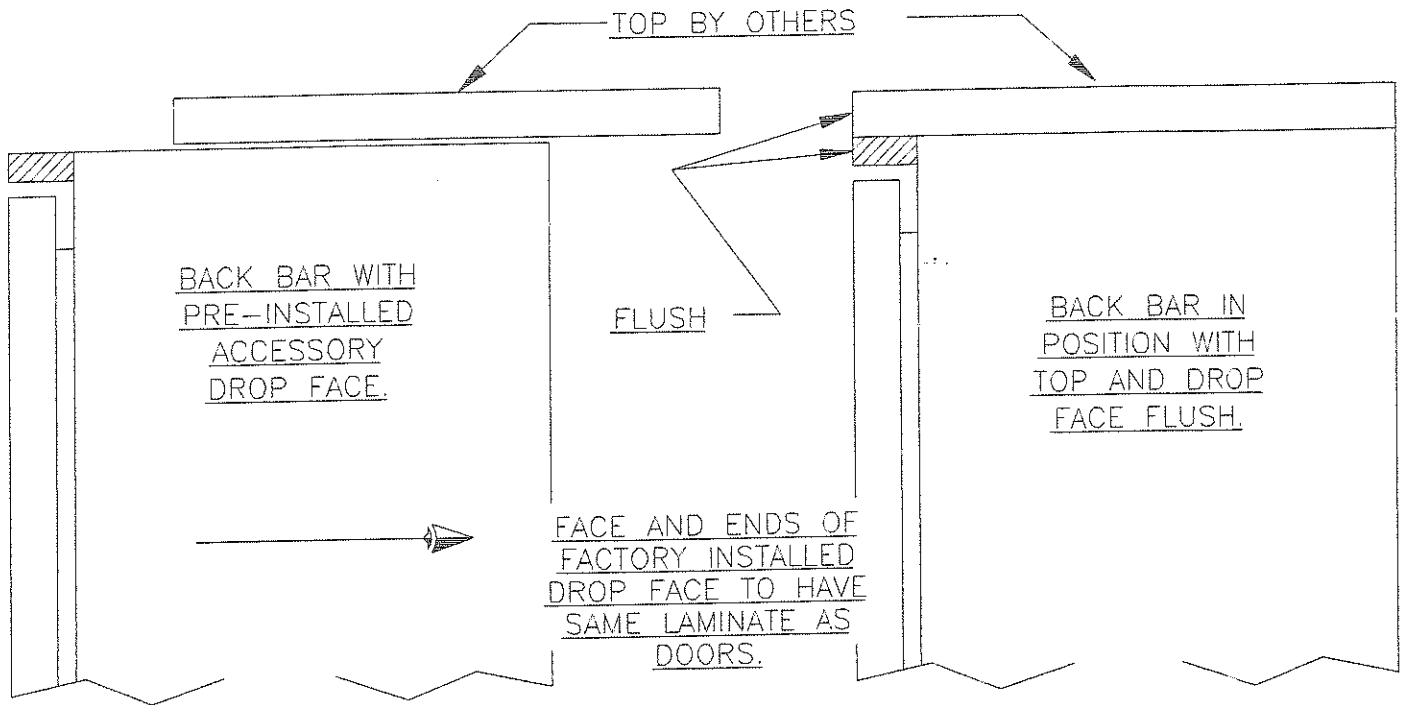
- Take off bottom hinge bracket to remove door. Door will slip free from the hinge bracket at the top of the door. Be careful not to lose ball bearings on the lower hinge. **Note:** Do not remove the top hinge bracket secured to the cabinet.
- Remove door hinges from door (top and bottom).  
**Note:** There are 1/16" shims between hinge brackets at both top and bottom edge of doors. These shims are temporary spacers and can be discarded when high pressure laminate is applied. Reassemble the 1/32" shims located between hinge and door panel on back of door after laminating.
- Remove door handle. Screws are accessible by folding door gasket out of the way.
- Rough up face of door with sandpaper for a better bond.
- Apply high pressure laminate to door face and four edges.
- Reassemble handle. Using a 3/16" diameter drill bit, drill through laminate using existing holes as guides.

# Field Fabricating a Bar Top

We recommend using  $\frac{3}{4}$ " plywood with  $\frac{3}{4}$ " furring strip on front face. Secure to cabinet with screws through predrilled mounting holes in hinge plate.

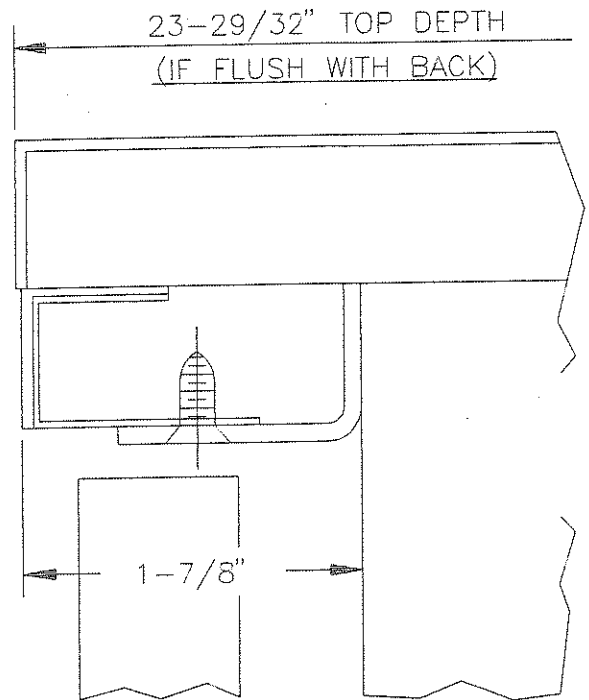


# Installing a Drop Face



POSITION NO. 1

NOTE:  
DROP FACE BRACKET  
FURNISHED WITH 2  
HOLES SO THAT IT  
CAN BE LOCATED  
IN EITHER OF THE  
2 FRONT TO BACK  
POSITIONS SHOWN  
HERE.



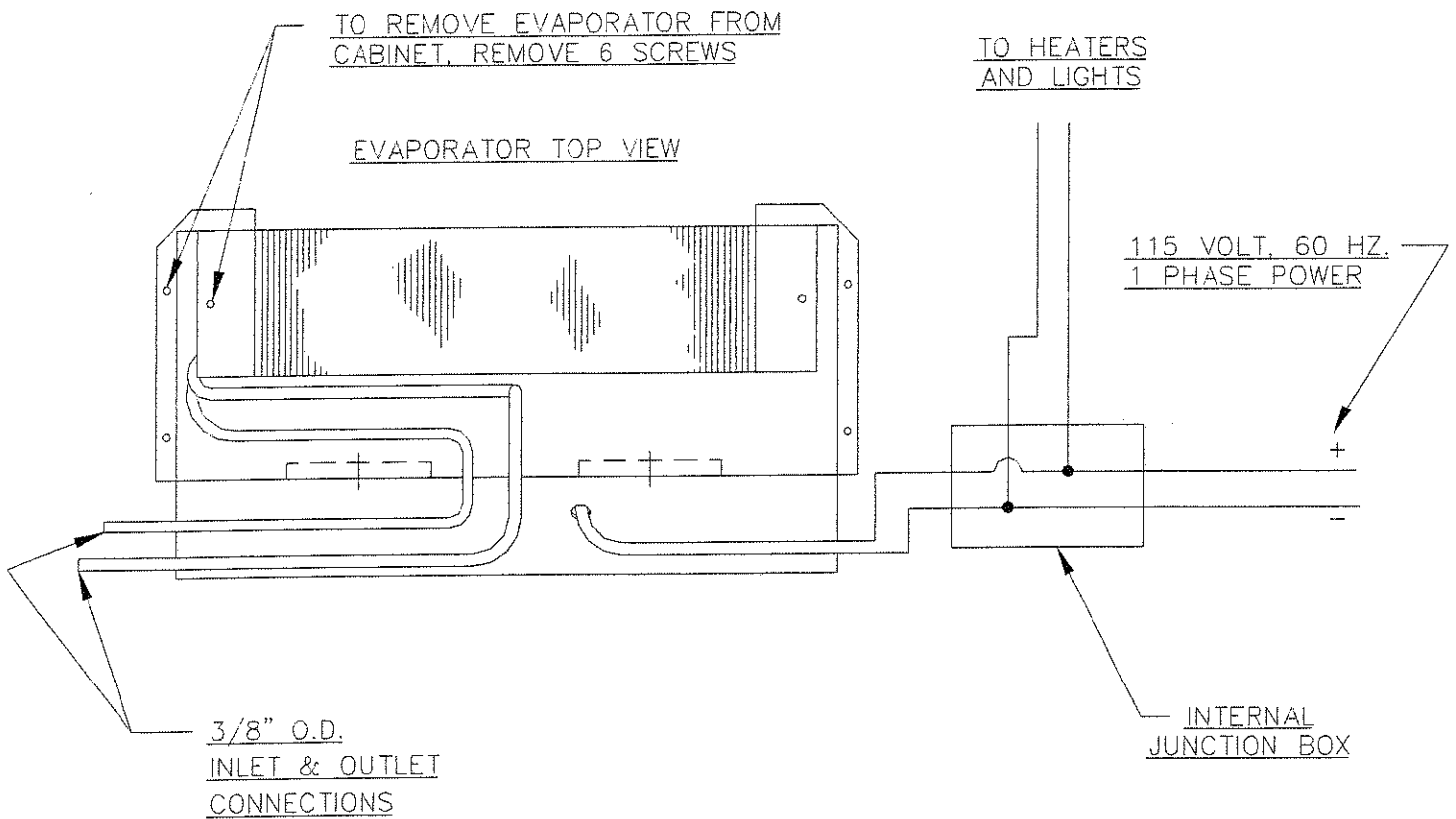
POSITION NO. 2



# Refrigeration Hookup for Remote Back Bars

BACK BAR CABINETS

For Models  
C5063E-C5064E-C5065E  
C5077-C5078-C5079



# Replacement Parts for Back Bars

BACK BAR CABINETS

## Parts for all Model Back Bar Cabinets

### Door Hinge Parts

Part No	Description
C31158	..... Left hinge kit
C31159	..... Right hinge kit

### Shelf Parts

Part No	Description
C22304-2	... Left shelf
C22307-2	... Bottom left shelf
C22306-2	... Center shelf
C22305-2	... Right shelf
C15875	..... Shelf clip

### Miscellaneous Parts

Part No	Description
C15724-1	... Condensate heater

## Parts for all 37" and 32" Self-Contained Back Bar Cabinets

37" Models	32" Models	Description
Part No	Part No.	
C21406L	..... C29361L	..... Left hinged door-laminated
C21405LSS	..... C19363LSS	..... Left hinged door-stainless steel
C21404L	..... C29362L	..... Left hinged door-field laminated
C21406R	..... C29361R	..... Right hinged door-laminated
C21405RSS	..... C29363RSS	..... Right hinged door-stainless steel
C21404R	..... C29362R	..... Right hinged door-field laminated

### Other Door Parts

C19000-1	..... C19000-1	..... Top/bottom breaker strip assy
C18992-1	..... C25166-1	..... Vinyl door gasket
58459	..... 58613	..... Rt. vertical breaker assy. w/switch
C18999-1	..... C25208-1	..... Vertical breaker strip

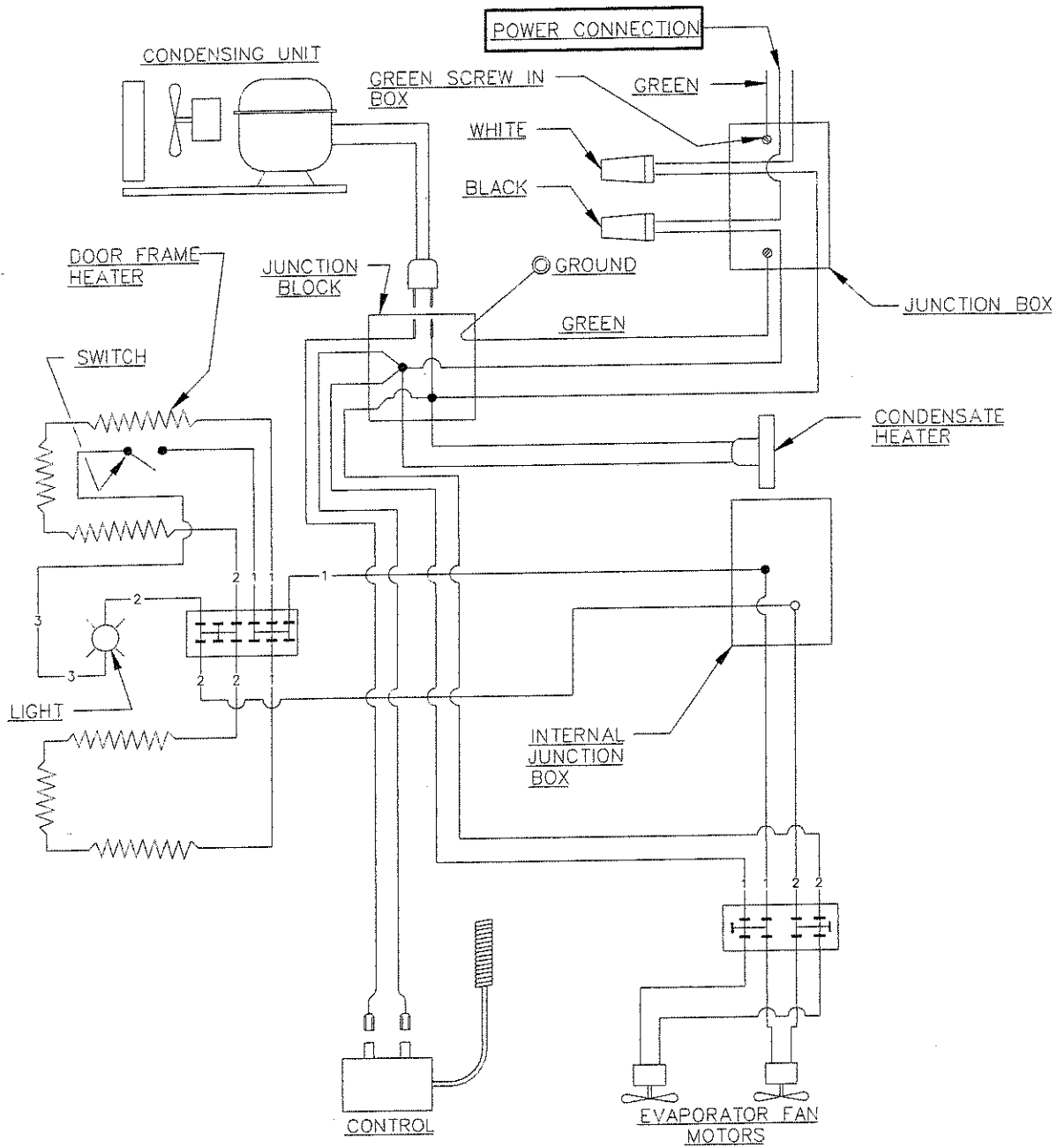
For Two Door	For Three Door	For Four Door	Description
Part No.	Part No.	Part No.	
C25051-1	..... C25053-1	..... C25053-1	..... Evap. drain line - drain left
C15239A	..... C15239A	..... C15239A	..... Evaporator fan motor
C25048-1	..... C25048-1	..... C25050-1	..... Evap. drain line - drain right
57513	..... 57513	..... 57513	..... Condenser fan motor
C14316	..... C14316	..... C14316	..... Evap drain "O" ring
C14649	..... C14649	..... C14649	..... Evaporator fan blade (5 1/2")
C29170EP	..... C29170EP	..... C29176EP	..... Evaporator assembly
C3150-3	..... C3150-3	..... C3150-3	..... Condenser fan blade
C29185EP	..... C29185EP	..... C29186EP	..... Fin coil sub-assy.
57500	..... 57500	..... 57498	..... Compressor
57360	..... 57360	..... 57360	..... Temperature Control

## Parts for all 37" and 32" Remote Back Bar Cabinets

For Two Door	For Three Door	For Four Door	Description
Part No.	Part No.	Part No.	
C25051-1	..... C25053-1	..... C25053-1	..... Evap. drain line - drain left
C25048-1	..... C25048-1	..... C25050-1	..... Evap. drain line - drain right
C15239A	..... C15239A	..... C15239A	..... Evaporator fan motor
C14316	..... C14316	..... C14316	..... Evaporator drain "O" ring
C14649	..... C14649	..... C14649	..... Evaporator fan blade (5 1/2")
C29194-22EP	..... C29194-22EP	..... C29192-22EP	..... Evap. assembly (R22)
C29195-22EP	..... C29195-22EP	..... C29193-22EP	..... Fin coil sub-assy. (R22)

## For Models C5063ESC and C5077SC Two Door Self-Contained

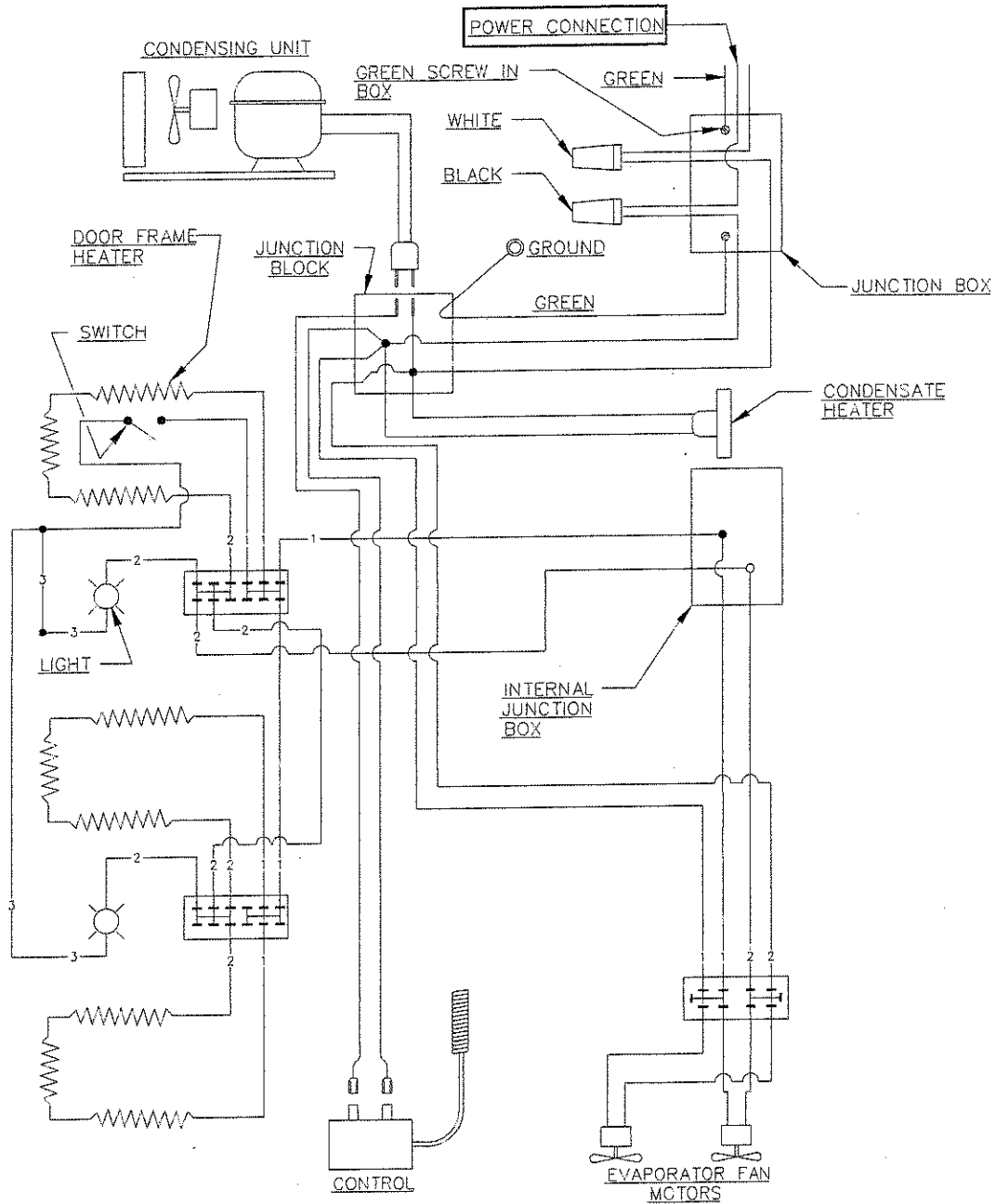
WIRE DIRECT TO POWER SOURCE.  
SEE DATA PLATE FOR  
ELECTRICAL SPECIFICATIONS.



# Wiring Diagrams

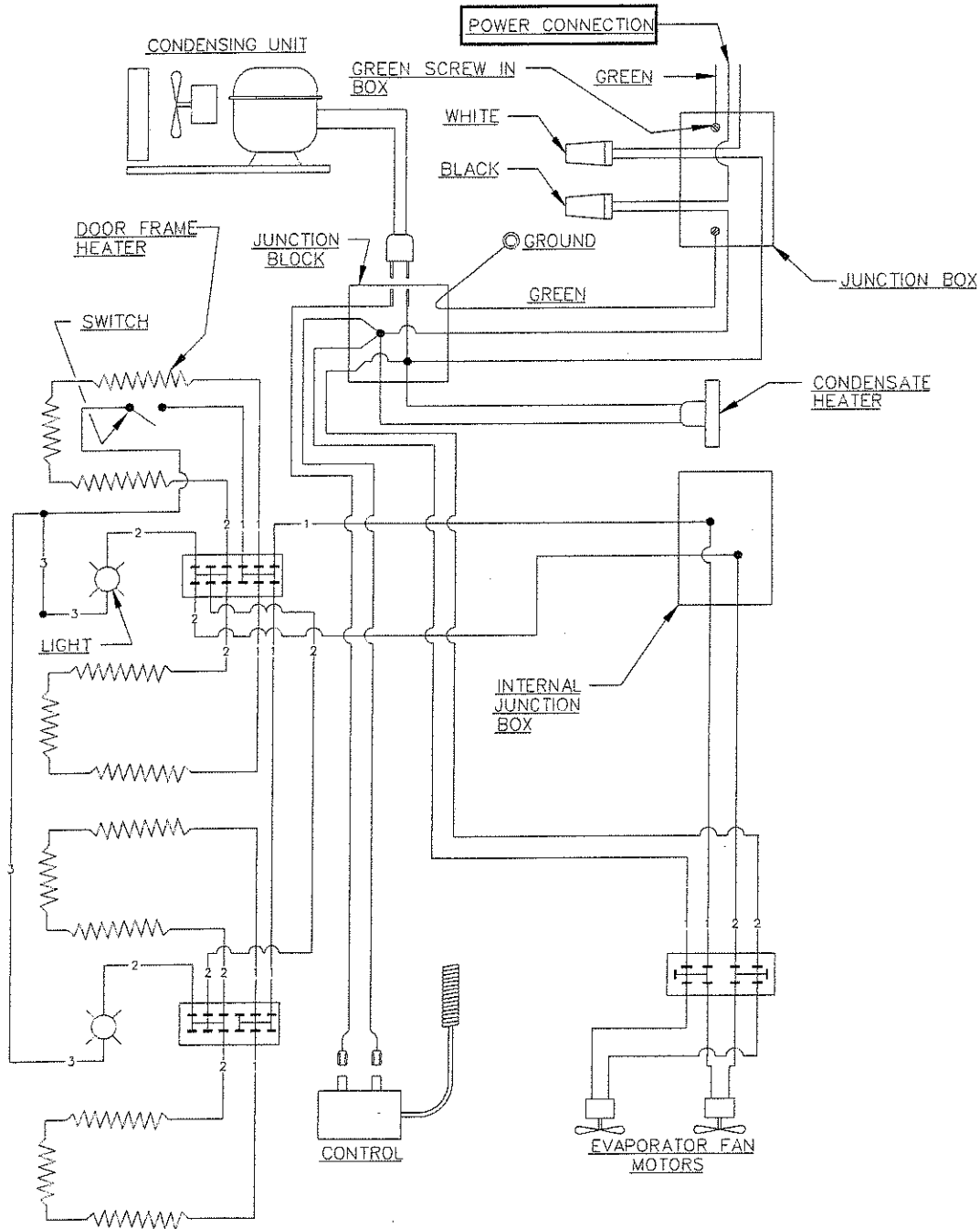
## For Models C5064ESC and C5078SC Three Door Self-Contained

WIRE DIRECT TO POWER SOURCE.  
SEE DATA PLATE FOR  
ELECTRICAL SPECIFICATIONS.



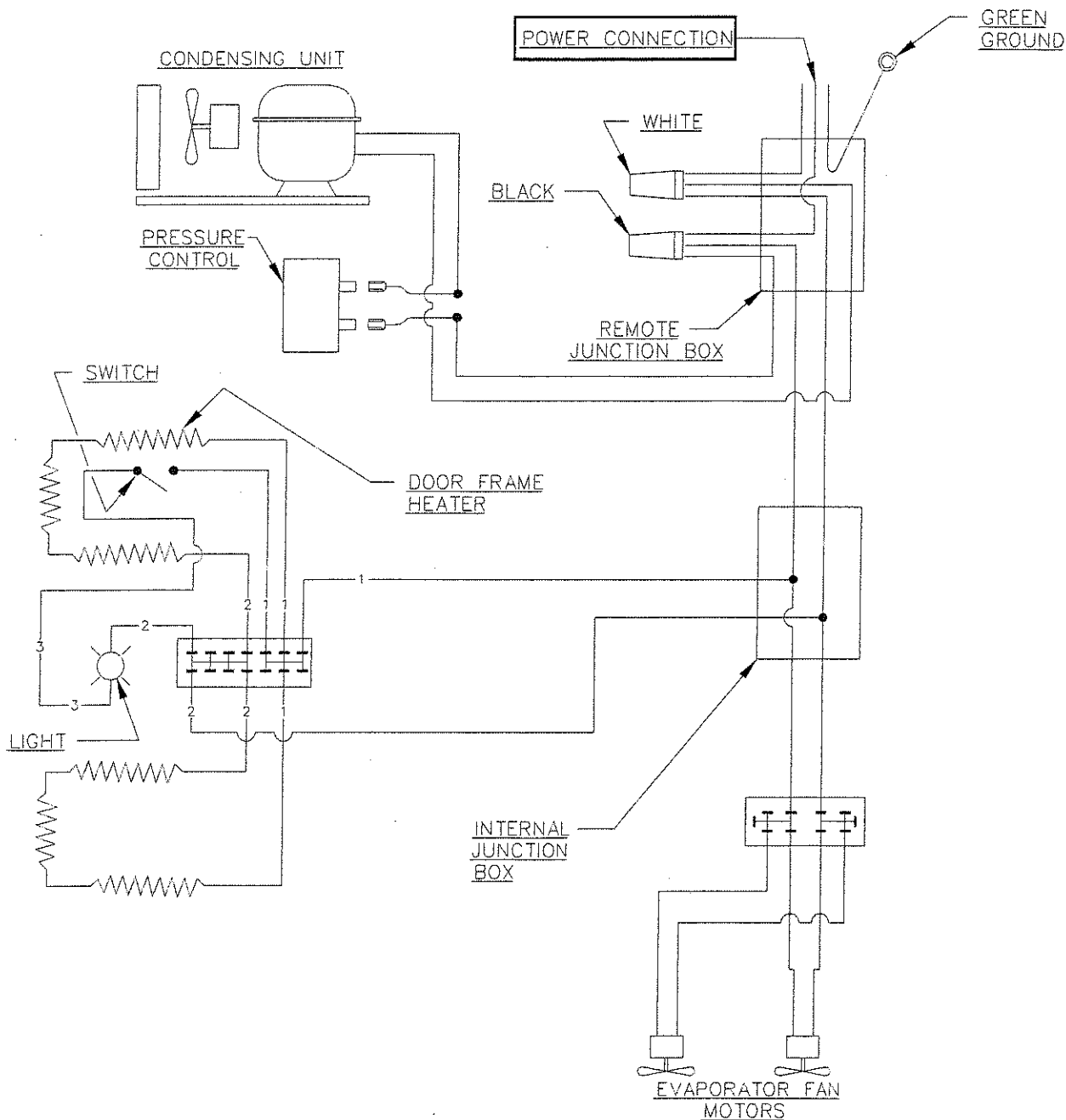
## For Models C5065ESC and C5079SC Four Door Self-Contained

WIRE DIRECT TO POWER SOURCE.  
SEE DATA PLATE FOR  
ELECTRICAL SPECIFICATIONS.



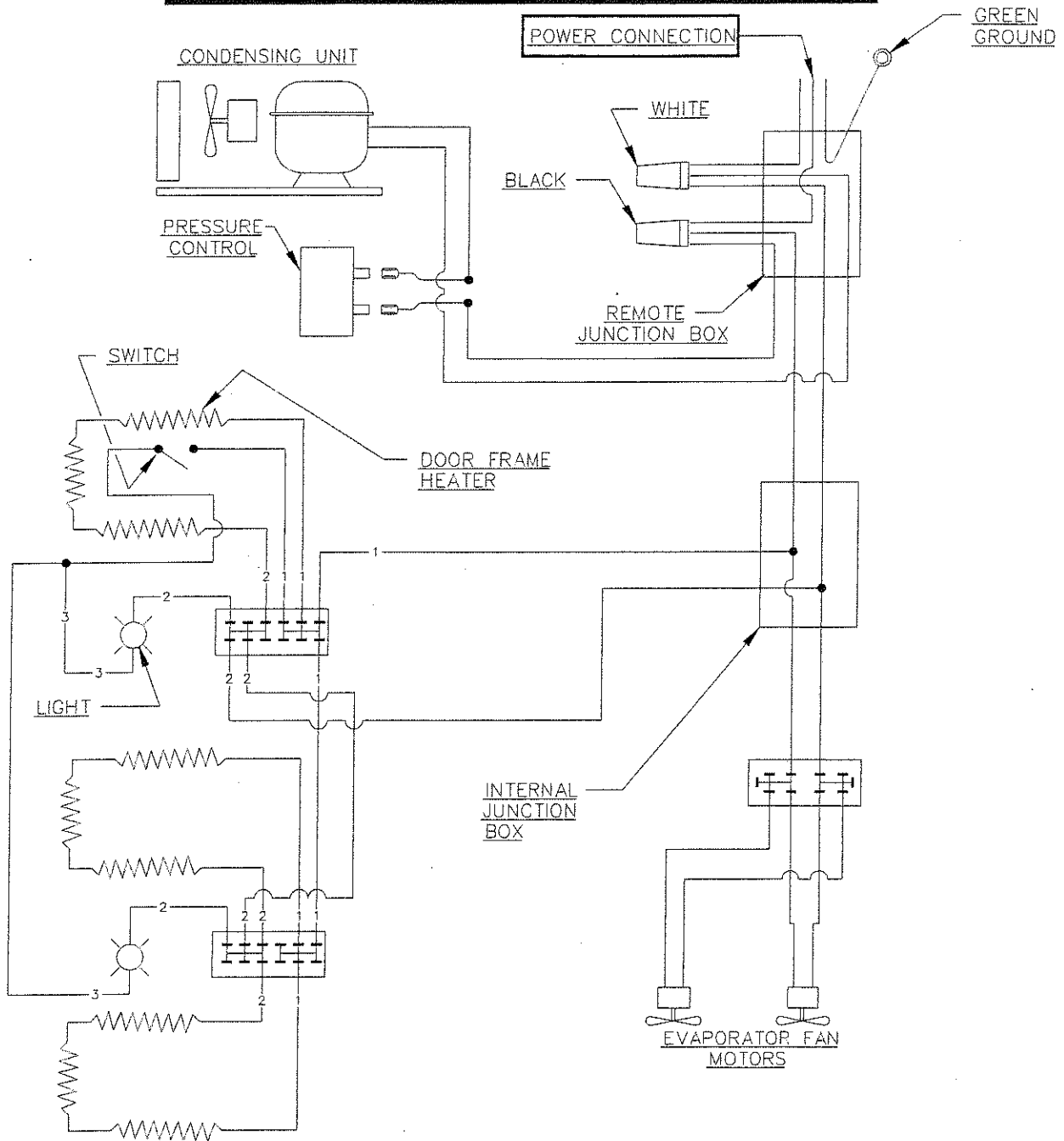
## For Models C5063E and C5077 Two Door - Remote

WIRE DIRECT TO POWER SOURCE.  
SEE DATA PLATE FOR  
ELECTRICAL SPECIFICATIONS.



## For Models C5064E and C5078 Three Door - Remote

WIRE DIRECT TO POWER SOURCE.  
SEE DATA PLATE FOR  
ELECTRICAL SPECIFICATIONS.



## For Models C5065E and C5079 Four Door - Remote

WIRE DIRECT TO POWER SOURCE.  
SEE DATA PLATE FOR  
ELECTRICAL SPECIFICATIONS.

