



**IMPORTANT FOR FUTURE REFERENCE**

Please complete this information and retain this manual for the life of the equipment:

Model #: \_\_\_\_\_

Serial #: \_\_\_\_\_

Date Purchased: \_\_\_\_\_

**PARTS MANUAL**  
For **ELECTRIC MODELS**

E400,E400T,E500D



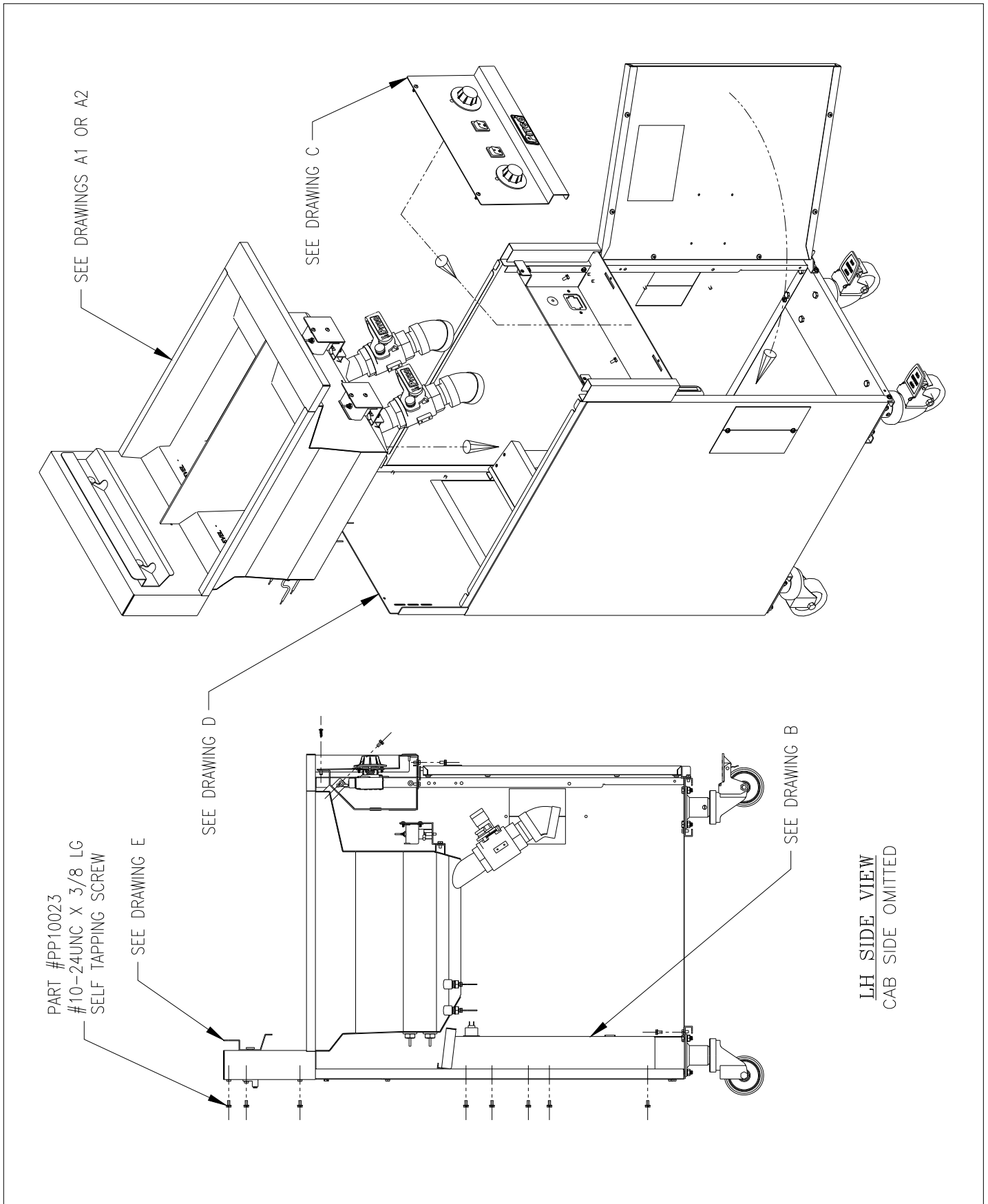
Exploded Parts-Electric Models E400,E400T,E500D

TABLE OF CONTENTS

Fryer Explored .....	2
E400, E400T, Tank Drawing A1 Parts List .....	3
E400, E400T, Tank Drawing A1 .....	4
E500D Tank Drawing A2 Parts List .....	5
E500D Tank Drawing A2 .....	6
Entrance Box Drawing B Parts List.....	7
Entrance Box Drawing B.....	8
Front Bezel Drawing C Parts List.....	9
Front Bezel Drawing C .....	10
Cabinet Drawing D Parts List.....	11
Cabinet Drawing D.....	12
Accessories Drawing E Parts List.....	13
Accessories Drawing E .....	14

This page intentionally left blank

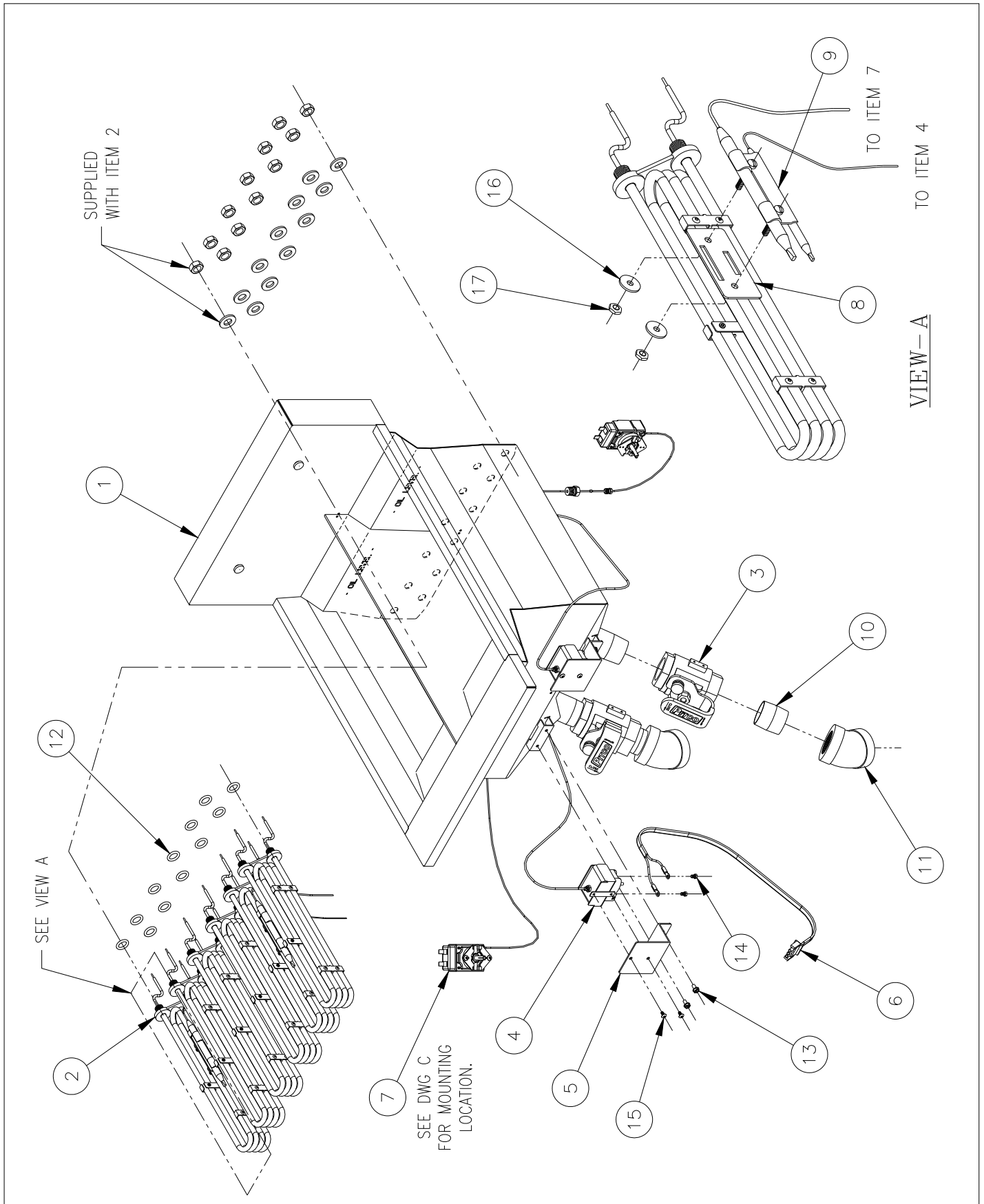
Fryer Explored



## E400, E400T, Tank Drawing A1 Parts List

ITEM #	PART #	PART DESCRIPTION
1	B3325901-C	TANK WELDMENT E400
	B3326001-C	TANK WELDMENT E400T
2	B5309301	ELECTRIC ASSEMBLY ELEMENT 208V 5KW E400
	B5309302	ELECTRIC ASSEMBLY ELEMENT 230V 5KW E400
	B5309303	ELECTRIC ASSEMBLY ELEMENT 230V 7.5KW E400
	B5309304	ELECTRIC ASSEMBLY ELEMENT 208V 2.5KW E400T
	B5309305	ELECTRIC ASSEMBLY ELEMENT 230V 2.5KW E400T
	B5309306	ELECTRIC ASSEMBLY ELEMENT 230V 3.5KW E400T
3	60144401	VALVE BLACK 1-1/4 FULL PORT REVERSIBLE LUG E400
4	PP10084	SWITCH HIGH LIMIT LCHM05030
5	A8036101-C	PIPING HIGH LIMIT BRACKET E400
6	B6745502	WIRING HIGH LIMIT 24VAC SG
7	60014901	THERMOSTAT ELECTRIC KX 200-374F
	60025301	PROBE THERMISTOR 4.97 X 9.53
8	A1407102	CLAMP BULB THERMOSTAT/HIGH LIMIT MID E400
9	A1407202	CLAMP THERMOSTAT/HIGH LIMIT OUTER E400
	A1407302	CLAMP PROBE/HIGH LIMIT OUTER E400
10	P7037450	NIPPLE BLACK 1-1/4 CLOSE
11	P7037725	ELBOW BLACK 45° 1-1/4
12	60068305	O-RING VITON .562"ID X .812"OD
13	PP10023	SCREW 10-24 X 3/8 SELF TAP
14	P0007300	SCREW 8-32 X 1/4 INDENTED HEX HEAD ZN
15	PP10687	SCREW 6-32 X 5/16 TRUSS HEAD PHILLIPS ZN
16	60022903	WASHER FLAT #10 11/16 OD SST
17	60144701	NUT HEX 10-24 SST TOPLOCK

E400, E400T, Tank Drawing A1

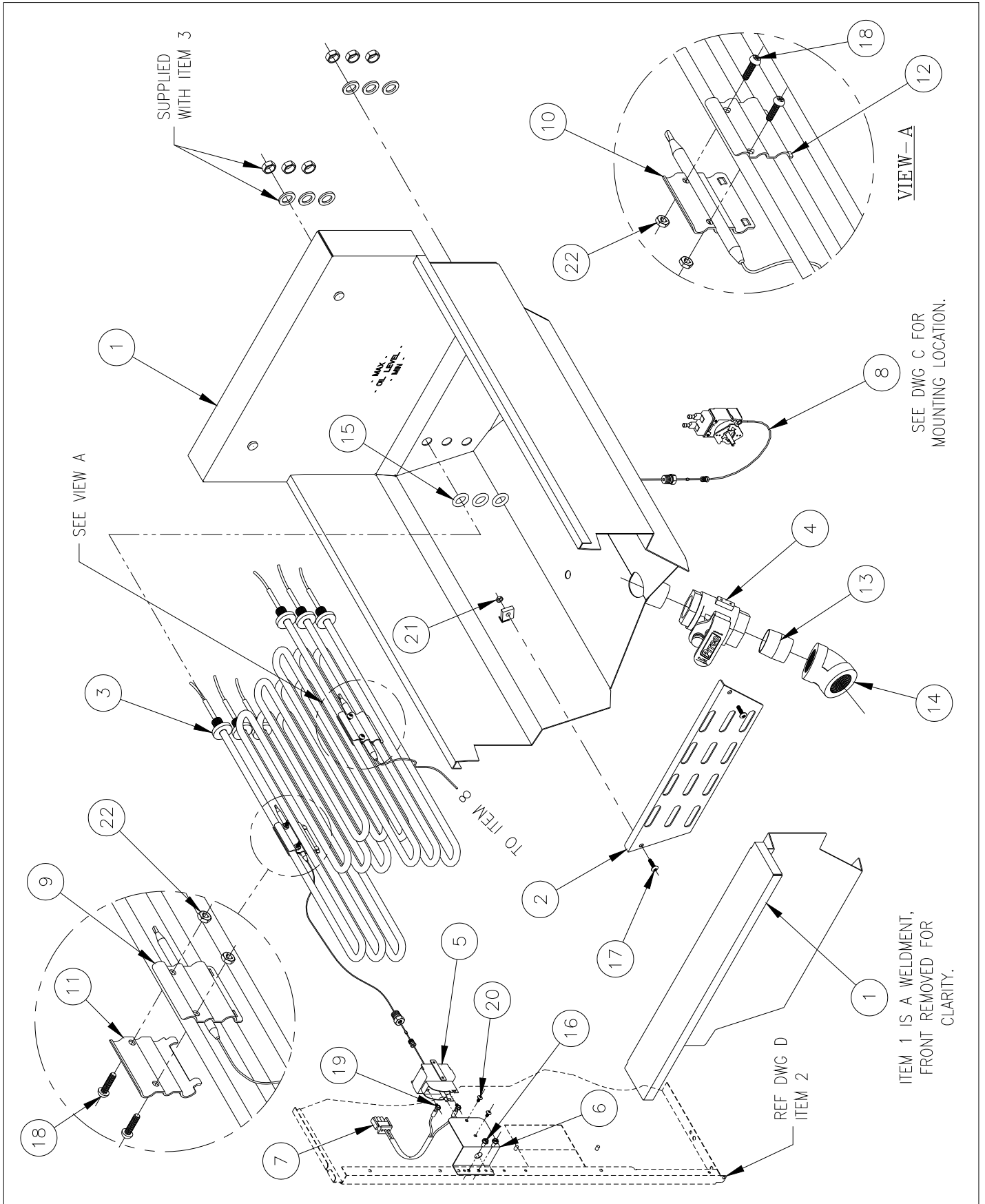


## E500D Tank Drawing A2 Parts List

ITEM #	PART #	PART DESCRIPTION
1	B3327301-C	TANK WELDMENT E500D
2	A3347302-C	TANK ELEMENT SPACER
3	50007001	ELEMENT TUBE 8KW/240 E500D
4	60144401	VALVE BLACK 1-1/4 FULL PORT REVERSIBLE LUG E35
5	PP10084	SWITCH HIGH LIMIT LCHM05030
6	A1815501-C	CABINET BRACKET LIMIT CONTROL 7,12,14,14B
7	B6745502	WIRING HIGH LIMIT 24VAC SG
8	60014901	THERMOSTAT ELECTRIC KX 200-374F
9	A1407502	CLAMP BULB OUTER HIGH LIMIT E500D
10	A1407504	CLAMP BULB OUTER THERMOSTAT E500D
11	A1407602	CLAMP BULB INNER HIGH LIMIT E500D
12	A1407604	CLAMP BULB INNER THERMOSTAT E500D
13	P7037450	NIPPLE BLACK 1-1/4 CLOSE
14	P7037725	ELBOW BLACK 45° 1-1/4
15	60068306	O-RING VITON .688"ID X 1.063"OD
16	PP10023	SCREW 10-24 X 3/8 SELF TAP
17	PP10694	SCREW 10-24 X 3/4 TRUSS HEAD PHILLIPS ZN
18	PP10699	SCREW 10-24 X 3/4 ROUND HEAD PHILLIPS SST
19	P0007300	SCREW 8-32 X 1/4 INDENTED HEX HEAD ZN
20	PP10687	SCREW 6-32 X 5/16 TRUSS HEAD PHILLIPS ZN
21	PP10019	NUT HEX 10-24 SST
22	60144701	NUT HEX 10-24 SST TOPLOCK



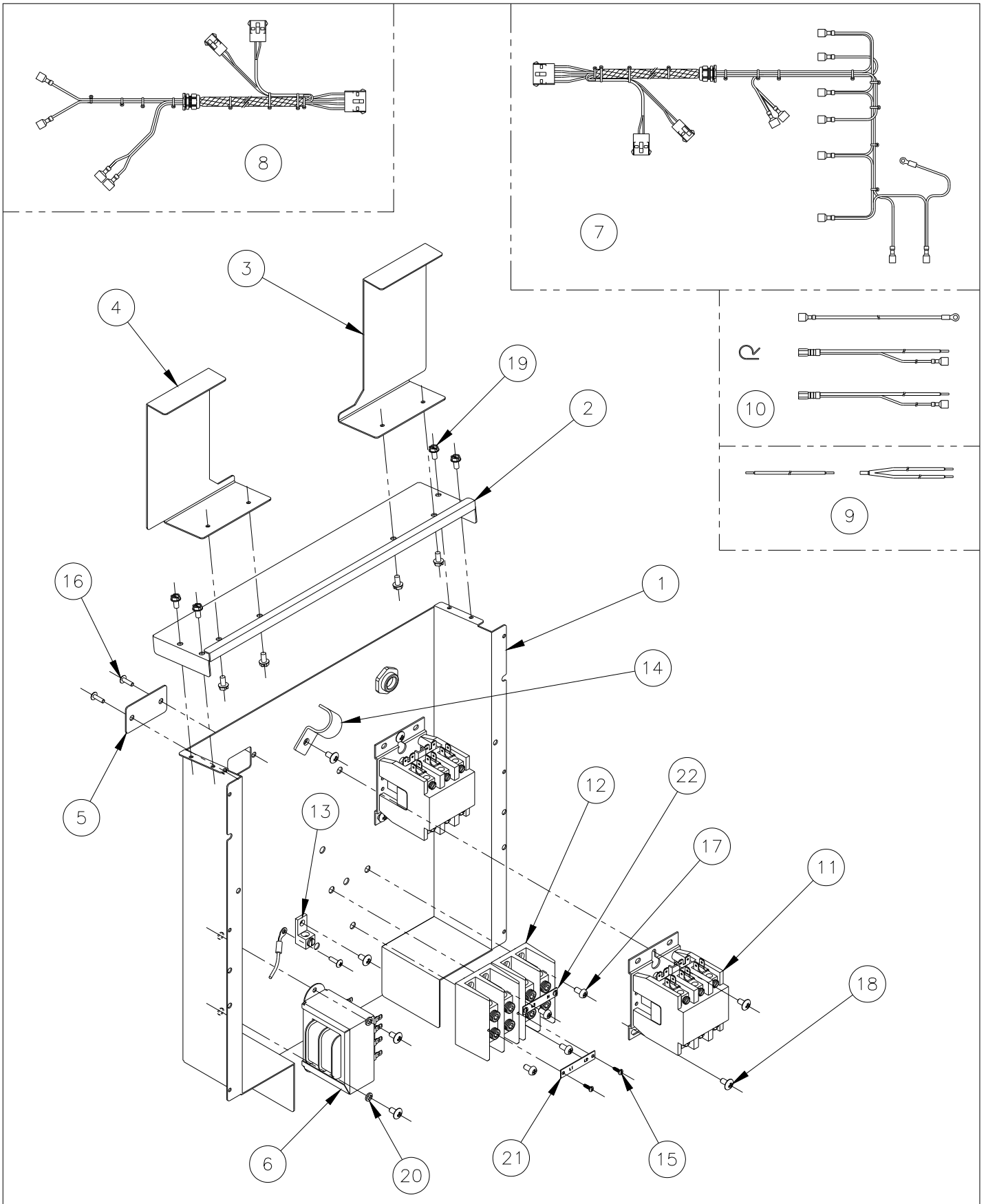
E500D Tank Drawing A2



## Entrance Box Drawing B Parts List

ITEM #	PART #	PART DESCRIPTION
1	B2916001-C	ENTRANCE BOX WELDMENT E400/E500D
	B2916002-C	ENTRANCE BOX WELDMENT E400T
2	A2965301-C	ENTRANCE BOX TOP E400/E500D
	A2965303-C	ENTRANCE BOX TOP E400T
3	A2965201-C	ENTRANCE BOX SPLASH SHIELD LH E400
	A2965701-C	ENTRANCE BOX SPLASH SHIELD LH E500D
4	A2965203-C	ENTRANCE BOX SPLASH SHIELD RH E400
	A2965703-C	ENTRANCE BOX SPLASH SHIELD RH E500D
5	A2965101-C	ENTRANCE BOX OUTLET COVER E400/E400T/E500D
6	PP10429	TRANSFORMER 80VA 120/208/240V TO 24V
7	B6758201	WIRING CONTROL ENTRANCE BOX TO PANEL
8	B6758301	WIRING ENTRANCE BOX TO RIGHT PANEL E400T
9	B6758401	WIRING HIGH VOLTAGE DELTA SINGLE E400
	B6758501	WIRING HIGH VOLTAGE DELTA DUAL E400T
	B6758601	WIRING HIGH VOLTAGE WYE SINGLE E400/E500D
	B6758701	WIRING HIGH VOLTAGE WYE DUAL E400T
10	B6759301	WIRING KIT TRANSFORMER TO MAINS
11	60145501	CONTACTOR 3 POLE 50A 277V RESISTIVE DP
12	P5047301	TERMINAL BLOCK 3 POST ENTRANCE BOX
	P5047302	TERMINAL BLOCK 2 POST ENTRANCE BOX
13	60145301	LUG GROUND ALUM
14	P5045120	PIPE STRAP 1/2
15	PP10605	FASTENER TERMINAL BLOCK LABEL
16	PP10690	SCREW 6-32 X 1/2 TRUSS HEAD PHILLIPS ZN
17	60072101	SCREW 10-24 X 3/8 ROUND HEAD PHILLIPS SST
18	PP10693	SCREW 10-24 X 3/8 TRUSS HEAD PHILLIPS ZN
19	PP10023	SCREW 10-24 X 3/8 SELF TAP
20	P0082400	WASHER LOCK #10 ZN SPLIT
21	P6094940	LABEL MARKING STRIP L1 & L2
	P6094942	LABEL MARKING STRIP L1 TO L3
22	A6043901	LABEL MARKING STRIP L3 & N

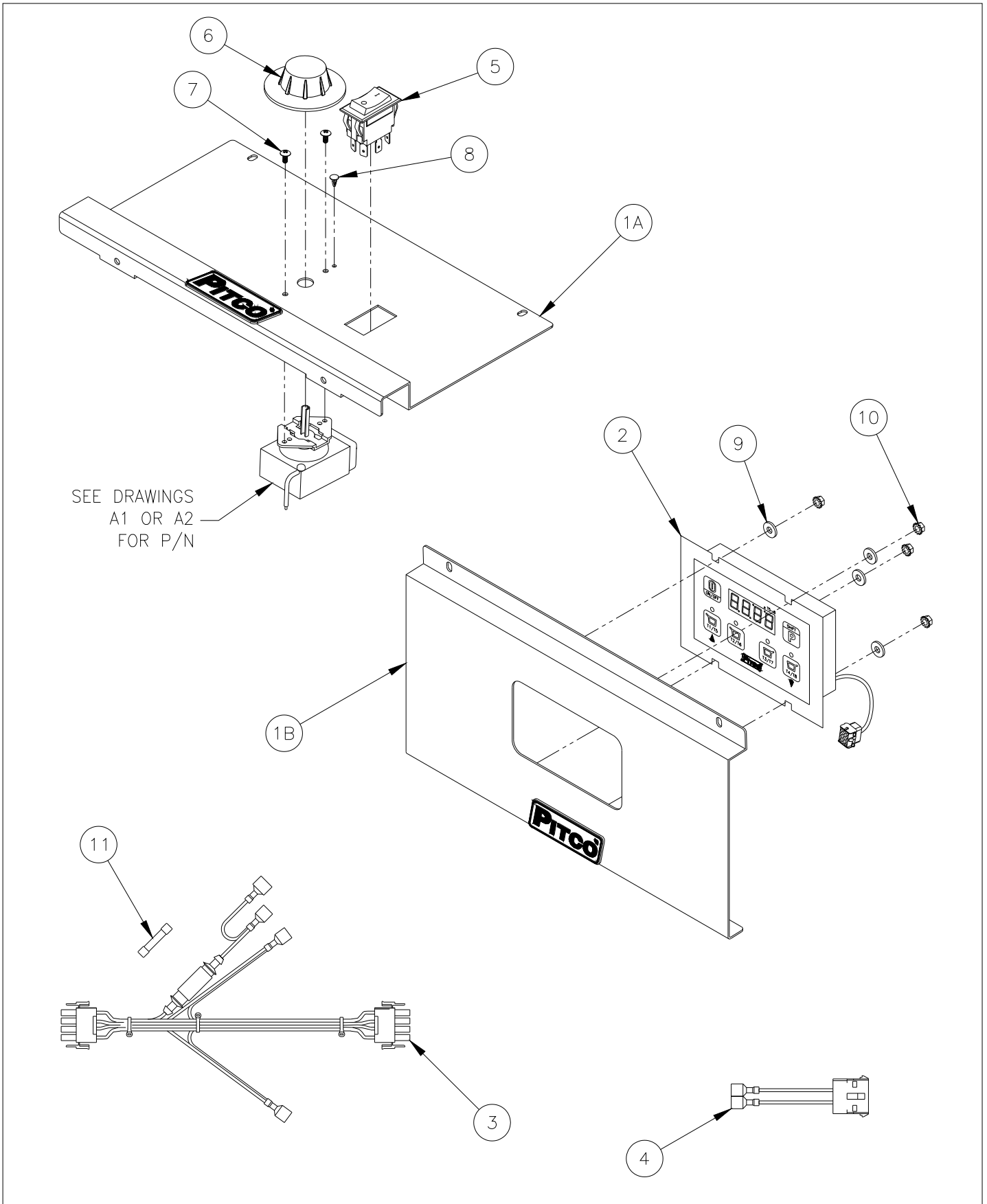
Entrance Box Drawing B



## Front Bezel Drawing C Parts List

ITEM #	PART #	PART DESCRIPTION
1A	A3674002-C	FRONT PANEL BEZEL E400
	A3674004-C	FRONT PANEL BEZEL E400T
	A3674006-C	FRONT PANEL BEZEL E500D
1B	B3634201-C	FRONT PANEL BEZEL WELDMENT E400
	B3634202-C	FRONT PANEL BEZEL WELDMENT E400T
	B3634203-C	FRONT PANEL BEZEL WELDMENT E500D
2	60143802	COMPACT CONTROL DIGITAL RELAY OUTLET
3	B6758101	WIRING CONTROL PANEL E400/E400T/E500D
4	B6758801	WIRING CONTROL BULB THERMOSTAT WIRE E400/E400T/E500D
5	60144801	SWITCH ROCKER SINGLE-POLE SINGLE-THROW W/LAMP 28VAC GRN
6	PP10539	KNOB THERMOSTAT W/OFF 200°-400°F & 100°-200°C
7	PP10687	SCREW 6-32 X 5/16 TRUSS HEAD PHILLIPS ZN
8	P0190700	CLIP CANOE FASTEX
9	P0080601	WASHER FLAT #10
10	P0092300	NUT HEX (KEP) 10-24 ZN
11	60132703	CERAMIC FUSE 2.5 AMP 250VAC FAST ACTING

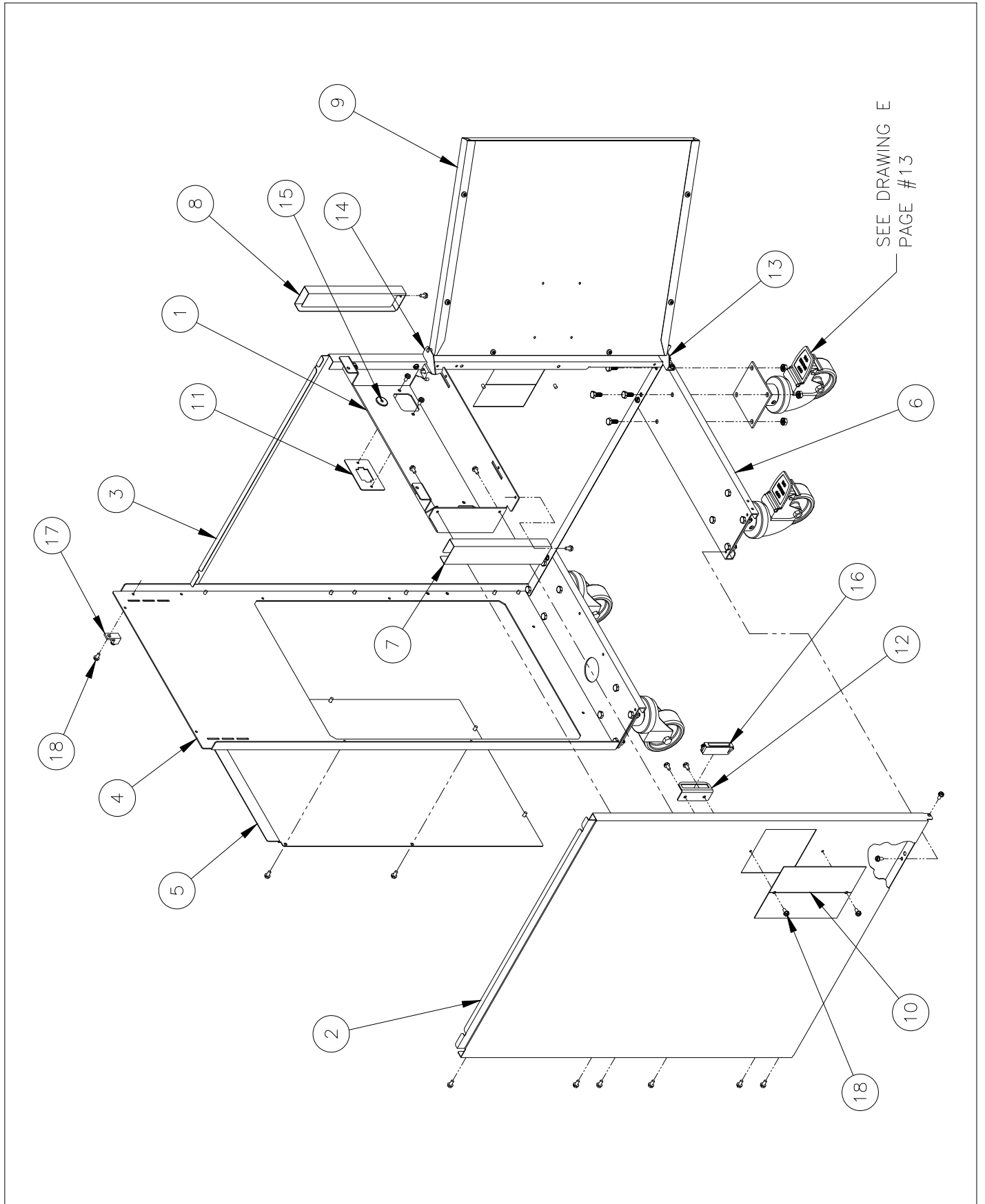
Front Bezel Drawing C



## Cabinet Drawing D Parts List

ITEM #	PART #	PART DESCRIPTION
1	A1848401-C	CABINET SPACER E400
	A1849301-C	CABINET SPACER E500D
2	A1511602-C	CABINET SIDE LH E400
	A1511606-C	CABINET SIDE LH E500D
3	A1511604-C	CABINET SIDE RH E400
	A1511608-C	CABINET SIDE RH E500D
4	A1633701-C	CABINET BACK E400
	A1633703-C	CABINET BACK E500D
5	A1633601-C	CABINET BACK COVER E400/E500D
6	A1234801-C	CABINET BOTTOM BRACE FRONT E400
	A1234803-C	CABINET BOTTOM BRACE FRONT E500D
7	A3674102-C	FRONT PANEL END CAP LH E400/E400T/E500D
8	A3674104-C	FRONT PANEL END CAP RH E400/E400T/E500D
9	B2304606-C	DOOR ASSEMBLY E400/E400T
	B2304609-C	DOOR ASSEMBLY E500D
10	A6613102-C	FILTER CABINET COVER DRAIN LINE
11	A2036001-C	CONTROL BOX RECEPTACLE PLATE E400/E400T/E500D
	A2036003-C	CONTROL BOX RECEPTACLE PLATE COVER E400 (BLANK)
12	A1847002	BRACKET MAGNETIC CATCH
13	B3802501	HINGE WELDMENT BOTTOM E400/E500D
14	B3802401	HINGE WELDMENT UPPER RH
15	P6071224	GROMMET .19 ID X .88 OD X .63 GROOVE
	P6071490	HOLE PLUG 7/8 CHROME PLATED
16	P6071300	CATCH MAGNET STANDARD
17	60145301	LUG GROUND ALUM
18	PP10023	SCREW 10-24 X 3/8 SELF TAP

Cabinet Drawing D

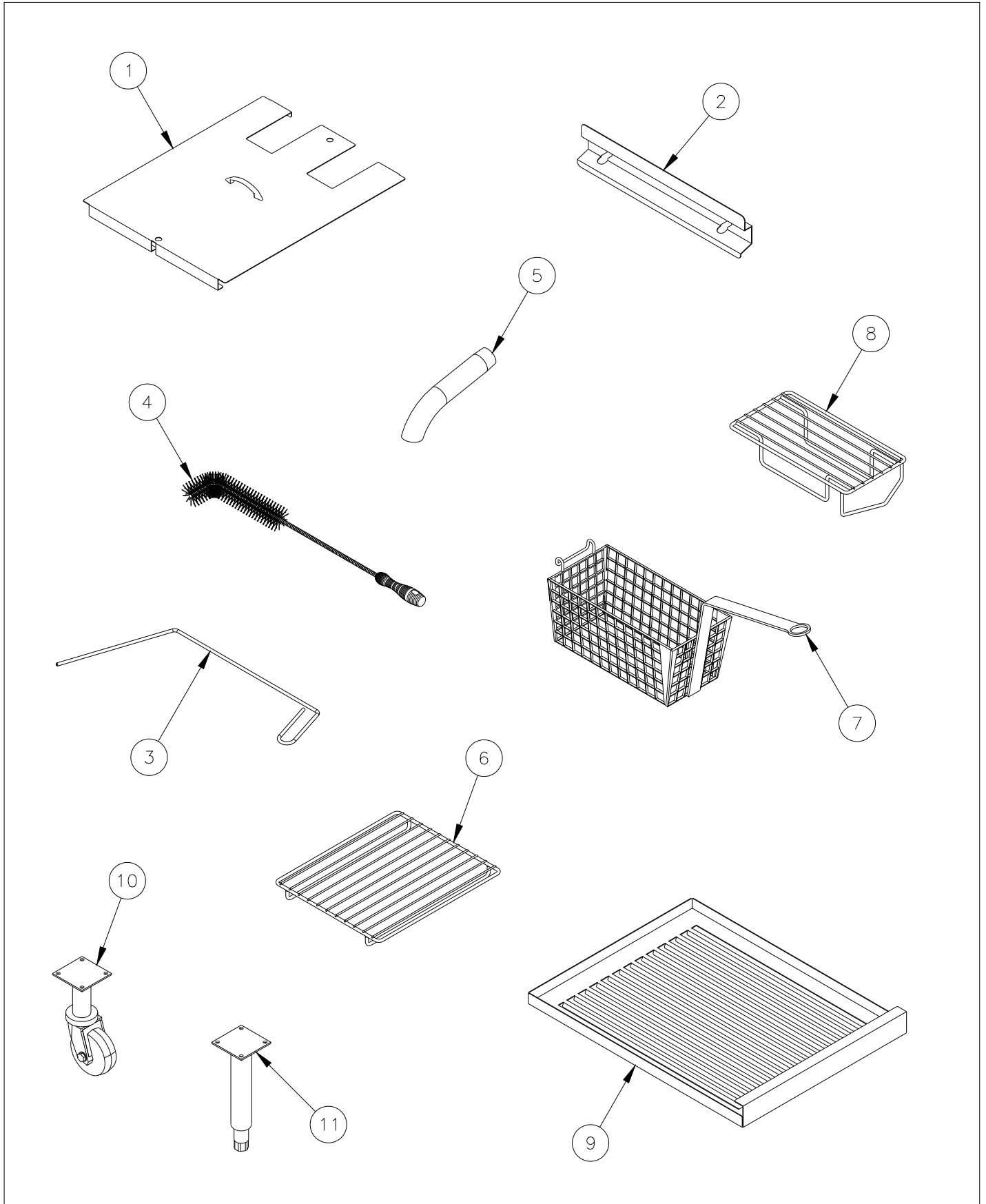


## Accessories Drawing E Parts List

<b>ITEM #</b>	<b>PART #</b>	<b>PART DESCRIPTION</b>
1	B2101508-C	TANK COVER ASSEMBLY E400/E400T
2	A1106102-C	BASKET HANGER E400/E400T
	A1106104-C	BASKET HANGER E500D
3	A3301001	ROD CLEAN OUT
4	PP10056	BRUSH NYLON FRYER-CLEANER L 417T-2
5	A2510101	TANK FITTING NIPPLE DRAIN OUT 1.25 CURVED
6	A4514301	WIRE GOODS RACK TUBE E400
7	P6072145	BASKET W/COATED HANDLE E400/E400T
8	A4514401	WIRE GOODS RACK TUBE LH SD E400T
	A4514402	WIRE GOODS RACK TUBE RH SD E400T
9	A5071202-C	ACCESSORIES FISH GRID E500D
10	B3901501	CASTER 6 SET W/HARDWARE
	PP10808	CASTER SWIVEL 6 NON-LOCKING
	PP10809	CASTER SWIVEL 6 LOCKING
11	B3900701	LEG SET W/HARDWARE 6 (4-PACK)
	B3900909	LEG ADJUST-6 SST



Accessories Drawing E



This page intentionally left blank

This page intentionally left blank

In the event of problems with or questions about your order, please contact the Pitco Frialator factory at (800)258-3708 US and Canada only  
(603)225-6684 World Wide

In the event of problems with or questions about your equipment, please contact the Pitco Frialator Authorized Service and Parts representative (ASAP) covering your area, or contact Pitco at the numbers listed to the left.

MAILING ADDRESS – P.O. BOX 501, CONCORD, NH 03302-0501  
SHIPPING ADDRESS – 10 FERRY ST., CONCORD, NH 03301