



**IMPORTANT FOR FUTURE REFERENCE**

Please complete this information and retain this manual for the life of the equipment:

Model #: \_\_\_\_\_

Serial #: \_\_\_\_\_

Date Purchased: \_\_\_\_\_

**PARTS MANUAL**  
For **ELECTRIC MODELS**

E400,E400T,E500D



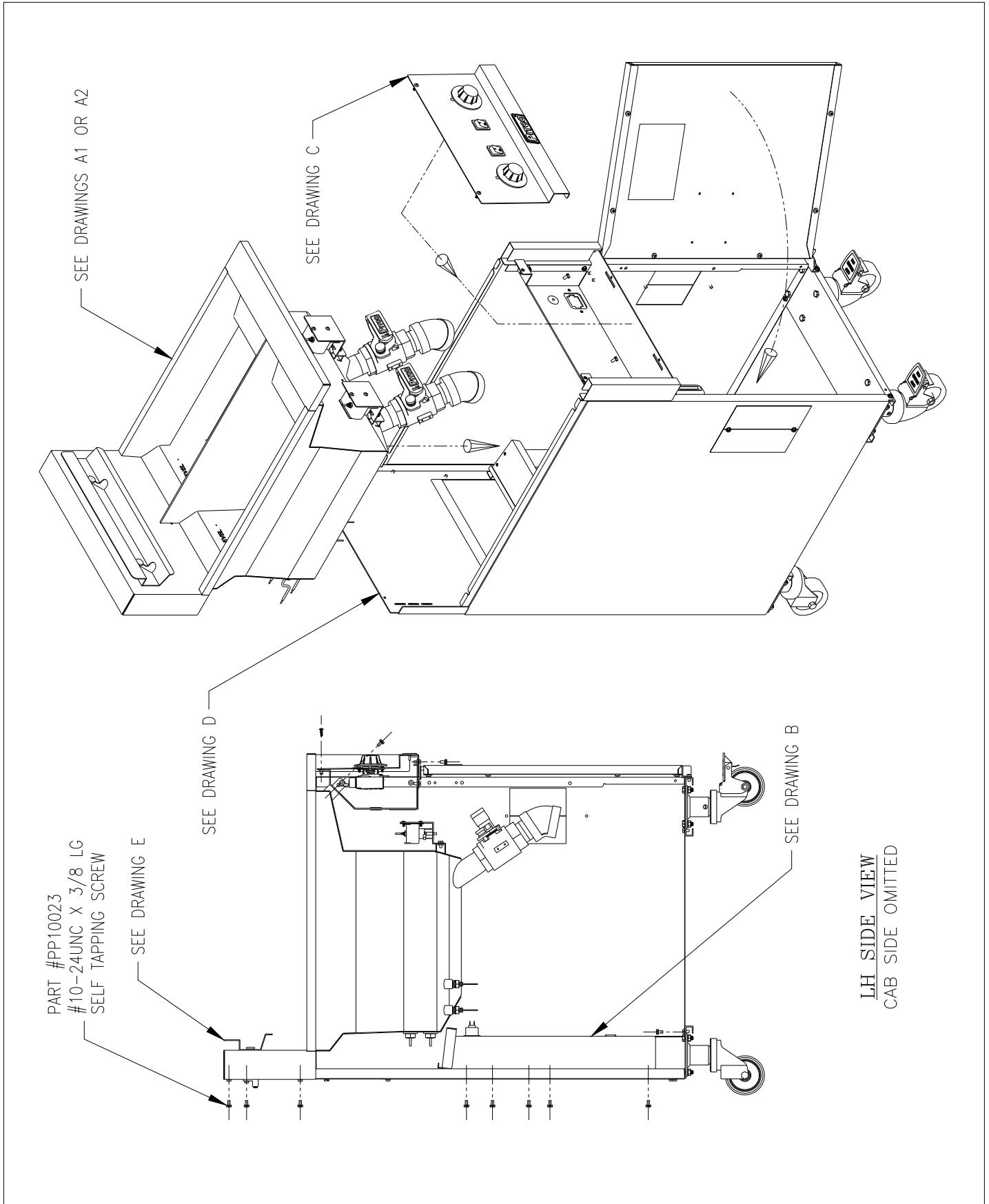
Exploded Parts-Electric Models E400,E400T,E500D

TABLE OF CONTENTS

|   |    |
|---|----|
| Fryer Explored .....                          | 2  |
| E400, E400T, Tank Drawing A1 Parts List ..... | 3  |
| E400, E400T, Tank Drawing A1 .....            | 4  |
| E500D Tank Drawing A2 Parts List .....        | 5  |
| E500D Tank Drawing A2 .....                   | 6  |
| Entrance Box Drawing B Parts List.....        | 7  |
| Entrance Box Drawing B.....                   | 8  |
| Front Bezel Drawing C Parts List.....         | 9  |
| Front Bezel Drawing C .....                   | 10 |
| Cabinet Drawing D Parts List.....             | 11 |
| Cabinet Drawing D.....                        | 12 |
| Accessories Drawing E Parts List.....         | 13 |
| Accessories Drawing E .....                   | 14 |

This page intentionally left blank

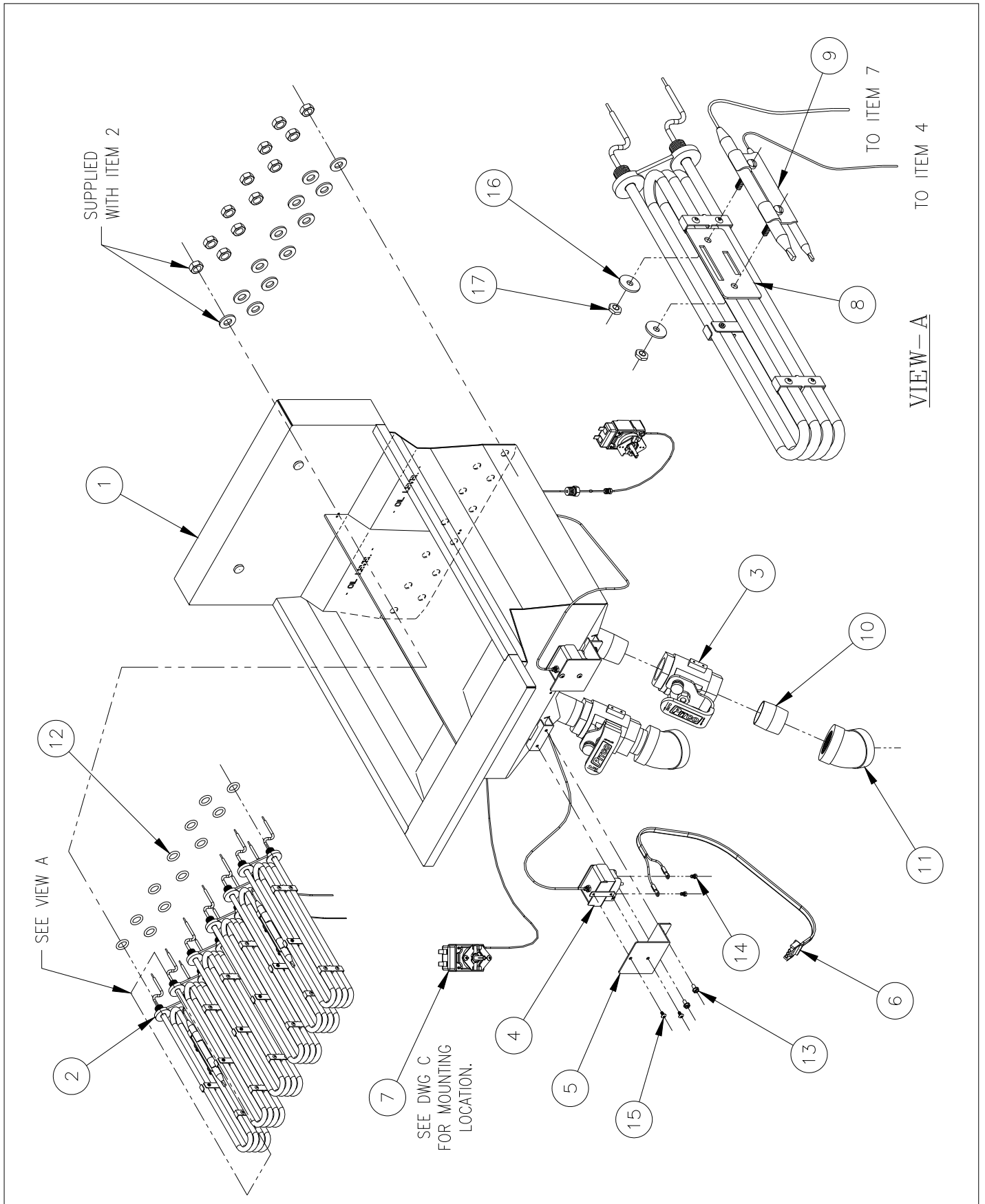
Fryer Explored



## E400, E400T, Tank Drawing A1 Parts List

| ITEM # | PART #     | PART DESCRIPTION                                |
|--------|------------|---|
| 1      | B3325901-C | TANK WELDMENT E400                              |
|        | B3326001-C | TANK WELDMENT E400T                             |
| 2      | B5309301   | ELECTRIC ASSEMBLY ELEMENT 208V 5KW E400         |
|        | B5309302   | ELECTRIC ASSEMBLY ELEMENT 230V 5KW E400         |
|        | B5309303   | ELECTRIC ASSEMBLY ELEMENT 230V 7.5KW E400       |
|        | B5309304   | ELECTRIC ASSEMBLY ELEMENT 208V 2.5KW E400T      |
|        | B5309305   | ELECTRIC ASSEMBLY ELEMENT 230V 2.5KW E400T      |
|        | B5309306   | ELECTRIC ASSEMBLY ELEMENT 230V 3.5KW E400T      |
| 3      | 60144401   | VALVE BLACK 1-1/4 FULL PORT REVERSIBLE LUG E400 |
| 4      | PP10084    | SWITCH HIGH LIMIT LCHM05030                     |
| 5      | A8036101-C | PIPING HIGH LIMIT BRACKET E400                  |
| 6      | B6745502   | WIRING HIGH LIMIT 24VAC SG                      |
| 7      | 60014901   | THERMOSTAT ELECTRIC KX 200-374F                 |
|        | 60025301   | PROBE THERMISTOR 4.97 X 9.53                    |
| 8      | A1407102   | CLAMP BULB THERMOSTAT/HIGH LIMIT MID E400       |
| 9      | A1407202   | CLAMP THERMOSTAT/HIGH LIMIT OUTER E400          |
|        | A1407302   | CLAMP PROBE/HIGH LIMIT OUTER E400               |
| 10     | P7037450   | NIPPLE BLACK 1-1/4 CLOSE                        |
| 11     | P7037725   | ELBOW BLACK 45° 1-1/4                           |
| 12     | 60068305   | O-RING VITON .562"ID X .812"OD                  |
| 13     | PP10023    | SCREW 10-24 X 3/8 SELF TAP                      |
| 14     | P0007300   | SCREW 8-32 X 1/4 INDENTED HEX HEAD ZN           |
| 15     | PP10687    | SCREW 6-32 X 5/16 TRUSS HEAD PHILLIPS ZN        |
| 16     | 60022903   | WASHER FLAT #10 11/16 OD SST                    |
| 17     | 60144701   | NUT HEX 10-24 SST TOPLOCK                       |

E400, E400T, Tank Drawing A1

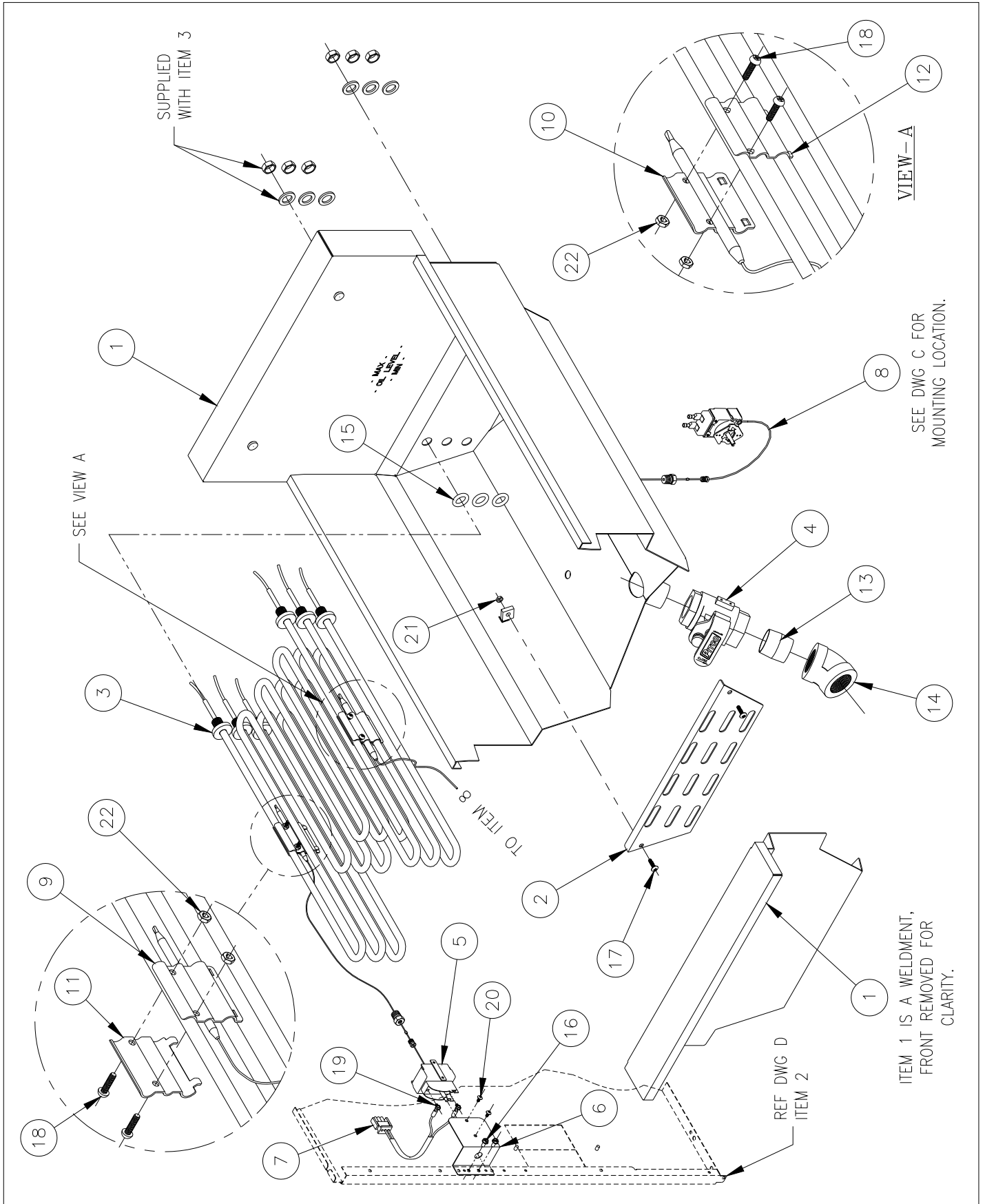


## E500D Tank Drawing A2 Parts List

| ITEM # | PART #     | PART DESCRIPTION                               |
|--------|------------|--|
| 1      | B3327301-C | TANK WELDMENT E500D                            |
| 2      | A3347302-C | TANK ELEMENT SPACER                            |
| 3      | 50007001   | ELEMENT TUBE 8KW/240 E500D                     |
| 4      | 60144401   | VALVE BLACK 1-1/4 FULL PORT REVERSIBLE LUG E35 |
| 5      | PP10084    | SWITCH HIGH LIMIT LCHM05030                    |
| 6      | A1815501-C | CABINET BRACKET LIMIT CONTROL 7,12,14,14B      |
| 7      | B6745502   | WIRING HIGH LIMIT 24VAC SG                     |
| 8      | 60014901   | THERMOSTAT ELECTRIC KX 200-374F                |
| 9      | A1407502   | CLAMP BULB OUTER HIGH LIMIT E500D              |
| 10     | A1407504   | CLAMP BULB OUTER THERMOSTAT E500D              |
| 11     | A1407602   | CLAMP BULB INNER HIGH LIMIT E500D              |
| 12     | A1407604   | CLAMP BULB INNER THERMOSTAT E500D              |
| 13     | P7037450   | NIPPLE BLACK 1-1/4 CLOSE                       |
| 14     | P7037725   | ELBOW BLACK 45° 1-1/4                          |
| 15     | 60068306   | O-RING VITON .688"ID X 1.063"OD                |
| 16     | PP10023    | SCREW 10-24 X 3/8 SELF TAP                     |
| 17     | PP10694    | SCREW 10-24 X 3/4 TRUSS HEAD PHILLIPS ZN       |
| 18     | PP10699    | SCREW 10-24 X 3/4 ROUND HEAD PHILLIPS SST      |
| 19     | P0007300   | SCREW 8-32 X 1/4 INDENTED HEX HEAD ZN          |
| 20     | PP10687    | SCREW 6-32 X 5/16 TRUSS HEAD PHILLIPS ZN       |
| 21     | PP10019    | NUT HEX 10-24 SST                              |
| 22     | 60144701   | NUT HEX 10-24 SST TOPLOCK                      |



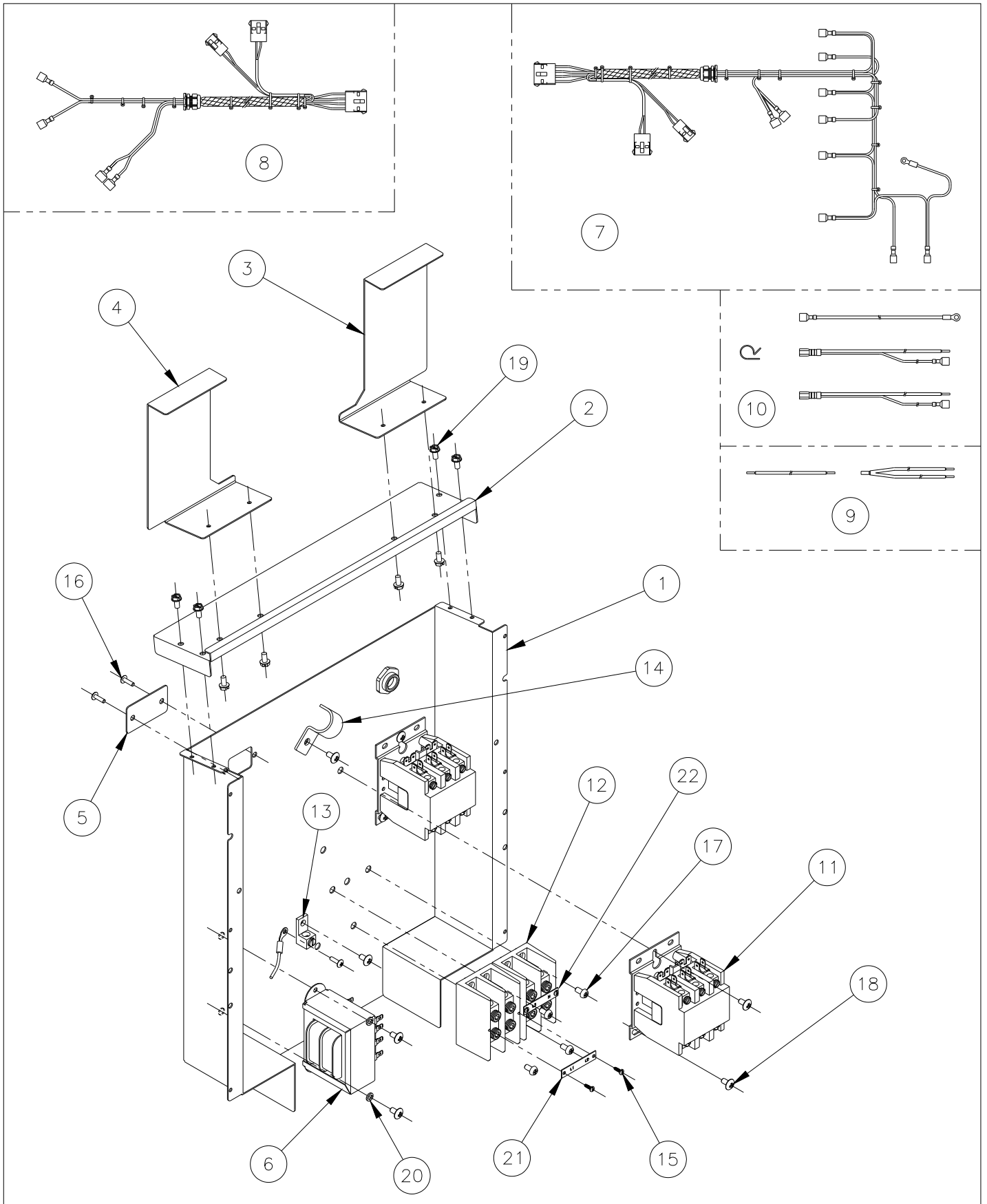
E500D Tank Drawing A2



## Entrance Box Drawing B Parts List

| ITEM # | PART #     | PART DESCRIPTION                           |
|--------|------------|--|
| 1      | B2916001-C | ENTRANCE BOX WELDMENT E400/E500D           |
|        | B2916002-C | ENTRANCE BOX WELDMENT E400T                |
| 2      | A2965301-C | ENTRANCE BOX TOP E400/E500D                |
|        | A2965303-C | ENTRANCE BOX TOP E400T                     |
| 3      | A2965201-C | ENTRANCE BOX SPLASH SHIELD LH E400         |
|        | A2965701-C | ENTRANCE BOX SPLASH SHIELD LH E500D        |
| 4      | A2965203-C | ENTRANCE BOX SPLASH SHIELD RH E400         |
|        | A2965703-C | ENTRANCE BOX SPLASH SHIELD RH E500D        |
| 5      | A2965101-C | ENTRANCE BOX OUTLET COVER E400/E400T/E500D |
| 6      | PP10429    | TRANSFORMER 80VA 120/208/240V TO 24V       |
| 7      | B6758201   | WIRING CONTROL ENTRANCE BOX TO PANEL       |
| 8      | B6758301   | WIRING ENTRANCE BOX TO RIGHT PANEL E400T   |
| 9      | B6758401   | WIRING HIGH VOLTAGE DELTA SINGLE E400      |
|        | B6758501   | WIRING HIGH VOLTAGE DELTA DUAL E400T       |
|        | B6758601   | WIRING HIGH VOLTAGE WYE SINGLE E400/E500D  |
|        | B6758701   | WIRING HIGH VOLTAGE WYE DUAL E400T         |
| 10     | B6759301   | WIRING KIT TRANSFORMER TO MAINS            |
| 11     | 60145501   | CONTACTOR 3 POLE 50A 277V RESISTIVE DP     |
| 12     | P5047301   | TERMINAL BLOCK 3 POST ENTRANCE BOX         |
|        | P5047302   | TERMINAL BLOCK 2 POST ENTRANCE BOX         |
| 13     | 60145301   | LUG GROUND ALUM                            |
| 14     | P5045120   | PIPE STRAP 1/2                             |
| 15     | PP10605    | FASTENER TERMINAL BLOCK LABEL              |
| 16     | PP10690    | SCREW 6-32 X 1/2 TRUSS HEAD PHILLIPS ZN    |
| 17     | 60072101   | SCREW 10-24 X 3/8 ROUND HEAD PHILLIPS SST  |
| 18     | PP10693    | SCREW 10-24 X 3/8 TRUSS HEAD PHILLIPS ZN   |
| 19     | PP10023    | SCREW 10-24 X 3/8 SELF TAP                 |
| 20     | P0082400   | WASHER LOCK #10 ZN SPLIT                   |
| 21     | P6094940   | LABEL MARKING STRIP L1 & L2                |
|        | P6094942   | LABEL MARKING STRIP L1 TO L3               |
| 22     | A6043901   | LABEL MARKING STRIP L3 & N                 |

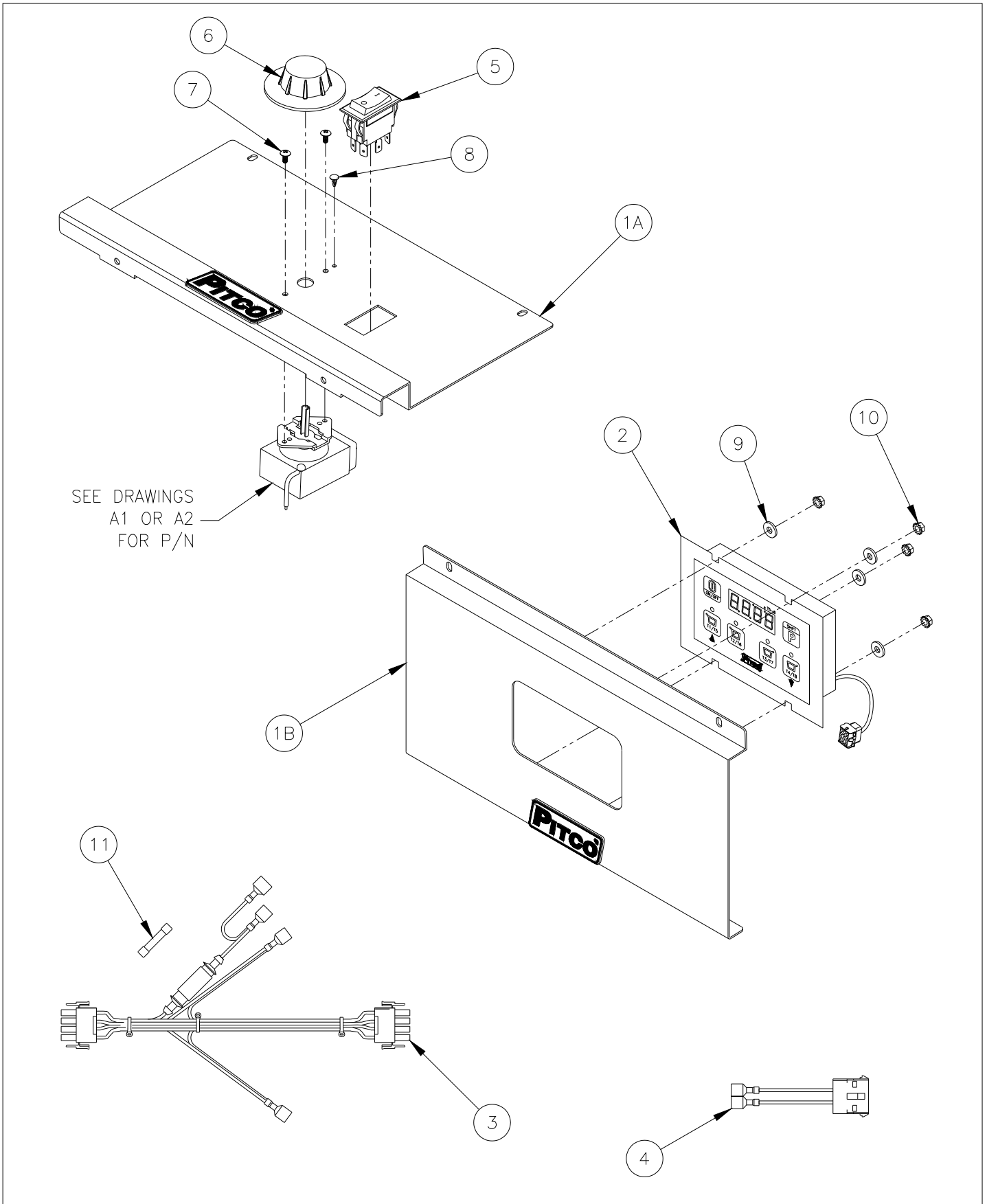
Entrance Box Drawing B



## Front Bezel Drawing C Parts List

| ITEM # | PART #     | PART DESCRIPTION  |
|--------|------------|---|
| 1A     | A3674002-C | FRONT PANEL BEZEL E400                                  |
|        | A3674004-C | FRONT PANEL BEZEL E400T                                 |
|        | A3674006-C | FRONT PANEL BEZEL E500D                                 |
| 1B     | B3634201-C | FRONT PANEL BEZEL WELDMENT E400                         |
|        | B3634202-C | FRONT PANEL BEZEL WELDMENT E400T                        |
|        | B3634203-C | FRONT PANEL BEZEL WELDMENT E500D                        |
| 2      | 60143802   | COMPACT CONTROL DIGITAL RELAY OUTLET                    |
| 3      | B6758101   | WIRING CONTROL PANEL E400/E400T/E500D                   |
| 4      | B6758801   | WIRING CONTROL BULB THERMOSTAT WIRE E400/E400T/E500D    |
| 5      | 60144801   | SWITCH ROCKER SINGLE-POLE SINGLE-THROW W/LAMP 28VAC GRN |
| 6      | PP10539    | KNOB THERMOSTAT W/OFF 200°-400°F & 100°-200°C           |
| 7      | PP10687    | SCREW 6-32 X 5/16 TRUSS HEAD PHILLIPS ZN                |
| 8      | P0190700   | CLIP CANOE FASTEX                                       |
| 9      | P0080601   | WASHER FLAT #10   |
| 10     | P0092300   | NUT HEX (KEP) 10-24 ZN                                  |
| 11     | 60132703   | CERAMIC FUSE 2.5 AMP 250VAC FAST ACTING                 |

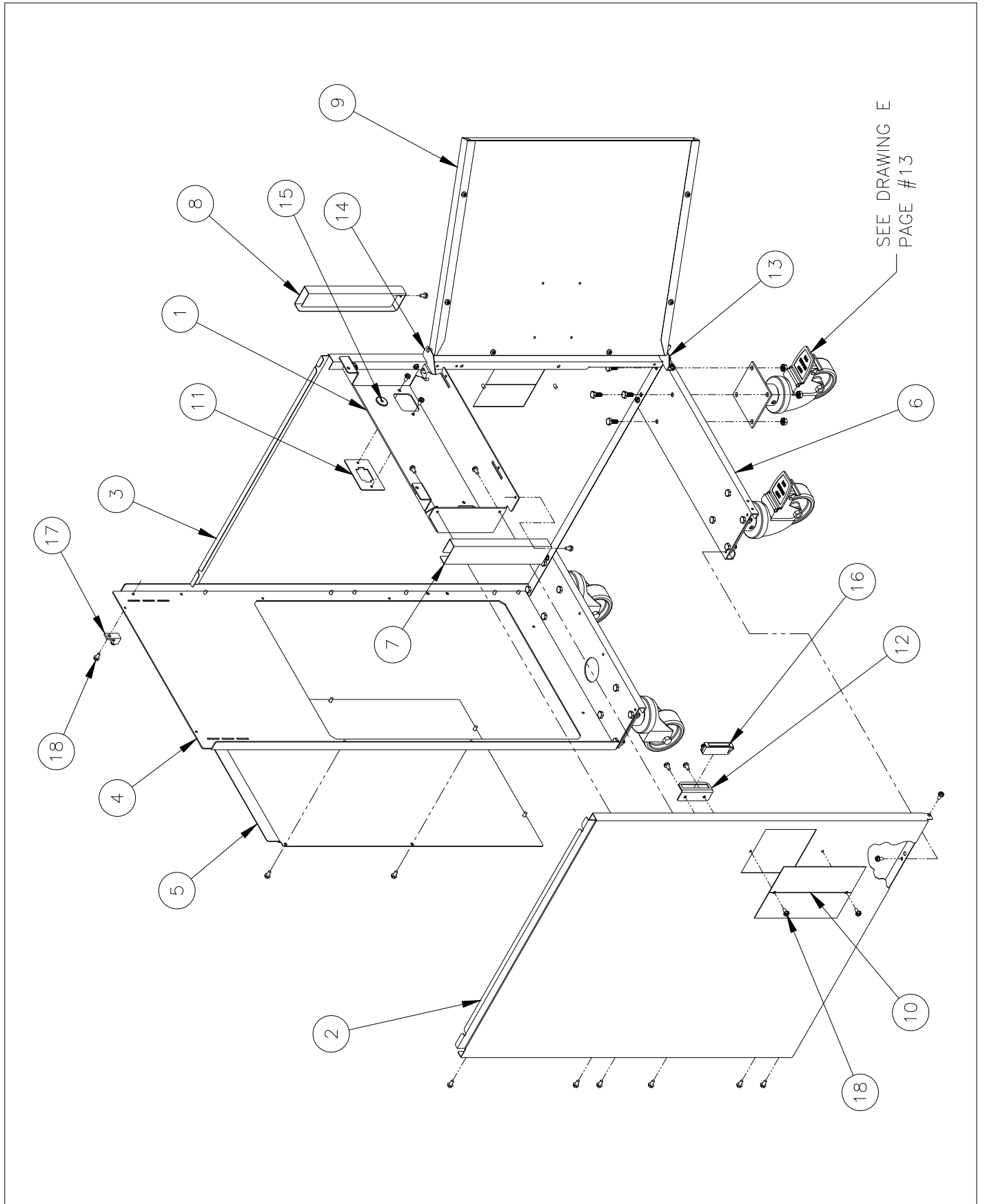
Front Bezel Drawing C



## Cabinet Drawing D Parts List

| ITEM # | PART #     | PART DESCRIPTION                                |
|--------|------------|---|
| 1      | A1848401-C | CABINET SPACER E400                             |
|        | A1849301-C | CABINET SPACER E500D                            |
| 2      | A1511602-C | CABINET SIDE LH E400                            |
|        | A1511606-C | CABINET SIDE LH E500D                           |
| 3      | A1511604-C | CABINET SIDE RH E400                            |
|        | A1511608-C | CABINET SIDE RH E500D                           |
| 4      | A1633701-C | CABINET BACK E400                               |
|        | A1633703-C | CABINET BACK E500D                              |
| 5      | A1633601-C | CABINET BACK COVER E400/E500D                   |
| 6      | A1234801-C | CABINET BOTTOM BRACE FRONT E400                 |
|        | A1234803-C | CABINET BOTTOM BRACE FRONT E500D                |
| 7      | A3674102-C | FRONT PANEL END CAP LH E400/E400T/E500D         |
| 8      | A3674104-C | FRONT PANEL END CAP RH E400/E400T/E500D         |
| 9      | B2304606-C | DOOR ASSEMBLY E400/E400T                        |
|        | B2304609-C | DOOR ASSEMBLY E500D                             |
| 10     | A6613102-C | FILTER CABINET COVER DRAIN LINE                 |
| 11     | A2036001-C | CONTROL BOX RECEPTACLE PLATE E400/E400T/E500D   |
|        | A2036003-C | CONTROL BOX RECEPTACLE PLATE COVER E400 (BLANK) |
| 12     | A1847002   | BRACKET MAGNETIC CATCH                          |
| 13     | B3802501   | HINGE WELDMENT BOTTOM E400/E500D                |
| 14     | B3802401   | HINGE WELDMENT UPPER RH                         |
| 15     | P6071224   | GROMMET .19 ID X .88 OD X .63 GROOVE            |
|        | P6071490   | HOLE PLUG 7/8 CHROME PLATED                     |
| 16     | P6071300   | CATCH MAGNET STANDARD                           |
| 17     | 60145301   | LUG GROUND ALUM                                 |
| 18     | PP10023    | SCREW 10-24 X 3/8 SELF TAP                      |

Cabinet Drawing D

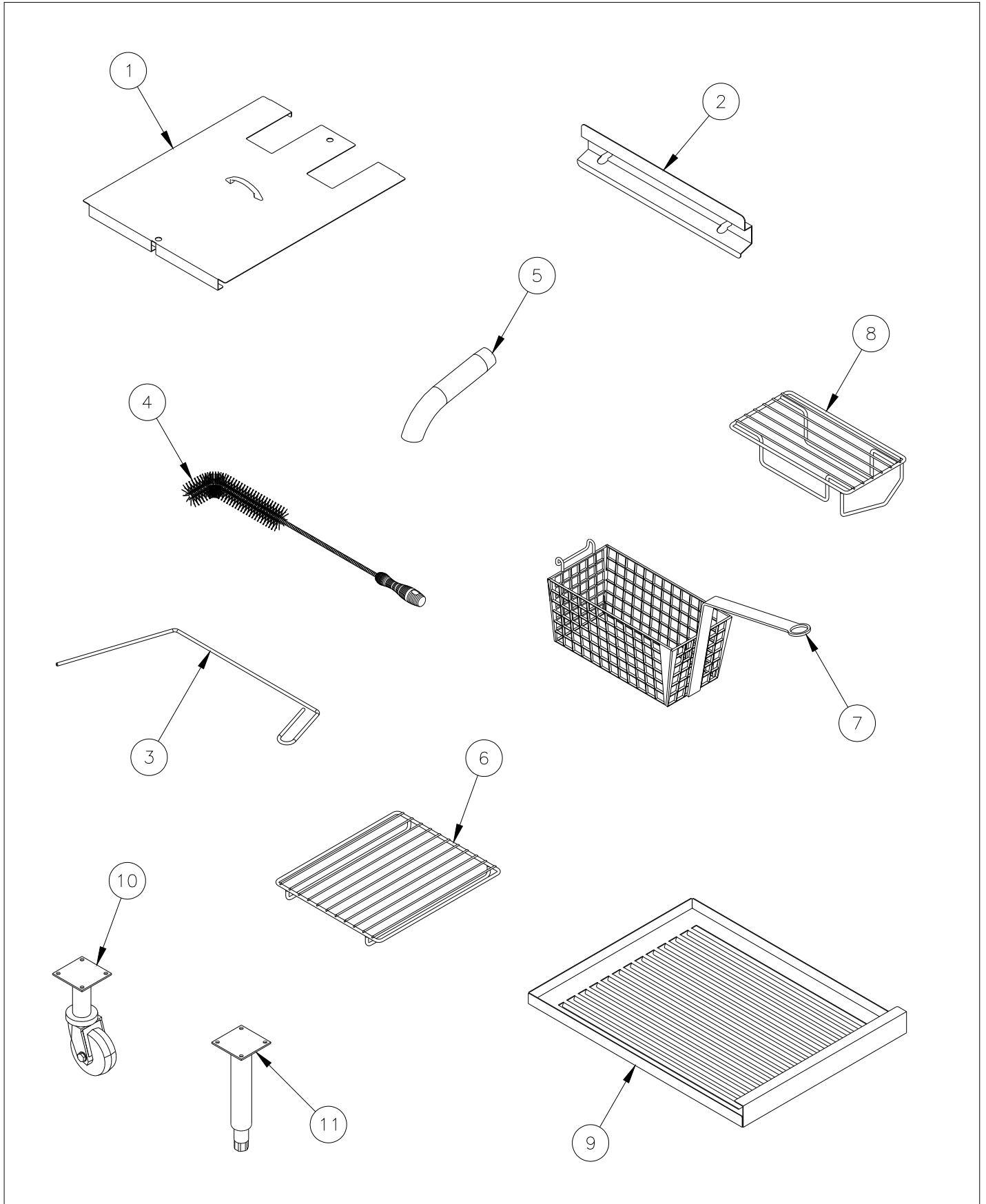


## Accessories Drawing E Parts List

| <b>ITEM #</b> | <b>PART #</b> | <b>PART DESCRIPTION</b>                   |
|---------------|---------------|---|
| 1             | B2101508-C    | TANK COVER ASSEMBLY E400/E400T            |
| 2             | A1106102-C    | BASKET HANGER E400/E400T                  |
|               | A1106104-C    | BASKET HANGER E500D                       |
| 3             | A3301001      | ROD CLEAN OUT                             |
| 4             | PP10056       | BRUSH NYLON FRYER-CLEANER L 417T-2        |
| 5             | A2510101      | TANK FITTING NIPPLE DRAIN OUT 1.25 CURVED |
| 6             | A4514301      | WIRE GOODS RACK TUBE E400                 |
| 7             | P6072145      | BASKET W/COATED HANDLE E400/E400T         |
| 8             | A4514401      | WIRE GOODS RACK TUBE LH SD E400T          |
|               | A4514402      | WIRE GOODS RACK TUBE RH SD E400T          |
| 9             | A5071202-C    | ACCESSORIES FISH GRID E500D               |
| 10            | B3901501      | CASTER 6 SET W/HARDWARE                   |
|               | PP10808       | CASTER SWIVEL 6 NON-LOCKING               |
|               | PP10809       | CASTER SWIVEL 6 LOCKING                   |
| 11            | B3900701      | LEG SET W/HARDWARE 6 (4-PACK)             |
|               | B3900909      | LEG ADJUST-6 SST                          |



Accessories Drawing E



This page intentionally left blank

This page intentionally left blank

In the event of problems with or questions about your order, please contact the Pitco Frialator factory at (800)258-3708 US and Canada only  
(603)225-6684 World Wide

In the event of problems with or questions about your equipment, please contact the Pitco Frialator Authorized Service and Parts representative (ASAP) covering your area, or contact Pitco at the numbers listed to the left.

MAILING ADDRESS – P.O. BOX 501, CONCORD, NH 03302-0501  
SHIPPING ADDRESS – 10 FERRY ST., CONCORD, NH 03301