



IMPORTANT FOR FUTURE REFERENCE

Please complete this information and retain this manual for the life of the equipment:

Model #: _____

Serial #: _____

Date Purchased: _____

Service & Parts Manual
Covering the
**SPINFRESH™ Option for
Solstice Fryers**

ENGLISH



FOR YOUR SAFETY

DO NOT store or use gasoline or other flammable vapors or liquids in the vicinity of this or any other appliance. Do not spray aerosols in the vicinity of this appliance while it is in operation.

WARNING

Improper installation, alteration, service or maintenance can cause property damage, injury or death. Read the installation, operating and maintenance instructions thoroughly before installing or servicing this equipment.

WARNING

Installation, maintenance and repairs should be performed by a Pitco Authorized Service and Parts (ASAP) company technician or other qualified personnel. Installation, maintenance or repairs by an unauthorized and unqualified personnel will void the warranty.

WARNING

Installation and all connections must be made according to national and local regulations and codes in force.

WARNING

During the warranty period if a customer elects to use a non-original part or modifies an original part purchased from Pitco and/or its Authorized Service and Parts (ASAP) companies, this warranty will be void. In addition, Pitco and its affiliates will not be liable for any claims, damages or expenses incurred by the customer which arises directly or indirectly, in whole or in part, due to the installation of any modified part and/or received from an unauthorized service center.

WARNING

This appliance, when installed, must be electrically grounded in accordance with local codes, or in the absence of local codes, with the National Electrical Code, ANSI/NFPA 70, or the Canadian Electrical Code, CSA C22.2, as applicable.

WARNING

Adequate means must be provided to LIMIT the movement of this appliance without depending on the gas or electrical cord connection. Single appliances equipped with legs must be stabilized by installing anchor straps. All appliances equipped with casters must be stabilized by installing restraining chains.

WARNING

An appliance equipped with casters and a flexible gas line must be connected to the gas supply with a quick disconnect device. The quick disconnect must comply with ANSI Z21.41.

WARNING

DO NOT alter or remove structural material on the appliance to accommodate placement under a ventilation hood.

WARNING

This appliance is intended for professional use only and should be operated by fully trained and qualified personnel.

WARNING

If the appliance is equipped with a power cord and it is damaged, it must be replaced by a Pitco Authorized Service and Parts (ASAP) company technician, or a similarly qualified person in order to avoid a hazard.

WARNING

The power supply must be disconnected before servicing, maintaining or cleaning this appliance.

WARNING

The appliance is NOT jet stream approved. DO NOT clean the appliance with a water jet.

WARNING

DO NOT attempt to move this appliance or transfer hot liquids from one container to another when the unit is at operating temperature or filled with hot liquids. Serious personal injury could result if skin comes in contact with the hot surfaces or liquids.

WARNING

DO NOT sit or stand on this appliance. The appliance's front panel, tank, splash back, tank cover, workshelf, drain board is not a step. Serious injury could result from slipping, falling or contact with hot liquids.

WARNING

NEVER use the appliance as a step for cleaning or accessing the ventilation hood. Serious injury could result from slips, trips or from contacting hot liquids.

WARNING

The oil/shortening level should NOT fall below the minimum indicated level line at any time. The use of old shortening can be dangerous as it will have a reduced flash point and be more prone to surge boiling.

WARNING

The contents of the crumb catch and/or filter pan of any filter system must be emptied into a fireproof container at the end of the frying operation each day. Some food particles can spontaneously combust into flames if left soaking in certain oil/shortening materials.

WARNING

Completely shut the appliance down when shortening/oil is being drained from the appliance. This will prevent the appliance from heating up during the draining and filling process. Serious injury can occur.

WARNING

This appliance is intended for indoor use only.

WARNING

DO NOT operate appliance unless all panels and access covers are attached correctly.

WARNING

It is recommended that this appliance be inspected by a qualified service technician for proper performance and operation on a yearly basis.

WARNING

There is an open flame inside this appliance. The unit may get hot enough to set nearby materials on fire. Keep the area around the appliance free from combustibles.

WARNING

DO NOT supply the appliance with a gas that is not indicated on the data plate. If you need to convert the appliance to another type of fuel, contact your dealer.

WARNING

DO NOT use an open flame to check for gas leaks!

WARNING

If gas flow to appliance is interrupted, or pilots extinguish, wait 5 minutes before attempting to relight the pilot to allow any residual gas in appliance to dissipate. Do not attempt to use this appliance during a power outage.

WARNING

Ensure that the appliance can get enough air to keep the flame burning correctly. If the flame is starved for air, it can give off a dangerous carbon monoxide gas. Carbon monoxide is a clear odorless gas that can cause suffocation.

WARNING

Never add oil to the appliance when it is at operating temperature. Splashing hot oil can cause severe injuries.

WARNING

DO NOT supply the appliance with a gas that is not indicated on the data plate. If you need to convert the appliance to another type of fuel, contact your dealer.

WARNING

Never add water to hot oil. Violent boiling can occur causing severe injury.

WARNING

Excessive loading or loading of over wet food can cause surge boiling. The maximum cooking load must not exceed (14T-1.5lbs(0.68kg), 14-3 lbs (1.36 kg), 18-5 lbs (2.27 kg)).

WARNING

A country approved all pole circuit breaker with a minimum open contact gap of 3mm must be used for proper installation. (CE countries)

TABLE OF CONTENTS

| | | |
|------|--|----|
| 1 | Fire Safety Systems | 5 |
| 2 | Operation | 5 |
| 3 | Troubleshooting | 5 |
| 4 | Basket Engagement | 6 |
| 5 | Field Upgrade | 8 |
| 6 | Basket Lift Relay Logic | 9 |
| 7 | <i>SPIN</i> FRESH Diagnostic Mode | 9 |
| 8 | Exploded parts | 9 |
| 8.1 | Superseded basket Lift Assembly built before September 2012 | 10 |
| 8.2 | Basket Lift Assembly built after September 2012 | 12 |
| 8.3 | Superseded Enclosure Assembly built before September 2012 | 14 |
| 8.4 | Enclosure Assembly built after September 2012 | 16 |
| 8.5 | Superseded Cover & Damper Assembly built before September 2012 | 18 |
| 8.6 | Cover Assembly built after September 2012 | 19 |
| 8.7 | Miscellaneous Parts | 20 |
| 8.8 | Basket Assembly | 21 |
| 8.9 | Bottom Assembly | 22 |
| 8.10 | Splash Back Assembly | 23 |
| 9 | Basket Lift Wiring Diagram | 24 |
| 10 | Schematic | 25 |

1 Fire Safety Systems

If your appliance is equipped with *SPINFRESH™*, the tank enclosure can interfere with the performance of pre-existing fire safety systems. Modifications to the fire safety system should be performed by a professional who is qualified in installing, designing and maintaining your fire safety system prior to operating any *SPINFRESH™* appliance.

WARNING

Replacing or adding appliances under a pre-existing fire safety system may require modifications to the system. ALWAYS contact a professional who is qualified in installing, designing and maintaining your fire safety system to assure that any appliances located under the fire safety system are adequately protected.

2 Operation

If the appliance is equipped with *SPINFRESH™*, place the basket directly onto the basket lift pin and close the lid prior to starting the timer(s). The basket(s) will be lowered into the cook tank when the timer cycle starts. At the end of the preset cooking time, the basket lift will raise the basket out of the cook tank and spin the basket to remove excess oil. The lid may be opened during the cooking cycle but must be closed prior to the spin cycle.

WARNING

NEVER open the lid or reach into the *SPINFRESH™* enclosure during the spin cycle. Serious injury could result.

3 Troubleshooting

| Issue | Possible Causes |
|-----------------------------------|--|
| Basket does NOT travel up or down | Basket lift Circuit breaker is tripped Loose power connection to basket lift Basket lift transformer Basket lift driver board Damaged/improperly wired relay Basket lift actuator |
| Basket does NOT spin | Basket lift Circuit breaker is tripped Loose power connection to basket lift Lid magnet switch Power supply Stepper motor driver board Stepper motor |
| Basket spins erratically | Product is not placed evenly in the basket. Bottom plate (holds basket straight in appliance) Improper basket engagement |

4 Basket Engagement

This procedure is to check the basket engagement during the spin cycle and make any adjustments if required.

WARNING
Oil/shortening must completely cover the heat tubes or heating elements at all times while appliance is on.

- ❑ Press **I** to turn the appliance ON.
- ❑ Press **P** **1** **9** **9** **3** **9** to enter spin diagnostic mode.
- ❑ Press **R** to raise the basket to the highest position.
- ❑ Check the basket drive pin's location within the drive coupling. Adjust basket drive pin position as described if required.

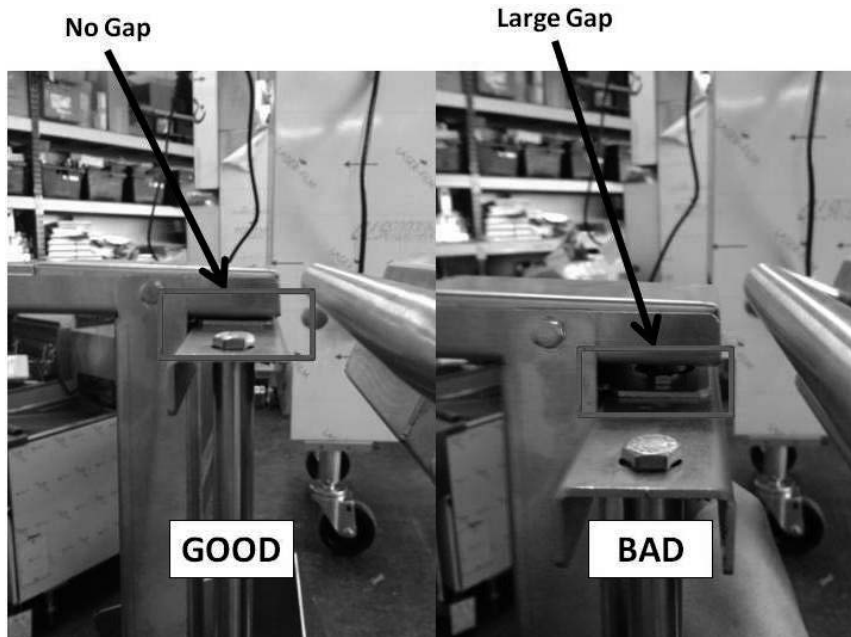


GOOD



BAD

- ❑ Check to assure that the top plate springs are not extending while the basket drive pin is in the coupling. Adjust basket drive pin position as described if required.

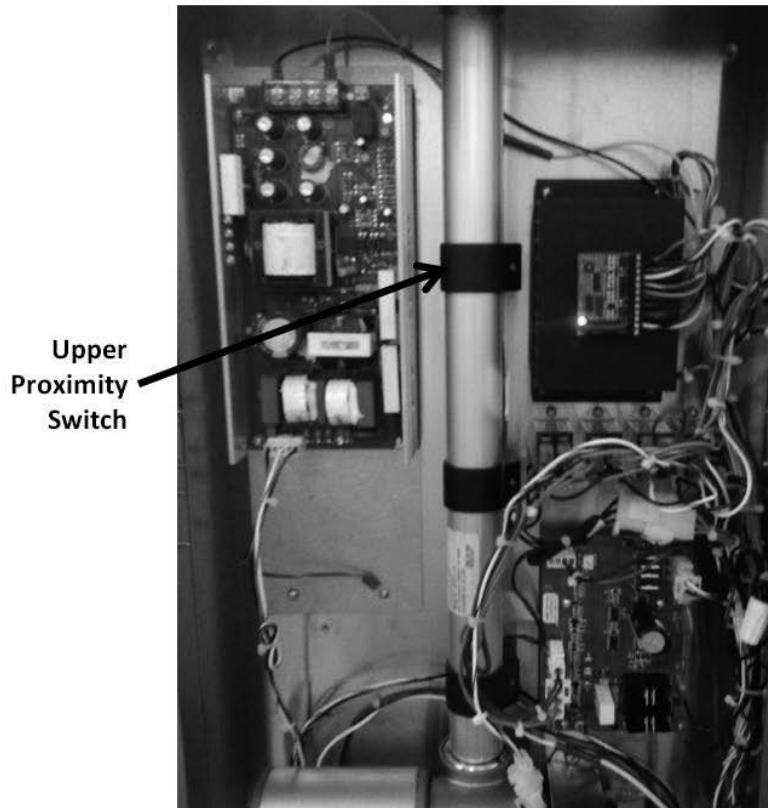




NOTICE

Do NOT rotate the proximity switch during this procedure. The rotation of the switch is critical to accurately sensing the basket lift position.

If the basket drive pin position needs adjustment.

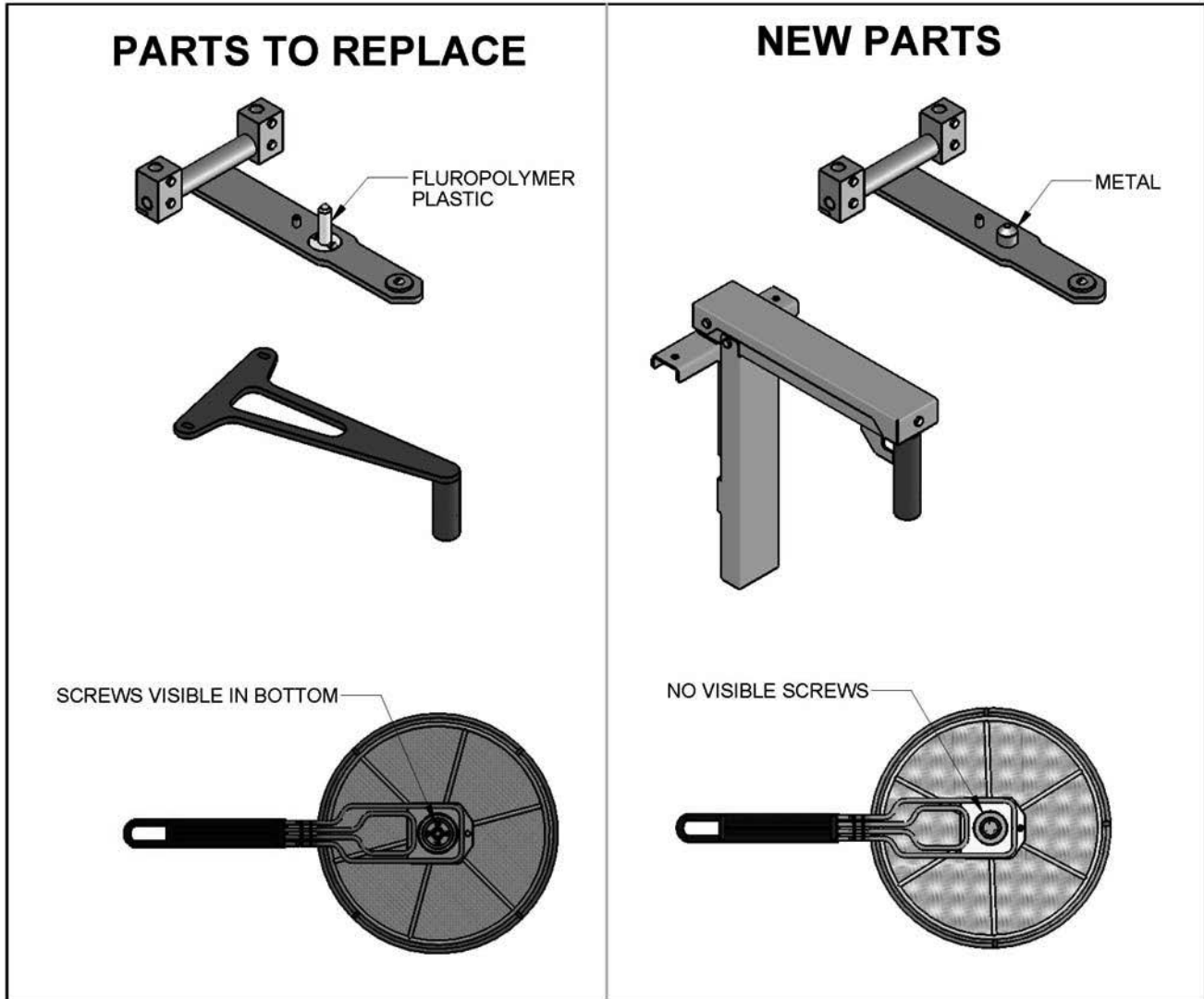
- While holding the upper proximity switch in place, use a small screwdriver to loosen screw on the switch. Move the switch up and down to adjust the upper position. Move the proximity switch the same distance that the basket pin is away from its ideal location. After repositioning the switch, use a small screwdriver to tighten the screw on the proximity switch to secure it in place.



- Press  to move the basket to the middle position.
- After the basket has moved to the middle position, press  to move the basket to the newly defined upper position.
- Repeat the previous steps until the basket drive pin is positioned correctly within the drive coupling.

5 Field Upgrade

In February of 2013, various improvements to the SPINFRESH™ option were made available as a field upgrade kit. Refer to the diagram below to identify if the appliance has been upgraded or not. If the appliance can be upgraded, contact the factory to order the appropriate upgrade kit.



Upgrade kit part numbers:

| Kit No. | Models Covered | Item 1 | Item 2 | Item 3 |
|-------------|----------------|------------|----------|------------|
| B8705901-CL | SG14R, SSH55 | B5609901-C | B5608802 | B4516001-C |
| B8705902-CL | SG14 | B5609902-C | | |
| B8705903-CL | SE14 | B5609903-C | | |
| B8705904-CL | SGH50, SEH50 | B5609904-C | | |

6 Basket Lift Relay Logic

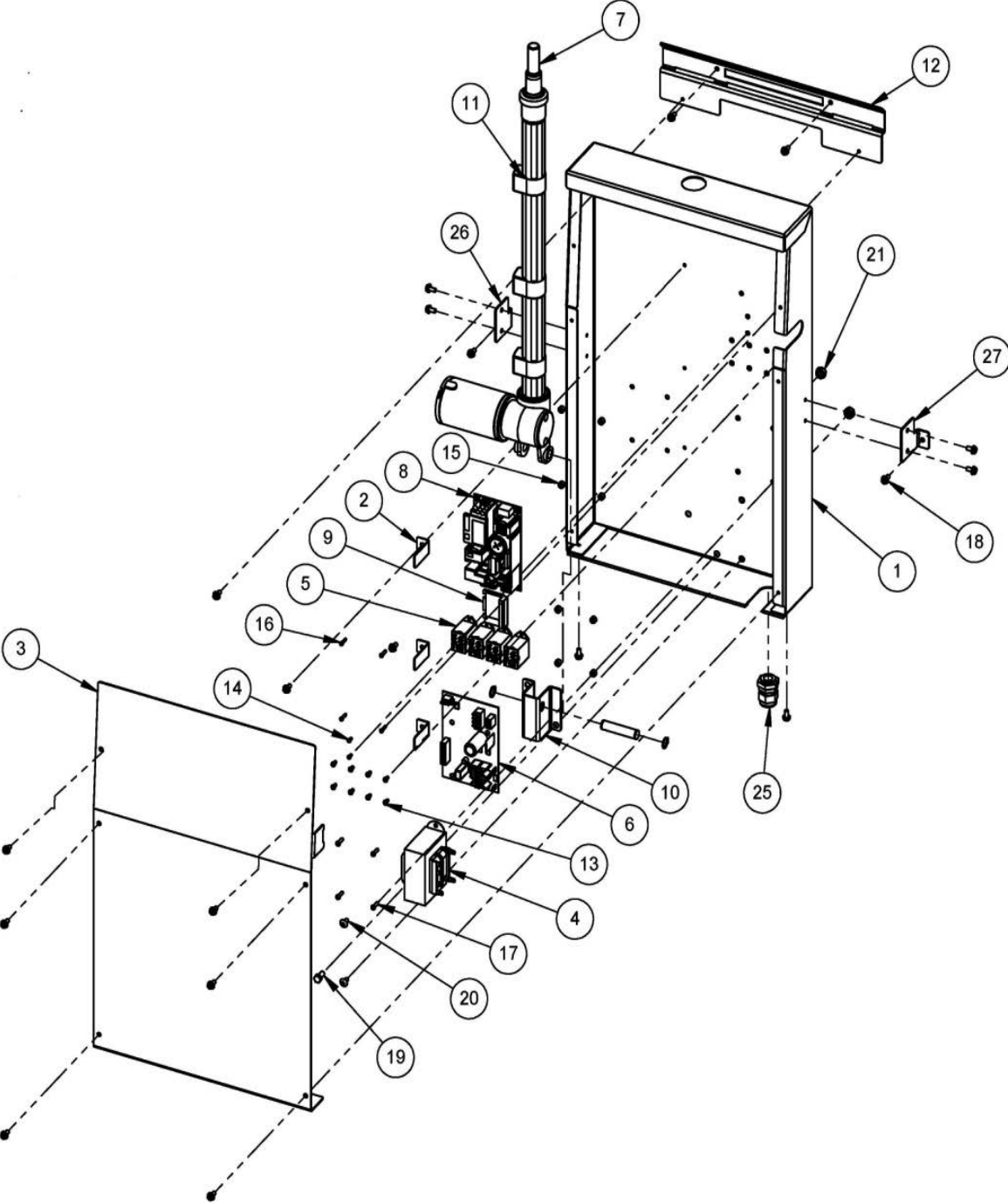
| Relay | Controlled by | Switches | |
|-------|--|--|------------------------------------|
| K1 | Spin (Upper) Position Proximity Switch | Signal to the I-12 computer | Signal to Basket lift driver board |
| K2 | Cook (Lower) Position Proximity Switch | Signal to the I-12 computer | Signal to Basket lift driver board |
| K3 | K4 Relay | Electrically Brakes the actuator movement | |
| K4 | Signal from the I-12 Computer | Start signal to the basket lift driver board | K3 Relay |

7 SPINFRESH Diagnostic Mode

| Spin Diagnostics | |
|-----------------------------------|-----------|
| | Press |
| Step 1. Enter Factory Programming | P-1-9-9-3 |
| Step 2. Enter Spin Diagnostics | 9 |
| | |
| Spin Diagnostics | |
| | Button |
| Turns motor on & off | L |
| Increases motor speed | 1 |
| Decreases motor speed | 2 |
| Changes motor direction | 3 |
| Vibrate (not used) | 4 |
| Indicator light: door open/closed | 5 |
| Indicator light: cook position | 6 |
| Indicator light: load position | 7 |
| Indicator light: spin position | 8 |
| Move to cook position | 9 |
| Move to load position | 0 |
| Move to spin position | R |

8 Exploded parts

8.1 Superseded basket Lift Assembly built before September 2012

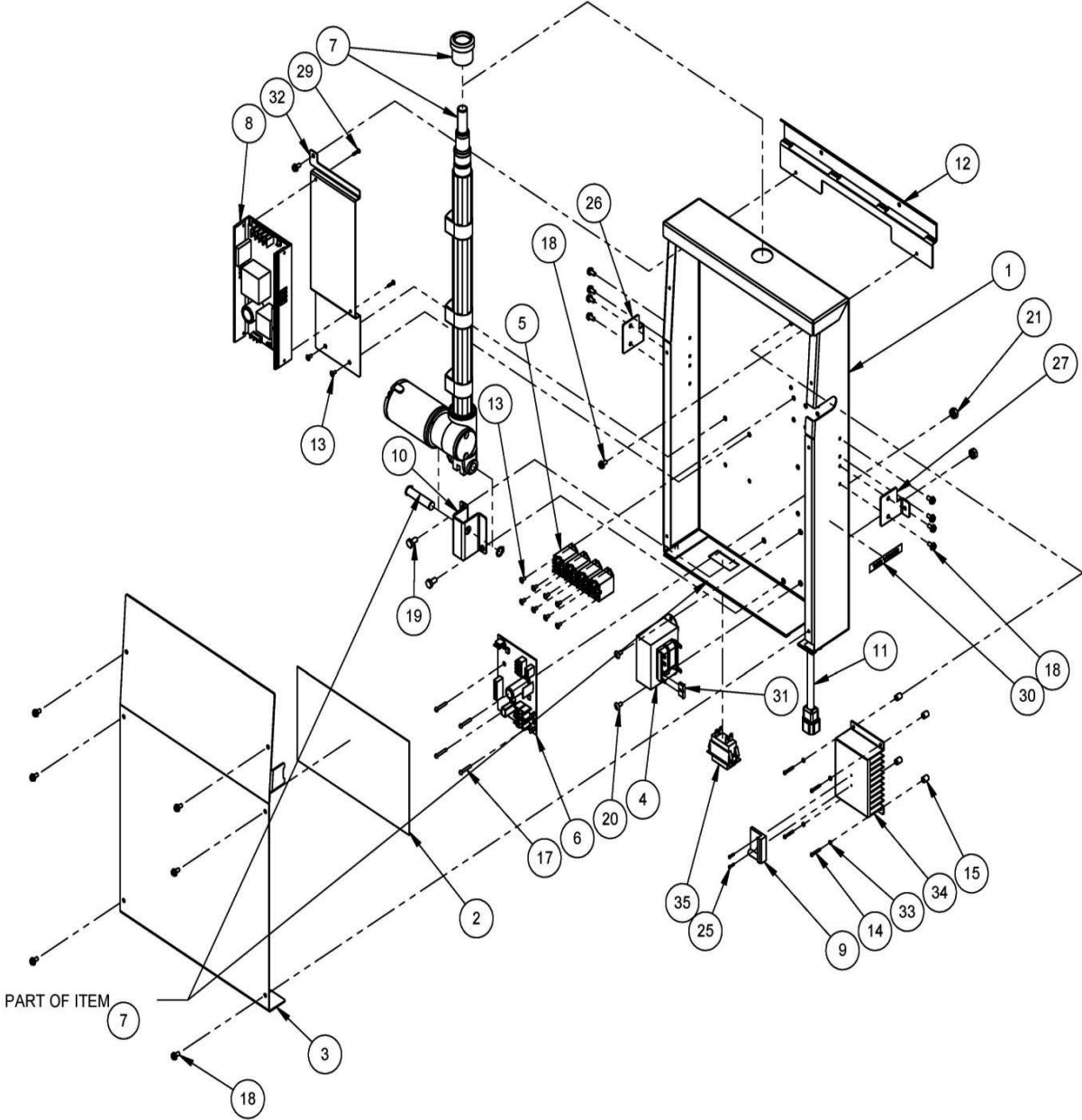


See next page for parts list.

Superseded Basket Lift Assembly built before September 2012

| ITEM # | PART NO. | DESC. |
|--------|-----------|---------------------------------|
| 1 | A5625802 | BSKT LFT,BOX SPINFRESH |
| 2 | A5625901 | BSKT LFT,MAG SW SPRT CLIP S |
| 3 | A5626002 | BSKT LFT,BOX COV ACTR MOD S |
| 4 | PP10429-M | XFMR,80VA 120/208/240V TO 2 |
| 5 | PP11068 | RELAY,24VDC DPDT MTG TAB |
| 6 | 60134001 | CNTRL,BASKT LIFT DRIVER BOA |
| 7 | 60134305 | ACTR,25 3.3-9.4 24VDC 1IPS SPIN |
| 8 | 60174101 | SPLY,SWITCHING PWR 2.6A 48V |
| 9 | 60174001 | DRVR,STEPPER MOTOR 3.5A 50V |
| 10 | A5626202 | BSKT LFT,ACTR C-CHAN BRKT S |
| 11 | 60136901 | CLAMP, BASKET LIFT LIMIT SWITCH |
| 12 | A5626302 | B/L, TOP SPRT DRIP GRD |
| 13 | PP10686 | SCR, 6-32 X 1/4 RDH PHILLIPS ZN |
| 14 | PP10266 | SCR, 4-40 X 1/4 RDH ZN |
| 15 | 60177502 | STAND-OFF, #6 X 1/2 NYLON |
| 16 | PP10674 | SCR, 6-32 X 5/8 RDH PHILLIPS ZN |
| 17 | PP10689 | SCR, 6-32 X 1/2 RDH PHILLIPS ZN |
| 18 | PP10023 | SCR, 10-24 X 3/8 SLF TAP |
| 19 | P0113300 | SCR, 1/4-20 X 1/2 HHC SST |
| 20 | PP10693 | SCR, 10-24 X 3/8 TH PHILLIPS ZN |
| 21 | P0093300 | NUT, HEX (KEP) 1/4-20 ZN |
| 25 | P6071140 | CONN LIQUID TIGHT 3/8 |
| 26 | A5626102 | B/L,SD MTG BRKT LH |
| 27 | A5626104 | B/L,SD MTG BRKT RH |

8.2 Basket Lift Assembly built after September 2012



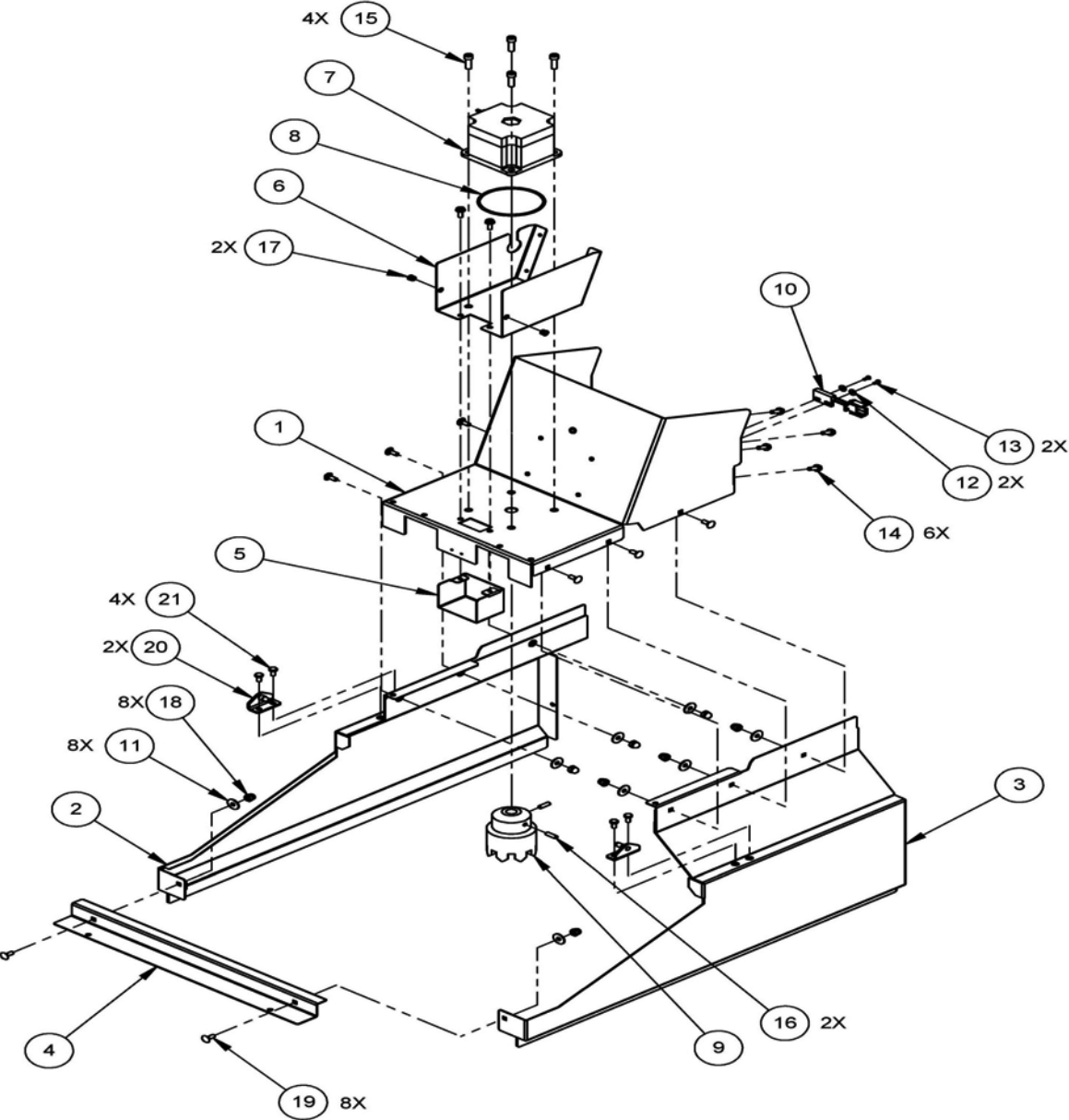
See next page for parts list.

Basket Lift Assembly built after September 2012

B56092xx, Complete assembly

| ITEM NO. | PART NO. | DESCRIPTION | QTY |
|----------|-----------|--|-----|
| 1 | A5625802 | BASKET LIFT, BOX | 1 |
| 2 | 700324-10 | LABEL, SCHEMATIC WIRING SG,SE SPINFRESH | 1 |
| 3 | A5626002 | BASKET LIFT, BOX COVER ACTUATOR MODULAR SG | 1 |
| 4 | PP10429-M | TRANSFORMER, 80VA 120-208-240V TO 24V MCI | 1 |
| 5 | PP11068 | RELAY, 24VDC DPDT WITH MOUNTING TABS | 4 |
| 6 | 60134001 | CNTRL,BASKT LIFT DRIVER BOARD | 1 |
| 7 | 60134305 | ACTUATOR, 25 3.3-9.4 245VDC 1IPS SPIN | 1 |
| 8 | 60179101 | POWER SUPPLY, 48 VDC 4.2A SPIN | 1 |
| 9 | 60174001 | DRIVER, STEPPER MOTOR 3.5A 50V | 1 |
| 10 | A5626202 | BASKET LIFT, ACTUATOR C-CHANNEL BRKT | 1 |
| 11 | 60133901 | CORD, 16-3 AWG, IEC320M PLUG 28.0" | 1 |
| 12 | A5626302 | BASKET LIFT, TOP SPRT DRIP GUARD BRACKET | 1 |
| 13 | PP10687 | SCREW, 6-32 X .313 THRUSS HEAD PHILLIPS ZN | 10 |
| 14 | PP11351 | SCREW, 4-40 X .750 ROUND HEAD SLOTTED ZN | 4 |
| 15 | 60177503 | STAND-OFF, NYLON LENGTH .3750 OD .250 #4 SCREW | 4 |
| 16 | B6797901 | WIRING, POWER SUPPLY UPGRADE SPIN | 1 |
| 17 | P0006100 | SCREW, 6-32 X .875 ROUND HEAD SLOTTED ZN | 4 |
| 18 | PP10023 | SCREW, 10-24 X .375 SELF TAPPING | 18 |
| 19 | P0113300 | SCREW, .250-20 X .500 HEX HEAD SST | 2 |
| 20 | PP10693 | SCREW, 10-24 X .375 THRUSS HEAD PHILLIPS ZN | 2 |
| 21 | P0093300 | NUT, HEX KEP .250-20 ZN | 2 |
| 22 | P0092500 | NUTSERT, 10-24 UNC | 2 |
| 23 | P0091400 | NUTSERT, 6-32 UNC | 14 |
| 24 | 60092101 | NUTSERT, 4-40 UNC | 4 |
| 25 | 60044801 | SCREW, SOCKET HEAD 2-56 X .375 | 2 |
| 26 | A5626102 | BASKET LIFT, SIDE INSERT BRACKET LH | 1 |
| 27 | A5626104 | BASKET LIFT, SIDE INSERT BRACKET RH | 1 |
| 28 | B6795001 | WIRING, SPINFRYER BASKET LIFT ASSEMBLY | 1 |
| 29 | 60070601 | SCREW, M3 X 0.5mm X 12mm | 2 |
| 31 | 60127201 | CAP,TAB .187 SERIES | 2 |
| 32 | A5626901 | BRACKET, POWER SUPPLY SPIN BL | 1 |
| 33 | 60180601 | SHOULDER WASHER, SHORT BARREL #4 | 4 |
| 34 | 60180301 | HEAT SINK, SPIN BL | 1 |
| 35 | 60078502 | CIRCUIT BREAKER, ROCKER DPST 250V 5A | 1 |

8.3 Superseded Enclosure Assembly built before September 2012

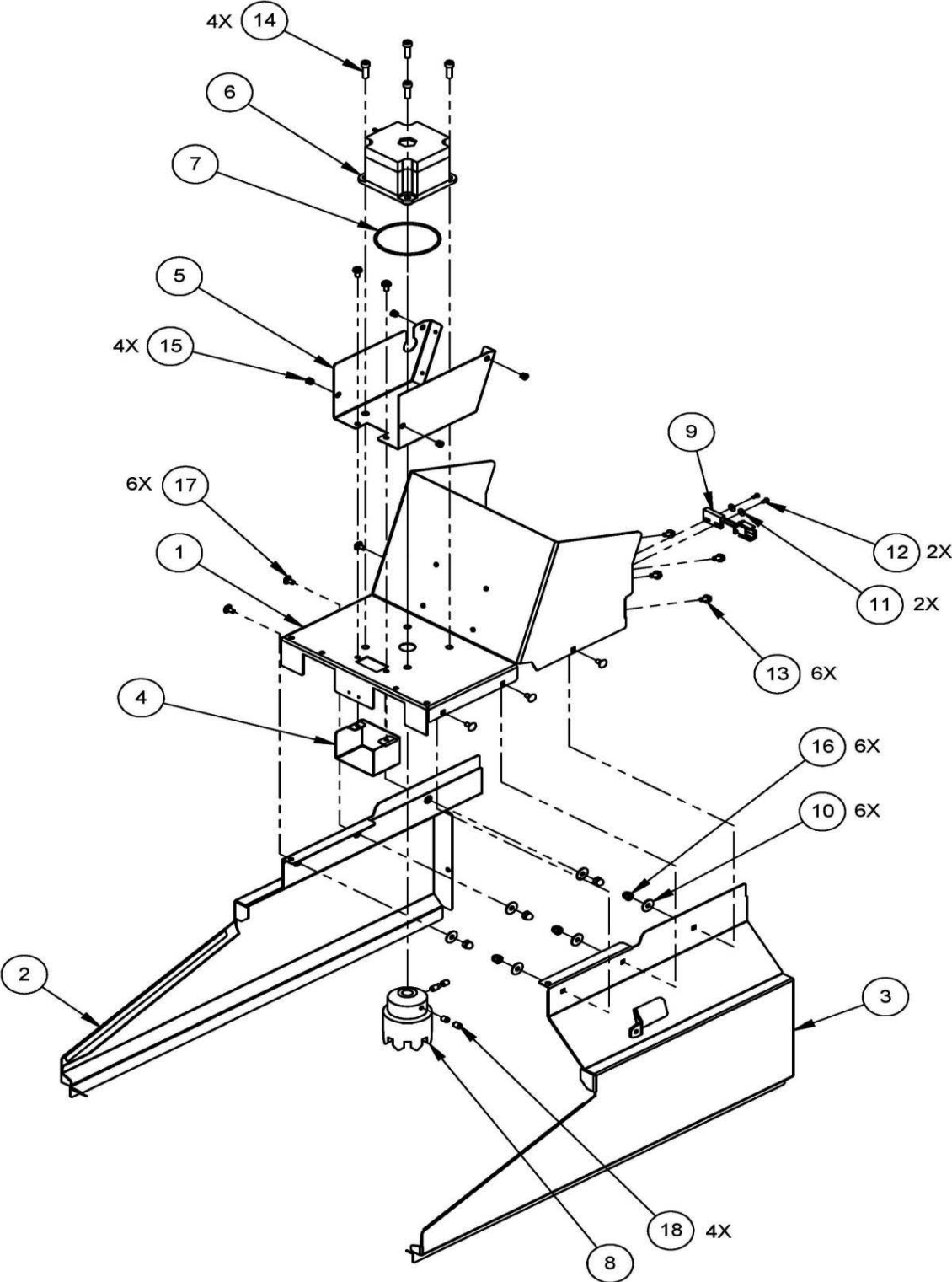


See next page for parts list.

Superseded Enclosure Assembly built before September 2012

| ITEM # | PART NO. | DESCRIPTION | SSH55 SG14 | SE14 | S*H50 |
|--------|----------|---------------------------------------|---------------|------|-------|
| 1 | B3335501 | TANK, ENCLOSURE TOP WELDMENT | X | | |
| | B3335502 | TANK, ENCLOSURE TOP WELDMENT | | X | |
| | B3335503 | TANK, ENCLOSURE TOP WELDMENT | | | X |
| 2 | B3335601 | TANK, ENCLOSURE SIDE WELDMENT LH | X | | |
| | B3335603 | TANK, ENCLOSURE SIDE WELDMENT LH | | X | |
| | B3335605 | TANK, ENCLOSURE SIDE WELDMENT LH | | | X |
| 3 | B3335602 | TANK, ENCLOSURE SIDE WELDMENT RH | X | | |
| | B3335604 | TANK, ENCLOSURE SIDE WELDMENT RH | | X | |
| | B3335606 | TANK, ENCLOSURE SIDE WELDMENT RH | | | X |
| 4 | A3366202 | TANK, ENCLOSURE FRONT | X | X | X |
| 5 | A3366302 | TANK, ENCLOSURE MAGNET BOX BODY | X | X | X |
| 6 | A3366402 | TANK, ENCLOSURE MOTOR BOX BODY | X | | |
| | A3366404 | TANK, ENCLOSURE MOTOR BOX BODY | | X | X |
| 7 | 60174301 | MOTOR, STEPPER NEMA34 2.8A SURE STEP | X | X | X |
| 8 | 60068317 | O-RING, VITON 3.063 OD, 2.875 ID | X | X | X |
| 9 | A5075001 | COUPLE, DRIVE | X | X | X |
| 10 | B5305001 | ELECTRICAL ASSEMBLY, DVI | X | X | X |
| 11 | 60022903 | WASHER, FLAT #10 11/16 OD SST | X | X | X |
| 12 | 60022908 | WASHER, FLAT #4 SST | X | X | X |
| 13 | 60088011 | SCREW, 4-40 X .250 HEX HEAD SST | X | X | X |
| 14 | P0075400 | SCREW, 10-24 X .500 SELF TAPPING | X | X | X |
| 15 | PP11369 | SCREW, SOCKET HEAD .250-20 X .750 | X | X | X |
| 16 | PP10950 | SET SCREW, SLOTTED .250-20 UNC, .375L | X | X | X |
| 17 | P0092500 | NUTSERT, 10-24 UNC | X | X | X |
| 18 | P0142000 | NUT, ACORN WITH CENTERLOCK 10-24 SST | X | X | X |
| 19 | 60135703 | BOLT, 10-24 X 3/8 CARRIAGE SST | X | X | X |
| 20 | B2104601 | TK COV, DMPR BRKT RR WLDMT | X | X | X |
| 21 | 60088012 | SCREW, 10-24 X .375 HEX HEAD SST | X | X | X |

8.4 Enclosure Assembly built after September 2012



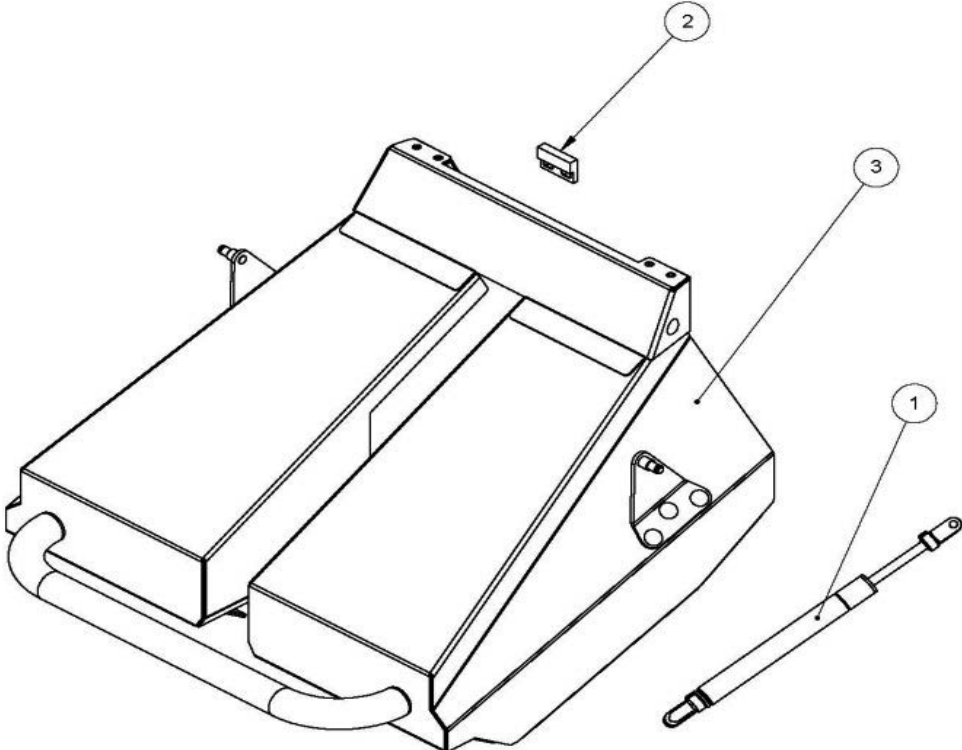
See next page for parts list.

Enclosure Assembly built after September 2012

B33354xx, Complete assembly

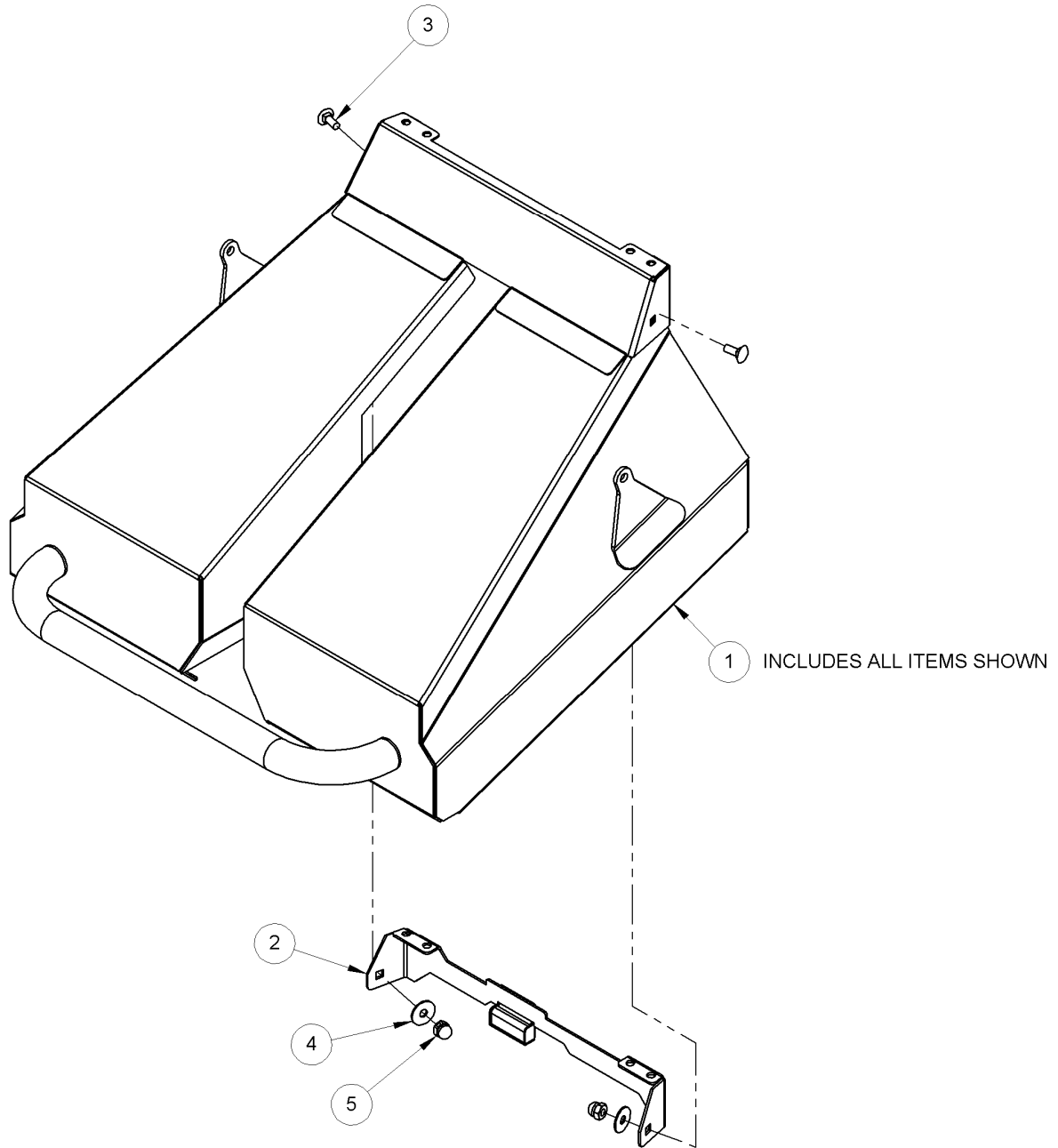
| ITEM NO. | PART NO. | DESCRIPTION | SG14 SSH55 | SE14 | S*H50 |
|----------|----------|---|---------------|------|-------|
| 1 | B3335503 | TANK, ENCLOSURE TOP WELDMENT S*H50 SPIN | - | - | X |
| 1 | B3335502 | TANK, ENCLOSURE TOP WELDMENT SE14 SPIN | - | X | - |
| 1 | B3335501 | TANK, ENCLOSURE TOP WELDMENT SG14* SPIN | X | - | - |
| 2 | B3335901 | TANK, ENCLOSURE SIDE WELDMENT SG* SPIN LH | X | - | - |
| 2 | B3335903 | TANK, ENCLOSURE SIDE WELDMENT SE* SPIN LH | - | X | - |
| 2 | B3335905 | TANK, ENCLOSURE SIDE WELDMENT S*H50 SPIN LH | - | - | X |
| 3 | B3335906 | TANK, ENCLOSURE SIDE WELDMENT S*H50 SPIN RH | - | - | X |
| 3 | B3335902 | TANK, ENCLOSURE SIDE WELDMENT SG* SPIN RH | X | - | - |
| 3 | B3335904 | TANK, ENCLOSURE SIDE WELDMENT SE* SPIN RH | - | X | - |
| 4 | A3366302 | TANK, ENCLOSURE MAGNET BOX BODY SG* SPIN | X | X | X |
| 5 | A3366404 | TANK, ENCLOSURE MOTOR BOX BODY SE* SPIN | - | X | X |
| 5 | A3366402 | TANK, ENCLOSURE MOTOR BOX BODY SG* SPIN | X | - | - |
| 6 | 60174301 | MOTOR, STEPPER NEMA34 2.8A SURE STEP | X | X | X |
| 7 | 60068317 | O-RING, VITON 3.063 OD, 2.875 ID | X | X | X |
| 8 | A5075001 | COUPLE, DRIVE | X | X | X |
| 9 | B5305001 | ELECTRICAL ASSEMBLY, DVI | X | X | X |
| 10 | 60022903 | WASHER, FLAT #10 SST | X | X | X |
| 11 | 60022908 | WASHER, FLAT #4 SST | X | X | X |
| 12 | 60088011 | SCREW, 4-40 X .250 HEX HEAD SST | X | X | X |
| 13 | PP10023 | SCREW, 10-24 X .375 SELF TAPPING | X | X | X |
| 14 | PP11369 | SCREW, SOCKET HEAD .250-20 X .750 | X | X | X |
| 15 | P0092500 | NUTSERT, 10-24 UNC | X | X | X |
| 16 | P0142000 | NUT, ACORN WITH CENTERLOCK 10-24 SST | X | X | X |
| 17 | 60135703 | BOLT, 10-24 X .375 CARRIAGE SST | X | X | X |
| 18 | PP10950 | SET SCREW, SLOTTED .25-20 UNC, .375L | X | X | X |

8.5 Superseded Cover & Damper Assembly built before September 2012



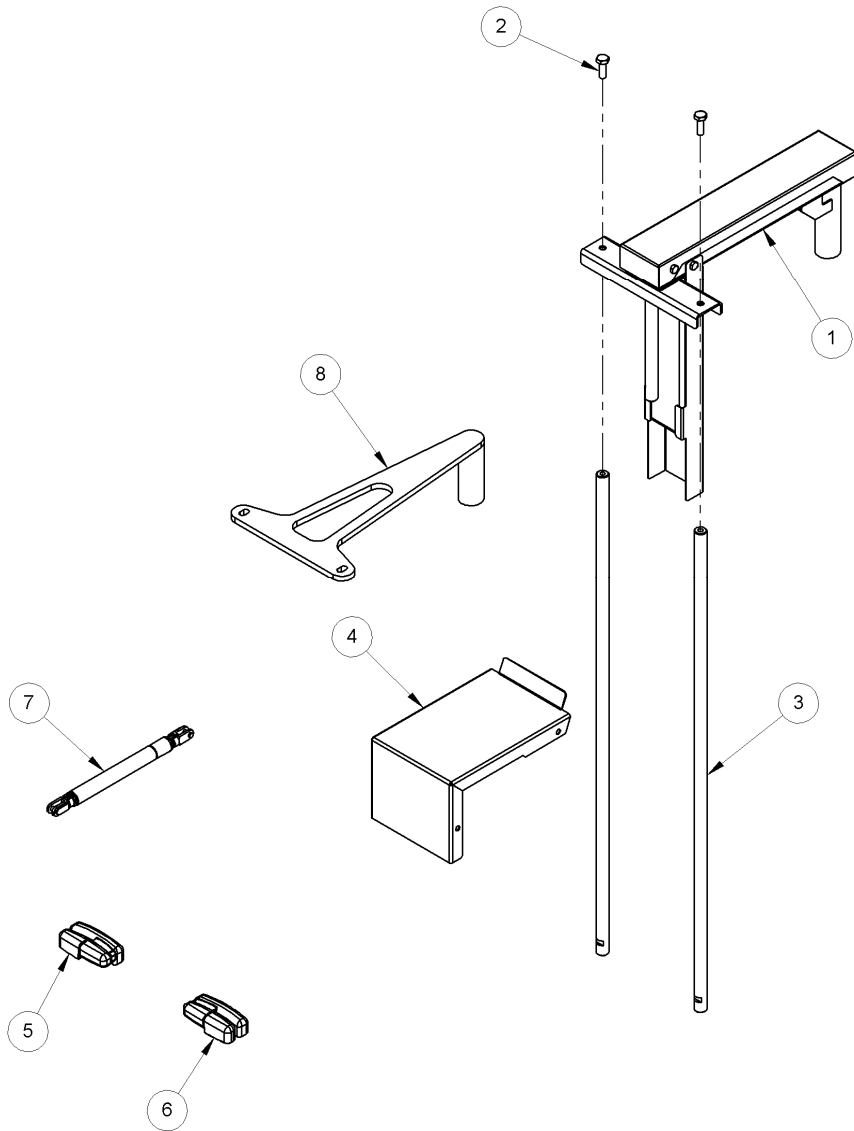
| ITEM NO. | PART NO. | DESCRIPTION | SG14 SSH55 | SE14 | S*H50 |
|----------|----------|----------------------------------|---------------|------|-------|
| 1 | B2104701 | TANK COVER, DAMPER WITH FITTINGS | X | X | X |
| 2 | PP10263 | SWITCH, PROXIMITY ACTUATOR | X | X | X |
| 3 | B2104401 | TANK COVER, WELDMENT SG14* | X | | |
| 3 | B2104402 | TANK COVER, WELDMENT SE14 | | X | |
| 3 | B2104403 | TANK COVER, WELDMENT S*H50 | | | X |

8.6 Cover Assembly built after September 2012



| ITEMNO. | PART NO. | DESCRIPTION | SG14 SSH55 | SE14 | S*H50 |
|---------|----------|--|---------------|------|-------|
| 1 | B2104901 | TANK COVER, WELDMENT SG14* | X | | |
| | B2104902 | TANK COVER, WELDMENT SE14 | | X | |
| | B2104903 | TANK COVER, WELDMENT S*H50 | | | X |
| 2 | B2105001 | TANK COVER, BACK SUPPORT WELDMENT S*14 SPIN | X | X | |
| | B2105002 | TANK COVER, BACK SUPPORT WELDMENT S*H50 SPIN | | | X |
| 3 | 60135702 | BOLT, 10-24 X .500 CARRIAGE SST | X | X | X |
| 4 | 60022903 | WASHER, FLAT #10 SST | X | X | X |
| 5 | P0142000 | NUT, ACORN WITH CENTERLOCK 10-24 SST | | X | X |

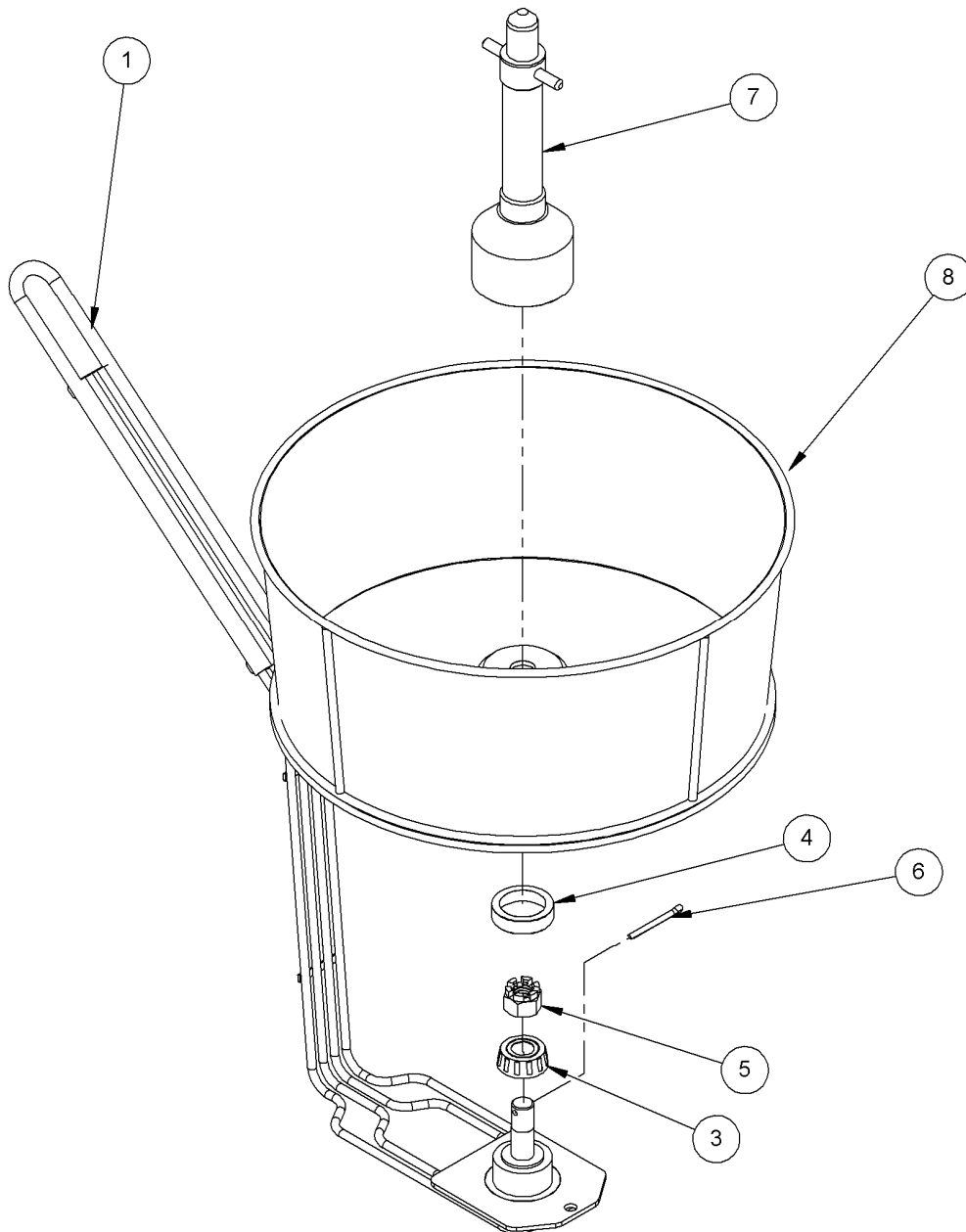
8.7 Miscellaneous Parts



| ITEM NO. | PART NO. | DESCRIPTION | SG14 | SG14R SSH55 | SE14 | S*H50 |
|----------|----------|--|------|----------------|------|-------|
| 1 | B5609901 | BASKET LIFT, TOP PLATE ASSEMBLY SG14R, SSH55 | | X | | |
| | B5609902 | BASKET LIFT, TOP PLATE ASSEMBLY SG14 | X | | | |
| | B5609903 | BASKET LIFT, TOP PLATE ASSEMBLY SE14 | | | X | |
| | B5609904 | BASKET LIFT, TOP PLATE ASSEMBLY S*H50 | | | | X |
| 2 | 60088003 | SCREW, .250-20 X .750 HEX HEAD SST | X | X | X | X |
| 3 | A5624902 | BASKET LIFT, ROD SG SPIN | X | X | X | X |
| 4 | A3366502 | TANK, ENCLOSURE MOTOR COVER SG* SPIN | X | X | | |
| | A3366504 | TANK, ENCLOSURE MOTOR COVER SE* SPIN | | | X | X |
| 5 | 60176901 | HINGE, LIFT OFF BRIGHT CHROME TYPE A | X | X | X | X |
| 6 | 60176902 | HINGE, LIFT OFF BRIGHT CHROME TYPE B | X | X | X | X |
| 7 | B2104702 | TANK COVER, DAMPER WITH FITTINGS | X | X | X | X |
| | B2104701 | FOR UNITS BUILT PRIOR TO 9/2012 | | | | |
| 8 | | OBSOLETE, REPLACE WITH ITEM 1 | X | X | X | X |

8.8 Basket Assembly

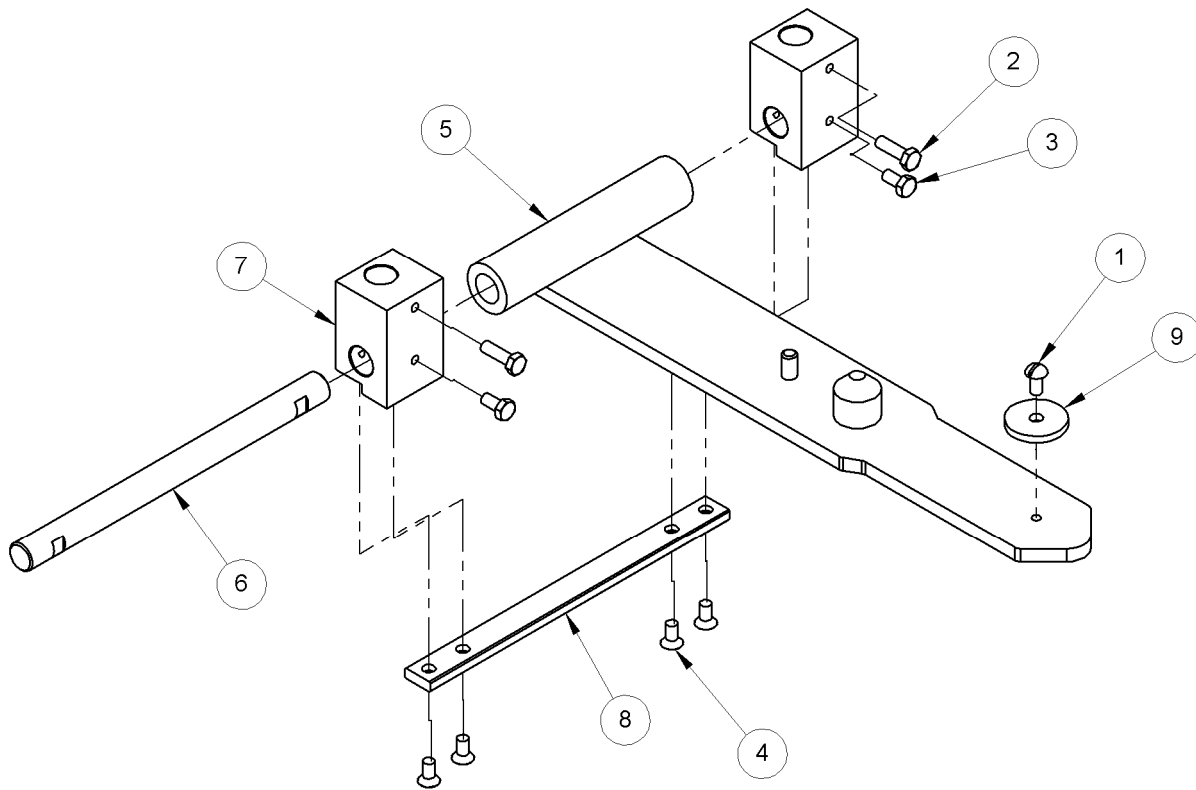
B4516001 Entire assembly (Blue Handle)



| ITEM NO. | PART NO. | DESCRIPTION |
|----------|----------|--|
| 1 | B4515303 | WIRE GOODS, BEARING BASKET HANDLE WELDMENT BLUE |
| 2 | B4515304 | WIRE GOODS, BEARING BASKET HANDLE WELDMENT GREEN |
| 3 | 60183801 | TAPERED ROLLER BEARING ASSEMBLY, BEARING 1.375 O.D. X .500 I.D. |
| 4 | 60183901 | TAPERED ROLLER BEARING ASSEMBLY, OUTER RING (RACER) 1.375 O.D. X .500 I.D. |
| 5 | 60183501 | NUT, SLOTTED HEX (CASTLE) .50-13 THREAD |
| 6 | 6NT202 | PIN, SST COTTER .125 DIA X 1.25 LG. |
| 7 | B4515801 | WIRE GOODS, SPIN BASKET DRIVE POST ASSEMBLY |
| 8 | B4515901 | WIRE GOODS, SPIN BASKET WELDMENT |

8.9 Bottom Assembly

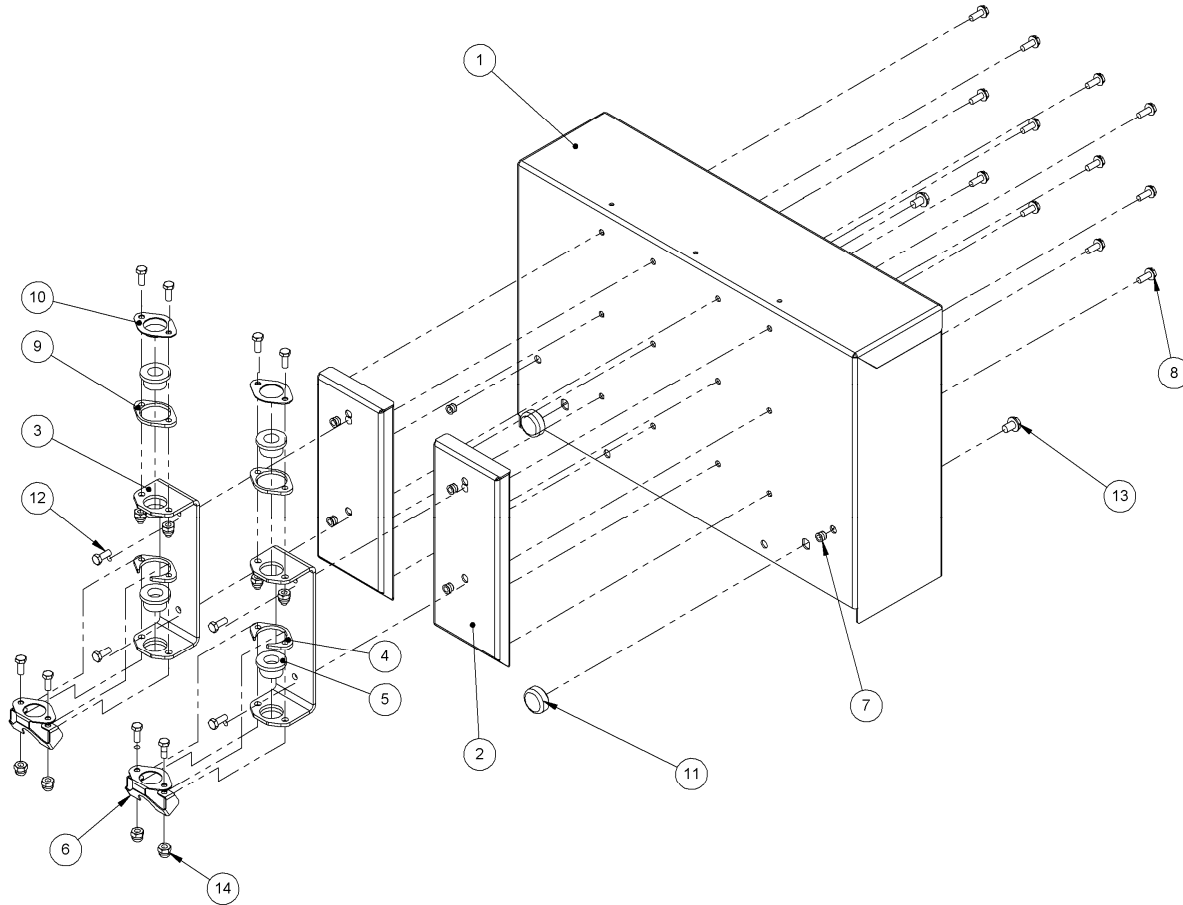
B5608802 Entire assembly



| ITEM NO. | PART NO. | DESCRIPTION |
|----------|----------|--|
| 1 | PP10665 | SCREW,10-24 X .375 RDH SST |
| 2 | 60088013 | SCREW, 10-24 X .625 HEX HEAD SST |
| 3 | 60088012 | SCREW, 10-24 X .375 HEX HEAD SST |
| 4 | 60177401 | SCREW, OVAL 82 DEG X .375 SST |
| 5 | B5609001 | LIFT PLATE |
| 6 | A5625402 | LIFT PLATE, PIVOT BAR |
| 7 | A5625302 | LIFT PLATE,BLOCK |
| 8 | A5625502 | LIFT PLATE STOP |
| 9 | 60022906 | WASHER, FLAT #10 X 1.00 X .125 THK SST |

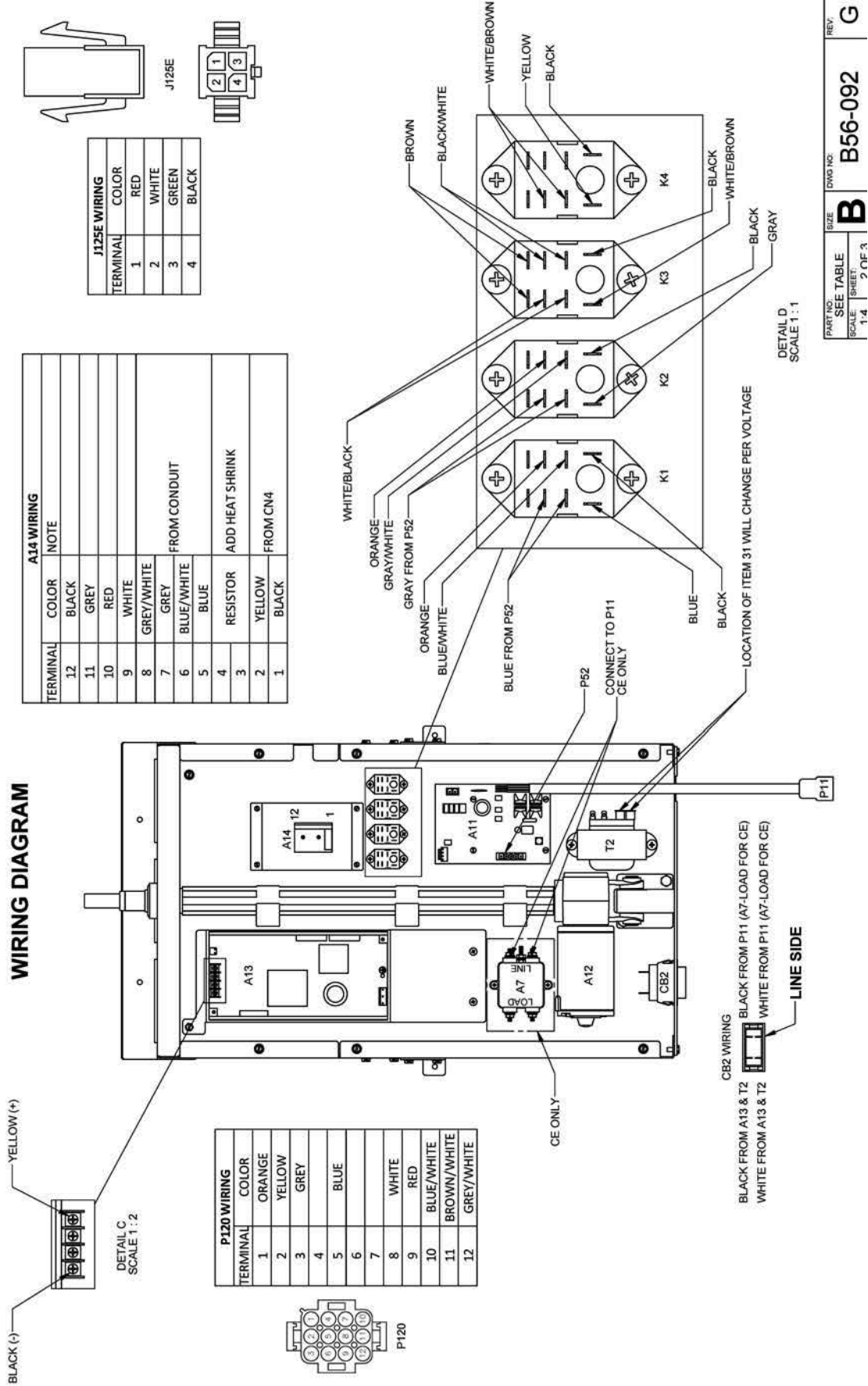
8.10 Splash Back Assembly

B41043xx Entire assembly



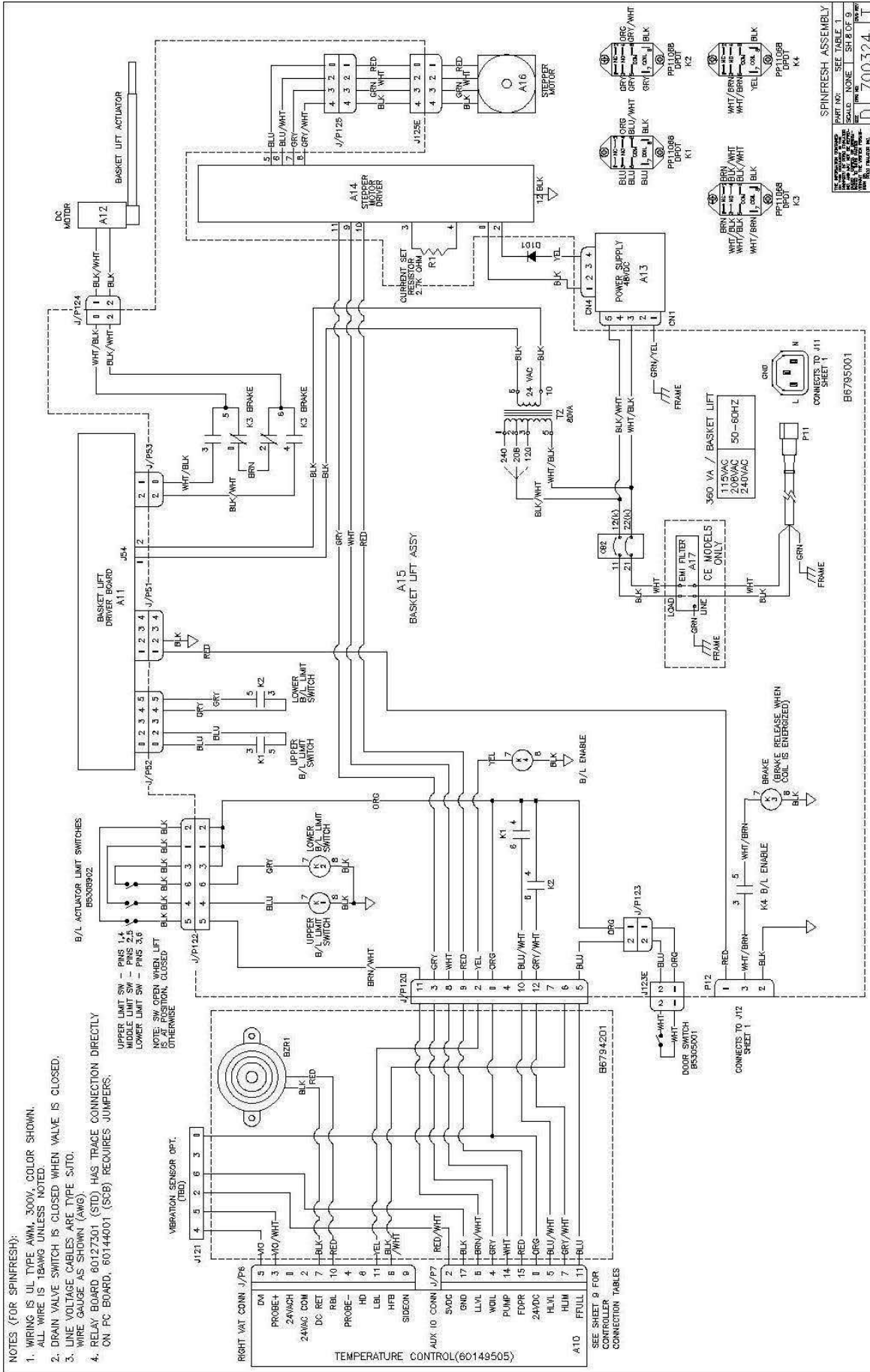
| ITEM NO. | PART NO. | DESCRIPTION | SG14 SSH55 | SE14 | SGH50 | SEH50 |
|----------|----------|--|---------------|------|-------|-------|
| 1 | A4113102 | SPLASH BACK, SPIN SG14* SINGLE | X | | | |
| | A4113108 | SPLASH BACK, SPIN SEH50 SINGLE | | | | X |
| | A4113106 | SPLASH BACK, SPIN SGH50 SINGLE | | | X | |
| | A4113104 | SPLASH BACK, SPIN SE14 SINGLE | | X | | |
| 2 | A5625702 | BASKET LIFT, ROD GUIDE BOX BODY SG14* SPIN | X | | | |
| | A5625704 | BASKET LIFT, ROD GUIDE BOX BODY SE14* SPIN | | X | | |
| | A5625706 | BASKET LIFT, ROD GUIDE BOX BODY S*H50 SPIN | | | X | X |
| 3 | A5625002 | BRACKET, ROD BEARINGS | X | X | X | X |
| 4 | A5626702 | RING, ROD BEARINGS INNER BOT | X | X | X | X |
| 5 | 60054903 | BEARING, PTFE .5 ID | X | X | X | X |
| 6 | A5626602 | DEFLECTOR, ROD GUIDE | X | X | X | X |
| 7 | P0092500 | NUTSERT, 10-24 UNC | X | X | X | X |
| 8 | P0075400 | SCREW, 10-24 X .500 SELF TAPPING | X | X | X | X |
| 9 | A5625202 | RING, ROD BEARINGS INNER | X | X | X | X |
| 10 | A5625102 | RING, ROD BEARINGS | X | X | X | X |
| 11 | 60132001 | TANK, STUD SPLASH BACK SCREW ON | | X | | X |
| 12 | P0112000 | SCREW, 10-24 X .500 HEX HEAD SST | X | X | X | X |
| 13 | 60118201 | SCREW, .250-20 X .375 HEX FLANGED HEAD SST | | X | | X |
| 14 | P0142000 | NUT, ACORN WITH CENTERLOCK 10-24 SST | X | X | X | X |

9 Basket Lift Wiring Diagram



| | | | | |
|----------|-----------|------|---------|------|
| PART NO. | SEE TABLE | SIZE | DWG NO. | REV. |
| SCALE | 1:4 | B | B56-092 | G |
| REV. | 1 | | | |

10 Schematic



Notes:

Notes:

In the event of problems with or questions about your order, please contact the Factory at:

+001 (603) 225-6684 (World Wide)

In the event of problems with or questions about your equipment, please contact the Pitco Authorized Service and Parts representative (ASAP) covering your area, or contact Pitco at the number listed to the left.

MAILING ADDRESS – P.O. BOX 501, CONCORD, NH 03302-0501
SHIPPING ADDRESS – 10 FERRY ST., CONCORD, NH 03301

SPINFRESH™ is a trademark of Spinfry inc.