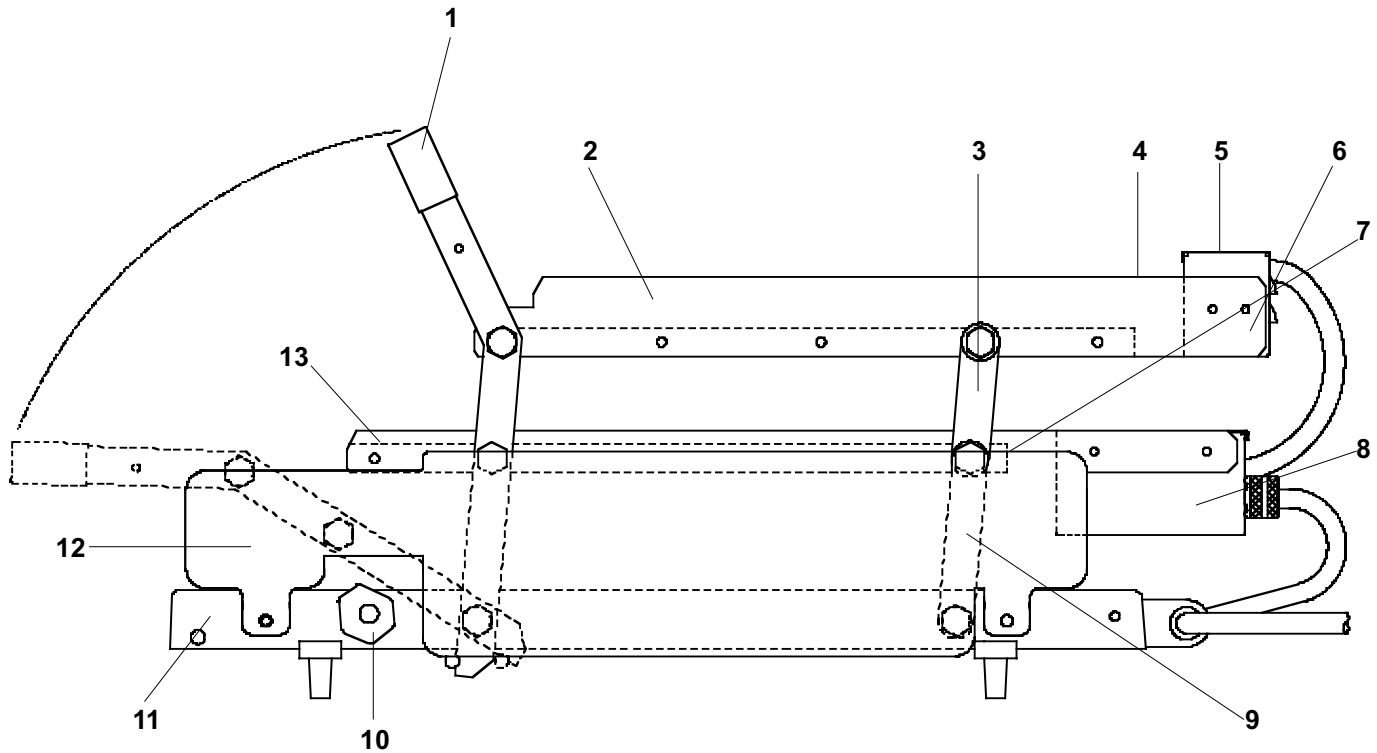


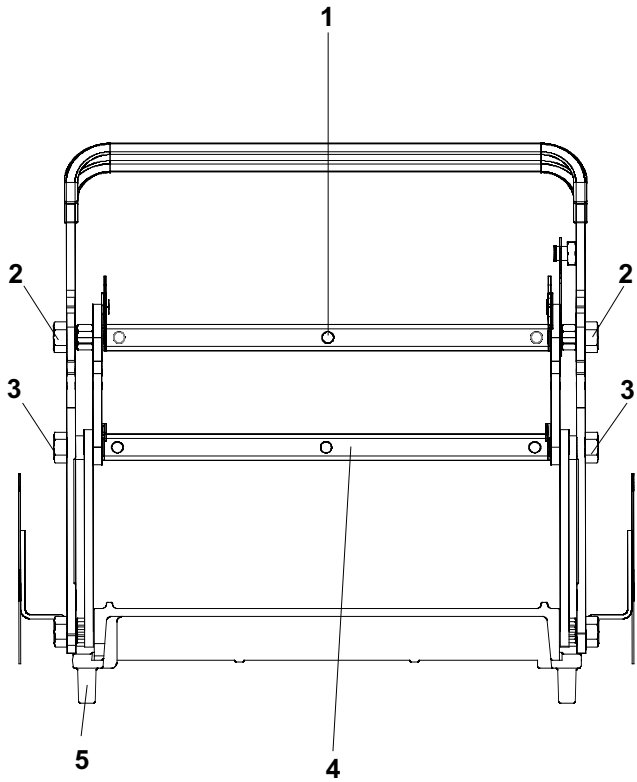
SIDE VIEW



PARTS LIST

ITEM	PART NUMBER	DESCRIPTION
1	411-149S	Handle and Lever Assy.
2	411-441	Right Hand Upper Bun Fence
	411-440	Left Hand Upper Bun Fence
3	411-161S	Upper Rear Lever Assy.
4	411-378	Upper Rear Bun Fence
5	411-31	Upper Cover
6	411-283	Upper Chassis
7	411-381	Lower Rear Bun Fence
8	411-741	Lower Chassis
9	411-459S	Lower Rear Lever Assy.
10	411-137	Right Hand Stop Block
	411-138	Left Hand Stop Block
11	411-2S	Base
12	411-444	Side Panel, Right Hand
	411-445	Side Panel, Left Hand
13	411-379	Right Hand Lower Bun Fence
	411-380	Left Hand Lower Bun Fence
Not Shown	411-114	Safety Latch
Not Shown	411-131	Bun Board

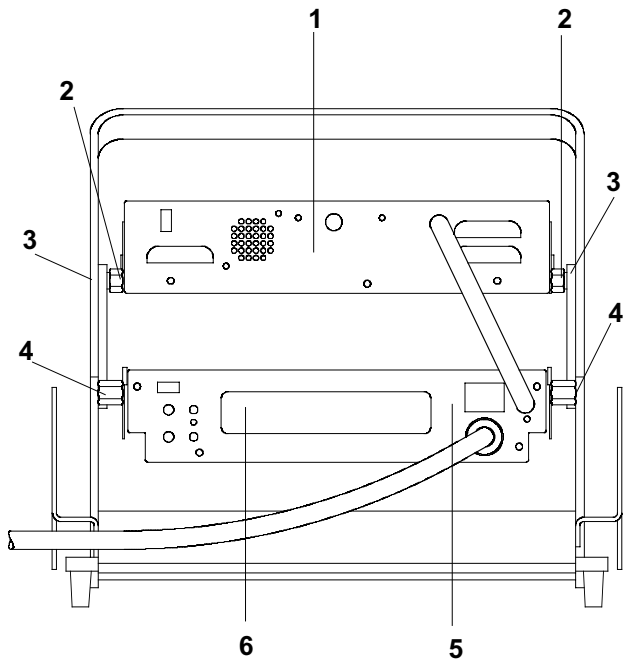
FRONT VIEW



PARTS LIST

ITEM	PART NUMBER	DESCRIPTION
1	411-483S	Upper Platen 230V
2	411-60	Front Upper Platen Stud
3	411-60	Front Lower Platen Stud
4	411-486S	Lower Platen 230V
5	89-959S	Foot (Pkg. of 4)

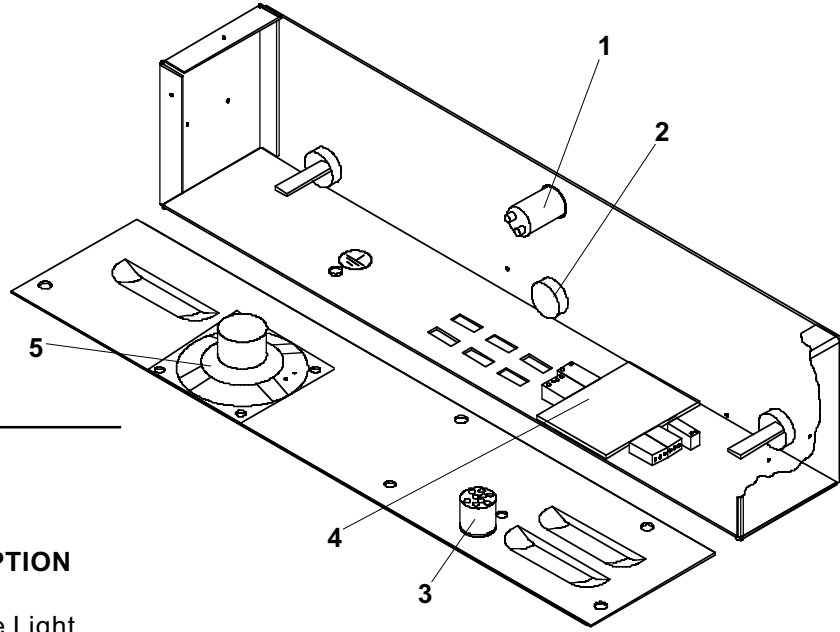
REAR VIEW



PARTS LIST

ITEM	PART NUMBER	DESCRIPTION
1	411-712	Upper Faceplate
2	411-57	Platen Spacer
3	411-147	Rear Upper Platen Stud
4	411-61	Rear Lower Platen Stud
5	411-705	Lower Faceplate
6	411-707	Overlay

INTERNAL VIEW UPPER CONTROL BOX



PARTS LIST

ITEM	PART NUMBER	DESCRIPTION
1	213-257S	Bun Done Light
2	411-700S	Upper Probe
3	411-740	Interconnect Cable
4	411-14S	Interconnect Board
5	213-229S	Speaker

INTERNAL VIEW LOWER CONTROL BOX

PARTS LIST

ITEM	PART NUMBER	DESCRIPTION
1	65-053-04S	Relay
2	411-700S	Probe
4	72-301S	Power Cord
5	78-166S	Rocker Switch
6	411-427-02S	Control Display P.C. Board, 200-230V

