

OPERATING INSTRUCTIONS

Dedicated Holding Bin Model No. DHB2PT-30 DHB4PT-30 & DHB4-30



DHB2PT-30



DHB4PT-30



DHB4-30 (Non Pass Through)



CLASSIFIED 59GM
AS TO NSF4-1996

ELECTRICAL SPECIFICATION

Model	Volts	HZ	Watts	Amps
DHB2-30	208	60	1800	8.6
DHB2-30L	120	60	1650	13.8
DHB2-30J	200	50/ 60	1650	8.3
DHB2PT-30	208	60	1800	8.7
DHB2PT-30L	120	60	1650	13.8
DHB2PT-30J	200	50/60	1650	8.3
DHB2PT-30CE	220-240	50	1900	7.9
DHB2PT-30GB	240	50	1900	7.9
DHB4PT-30	208	60	3600	17.3
DHB4PT-30J	200	50/60	3400	17.0
DHB4PT-30CE	220-240	50	3800	16.0
DHB4PT-30GB	240	50	3800	16.0
DHB4-30	208	60	3600	17.3
DHB4-30J	200	50/60	3400	17.0
DHB4-30CE	220-240	50	3800	16.0
DHB4-30GB	240	50	3800	16.0

TABLE OF CONTENTS

PAGE

Installation	2
Programming	2-3
Operating	4
Cleaning	4
Parts List	4
Exploded View	5
Troubleshooting	6
Wiring Diagrams	7

LIMITED WARRANTY

This product is warranted to be free from defects in material and/or workmanship for a period of 1 year from date of original installation, not to exceed 18 months from the date of manufacture.

Any component which proves to be faulty in material and/or workmanship will be replaced or repaired (at the option of Prince Castle, Inc.) without cost to the customer for parts and labor. This warranty covers on-location service (i.e. trip charges and/or mileage). Travel mileage is limited to 100 miles (200 Kilometers) round trip (one trip warranty) from an authorized service agency or its sub-service agency.

This warranty is subject to the following exceptions/conditions:

- Use of any non-genuine Prince Castle parts voids this warranty.
- All labor to be performed during regular work hours. Overtime premium (the incremental amount) will be charged to the customer.
- Damage caused by carelessness, neglect and/or abuse (e.g., dropping, tampering or altering parts, equipment damaged in shipment, by fire, flood or an act of God) is not covered under this warranty.
- All problems due to operation at voltages other than that specified on equipment nameplates are not covered by this warranty. Conversion to correct voltage is the customer's responsibility.
- This equipment must be serviced by Prince Castle Authorized Service Agency or a Prince Castle Service Technician during the warranty period.

INSTALLATION

1. After you have removed the unit from the carton, inspect the unit for signs of damage. If there is damage to the unit:
 - Notify carrier within 24 hours after delivery.
 - Save carton and packing materials for inspection purposes.
 - Contact the Prince Castle Customer Sales Department at 1-630-462-8800 to arrange for a replacement to be sent.
1. Place the bin on a counter and seal its base to the counter with food-approved sealant.
2. Insert the power cord into a proper voltage receptacle. Note: This should be a dedicated outlet. No other equipment should be operating on this line (i.e. fryers, refrigerators, etc.)
3. Install the rack and pan covers into the bin. Pan covers are used for pans that hold grilled, broiled, or baked meat products. Do not install the pan cover on pans that hold fried foods.
4. Turn the power switch on. Allow 30 minutes for warm-up.

THE TEMPERATURE CONTROL PANEL

1. Indicators and Displays

Within the four character digital display there are LED indicators. The four character digital display shows the numerical value of the temperature, and the LED indicators display the following:

- The LED indicator next to the **UPR HTR** (for the **UPPER HEATER**) is on when the temperature being displayed is for the upper heater.
- The LED indicator next to the **PROG** is on when in the Program Mode.
- The LED indicator next to the **LWR HTR** for the **LOWER HEATER**) is on when the temperature being displayed is for the lower heater.
- The LED indicator next to the **HEAT** is on when power is applied to the selected heater.

2. Control Panel buttons and LED indicators

- **SET POINT:** The set-point temperature is displayed for the selected heaters when this button is pressed during the operating mode.

The SET POINT LED indicator will be on when the Set-point mode is selected. Press and hold the Prince Castle button then press and hold the SET-POINT button to program the temperature for the selected heater.

- **ACTUAL TEMP:** The actual temperature is displayed for the selected heaters when this button is pressed during the operating mode and the ACTUAL LED indicator will be on.
- **UP ARROW** and **DOWN ARROW:** When pressed in the operating mode, will scroll through the upper and lower heaters for all four cavities to display either the actual or set point temperature. The LED next to the **UPPER SHELF** or **LOWER SHELF** will be on to indicate which heater is being selected. The letters **A, b, C,** and **d (A & B for 2 Shelf Units)** are displayed to show the selected cavity location for the upper and lower heaters.

When reading the digital display from left-to-right, the following information is displayed: The **Upper** or **Lower** heater for the **selected cavity (A, b, C, or d)(A & B for 2 shelf units,** if power is being applied to the **heater,** and if the display temperature is the **ACTUAL** or **SET-POINT** temperature.

PROGRAMMING

The temperature adjustment range for a heater is: OFF, 150°F to 225°F (OFF, 65°C to 107°C). The recommended starting setpoint temperatures are:

- 190°F (88°C) for the Upper Shelves.
- 190°F (88°C) for the Lower Shelves.
- **NOTE:** Through testing, these temperatures may be increased or decreased as long as the food quality and desired temperature of the product being tested is maintained.

Programming Set Point Temperatures

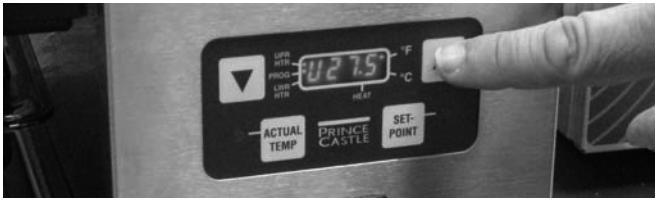
1. Press and release the **UP** or **DOWN** arrow button until the heater in the cavity to be changed is selected.



2. Press and hold the **SET POINT** button then press and hold the **PRINCE CASTLE** button for 6 seconds. The LED indicator next to **PROG** will light to indicate the Program Mode is active.



3. Use the **UP** and **DOWN** arrow buttons to increase or decrease the setpoint temperature.



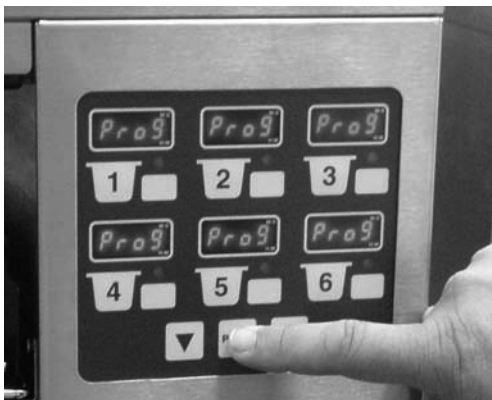
4. Press the **SET POINT** button to end the Program Mode and store the setpoint temperature value (the LED next to **PROG** will turn off). The controller will regulate to the new setpoint temperature.



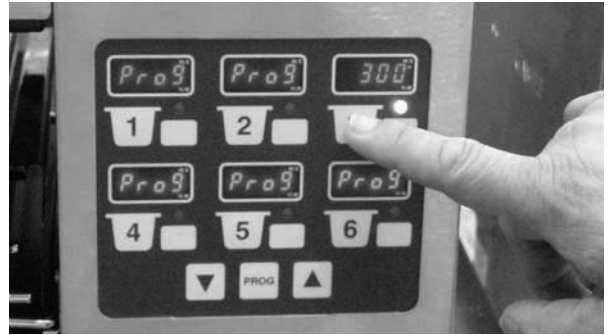
5. Repeat Steps 1-4 for remaining heaters.

Programming Timers

1. Press and hold the **PROG** button for 6 seconds. All six timer displays will change to show **Prog**.



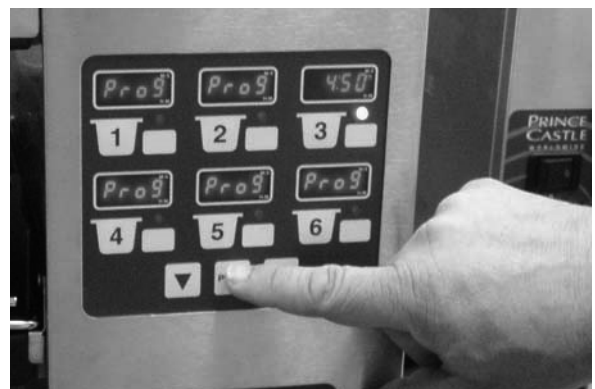
2. Press the timer button to change. The timer button LED will change to yellow and the current programmed time is displayed.



3. Press the **UP** or **DOWN** arrow buttons to set the time. Time values below 60 minutes will cause the **M:S** led to light, and time values equal to or greater than one hour will cause the **H:M** led to light.



4. Repeat steps 2 and 3 for other timers. Press the **PROG** button to store the new values and end the Program Mode.



OPERATION

The default temperature mode is set to display in Celsius. To change to Fahrenheit, turn the power switch off. Press and hold the **UP** arrow then turn the power switch to the on position. After two seconds, release the **UP** arrow button. To change back to Celsius, turn the power switch to the off position, press and hold the **DOWN** arrow and turn the power switch to the on position. After two seconds, release the **DOWN** arrow button.

To view the actual heater temperature, press the **ACTUAL TEMP** button. The LED indicator next to the **ACTIVE TEMP** button will light. To view the temperature if a heater, press the **UP** or **DOWN** arrow button to select the heater.

1. Press the timer button to start the timer. The timer display shows the time value and counts down to zero. The timer button LED is green for the first 70 percent of the hold time, yellow for the next 20 percent, and red for the final 10 percent.
2. At the end of the hold time, an alarm sounds, the timer button LED flashes, and the display flashes **End**.
3. Press the timer button to cancel the alarm.
4. To cancel an active timer, quickly press the timer button three times.
5. To adjust the alarm sound volume, press and hold the **PROG** button then press the **UP** button. Release both button, the alarm is set to the high level. Press and hold the **PROG** button then press the **DOWN** button. Release both buttons; the alarm is set to the low level.

CLEANING



Caution: This bin is not watertight. Do not clean with Water Jet/Jet Spray. Do not immerse the bin with water.

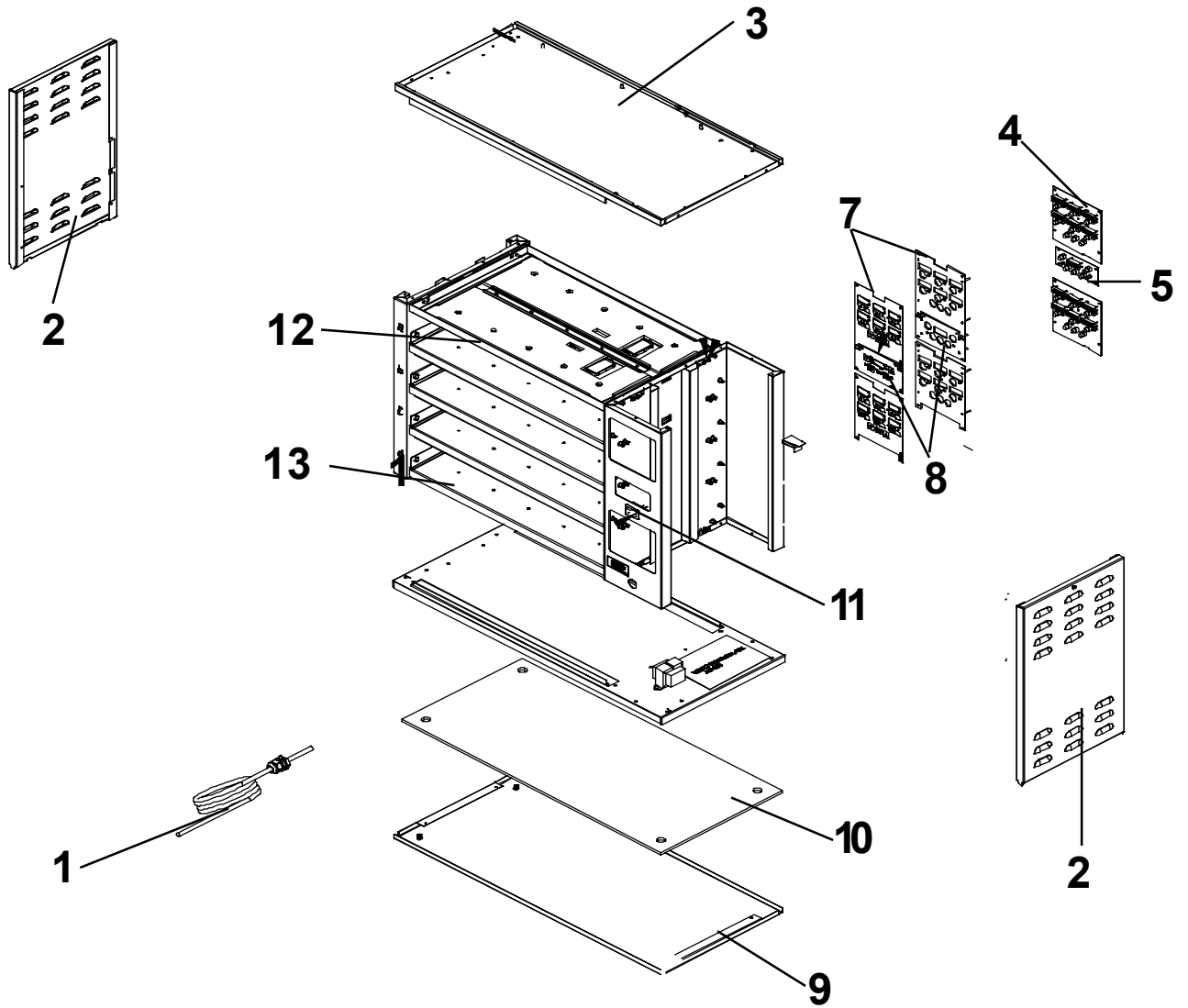


Caution: Before unplugging the power cord, make sure the power switch is in the OFF position.

1. Unplug the power cord from the outlet.
2. Allow the bin to cool down (approximately 25 minutes).
3. Remove the racks, pans and pan covers. Clean in power washer.
4. Wipe down surface with a damp cloth. Do not use a green Scotch Bright pad, unapproved cleaner, ice or water.
5. Reinstall racks, pans, and pan covers.

PARTS LIST

ITEM	PART	DESCRIPTION
1	72-356S	Power Cord (DHB4PT-30 & DHB4-30)
	72-342S	Power Cord (DHB2PT-30)
2	548-050	Cover, Side (DHB2PT-30)
	545-031	Cover, Side (DHB4PT-30 & DHB4-30)
3	545-054	Cover, Top
4	545-044S	PCB, Timer
5	545-046S	PCB, Display
6	545-047S (Not Shown)	Main PCB (DHB4PT-30 & DHB4-30)
	548-051S (Not Shown)	Main PCB (DHB2PT-30)
7	545-034S	Overlay & Face Plate (Timer)
8	545-039S	Overlay & Face Plate (Main)
9	545-050	Cover, Bottom
10	545-076	Insulation
11	78-184S	Lighted Rocker Switch
12	548-017S	Upper Heater Assy.
13	548-013S	Lower Heater Assy.
14	545-072 (Not Shown)	Cover, Rear (DHB4-30 Only)



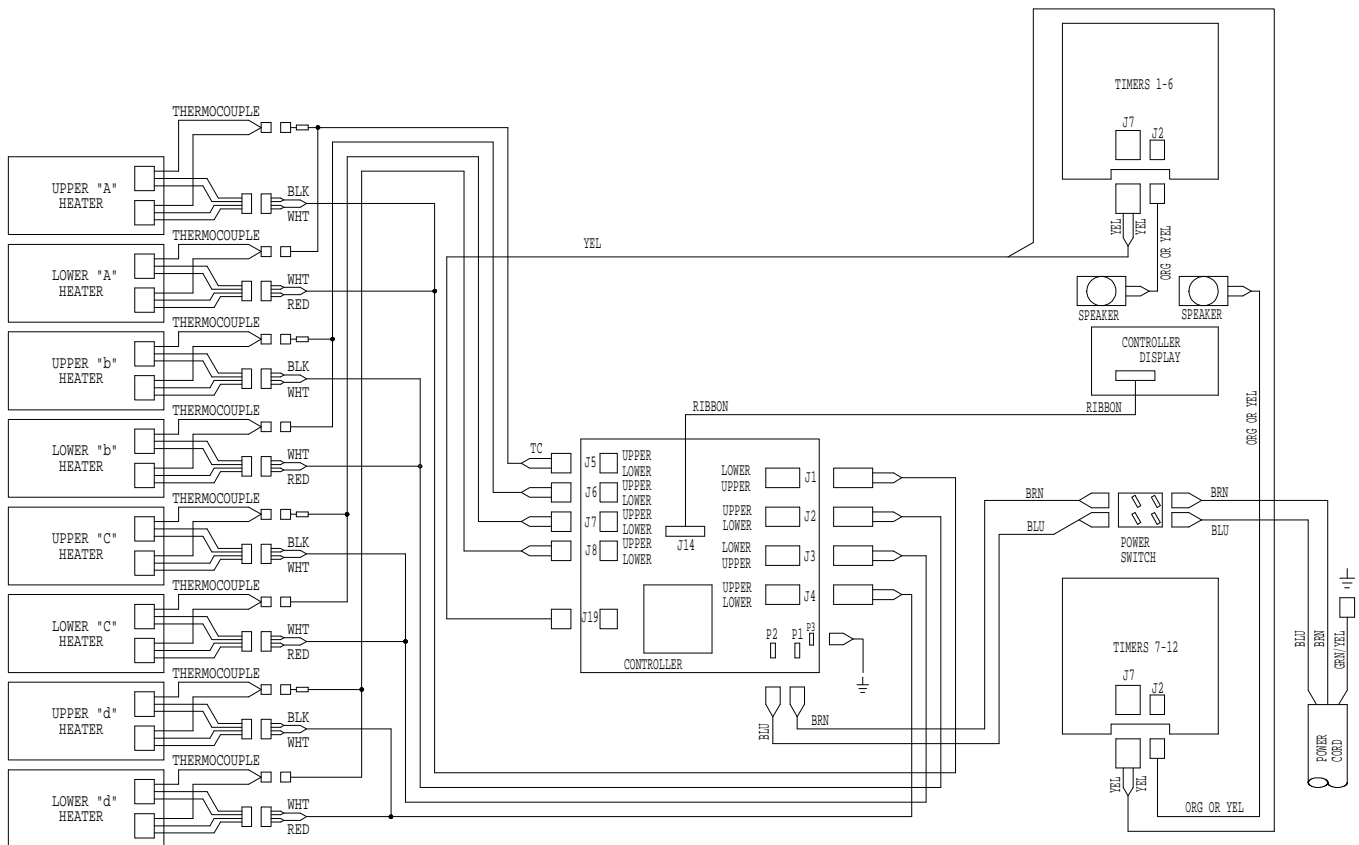
TROUBLESHOOTING

Problem	Cause	Solution
A. Display flashes "Opn" & "rEL"	Open relay. Circuit inoperable	Replace Power Circuit Board
B. Display flashes "SHr" & "rEL"	Shorted relay. Circuit inoperable. Open heater. Power and Main Circuit Boards.	Replace Power Circuit Board. Test heater resistance.(150.2 Ohms) Replace Heater Verify ribbon cable connection.
C. Display shows "LLL"	Temperature is below 75° F Heater inoperable. Probe inoperable. Relay Inoperable	Normal display during warm up. Test heater resistance.(150.2 Ohms) Check for open thermocouple wires from probe. Replace heater/probe assembly.
D. Display shows "HHH" for an extended period of time and heater surface temperature is hot. Display shows "HHH" for an extended period of time and heater surface temperature is cool.	Temperature is above 300° F (abnormal operation) Probe is inoperable	Diagnostic circuit inoperable. Replace Power Circuit Board. See B above. Check for pinched thermocouple wires from probe. Replace heater/probe assembly.

To reset all times and temperatures to the factory settings, turn unit off, press and hold the **UP** and **DOWN ARROW BUTTONS** at the same time, turn unit back on. A **"P"** will appear in the display and all times and temperatures will be reset to the original factory settings.



WIRING DIAGRAM (DHB4PT-30 & DHB4-30)



WIRING DIAGRAM (DHB2PT-30 & DHB2-30)

