

Operation Manual



Extend Holding Bin
EHB Series



ATTENTION: Read the instructions before using the machine.

LIMITED WARRANTY

This product is warranted to be free from defects in material and/or workmanship for a period of 3 years (repair parts) and 2 years (service labor) from date of original installation, not to exceed 30 months from the date of manufacture.

Any component which proves to be faulty in material and/or workmanship will be replaced or repaired (at the option of Prince Castle LLC) without cost to the customer for parts and labor. This warranty covers on location service (i.e. trip charges and or mileage). Travel mileage is limited to 100 miles (200 Kilometers) round trip (one trip warranty) from an authorized service agency or its sub-service agency.

This warranty is subject to the following exceptions/conditions:

- Use of any non-genuine Prince Castle parts voids this warranty.
- All labor to be performed during regular work hours. Overtime premium (the incremental amount) will be charged to the customer.
- Damage caused by carelessness, neglect and/or abuse (e.g., dropping, tampering or altering parts, equipment damaged in shipment, by fire, flood or an act of nature) is not covered under this warranty.
- All problems due to operation at voltages other than that specified on equipment nameplates are not covered by this warranty. Conversion to correct voltage is the customer's responsibility.
- This equipment must be serviced by Prince Castle Authorized Service Agency or a Prince Castle Service Technician during the warranty period.

Note: When connected to the Kitchen Minder, the Transfer and Menu functions are disabled on the button bar.

TABLE OF CONTENTS

Model Identification	2
Model Specifications	2
Safety Information	2
Configurations	3
Product Identification	4
Installation	4
Operation	5
Standalone Mode	6
Setting Product Location (Standalone Mode)	7
Cleaning	7
Setting the Temperature	8
Calibrating the Heaters	9
Changing the Hold and Cook More Times	10
Changing Product Names	11
Changing Temperature Scale	12
Adjusting Alarm Volume	12
Default Menu	13
Zone Layouts	13
Troubleshooting	14
Diagnostics	15
Wiring Diagrams	16-17
Exploded Views	18



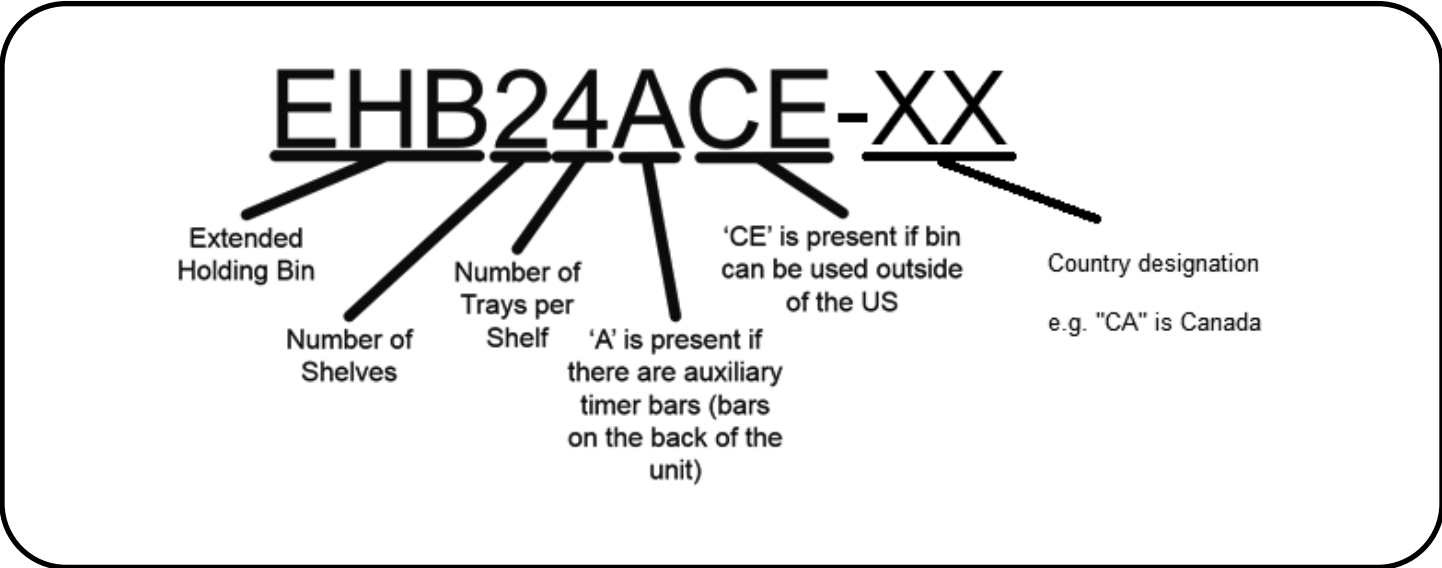
355 EAST KEHOE BLVD. ~ CAROL STREAM, IL, 60188, USA
PHONE: 630-462-8800 ~ TOLL FREE: 1-800-PCASTLE
FAX 630-462-1460 ~ WWW.PRINCECASTLE.COM

Extend Holding Bin

EHB Series



Model Identification



Model Specifications

STYLE	MODEL NO.	WIDTH (mm)	HEIGHT (mm)	DEPTH (mm)	WEIGHT (kgs)	VOLTAGE	AMPS
2H X 2W	EHB22A	19.7 (500)	11.1 (282)	14.1 (358)	64 lbs. (29.0)	208-240	3.8-4.3
2H X 3W	EHB23A	27.2 (691)	11.1 (282)	14.1 (358)	74 lbs. (33.6)	208-240	6.8-7.8
2H X 4W	EHB24A	33.2 (843)	11.1 (282)	14.1 (358)	97 lbs. (44.0)	208-240	9.0-10.4
3H X 2W	EHB32A	19.7 (500)	18.3 (465)	14.1 (358)	80 lbs. (36.3)	208-240	6.8-7.8
3H X 4W	EHB34A	33.2 (843)	18.3 (465)	14.1 (358)	120 lbs. (54.4)	208-240	13.5-15.6
4H X 2W	EHB42A	19.7 (500)	20.6 (523)	14.1 (358)	94 lbs. (42.6)	208-240	7.5-8.7

NOTE: All Model Numbers above are for double-sided units (with auxiliary timer bars). For single-sided, remove the letter "A"

NOTE: For international (outside of the US) add "CE" to the end of the model number.

NOTE: Weight (kgs) is shipping weight.

Safety Information

WARNING

Indicates information important to the proper operation of the unit. Failure to observe may result in damage to the equipment and/or severe bodily injury or death.

CAUTION

Indicates information important to the operation of the unit. Failure to observe may result in damage to the equipment.

Safe Service Practice

The service manual is intended for use by persons having electrical and mechanical training and a level of knowledge. PRINCE CASTLE cannot be responsible, or assume any liability for injury or damage arising from the use of this manual.

To avoid personal injury and/or property damage, it is important that safe service practices be observed, including the following:

- Do not service this unit without first reading this manual.
- Do not attempt a repair, if you have doubt as to your ability.
- Do not attempt to replace any components, unless all power has been disconnected.

Configurations



EHB22A



EHB23A



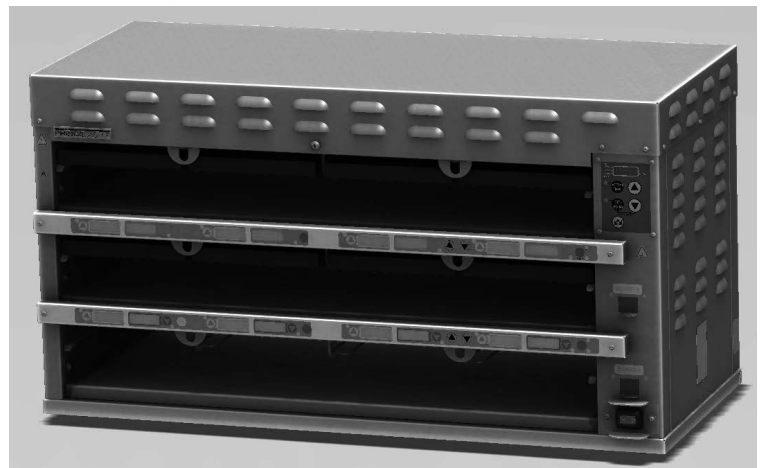
EHB32A



EHB24A



EHB42A



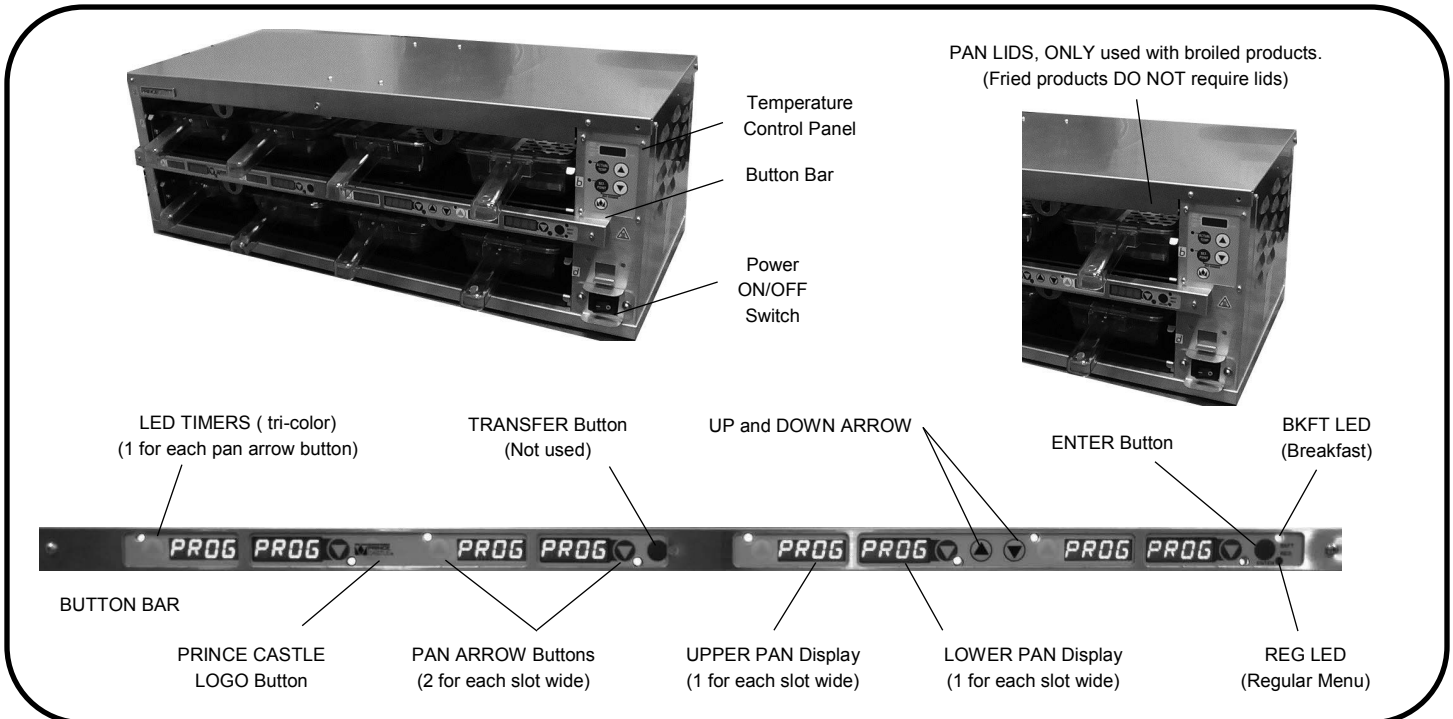
EHB34A

Extend Holding Bin

EHB Series



Product Identification



Installation

1

Remove the unit from the carton and inspect for signs of damage. If there is damage to the unit:

- notify the carrier within 24 hours of delivery
- save carton and packaging materials for inspection purposes
- contact your local dealer, or if purchased directly, the Prince Castle Sales Department at 800-722-7853 or 1-630-462-8800 to arrange for a replacement unit.

NOTE: Plug the power cord into the proper electrical receptacle. All electrical connections must be in accordance with local electrical codes and any other applicable codes.

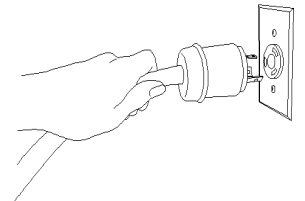
2

Place Extend Holding Bin on flat surface.
Remove blue and/or white protective covering.

NOTE: When installing this unit, the ambient temperature at the mounting site should not exceed 100°F (38°C)

3

Plug unit into a grounded receptacle with a matching plug configuration.




WARNING:

All electrical connections must be in accordance with local electrical codes and any other applicable codes. If the supply cord is damaged, it must be replaced by the manufacturer, its service agent, or similarly qualified persons in order to avoid a hazard. To prevent an electric shock hazard this device must be bonded to equipment in close proximity with an equipotential bonding conductor. This device is equipped with a grounding lug for this purpose.

Operation

⚠ WARNING: This application is not intended for use by persons (including children) with reduced physical, sensory or mental capabilities, or lack of experience and knowledge, unless they have been given supervision or instruction concerning use of the appliance by a person responsible for their safety.


1 To turn on the unit,
 Turn Power On/Off switch (A) to **ON** position.



Allow 20 minutes for heaters to reach operating temperature. The button bar will read "WARM UP" as the unit warms up, they will display the product names.

NOTE: Load pan covers (if used) and insert pans into the unit.


2 Press all Pan Arrow buttons.
 The Pan displays will show the assigned product name.



If no product is assigned, the display will be dim and show "----". Pressing the Pan Arrow button will not activate the timer if "----" is displayed. Pressing Pan Arrow button when product name is displayed will start timing cycle.

BKFT (Breakfast) or **REG** (Regular Menu) will be lit depending on pre-programmed menu.


3 LED Timing Status



LED TIMERS

- OFF** (steady) = Ready for product
- RED** (flashing) = Discard product
- GREEN** (steady) = Oldest product, use first
- GREEN** (flashing) = Cook more product
- YELLOW** (steady) = Newer product, use green first
- YELLOW** (flashing) = Cook more product

4 When **LED** is off, load product and press the Pan Arrow button.



If more than one pan is active for a product, the **LED** for the first pan loaded will turn to **GREEN**.

If only one pan is active for a product, the **LED** will turn to **GREEN**.

The **LED** for the 2nd pan loaded with the same product will turn from **GREEN** to **YELLOW**.

The **LED** timer can be stopped (cancelled) at any time by pressing and releasing the corresponding **PAN** Arrow button.

5 When any of the timer **LED** flash, cook more product. If red **LED** is flashing, remove and discard product as

- GREEN** (flashing) = Cook more product
- YELLOW** (flashing) = Cook more product
- RED** (flashing) = Discard product



⚠ WARNING: HOT SURFACES

Extend Holding Bin

EHB Series



Standalone Mode

NOTE: Prince Castle Holding bins are not to be connected to each other unless a Kitchen Minder is in use. If attempting to configure bins with Kitchen Minder, please refer to the included Kitchen Minder Setup Manual

1 Set all bin addresses to **bin1**.

The factory default address for all bins and timers is address **bin1**.

To check the bin address, press and hold the **ACTUAL TEMP** and **SETPOINT** buttons. The display will show the bin address. Default for a new address is **bin1**.

2 To change a bin address, disconnect power to the unit and wait 10 seconds. Reconnect power to the unit and immediately press and hold the **ACTUAL TEMP** and **SETPOINT** buttons.

NOTE: Continue to hold the buttons until **PROG LED** turns on.

3 Use the **UP** or **DOWN** Arrow button to scroll to the desired address. Press the **PRINCE CASTLE CROWN** button to store the new address.

Available addresses are:
bin1 thru **bin6**,
bin1 will always be used when not using Kitchen Minder.

4 Set Timer Bar addresses.

Since each bin is addressed **bin1**, the bottom bar on each bin will be addressed **bar2**. If there is an upper bar on a bin, it will be addressed **bar3**.

Remember: if there are bars on the back of the unit, they do not need to be addressed separately, they follow the front.

NOTE: This naming scheme only is true without a kitchen management system, if hooked up to a system like Kitchen Minder, it is different. See its user manual for details.

5 To check the timer address, press and hold the **PRINCE CASTLE LOGO** button on the button bar and the **DOWN** Arrow button. The current timer address will be displayed in the far right timer display. To change the timer address, proceed to Step 6.

6 To change the timer address, disconnect power to the unit and wait 10 seconds. Reconnect power to the unit and immediately. Press and hold the **PRINCE CASTLE LOGO** button on the button bar and the **DOWN** Arrow button until the display shows **SET ADDR** and **ENTR BAR2**. The address number will blink on/off.

7 Use the **UP** or **DOWN** Arrow button to scroll to the desired address. Press the **ENTER** button to store the new address and return to normal operating mode. Press the **PRINCE CASTLE LOGO** button on the button bar to save the setting. Available addresses are: **Bar2** thru **Bar7**

NOTE: Bar addresses are numbered from the bottom up

Setting Product Location (Standalone Mode)

1 To change a menu selection for a specific pan cavity, use the following steps:

A. Press and hold the **PRINCE CASTLE LOGO** button for 6 seconds. All Pan displays will show **PROG**. All LED Timers will be **RED**.

C. Press the **UP** or **DOWN** Arrow button to scroll to the desired menu item.

D. Press the **ENTER** button to select the menu item.



B. Press a Pan Arrow button to change the menu. The LED Timer will change to **YELLOW** and the display will change from **PROG** to the assigned menu item.

E. Repeat steps A – D as required for other Pan displays. Press the **PRINCE CASTLE LOGO** button to exit the Program Mode.

NOTE: A pan may be set as "not used" by assigning "- - -" as its product.

NOTE: Setting a pan to a particular product will automatically change the other pan in that zone to the same product.

2 To shut down the unit, turn the Power On/Off switch (A) to **OFF** position.



Cleaning

! WARNING:
 Before performing any maintenance, turn the power switch to the OFF position and unplug the power cord from the electrical receptacle.

! CAUTION:
 This unit is not watertight. Do not clean with a water jet/jet spray. Do not immerse the unit in water.
 1. Turn the unit off and unplug the power cord from electrical receptacle.
 2. Remove the pans and covers. Wipe all parts and unit with a damp cloth.
DO NOT use a green Scotch Bright pad cleaner, ice or water.

Extend Holding Bin

EHB Series



Setting the Temperature

The unit has multiple shelves, each with both an upper and lower heater for each zone. The heaters follow the default setpoints of the preset products for each pan. Each heater has a programmable range of 150° – 275°F (66° – 135°C). Use the instructions below and the following steps to set the setpoint temperatures for each heater.

NOTE: Only applicable in stand-alone mode when not connected to Product Management system, setpoint cannot be changed when connected to a kitchen manager.

UPPER SHELF LED
This LED will be lit to indicate upper shelf is selected.

PROG LED
This LED will be lit to indicate unit is in Program Mode.

LOWER SHELF LED
This LED will be lit to indicate lower shelf is selected.

ACTUAL TEMP BUTTON and LED
Press to display actual temperature for the selected heater. LED will be lit when actual temperature is displayed.

SETPOINT BUTTON and LED
Press to display setpoint temperature of a selected heater. LED will be lit when setpoint temperature is displayed.

TEMPERATURE DISPLAY
A, B, C, D (E, F) = ZONES
Upper and Lower Heater

UP/DOWN ARROW BUTTONS
Used with other Buttons to scroll through heater and temperature selections.

CROWN BUTTON
Press to enter temperature selections.

CAUTION:

DISPLAYED TEMPERATURES ARE HEATER TEMPERATURES AND DO NOT INDICATE ACTUAL FOOD TEMPERATURES.

NOTE: To reset all calibrations to the factory settings, turn the unit off, then press and hold the UP and DOWN Arrow buttons simultaneously while turning the unit back on. A "P" will appear in the display and all calibrations will be reset to original factory settings.

- The **SET PRODUCT TEMP** menu is used to change the Hold and Cook-More times. Press and hold the **PRINCE CASTLE LOGO** button on the button bar, then immediately press and hold the **MENU/ENTER** button on the button bar until the display shows one of six programming menus.....(hold for about 5 seconds) Use the **UP** or **DOWN** Arrow button to scroll to the **SET TEMP** ↑↓ **ENTR** (Set Product Temperature) menu.



- Press and release the **MENU/ENTER** button to enter the programming menu, the display should then read **SEL TEMP XXXX** ↑↓ (the **XXXX** is where the product abbreviation is displayed). Use the **UP** and **DOWN** arrows to navigate to the desired product.



- Press the **MENU/ENTER** button to select that product profile to update, the display will read **SET UPR XXXX ###s** ↑↓ the **XXXX** is where the product abbreviation is displayed, and **###** is the temperature. Use the **UP** and **DOWN** arrows to set the temperature of the upper heater of that zone. Confirm setpoint by pressing **MENU/ENTER**.



Setting the Temperature (Continued)

- 4** The display will now show **SET LWR XXXX ##s** ↑ ↓. Use the **UP** and **DOWN** arrows to set the temperature of the Lower heater of that zone. Press **MENU/ENTER** to confirm setpoint temperature.



NOTE: Changing the profile on one bar in a linked system of bin (s) is enough, it does not need to be changed on all bars in the system.

- 5** Press **PRINCE CASTLE LOGO BUTTON** to save the setpoints. Repeat steps 2-5 for all necessary profile upgrades.



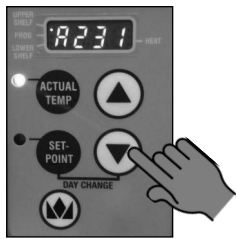
NOTE: Setpoints are displayed on the front display board, and should be updated according to the product at this point.

Calibrating Heaters

- 1** Use the following steps to calibrate the individual heaters

Select **ACTUAL TEMP**. Press the **UP** or **DOWN** Arrow button until the desired shelf **LED** and upper or lower heater is selected.

NOTE: Allow sufficient amount of time for temperatures to stabilize before



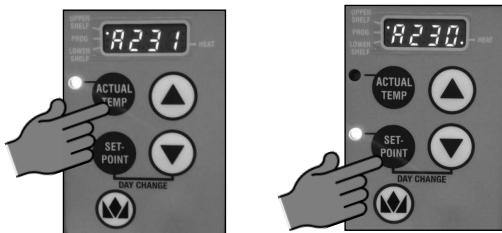
- 2** Take a temperature reading within the shelf near the center of each heater surface.

WARNING: HOT SURFACES
 Use caution when taking temperature readings within the shelf.

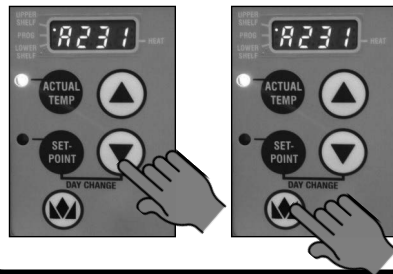


NOTE: Use an independent temperature meter (not supplied).

- 3** Press and hold the **CROWN BUTTON** and **ACTUAL TEMP** buttons for 5 seconds. The colon (:) LED indicator will light. The temperature displayed is the actual heater temperature sensed by the controller.



- 4** Press the **UP** or **DOWN** Arrow button until the temperature displayed matches the reading obtained in Step 2. Press the **CROWN BUTTON** to save the temperature value and exit the Calibration Mode. To undo changes before saving, press the **SETPOINT** button. This clears the offsets entered.



NOTE: On the 3x4 unit, during calibration, a **HOLD** message will appear on the display. When it does, release all buttons until it disappears, then continue.

Selecting Day Part

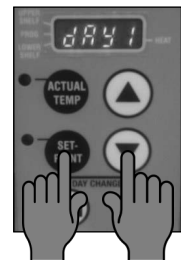
- 1** Press and hold the **SETPOINT** button and the **DOWN** Arrow button for 3 seconds to change Day Part to change the menu.

NOTE: Only applicable in stand-alone mode when not connected to Product Management system.

NOTE: The display will show **DAY #** if the daypart has been successfully changed.

NOTE: Whenever a bin is powered **ON** it defaults to **DAY PART 1** no matter what time of day it is.

****For more info, see Menu Setup Manual 540-550****



Extend Holding Bin

EHB Series



Changing the Hold and Cook-More Times (Standalone Mode)

- 1** The **SET PRODUCT TIME** menu is used to change the Hold and Cook-More times. Press and hold the **PRINCE CASTLE LOGO** button on the button bar, then immediately press and hold the **ENTER** button until the display shows one of six programming menus. Use the UP or DOWN Arrow button to scroll to the **PROD TIME** ↑ ↓ **ENTR** (Set Product Time) menu.



- 2** Press and release the **ENTER** button to enter the Set Product Time menu. The display will show **BURG TIME** ↑ ↓ **ENTR**. Use the **UP** or **DOWN** Arrow button to scroll through the list of products. When the desired product is displayed, press the **ENTER** button to select it.



NOTE: Holding the **UP** or **DOWN** Arrow button for longer than 2 seconds will cause the product list to automatically scroll up or down.

- 3** The display will show **90** ↑ ↓ **ENTR**.



Use the **UP** or **DOWN** Arrow button to scroll to the desired Hold time. When the desired Hold time is displayed, press the **ENTER** button to save the desired Hold time.



NOTE: Hold time cannot be reduced to less than the Cook-More time plus one minute. **NOTE:** All times are displayed in minutes only. For example, 2 and half hours is displayed as 150

- 4** The display will show **COOK 03** ↑ ↓ **ENTR**.



Use the **UP** or **DOWN** Arrow button to scroll to the desired Cook-More time. When the desired Cook-More time is displayed, press the **ENTER** button to save it.



NOTE: Cook-More time cannot be increased to more than the Hold time, minus one minute.

- 5** The display will show **BURG TIME** ↑ ↓ **ENTR**. Repeat Steps 2 – 4 for any other product. Press and release the **PRINCE CASTLE LOGO** button at any time to exit the Program Mode and return to the Run Mode.

NOTE: If the **ENTER** button has not been pressed to save any changes, the program will revert to the original values.



Changing Product Names (Standalone Mode)

1 The **EDIT PRODUCT NAME** menu is used to change a default product name to one of your own choosing. Press and hold the **PRINCE CASTLE LOGO** button on the button bar, then immediately press and hold the **ENTER** button until the display shows one of six programming menus. Use the **UP** or **DOWN** Arrow button to scroll to the **PROD NAME** ↑ ↓ **ENTR** (Edit Product Name) menu.



*NOTE: Only applicable in stand-alone mode when not connected to Product Management system.
 NOTE: The default menu items and names are listed on page 13.*

2 Press and release the **ENTER** button to enter the Edit Product Name menu. Use the **UP** or **DOWN** Arrow button to scroll through the list of products. When the desired product is displayed, press the **ENTER** button to select it. The first letter (in this case, the **B**) will start blinking.



3 To change the blinking **B**, use the **UP** or **DOWN** Arrow button to scroll to the desired letter/number/symbol. When the desired selection is displayed, press the **PAN** Arrow button to move to the next digit. Repeat for all digits.



NOTE: Holding the UP or DOWN Arrow button for longer than 2 seconds will cause the display to automatically scroll up or down.

4 When all four digits have been changed, press the **ENTER** button to select the new name.



5 The display will show **PROD NAME** ↑ ↓ **ENTR**. Repeat Steps 2 – 4 for any other product. Press and release the **PRINCE CASTLE LOGO** button at any time to exit the Program Mode and return to the Run Mode.



NOTE: If the ENTER button has not been pressed to save any changes, the program will revert to the original names.

Extend Holding Bin

EHB Series



Changing Temperature Scale (Standalone Mode)

- 1 The **SET F/C** menu is used to change the temperature scale.
Press and hold the **PRINCE CASTLE LOGO** button on the button bar, then immediately press and hold the **ENTER** button until the display shows one of six programming menus. Use the **UP** or **DOWN** Arrow button to scroll to the **SET F/C XXXX** $\uparrow \downarrow$ **ENTR** (Edit Product Name) menu.



- 2 Press the **ENTER** button to enter the menu.
Bar will display **SET DEGR F/C** $\uparrow \downarrow$ **ENTR** and either the **F** or **C** will be blinking.



- 3 Use the **UP** and **DOWN** arrows to select the desired temperature mode (the selected mode will blink)
Press the **ENTER** button to confirm the selection. Press the **PRINCE CASTLE LOGO** button to save the setting.



Adjusting Alarm Volume (Standalone Mode)

- 1 The **SET VOLUME** menu is used to change the alarm volume.
Press and hold the **PRINCE CASTLE LOGO** button on the button bar, then immediately press and hold the **ENTER** button until the display shows one of six programming menus. Use the **UP** or **DOWN** Arrow button to scroll to the **SET VOL** $\uparrow \downarrow$ **ENTR** (Set Volume) menu.



NOTE: Only applicable in stand-alone mode when not connected to Product Management system.

- 2 A timer alarm is included to sound after a hold timer is complete.

The volume is adjustable from level 0-3.

Once the menu is on the bar, press **ENTER** to enter the menu



- 3 Scroll to the desired volume setting and hit **ENTER** to accept.



Default Menu Items

BREAKFAST PRODUCTS

KM NAME	PRODUCT NAME	HOLD TIME (MINUTES)	COOK MORE TIME (MINUTES)	TOP TEMP (°F)	BOTTOM TEMP (°F)
EGGS	SANDWICH EGGS	90	5	230	200
PCAK	PANCAKES	30	2	180	170
BISC	BISCUIT	60	18	200	200
FTST	FRENCH TOAST	90	2	245	230
SAUS	SAUSAGE PATTY	120	2	235	215

BURGER PRODUCTS

KM NAME	PRODUCT NAME	HOLD TIME (MINUTES)	COOK MORE TIME (MINUTES)	TOP TEMP (°F)	BOTTOM TEMP (°F)
BURG	BURGER	90	3	240	220
WHPR	WHOPPER	90	3	240	220
WHJR	WHOPPER JR.	90	3	240	220

CHICKEN PRODUCTS

KM NAME	PRODUCT NAME	HOLD TIME (MINUTES)	COOK MORE TIME (MINUTES)	TOP TEMP (°F)	BOTTOM TEMP (°F)
BCKN	BREAKFAST CHICKEN	60	4	250	220
CFRY	CHICKEN FRIES	60	2	180	160
OCS	ORIGINAL CHICKEN	90	4	250	220
CKJR	CRISPY CHICKEN JR.	60	3	260	235
CRIS	CRISPY CHICKEN	30	7	190	172
GCHK	GRILLED CHICKEN	90	3	240	215
CNUG	CHICKEN NUGGET	60	3	260	235
JFRY	JALAPENO CHK. FRIES	60	2	180	160

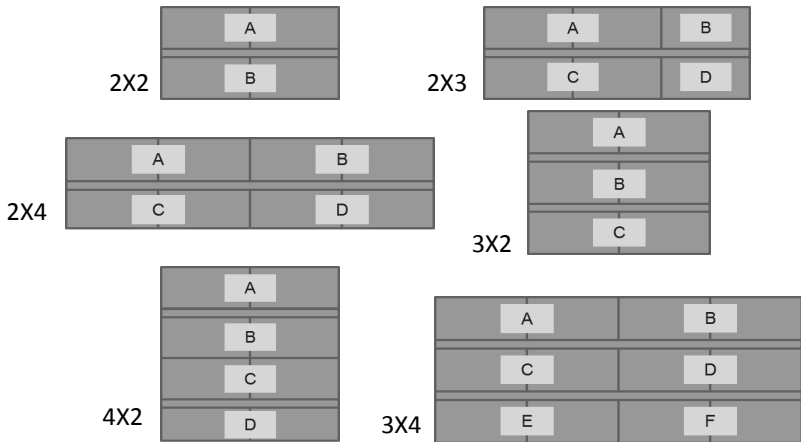
OTHER PRODUCTS

KM NAME	PRODUCT NAME	HOLD TIME (MINUTES)	COOK MORE TIME (MINUTES)	TOP TEMP (°F)	BOTTOM TEMP (°F)
CZST	CHEESE STICK	60	4	200	200
RGCH	CHILI 10 OZ.	240	3	210	200
SMCH	CHILI 4 OZ.	240	3	210	200
FISH	FISH	60	5	260	235
GDOG	GRILLED DOG	90	3	240	200

Zones

All bin configurations are set up with zones, which correspond to a set of heaters that work together to hold the product. A single product can be programmed into each zone.

The timer bars are equipped with this knowledge. If the product in one slot of a zone is changed, the other slot will automatically change to that product as well.



Extend Holding Bin

EHB Series



Troubleshooting

⚠ WARNING: To avoid personal injury and possible damage to the unit, troubleshooting and repair of electrical equipment should be performed by qualified service personnel. This unit should be unplugged when servicing. Except when electrical tests are required. Use extreme caution during electrical circuit tests as live circuits may be exposed.

Problem	Probable Cause	Solution
No Power	Power switch is turned off, Power cord is not plugged in.	Turn power switch to ON position, Ensure power cord is connected to proper receptacle
Unit will not heat up	Wrong power cord, loose connection on power switch and/or heater	CALL TECH SUPPORT 1-800-722-7853
Unit heats up but timer bars do not work	Timer bar wiring disconnected, timer bar is defective	CALL TECH SUPPORT 1-800-722-7853
Unit under/over heats	Check temperature settings	CALL TECH SUPPORT 1-800-722-7853
Display flashes OPN and REL	Open relay, circuit or heater inoperable	CALL TECH SUPPORT 1-800-722-7853
Display flashes SHR and REL	Shorted relay, circuit inoperable, open heater, unplugged ribbon cable	CALL TECH SUPPORT 1-800-722-7853
Display shows HHH for extended period and heat- er surface temperature is hot	Temperature is above 300 F (149 C), Abnormal operation	CALL TECH SUPPORT 1-800-722-7853
Display shows HOLD	Only displayed on a 3X4 Bin display board, when the operator changes the bin address or during calibration	HOLD message means the 2 PC boards in the bin are com- municating, wait until the message disappears
Display shows WAIT	When in stand alone mode and the oper- ator makes change to the product profile	Wait until the message disappears
Display shows INIT	When switching from Kitchen Minder to stand alone mode	Bin is learning Kitchen Minder menus, wait for message to disappear
Timer bar displays COMM DOWN	Bin is not communicating with Kitchen Minder	Refer to Kitchen Minder setup manual

For all technical support in North America, please contact **PRINCE CASTLE LLC 1-800-722-7853**
For technical support worldwide, contact your local service representative / installer.

Diagnosics

DIAGNOSTICS

For all diagnostic messages on the holding bin, the message will appear on the timer bar located at the pan that is triggering the message.

The message is a two-word message that will cycle through on the timer bar in addition to the product name at that pan location.

1. WARM | UP | XXXX – When turning on holding bin the warm up message will appear until heaters reach within 15°F set point.
 - a. Cleared when within 15°F of the set point.
2. HTR | OFF | XXXX – Heater off message appears when both the upper and lower heaters are off.
 - a. Cleared when heater is turned on.
3. HTR | LOW | XXXX – Heater low appears if the temperature falls 15°F below the set point.
 - a. Cleared when temperature is back in range. If not cleared, would require a service technician to repair.
4. HTR | HIGH | XXXX – Heater high appears if the heater is above 285°F for 20 minutes.
 - a. Cleared when temperature is back in range. If not cleared, would require a service technician to repair.
5. RLY | SHRT | XXXX – Relay short error occurs when there is a thermocouple or heater problem.
 - a. Bin requires service to further troubleshoot and repair.
6. RLY | OPEN | XXXX – Relay open error occurs when there is a thermocouple or heater problem.
 - a. Bin requires service to further troubleshoot and repair.
7. COMM | DOWN | XXXX – Communication down error occurs when the temperature data is not being properly communicated.
 - a. Check that the Kitchen Minder/Visor/Sicom system is connected properly. Requires service technician to troubleshoot.

USB Update Procedure (all bins except the 3Hx4W)

1. First, un-plug Kitchen Minder, translator box, and any cable translation cables from the PHU. These devices will interfere with the timer bar boot loading process.
2. Place the update files on the USB flash drive in the main directory (Do not put them in a folder on the flash drive). There are five files that you will need to put on the drive. Two for the controller board, **mainbin.hex** and **DHBFWBIN.TXT**. Three for the timer bars, **mainbar.hex**, **auxbar.hex** and **DHBFWBAR.TXT**.
3. Once all files are on USB drive, turn power off to bin and place the USB drive with the files into USB port on the front of the bin.
4. While holding down crown button on front right side of the bin, above the power switch, turn the power to the bin on.
5. Keeping the crown button pressed, wait for the “BL” (boot load) message to appear on the screen. Release the button approx. 5 seconds after the “BL” message appears or once the USB stick light begins to flash.
6. Wait for the display to show:
 - a. (blank while upgrading main bin firmware)
 - b. BL00 (searching for timer bars to upgrade)
 - c. BL02 (2 timer bars left to upgrade)
 - d. BL01 (1 timer bar left to upgrade)
 - e. BL00 (0 timer bars left to upgrade)
 - f. BN02 (2 timer bars detected and done with programming)
7. You can check the version number on the timer bars by pressing the Prince Castle logo button and the down button on timer bar.

USB Update Procedure (3Hx4W Bin Only)

1. The 3x4 bin requires two sets of files for the update, 10 files total. You will have a set of 5 files for the lower board and 5 files for the upper board. You can use one USB flash drive; however you can only have one set of 5 files on the USB drive at one time. The 5 files have the same names and therefore can not be kept on the USB drive at the same time.
2. Go through steps 1-7 as above placing the USB drive in the USB port labeled 1 on the front of the holding bin. When the bin is done updating, place the second set of files on the USB drive.
3. Once all files are on the USB drive, turn the power off to the bin and place the USB drive with the files into the USB port labeled 2 on the front of the bin.
4. While holding down crown button on front right side of the bin, above the power switch, turn the power to the bin on.
5. Keeping the crown button pressed, wait for the “BL” message, “BLnU” message, and the BL00 message (THIS WILL TAKE APPROX. 15 SECONDS) to appear on screen, then release the crown button.
6. Observe the top row of timer bars
 - a. The top row will show dashed lines (indicating that it has entered the boot loader).
 - b. The top row will show Prince Castle boot up, before going back into dashed lines display (boot loader for second time).
 - c. The top row will go again to the Prince Castle boot-up and back to the dashes a third and final time.
 - d. The Prince Castle boot-up will show again and the update is done.
7. You can check the version number on the timer bars (top and bottom) by pressing the Prince Castle logo button and the down button on timer bar.

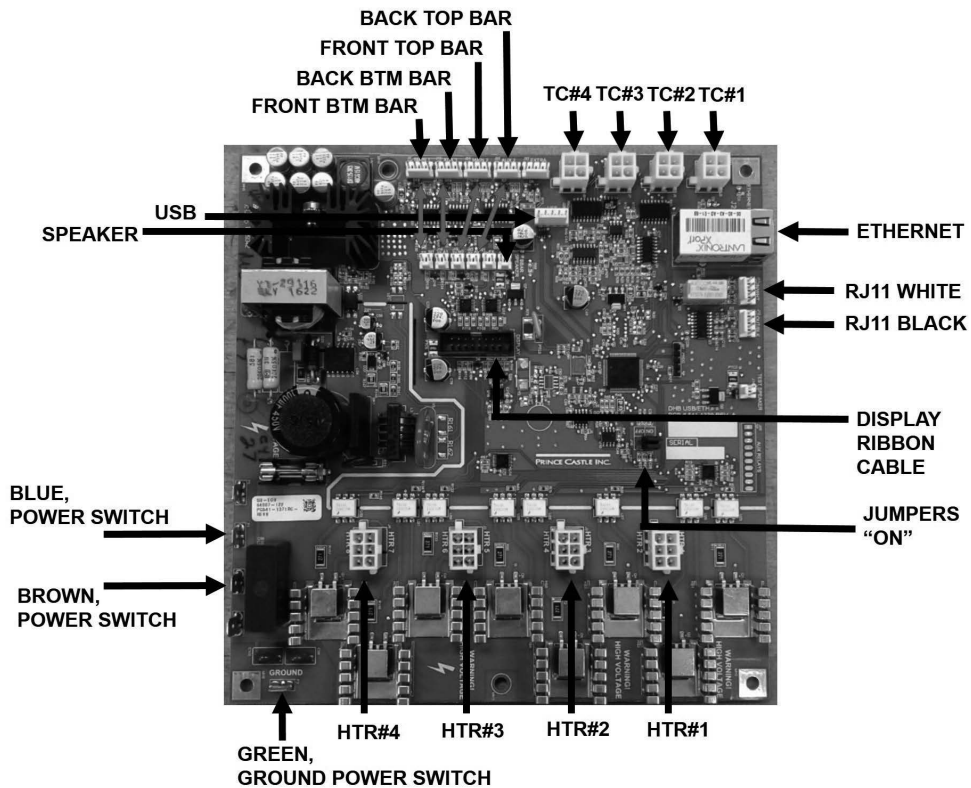
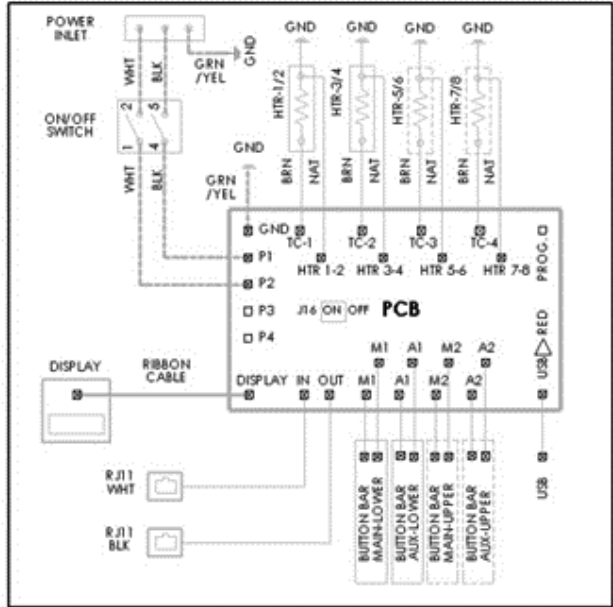
Extend Holding Bin

EHB Series



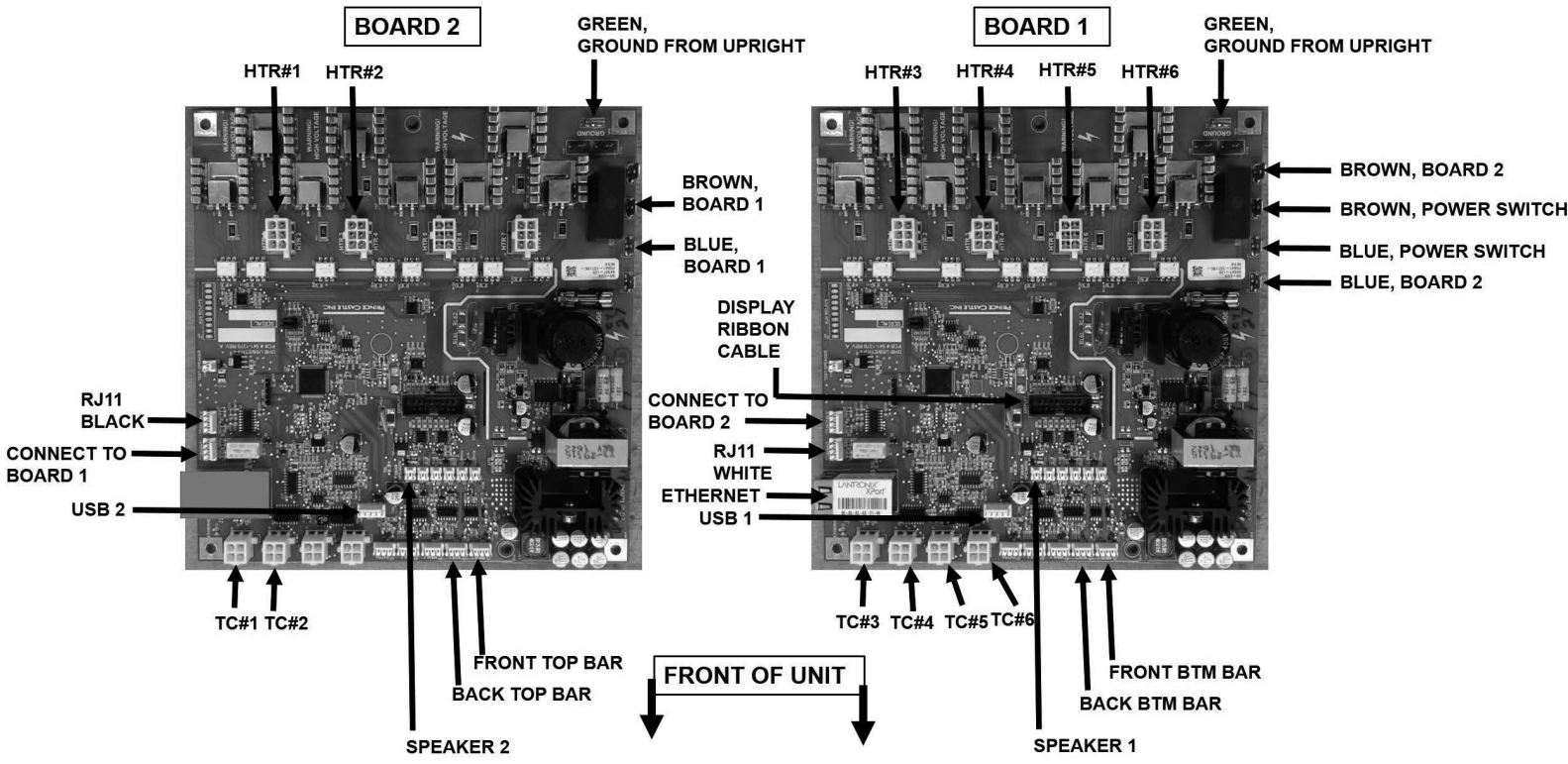
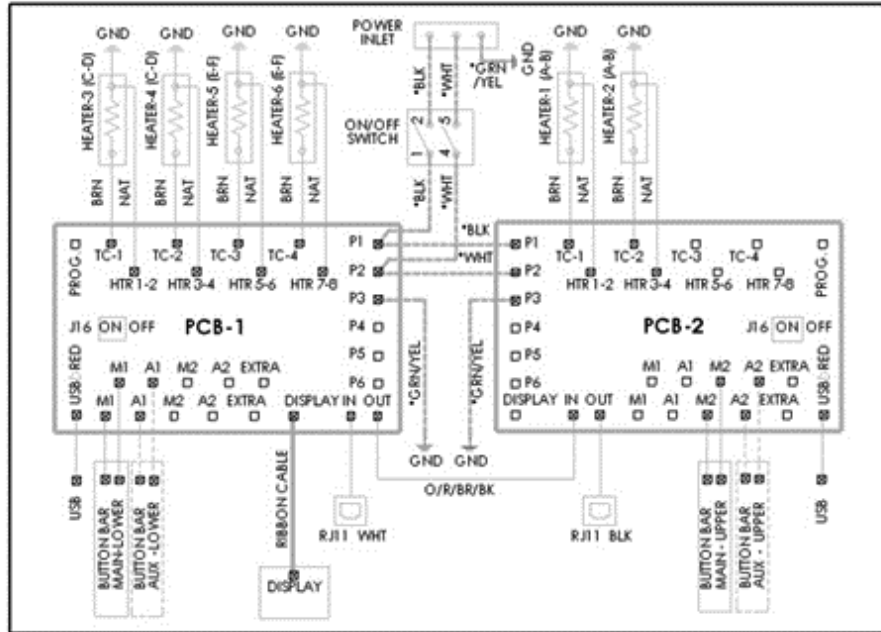
Wiring Diagrams

This Wiring diagram is used in all configurations except the 3X4



Wiring Diagrams

This wiring diagram is used in the 3X4 configuration only

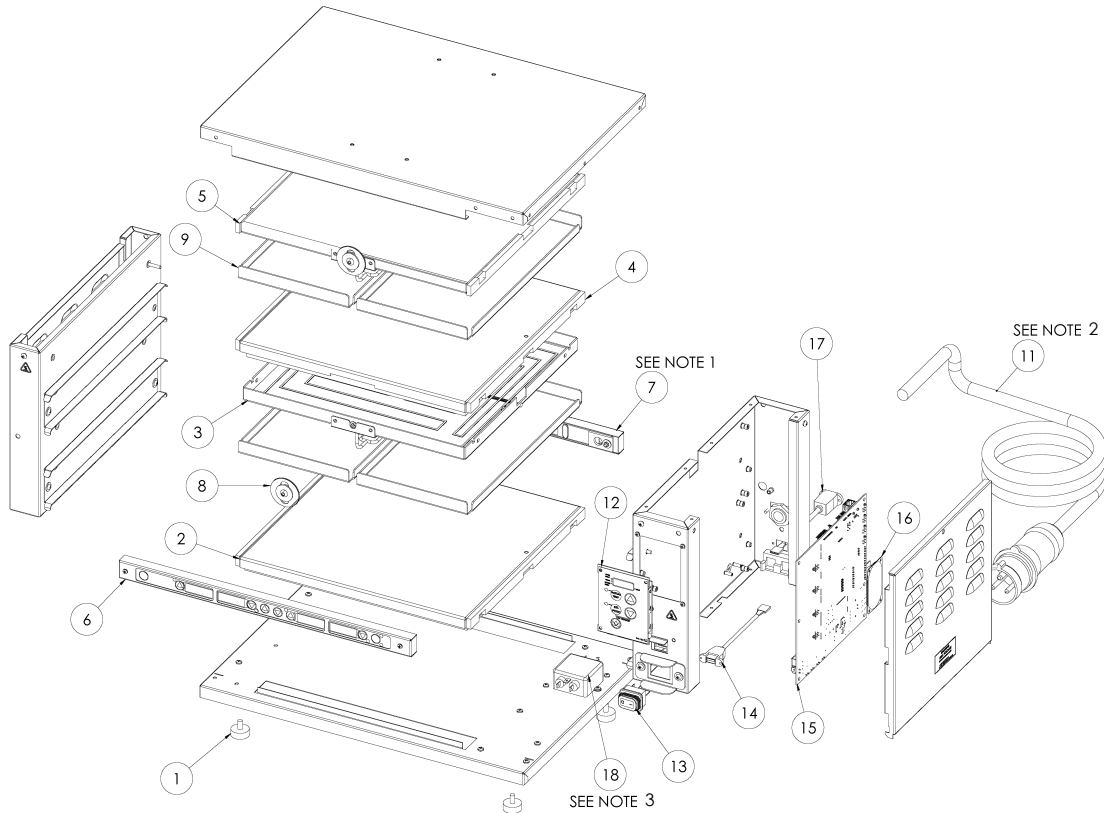


Extend Holding Bin

EHB Series



Exploded View

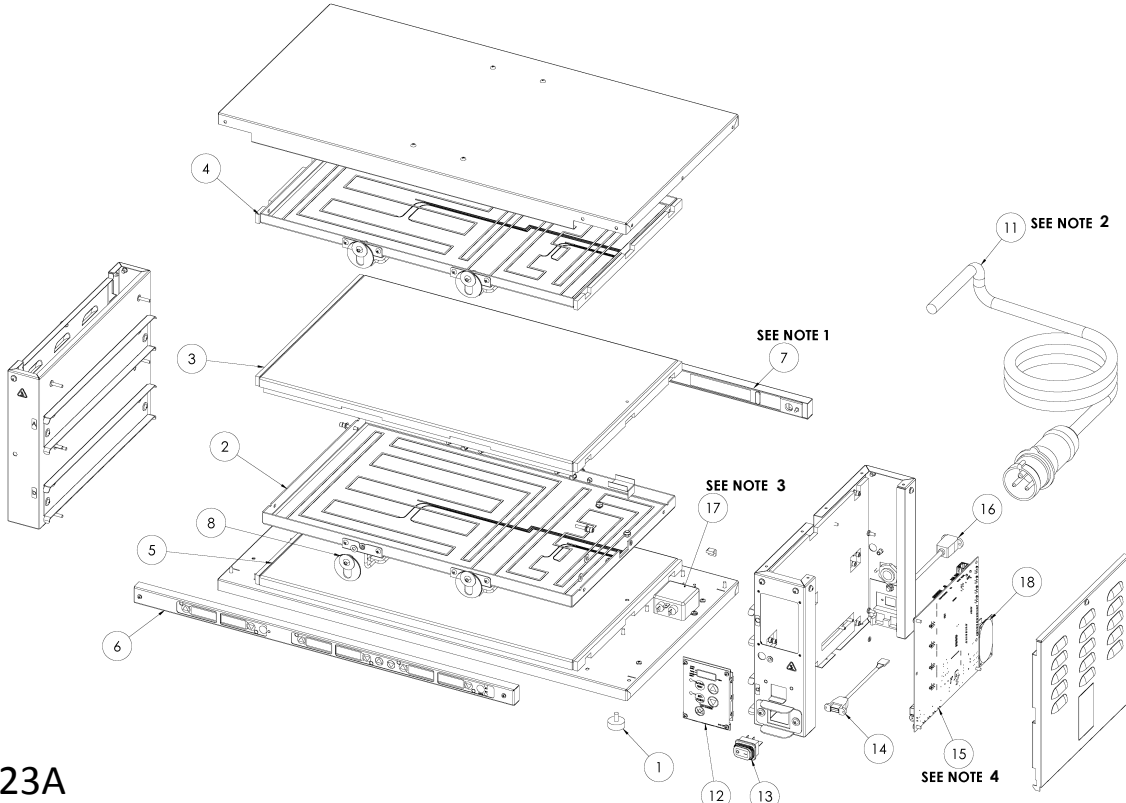


EHB22A

ITEM NO.	PART NUMBER	DESCRIPTION	ITEM NO.	PART NUMBER	DESCRIPTION	ITEM NO.	PART NUMBER	DESCRIPTION
1	197-232S	FOOT (4 PACK)	7	510-243S*	SERVICE KIT BB 4CH AUX	16	88-709-2-11S	SPEAKER
2	540-1107S	HEATER ASSY LOWER SHELF, 2W	8	540-1158S	LATCH, CATCH	17	95-2011S	ETHERNET CONNECTOR
3	540-1109S	HEATER ASSY, UPPER, 2W	9	540-1002S	LID (4 PACK)	18	88-824S	LINE FILTER
4	540-1111S	HEATER ASSY, LOWER TOP SHELF 2W	11	72-476S	POWER CORD	*Recommended spares for stocking		
5	540-1120S	UPPER HEATER TOP SHELF	12	540-1215S*	OVERLAY AND DISPLAY			
6	510-242S*	TIMER BAR, 4 MAIN	13	78-184S	POWER SWITCH			
			14	95-1819S	USB CORD			
			15	540-1263S*	PCB, CONTROL BOARD			

1. AUX TIMER BAR (510-243S) USED ONLY ON EHB22A AND EHB24ACE.
2. POWER CORD (72-476S) USED ONLY ON EHB22 AND EHB22A. USE POWER CORD (72-404S) FOR EHB22CE AND EHB22ACE.
3. LINE FILTER (88-824S) ONLY USED ON EHB22ACE AND EHB22CE.

Exploded View



EHB23A

ITEM NO.	PART NUMBER	DESCRIPTION	ITEM NO.	PART NUMBER	DESCRIPTION	ITEM NO.	PART NUMBER	DESCRIPTION
1	197-232S	FOOT (4 PACK)	7	510-241S*	SERVICE KIT BB 8CH AUX	15	540-1265S*	PCB, CONTROL BOARD
2	540-1118S	HEATER ASSY LOWER SHELF, UPPER 3W	8	540-1158S	LATCH, CATCH	16	95-2011S	ETHERNET CONNECTOR
3	540-1123S	HEATER ASSY, TOP SHELF LOWER 3W	9	540-1002S	LID (4 PACK) (NOT SHOWN)	17	88-824S	POWER FILTER
4	540-1116S	HEATER ASSY, UPPER TOP 3W	11	72-476S	POWER CORD	18	88-709-2-11S	SPEAKER
5	540-1122S	LOWER HEATER BASE	12	540-1215S*	OVERLAY AND DISPLAY	*Recommended spares for stocking		
6	510-240S*	TIMER BAR, 6 MAIN	13	78-184S	POWER SWITCH			
			14	95-1819S	USB CORD			

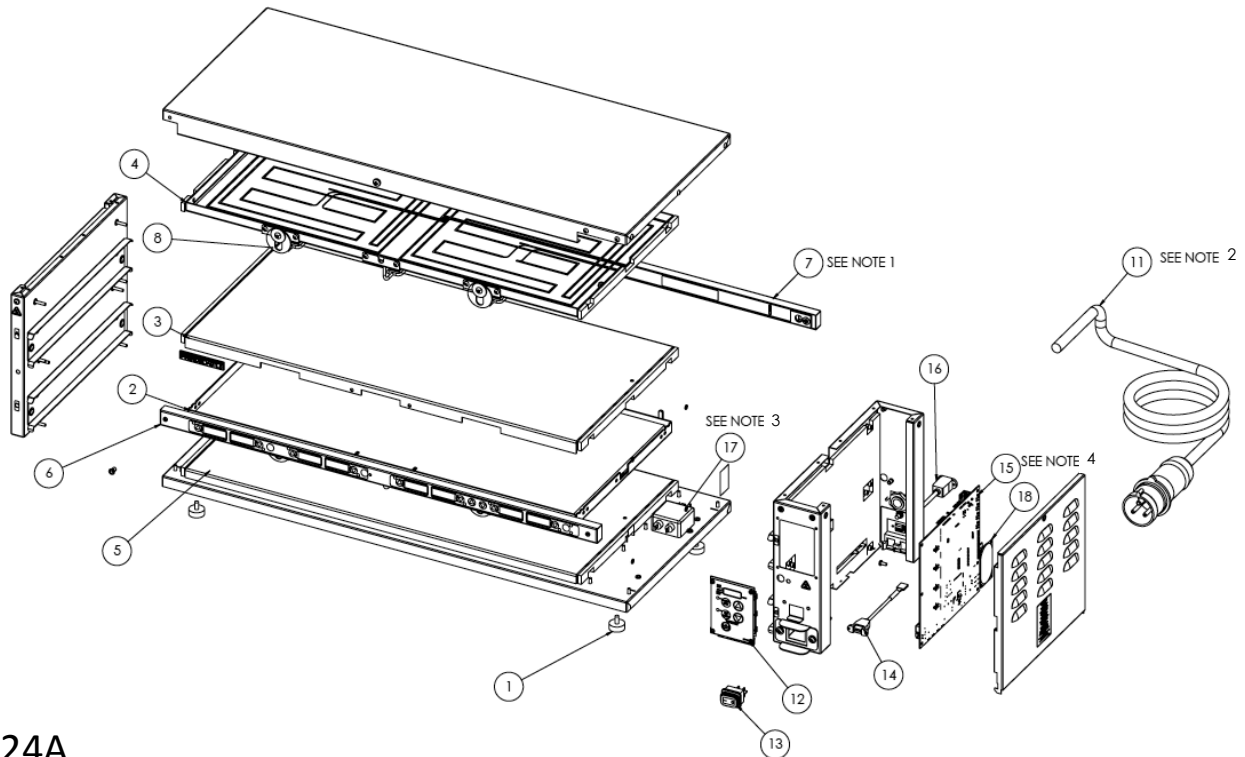
1. AUX TIMER BAR (510-241S) USED ONLY ON EHB23A AND EHB23ACE.
2. POWER CORD (72-476S) USED ONLY ON EHB23 AND EHB23A. USE POWER CORD 72-404S FOR EHB23CE AND EHB23ACE.
3. LINE FILTER (88-824S) ONLY USED ON EHB23ACE AND EHB23CE.
4. FOR MODEL # EHB23V, USE MAIN BOARD PART # 540-1290S

Extend Holding Bin

EHB Series



Exploded View

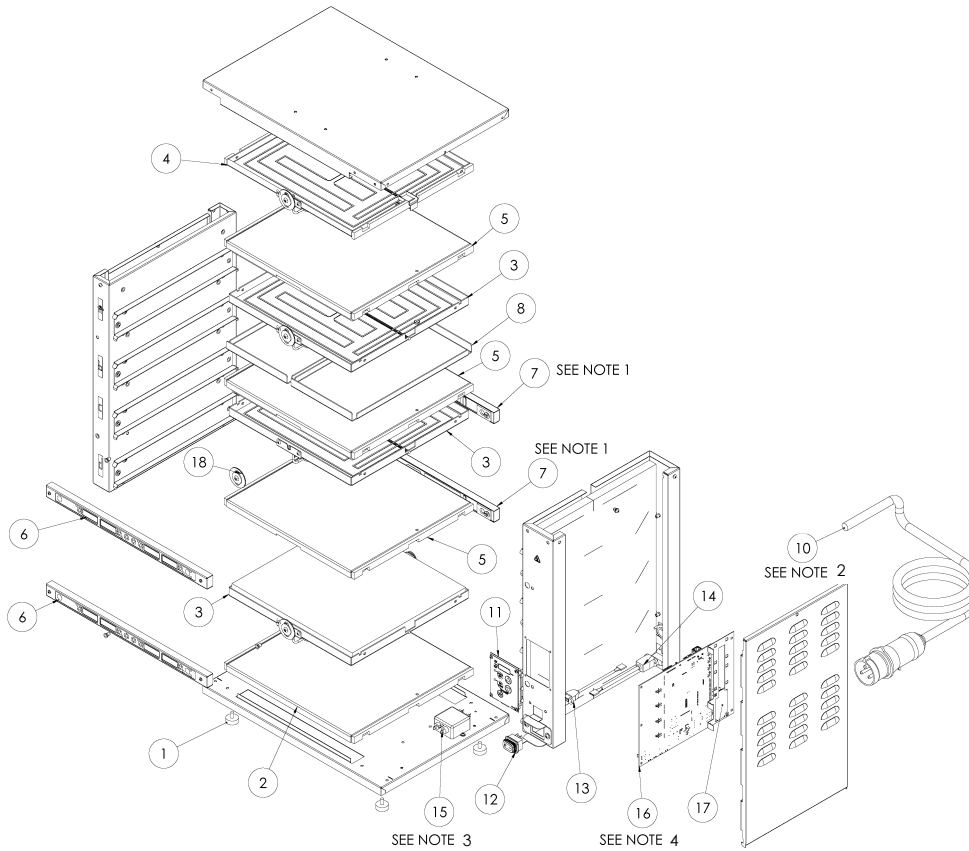


EHB24A

ITEM NO.	PART NUMBER	DESCRIPTION	ITEM NO.	PART NUMBER	DESCRIPTION	ITEM NO.	PART NUMBER	DESCRIPTION
1	197-232S	FOOT (4 PACK)	7	510-099S*	SERVICE KIT BB 8CH AUX	15	540-1232S*	PCB, CONTROL BOARD
2	540-1226S	HEATER ASSY LOWER SHELF, UPPER 4W	8	540-1158S	LATCH, CATCH	16	95-2011S	ETHERNET CONNECTOR
3	540-1224S	HEATER ASSY, TOP SHELF LOWER 4W	9	540-1002S	LID (4 PACK) (NOT SHOWN)	17	88-824S	POWER FILTER
4	540-1222S	HEATER ASSY, UPPER TOP 4W	11	72-476S	POWER CORD	18	88-709-2-11S	SPEAKER
5	540-1072S	LOWER HEATER BASE	12	540-1215S*	OVERLAY AND DISPLAY	*Recommended spares for stocking		
6	510-098S*	TIMER BAR, 8 MAIN	13	78-184S	POWER SWITCH			
			14	95-1819S	USB CORD			

1. AUX TIMER BAR (510-099S) USED ONLY ON EHB24A AND EHB24ACE.
2. POWER CORD (72-476S) USED ONLY ON EHB24 AND EHB24A. USE POWER CORD 72-404S FOR EHB24ACE AND EHB24ACE.
3. LINE FILTER 88-824S ONLY USED ON EHB24ACE AND EHB24ACE.
4. FOR MODEL # EHB24V, USE MAIN BOARD PART # 540-1286S

Exploded View



EHB42A

ITEM NO.	PART NUMBER	DESCRIPTION	ITEM NO.	PART NUMBER	DESCRIPTION	ITEM NO.	PART NUMBER	DESCRIPTION
1	197-232S	FOOT (4 PACK)	6	510-242S*	TIMER BAR, 4 MAIN	13	95-1819S	USB CORD
2	540-1107S	HEATER ASSY, LOWER PANEL, BOTTOM SHELF	7	510-243S*	SERVICE KIT BB 4CH AUX	14	95-2011S	ETHERNET CORD
3	540-1109S	HEATER ASSY, LOWER SHELF, UPPER 4x2	8	540-1002S	LID (4 PACK)	15	88-824S	POWER FILTER
4	540-1120S	HEATER ASSY, UPPER SHELF, TOP 4x2	10	72-476S	POWER CORD	16	540-1267S*	MAIN BOARD
5	540-1111S	HEATER ASSY, UPPER SHELF BOTTOM 4x2	11	540-1215S*	OVERLAY, DISPLAY BRD	17	88-709-2-11S	SPEAKER
			12	78-184S	POWER SWITCH	18	540-1158S	KIT, LATCH CATCH

*Recommended spares for stocking

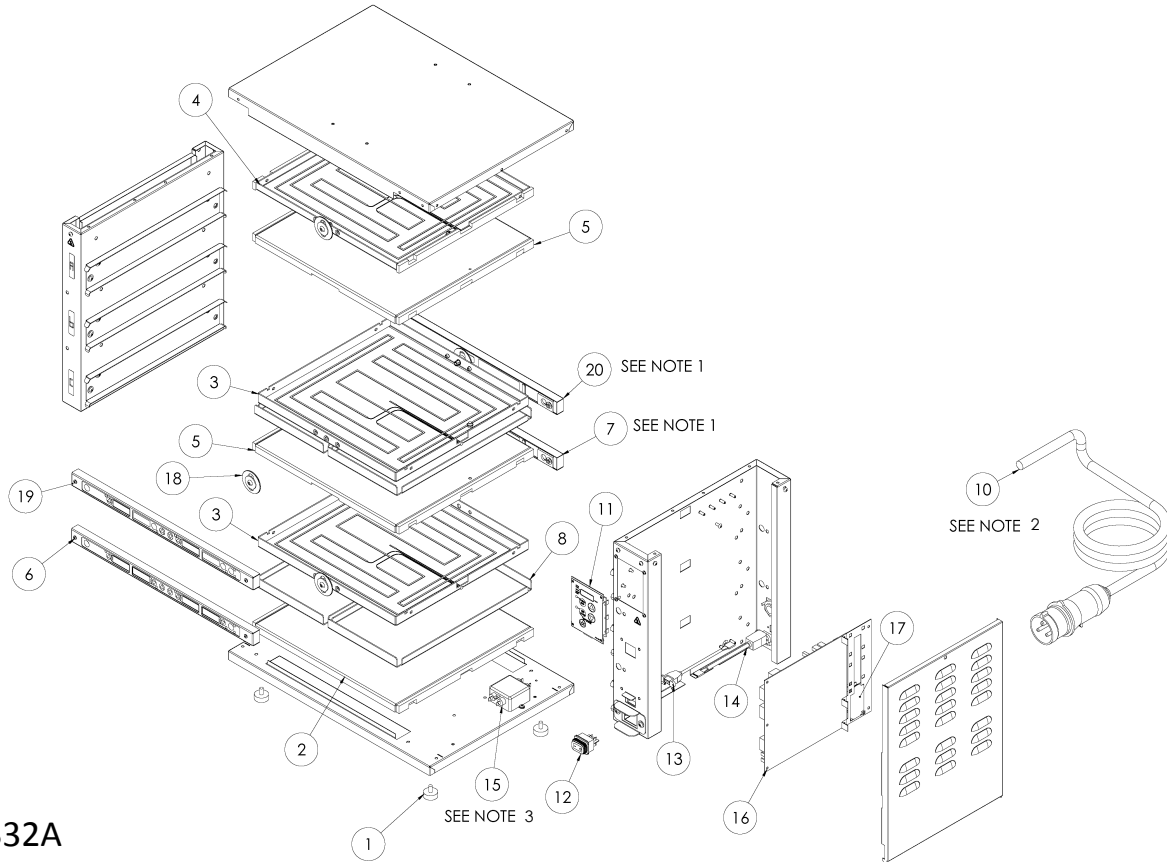
1. AUX TIMER BAR (510-243S) USED ONLY ON EHB42A AND EHB42ACE.
2. POWER CORD (72-476S) USED ONLY ON EHB42 AND EHB42A. USE POWER CORD (72-404S) FOR EHB42CE AND EHB42ACE.
3. LINE FILTER (88-824S) ONLY USED ON EHB42ACE AND EHB42CE.
4. FOR MODEL # EHB42V, USE MAIN BOARD PART # 540-1289S

Extend Holding Bin

EHB Series



Exploded View



EHB32A

ITEM NO.	PART NUMBER	DESCRIPTION	ITEM NO.	PART NUMBER	DESCRIPTION	ITEM NO.	PART NUMBER	DESCRIPTION
1	197-232S	FOOT (4 PACK)	7	510-278S*	SERVICE KIT BB 4CH AUX	16	540-1285S*	MAIN BOARD
2	540-1107S	HEATER ASSY, LOWER PANEL, BOTTOM SHELF	8	540-1002S	LID (4 PACK)	17	88-709-2-11S	SPEAKER
3	540-1109S	HEATER ASSY, LOWER SHELF, UPPER 4x2	10	72-476S	POWER CORD	18	540-1158S	KIT, LATCH CATCH
4	540-1120S	HEATER ASSY, UPPER SHELF, TOP 4x2	11	540-1215S*	OVERLAY, DISPLAY BRD	19	510-244S	MAIN BB, UPPER
5	540-1111S	HEATER ASSY, UPPER SHELF BOTTOM 4x2	12	78-184S	POWER SWITCH	20	510-245S	AUX BB UPPER
6	510-277S*	TIMER BAR, 4 MAIN	13	95-1819S	USB CORD			
			14	95-2011S	ETHERNET CORD			
			15	88-824S	POWER FILTER			

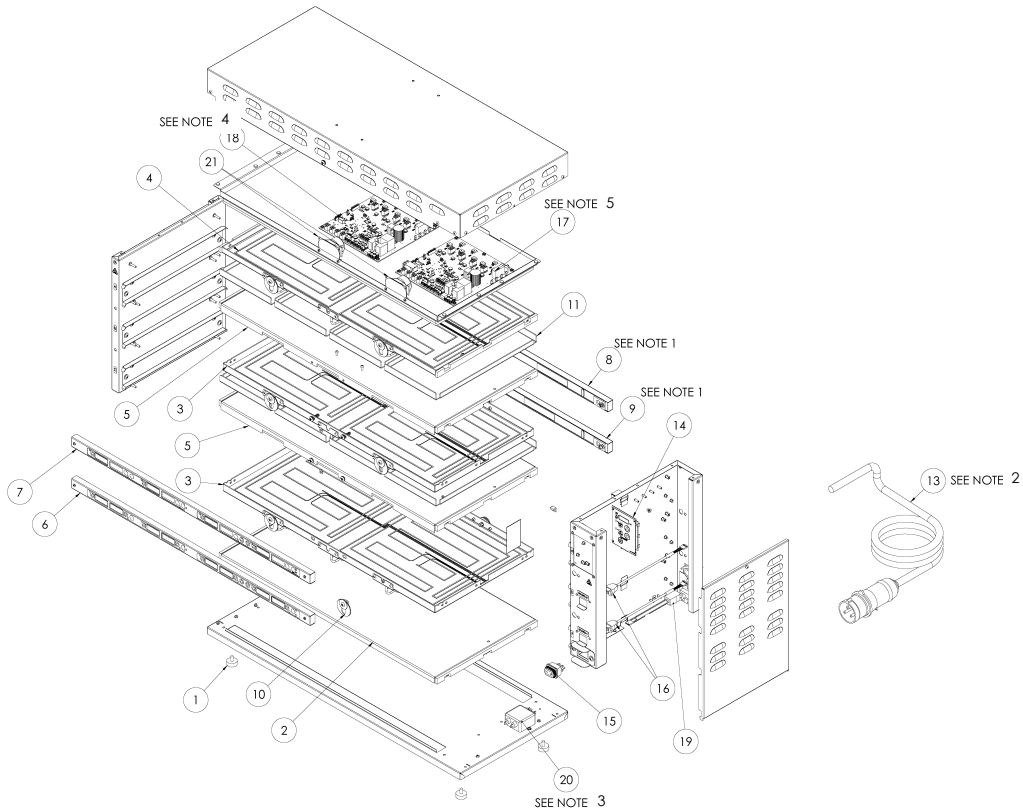
*Recommended spares for stocking

1. AUX TIMER BAR (510-278S) AND (510-248S) USED ONLY ON EHB32A AND EHB32ACE.

2. POWER CORD (72-404S) USED ONLY ON EHB32 AND EHB32A. USE POWER CORD 72-404S FOR EHB32CE AND EHB32ACE.

3. LINE FILTER 88-824S ONLY USED ON EHB32ACE AND EHB32CE.

Exploded View



EHB34A

ITEM NO.	PART NUMBER	DESCRIPTION	ITEM NO.	PART NUMBER	DESCRIPTION	ITEM NO.	PART NUMBER	DESCRIPTION
1	197-232S	FOOT (4 PACK)	6	510-098S*	TIMER BAR, 8 MAIN	14	540-1215S*	OVERLAY, DISPLAY BRD
2	540-1198S	HEATER ASSY, LOWER PANEL, BOTTOM SHELF	7	510-238S*	KIT BB 8CH MAIN TOP	15	78-184S	POWER SWITCH
3	540-1230S	HEATER ASSY, LOWER SHELF, UPPER 3X4	8	510-239S*	TIMER BAR 8 AUX TOP	16	95-1995S	USB CORD
4	540-1228S	HEATER ASSY, UPPER SHELF, TOP 3X4	9	510-099S*	TIMER BAR 8 AUX	17	540-1282S*	BOARD 1
5	540-1229S	HEATER ASSY, UPPER SHELF BOTTOM 3X4	10	540-1158S	KIT, LATCH CATCH	18	540-1283S*	BOARD 2
			11	540-1002S	LID (4 PACK)	19	95-2012S	ETHERNET CONNECTOR
			13	72-476S	POWER CORD	20	88-824S	POWER FILTER
						21	88-709-2-11S	SPEAKER

- AUX TIMER BAR (510-099S) AND (510-239S) USED ONLY ON EHB34A AND EHB34ACE.
- POWER CORD (72-476S) USED ONLY ON EHB34A AND EHB34A. USE POWER CORD (72-404S) FOR EHB34CE AND EHB34ACE.
- LINE FILTER 88-824s ONLY USED ON EHB34ACE AND EHB34CE.
- FOR MODEL # EHB34V, USE MAIN BOARD 2 PART # 540-1288S.
- FOR MODEL # EHB34V, USE MAIN BOARD 1 PART # 540-1287S.

*Recommended spares for stocking

Extend Holding Bin

EHB Series



REV.	DATE	DESC.
A	8/8/16	RELELASE
B	8/18/16	EHB CONROL BOARD # CHANGE
C	9/6/16	ADDED 3X2 PARTS LIST, VISOR MAIN BOARD PART #'S
D	9/22/16	CHANGED SPEAKER # ON 3X4
E	4/5/17	WARRANTY CORRECTED TO 3 YEARS PARTS, 2 YEARS LABOR; ADDED WIRING SCHEMATICS
F	5/10/17	UPDATED WITH CORRECTIONS
G	8/3/17	CHANGED POWER CORD & INLET