

# OPERATING INSTRUCTIONS

## Potato Witch® Model No. 913, 914 & 915



Prince Castle's Potato Witch® cuts potatoes and other vegetables with ease. A single stroke produces shoestring-style or steak-cut fries. Fast and easy, the Potato Witch® provides superior leverage for a superior performance. Designed for safe, heavy-duty commercial use. Sturdy frame with base and 1/2" guide rods. Precision sharp, stainless steel blades and two handles give perfect balance for easy cutting.

### PRODUCT SPECIFICATION

Model No. 913:	3/8 Square cut
Model No. 914:	Six-section wedge (steak fries)
Model No. 915:	Eight-section wedge (steak fries)
Height	17" (43.2 cm)
Width	8" (20.3 cm)
Length	10" (25.4 cm)
Shipping Weight:	12 lbs. (5.44 kg)

TABLE OF CONTENTS	PAGE
Installation .....	2
Operating .....	2
Cleaning .....	2
Parts Identification .....	3

### LIMITED WARRANTY

This product is warranted to be free from defects in material and/or workmanship for a period of two (2) years from the date of original installation, not to exceed 30 months from the date of shipment from our factory **with the exception of the blades**. Blades are warranted to be free from defects at time of delivery only.

Any component which proves to be faulty in material and/or workmanship will be replaced or repaired (at the option of Prince Castle, Inc.) without cost to the customer for parts or labor.

This warranty is subject to the following exceptions/conditions:

- This equipment is portable; charges for on-location service (e.g., trip charges, mileage) are not included in the provisions of this warranty.
- Damage caused by carelessness, neglect, and/or abuse (e.g., dropping, tampering or altering parts), equipment damaged in shipment, by fire, flood or an act of God is not covered under this warranty.
- Blades are warranted to be free from defects in material and/or workmanship at time of delivery only.

---

## INSTALLATION

1. After you remove the Potato Witch® from the carton, inspect the unit for signs of damage. If there is damage to the unit:
  - Notify carrier within 24 hours after delivery.
  - Save carton and packing materials for inspection purposes.
  - Contact your local Prince Castle dealer or if purchased directly, the Prince Castle Customer Sales Department at 1-800-722-7853 to arrange for a replacement.
  - All inoperable warranty parts must be returned to the Service Center.



**CAUTION: Blades are extremely sharp.**

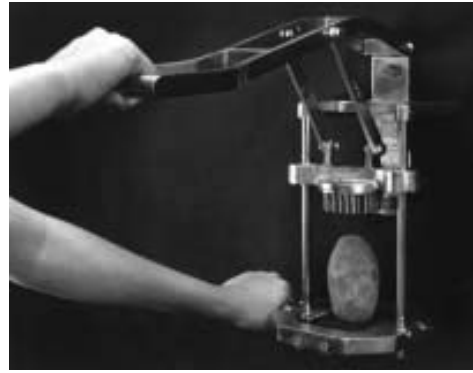
2. To mount Potato Witch® directly to the wall, hold it up against the wall in the selected mounting area, and mark the two holes for correct drilling location.
3. Using a  $\frac{5}{16}$ " drill bit, drill the two marked holes and fill with a  $\frac{5}{16}$ " anchor mount. Mount the Potato Witch® to the wall with the provided flat head screwdriver.
4. The Potato Witch® can also be mounted to an optional wall mounting plate (913-5) which can be purchased from Prince Castle.
5. Place the mounting plate against the wall and mark the two outside holes with a pencil.
6. Drill the holes using a  $\frac{3}{8}$ " drill bit. Put a  $\frac{7}{16}$ " anchor into the wall.
7. Put the two  $\frac{5}{16}$ " flat head screws through the back of the mounting plate. Mount the mounting plate to the wall using two  $\frac{7}{16}$ " flat head screws.
8. Line up the Potato Witch® mounting plate with the two flat head screws, and tighten with wing nuts provided.

---

## OPERATION

1. With your right hand, raise pusher handle to the extreme upright position. Using a fork, place product on blades. See figure 1.

figure 1



2. Grasp handle at base of potato witch, with left hand. Bring the pusher head handle downward in one quick, firm stroke. See figure 2.

figure 2



---

## MAINTENANCE

1. Lubricate guide rods daily.
2. Tighten blades daily with hex head wrench provided.

**IMPORTANT:** Loose blades can cause damage to the blades and the pusher head.

---

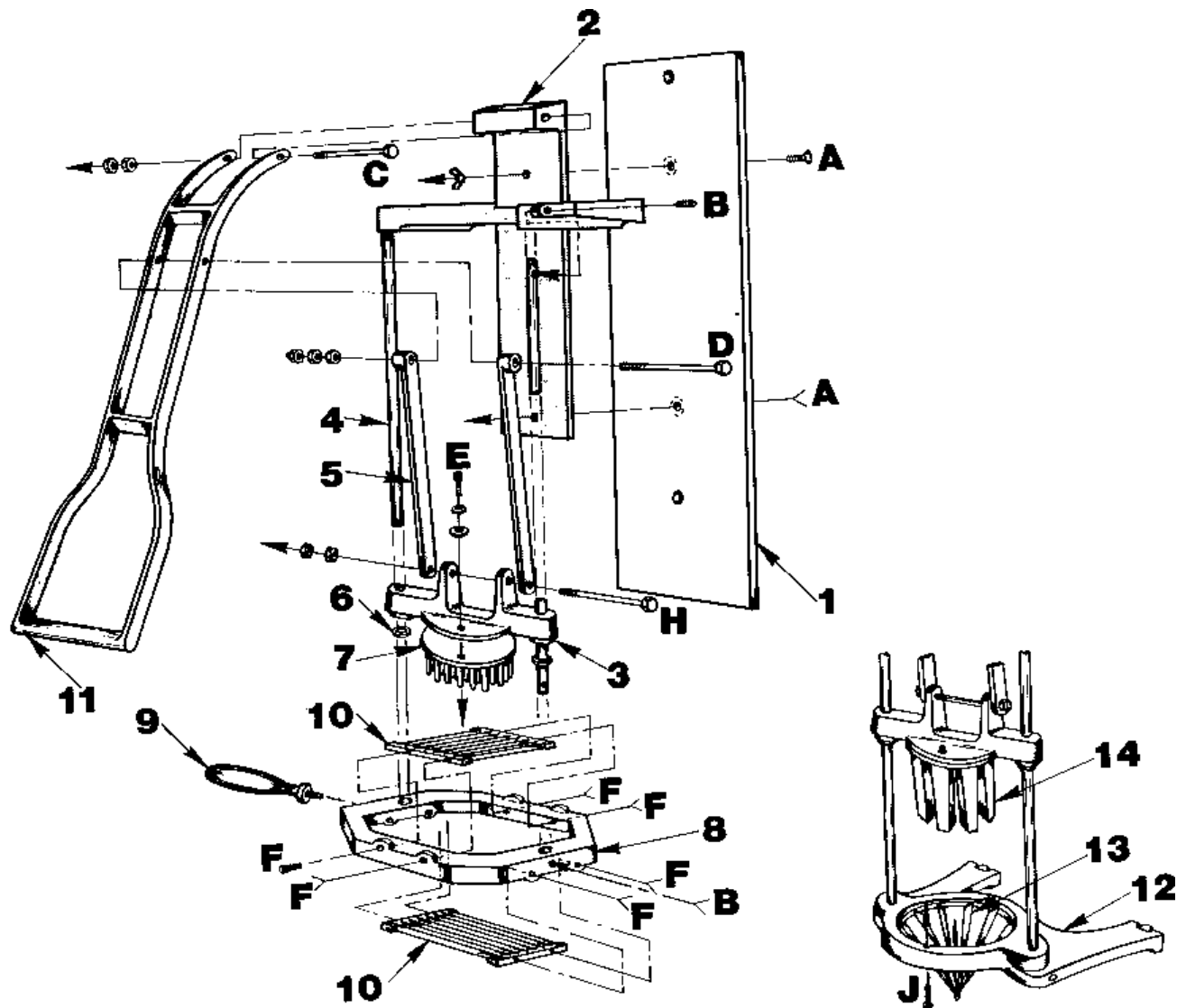
## CLEANING

1. Immerse unit into hot soapy water, using spray if available, rinse thoroughly. Spray wash unit.
2. Rinse thoroughly. Let air dry.

**IMPORTANT:** Use Prince Castle model number 912-107 cleaning brush.



**CAUTION: Clean blades from reverse side.**



## PARTS LIST

ITEM	PART NO.	DESCRIPTION	ITEM	PART NO.	DESCRIPTION
1	913-5	Wall Mounting Plate (Optional)	A	76-493	Flat Head Screw $\frac{5}{16}$ -18 X $1\frac{1}{4}$
2	913-6	Base			(Part of 913-5)
3	913-15	Slide plate			Wing Nut (Part of 913-5)
4	913-14	Guide Rod (914 & 915)	B	76-202	Set Screw $\frac{1}{4}$ -20 X $\frac{1}{4}$
	913-35	Guide Rod (913)	C	919-19	Top Pivot Pin $\frac{1}{4}$ -20 X $3\frac{1}{4}$
5	912-34	Connecting Link Left			Self Locking Nut
	912-35	Connecting Link Right	D	912-15	Middle Pivot Pin $\frac{1}{4}$ -20 X $4\frac{1}{2}$
6	910-17	Guide Rod Cushion (Pkg of 2)			Self Locking Nut
7	913-21	Pusher Head (913)	E	76-242	Socket Hd. Cap Screw $\frac{1}{4}$ -20
8	913-36	Blade Frame (913)			Flat Washer $\frac{1}{4}$
9	911-114	Handle	F	911-15	Socket Hd Cap Scr $\frac{1}{4}$ -20
10	913-1	Replacement Blade Set			(Pak of 12) (913 only)
11	912-8	Pusher Handle	H	76-534	Bottom Pivot Pin $\frac{1}{4}$ -20
12	914-5	Blade Frame (914 & 915)			Self Locking Nut
13	908-1	Replacement Blade Set (8 Sec) (915)	J	76-529	Screw 6-32 X $\frac{3}{4}$ (914 & 915)
	914-1	Replacement Blade Set (6 Sec) (914)			
14	915-2S	Pusher Head (8 Sec) (915)			
	914-6	Pusher Head (6 Sec) (914)			
15	919-18	Feet (Pkg of 4) Not Shown			