

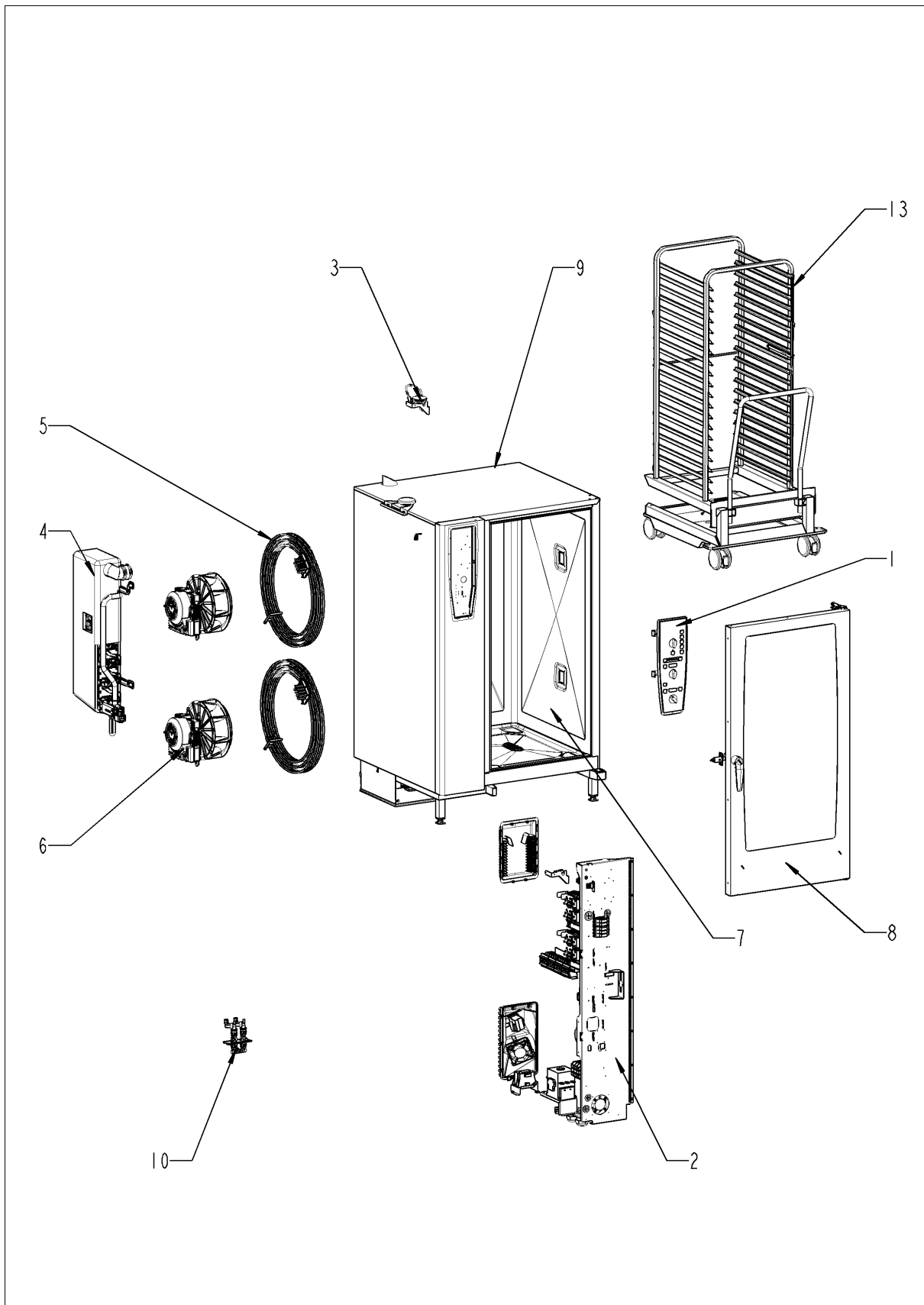
# Service part catalogue

**SelfCookingCenter® whiteefficiency®**  
**Combi Master 202 - 20 x 2/1 GastronormE**

**E22MH1112**



SelfCookingCenter® whiteefficiency®



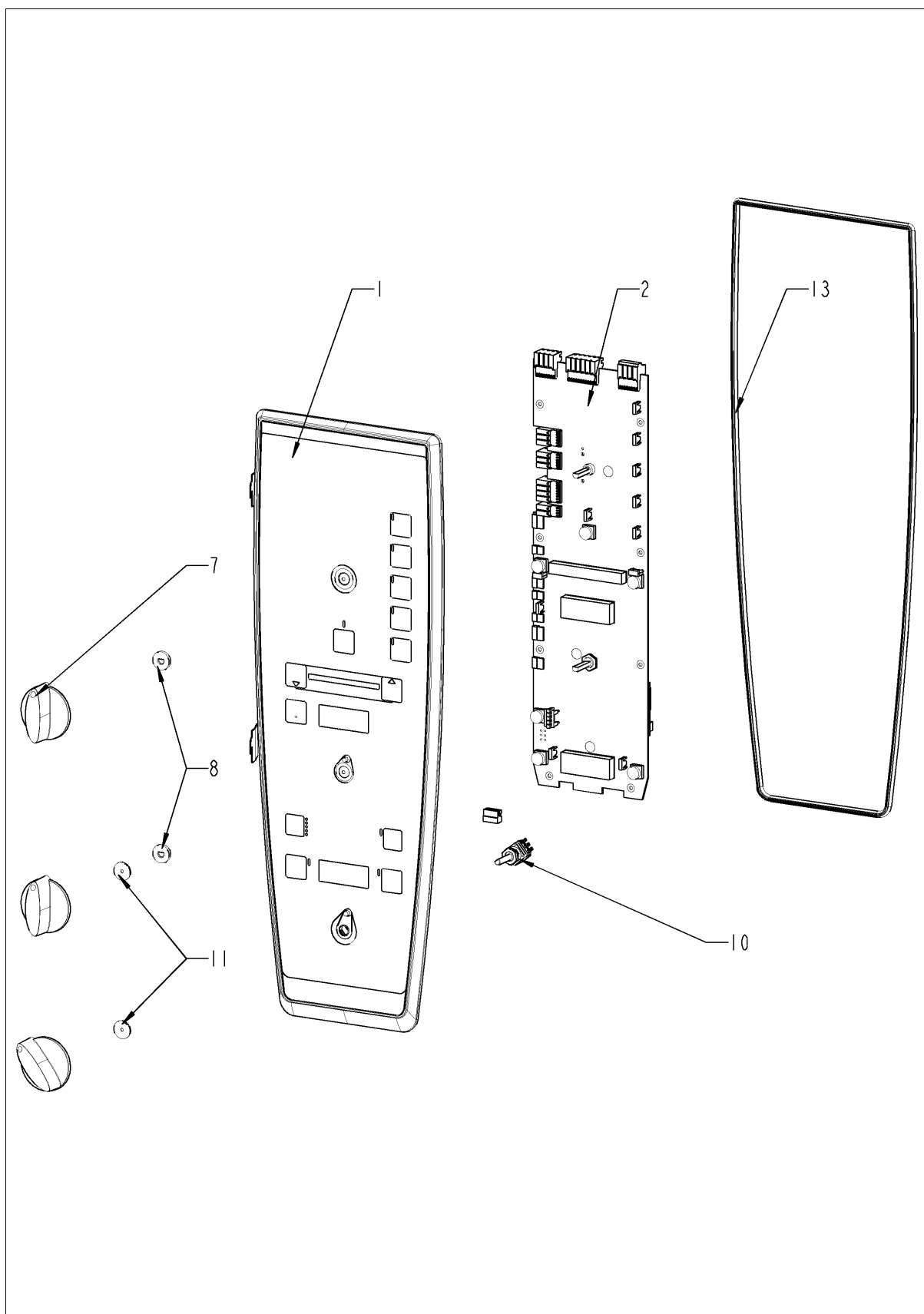
**Combi Master 202 - 20 x 2/1 GastronormE**  
**E22MH1112**

---

**SelfCookingCenter® whiteefficiency®**

<b>Pos.</b>	<b>Part No.</b>	<b>Description</b>	<b>Qty.</b>
1		Control panel	1
2		Electrical installation	1
3		ClimaPlus	1
4		Steam generator	1
5		Hot air heating	1
6		Motor and fan wheel	1
7		Interior cabinet	1
8		Door	1
9		Exterior cabinet	1
10		Water	1
11		CleanJet + Care	1
13		Standard accessory	1

## Control panel



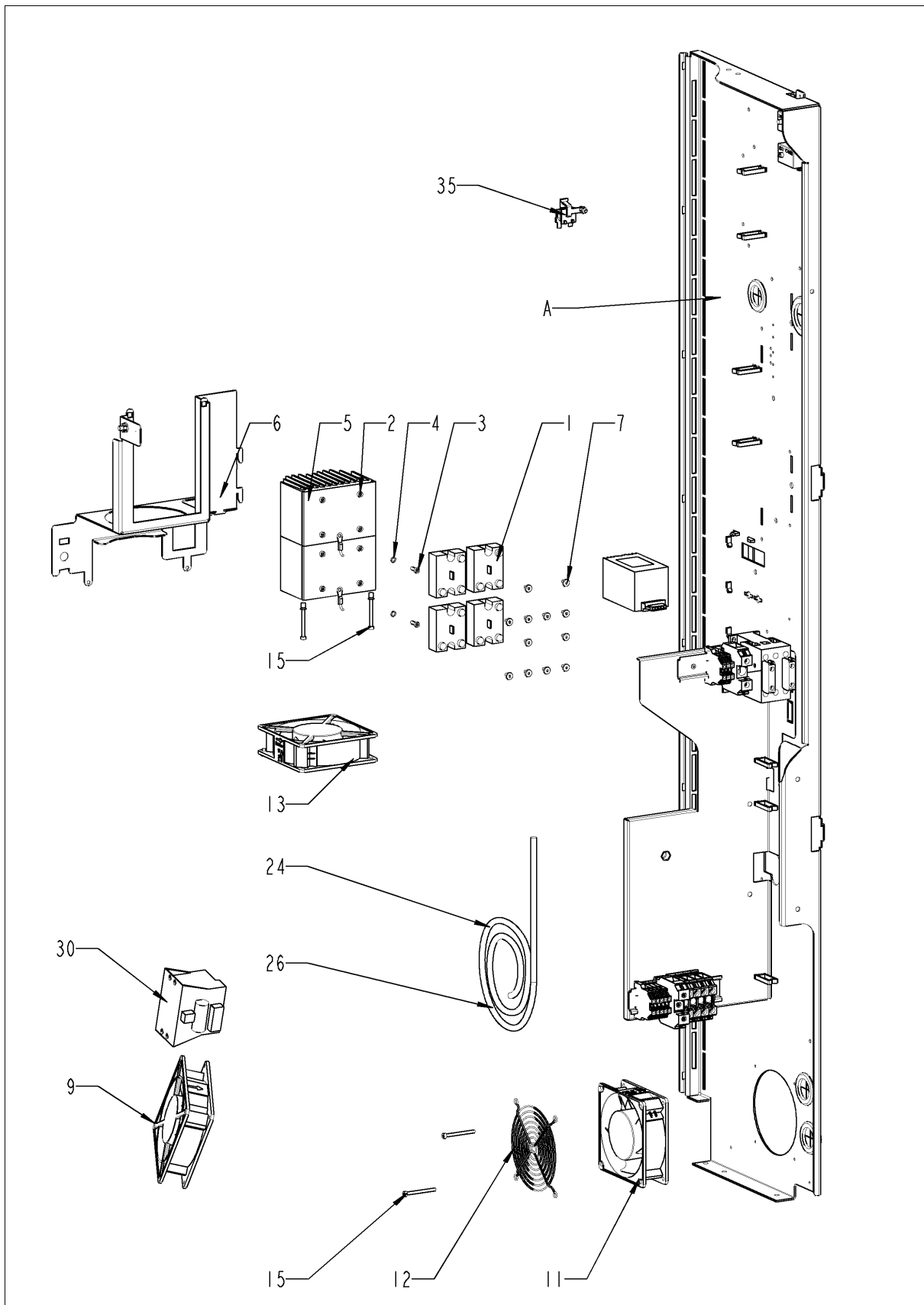
**Combi Master 202 - 20 x 2/1 GastronormE**  
**E22MH1112**

---

## **Control panel**

<b>Pos.</b>	<b>Part No.</b>	<b>Description</b>	<b>Qty.</b>
1	87.01.104	Control panel insert with overlay *FU*	1
2	42.00.161	Control pcb	1
7	16.00.822	Dial OEM, black-grey	3
8	5110.1027	Distance plate for front panel	2
10	40.00.464	Potentiometer CT	1
11	5110.1029	Gasket mode switch	2
13	16.01.908	Sealing f. panel insert	1

## Electrical installation



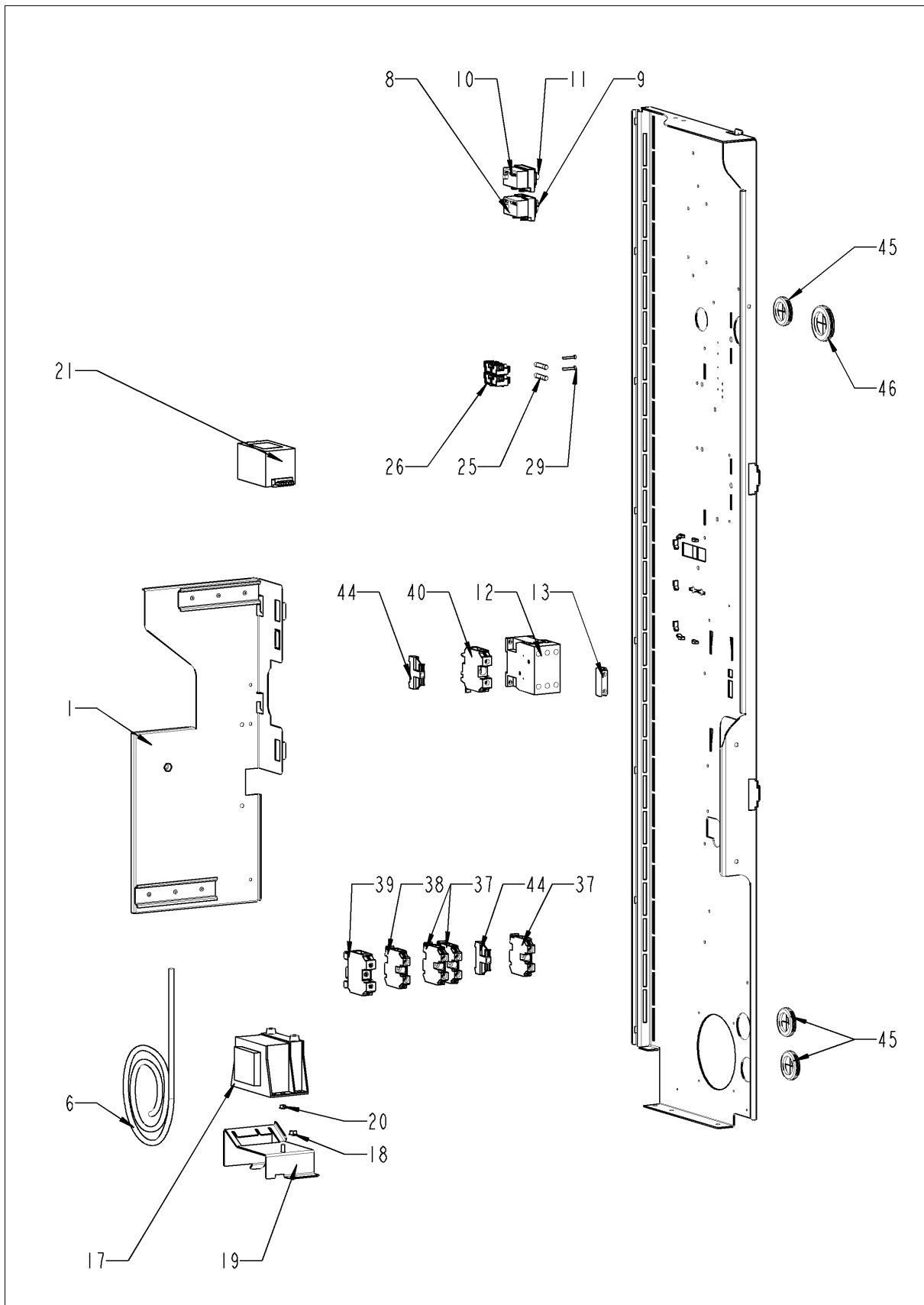
**Combi Master 202 - 20 x 2/1 GastronormE**  
**E22MH1112**

---

## **Electrical installation**

<b>Pos.</b>	<b>Part No.</b>	<b>Description</b>	<b>Qty.</b>
1	40.00.453	Solid state relais	12
2	10.00.061	Pan head screw Torx T20 M4x12	24
3	10.00.061	Pan head screw Torx T20 M4x12	4
4	1204.0120	Tooth lock washer A4,3	4
5	40.03.537	Heat sink 3 SSR	4
6	40.03.393	Mounting device heat sink SSR	2
7	10.00.507	Pan head screw Torx 5/16" T20	36
9	40.03.985	Cooling fan	1
11	40.03.425	Cooling fan	1
12	2005.0106	Protective grid for cooling fan	1
13	40.03.425	Cooling fan	1
14	40.03.425	Cooling fan	1
15	10.00.564	Pan head screw Torx T20 M4x45	6
24	40.03.999	Bus cable 1.5m	1
26	40.03.998	Bus cable 1.15m	1
30	40.03.984	Transformer f. cooling fan	1
35	40.04.048	Buzzer	1
A		Electrical installation	1

## Electrical installation





# Combi Master 202 - 20 x 2/1 GastronormE

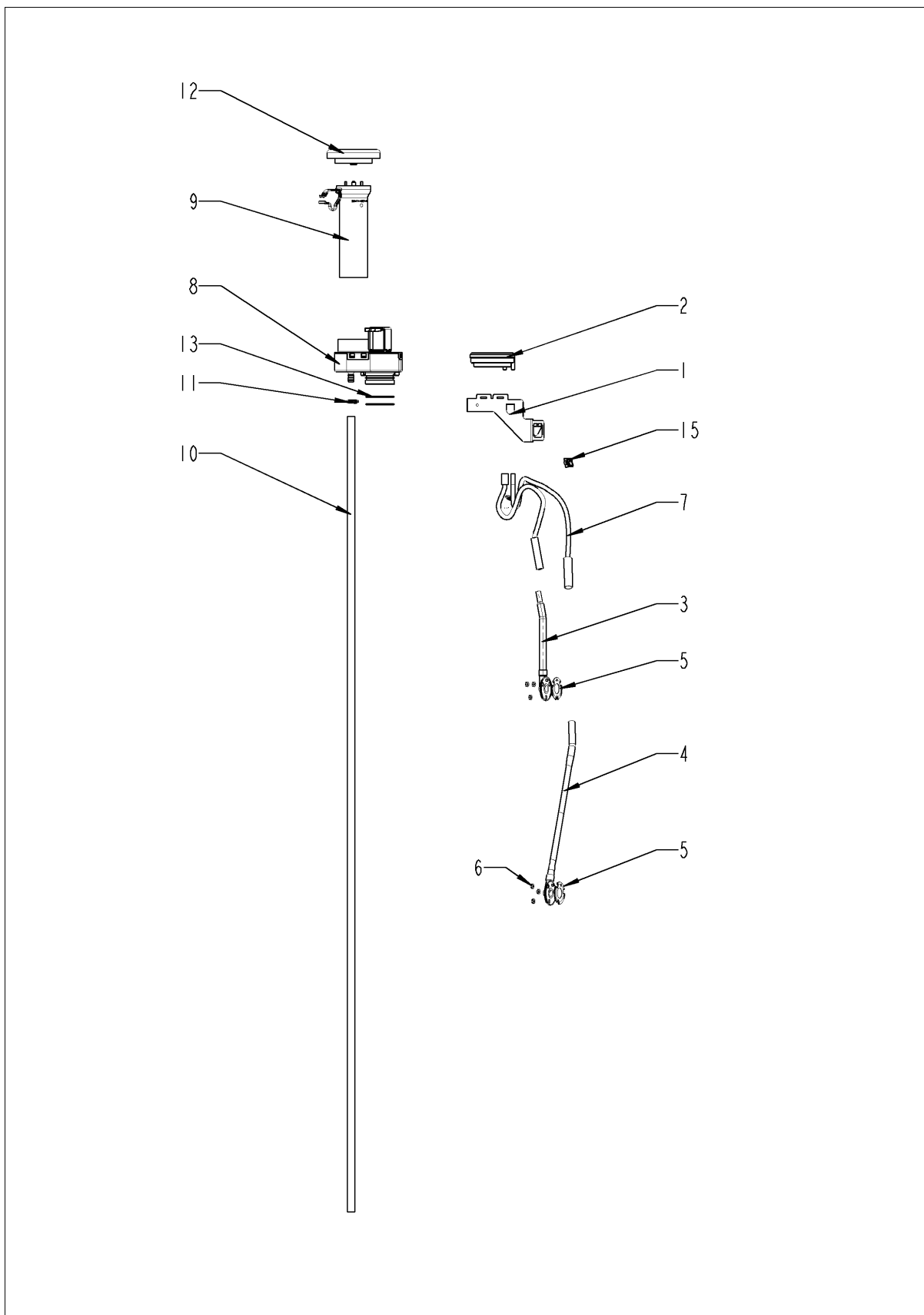
## E22MH1112

---

### Electrical installation

Pos.	Part No.	Description	Qty.
1	40.02.696	Contacteur assembly	1
5	40.03.487	Cable contactor-SSR	1
6	40.03.816	Cable control harness	1
8	40.01.329	Dry up protector 183°	1
9	3014.0302	Hex nut M10 for dry-up protector	1
10	40.01.482	Safety temperature limiter 365°C	1
11	3014.0327	Hex nut M10x1,0	1
12	40.04.008	Contacteur B&J K3-176A00 230	1
13	40.02.798	Auxilliary contact B&J HKA11 N/O-N/C	1
14	10.00.066	Raised countersunk head screw Torx T20 M4x16	4
15	10.00.744	Washer A4,3 *A4	4
17	40.03.348	Control transformer T1	1
18	10.01.065	Hex nut M5	1
19	40.03.759	Mounting support transformer	1
20	10.00.709	Hex nut M6 w. locking	1
21	40.02.425	Varistor	1
25	4001.0224	Fuse 6.35x32mm	2
26	40.02.512	Fuse holder 2x6.3A	1
29	10.00.365	Pan head screw Torx M3x20	2
30	3019.0405	Fuse neozed 63A	12
31	40.01.491	Fuse holder block neozed 3ph 63 A	4
33	40.03.524	Mounting support for fuse holder	1
34	40.03.947	Installation rail for Contacteur	1
35	10.00.061	Pan head screw Torx T20 M4x12	3
36	4001.1235	Screw cap e neozed 63A	12
37	40.01.609	Terminal block grey WKN 150/U	3
39	40.01.610	Earth terminal 20 WKN 70SL/U	1
40	40.01.611	Terminal block grey WKN 70/U	3
44	4001.1203	End plate for mounting rail	3
45	4007.0620	Membrane DGC 29	3
46	4007.0621	Membrane DGC 36	2
52	40.03.728	Earth terminal WKN 16SL/U	1

## ClimaPlus



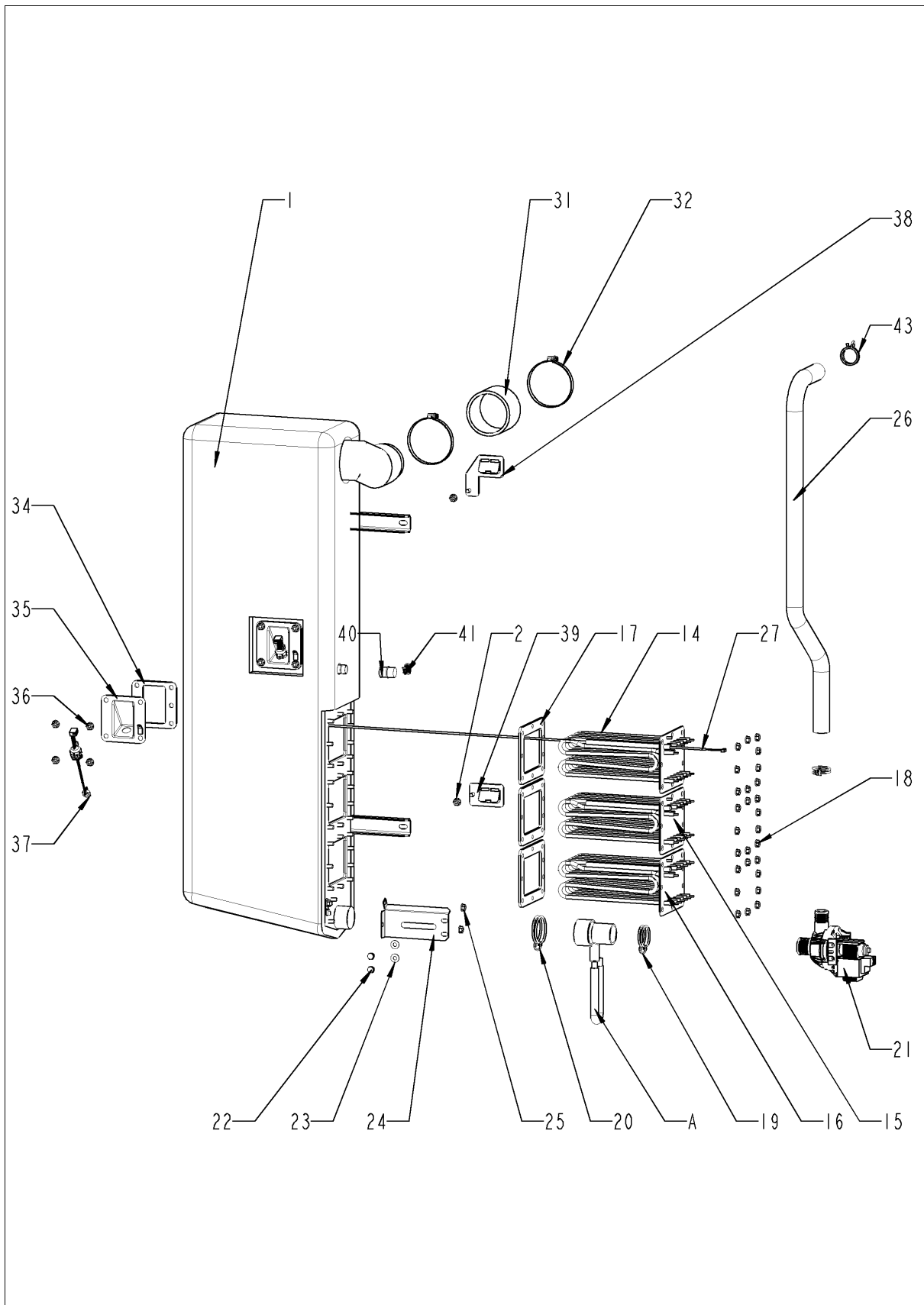
**Combi Master 202 - 20 x 2/1 GastronormE**  
**E22MH1112**

---

**ClimaPlus**

<b>Pos.</b>	<b>Part No.</b>	<b>Description</b>	<b>Qty.</b>
1	22.00.882	Mounting device f. pressure sensor	2
2	3017.1011	Pressure sensor for humidity control Huba 401	1
3	22.00.908	Inner humidity meas. Piece	1
4	22.00.850	Outer humidity meas. Piece	1
5	22.00.881	Gasket f. hum. meas. Pipe	2
6	1104.0122	Hex combination nut M4 galv	6
7	22.00.525	Hose set f. humidity control	1
8	22.00.725	Humidity control cpl.	1
9	22.00.916	Air inlet pipe	1
10	22.00.958	Drain hose for humidity control	1
11	2066.0527	Hose clamp ø14mm	2
12	22.00.767	Vent cover	1
13	22.00.837	O-ring for humidity control	2
15	10.00.111	Cable clip long	2

## Steam generator



# Combi Master 202 - 20 x 2/1 GastronormE

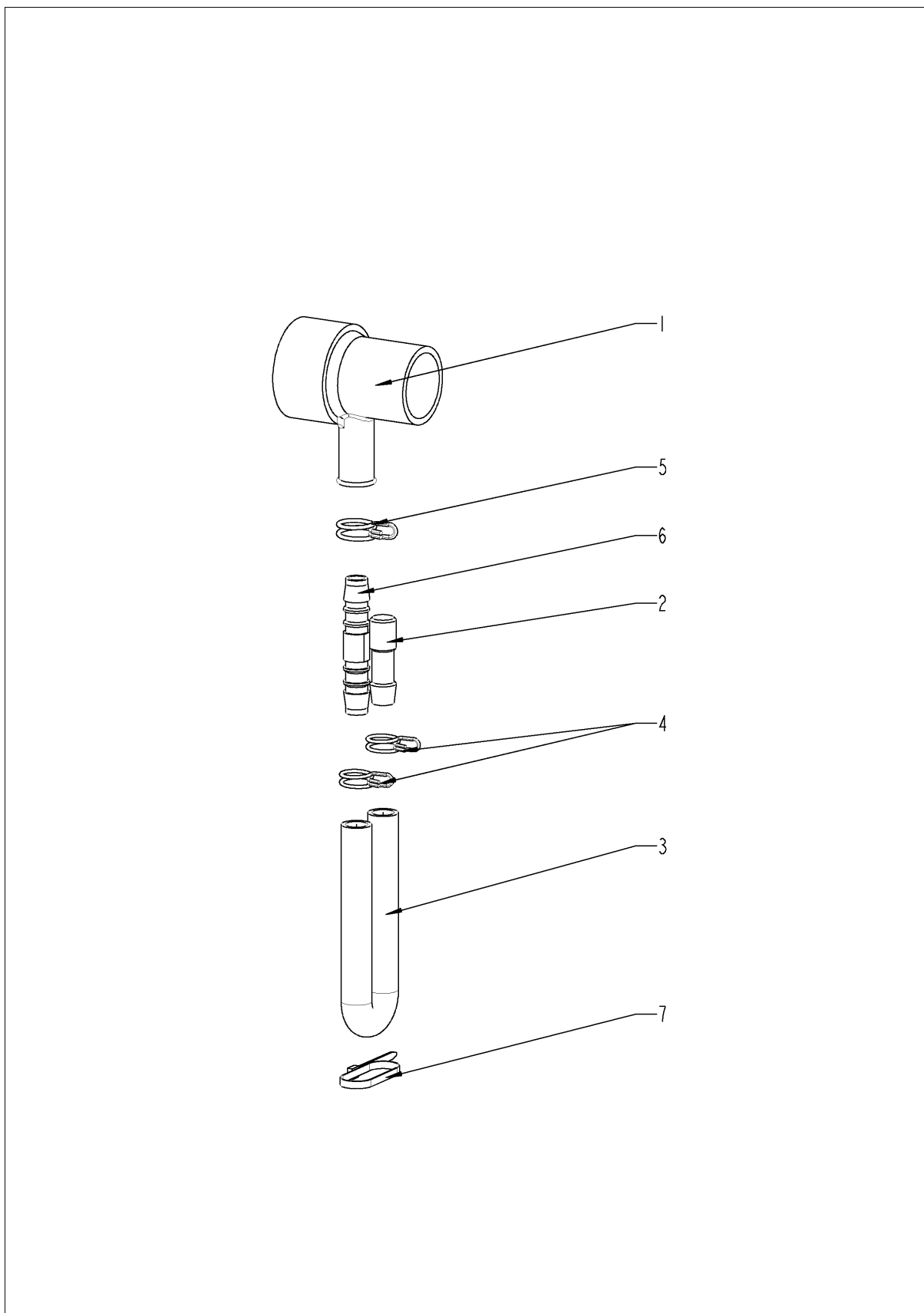
## E22MH1112

---

### Steam generator

Pos.	Part No.	Description	Qty.
1	44.00.947	Steam generator insolated	1
2	10.00.709	Hex nut M6 w. locking	2
14	44.01.350	Heating element	1
15	44.01.350	Heating element	1
16	44.01.350	Heating element	1
17	44.00.279	Gasket f. heating element	3
18	10.00.709	Hex nut M6 w. locking	27
19	2066.0519	Hose clamp 35,6mm	1
20	2066.0526	Hose clamp ø46mm	1
21	44.00.207	Emptying pump	1
22	1006.0762	Hex screw M6x10	2
23	1306.0222	Washer A6,4x15x1,5	2
24	44.00.232	Fixing device f. pump steam generator	1
25	10.00.709	Hex nut M6 w. locking	2
26	44.01.224	Drain hose steam generator	1
27	40.04.107	Thermocouple steam generator *B5*	1
29	10.00.414	Cable strap black 120°	1
30	1104.0122	Hex combination nut M4 galv	1
31	44.00.362	Steam hose 70x5	1
32	2066.0516	Hose clamp 60-80 mm	2
34	44.00.280	Gasket f. heating element+Level elektrode insert	1
35	2920.1300	Level elektrode insert	1
36	10.00.709	Hex nut M6 w. locking	4
37	44.01.408	Filling level electrode 90 mm	1
38	44.01.168	Fixing angle steam generator	1
39	44.01.181	Fixing angle steam generator	1
40	44.01.031	Closing cap for steam generator	1
41	10.00.982	Hose clamp D=18.2	1
43	2066.0518	Hose clamp 30mm	2
A	8354.1320	Pump connection spout cpl.	1

## Pump connection spout



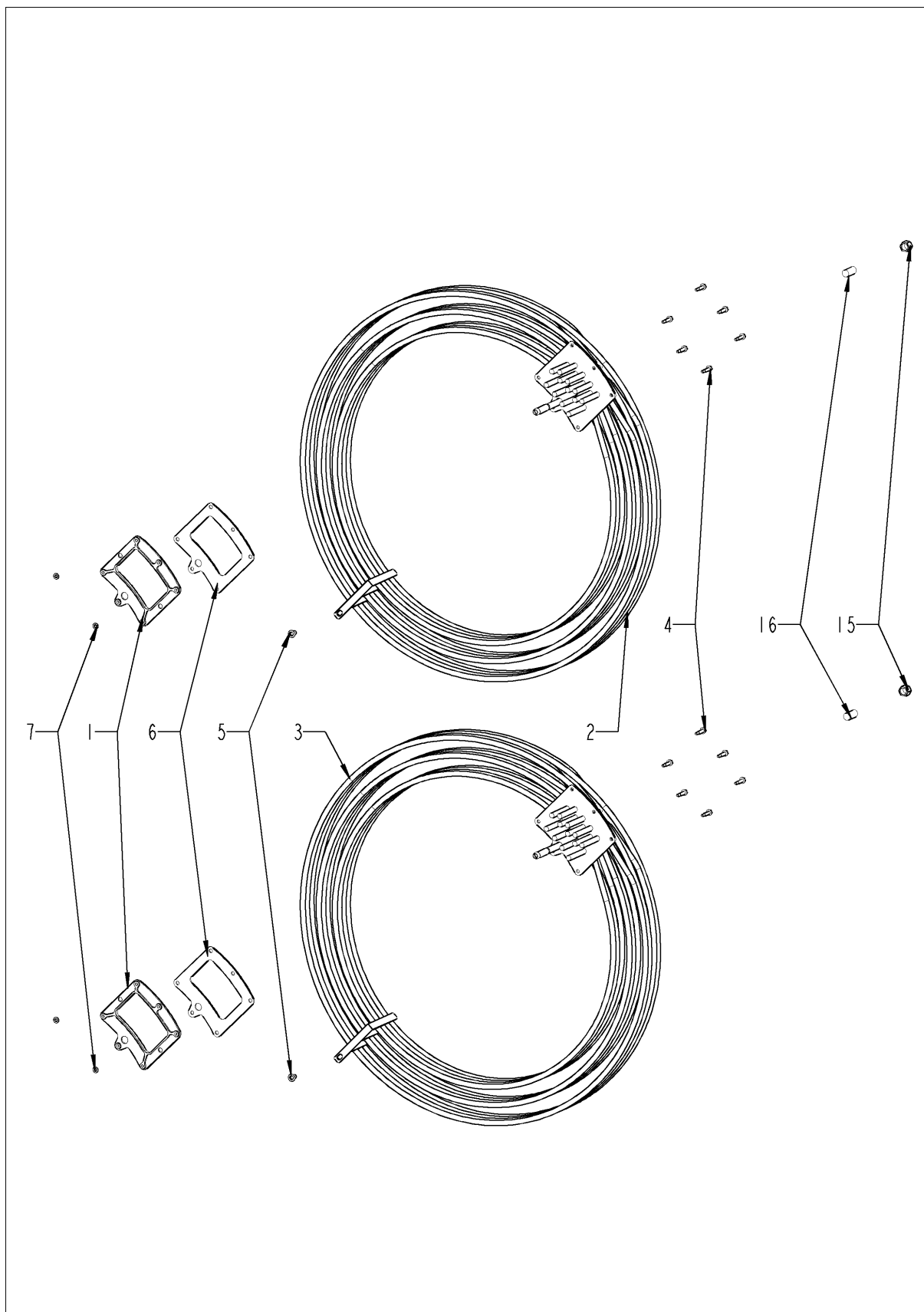
**Combi Master 202 - 20 x 2/1 GastronormE**  
**E22MH1112**

---

## **Pump connection spout**

<b>Pos.</b>	<b>Part No.</b>	<b>Description</b>	<b>Qty.</b>
1	2118.1000	Pump connection spout	1
2	2120.1259	Stop plug 10mm	1
3	2110.1008	Silicon hose ø10x2mm	1
4	2066.0527	Hose clamp ø14mm	2
5	2066.0530	Hose clamp ø16.4mm	1
6	2062.0331	Junction pressure hose GS 10	1
7	4005.0101	Tie rap 145 mm	1

## Hot air heating





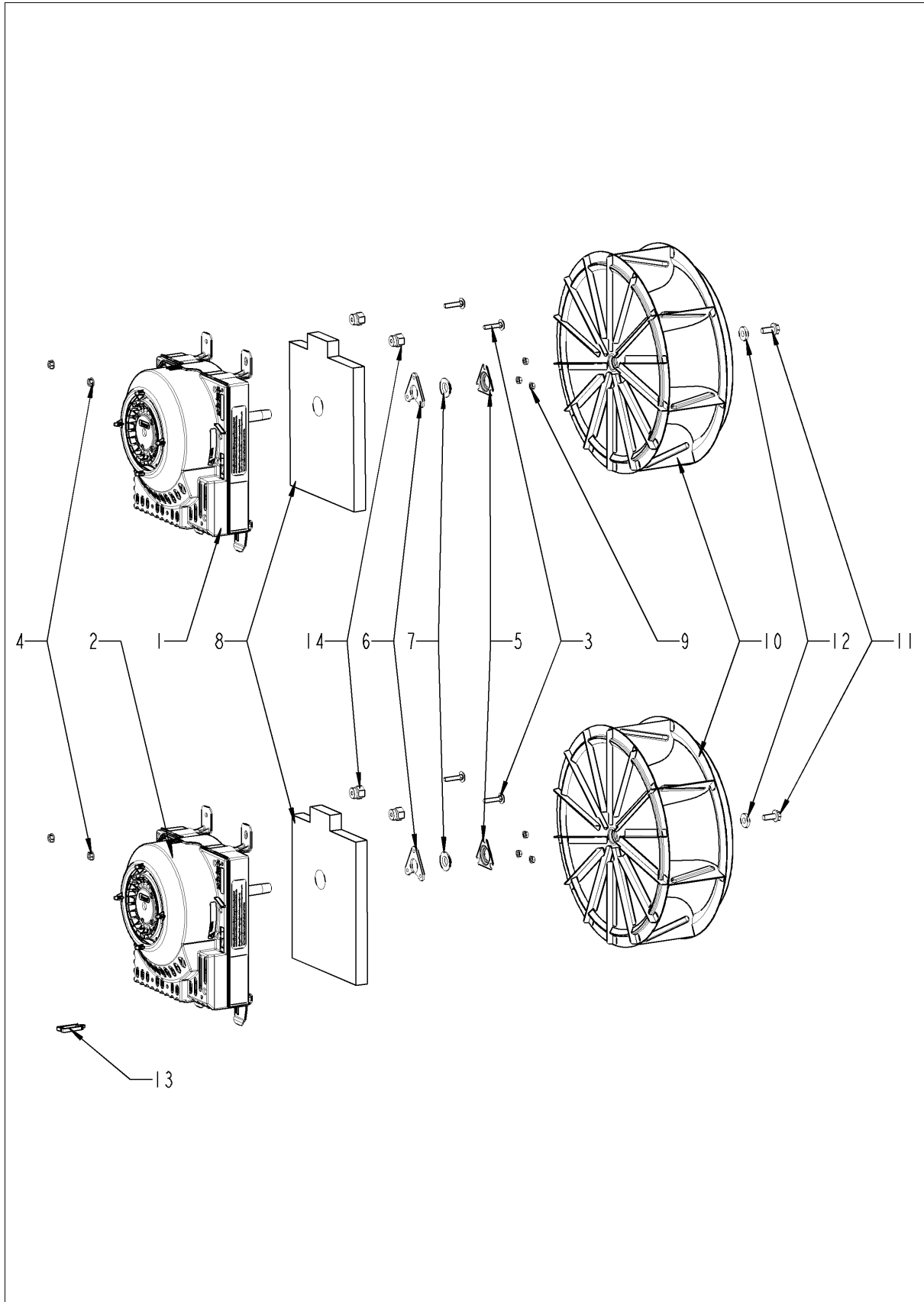
**Combi Master 202 - 20 x 2/1 GastronormE**  
**E22MH1112**

---

## Hot air heating

<b>Pos.</b>	<b>Part No.</b>	<b>Description</b>	<b>Qty.</b>
1	40.03.413	Mating flange f. heating assembly	2
2	40.03.658	Heating assembly	1
3	40.03.658	Heating assembly	1
4	10.00.109	Hex screw M5x23	12
5	10.01.076	Cap nut M5*A2	2
6	40.03.416	Gasket f. heating assembly	2
7	1107.0103	Star lock ø3	4

## Motor and fan wheel



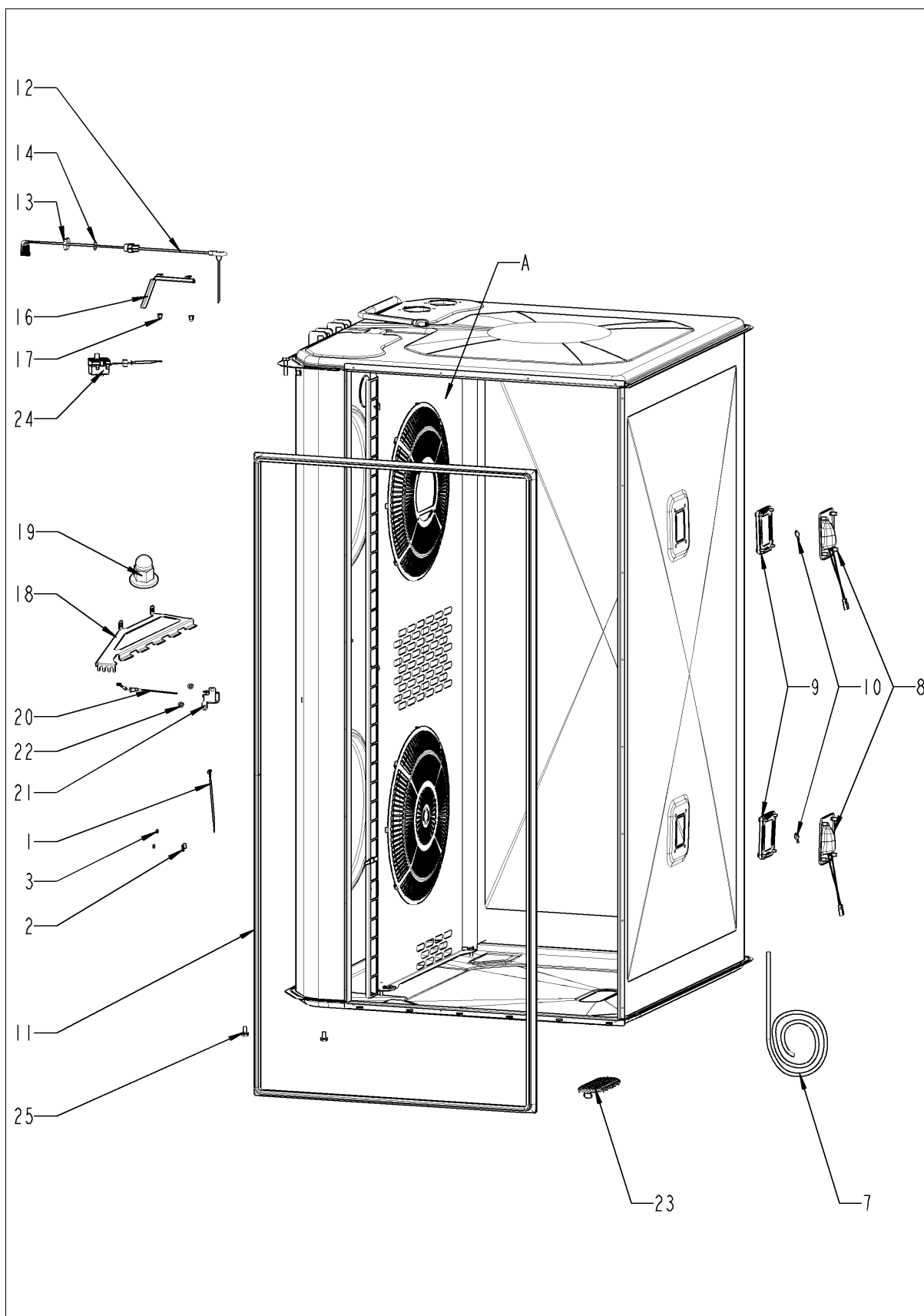
**Combi Master 202 - 20 x 2/1 GastronormE**  
**E22MH1112**

---

## **Motor and fan wheel**

<b>Pos.</b>	<b>Part No.</b>	<b>Description</b>	<b>Qty.</b>
1	40.03.513	Fan motor	1
2	40.03.513	Fan motor	1
3	10.01.049	Square necked mushroom head bolt 6x30	8
4	10.00.709	Hex nut M6 w. locking	4
5	22.00.721	Flange f. motor shaft gasket	2
6	22.00.722	Mounting support f. gasket flange	2
7	22.00.083	Motor shaft gasket	2
8	20.01.755	Isolation for mounting plate for motor	2
9	10.01.065	Hex nut M5	6
10	22.00.829	Fan wheel	2
11	10.00.565	Hex screw M8x20	2
12	1308.0162	Washer A8,4	2
13	10.00.111	Cable clip long	3
14	20.01.411	Bushing for motor mounting bar	8

## Interior cabinet



## Combi Master 202 - 20 x 2/1 GastronormE

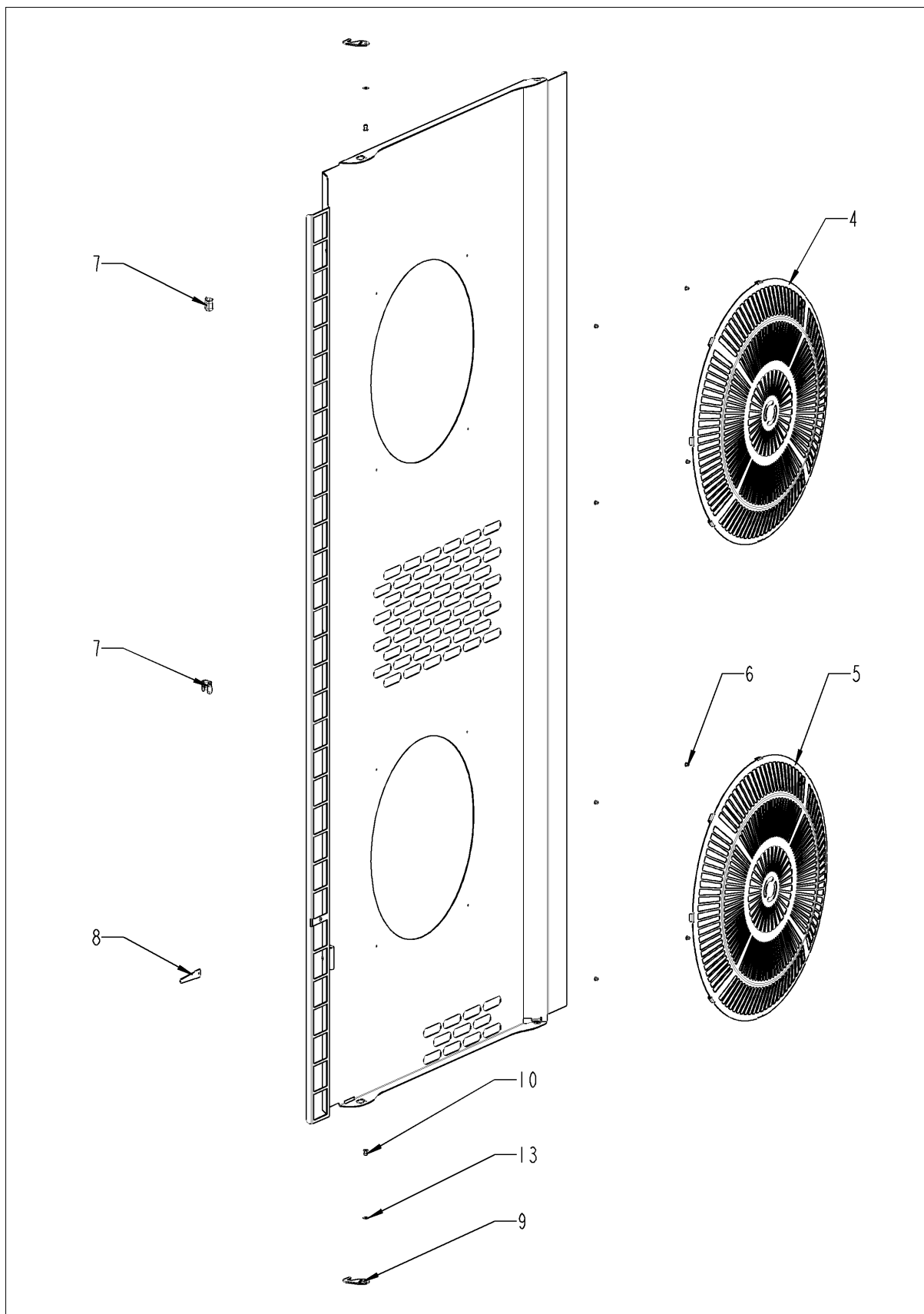
### E22MH1112

---

## Interior cabinet

Pos.	Part No.	Description	Qty.
1	40.00.399	Thermocouple humidity	1
2	10.00.087	Clamp strap f. sensor	1
3	10.00.100	Hex nut M4, self-locking	1
7	40.03.532	Wiring interior light	1
8	40.00.098	Reflector f. interior light	2
9	40.00.091	Gasket frame w. glass a. gaskets	2
10	3024.0201	Halogen bulb 300°C	1
10	3024.0201	Halogen bulb 300°C	1
11	20.00.399	Door gasket	1
12	40.04.041	Meat probe sensor	1
13	10.00.612	Hex nut M16 flat	1
14	1315.0104	Copper washer 16x20x1,5	1
16	40.01.317	Screen core temperature sensor	1
17	10.01.076	Cap nut M5*A2	2
18	22.00.780	Air baffle support	1
19	10.01.076	Cap nut M5*A2	4
20	40.03.528	Thermocouple interior cabinet B1	1
21	40.03.782	Screen interior cabinet sensor	1
22	10.01.076	Cap nut M5*A2	2
23	54.01.117	Outlet sieve	1
24	40.01.482	Safety temperature limiter 365°C	1
25	3014.0327	Hex nut M10x1,0	1
A	22.00.930	Air baffle	1

## Air baffle



**Combi Master 202 - 20 x 2/1 GastronormE**  
**E22MH1112**

---

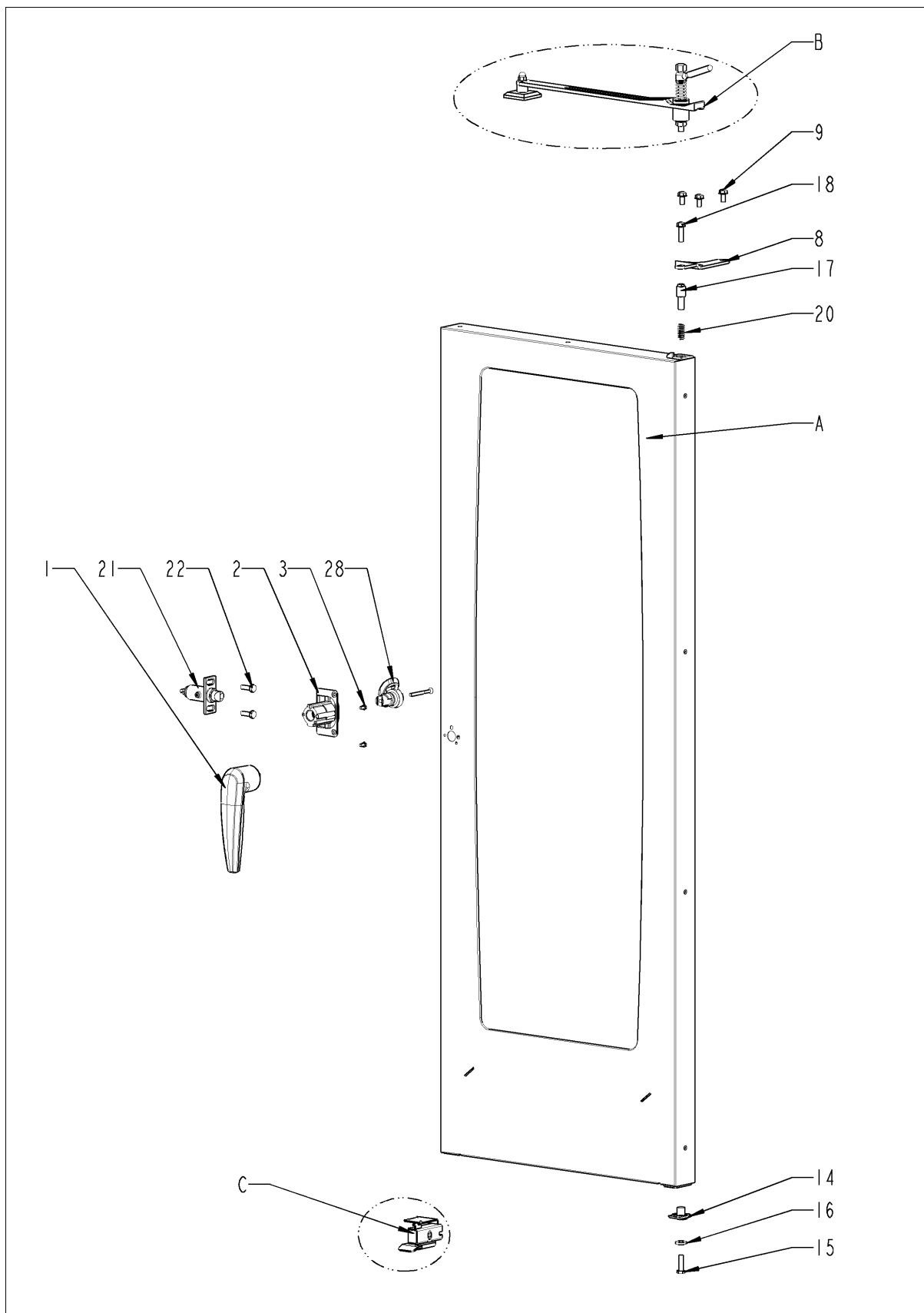
## **Air baffle**

<b>Pos.</b>	<b>Part No.</b>	<b>Description</b>	<b>Qty.</b>
4	22.00.734	Hand protection	1
5	22.00.734	Hand protection	1
6	10.00.515	Rivet 3,2x5 A4	8
7	40.03.780	Fixing clip core temp. cable	3
8	22.00.491	Surge guard for Meat probe sensor	1
9	2760.1370	Latch hook for air baffle	2
10	1604.0167	Rivet 4x10	3
13	10.00.744	Washer A4,3 *A4	1

# Combi Master 202 - 20 x 2/1 GastronormE

E22MH1112

## Door





# Combi Master 202 - 20 x 2/1 GastronormE

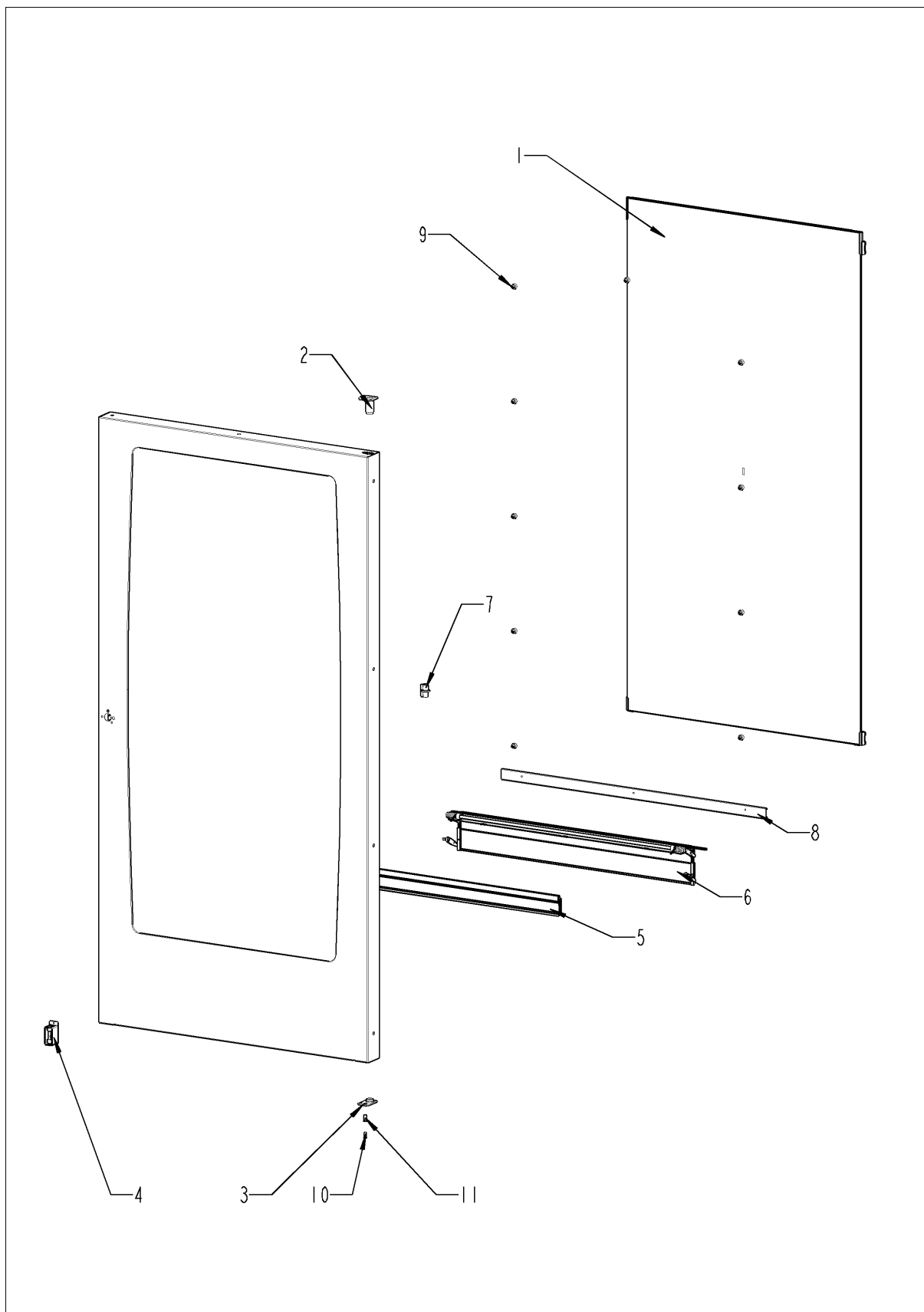
## E22MH1112

---

### Door

Pos.	Part No.	Description	Qty.
1	24.00.143	Door handle OEM black grey	1
2	24.01.350	Door lock	1
3	10.00.697	Hex screw M5x10 w. precoat 85	2
4	1305.0160	Washer A5,3x10mm	2
5	10.00.090	Cap f. Torx T30	1
7	10.00.696	Allen screw M4x6 w. Precoat 85	2
8	24.00.133	Door mounting support top	1
9	1008.0768	Ornamental screw M8x16	3
14	24.00.145	Door bolt	1
15	1008.0766	Hex screw M8x30	1
16	1308.0162	Washer A8,4	1
17	24.00.048	Door bolt	1
18	1008.0769	Ornamental screw M8x30	1
20	2001.0109	Compression spring	1
21	24.01.351	Door catch	1
22	1008.0761	Hex screw M8x25	2
28	87.00.540	Door bolt cpl.	1
A	24.00.126	Door	1

## Door



## Combi Master 202 - 20 x 2/1 GastronormE

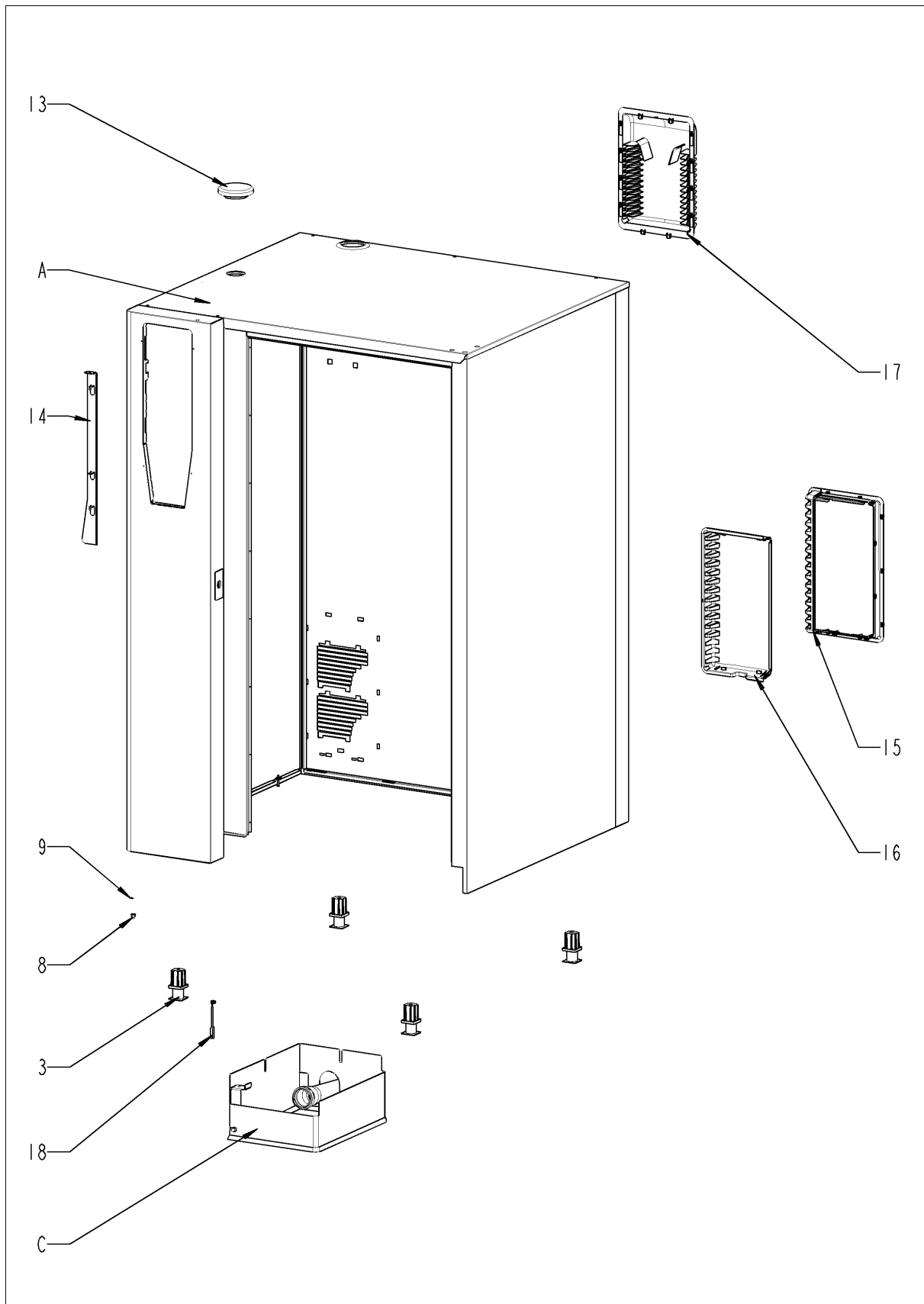
### E22MH1112

---

## Door

Pos.	Part No.	Description	Qty.
1	24.00.212	Inner glass pane	1
2	24.00.147	Sleeve for door bolt top	1
3	24.00.159	Door setting bolt	1
4	24.01.346	Fixing device f. magnet with magnet, adjustable	1
5	24.00.194	Gasket glass pane/trolley	1
6	24.00.178	Pre heat mechanism f. door cpl.	1
7	24.00.507	Fixing device middle f.inter. glass pane	1
8	24.00.701	Additional gasket f. trolley	1
9	24.01.259	Plastic buffer 8,1mm for door	1
10	1005.1966	Countersunk screw Torx M5x16	2
11	10.00.041	Rivet nut M5 hexagon closed	2

## Exterior cabinet



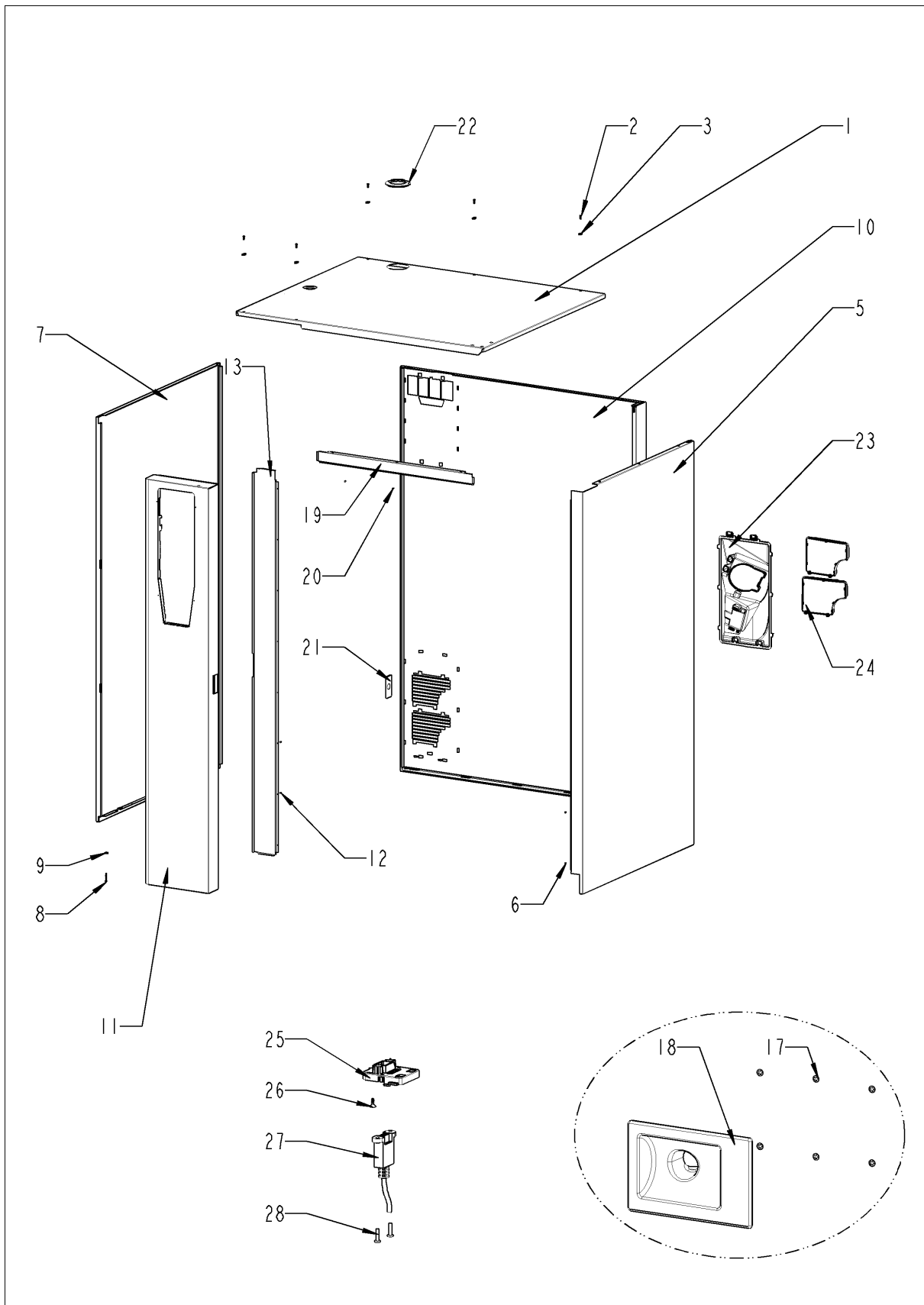
**Combi Master 202 - 20 x 2/1 GastronormE**  
**E22MH1112**

---

**Exterior cabinet**

<b>Pos.</b>	<b>Part No.</b>	<b>Description</b>	<b>Qty.</b>
3	2039.0111	Foot adjustable, metal, 40 x 40	4
8	10.00.745	Cap nut M6*A2	1
9	1206.0120	Tooth lock washer A6,4	1
13	22.00.767	Vent cover	1
14	16.01.965	Opening mechanism for panel insert	1
15	40.03.385	Frame for air inlet filter	1
16	40.03.392	Cover for air inlet filter	1
17	40.03.366	Cover air outlet	1
18	40.00.454	Door switch 1.65m	1
A		Exterior cabinet	1
C	12.01.142	NSF housing floor units 201-202	1

## Exterior cabinet



# Combi Master 202 - 20 x 2/1 GastronormE

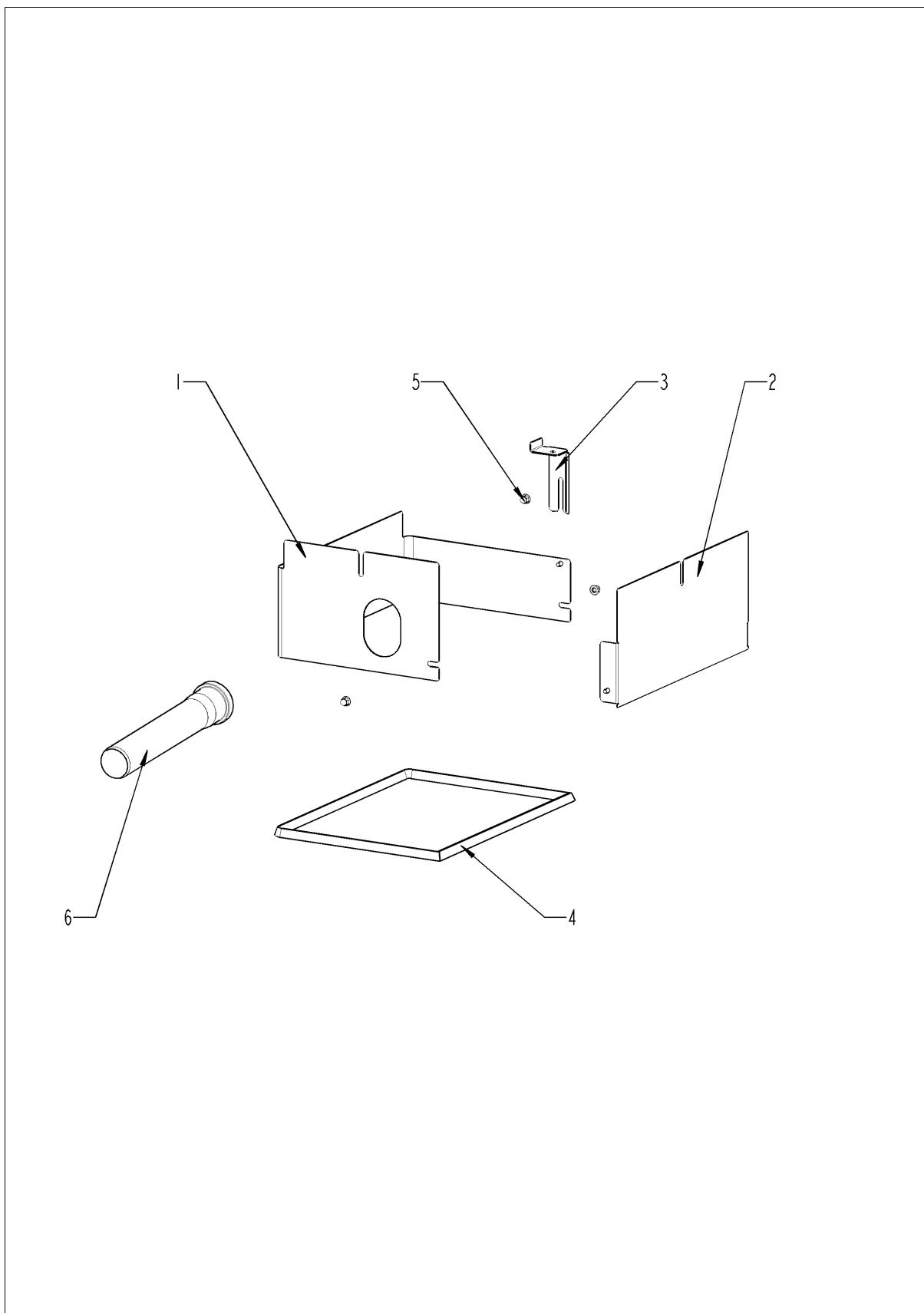
## E22MH1112

---

### Exterior cabinet

Pos.	Part No.	Description	Qty.
1	16.02.167	Top cover	1
2	1003.2265	Countersunk self tapping screw 4,2x16	5
3	1104.0820	Snap nut 4,2mm	5
5	16.00.158	Side panel right	1
6	1603.0166	Rivet 3,2x7,9 CNS closed	8
7	16.00.139	Side panel left	1
8	10.00.992	Hex self tapping screw B4,2x32	2
9	1104.0820	Snap nut 4,2mm	2
10	16.01.842	Back panel	1
11	16.01.839	Front panel	1
12	1603.0166	Rivet 3,2x7,9 CNS closed	8
13	16.00.358	Crossbar front panel	1
14	10.00.745	Cap nut M6*A2	2
17	1107.0100	Star lock ø4	8
18	16.01.941	Tulip for handshower with gasket	1
19	16.00.331	Crossbar top	1
20	1603.0166	Rivet 3,2x7,9 CNS closed	4
21	24.02.263	Cover for door latch	1
22	16.01.579	Gasket f. breather tube d=79mm	1
23	40.03.262	Fan housing	1
24	40.02.684	Air inlet filter cpl.	2
25	16.00.329	Cover f. USB interface	1
26	10.00.103	EJOT PT-screw KA 3.5x10	1
27	40.04.047	Interface cable USB 1.6m	1
28	10.00.460	EJOT PT-Screw Torx 3,5x14	2

## NSF housing floor units 201-202





**Combi Master 202 - 20 x 2/1 GastronormE**  
**E22MH1112**

---

**NSF housing floor units 201-202**

<b>Pos.</b>	<b>Part No.</b>	<b>Description</b>	<b>Qty.</b>
1	12.01.153	NSF housing right floor units 201-202	1
2	12.01.154	NSF housing left floor units 201-202	1
3	12.01.151	Fixing angle NSF housing floor units 201-202	1
4	12.01.140	Gasket NSF housing floor units 201-202	1
5	10.00.745	Cap nut M6*A2	3
6	2070.0054	HT pipe, DN 50, 250 mm	1



# Combi Master 202 - 20 x 2/1 GastronormE

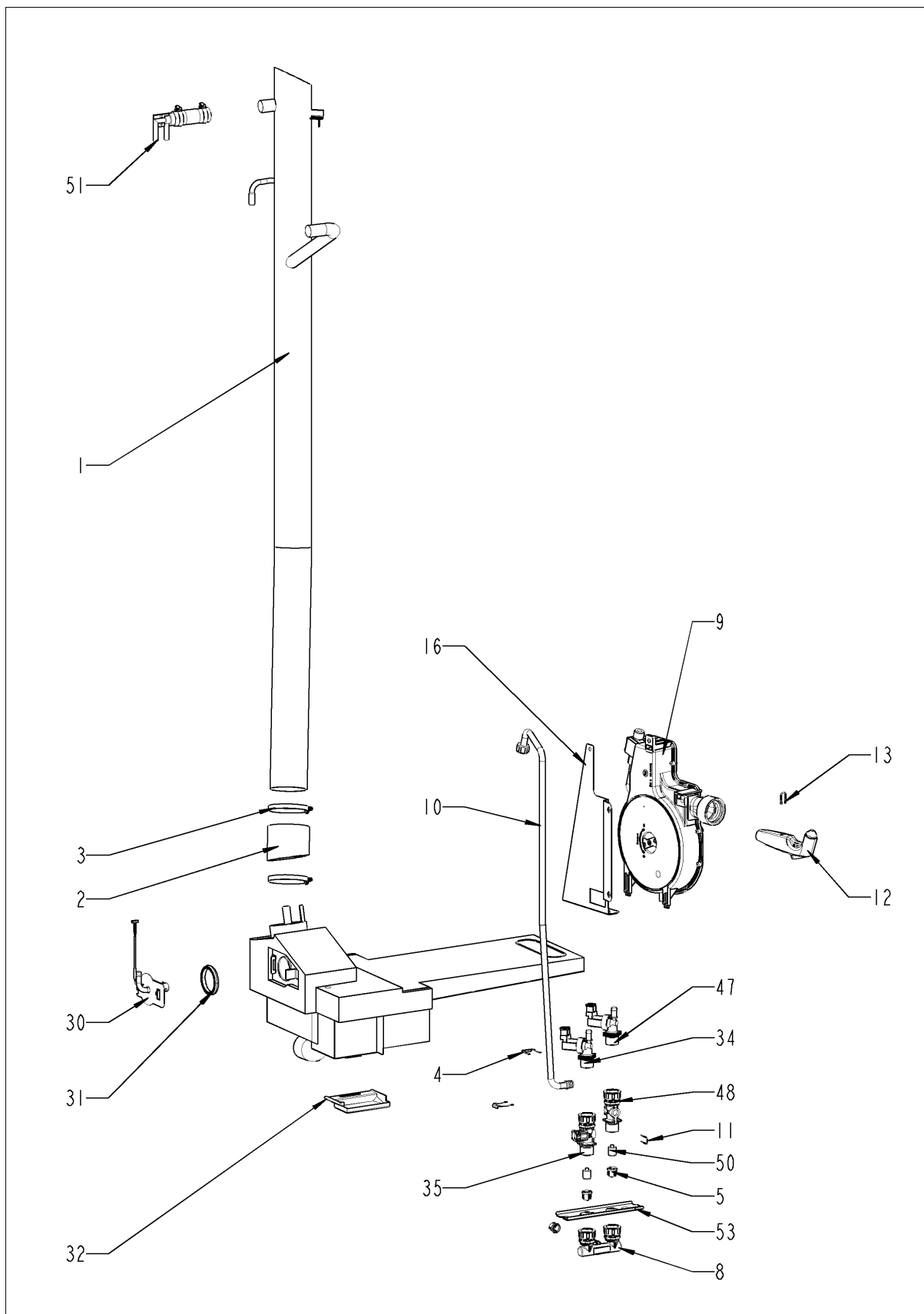
## E22MH1112

---

### Water

Pos.	Part No.	Description	Qty.
1	54.00.984	Ventilation pipe	1
2	54.01.045	Hose 76x5mm	1
3	2066.0505	Hose clamp 70-90mm	2
6	2066.0205	Hose clamp 8-16x9 mm SW 7mm	1
8	8664.1301	T-fitting water connection	1
9	50.00.176	Hand shower roll guide	1
10	50.01.373	Connect. pipe f. hand shower roll guide	1
10	50.01.213	Connect. pipe f. hand shower roll guide	1
11	50.00.085	Plug-in spring f. hand shower roll guide	1
12	50.00.282	Hand shower black	1
13	50.00.156	Clamp f. hand shower roll guide	1
16	50.00.278	Mounting device f. hand sh. roll guide	1
17	1106.0803	Hex combination nut M6 galv	1
18	1006.0760	Hex screw M6x16	1
19	1306.0222	Washer A6,4x15x1,5	1
20	50.00.548	Hose ø10x2x500 f. hand shower	1
21	2066.0527	Hose clamp ø14mm	1
22	10.00.661	Edge protection profile	1
23	10.00.099	Hex screw M8x12	2
24	1308.0160	Washer A8,4	2
30	54.01.254	Inspection lid, quenching nozzle, B2	1
31	54.01.168	Gasket f. inspection lid quenching	1
32	54.01.191	Collecting pan	1
33	10.00.745	Cap nut M6*A2	1
34	50.01.147	Single solenoid valve	1
35	50.00.072	Water distribution vert roll guide con.	1
38	2067.0050	Pressure hose d10mm	2.08
39	2067.0050	Pressure hose d10mm	.91
47	50.01.146	Single solenoid valve	1
48	50.00.073	Water distribution vert w/o roll guide con.	1
49	2067.0050	Pressure hose d10mm	1.34
50	50.00.078	Non return valve DW16/DN12	2
51	8354.1304	Venting valve for steam generator	1
52	1900.0202	Water filter	3
53	50.01.543	Mounting device f. water distribution	1
54	50.00.086	Locking plate f. water distribution	2

## Water



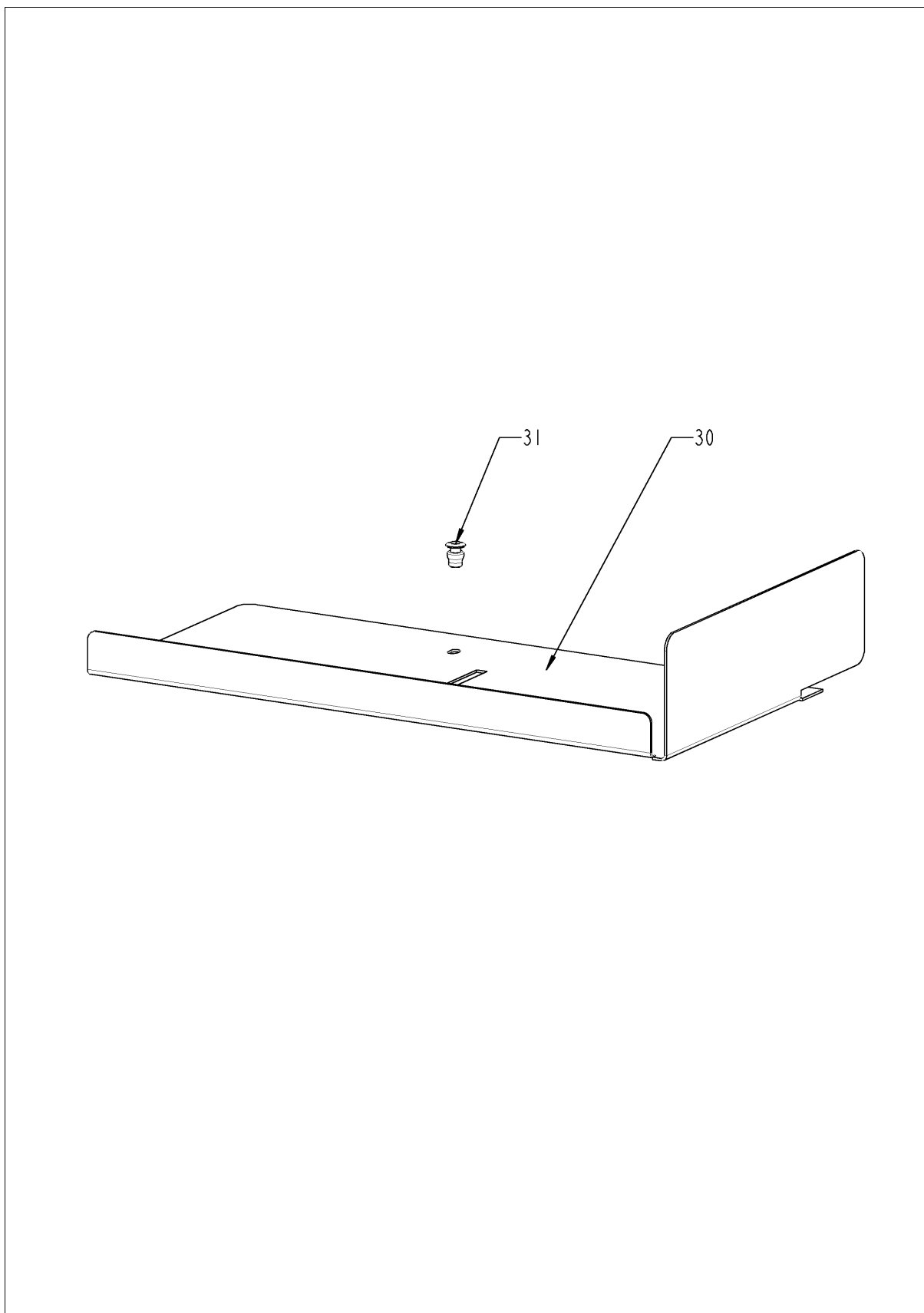
**Combi Master 202 - 20 x 2/1 GastronormE**  
**E22MH1112**

---

**Water**

<b>Pos.</b>	<b>Part No.</b>	<b>Description</b>	<b>Qty.</b>
55	2022.0101	Grommet d8mm	1
56	10.00.991	Sealing cap	1

## CleanJet + Care



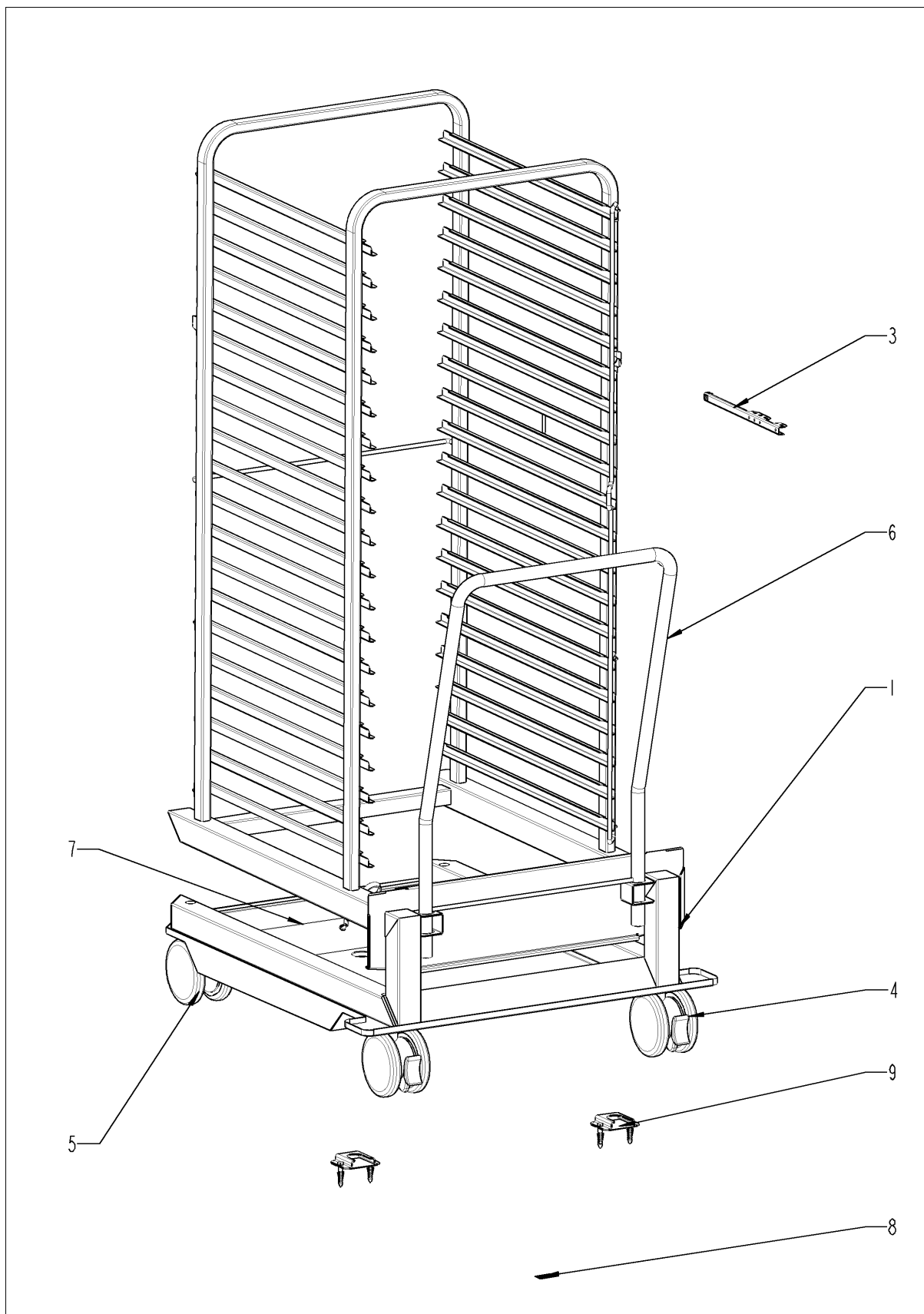
**Combi Master 202 - 20 x 2/1 GastronormE**  
**E22MH1112**

---

**CleanJet + Care**

<b>Pos.</b>	<b>Part No.</b>	<b>Description</b>	<b>Qty.</b>
30	12.00.229	Cover for CleanJet pump opening	1
31	1603.0166	Rivet 3,2x7,9 CNS closed	2

## Standard accessory





**Combi Master 202 - 20 x 2/1 GastronormE**  
**E22MH1112**

---

**Standard accessory**

<b>Pos.</b>	<b>Part No.</b>	<b>Description</b>	<b>Qty.</b>
1	60.22.086V	Mobile oven rack type 202	1
4	60.60.100	Castor with brake ø125mm	1
5	60.60.101	Castor without brake ø125mm	1
6	60.22.072	Handle for mobile oven rack	1
7	60.22.223	Drip collector	1
8	10.01.195	Sticker set	1
9	8700.0317	Floor fixing for units	1
11	60.72.406	Holder for handle mobile oven rack Type 202	1

# Combi Master 202 - 20 x 2/1 GastronormE

## E22MH1112

---

## Index

Part-no.	Description	Page
24.00.701	Additional gasket f. trolley .....	27
22.00.930	Air baffle .....	21
22.00.780	Air baffle support .....	21
40.02.684	Air inlet filter cpl. ....	31
22.00.916	Air inlet pipe .....	11
10.00.696	Allen screw M4x6 w. Precoat 85 .....	25
40.02.798	Auxilliary contact B&J HKA11 N/O-N/C .....	9
16.01.842	Back panel .....	31
40.03.999	Bus cable 1.5m .....	7
40.03.998	Bus cable 1.15m .....	7
20.01.411	Bushing for motor mounting bar .....	19
40.04.048	Buzzer .....	7
10.00.111	Cable clip long .....	11, 19
40.03.487	Cable contactor-SSR .....	9
40.03.816	Cable control harness .....	9
10.00.414	Cable strap black 120° .....	13
10.00.090	Cap f. Torx T30 .....	25
10.01.076	Cap nut M5*A2 .....	17, 21
10.00.745	Cap nut M6*A2 .....	29, 31, 33, 35
60.60.100	Castor with brake ø125mm .....	41
60.60.101	Castor without brake ø125mm .....	41
50.00.156	Clamp f. hand shower roll guide .....	35
10.00.087	Clamp strap f. sensor .....	21
44.01.031	Closing cap for steam generator .....	13
54.01.191	Collecting pan .....	35
2001.0109	Compression spring .....	25
50.01.373	Connect. pipe f. hand shower roll guide .....	35
50.01.213	Connect. pipe f. hand shower roll guide .....	35
40.02.696	Contact assembly .....	9
40.04.008	Contact B&J K3-176A00 230 .....	9
87.01.104	Control panel insert with overlay *FU* .....	5
42.00.161	Control pcb .....	5

# Combi Master 202 - 20 x 2/1 GastronormE

## E22MH1112

---

## Index

Part-no.	Description	Page
40.03.348	Control transformer T1 .....	9
40.03.985	Cooling fan .....	7
40.03.425	Cooling fan .....	7
1315.0104	Copper washer 16x20x1,5 .....	21
1005.1966	Countersunk screw Torx M5x16 .....	27
1003.2265	Countersunk self tapping screw 4,2x16 .....	31
40.03.366	Cover air outlet .....	29
16.00.329	Cover f. USB interface .....	31
40.03.392	Cover for air inlet filter .....	29
12.00.229	Cover for CleanJet pump opening .....	39
24.02.263	Cover for door latch .....	31
16.00.358	Crossbar front panel .....	31
16.00.331	Crossbar top .....	31
16.00.822	Dial OEM, black-grey .....	5
5110.1027	Distance plate for front panel .....	5
24.00.126	Door .....	25
24.00.145	Door bolt .....	25
24.00.048	Door bolt .....	25
87.00.540	Door bolt cpl. ....	25
24.01.351	Door catch .....	25
20.00.399	Door gasket .....	21
24.00.143	Door handle OEM black grey .....	25
24.01.350	Door lock .....	25
24.00.133	Door mounting support top .....	25
24.00.159	Door setting bolt .....	27
40.00.454	Door switch 1.65m .....	29
22.00.958	Drain hose for humidity control .....	11
44.01.224	Drain hose steam generator .....	13
60.22.223	Drip collector .....	41
40.01.329	Dry up protector 183° .....	9
40.01.610	Earth terminal 20 WKN 70SL/U .....	9
40.03.728	Earth terminal WKN 16SL/U .....	9

# Combi Master 202 - 20 x 2/1 GastronormE

## E22MH1112

---

## Index

Part-no.	Description	Page
10.00.661	Edge protection profile .....	35
10.00.103	EJOT PT-screw KA 3.5x10 .....	31
10.00.460	EJOT PT-Screw Torx 3,5x14 .....	31
44.00.207	Emptying pump .....	13
4001.1203	End plate for mounting rail .....	9
40.03.262	Fan housing .....	31
40.03.513	Fan motor .....	19
22.00.829	Fan wheel .....	19
44.01.408	Filling level electrode 90 mm .....	13
12.01.151	Fixing angle NSF housing floor units 201-202 .....	33
44.01.168	Fixing angle steam generator .....	13
44.01.181	Fixing angle steam generator .....	13
40.03.780	Fixing clip core temp. cable .....	23
24.01.346	Fixing device f. magnet with magnet, adjustable .....	27
44.00.232	Fixing device f. pump steam generator .....	13
24.00.507	Fixing device middle f.inter. glass pane .....	27
22.00.721	Flange f. motor shaft gasket .....	19
8700.0317	Floor fixing for units .....	41
2039.0111	Foot adjustable, metal, 40 x 40 .....	29
40.03.385	Frame for air inlet filter .....	29
16.01.839	Front panel .....	31
4001.0224	Fuse 6.35x32mm .....	9
40.02.512	Fuse holder 2x6.3A .....	9
40.01.491	Fuse holder block neozed 3ph 63 A .....	9
3019.0405	Fuse neozed 63A .....	9
16.01.579	Gasket f. breather tube d=79mm .....	31
40.03.416	Gasket f. heating assembly .....	17
44.00.279	Gasket f. heating element .....	13
44.00.280	Gasket f. heating element+Level electrode insert .....	13
22.00.881	Gasket f. hum. meas. Pipe .....	11
54.01.168	Gasket f. inspection lid quenching .....	35
40.00.091	Gasket frame w. glass a. gaskets .....	21

# Combi Master 202 - 20 x 2/1 GastronormE

## E22MH1112

---

## Index

<b>Part-no.</b>	<b>Description</b>	<b>Page</b>
24.00.194	Gasket glass pane/trolley .....	27
5110.1029	Gasket mode switch .....	5
12.01.140	Gasket NSF housing floor units 201-202 .....	33
2022.0101	Grommet d8mm .....	37
3024.0201	Halogen bulb 300°C .....	21
22.00.734	Hand protection .....	23
50.00.282	Hand shower black .....	35
50.00.176	Hand shower roll guide .....	35
60.22.072	Handle for mobile oven rack .....	41
40.03.537	Heat sink 3 SSR .....	7
40.03.658	Heating assembly .....	17
44.01.350	Heating element .....	13
1104.0122	Hex combination nut M4 galv .....	11, 13
1106.0803	Hex combination nut M6 galv .....	35
10.00.100	Hex nut M4, self-locking .....	21
10.01.065	Hex nut M5 .....	9, 19
10.00.709	Hex nut M6 w. locking .....	9, 13, 19
3014.0302	Hex nut M10 for dry-up protector .....	9
3014.0327	Hex nut M10x1,0 .....	9, 21
10.00.612	Hex nut M16 flat .....	21
10.00.697	Hex screw M5x10 w. precoat 85 .....	25
10.00.109	Hex screw M5x23 .....	17
1006.0762	Hex screw M6x10 .....	13
1006.0760	Hex screw M6x16 .....	35
10.00.099	Hex screw M8x12 .....	35
10.00.565	Hex screw M8x20 .....	19
1008.0761	Hex screw M8x25 .....	25
1008.0766	Hex screw M8x30 .....	25
10.00.992	Hex self tapping screw B4,2x32 .....	31
60.72.406	Holder for handle mobile oven rack Type 202 .....	41
54.01.045	Hose 76x5mm .....	35
2066.0205	Hose clamp 8-16x9 mm SW 7mm .....	35

# Combi Master 202 - 20 x 2/1 GastronormE

## E22MH1112

---

## Index

Part-no.	Description	Page
2066.0518	Hose clamp 30mm .....	13
2066.0519	Hose clamp 35,6mm .....	13
2066.0516	Hose clamp 60-80 mm .....	13
2066.0505	Hose clamp 70-90mm .....	35
10.00.982	Hose clamp D=18.2 .....	13
2066.0527	Hose clamp ø14mm .....	11, 15, 35
2066.0530	Hose clamp ø16.4mm .....	15
2066.0526	Hose clamp ø46mm .....	13
22.00.525	Hose set f. humidity control .....	11
50.00.548	Hose ø10x2x500 f. hand shower .....	35
2070.0054	HT pipe, DN 50, 250 mm .....	33
22.00.725	Humidity control cpl. ....	11
24.00.212	Inner glass pane .....	27
22.00.908	Inner humidity meas. Piece .....	11
54.01.254	Inspection lid, quenching nozzle, B2 .....	35
40.03.947	Installation rail for Contactor .....	9
40.04.047	Interface cable USB 1.6m .....	31
20.01.755	Isolation for mounting plate for motor .....	19
2062.0331	Junction pressure hose GS 10 .....	15
2760.1370	Latch hook for air baffle .....	23
2920.1300	Level elektrode insert .....	13
50.00.086	Locking plate f. water distribution .....	35
40.03.413	Mating flange f. heating assembly .....	17
40.04.041	Meat probe sensor .....	21
4007.0620	Membrane DGC 29 .....	9
4007.0621	Membrane DGC 36 .....	9
60.22.086V	Mobile oven rack type 202 .....	41
22.00.083	Motor shaft gasket .....	19
50.00.278	Mounting device f. hand sh. roll guide .....	35
22.00.882	Mounting device f. pressure sensor .....	11
50.01.543	Mounting device f. water distribution .....	35
40.03.393	Mounting device heat sink SSR .....	7

# Combi Master 202 - 20 x 2/1 GastronormE

## E22MH1112

---

## Index

Part-no.	Description	Page
22.00.722	Mounting support f. gasket flange .....	19
40.03.524	Mounting support for fuse holder .....	9
40.03.759	Mounting support transformer .....	9
50.00.078	Non return valve DW16/DN12 .....	35
12.01.142	NSF housing floor units 201-202 .....	29
12.01.154	NSF housing left floor units 201-202 .....	33
12.01.153	NSF housing right floor units 201-202 .....	33
22.00.837	O-ring for humidity control .....	11
16.01.965	Opening mechanism for panel insert .....	29
1008.0768	Ornamental screw M8x16 .....	25
1008.0769	Ornamental screw M8x30 .....	25
22.00.850	Outer humidity meas. Piece .....	11
54.01.117	Outlet sieve .....	21
10.00.507	Pan head screw Torx 5/16" T20 .....	7
10.00.365	Pan head screw Torx M3x20 .....	9
10.00.061	Pan head screw Torx T20 M4x12 .....	7, 9
10.00.564	Pan head screw Torx T20 M4x45 .....	7
24.01.259	Plastic buffer 8,1mm for door .....	27
50.00.085	Plug-in spring f. hand shower roll guide .....	35
40.00.464	Potentiometer CT .....	5
24.00.178	Pre heat mechanism f. door cpl. ....	27
2067.0050	Pressure hose d10mm .....	35
3017.1011	Pressure sensor for humidity control Huba 401 .....	11
2005.0106	Protective grid for cooling fan .....	7
2118.1000	Pump connection spout .....	15
8354.1320	Pump connection spout cpl. ....	13
10.00.066	Raised countersunk head screw Torx T20 M4x16 .....	9
40.00.098	Reflector f. interior light .....	21
10.00.515	Rivet 3,2x5 A4 .....	23
1603.0166	Rivet 3,2x7,9 CNS closed .....	31, 39
1604.0167	Rivet 4x10 .....	23
10.00.041	Rivet nut M5 hexagon closed .....	27

# Combi Master 202 - 20 x 2/1 GastronormE

## E22MH1112

---

## Index

Part-no.	Description	Page
40.01.482	Safety temperature limiter 365°C .....	9, 21
40.01.317	Screen core temperature sensor .....	21
40.03.782	Screen interior cabinet sensor .....	21
4001.1235	Screw cap e neozed 63A .....	9
10.00.991	Sealing cap .....	37
16.01.908	Sealing f. panel insert .....	5
16.00.139	Side panel left .....	31
16.00.158	Side panel right .....	31
2110.1008	Silicon hose ø10x2mm .....	15
50.01.147	Single solenoid valve .....	35
50.01.146	Single solenoid valve .....	35
24.00.147	Sleeve for door bolt top .....	27
1104.0820	Snap nut 4,2mm .....	31
40.00.453	Solid state relais .....	7
10.01.049	Square necked mushroom head bolt 6x30 .....	19
1107.0103	Star lock ø3 .....	17
1107.0100	Star lock ø4 .....	31
44.00.947	Steam generator insolated .....	13
44.00.362	Steam hose 70x5 .....	13
10.01.195	Sticker set .....	41
2120.1259	Stop plug 10mm .....	15
22.00.491	Surge guard for Meat probe sensor .....	23
8664.1301	T-fitting water connection .....	35
40.01.611	Terminal block grey WKN 70/U .....	9
40.01.609	Terminal block grey WKN 150/U .....	9
40.00.399	Thermocouple humidity .....	21
40.03.528	Thermocouple interior cabinet B1 .....	21
40.04.107	Thermocouple steam generator *B5* .....	13
4005.0101	Tie rap 145 mm .....	15
1204.0120	Tooth lock washer A4,3 .....	7
1206.0120	Tooth lock washer A6,4 .....	29
16.02.167	Top cover .....	31



# Combi Master 202 - 20 x 2/1 GastronormE

## E22MH1112

---

## Index

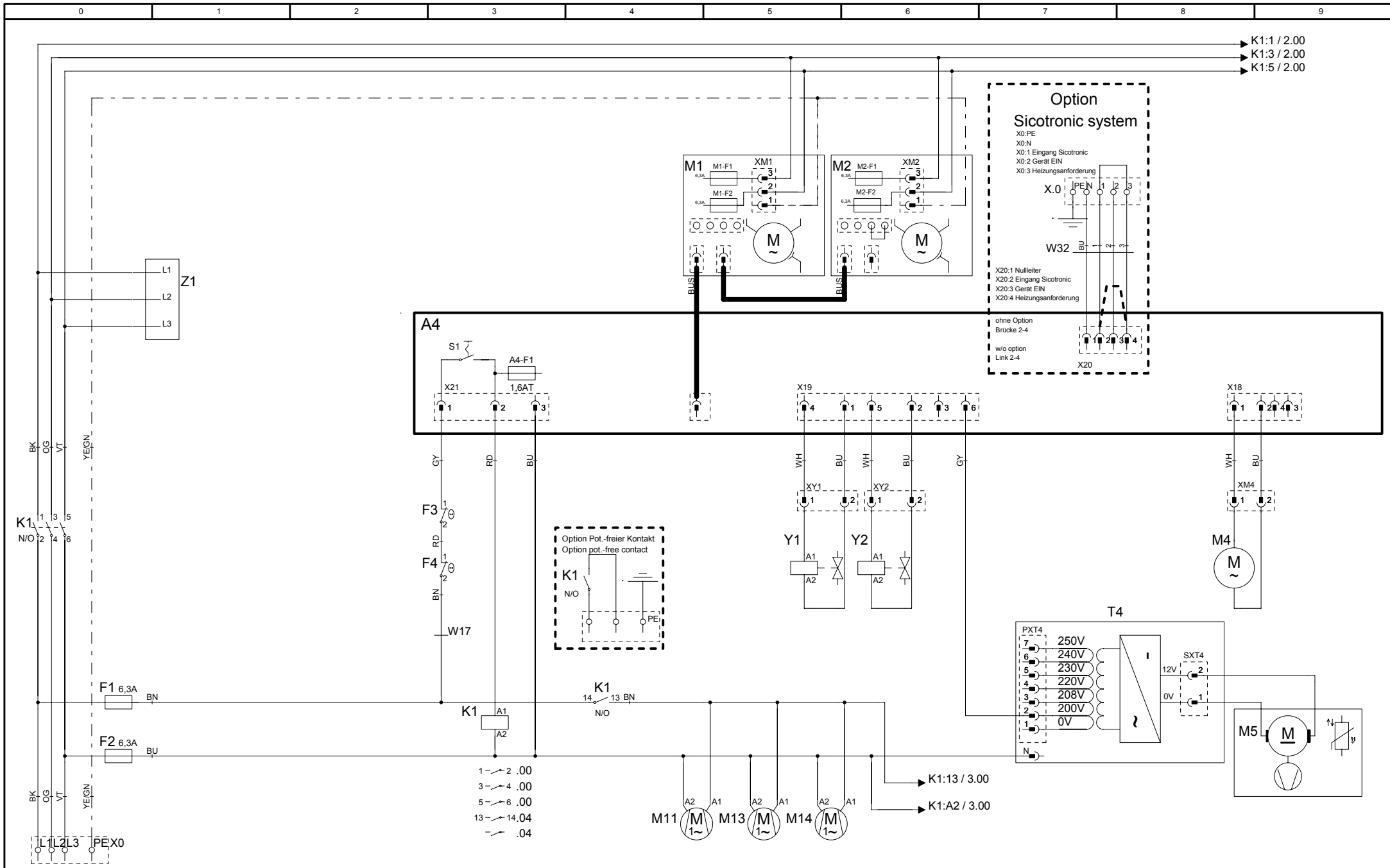
<b>Part-no.</b>	<b>Description</b>	<b>Page</b>
40.03.984	Transformer f. cooling fan .....	7
16.01.941	Tulip for handshower with gasket .....	31
40.02.425	Varistor .....	9
22.00.767	Vent cover .....	11, 29
54.00.984	Ventilation pipe .....	35
8354.1304	Venting valve for steam generator .....	35
10.00.744	Washer A4,3 *A4 .....	9, 23
1305.0160	Washer A5,3x10mm .....	25
1306.0222	Washer A6,4x15x1,5 .....	13, 35
1308.0162	Washer A8,4 .....	19, 25
1308.0160	Washer A8,4 .....	35
50.00.072	Water distribution vert roll guide con. ....	35
50.00.073	Water distribution vert w/o roll guide con. ....	35
1900.0202	Water filter .....	35
40.03.532	Wiring interior light .....	21



## Deckblatt Elektrische Dokumentation, Cover sheet electrical Documentation

Die Elektrische Dokumentation besteht aus: 1. diesem Deckblatt, 2. dem Schaltplan und 3. der Legende der elektrischen Bauteile  
The electric documentation contains: 1. this cover sheet, 2. the wiring diagram and 3. the bill of material (BOM)

<b>Deckblatt-Nr.</b> <b>Front Page No.</b>	75-21438	<b>Version</b>	0
<b>Typ / Type</b>	CMP 202E		
<b>Schaltplan</b> <b>Wiring diagram</b>	76-00617	<b>Version</b>	0
<b>Spannung (SPL)</b> <b>Voltage</b>	3AC200 V 50/60 Hz		
<b>Legende</b> <b>Legend electr. components</b>	78-01000	<b>Version</b>	0
<b>Geräteserialnr.</b> <b>Serial number</b>	E22MH1102	<b>Version</b>	1102
<b>Erstellt am</b> <b>Created at</b>	Sep 13, 2011 4:27 PM	<b>Ersteller</b> <b>Creator</b>	SCHD
<b>Gültig ab</b> <b>Valid from</b>	Sep 13, 2011 4:24 PM	<b>Änderung</b> <b>Modification</b>	

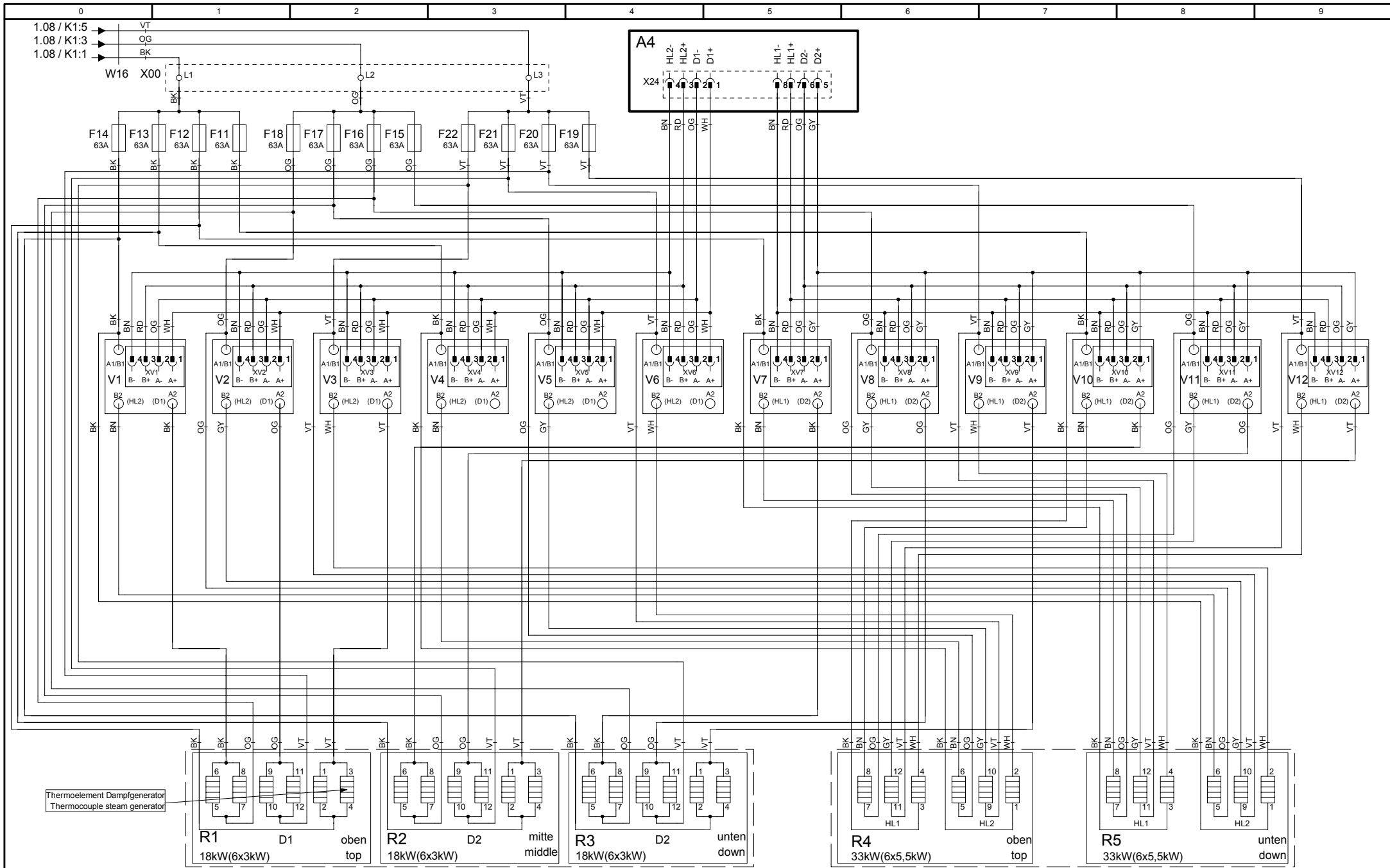


76-00617  
Version 0

**MODUL 1**  
Leistung/Power

**CMP 202E**  
3AC200 V 50/60 Hz

Erstellt von SCHD  
Created by  
Datum 06.10.2011  
Date  
Blatt 1  
Page



Thermoelement Dampfgenerator  
Thermocouple steam generator

R1 18kW(6x3kW) D1 oben top

R2 18kW(6x3kW) D2 mitte middle

R3 18kW(6x3kW) D2 unten down

R4 33kW(6x5,5kW) oben top

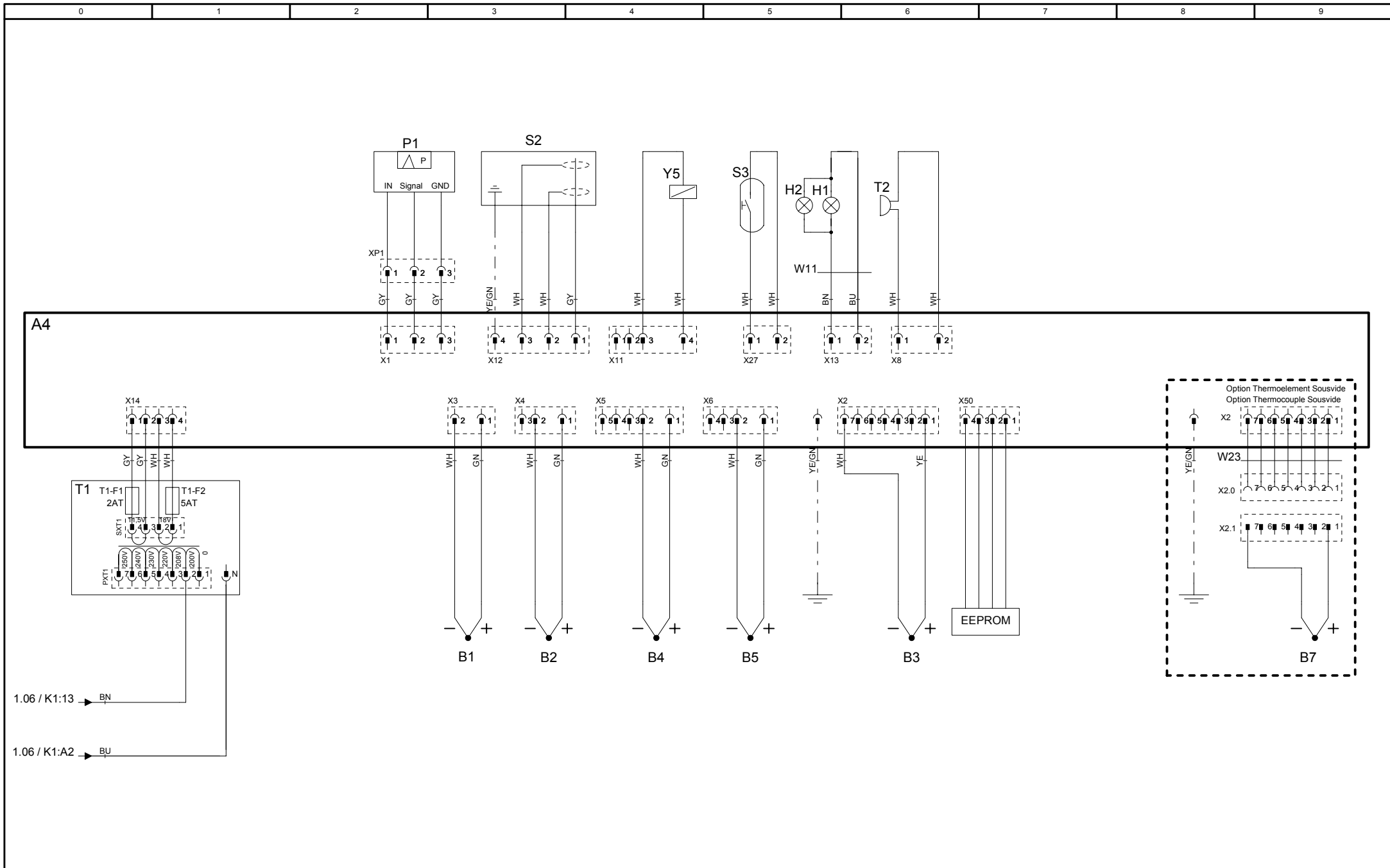
R5 33kW(6x5,5kW) unten down

76-00617  
Version 0

MODUL 2  
Heizung/Heating

CMP 202E  
3AC200 V 50/60 Hz

Erstellt von SCHD  
Created by  
Datum 06.10.2011  
Date  
Blatt 2  
Page



## Positionsliste

### Bill of material

Name Name	Artikelnr. Item number	Artikelbezeichnung	Item description	Module Modul
-A4	42.00.161	Bedienplatine CMP	Operator PCB CMP	Modul 1
-A4-F1	3019.0125	Sicherung 1,6AT	Fuse 1,6AT	Modul 1
-B1	40.03.528	Thermoelement Garraum	Thermocouple interior cabinet	Modul 3
-B2	54.01.254	Thermoelement Ablöschung	Thermocouple quenching	Modul 3
-B3	40.04.041	Thermoelement Kerntemperatur	Thermocouple core sensor	Modul 3
-B4	40.00.399	Thermoelement Feuchte	Thermocouple humidity	Modul 3
-B5	40.04.107	Thermoelement Dampfgenerator	Thermocouple steam generator	Modul 3
-F1/F2	4001.0224	Steuersicherung	Control fuse	Modul 1
-F11-F22	3019.0405	Sicherung Heizkörper J/USA 202	Fuse heating element J/USA 202	Modul 2
-F3	40.01.329	Sicherheitstemperaturbegrenzer Gas:157°C/314° F Elek.:183°C/360°F	Safety thermostat steam generator Gas: 157°C/ 314°F Elec.: 183°C/360°F	Modul 1
-F4	40.01.482	Sicherheitstemperaturbegrenzer 360°C/680°F	Safety thermostat interior cabinet 360°C/680°F	Modul 1
-H1	3024.0201	Garraumbeleuchtung	Interior cabinet light	Modul 3
-H2	3024.0201	Garraumbeleuchtung	Interior cabinet light	Modul 3
-K1	40.04.008	Hauptschütz	Main contactor	Modul 1
-M1	40.03.513	Lüftermotor	Fan motor	Modul 1
-M11	40.03.425	Kühllüfter	Cooling fan	Modul 1
-M13	40.03.425	Kühllüfter	Cooling fan	Modul 1
-M14	40.03.425	Kühllüfter	Cooling fan	Modul 1
-M2	40.03.513	Lüftermotor 201/202 (unten)	Fan motor 201/202 (bottom)	Modul 1
-M4	44.00.207	SC-Pumpe	SC-pump	Modul 1
-M5	40.03.985	Kühllüfter	Cooling fan	Modul 1
-P1	3017.1011	Differenzdrucksensor	Differential pressure sensor	Modul 3

Änderungsdatum	<b>13.09.2011</b>	Name	<b>CMP 202E</b>	Dokument-Nr.	<b>78-01000</b>
Erzeuger	<b>SCHD</b>	Spannung	<b>3AC200 V 50/60 Hz</b>	Version	<b>0</b>

**Positionsliste****Bill of material**

<b>Name Name</b>	<b>Artikelnr. Item number</b>	<b>Artikelbezeichnung</b>	<b>Item description</b>	<b>Module Modul</b>
-R1	44.01.350	Dampfheizkörper	Heating element steam	Modul 2
-R2	44.01.350	Dampfheizkörper	Heating element steam	Modul 2
-R3	44.01.350	Dampfheizkörper	Heating element steam	Modul 2
-R4	40.03.658	Heißluftheizkörper	Heating element hot air	Modul 2
-R5	40.03.658	Heißluftheizkörper	Heating element hot air	Modul 2
-S2	44.01.408	Niveauelektrode	Water level electrode	Modul 3
-S3	40.00.454	Türkontaktschalter	Door contact switch	Modul 3
-S7	40.00.464	Potentiometer Zeit / Kerntemperatur	Time / Core potentiometer	Modul 3
-T1	40.03.348	Steuertrafo	Control transformer	Modul 3
-T1-F1	3019.0120	Sicherung Steuertrafo T1 2AT	Fuse control transformer T1 2AT	Modul 3
-T1-F2	3019.0126	Sicherung Steuertrafo T1 5AT	Fuse control transformer T1 5AT	Modul 3
-T2	40.04.048	SCC WE: Lautsprecher / CMP: Alarmsummer	SCC WE: Speaker / CMP: Buzzer	Modul 3
-T4	40.03.984	Trafo Kühllüfter 201/202	Transformer cooling fan 201/202	Modul 1
-V1-V12	40.00.453	Leistungshalbleiter	Solid state relais	Modul 2
-W11	40.03.532	Kabel: Garraumbeleuchtung	Cable: interior cabinet light	Modul 3
-W16	40.03.487	Kabel: Klemmen/Hauptschütz/SSR	Cable: terminal/main contactor/SSR	Modul 2
-W17	40.03.816	Kabel: Steuerstamm	Cable: control harness	Modul 1
-Y1	50.01.147	Magnetventil Füllen	Solenoid valve filling	Modul 1
-Y2	50.01.146	Magnetventil Ablöschung	Solenoid valve quenching	Modul 1
-Y5	22.00.725	Klimaventil	Clima valve	Modul 3
-Z1	40.02.425	Entstörfilter/Varistor	Electronic noise filter	Modul 1

Änderungsdatum	<b>13.09.2011</b>	Name	<b>CMP 202E</b>	Dokument-Nr.	<b>78-01000</b>
Erzeuger	<b>SCHD</b>	Spannung	<b>3AC200 V 50/60 Hz</b>	Version	<b>0</b>