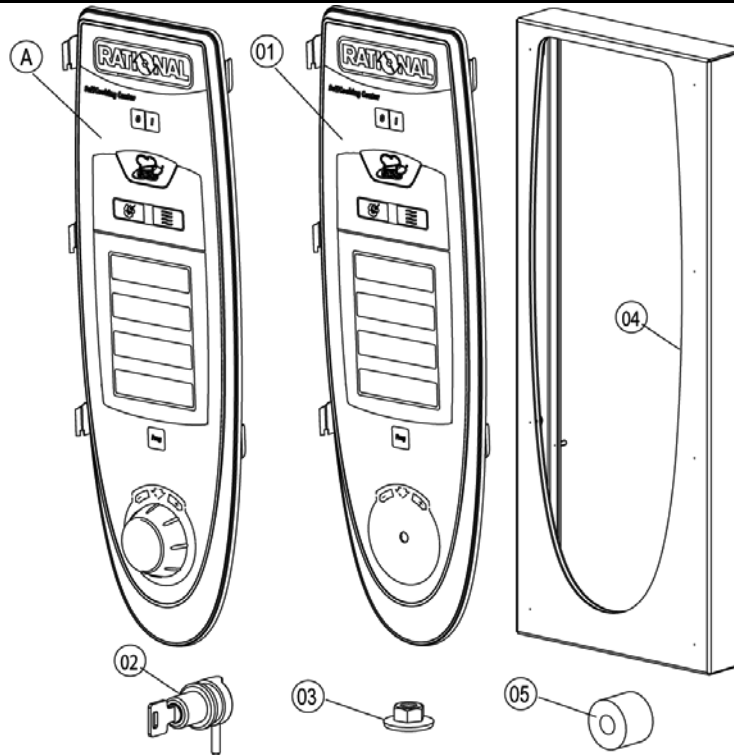


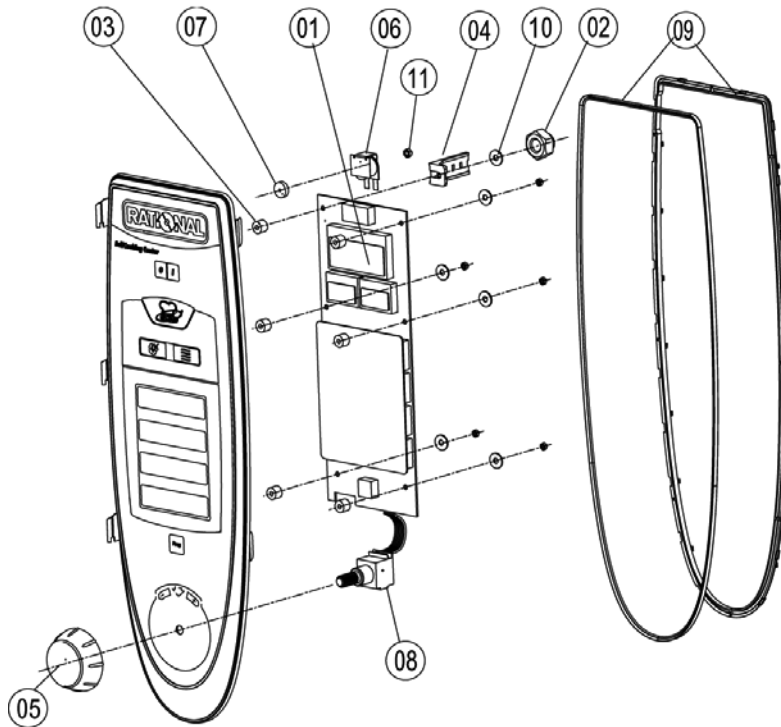
Item no.	Part no	Reference	Description
1		►1	Control panel
2		►2	Electrical installation
3		►3	Clima Plus
4		►4	Steam generator, Bypass
5		►5	Hot air heating
6		►6	Motor and fan wheel
7		►7	Interior cabinet
8		►8	Door
9		►9	Water supply, quenching box
10		►10	Hand shower
11		►11	CleanJet
12		►12	Gas parts
13		►13	Exterior cabinet
14		►14	Miscellaneous

---

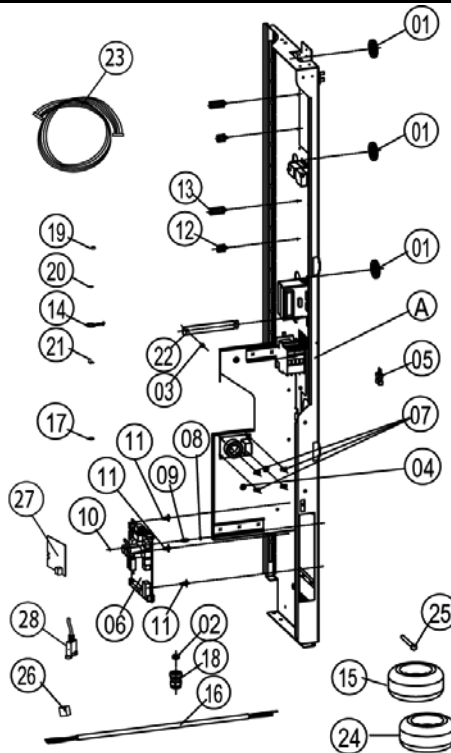
1	Control panel .....	3
1.A	Control panel.....	4
2	Electrical installation .....	5
2.A	Contactor assembly .....	6
3	Clima Plus.....	8
3.A	Hose set f. humidity control .....	9
4	Steam generator, Bypass .....	10
4.A	Pump connection spout cpl. ....	12
4.B	Venting valve for steam generator .....	13
5	Hot air heating .....	14
5.A	Burner hot air .....	15
6	Motor and fan wheel .....	16
7	Interior cabinet .....	17
7.A	Interior cabinet .....	18
7.B	Gasket frame w. glass a. gaskets .....	19
7.C	Air baffle.....	20
7.C	Air baffle.....	21
7.C	Air baffle.....	22
8	Door .....	23
8.A	Door .....	25
8.C	Door catch.....	26
9	Water supply, quenching box.....	27
10	Hand shower.....	28
11	CleanJet.....	29
12	Gas parts .....	30
12.A	Gas valve cpl. ND 055 RG148 .....	32
12.B	Gas valve cpl. WND 055 RG130.....	33
13	Exterior cabinet.....	34
13.A	Exterior cabinet .....	35
14	Miscellaneous .....	36



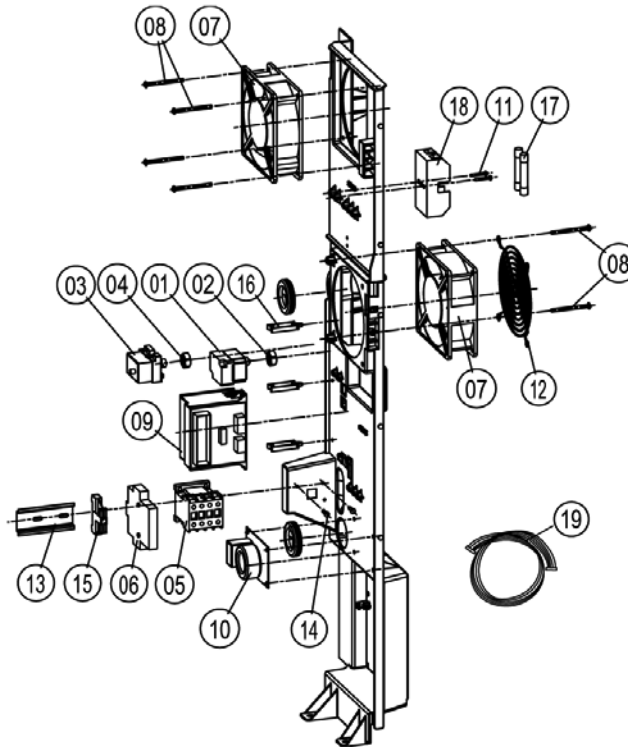
Item no.	Part no	Reference	Description
A		►1.A	Control panel
1	87.00.002		Control panel insert with overlay
5	2039.0326		Spacer for pcb



Item no.	Part no	Reference	Description
1	42.00.002		Control pcb
2	1104.0121		Hex nut M4 self locking
3	10.00.355		Spacer black
4	2020.0400		Fixing device for cable harness
5	16.00.232		Dial f. pulse generator
6	40.02.087		Buzzer
6	3006.0107		Buzzer
7	5110.1029		Gasket mode switch
7	5110.1028		Gasket poti hot air, core temperature
8	40.00.404		Pulse generator
9	16.00.387		Mounting device f.sealing + sealing lip
10	1306.0218		Washer A4,3
11	1103.0122		Hex nut M3 self-locking



Item no.	Part no	Reference	Description
A		►2.A	Contacteur assembly
1	4007.0620		Membrane DGC 29
2	10.00.510		Grommet 10/12/16-2
3	1106.0224		Hex nut M6 self locking
5	42.00.007		External memory
6	40.00.049		Relay-I/O pcb
6	42.00.045		Relay-I/O pcb w/o Sicotronic
7	40.00.417		Fixing clip f. pcb
8	1104.0801		Cage nut M4
9	10.00.243		Spacer M4x8
10	1104.0120		Hex nut M4
11	40.01.579		Fixing clip f. pcb
12	10.00.112		Cable clip short
13	10.00.111		Cable clip long
14	10.00.471		Cable clip d10-12mm
16	40.01.597		Power supply cable 3xAWG14
18	40.00.320		Cable connection M20x1.5
19	1106.0160		Hex nut M6
20	1206.0120		Tooth lock washer A6,4
21	4002.0110		Cable connector, junction
22	40.01.132		Center fixation f. contactor assembly
23	40.01.091		Bus cable 0.4m
23	40.00.471		Bus cable 0.8m
23	40.00.472		Bus cable 1.3m
24	40.00.281		Power transformer
25	10.00.445		Hex screw M8x80
26	40.01.600		Insulating screw joint 2pol.



Item no.	Part no	Reference	Description
1	3014.0328		Dry up protector 275°F/135°C
2	3014.0302		Hex nut M10 for dry-up protector
3	40.01.482		Safety temperature limiter 365°C
4	3014.0327		Hex nut M10x1,0
5	40.00.451		Contactor MC1A 310 AH6
7	40.00.474		Cooling fan D.C.
8	10.00.238		Screw Torx 4x50
9	40.00.277		Control transformer
10	40.01.483		Electronic noise filter
11	40.00.592		Transformer f. cooling fan
12	1105.0120		Hex nut M5
13	1305.0160		Washer A5,3x10mm
14	40.01.272		Plug positioning bar I/O pcb
15	4001.1203		End plate for mounting rail
16	2620.370233		Installation rail for Contactor 100mm
16	2620.380129		Installation rail for Contactor 130mm
16	2816.1307		Installation rail for Contactor 140mm
17	10.00.061		Pan head screw Torx T20 M4x12
18	10.00.111		Cable clip long
19	40.01.588		Fuse SC-8A 10x38
20	40.01.487		Fuse holder 2pol
21	10.00.364		Pan head screw Torx M3x12
22	40.00.221		Cable burner blower
22	40.01.485		Cable burner blower
22	40.00.209		Cable buzzer
22	40.01.541		Cable CDS sensor
22	40.01.301		Cable control harness
22	40.00.225		Cable control transformer sec.
22	40.01.543		Cable control transformer sec.
22	40.00.238		Cable differential pressure switch



## SCC 201G

Valid as of **G21SE0404** up to **G21SE....**

Gas unit

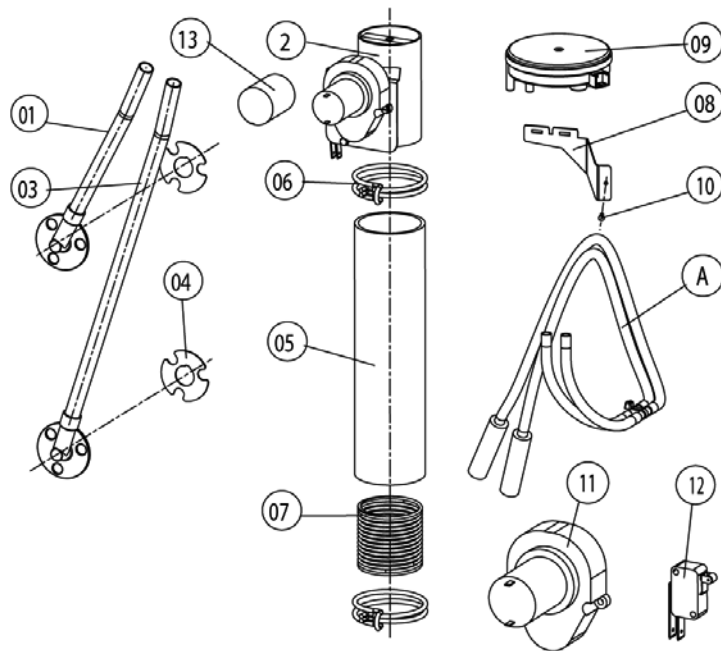
### ▶ 2.A Contactor assembly

2

2 Electrical installation

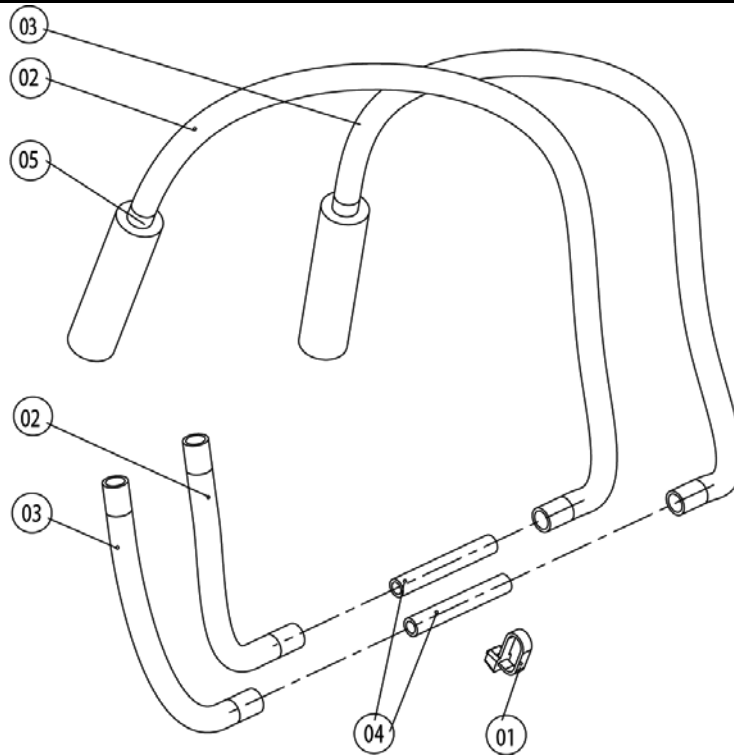
Voltage 1 NAC 120V 60Hz

Item no.	Part no	Reference	Description
22	40.00.230		Cable gas valve
22	40.00.249		Cable harness isolating transformer
22	40.00.208		Cable humidity control
22	40.01.542		Cable level electrode
22	40.00.226		Cable SC pump
22	40.00.203		Cable solenoid valve
22	40.00.237		Ground wire

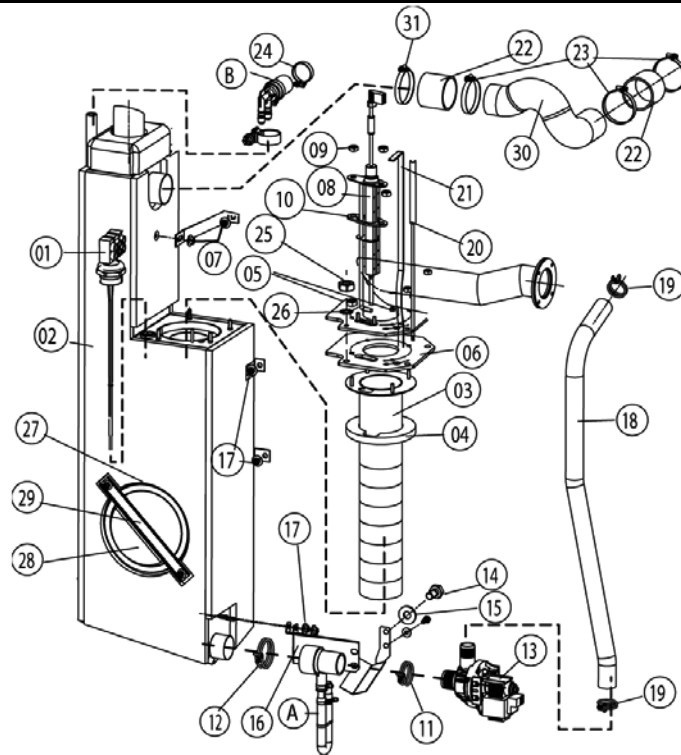


Item no.	Part no	Reference	Description
A	22.00.256	►3.A	Hose set f. humidity control
1	22.00.199		Inner humidity meas. Piece
2	22.00.318		Humidity control cpl. with motor
3	22.00.200		Outer humidity meas. Piece
4	22.00.198		Gasket f. hum. meas. Pipe
5	22.00.214		Hose d50x202
6	2066.0531		Hose clamp ø56
7	2001.0124		Compression spring
9	3017.1011		Pressure sensor for humidity control Huba 401
11	3101.1010		Humidity control motor
12	3016.0102		Micro switch
13	3101.1021		Protecting cap f. 12VDC humidity motor





Item no.	Part no	Reference	Description
1	4005.0101		Tie rap 145 mm
2	2110.1020		Silicon hose $\varnothing 5 \times 1.5$ blue
3	2110.1019		Silicone hose $\varnothing 5 \times 1,5$ "red"
4	1900.0203		Ceramic tube 8x5x60mm for
5	2112.1338		Silicone hose $\varnothing 8 \times 2 \times 20$



Item no.	Part no	Reference	Description
A	8354.1320	►4.A	Pump connection spout cpl.
B	8354.1304	►4.B	Venting valve for steam generator
1	44.00.514		Filling level electrode 175mm
2	44.00.186		Steam generator insolated
3	72.00.010		Burner steam gen.
4	72.00.048		Insulation f. burner steam gen.
5	1104.0122		Hex combination nut M4 galv
6	72.00.020		Gasket f. burner carrier
7	1105.0121		Hex combination nut M5 galv
8	44.00.249		Ignition electrode steam generator
9	1104.0120		Hex nut M4
10	44.00.250		Gasket f. ignition electrode
11	2066.0519		Hose clamp 35,6mm
12	2066.0526		Hose clamp ø46mm
13	44.00.207		Emptying pump
14	1006.0762		Hex screw M6x10
15	1306.0222		Washer A6,4x15x1,5
16	44.00.226		Fixing device f. pump steam generator
17	1106.0803		Hex combination nut M6 galv
18	44.00.231		Drain hose steam generator
18	44.00.238		Drain hose steam generator
19	2066.0518		Hose clamp 30mm
20	40.00.291		Thermocouple steam generator
20	40.00.292		Thermocouple steam generator
21	44.00.518		Fixing plate steam generator thermostat
22	2112.1006		Steam hose 50x7mm
23	2066.0504		Hose clamp 40-60mm
24	2066.0506		Hose clamp 20-32mm
25	1105.0120		Hex nut M5
26	1205.0120		Tooth lock washer A5,3



## SCC 201G

Valid as of **G21SE0404** up to **G21SE....**

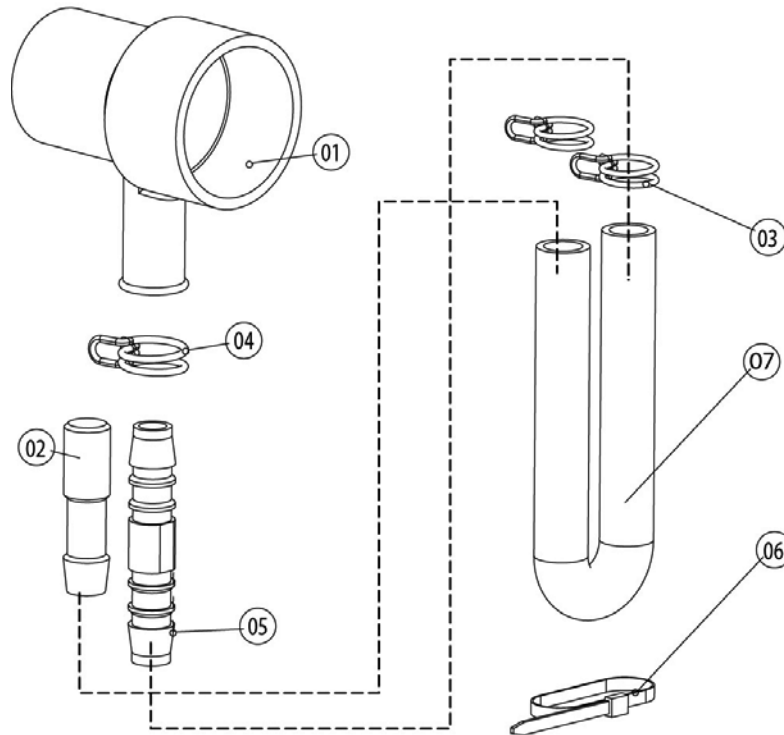
Gas unit

### ▶ 4 Steam generator, Bypass

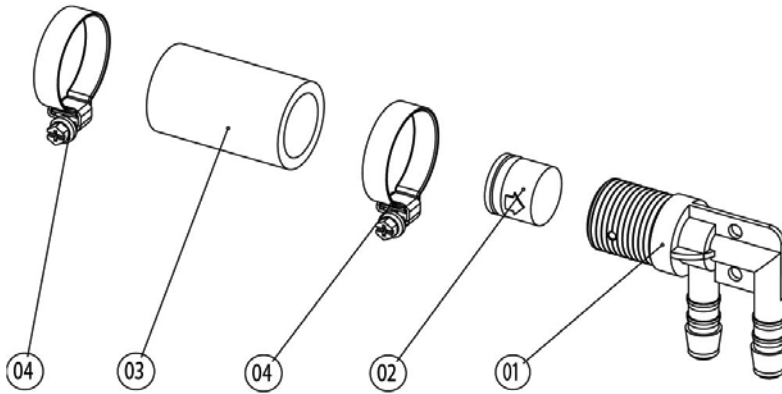
4

4 Steam generator, Bypass Voltage 1 NAC 120V 60Hz

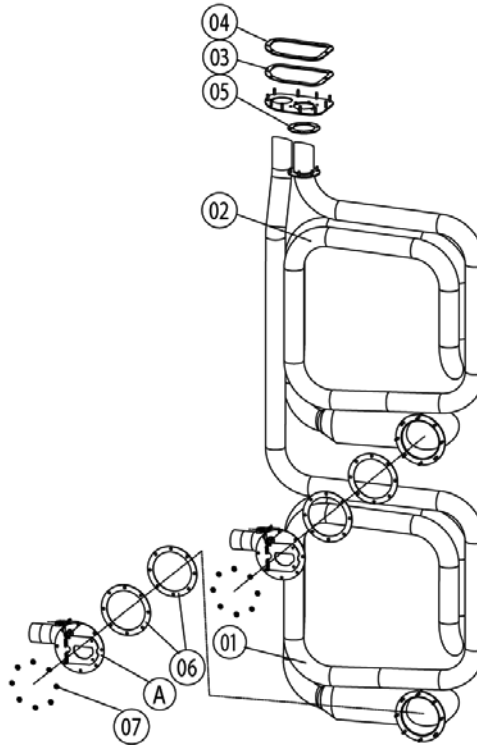
Item no.	Part no	Reference	Description
27	5012.0566		Gasket quenching chamber O-ring
28	44.00.263		Panel for revision hole steam generator
29	44.00.264		Clamping bar for panel revision hole
30	44.00.351		Steam pipe
31	2066.0300		Hose clamp 50-70 mm



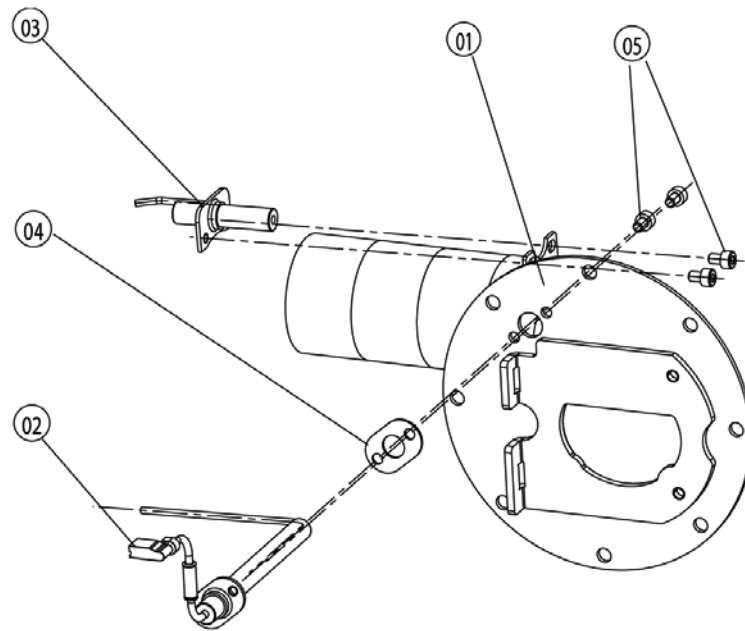
Item no.	Part no	Reference	Description
1	2118.1000		Pump connection spout
2	2120.1259		Stop plug 10mm
3	2066.0527		Hose clamp ø14mm
4	2066.0530		Hose clamp ø16.4mm
5	2062.0331		Junction pressure hose GS 10
6	4005.0101		Tie rap 145 mm



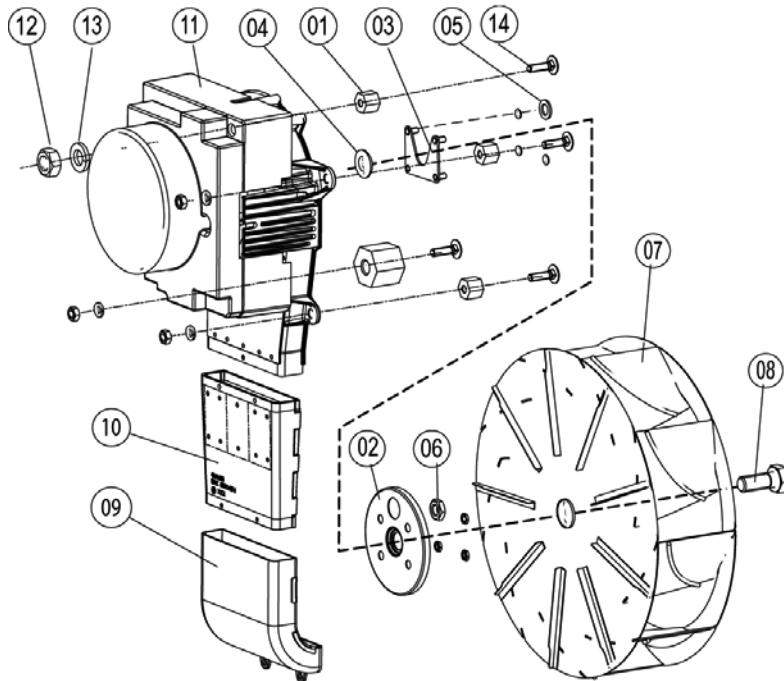
Item no.	Part no	Reference	Description
1	2062.0332		Receptacle for ventilation valve SG
2	2069.0108		Ventilation valve
3	2112.1310		Form hose for ventilation of steam generator
4	2066.0506		Hose clamp 20-32mm



Item no.	Part no	Reference	Description
A	74.00.222	►5.A	Burner hot air
1	74.00.170		Hot air heat exchanger below
2	74.00.175		Hot air heat exchanger top
3	74.00.234		Gasket hot air heat exchanger/interior cabinet
4	74.00.313		Mating flange heat exchanger
5	74.00.317		Gasket f. heat exchanger top
6	74.00.296		Gasket f. heat exchanger below
7	1105.0122		Hex combination nut M5 V2A

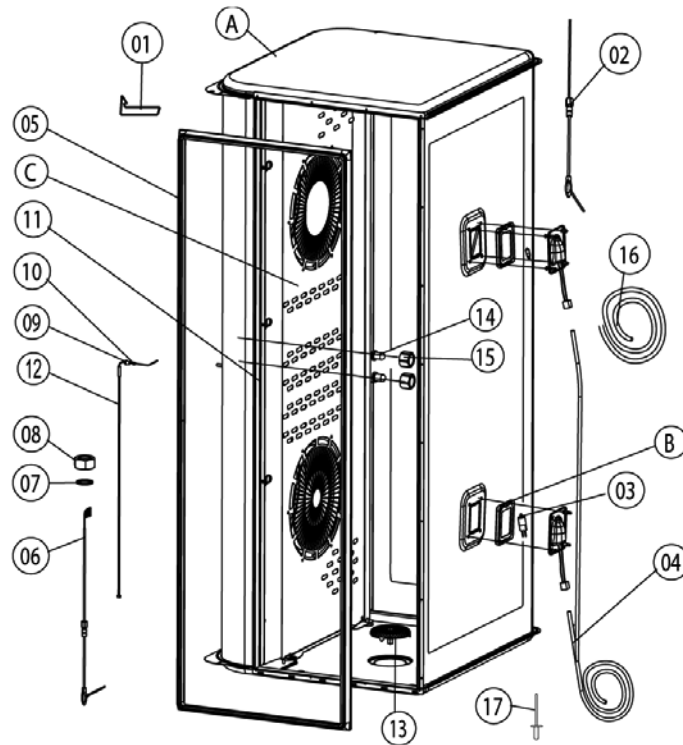


Item no.	Part no	Reference	Description
1	74.00.345		Burner welded hot air
2	74.00.230		Ignitionelectrode1 f. hot air
3	74.00.235		Ignitionelectrode2 f. hot air
4	74.00.290		Gasket electrode hot air
5	10.00.696		Allen screw M4x6 w. Precoat 85
5	10.00.060		Pan head screw Torx M4x6

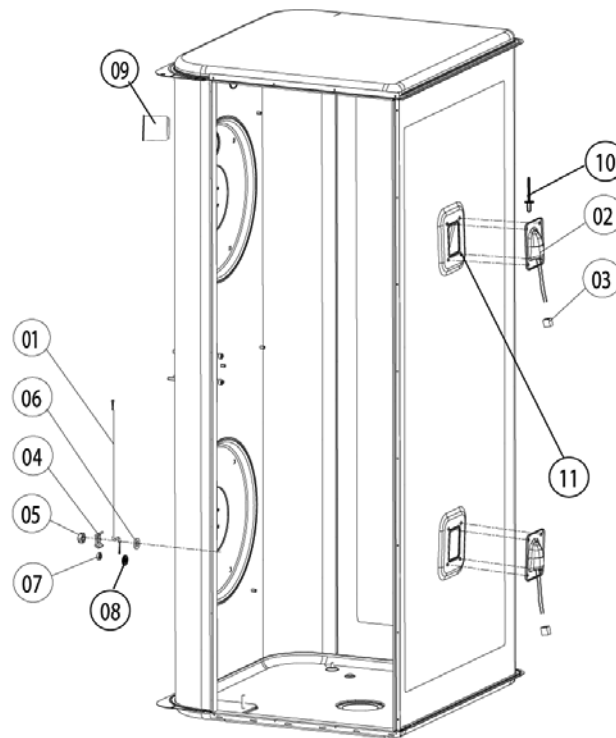


Item no.	Part no	Reference	Description
1	2120.1306		Spacer SW19x17
2	22.00.123		Flange f. motor shaft gasket
3	22.00.120		Mounting support f. gasket flange
4	22.00.083		Motor shaft gasket
5	1315.0101		Copper washer 6x10
6	1106.0220		Hex nut M6 flat
7	22.00.188		Fan wheel d340x110
8	10.00.565		Hex screw M8x20
8	1008.0763		Hex screw M8x20
11	40.00.274		Fan motor
12	1108.0260		Hex nut M8
12	10.00.071		Hex nut M8
12	10.00.710		Hex nut M8 w. locking
13	1208.0260		Spring washer B8
14	1008.1005		Square necked mushroom head bolt 8x40

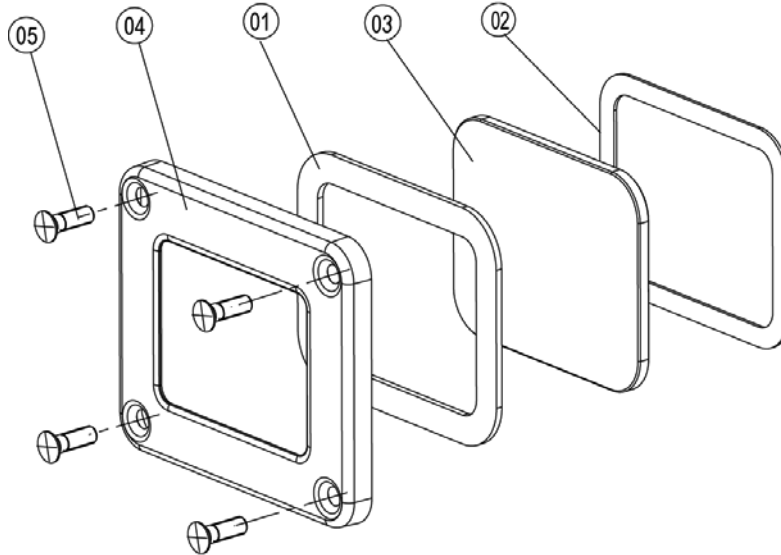




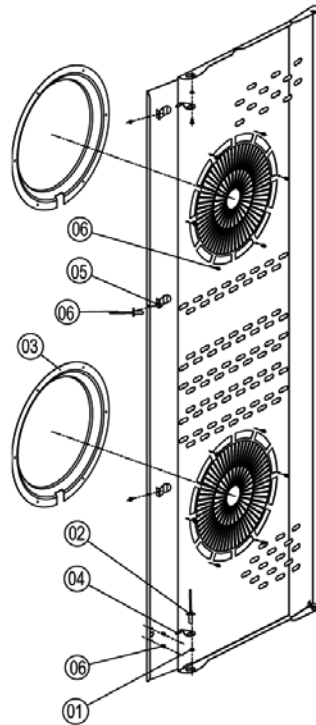
Item no.	Part no	Reference	Description
A		►7.A	Interior cabinet
B	40.00.091	►7.B	Gasket frame w. glass a. gaskets
C	22.00.297	►7.C	Air baffle
C	22.00.384	►7.C	Air baffle
C	22.00.412	►7.C	Air baffle
3	3024.0201		Halogen bulb for interior cabinet 300°C
4	40.00.224		Wiring interior light
5	20.00.398		Door gasket
6	40.00.295		Meat probe sensor
6	40.02.100		Meat probe sensor
7	1315.0104		Copper washer 16x20x1,5
8	10.00.422		Hex nut M16
9	3014.0162		Sealing cone for thermocouple
10	3014.0163		Gasket sleeve with nipple
11	22.00.220		Air baffle support
12	40.01.099		Thermocouple interior cabinet (B1)
13	2005.0308		Outlet sieve
14	50.00.395		Nozzle f. moistening
15	50.00.394		Union nut M12x12



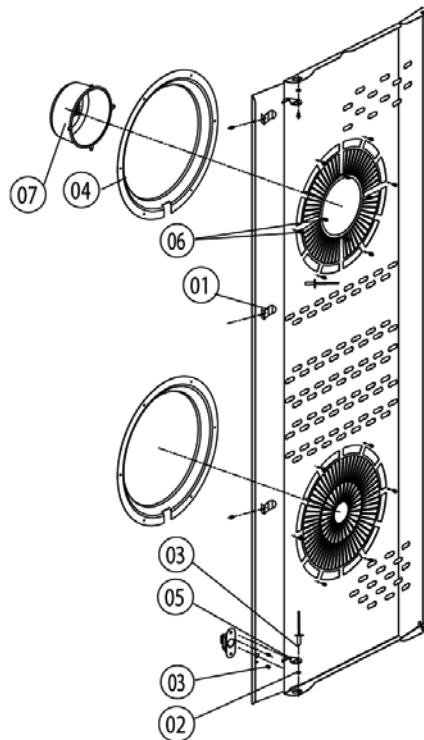
Item no.	Part no	Reference	Description
1	40.00.399		Thermocouple humidity
2	40.00.098		Reflector f. interior light
3	4001.1248		Porcelain connector 2-pin interior light
4	1330.0100		Clamp strap f. sensor
5	1106.0224		Hex nut M6 self locking
6	1306.0120		Washer A6,4
7	1104.0120		Hex nut M4
8	1204.0120		Tooth lock washer A4,3
9	2120.1277		Base for sensor connection
10	1603.0167		Tubular rivet 3,2x0.25x10
11	10.00.041		Rivet nut M5 hexagon closed



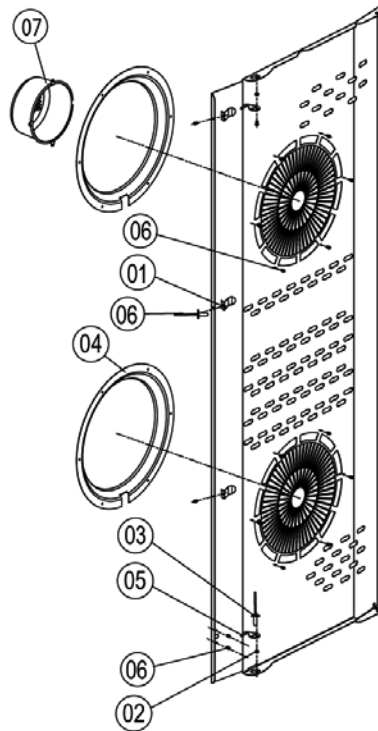
Item no.	Part no	Reference	Description
1	40.00.093		Outer gasket f. interior light
2	40.00.094		Inner gasket f. interior light
3	40.00.095		Glass pane f. interior light
4	40.00.096		Gasket frame f. interior light
5	10.00.682		Phillips countersunk-head screw M5x16



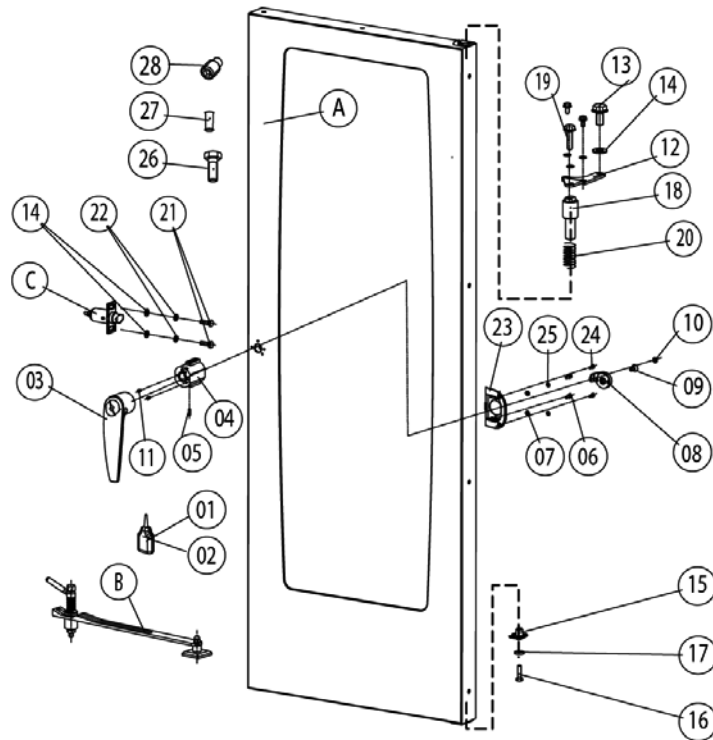
Item no.	Part no	Reference	Description
1	1304.0160		Washer A4,3
2	1604.0167		Rivet 4x10
3	22.00.332		Air sucking ring f. air baffle
4	2760.1370		Latch hook for air baffle
5	40.01.289		Fixing clip core temp. cable
6	10.00.515		Rivet 3,2x5 A4
6	1603.0168		Rivet 3,2x8 A4
6	1603.0168		Rivet 3,2x8 A4



Item no.	Part no	Reference	Description
1	40.01.289		Fixing clip core temp. cable
2	1304.0160		Washer A4,3
3	1604.0167		Rivet 4x10
4	22.00.332		Air sucking ring f. air baffle
5	2760.1370		Latch hook for air baffle
6	10.00.515		Rivet 3,2x5 A4
6	1603.0168		Rivet 3,2x8 A4
7	22.00.361		Deep-draw f. air baffle



Item no.	Part no	Reference	Description
1	40.01.289		Fixing clip core temp. cable
2	1306.0218		Washer A4,3
2	1304.0160		Washer A4,3
3	1604.0167		Rivet 4x10
4	22.00.332		Air sucking ring f. air baffle
5	2760.1370		Latch hook for air baffle
6	10.00.515		Rivet 3,2x5 A4
6	1603.0168		Rivet 3,2x8 A4
7	22.00.361		Deep-draw f. air baffle



Item no.	Part no	Reference	Description
A	24.00.121	►8.A	Door
C	8514.1307	►8.C	Door catch
1	2001.0042		Loctite 243 10 ml
2	2001.0046		Loctite 272
3	24.00.136		Door handle
4	8474.1410		Door lock
5	1005.1901		Straight pin ø5,6x16
6	1006.0761		Hex screw M6x12
6	10.00.698		Hex screw M6x12 w. precoat 85
7	1206.0261		Spring washer B6
8	2940.1305		Door bolt
9	1008.1963		Hex socket countersunk head screw M8x16
10	2039.0309		Cover cap for door
11	1004.0665		Allen screw M4x6
11	10.00.696		Allen screw M4x6 w. Precoat 85
12	24.00.133		Door mounting support top
13	1008.0768		Ornamental screw M8x16
14	1308.0160		Washer A8,4
15	24.00.145		Door bolt
16	1008.0766		Hex screw M8x30
17	1308.0162		Washer A8,4
18	24.00.048		Door bolt
19	1008.0769		Ornamental screw M8x30
20	2001.0109		Compression spring
21	1008.0761		Hex screw M8x25
22	1208.0260		Spring washer B8
23	24.00.216		Mounting bracket f. door lock
24	1008.0752		Hex screw M5x10
24	10.00.697		Hex screw M5x10 w. precoat 85
25	1305.0160		Washer A5,3x10mm



# SCC 201G

Valid as of **G21SE0404** up to **G21SE....**

Gas unit

▶ **8 Door**

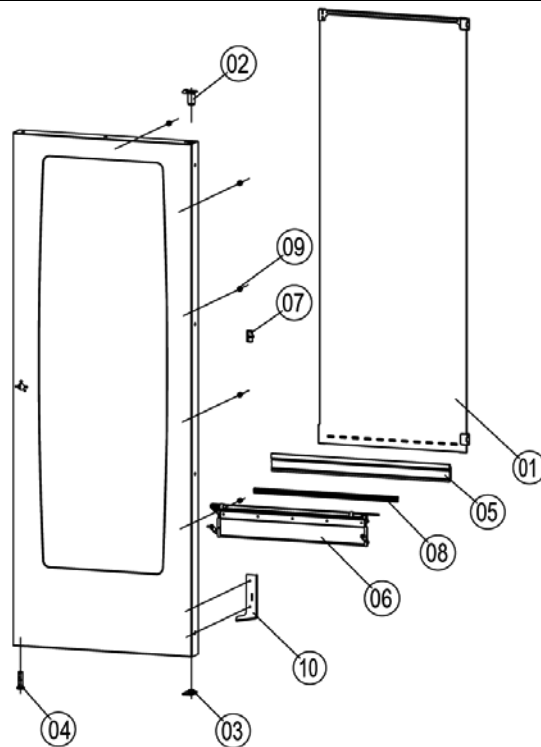
**8**

8 Door

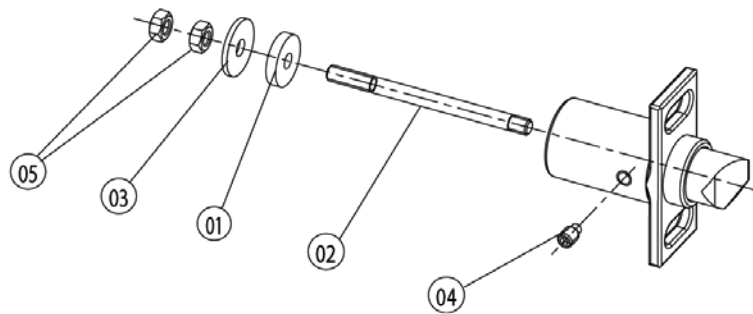
Voltage **1 NAC 120V 60Hz**

Item no.	Part no	Reference	Description
26	10.00.099		Hex screw M8x12
27	1005.1903		Straight pin ø5,6x12
28	1004.0906		Hex socket set screw M4x8

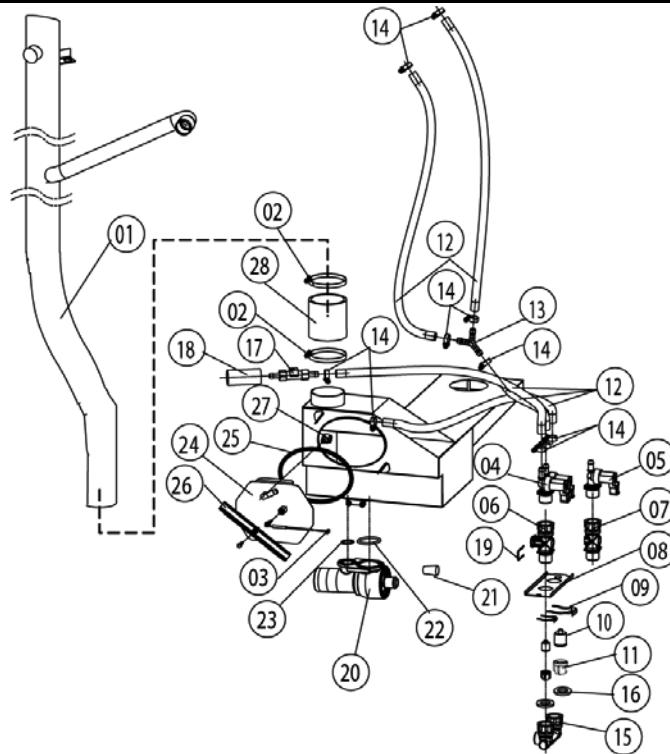




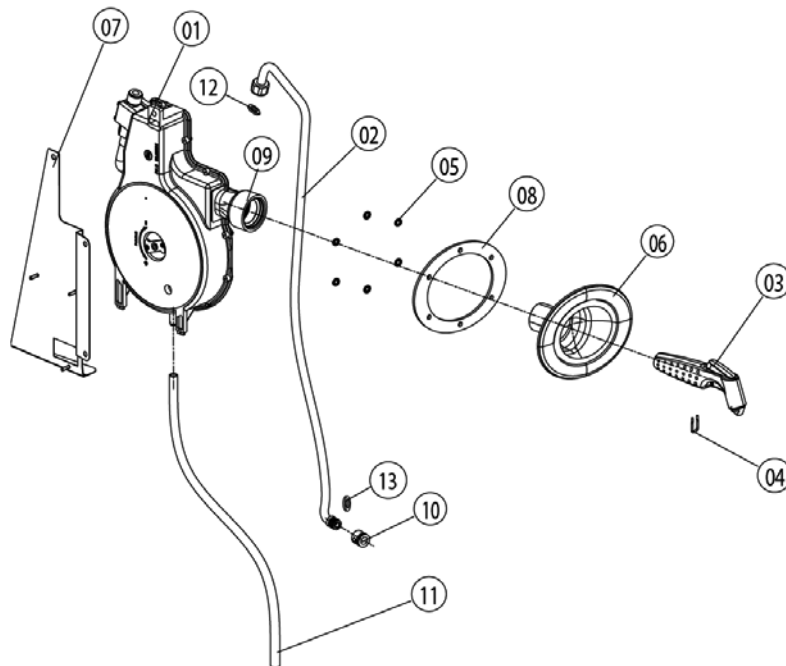
Item no.	Part no	Reference	Description
1	24.00.210		Inner glass pane
2	24.00.147		Sleeve for door bolt top
3	24.00.159		Door setting bolt
4	24.00.503		Fixing device f. magnet with magnet
5	24.00.187		Gasket glass pane/trolley
6	24.00.177		Pre heat mechanism f. door cpl.
7	24.00.507		Fixing device middle f.inter. glass pane
8	24.00.700		Additional gasket f. trolley
9	24.01.259		Plastic buffer 8,1mm
10	24.01.234		Bracket right f. door floor model



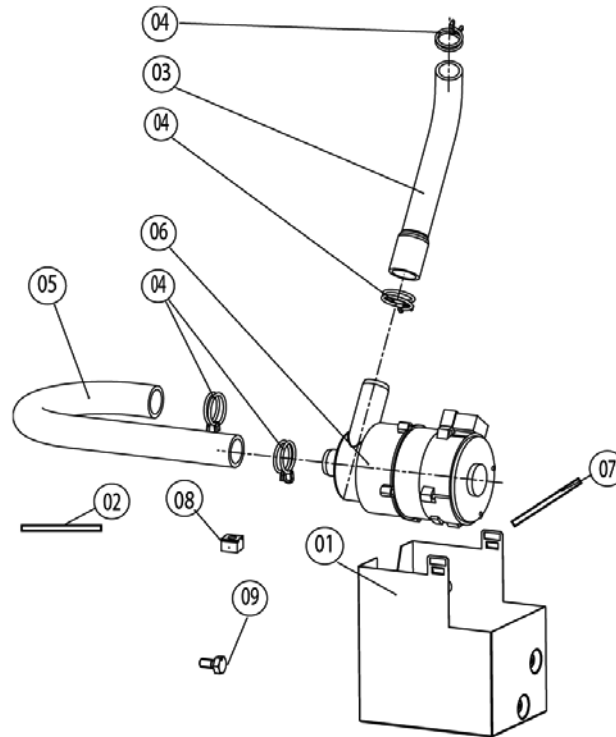
Item no.	Part no	Reference	Description
1	5012.0711		Silicone plate for door
2	1006.1000		Stud bolt M6x75
3	1306.0550		Washer A6,6
4	1004.0904		Hex socket set screw M6x10
5	1106.0160		Hex nut M6
6	2001.0119		Compression spring f. door catch
7	1006.0625		Allen screw M6x70



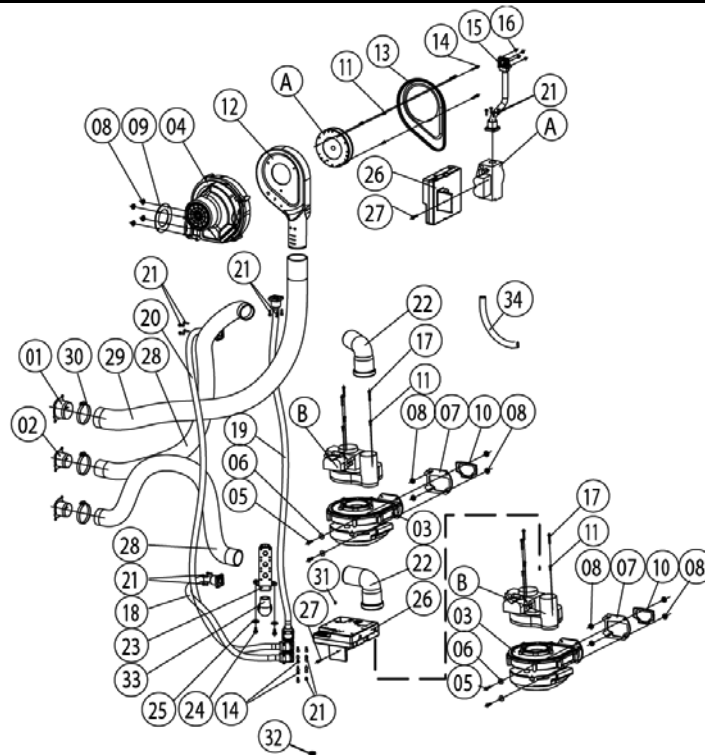
Item no.	Part no	Reference	Description
1	54.00.208		Exhaust pipe
2	2066.0516		Hose clamp 60-80 mm
3	40.00.398		Thermocouple quenching
4	50.00.138		Double solenoid valve
5	50.00.139		Single solenoid valve
6	50.00.072		Water distribution vert roll guide con.
7	50.00.073		Water distribution vert w/o roll guide con.
8	50.00.275		Mounting device f. water distribution
9	50.00.086		Locking plate f. water distribution
10	50.00.078		Non return valve DW16/DN12
11	1900.0202		Water filter
12	2067.0050		Pressure hose d10mm
13	2062.0303		Y-filting YS10
14	2066.0205		Hose clamp 8-16x9 mm SW 7mm
15	8664.1301		T-fitting water connection
16	5110.1024		Gasket for G3/4" threaded joint
17	44.00.670		Water volume sensor with wire
18	2112.1346		Protecting hose ø28x2x70mm
19	50.00.085		Plug-in spring f. hand shower roll guide
20	54.00.357		Ball valve drain SCC cpl.
21	10.00.369		Plug cone shaped
22	10.00.511		O-ring for ball valve drain 46x3.5
23	10.00.512		O-ring for ball valve drain 26x3.5
24	54.00.237		Inspection lid f. quenching chamber
25	5012.0566		Gasket quenching chamber 0-ring
26	54.00.225		Clamping bar
27	2016.0943		Quenching nozzle
28	2112.1307		Hose 70x5mm



Item no.	Part no	Reference	Description
1	50.00.176		Hand shower roll guide
2	50.00.230		Connect. pipe f. hand shower roll guide
3	50.00.130		Hand shower
4	50.00.156		Clamp f. hand shower roll guide
5	1107.0100		Star lock ø4
6	50.00.135		Tulip for handshower
7	50.00.544		Mounting device f. hand sh. roll guide
8	50.00.290		Gasket f. tulip
9	50.00.297		Gasket f. tulip
10	2069.0107		Non return valve DN6 steam generator
11	50.00.548		Hose ø10x2x500 f. hand shower
12	50.00.537		Gasket f. connect.pipe hand shower roll guide
13	50.00.538		O-ring f. connect. pipe f. hand shower roll guide



Item no.	Part no	Reference	Description
1	12.00.245		Housing f. Cleaning pump
2	10.00.091		Rubber profile f. edge protection
3	56.00.175		Pressure hose f. cleaning
4	2066.0521		Hose clamp 27mm
5	56.00.176		Suction hose f. cleaning
6	56.00.178		Pump f. cleaning UP30
7	12.00.280		Fixing device pump housing
8	1106.0802		Cage nut M6
9	1006.0760		Hex screw M6x16



Item no.	Part no	Reference	Description
A	70.00.068	►12.A	Gas valve cpl. ND 055 RG148
B	70.00.029	►12.B	Gas valve cpl. WND 055 RG130
1	70.00.222		Air hose fixing device 50mm
2	70.00.221		Air hose fixing device 40mm
3	70.00.028		Blower for burner RG130
4	70.00.067		Blower for burner RG148
5	1008.0750		Hex screw M5x16
6	1305.0160		Washer A5,3x10mm
7	74.00.310		Flange f. burner blower RG130
8	1105.0122		Hex combination nut M5 V2A
9	70.00.242		Gasket f. steam gen blower RG148
10	74.00.301		Gasket f. blower burner
11	10.00.065		Countersunk screw Torx T20 M4x12
12	70.00.367		Premix chamber gas f. RG148
13	70.00.238		Premix chamber cover gas f. RG148
14	10.00.063		Pan head screw Torx T20 M4x25
15	70.00.246		Pipe gas valve-premix chamber
16	1104.0121		Hex nut M4 self locking
17	10.00.064		Pan head screw Torx T20 M4x30
18	70.00.139		Corrugated hose 490mm
19	70.00.201		Corrugated hose 970mm
20	70.00.142		Corrugated hose 1200mm
21	10.00.061		Pan head screw Torx T20 M4x12
22	70.00.301		Combustion air angle pipe hot air
23	74.00.309		Gas connection manifold 3x3/4"
24	1006.0762		Hex screw M6x10
25	1306.0222		Washer A6,4x15x1,5
26	74.00.221		Automatic ignition controller
27	10.00.062		Pan head screw Torx T20 M4x20
28	70.00.137		Air hose D40x900mm



## SCC 201G

Valid as of **G21SE0404** up to **G21SE....**

Gas unit

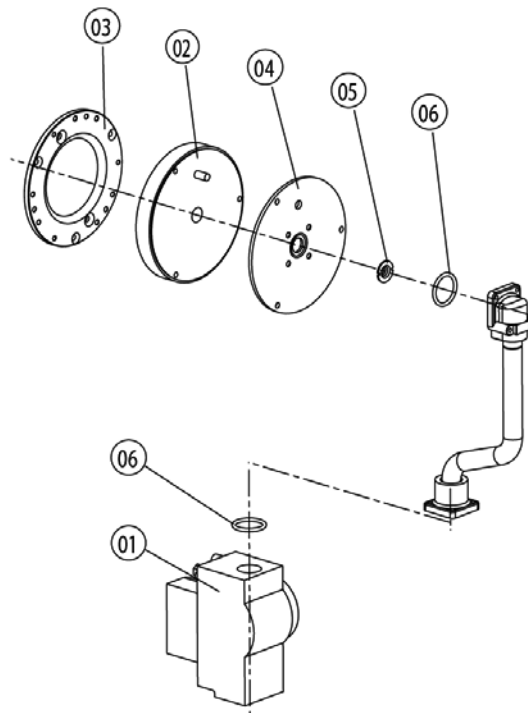
### ▶ 12 Gas parts

12

12 Gas parts

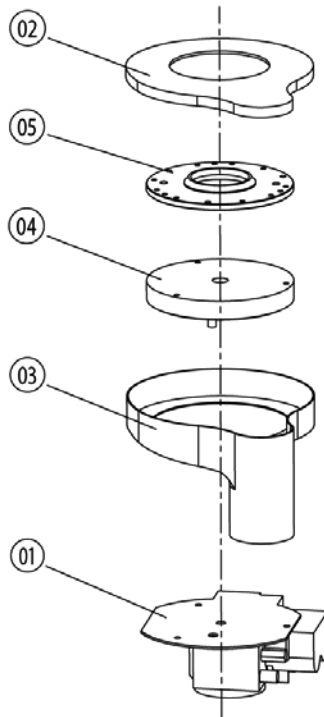
Voltage 1 NAC 120V 60Hz

Item no.	Part no	Reference	Description
29	70.00.135		Air hose D50x1100mm
30	2066.0504		Hose clamp 40-60mm
31	40.01.581		Jumper
32	1204.0120		Tooth lock washer A4,3
33	70.00.188		Hose fitting 3/4"-3/4"
34	70.00.280		Silicone hose ø4x1,5

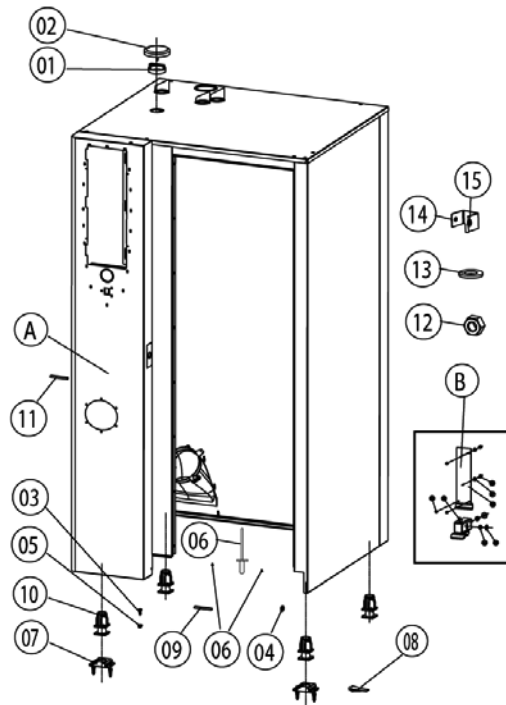


Item no.	Part no	Reference	Description
1	70.00.220		Gas valve GB 055 ND (straight)
2	70.00.106		Premix disc gas
3	70.00.208		Disc premix chamber-blower RG148
4	70.00.108		Disc gas valve-premix chamber
5	70.00.260		Gas nozzle 7mm
6	70.00.261		O-ring 17x1.5

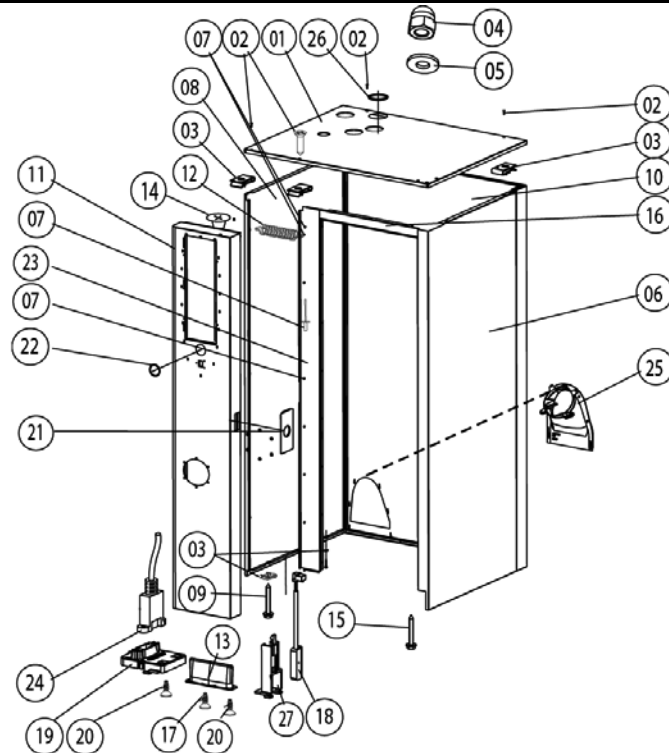




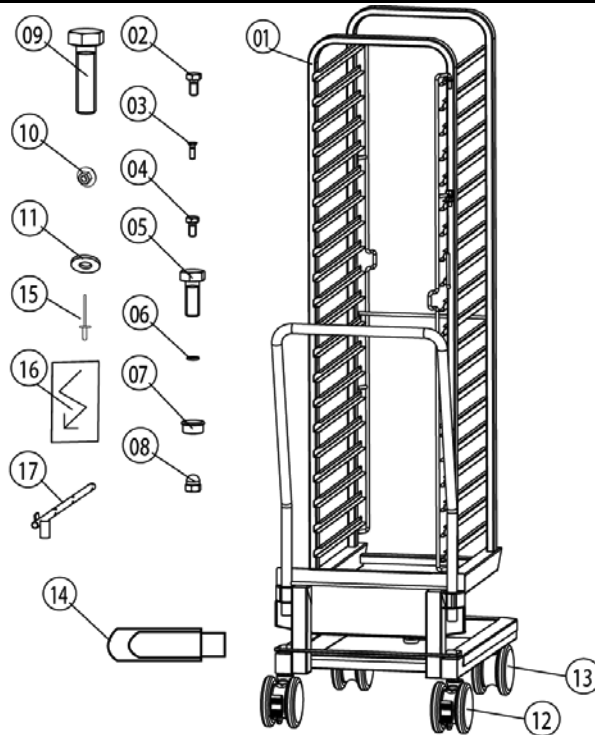
Item no.	Part no	Reference	Description
1	70.00.031		Gas valve GB 055 WND (lateral)
2	70.00.255		Premix chamber cover gas f. RG130
3	70.00.030		Premix chamber gas f. RG130
4	70.00.106		Premix disc gas
5	70.00.256		Disc premix chamber-blower RG130



Item no.	Part no	Reference	Description
A		►13.A	Exterior cabinet
1	22.00.354		Spacer ring
1	8450.1310		Spacer ring
2	22.00.353		Vent cover
2	8455.1209		Vent cover
3	1006.0760		Hex screw M6x16
4	2022.0101		Grommet 18 mm
5	1106.0802		Cage nut M6
7	8700.0317		Floor fixing for units
8	5006.0213		Glue for floor fixing brackets
9	5013.0100		Edge protection profile
10	2039.0111		Foot adjustable, metal, 40 x 40
11	10.00.091		Rubber profile f. edge protection



Item no.	Part no	Reference	Description
1	16.00.334		Top cover
2	1003.2265		Countersunk self tapping screw 4,2x16
3	1104.0820		Snap nut 4,2mm
4	1105.0260		Cap nut M5, high shape
5	1305.0160		Washer A5,3x10mm
6	16.00.142		Side panel right
7	1603.0166		Rivet 3,2x7,9 CNS closed
8	16.00.143		Side panel left
9	10.00.102		Hex self tapping screw B4,2x32
10	16.00.382		Back panel
11	16.00.296		Front panel
12	2002.0107		Tension spring for front panel
13	16.00.673		Air inlet filter
14	2039.0331		Cap for service door
15	1004.2160		Hex self tapping screw 4,2x16
16	16.00.330		Crossbar top
17	10.00.103		EJOT PT-screw KA 3.5x10
18	40.00.335		Door switch
19	16.00.329		Cover f. USB interface
20	10.00.460		EJOT PT-Screw Torx 3,5x14
21	16.00.115		Rosette
22	16.00.338		Edge protection profile
23	16.00.358		Crossbar front panel
24	40.00.470		Interface cable USB 1.5m
25	40.00.476		Exhaust channel
26	5105.1028		Gasket f. breather tube d=74mm
27	16.00.384		Bracket for door contact switch



Item no.	Part no	Reference	Description
1	60.21.177		Mobile oven rack for type 201,
2	1008.0760		Hex screw M8x16
3	10.00.448		Phillips countersunk-head screw M5x16
4	1004.0666		Hex screw M4x10
5	10.00.565		Hex screw M8x20
6	1208.0160		Tooth lock washer A8,4
7	10.00.357		Rubber plug black
8	1106.0360		Cap nut M6, high shape
12	60.60.100		Castor with brake $\varnothing$ 125mm
13	60.60.101		Castor without brake $\varnothing$ 125mm
14	42.00.029		USB-Memory-Stick
15	1603.0162		Rivet 3,2x9
16	4019.0008		Sticker Electric/Danger
17	60.60.574		Positioning support f. core sensor