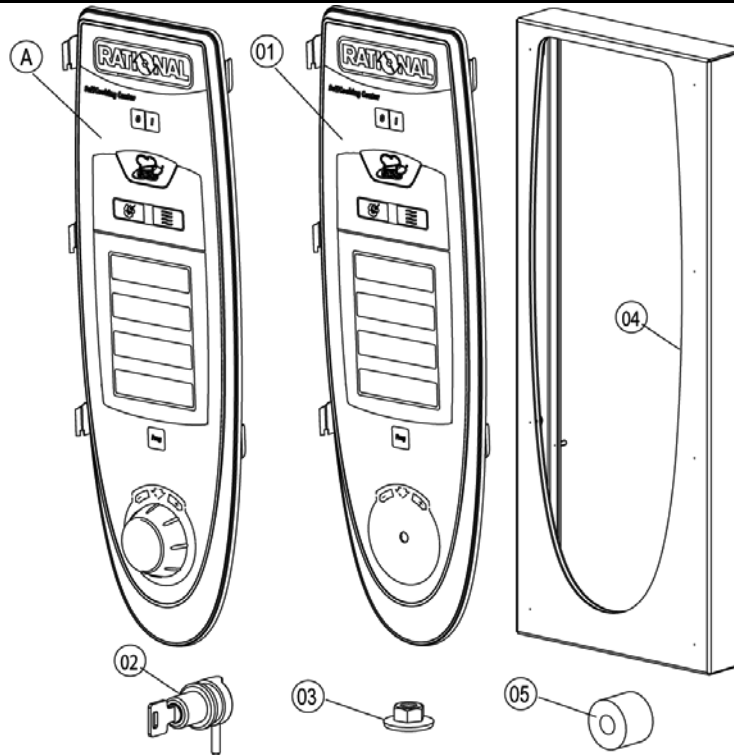
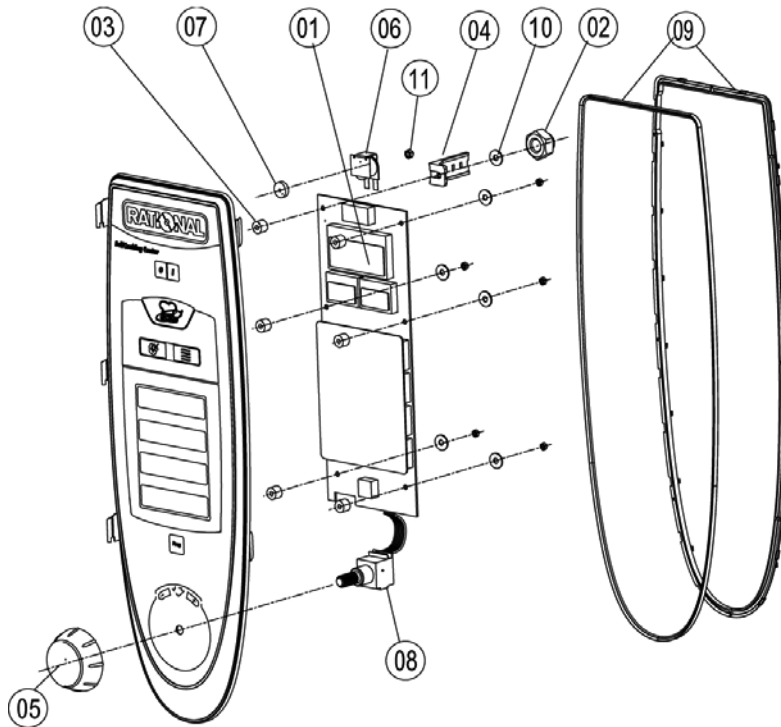


| Item no. | Part no | Reference | Description |
|----------|---------|-----------|-----------------------------|
| 1 | | ►1 | Control panel |
| 2 | | ►2 | Electrical installation |
| 3 | | ►3 | Clima Plus |
| 4 | | ►4 | Steam generator, Bypass |
| 5 | | ►5 | Hot air heating |
| 6 | | ►6 | Motor and fan wheel |
| 7 | | ►7 | Interior cabinet |
| 8 | | ►8 | Door |
| 9 | | ►9 | Water supply, quenching box |
| 10 | | ►10 | Hand shower |
| 11 | | ►11 | CleanJet |
| 13 | | ►13 | Exterior cabinet |
| 14 | | ►14 | Miscellaneous |

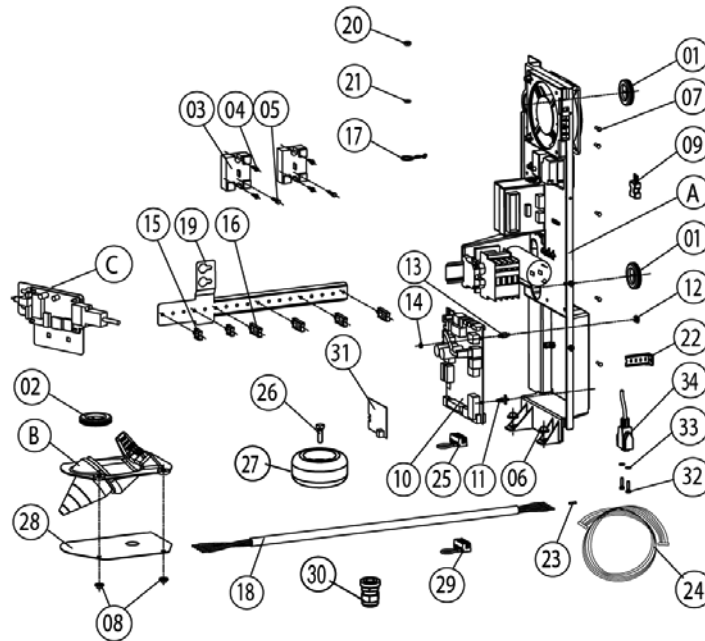
| | | |
|------|---|----|
| 1 | Control panel | 3 |
| 1.A | Control panel..... | 4 |
| 2 | Electrical installation | 5 |
| 2.A | Contactor assembly | 6 |
| 2.B | Cable entry | 7 |
| 3 | Clima Plus..... | 8 |
| 3.A | Hose set f. humidity control | 9 |
| 4 | Steam generator, Bypass | 10 |
| 4.A | Pump connection spout cpl. | 11 |
| 4.B | Venting valve for steam generator | 12 |
| 5 | Hot air heating | 13 |
| 6 | Motor and fan wheel | 14 |
| 7 | Interior cabinet | 15 |
| 7.A | Interior cabinet | 16 |
| 7.B | Gasket frame w. glass a. gaskets | 17 |
| 7.C | Air baffle | 18 |
| 8 | Door | 19 |
| 8.A | Door | 20 |
| 9 | Water supply, quenching box..... | 21 |
| 10 | Hand shower..... | 22 |
| 11 | CleanJet..... | 23 |
| 13 | Exterior cabinet..... | 24 |
| 13.A | Exterior cabinet | 25 |
| 14 | Miscellaneous | 26 |



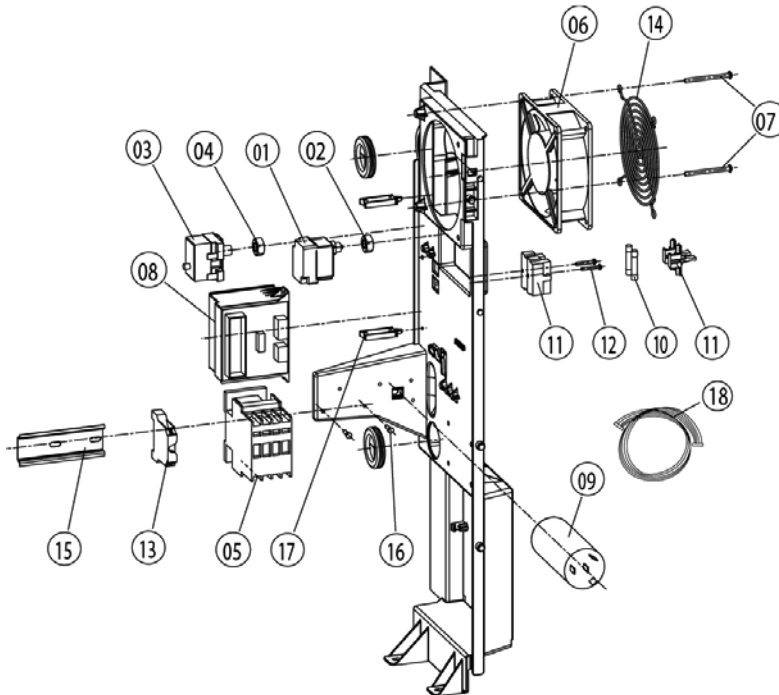
| Item no. | Part no | Reference | Description |
|----------|-----------|-----------|-----------------------------------|
| A | | ►1.A | Control panel |
| 1 | 87.00.000 | | Control panel insert with overlay |



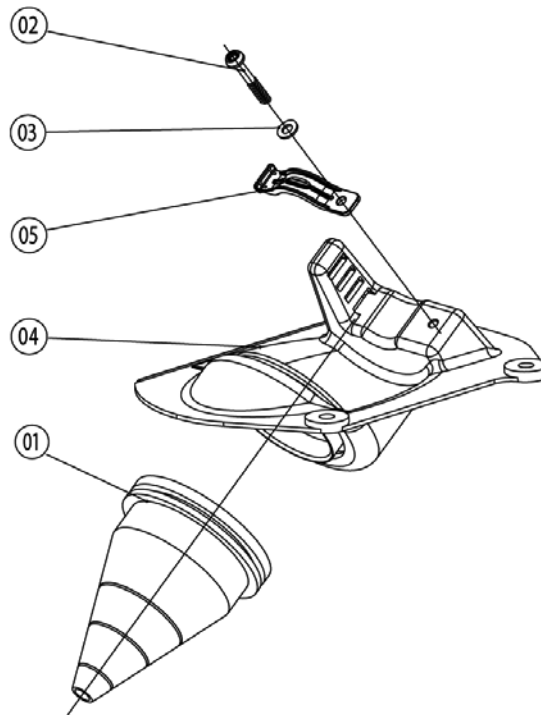
| Item no. | Part no | Reference | Description |
|----------|-----------|-----------|---|
| 1 | 42.00.002 | | Control pcb |
| 2 | 1104.0121 | | Hex nut M4 self locking |
| 3 | 10.00.355 | | Spacer black |
| 4 | 2020.0400 | | Fixing device for cable harness |
| 5 | 16.00.232 | | Dial f. pulse generator |
| 6 | 40.02.087 | | Buzzer |
| 6 | 3006.0107 | | Buzzer |
| 7 | 5110.1029 | | Gasket mode switch |
| 7 | 5110.1028 | | Gasket poti hot air, core temperature |
| 8 | 40.00.404 | | Pulse generator |
| 9 | 16.00.387 | | Mounting device f.sealing + sealing lip |
| 10 | 1306.0218 | | Washer A4,3 |
| 11 | 1103.0122 | | Hex nut M3 self-locking |



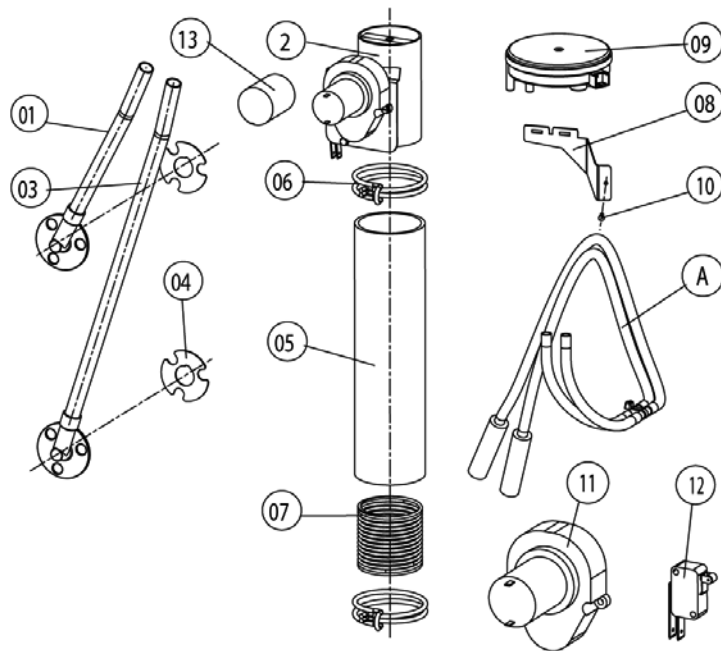
| Item no. | Part no | Reference | Description |
|----------|-----------|-----------|---|
| A | | ►2.A | Contacteur assembly |
| B | 40.00.306 | ►2.B | Cable entry |
| 1 | 4007.0620 | | Membrane DGC 29 |
| 2 | 4007.0621 | | Membrane DGC 36 |
| 3 | 40.01.589 | | Solid state relais |
| 4 | 10.00.507 | | Pan head screw Torx 5/16" T20 |
| 5 | 10.00.444 | | Raised countersunk head screw Torx M4x8 |
| 6 | 1106.0803 | | Hex combination nut M6 galv |
| 7 | 10.00.239 | | EJOT PT-Screw Torx 4x10 |
| 8 | 1105.0121 | | Hex combination nut M5 galv |
| 9 | 42.00.007 | | External memory |
| 10 | 40.00.049 | | Relay-I/O pcb |
| 10 | 42.00.045 | | Relay-I/O pcb w/o Sicotronic |
| 11 | 40.00.417 | | Fixing clip f. pcb |
| 12 | 1104.0801 | | Cage nut M4 |
| 13 | 10.00.243 | | Spacer M4x8 |
| 14 | 1104.0120 | | Hex nut M4 |
| 15 | 10.00.112 | | Cable clip short |
| 16 | 10.00.111 | | Cable clip long |
| 17 | 10.00.471 | | Cable clip d10-12mm |
| 18 | 40.01.067 | | Power supply cable 4x4mm ² |
| 19 | 40.01.090 | | Fixing device f. cable guide |
| 20 | 1106.0160 | | Hex nut M6 |
| 21 | 1206.0120 | | Tooth lock washer A6,4 |
| 22 | 2020.0400 | | Fixing device for cable harness |
| 24 | 40.00.471 | | Bus cable 0.8m |
| 25 | 40.00.338 | | Sicotronic-terminal *screw typ* |
| 29 | 40.01.776 | | Sicotronic-terminal *crimp type* |



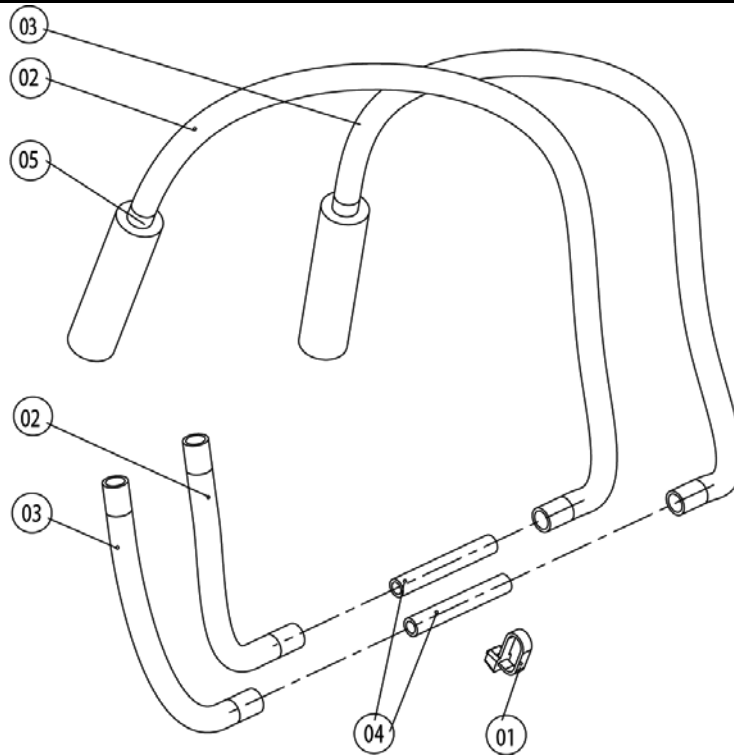
| Item no. | Part no | Reference | Description |
|----------|-----------|-----------|---|
| 1 | 40.01.329 | | Dry up protector 160° |
| 2 | 3014.0302 | | Hex nut M10 for dry-up protector |
| 3 | 40.01.482 | | Safety temperature limiter 365°C |
| 4 | 3014.0327 | | Hex nut M10x1,0 |
| 5 | 40.00.805 | | Contactor CL 25 |
| 6 | 3101.1008 | | Cooling fan |
| 7 | 10.00.238 | | Screw Torx 4x50 |
| 8 | 40.00.277 | | Control transformer |
| 9 | 40.00.465 | | Electronic noise filter |
| 10 | 4001.0224 | | Fuse 6.35x32mm |
| 11 | 4001.1295 | | Fuse holder e 1003Si/1DS |
| 12 | 10.00.240 | | Screw Torx 3x20 |
| 13 | 4001.1210 | | Earth terminal 16mm ² yellow/green |
| 14 | 2005.0106 | | Protective grid for cooling fan |
| 15 | 40.00.518 | | Installation rail for Contactor 95mm |
| 16 | 10.00.239 | | EJOT PT-Screw Torx 4x10 |
| 17 | 10.00.111 | | Cable clip long |
| 18 | 40.00.209 | | Cable buzzer |
| 18 | 40.00.202 | | Cable CDS sensor |
| 18 | 40.00.232 | | Cable contactor-SSR |
| 18 | 40.01.930 | | Cable contactor-SSR |
| 18 | 40.01.302 | | Cable control harness |
| 18 | 40.00.201 | | Cable control SSR |
| 18 | 40.00.210 | | Cable control transformer sec. |
| 18 | 40.00.213 | | Cable control transformer sec. |
| 18 | 40.00.207 | | Cable differential pressure switch |
| 18 | 40.00.208 | | Cable humidity control |
| 18 | 40.00.205 | | Cable level electrode |
| 18 | 40.00.204 | | Cable SC pump |
| 18 | 40.00.203 | | Cable solenoid valve |



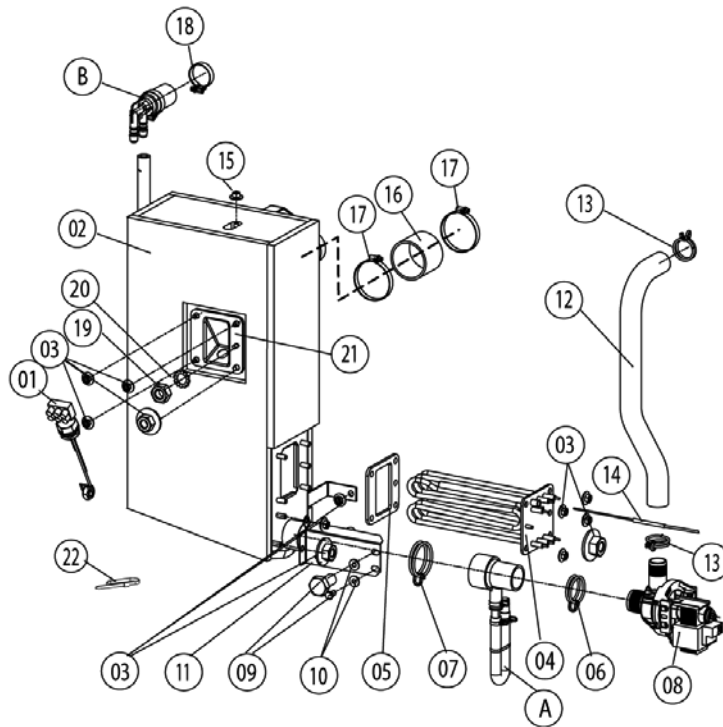
| Item no. | Part no | Reference | Description |
|----------|-----------|-----------|------------------------------|
| 1 | 40.00.391 | | Cable bushing f. cable entry |
| 2 | 10.00.115 | | Allen screw M5x30 |
| 3 | 1305.0160 | | Washer A5,3x10mm |
| 4 | 40.00.307 | | Cable entry |
| 5 | 40.00.312 | | Clamp strap f. cable entry |



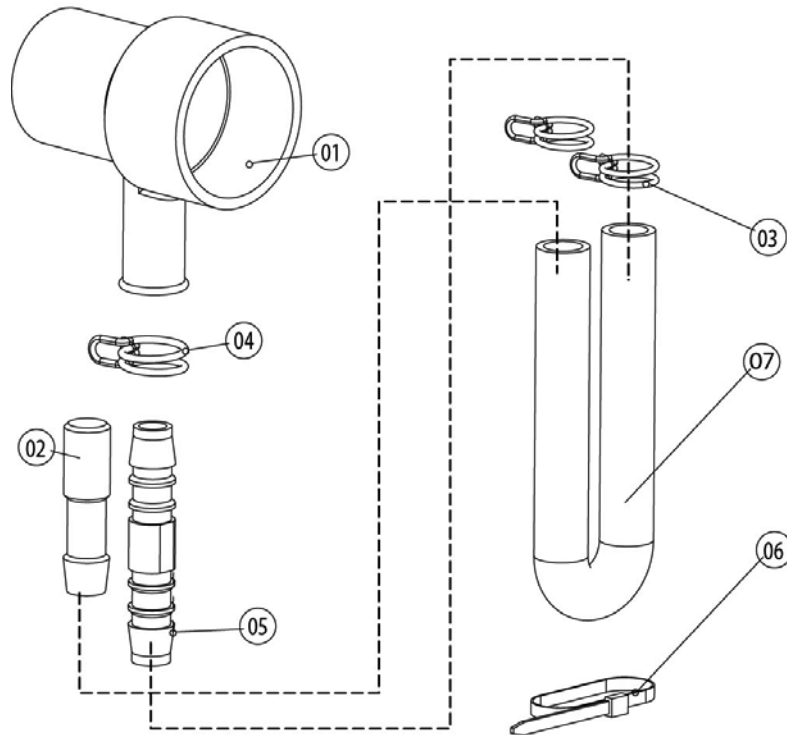
| Item no. | Part no | Reference | Description |
|----------|-----------|-----------|---|
| A | 22.00.234 | ►3.A | Hose set f. humidity control |
| 1 | 22.00.199 | | Inner humidity meas. Piece |
| 2 | 22.00.318 | | Humidity control cpl. with motor |
| 3 | 22.00.200 | | Outer humidity meas. Piece |
| 4 | 22.00.198 | | Gasket f. hum. meas. Pipe |
| 5 | 22.00.174 | | Hose d50x83 |
| 6 | 2066.0531 | | Hose clamp $\varnothing 56$ |
| 8 | 22.00.326 | | Mounting device f. pressure sensor |
| 9 | 3017.1011 | | Pressure sensor for humidity control Huba 401 |
| 10 | 10.00.239 | | EJOT PT-Screw Torx 4x10 |
| 11 | 3101.1010 | | Humidity control motor |
| 12 | 3016.0102 | | Micro switch |
| 13 | 3101.1021 | | Protecting cap f.12VDC humidity motor |



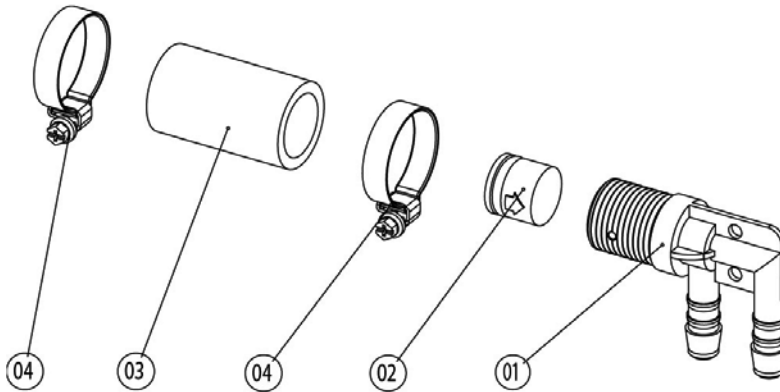
| Item no. | Part no | Reference | Description |
|----------|-----------|-----------|--|
| 1 | 4005.0101 | | Tie rap 145 mm |
| 2 | 2110.1020 | | Silicon hose $\varnothing 5 \times 1.5$ blue |
| 3 | 2110.1019 | | Silicone hose $\varnothing 5 \times 1,5$ "red" |
| 4 | 1900.0203 | | Ceramic tube 8x5x60mm for |
| 5 | 2112.1338 | | Silicone hose $\varnothing 8 \times 2 \times 20$ |



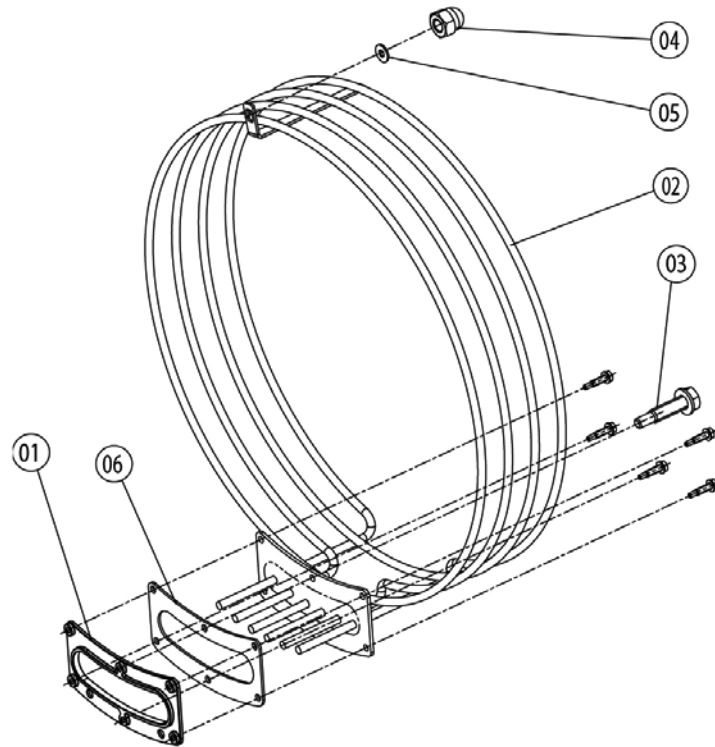
| Item no. | Part no | Reference | Description |
|----------|-----------|-----------|--|
| A | 8354.1320 | ►4.A | Pump connection spout cpl. |
| B | 8354.1304 | ►4.B | Venting valve for steam generator |
| 1 | 3002.0402 | | Filling level electrode 90 mm |
| 2 | 44.00.170 | | Steam generator insulated |
| 3 | 1106.0803 | | Hex combination nut M6 galv |
| 4 | 44.00.291 | | Heating element |
| 5 | 44.00.280 | | Gasket f. heating element+Level elektrode insert |
| 6 | 2066.0519 | | Hose clamp 35,6mm |
| 7 | 2066.0526 | | Hose clamp ø46mm |
| 8 | 44.00.207 | | Emptying pump |
| 9 | 1006.0762 | | Hex screw M6x10 |
| 10 | 1306.0222 | | Washer A6,4x15x1,5 |
| 11 | 44.00.232 | | Fixing device f. pump steam generator |
| 12 | 44.00.210 | | Drain hose steam generator |
| 13 | 2066.0518 | | Hose clamp 30mm |
| 14 | 40.00.291 | | Thermocouple steam generator |
| 15 | 1104.0122 | | Hex combination nut M4 galv |
| 16 | 2112.1006 | | Steam hose 50x7mm |
| 17 | 2066.0504 | | Hose clamp 40-60mm |
| 18 | 2066.0506 | | Hose clamp 20-32mm |
| 19 | 1105.0120 | | Hex nut M5 |
| 20 | 1205.0120 | | Tooth lock washer A5,3 |
| 21 | 2920.1300 | | Level elektrode insert |
| 22 | 10.00.414 | | Cable strap black 120° |



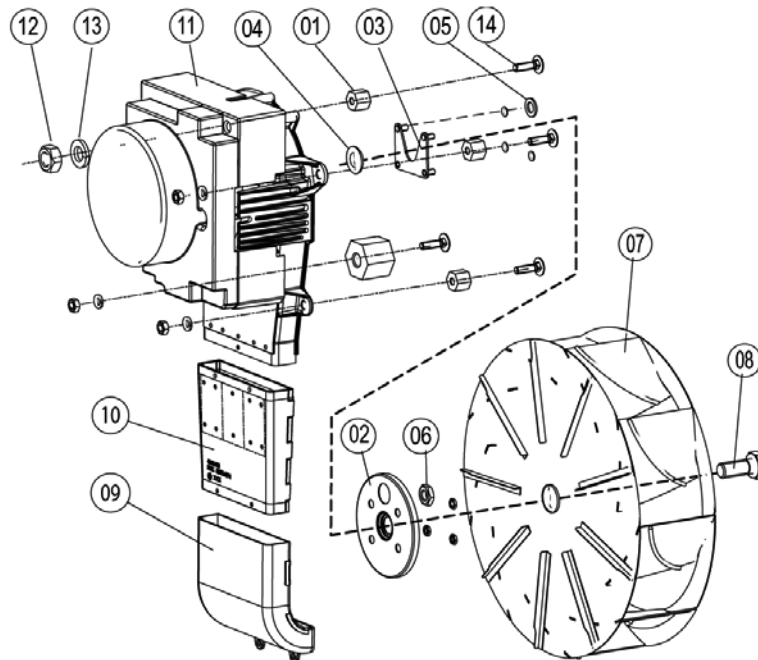
| Item no. | Part no | Reference | Description |
|----------|-----------|-----------|---------------------------------|
| 1 | 2118.1000 | | Pump connection spout |
| 2 | 2120.1259 | | Stop plug 10mm |
| 3 | 2066.0527 | | Hose clamp \varnothing 14mm |
| 4 | 2066.0530 | | Hose clamp \varnothing 16.4mm |
| 5 | 2062.0331 | | Junction pressure hose GS 10 |
| 6 | 4005.0101 | | Tie rap 145 mm |



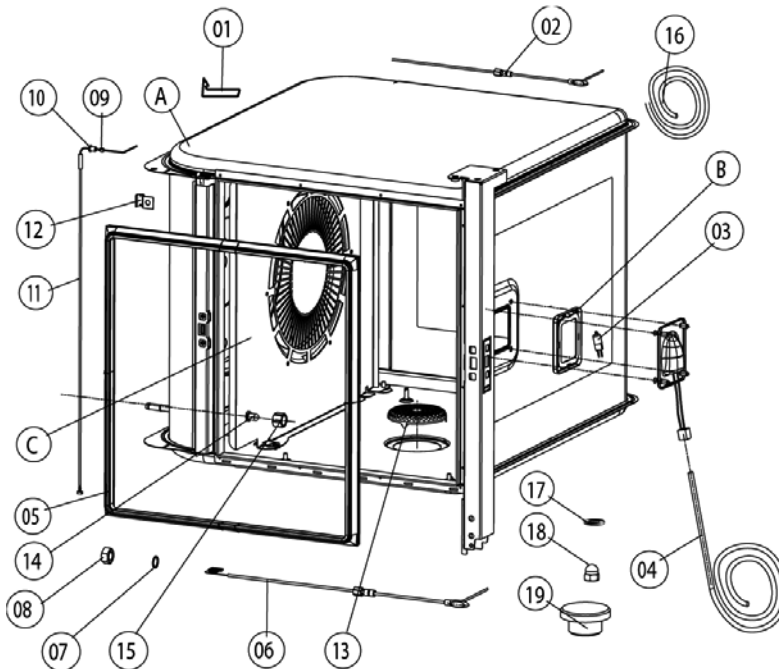
| Item no. | Part no | Reference | Description |
|----------|-----------|-----------|--|
| 1 | 2062.0332 | | Receptacle for ventilation valve SG |
| 2 | 2069.0108 | | Ventilation valve |
| 3 | 2112.1310 | | Form hose for ventilation of steam generator |
| 4 | 2066.0506 | | Hose clamp 20-32mm |



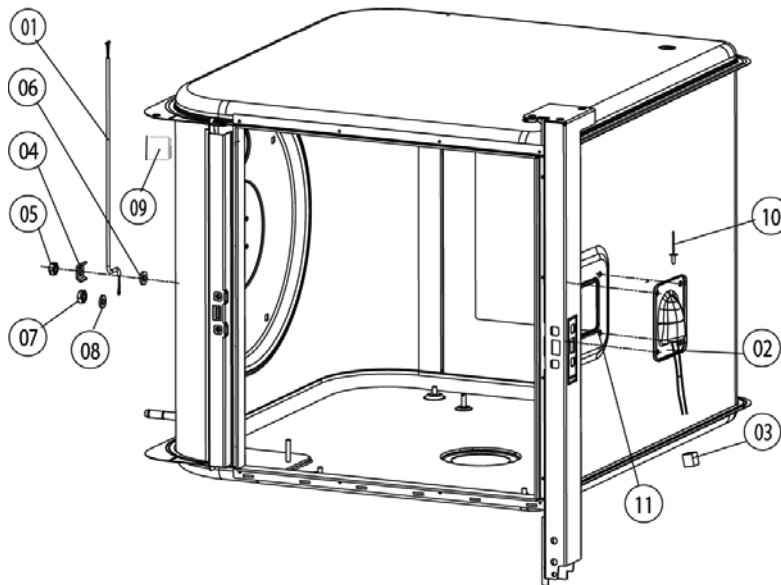
| Item no. | Part no | Reference | Description |
|----------|-----------|-----------|-----------------------------------|
| 1 | 40.00.305 | | Mating flange f. heating assembly |
| 2 | 40.00.251 | | Heating assembly |
| 3 | 10.00.109 | | Hex screw M5x23 |
| 4 | 1106.0360 | | Cap nut M6, high shape |
| 5 | 1306.0222 | | Washer A6,4x15x1,5 |
| 6 | 40.00.332 | | Gasket f. heating assembly |



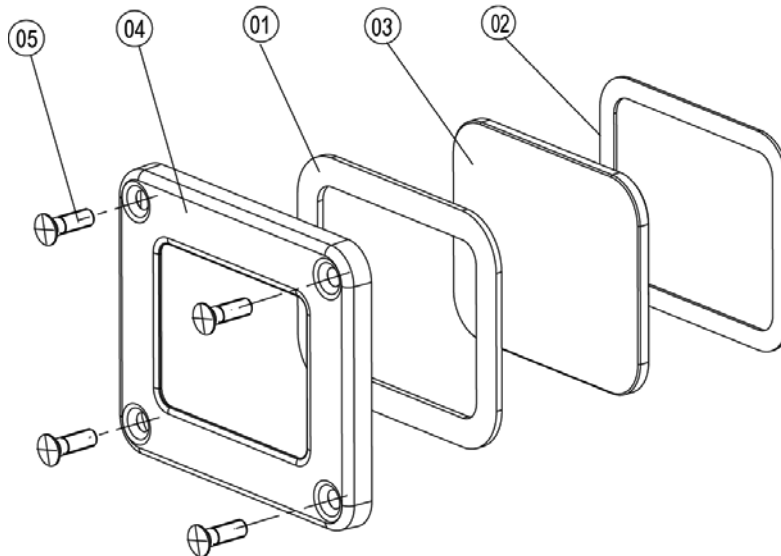
| Item no. | Part no | Reference | Description |
|----------|-----------|-----------|---------------------------------------|
| 1 | 2120.1306 | | Spacer SW19x17 |
| 2 | 22.00.123 | | Flange f. motor shaft gasket |
| 3 | 22.00.120 | | Mounting support f. gasket flange |
| 4 | 22.00.083 | | Motor shaft gasket |
| 5 | 1315.0101 | | Copper washer 6x10 |
| 6 | 1106.0220 | | Hex nut M6 flat |
| 7 | 22.00.188 | | Fan wheel d340x110 |
| 8 | 1008.0763 | | Hex screw M8x20 |
| 8 | 10.00.565 | | Hex screw M8x20 |
| 9 | 40.00.310 | | Exhaust pipe below |
| 11 | 40.00.274 | | Fan motor |
| 12 | 10.00.071 | | Hex nut M8 |
| 12 | 1108.0260 | | Hex nut M8 |
| 12 | 10.00.710 | | Hex nut M8 w. locking |
| 13 | 1208.0260 | | Spring washer B8 |
| 14 | 1008.1005 | | Square necked mushroom head bolt 8x40 |



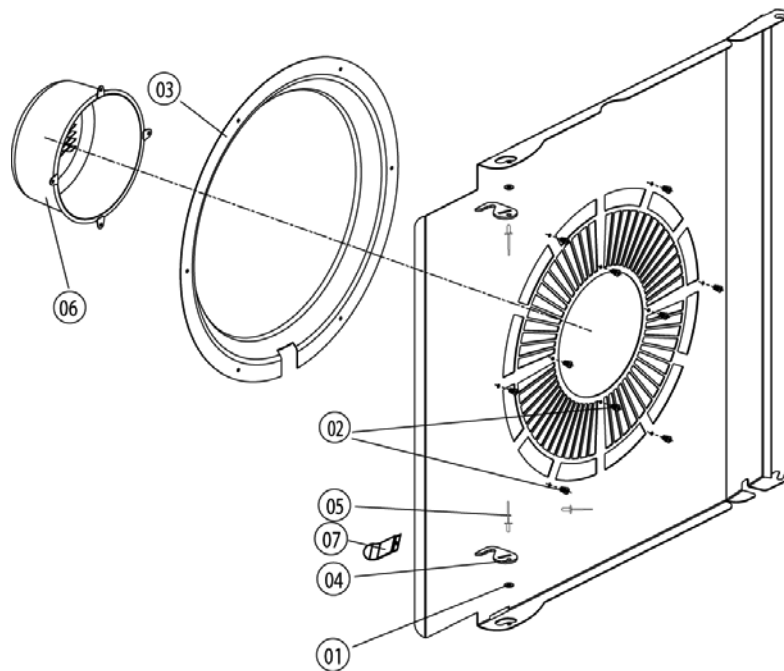
| Item no. | Part no | Reference | Description |
|----------|-----------|-----------|---|
| A | | ►7.A | Interior cabinet |
| B | 40.00.091 | ►7.B | Gasket frame w. glass a. gaskets |
| C | 22.00.379 | ►7.C | Air baffle |
| 1 | 40.00.520 | | Screen interior cabinet sensor |
| 3 | 3024.0201 | | Halogen bulb for interior cabinet 300°C |
| 4 | 40.00.211 | | Wiring interior light |
| 5 | 20.00.394 | | Door gasket |
| 6 | 40.00.293 | | Meat probe sensor |
| 7 | 1315.0104 | | Copper washer 16x20x1,5 |
| 8 | 10.00.422 | | Hex nut M16 |
| 9 | 3014.0162 | | Sealing cone for thermocouple |
| 10 | 3014.0163 | | Gasket sleeve with nipple |
| 11 | 40.00.395 | | Thermocouple interior cabinet |
| 12 | 2760.1089 | | Guide bush for core temperatur sensor |
| 13 | 2005.0308 | | Outlet sieve |
| 14 | 50.00.395 | | Nozzle f. moistening |
| 15 | 50.00.394 | | Union nut M12x12 |



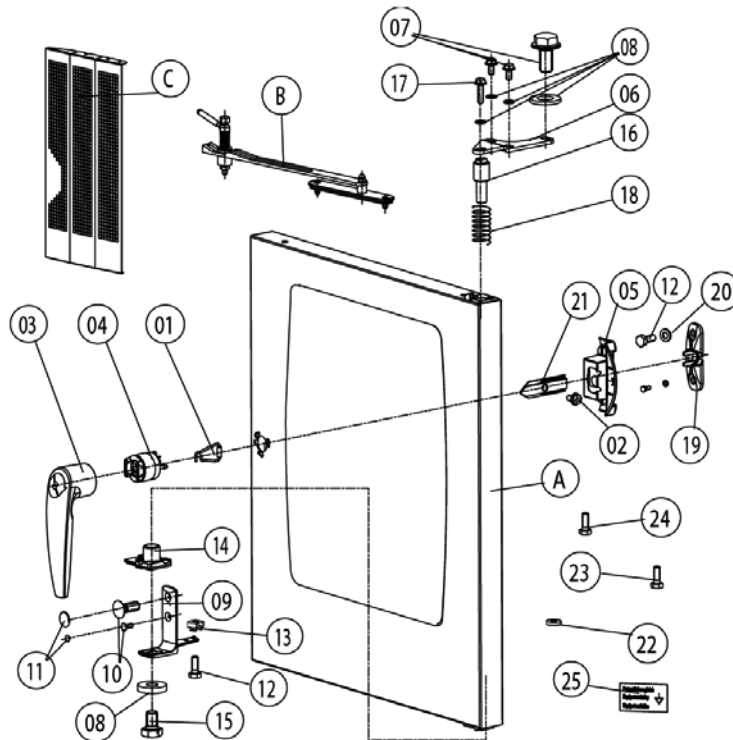
| Item no. | Part no | Reference | Description |
|----------|-----------|-----------|--|
| 1 | 40.00.290 | | Thermocouple humidity |
| 2 | 40.00.098 | | Reflector f. interior light |
| 3 | 4001.1248 | | Porcelain connector 2-pin interior light |
| 4 | 1330.0100 | | Clamp strap f. sensor |
| 5 | 1106.0224 | | Hex nut M6 self locking |
| 6 | 1306.0120 | | Washer A6,4 |
| 7 | 1104.0120 | | Hex nut M4 |
| 8 | 1204.0120 | | Tooth lock washer A4,3 |
| 9 | 2120.1277 | | Base for sensor connection |
| 10 | 1603.0167 | | Tubular rivet 3,2x0.25x10 |
| 11 | 10.00.041 | | Rivet nut M5 hexagon closed |



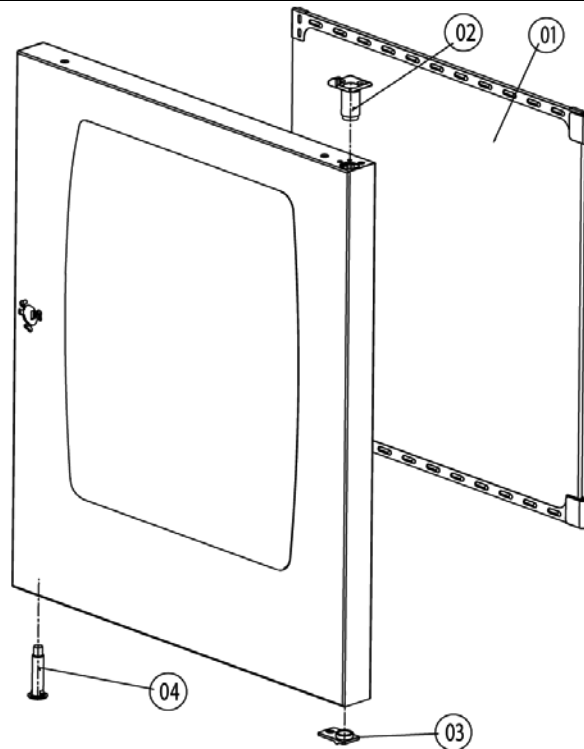
| Item no. | Part no | Reference | Description |
|----------|-----------|-----------|---------------------------------------|
| 1 | 40.00.093 | | Outer gasket f. interior light |
| 2 | 40.00.094 | | Inner gasket f. interior light |
| 3 | 40.00.095 | | Glass pane f. interior light |
| 4 | 40.00.096 | | Gasket frame f. interior light |
| 5 | 10.00.682 | | Phillips countersunk-head screw M5x16 |



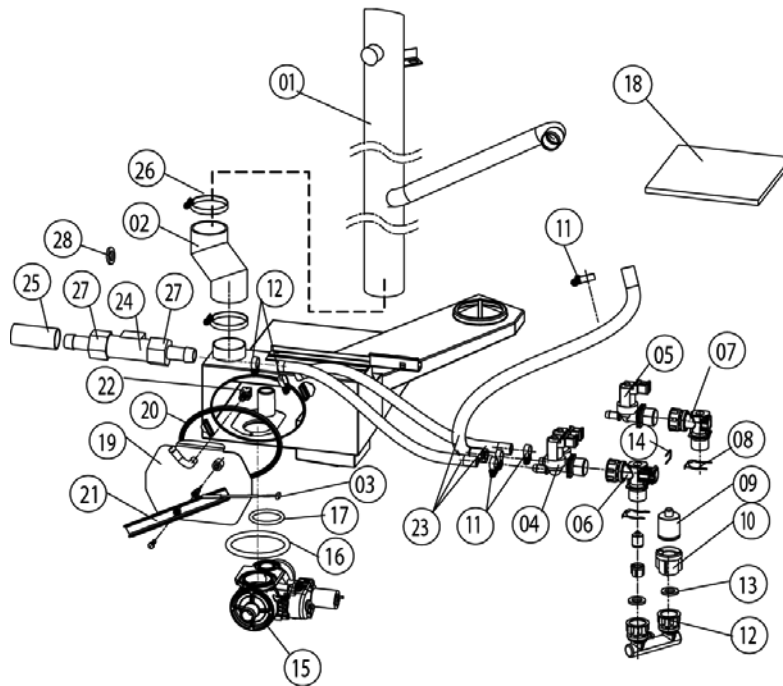
| Item no. | Part no | Reference | Description |
|----------|-----------|-----------|---------------------------------|
| 1 | 1304.0160 | | Washer A4,3 |
| 2 | 1604.0167 | | Rivet 4x10 |
| 3 | 22.00.332 | | Air sucking ring f. air baffle |
| 4 | 2760.1370 | | Latch hook for air baffle |
| 5 | 10.00.515 | | Rivet 3,2x5 A4 |
| 5 | 1603.0168 | | Rivet 3,2x8 A4 |
| 6 | 22.00.361 | | Deep-draw f. air baffle |
| 7 | 22.00.484 | | Swing protection for core probe |



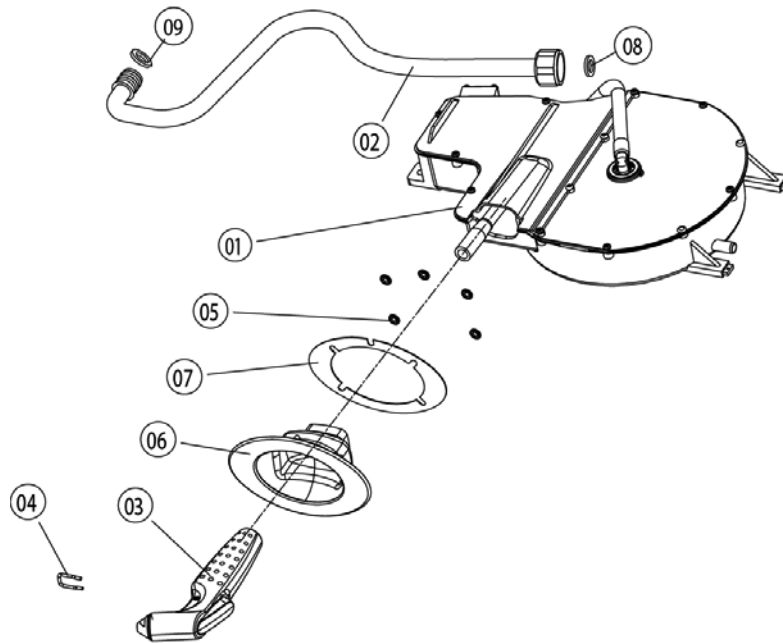
| Item no. | Part no | Reference | Description |
|----------|-----------|-----------|------------------------------------|
| A | 24.00.088 | ►8.A | Door |
| 1 | 24.01.100 | | Spring clip f. door lock |
| 2 | 1005.2000 | | Interlocking tooth screw M5x8 |
| 3 | 24.00.152 | | Door handle |
| 4 | 24.00.176 | | Door lock |
| 5 | 24.00.504 | | Lock cover |
| 6 | 24.00.133 | | Door mounting support top |
| 7 | 1008.0768 | | Ornamental screw M8x16 |
| 8 | 1308.0162 | | Washer A8,4 |
| 9 | 24.00.223 | | Door mounting support bottom |
| 10 | 1006.1962 | | Countersunk screw Torx M6x16 |
| 11 | 10.00.090 | | Cap f. Torx T30 |
| 12 | 1006.0760 | | Hex screw M6x16 |
| 13 | 1106.0802 | | Cage nut M6 |
| 14 | 24.00.137 | | Door bolt |
| 15 | 10.00.099 | | Hex screw M8x12 |
| 16 | 24.00.048 | | Door bolt |
| 17 | 1008.0769 | | Ornamental screw M8x30 |
| 18 | 2001.0109 | | Compression spring |
| 19 | 24.00.141 | | Holding bracket f. door catch |
| 20 | 1306.0120 | | Washer A6,4 |
| 21 | 24.00.142 | | Door catch |
| 22 | 1308.0160 | | Washer A8,4 |
| 23 | 24.01.200 | | Pan head screw Torx M4x12 T20 |
| 24 | 24.01.199 | | Slotted pan head screw M6x45 *WDS* |



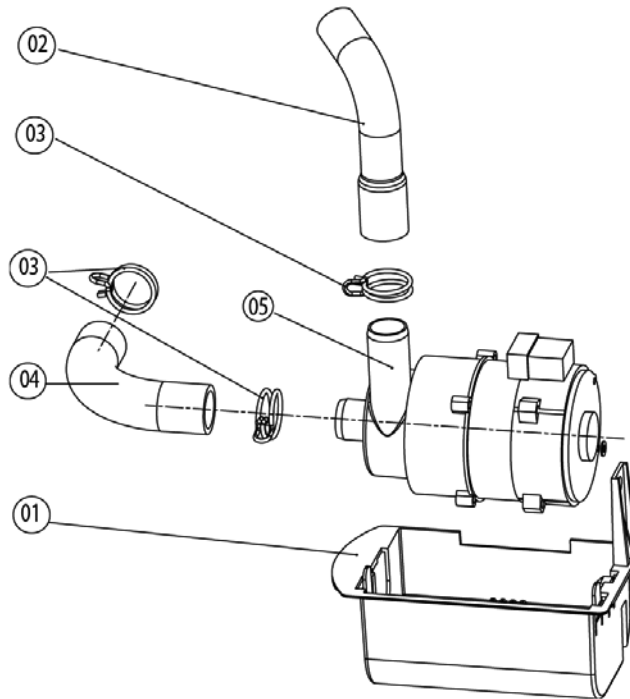
| Item no. | Part no | Reference | Description |
|----------|-----------|-----------|-------------------------------------|
| 1 | 24.00.163 | | Inner door pane |
| 2 | 24.00.147 | | Sleeve for door bolt top |
| 3 | 24.00.146 | | Door setting bolt |
| 4 | 24.00.502 | | Fixing device f. magnet with magnet |



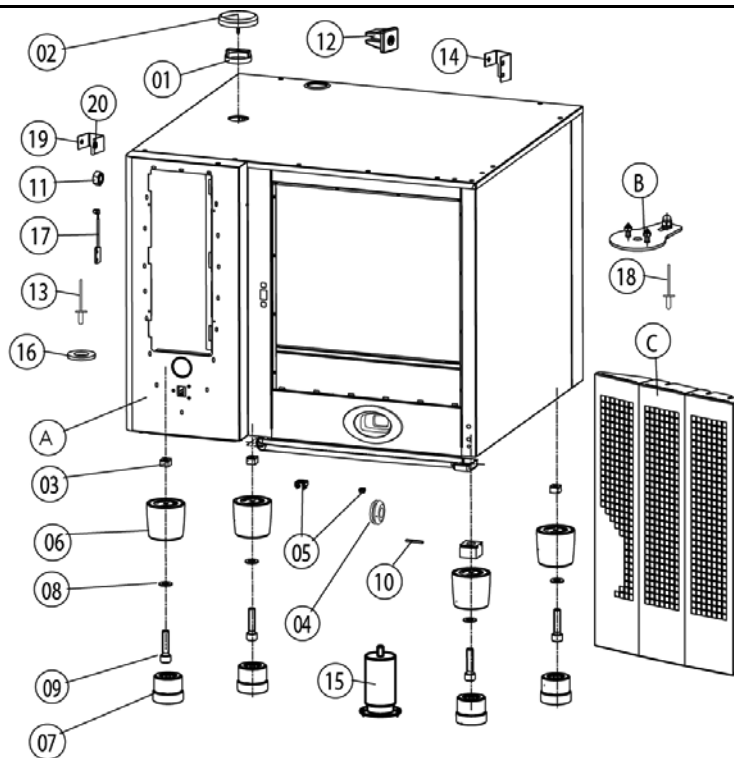
| Item no. | Part no | Reference | Description |
|----------|-----------|-----------|---|
| 1 | 54.00.223 | | Exhaust pipe |
| 2 | 54.00.086 | | Rubber form piece venting pipe |
| 3 | 40.00.287 | | Thermocouple quenching |
| 4 | 50.00.138 | | Double solenoid valve |
| 5 | 50.00.139 | | Single solenoid valve |
| 6 | 50.00.070 | | Water distribution hor roll guide con. |
| 7 | 50.00.071 | | Water distribution hor. w/o roll guide con. |
| 8 | 50.00.086 | | Locking plate f. water distribution |
| 9 | 50.00.078 | | Non return valve DW16/DN12 |
| 10 | 1900.0202 | | Water filter |
| 11 | 2066.0205 | | Hose clamp 8-16x9 mm SW 7mm |
| 12 | 8664.1301 | | T-fitting water connection |
| 13 | 5110.1024 | | Gasket for G3/4" threaded joint |
| 14 | 50.00.085 | | Plug-in spring f. hand shower roll guide |
| 15 | 54.00.357 | | Ball valve drain SCC cpl. |
| 16 | 10.00.511 | | O-ring for ball valve drain 46x3.5 |
| 17 | 10.00.512 | | O-ring for ball valve drain 26x3.5 |
| 18 | 5003.0300 | | Insulation, melamin resin foam |
| 19 | 54.00.228 | | Inspection lid f. quenching chamber |
| 20 | 5012.0566 | | Gasket quenching chamber O-ring |
| 21 | 54.00.225 | | Clamping bar |
| 22 | 2016.0935 | | Quenching nozzle 2.3 l/min. |
| 23 | 2067.0050 | | Pressure hose d10mm |
| 24 | 44.00.211 | | Water volume sensor |
| 24 | 44.00.670 | | Water volume sensor with wire |
| 25 | 2112.1346 | | Protecting hose ø28x2x70mm |
| 27 | 44.00.592 | | Brass fitting G3/8-NW10 |
| 28 | 44.00.593 | | Gasket f. water volume sensor G3/8 |
| 29 | 2120.1277 | | Base for sensor connection |



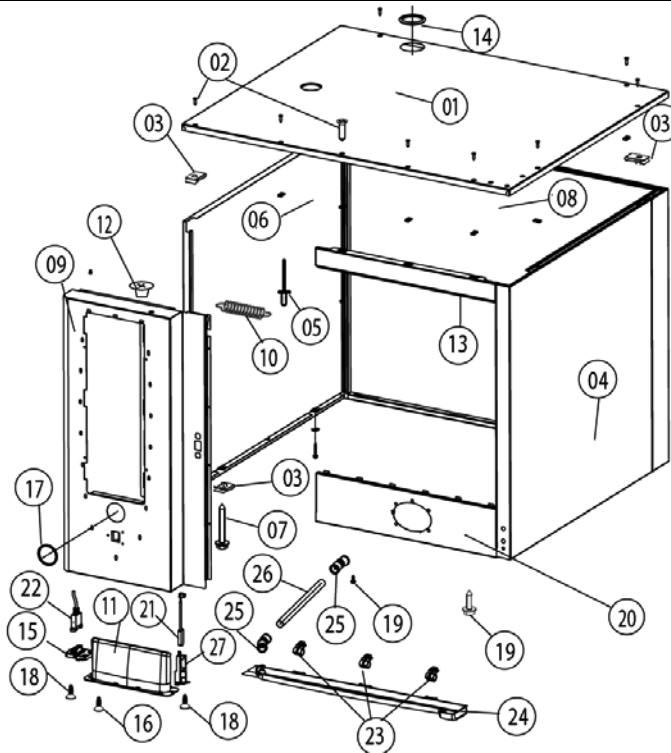
| Item no. | Part no | Reference | Description |
|----------|-----------|-----------|---|
| 1 | 50.00.140 | | Hand shower roll guide |
| 2 | 50.00.172 | | Connect. pipe f. hand shower roll guide |
| 3 | 50.00.130 | | Hand shower |
| 4 | 50.00.156 | | Clamp f. hand shower roll guide |
| 5 | 1107.0100 | | Star lock ø4 |
| 6 | 50.00.279 | | Tulip for handshower |
| 7 | 50.00.298 | | Tape f. tulip |
| 8 | 50.00.537 | | Gasket f. connect.pipe hand shower roll guide |
| 9 | 50.00.538 | | O-ring f. connect. pipe f. hand shower roll guide |



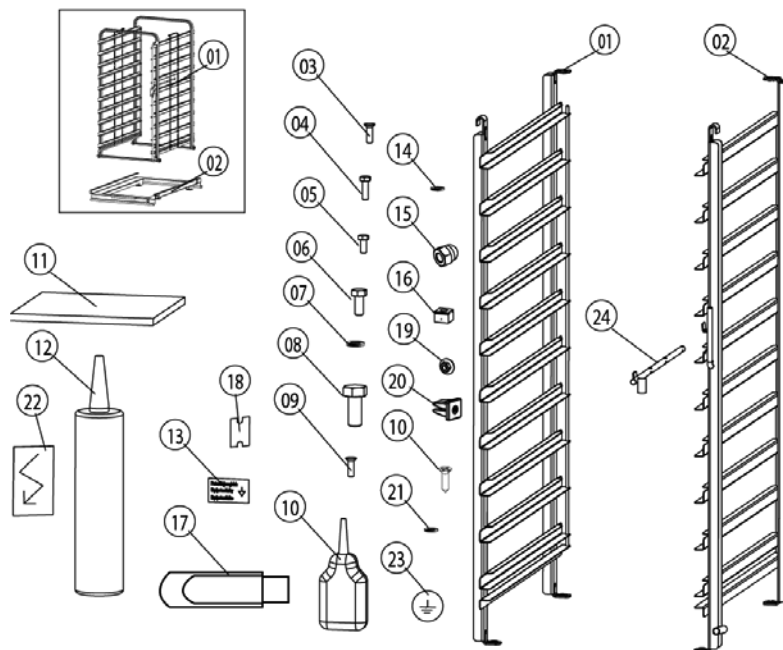
| Item no. | Part no | Reference | Description |
|----------|-----------|-----------|---------------------------|
| 1 | 12.00.319 | | Housing f. Cleaning pump |
| 2 | 56.00.166 | | Pressure hose f. cleaning |
| 3 | 2066.0521 | | Hose clamp 27mm |
| 4 | 56.00.188 | | Suction hose f. cleaning |
| 5 | 56.00.153 | | Pump f. cleaning UP30 |



| Item no. | Part no | Reference | Description |
|----------|-----------|-----------|---------------------------------|
| A | | ► 13.A | Exterior cabinet |
| 1 | 22.00.354 | | Spacer ring |
| 1 | 8450.1310 | | Spacer ring |
| 2 | 22.00.353 | | Vent cover |
| 2 | 8455.1209 | | Vent cover |
| 3 | 1110.0800 | | Cage nut M10 |
| 4 | 2022.0101 | | Grommet 18 mm |
| 5 | 1106.0802 | | Cage nut M6 |
| 6 | 12.00.205 | | Upper part of pedestal |
| 7 | 12.00.206 | | Lower part of pedestal |
| 8 | 1328.0102 | | Safety washer A10,2 |
| 9 | 10.00.107 | | Allen screw M10x30 |
| 14 | 16.01.146 | | Bracket for door contact switch |



| Item no. | Part no | Reference | Description |
|----------|-----------|-----------|---------------------------------------|
| 1 | 16.00.163 | | Top cover |
| 2 | 1003.2265 | | Countersunk self tapping screw 4,2x16 |
| 3 | 1104.0820 | | Snap nut 4,2mm |
| 4 | 16.00.135 | | Side panel right |
| 5 | 1603.0166 | | Rivet 3,2x7,9 CNS closed |
| 6 | 16.00.136 | | Side panel left |
| 7 | 10.00.102 | | Hex self tapping screw B4,2x32 |
| 8 | 16.00.187 | | Back panel |
| 9 | 16.00.294 | | Front panel |
| 10 | 2002.0107 | | Tension spring for front panel |
| 11 | 16.00.673 | | Air inlet filter |
| 12 | 2039.0331 | | Cap for service door |
| 13 | 16.00.180 | | Crossbar top |
| 14 | 5105.1027 | | Gasket f. exhaust pipe d=54mm |
| 15 | 16.00.329 | | Cover f. USB interface |
| 16 | 10.00.103 | | EJOT PT-screw KA 3.5x10 |
| 17 | 16.00.338 | | Edge protection profile |
| 18 | 10.00.460 | | EJOT PT-Screw Torx 3,5x14 |
| 19 | 1004.2160 | | Hex self tapping screw 4,2x16 |
| 20 | 16.00.325 | | Crossbar below |
| 21 | 40.00.335 | | Door switch |
| 22 | 40.00.469 | | Interface cable USB 0.9m |
| 23 | 50.00.296 | | Clip f. drip collector |
| 24 | 50.00.286 | | Drip collector |
| 25 | 50.00.303 | | Bushing drip collector |
| 26 | 50.00.556 | | Drain drip collector |
| 26 | 50.00.299 | | Drain drip collector |
| 27 | 16.00.384 | | Bracket for door contact switch |



| Item no. | Part no | Reference | Description |
|----------|-----------|-----------|---------------------------------------|
| 1 | 60.61.016 | | Hinging rack left |
| 2 | 60.61.017 | | Hinging rack right |
| 3 | 10.00.448 | | Phillips countersunk-head screw M5x16 |
| 4 | 1008.0750 | | Hex screw M5x16 |
| 5 | 1004.0666 | | Hex screw M4x10 |
| 6 | 10.00.565 | | Hex screw M8x20 |
| 7 | 1208.0160 | | Tooth lock washer A8,4 |
| 11 | 5003.0300 | | Insulation, melamin resin foam |
| 12 | 5006.0500 | | Polyurethan-Glue for insulation 310ml |
| 17 | 42.00.029 | | USB-Memory-Stick |
| 19 | 1105.0123 | | Hex combination nut M4 |
| 22 | 4019.0008 | | Sticker Electric/Danger |
| 24 | 60.60.574 | | Positioning support f. core sensor |