

Service part catalogue

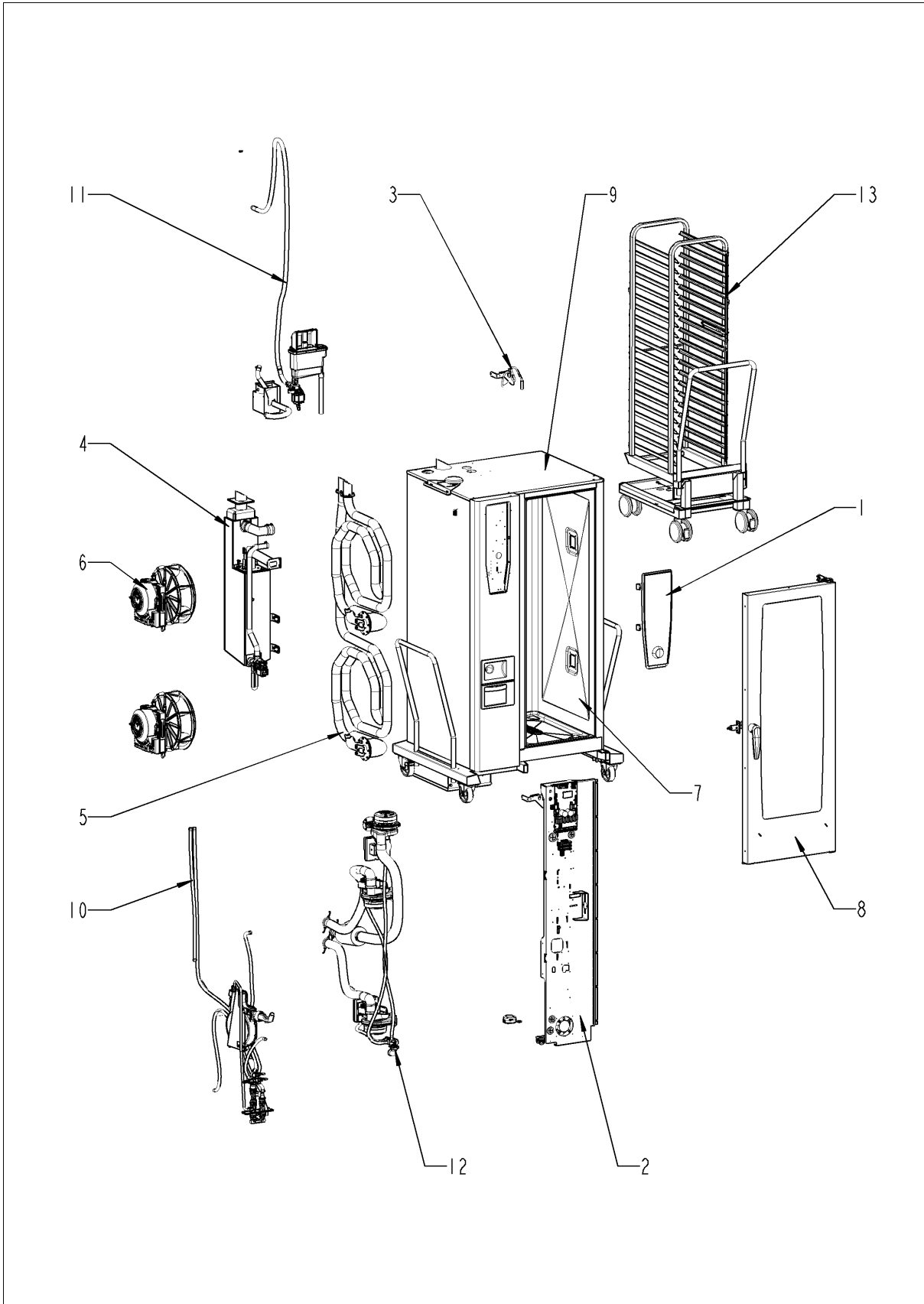
SelfCookingCenter® whiteefficiency®

SelfCooking Center 201 - 20 x 1/1 GastronormG

G21SH1112



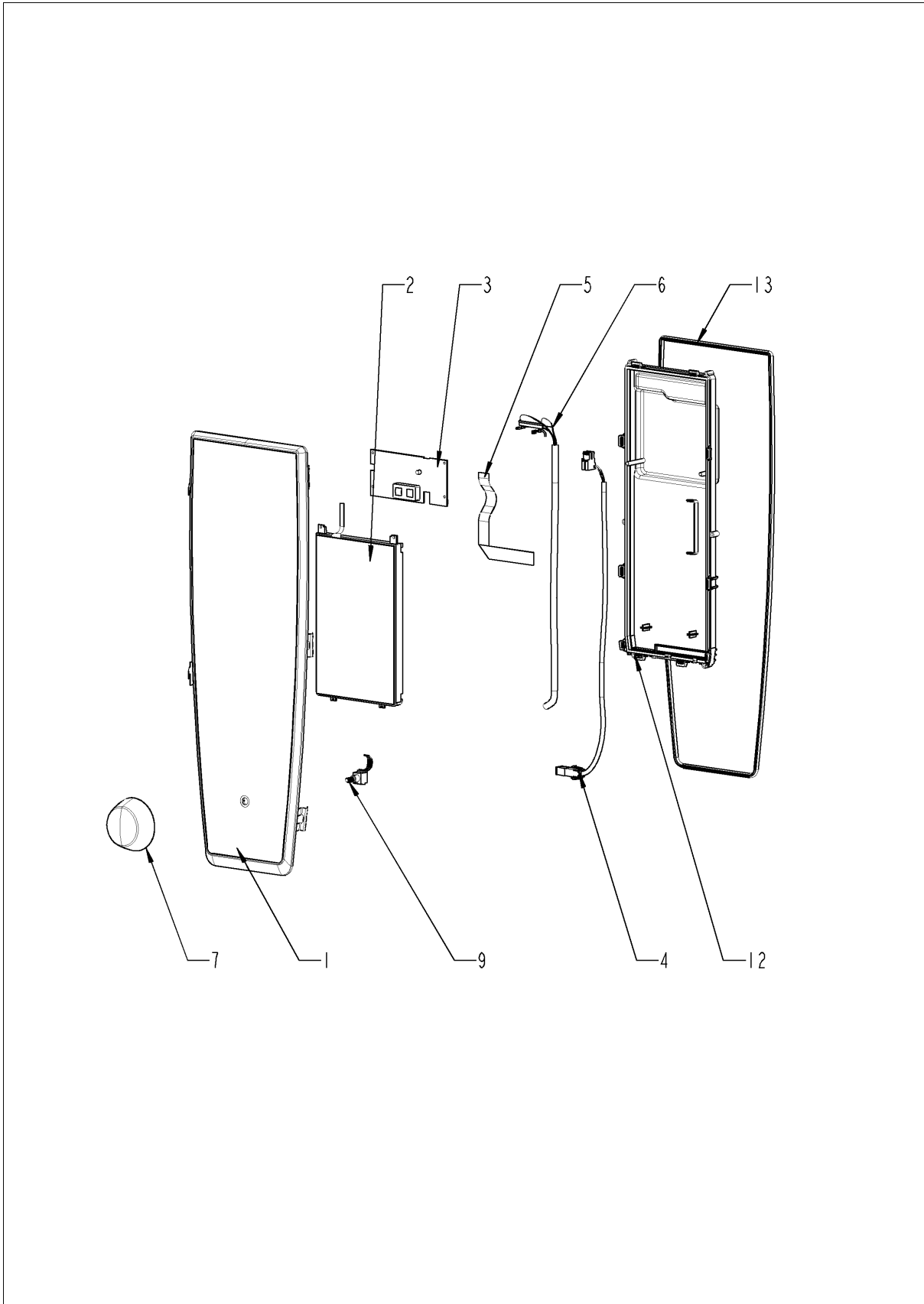
SelfCookingCenter® whiteefficiency®



SelfCookingCenter® whiteefficiency®

Pos.	Part No.	Description	Qty.
1		Control panel	1
2		Electrical installation	1
3		ClimaPlus	1
4		Steam generator	1
5		Hot air heating	1
6		Motor and fan wheel	1
7		Interior cabinet	1
8		Door	1
9		Exterior cabinet	1
10		Water	1
11		CleanJet + Care	1
12		Gas parts	1
13		Standard accessory	1

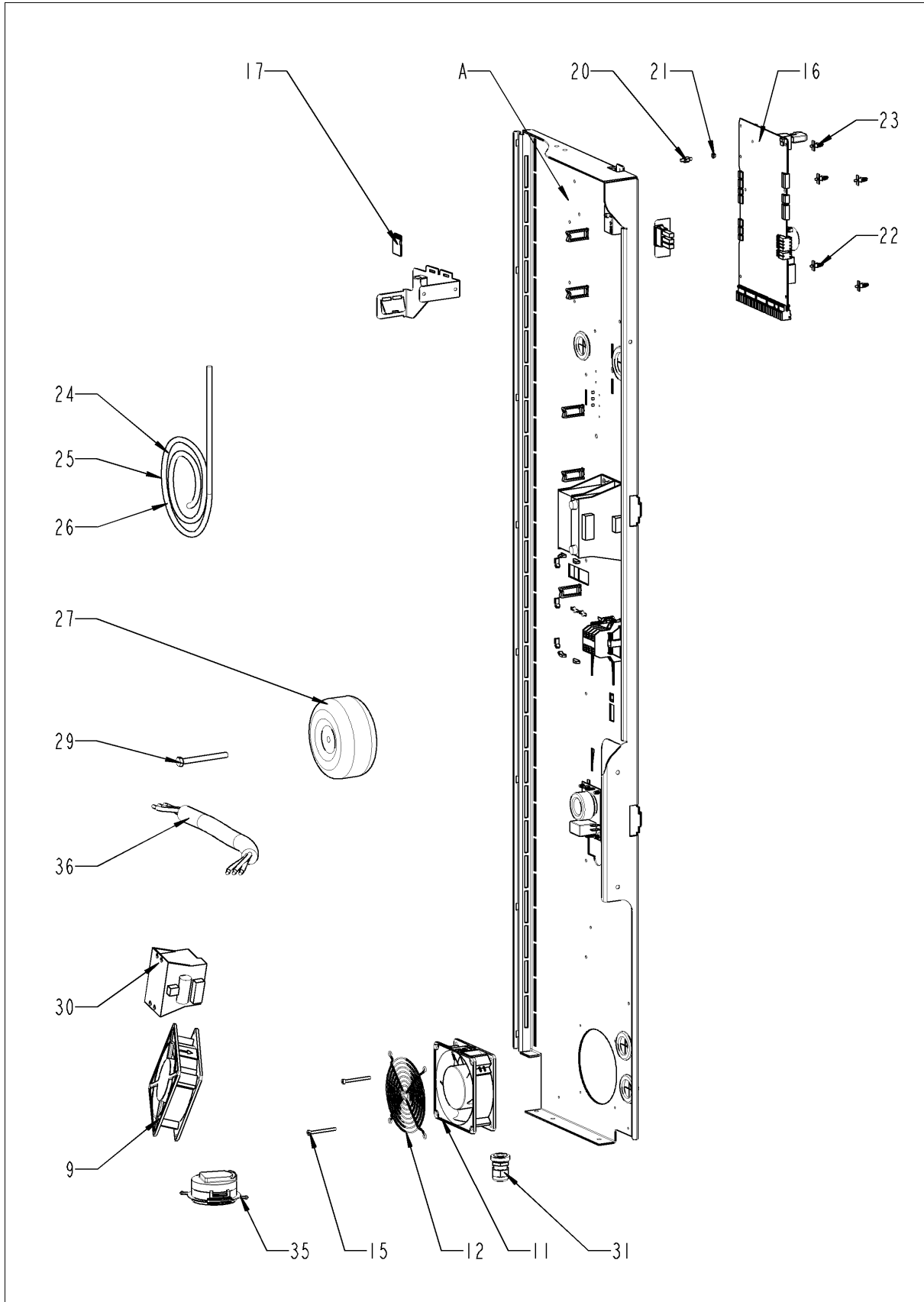
Control panel



Control panel

Pos.	Part No.	Description	Qty.
1	87.01.005	Control panel insert with overlay *RAT*	1
2	42.00.112	Control pcb *TFT*	1
3	42.00.081	MMI pcb	1
4	40.03.467	Cable On-Off switch MMI	1
5	40.03.515	Cable MMI - TFT	1
6	40.03.516	Cable MMI - CPU	1
7	16.02.062	Dial f. pulse generator	1
9	40.00.404	Pulse generator	1
12	16.01.910	Cover f. control pcb w. gasket	1
13	16.01.908	Sealing f. panel insert	1

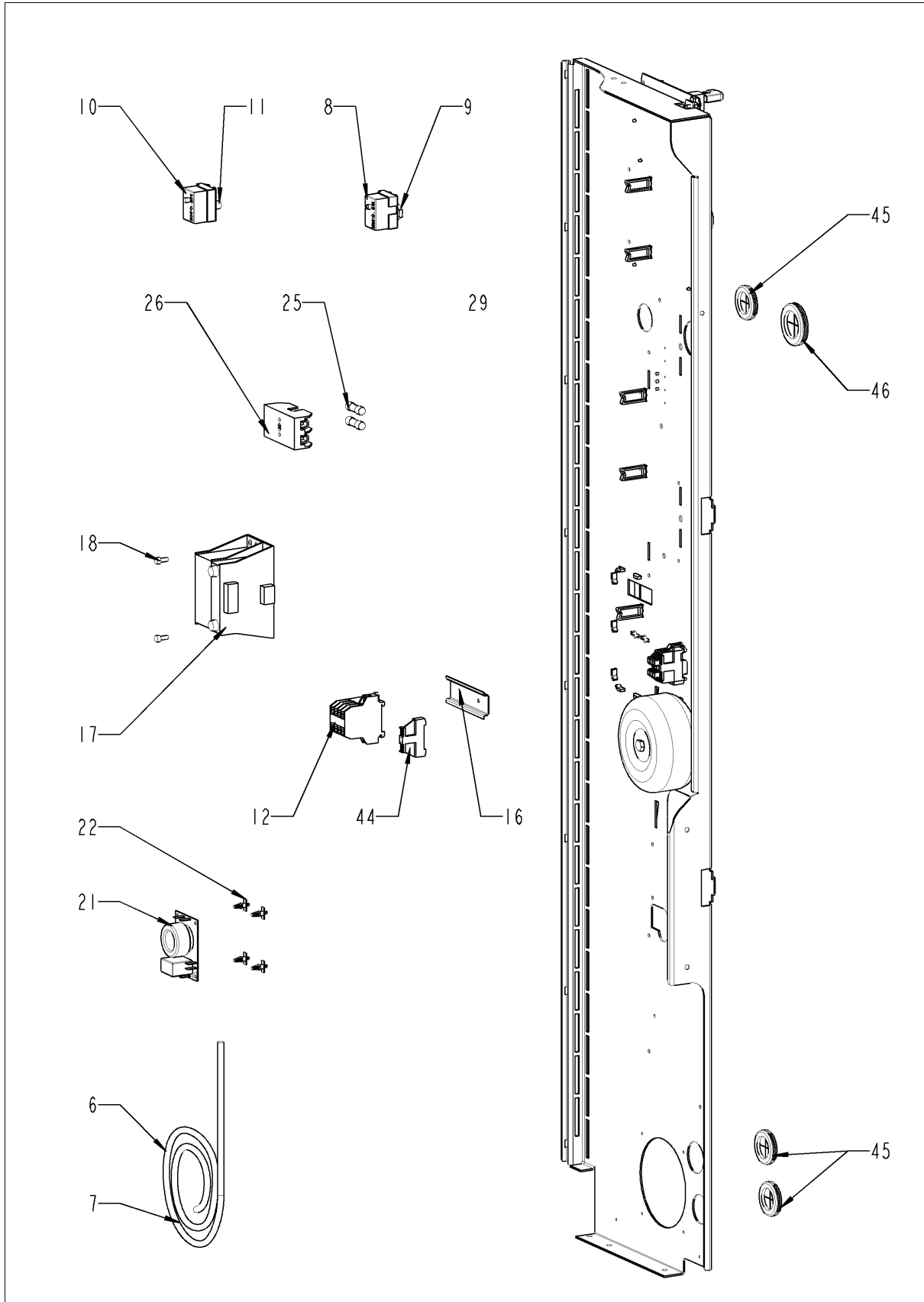
Electrical installation



Electrical installation

Pos.	Part No.	Description	Qty.
9	40.03.948	Cooling fan with NTC	1
11	40.03.425	Cooling fan	1
12	2005.0106	Protective grid for cooling fan	1
15	10.00.564	Pan head screw Torx T20 M4x45	2
16	42.00.160	Control pcb	1
17	42.00.128	SD-memory card 4GB	1
20	10.00.243	Spacer M4x8	1
21	1104.0121	Hex nut M4 self locking	1
22	40.03.756	Fixing clip f. pcb	1
23	40.03.533	Fixing clip f. pcb	4
24	40.04.089	Bus cable 1.15m	1
25	40.03.995	Bus cable 0.85m	1
26	40.03.996	Bus cable 1.15m	1
27	40.00.281	Power transformer	1
29	10.00.445	Hex screw M8x80	1
30	40.03.772	Transformer f. cooling fan	1
31	40.00.320	Cable connection M20x1.5	1
35	40.03.989	Loudspeaker K 64 WPT	1
36	40.01.597	Power supply cable 3xAWG14	1
38	40.03.995	Bus cable 0.85m	1
A		Electrical installation	1

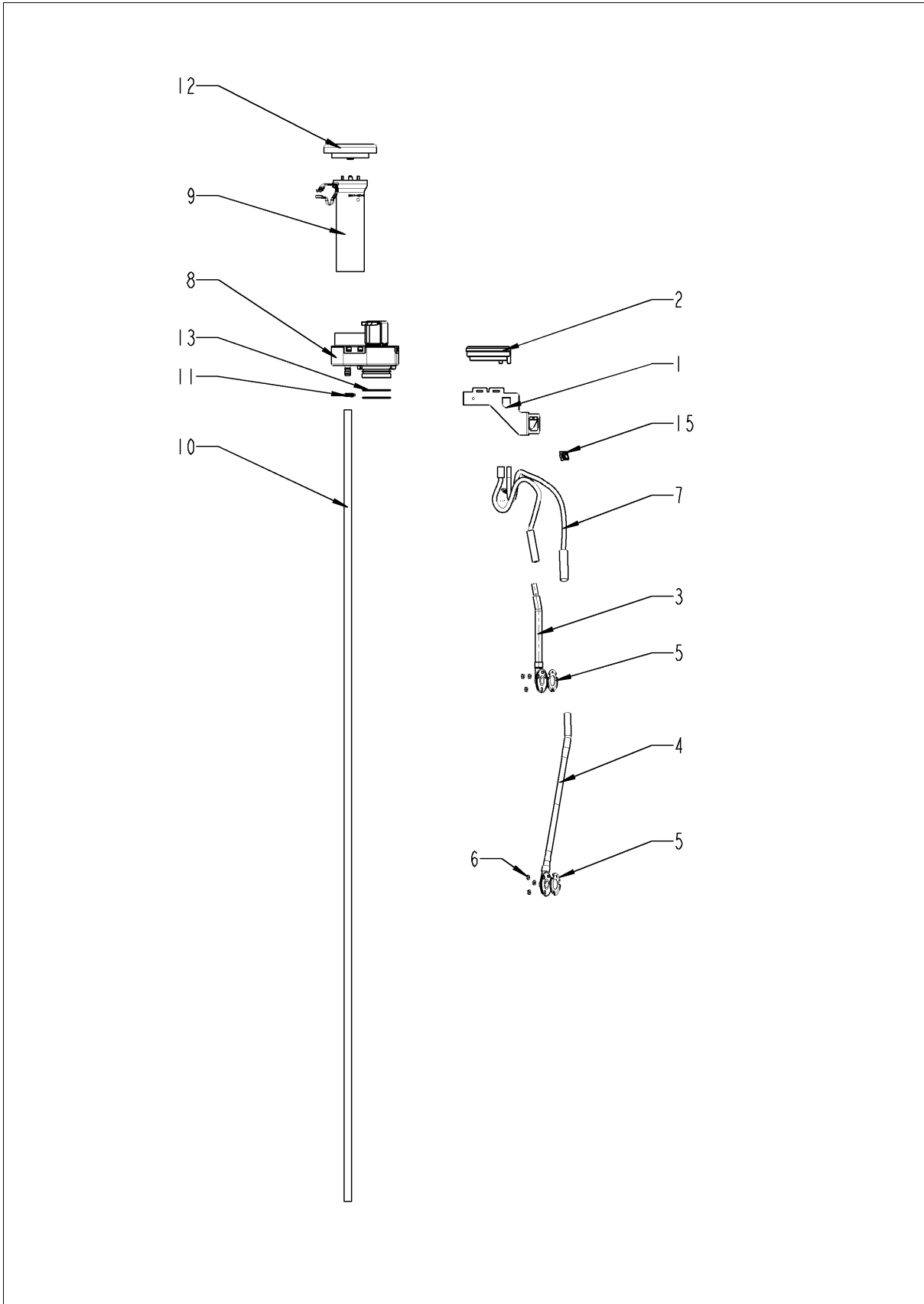
Electrical installation



Electrical installation

Pos.	Part No.	Description	Qty.
6	40.03.453	Cable control harness	1
7	40.03.474	Cable harness isolating transformer	1
8	40.02.515	Dry up protector 315°F/157°C	1
9	3014.0302	Hex nut M10 for dry-up protector	1
10	40.01.482	Safety temperature limiter 365°C	1
11	3014.0327	Hex nut M10x1,0	1
12	40.03.761	Contactor 3TG1010-3AK2	1
16	40.03.290	Installation rail for Contactor	1
17	40.03.348	Control transformer T1	1
18	10.01.065	Hex nut M5	1
20	10.00.709	Hex nut M6 w. locking	1
21	40.01.483	Electronic noise filter	1
22	40.01.579	Fixing clip f. pcb	4
25	40.01.873	Fuse SC-15A 10x38	2
26	40.02.512	Fuse holder 2x6.3A	1
26	40.01.487	Fuse holder 2pol	1
29	10.00.364	Pan head screw Torx M3x12	2
45	4007.0620	Membrane DGC 29	3
46	4007.0621	Membrane DGC 36	1

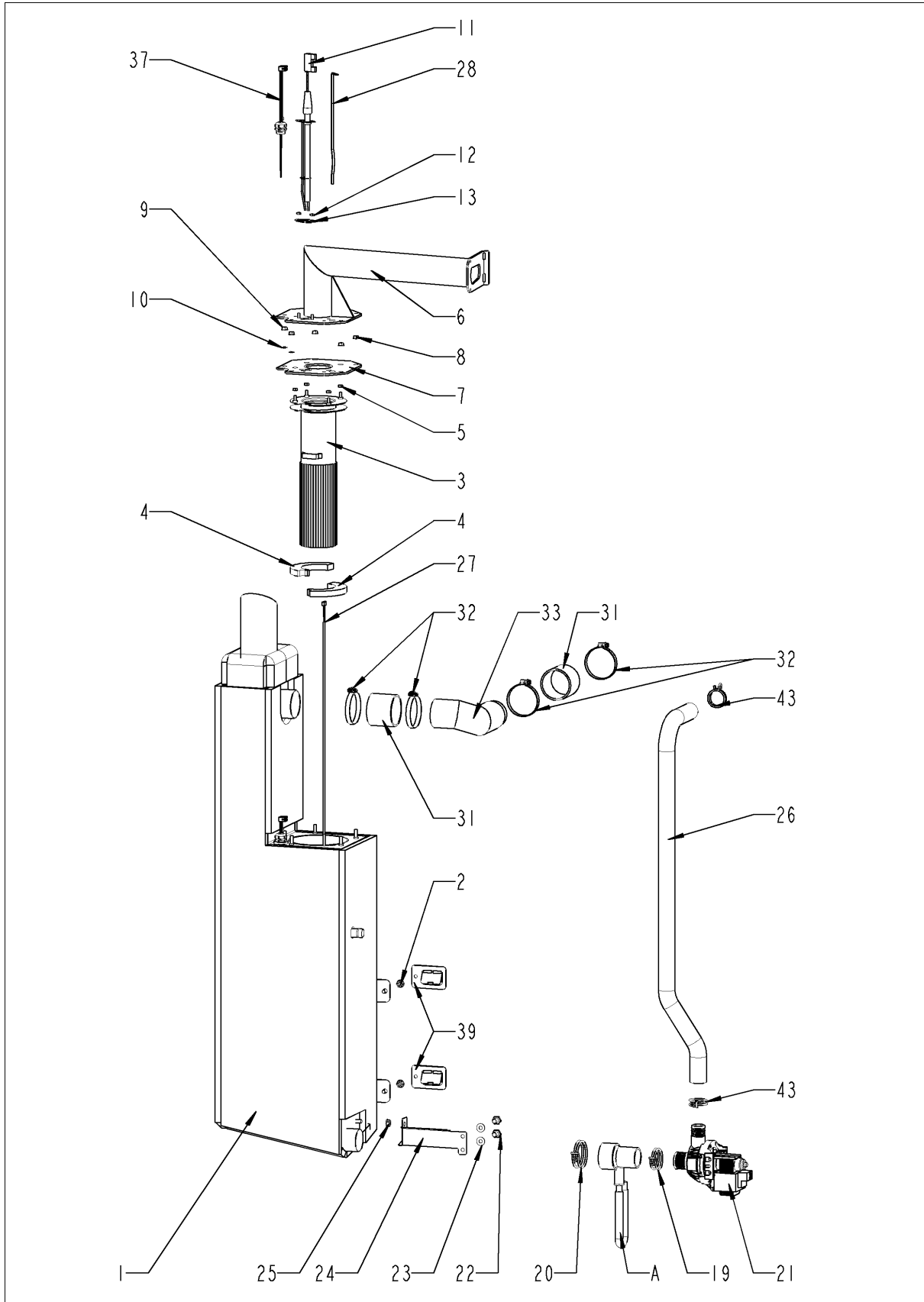
ClimaPlus



ClimaPlus

Pos.	Part No.	Description	Qty.
1	22.00.882	Mounting device f. pressure sensor	2
2	3017.1011	Pressure sensor for humidity control Huba 401	1
3	22.00.908	Inner humidity meas. Piece	1
4	22.00.850	Outer humidity meas. Piece	1
5	22.00.881	Gasket f. hum. meas. Pipe	2
6	1104.0122	Hex combination nut M4 galv	6
7	22.00.525	Hose set f. humidity control	1
8	22.00.725	Humidity control cpl.	1
9	22.00.916	Air inlet pipe	1
10	22.00.958	Drain hose for humidity control	1
11	2066.0527	Hose clamp ø14mm	2
12	22.00.767	Vent cover	1
13	22.00.837	O-ring for humidity control	2
15	10.00.111	Cable clip long	2

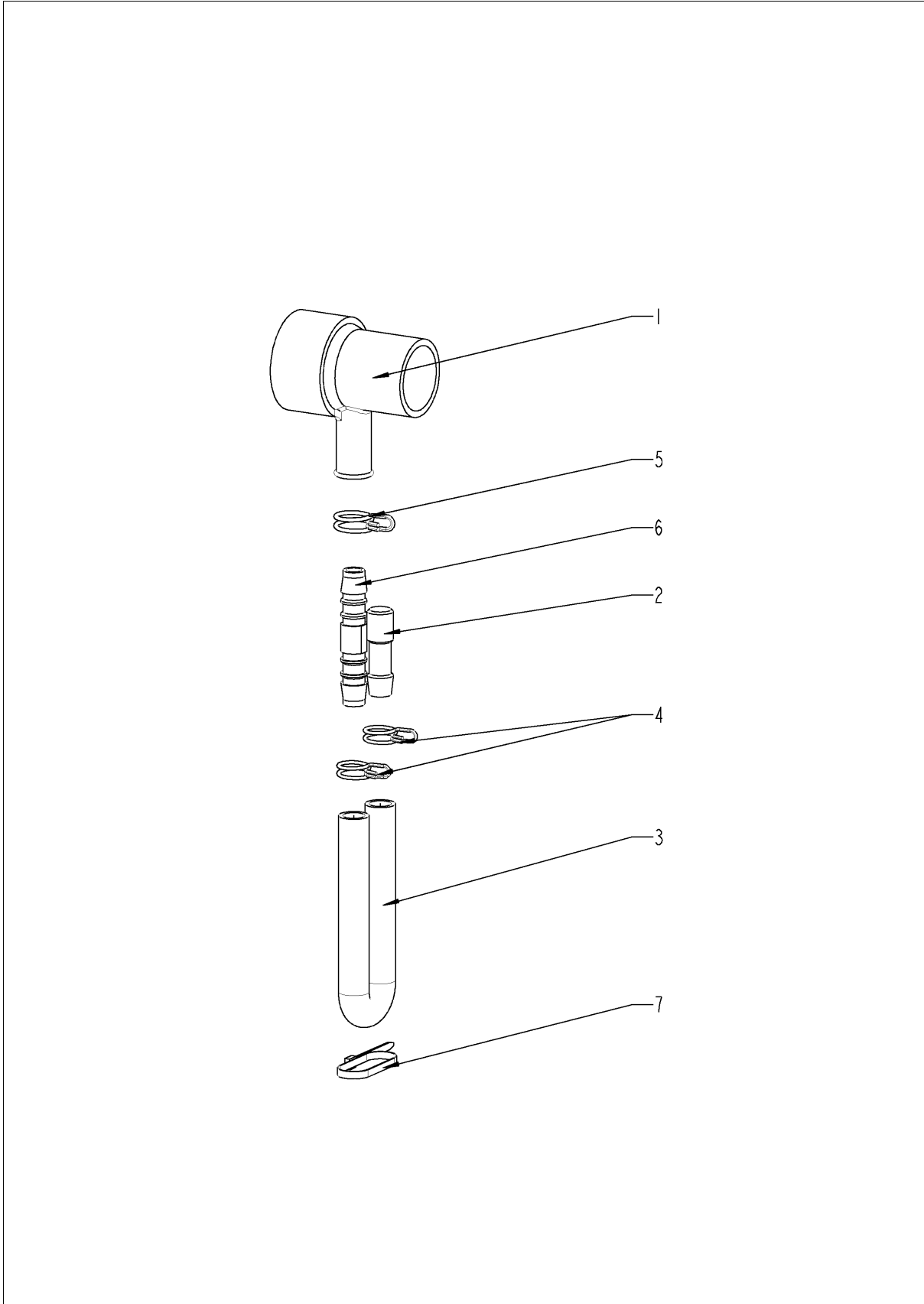
Steam generator



Steam generator

Pos.	Part No.	Description	Qty.
1	44.00.946	Steam generator insolated	1
2	10.00.709	Hex nut M6 w. locking	2
3	72.00.104	Burner steam gen.	1
4	72.00.077	Insulation f. burner steam gen.	2
5	1104.0122	Hex combination nut M4 galv	4
6	70.00.514	Burner pipe	1
7	72.00.067	Gasket f. burner carrier	1
8	1105.0121	Hex combination nut M5 galv	3
9	1105.0120	Hex nut M5	2
10	1205.0120	Tooth lock washer A5,3	2
11	44.01.237	Ignition electrode steam generator	1
12	1104.0120	Hex nut M4	2
13	44.00.250	Gasket f. ignition electrode	1
19	2066.0519	Hose clamp 35,6mm	1
20	2066.0526	Hose clamp ø46mm	1
21	44.00.207	Emptying pump	1
22	1006.0762	Hex screw M6x10	2
23	1306.0222	Washer A6,4x15x1,5	2
24	44.01.248	Fixing device f. pump steam generator	1
25	10.00.709	Hex nut M6 w. locking	2
26	44.01.229	Drain hose steam generator	1
27	40.04.111	Thermocouple steam generator *B5*	1
28	44.00.518	Fixing plate steam generator thermostat	1
31	2112.1006	Steam hose 50x7mm	2
32	2066.0504	Hose clamp 40-60mm	4
33	44.01.139	Steam pipe	1
37	44.01.370	Filling level electrode 175mm	1
39	44.01.181	Fixing angle steam generator	2
43	2066.0518	Hose clamp 30mm	2
A	8354.1320	Pump connection spout cpl.	1

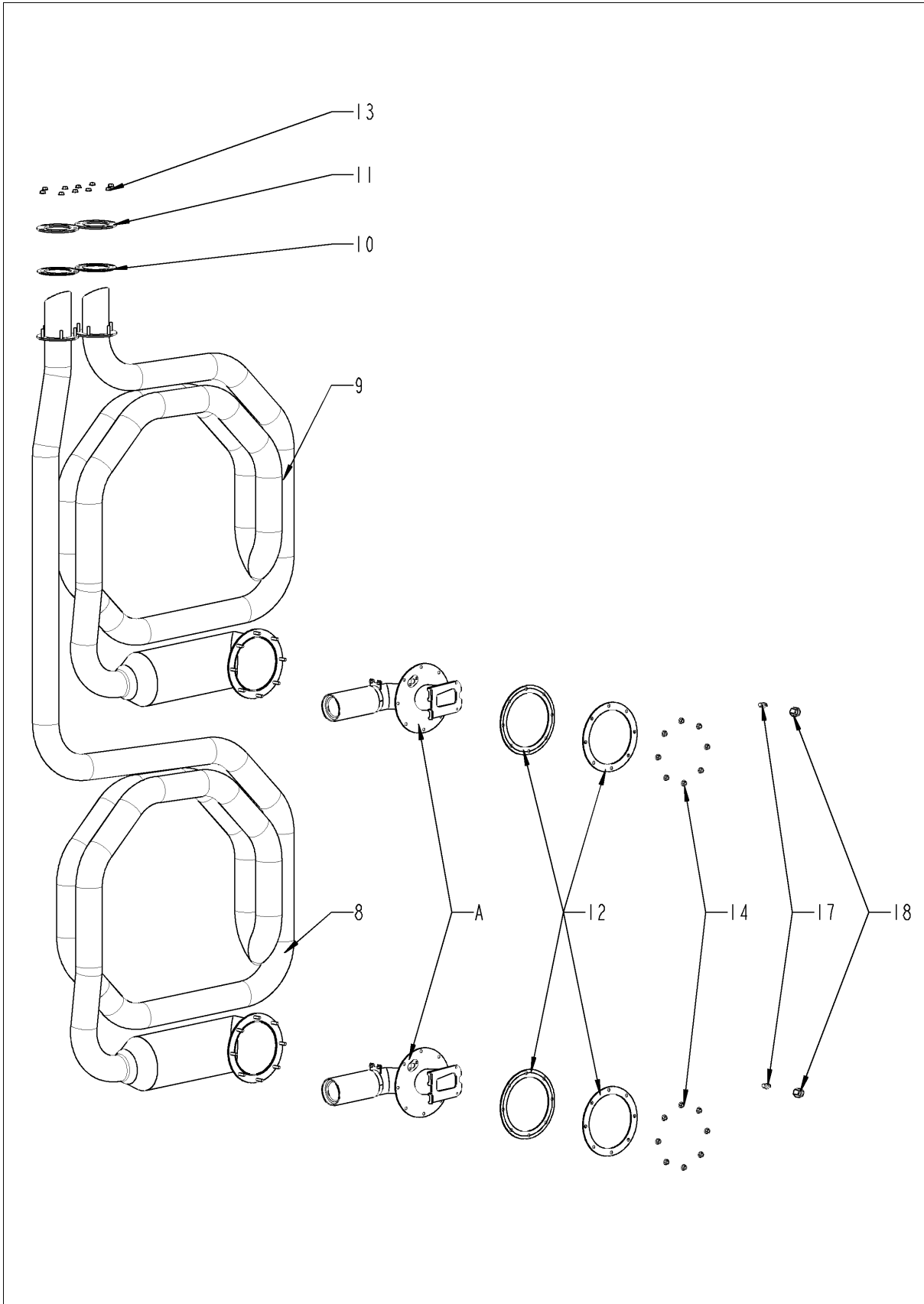
Pump connection spout



Pump connection spout

Pos.	Part No.	Description	Qty.
1	2118.1000	Pump connection spout	1
2	2120.1259	Stop plug 10mm	1
3	2110.1008	Silicon hose ø10x2mm	1
4	2066.0527	Hose clamp ø14mm	2
5	2066.0530	Hose clamp ø16.4mm	1
6	2062.0331	Junction pressure hose GS 10	1
7	4005.0101	Tie rap 145 mm	1

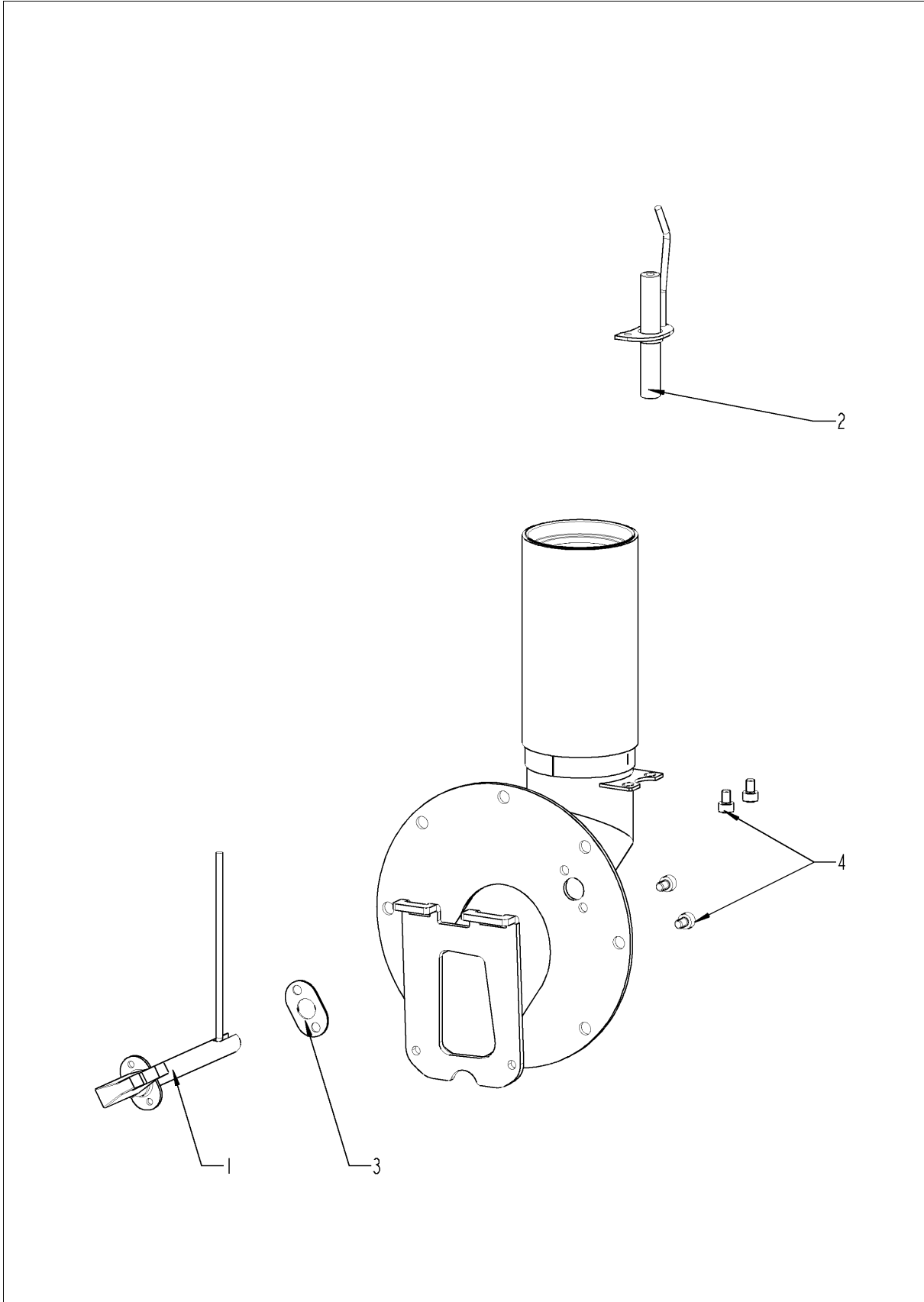
Hot air heating



Hot air heating

Pos.	Part No.	Description	Qty.
8	74.00.794	Hot air heat exchanger below	1
9	74.00.798	Hot air heat exchanger top	1
10	74.00.814	Gasket hot air heat exchanger/interior cabinet	2
11	74.00.813	Mating flange heat exchanger	2
12	74.00.296	Gasket f. heat exchanger below	4
13	10.01.065	Hex nut M5	10
14	10.01.065	Hex nut M5	16
17	50.00.844	Nozzle f. moistening	2
18	50.00.846	Union nut M12x13.2 N	2
A	74.00.789	Burner hot air	2

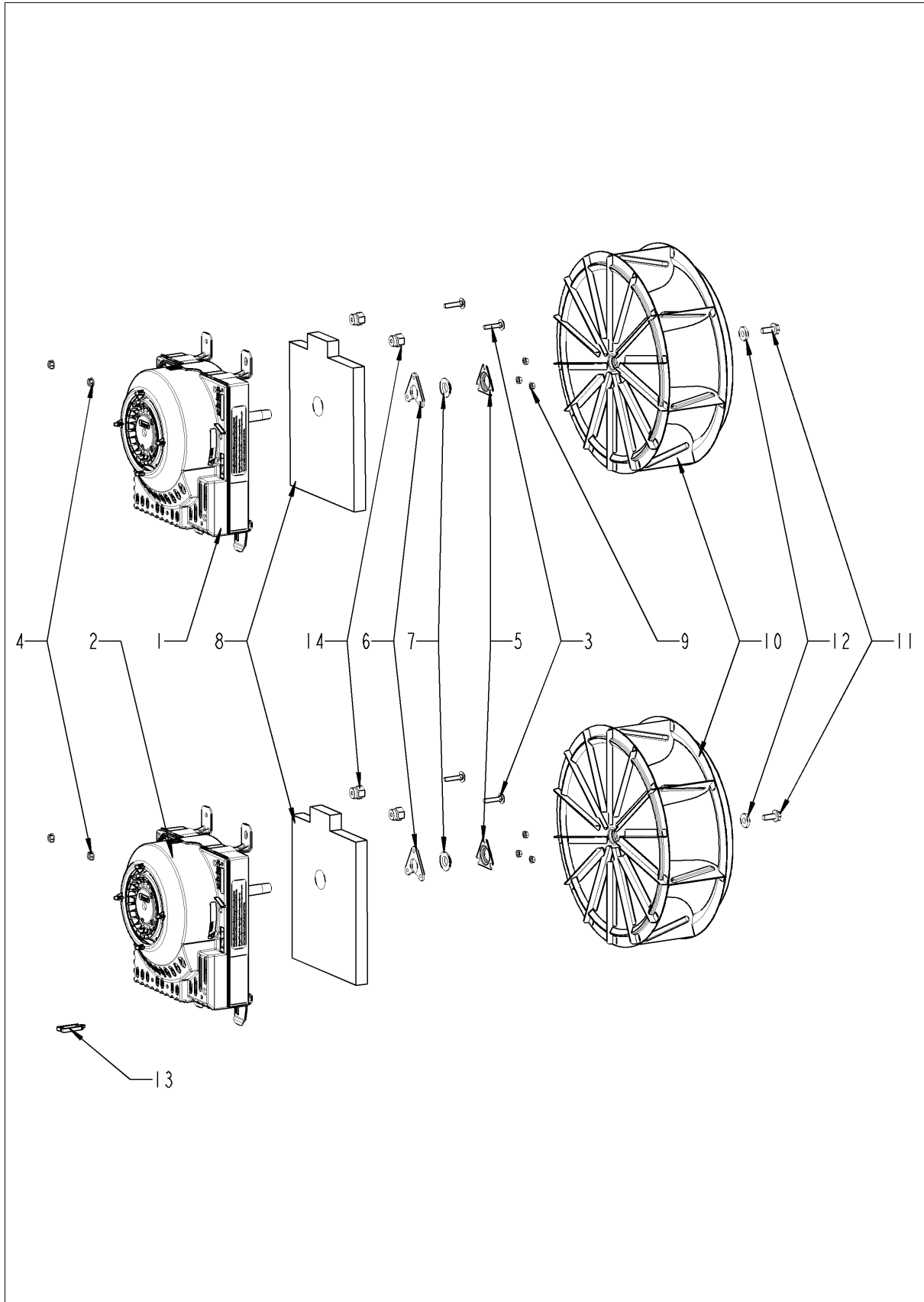
Burner hot air



Burner hot air

Pos.	Part No.	Description	Qty.
1	74.00.034	Ignitionelectrode, hot air	1
2	74.00.873	Earth electrode, hot air	1
3	74.00.290	Gasket electrode hot air	1
4	10.00.696	Allen screw M4x6 w. Precoat 85	4

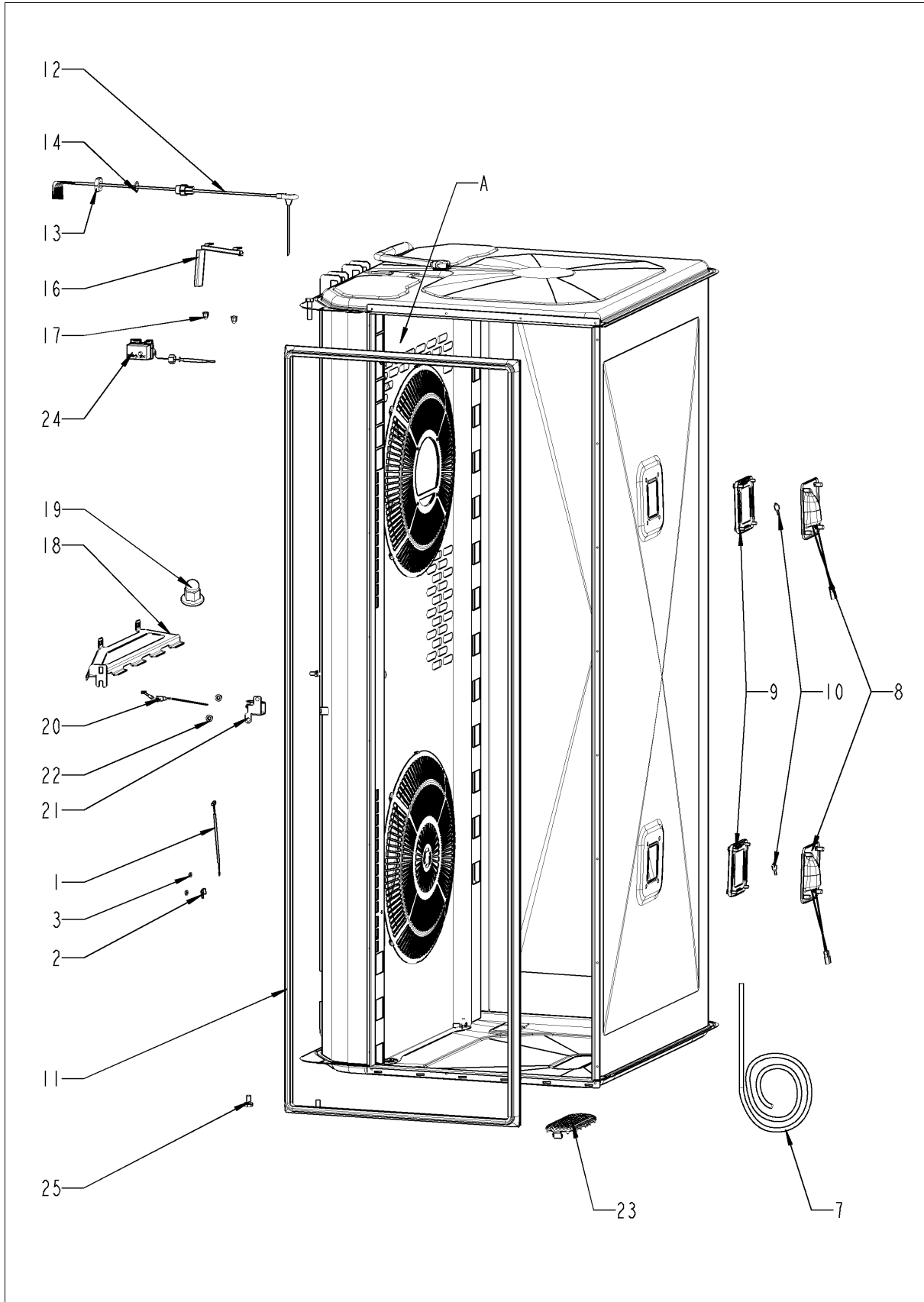
Motor and fan wheel



Motor and fan wheel

Pos.	Part No.	Description	Qty.
1	40.03.378	Fan motor	1
2	40.03.378	Fan motor	1
3	10.01.049	Square necked mushroom head bolt 6x30	8
4	10.00.709	Hex nut M6 w. locking	4
5	22.00.721	Flange f. motor shaft gasket	2
6	22.00.722	Mounting support f. gasket flange	2
7	22.00.083	Motor shaft gasket	2
8	20.01.755	Isolation for mounting plate for motor	2
9	10.01.065	Hex nut M5	6
10	22.00.828	Fan wheel	2
11	10.00.565	Hex screw M8x20	2
12	1308.0162	Washer A8,4	2
13	10.00.112	Cable clip short	1
14	20.01.411	Bushing for motor mounting bar	8

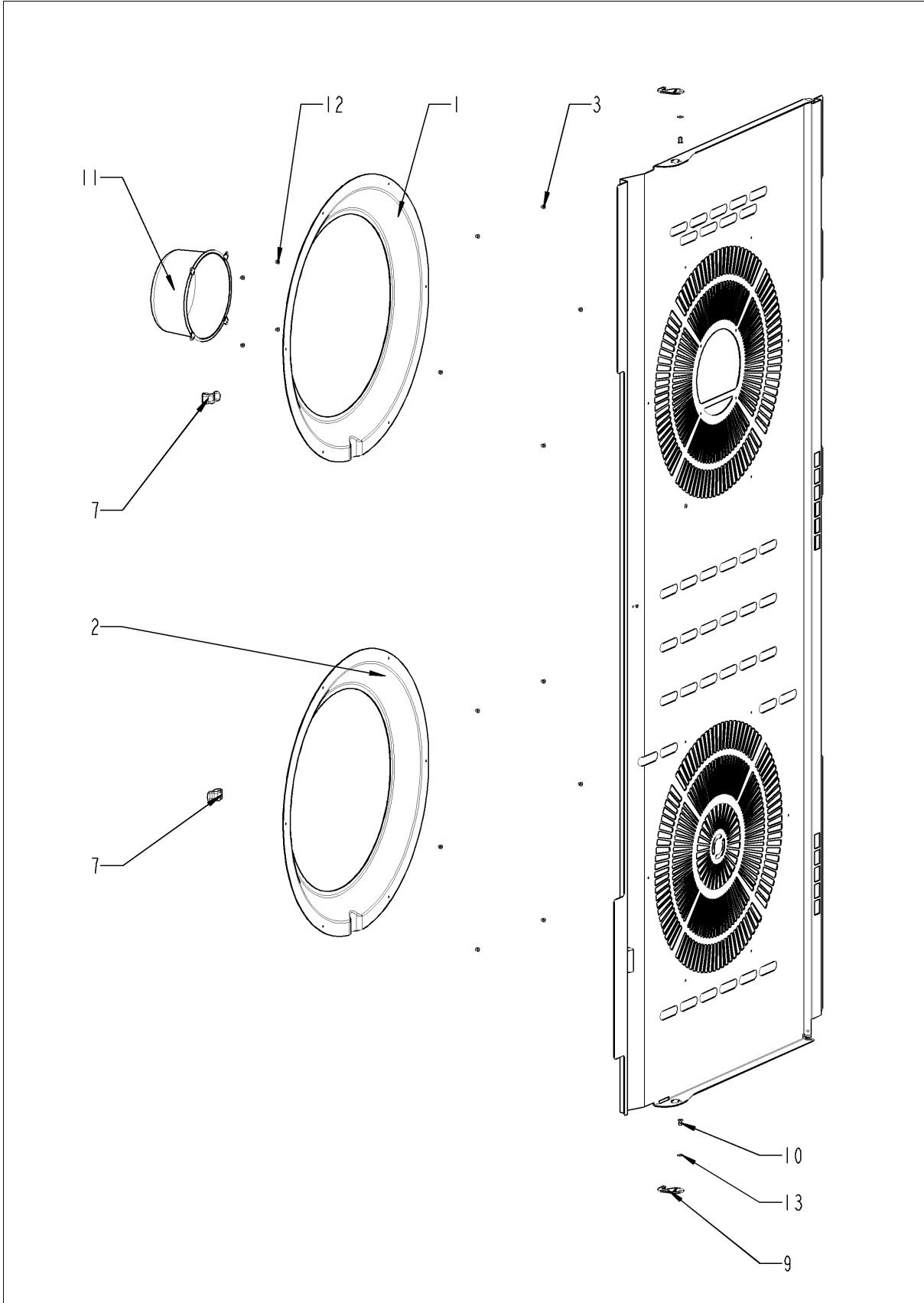
Interior cabinet



Interior cabinet

Pos.	Part No.	Description	Qty.
1	40.00.399	Thermocouple humidity	1
2	10.00.087	Clamp strap f. sensor	1
3	10.00.100	Hex nut M4, self-locking	1
7	40.03.532	Wiring interior light	1
8	40.00.098	Reflector f. interior light	2
9	40.00.091	Gasket frame w. glass a. gaskets	2
10	3024.0201	Halogen bulb 300°C	1
10	3024.0201	Halogen bulb 300°C	1
11	20.00.398	Door gasket	1
12	40.02.101	Meat probe sensor	1
13	10.00.612	Hex nut M16 flat	1
14	1315.0104	Copper washer 16x20x1,5	1
16	40.01.317	Screen core temperature sensor	1
17	10.01.076	Cap nut M5*A2	2
18	22.00.779	Air baffle support	1
19	10.01.076	Cap nut M5*A2	4
20	40.03.528	Thermocouple interior cabinet B1	1
21	40.03.782	Screen interior cabinet sensor	1
22	10.01.076	Cap nut M5*A2	2
23	54.01.117	Outlet sieve	1
24	40.01.482	Safety temperature limiter 365°C	1
25	3014.0327	Hex nut M10x1,0	1
A	22.00.749	Air baffle	1

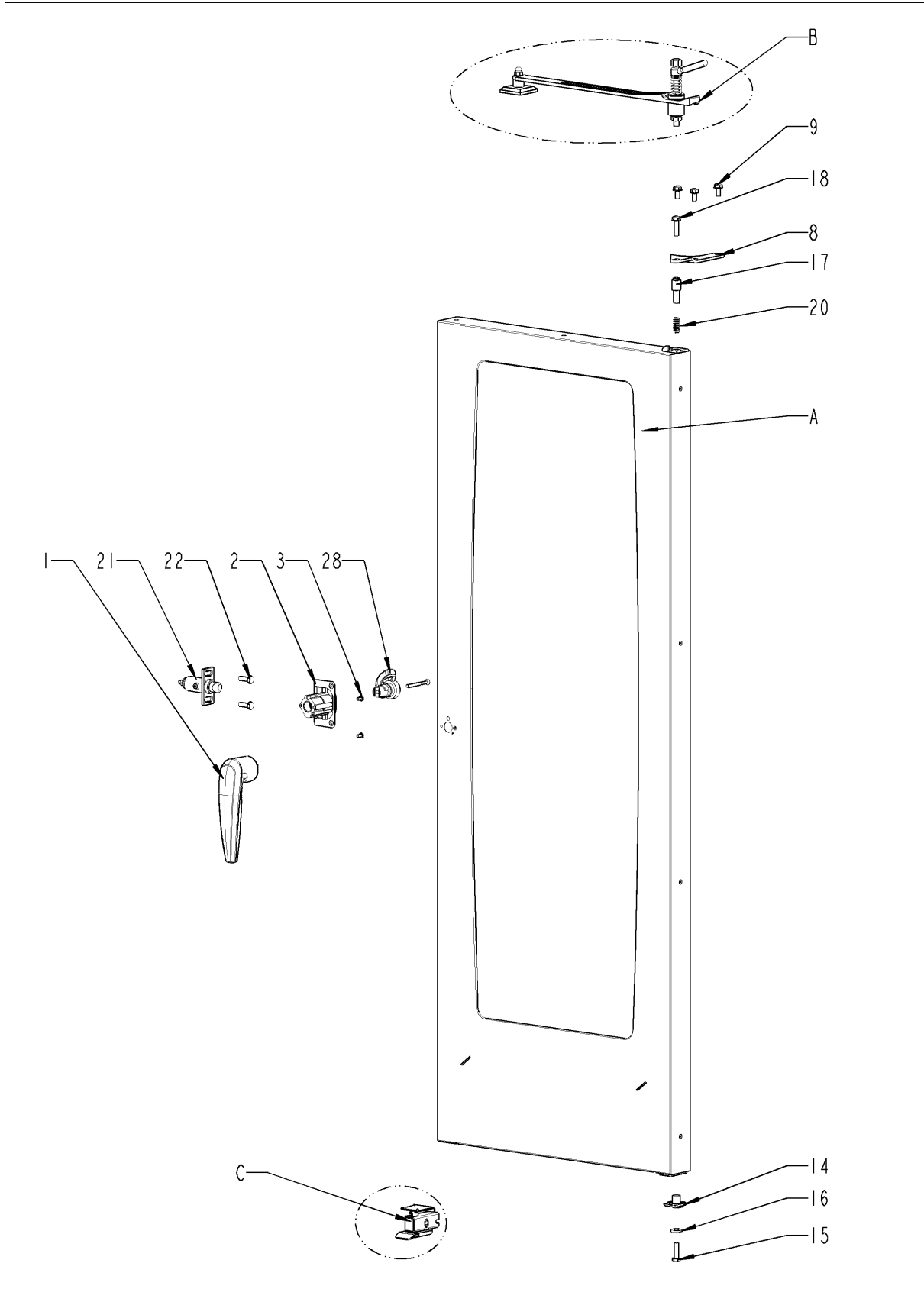
Air baffle



Air baffle

Pos.	Part No.	Description	Qty.
1	22.00.835	Air sucking ring f. air baffle	1
2	22.00.835	Air sucking ring f. air baffle	1
3	10.00.515	Rivet 3,2x5 A4	12
7	40.03.780	Fixing clip core temp. cable	3
8	22.00.491	Surge guard for Meat probe sensor	1
9	2760.1370	Latch hook for air baffle	2
10	1604.0167	Rivet 4x10	3
11	22.00.361	Deep-draw f. air baffle	1
12	10.00.515	Rivet 3,2x5 A4	4
13	10.00.744	Washer A4,3 *A4	1

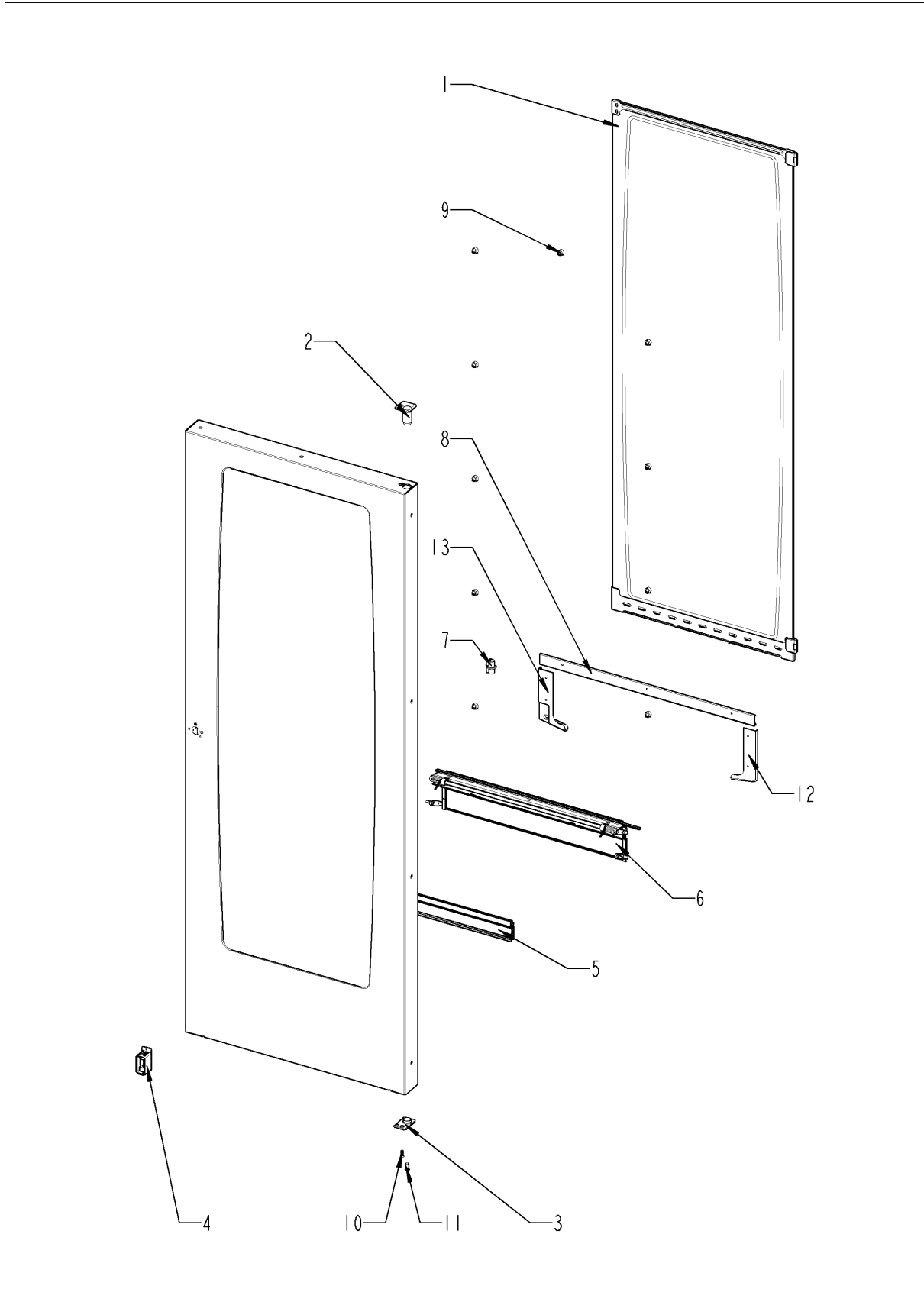
Door



Door

Pos.	Part No.	Description	Qty.
1	24.00.136	Door handle	1
2	24.01.350	Door lock	1
3	10.00.697	Hex screw M5x10 w. precoat 85	2
4	1305.0160	Washer A5,3x10mm	2
5	10.00.090	Cap f. Torx T30	1
7	10.00.696	Allen screw M4x6 w. Precoat 85	2
8	24.00.133	Door mounting support top	1
9	1008.0768	Ornamental screw M8x16	3
14	24.00.145	Door bolt	1
15	1008.0766	Hex screw M8x30	1
16	1308.0162	Washer A8,4	1
17	24.00.048	Door bolt	1
18	1008.0769	Ornamental screw M8x30	1
20	2001.0109	Compression spring	1
21	24.01.351	Door catch	1
22	1008.0761	Hex screw M8x25	2
28	87.00.540	Door bolt cpl.	1
A	24.00.121	Door	1

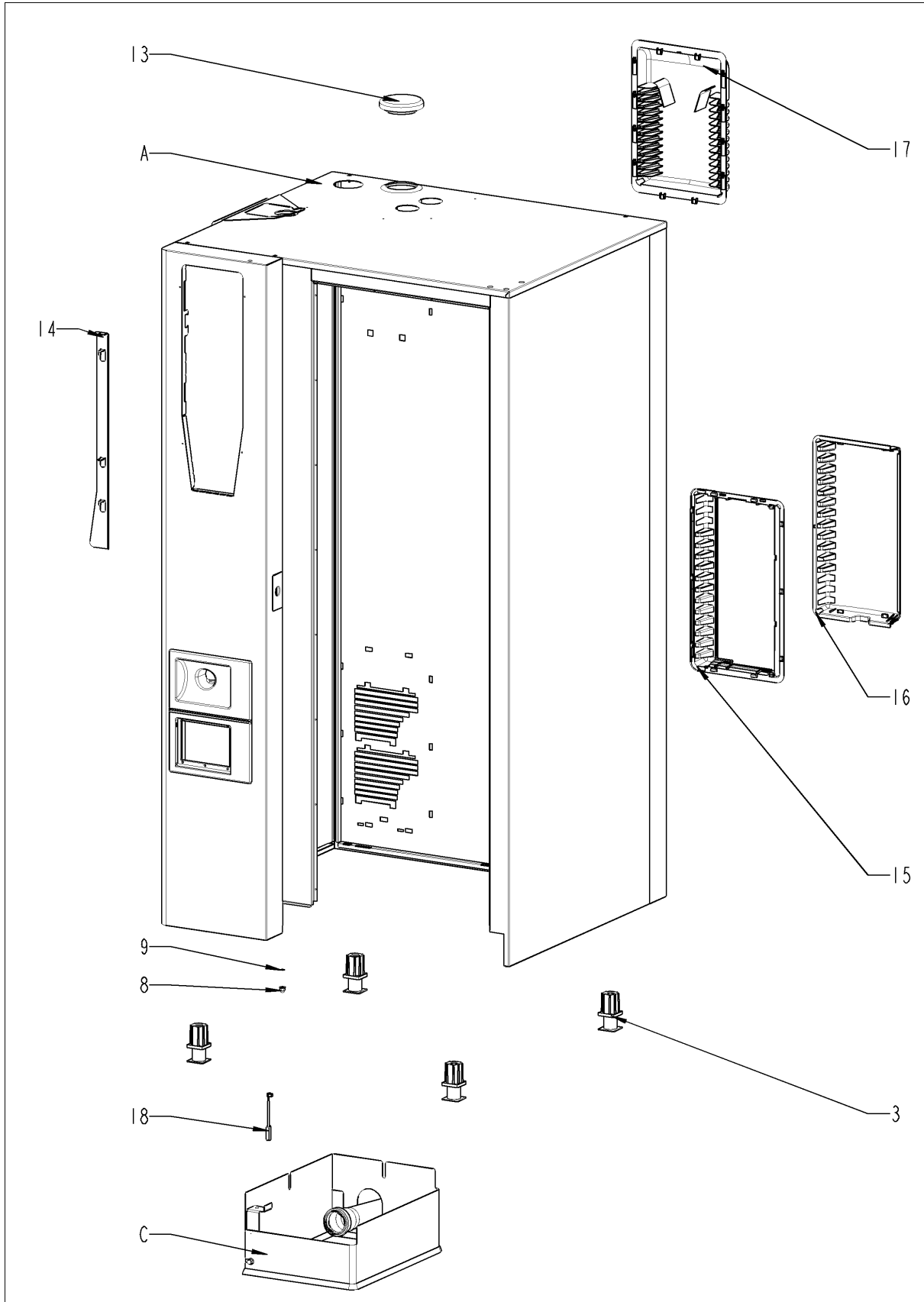
Door



Door

Pos.	Part No.	Description	Qty.
1	24.00.210	Inner glass pane	1
2	24.00.147	Sleeve for door bolt top	1
3	24.00.159	Door setting bolt	1
4	24.01.346	Fixing device f. magnet with magnet, adjustable	1
5	24.00.187	Gasket glass pane/trolley	1
6	24.00.177	Pre heat mechanism f. door cpl.	1
7	24.00.507	Fixing device middle f.inter. glass pane	1
8	24.00.700	Additional gasket f. trolley	1
9	24.01.259	Plastic buffer 8,1mm for door	1
10	1005.1966	Countersunk screw Torx M5x16	2
11	10.00.041	Rivet nut M5 hexagon closed	2
12	24.01.234	Bracket right f. door floor model	1
13	24.01.347	Bracket left f. door floor model	1

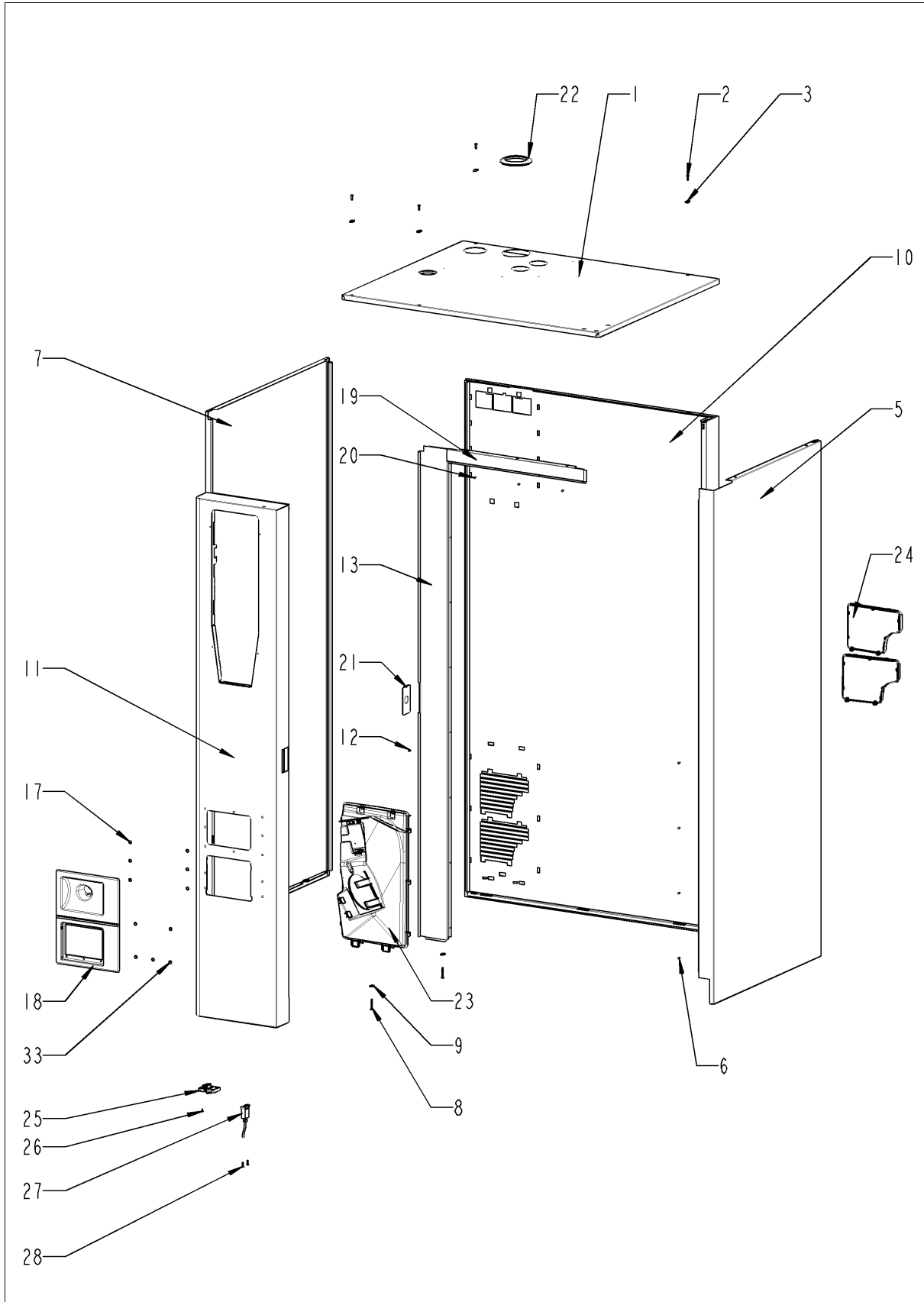
Exterior cabinet



Exterior cabinet

Pos.	Part No.	Description	Qty.
3	2039.0111	Foot adjustable, metal, 40 x 40	4
8	10.00.745	Cap nut M6*A2	1
9	1206.0120	Tooth lock washer A6,4	1
13	22.00.767	Vent cover	1
14	16.01.965	Opening mechanism for panel insert	1
15	40.03.385	Frame for air inlet filter	1
16	40.03.392	Cover for air inlet filter	1
17	40.03.366	Cover air outlet	1
18	40.00.454	Door switch 1.65m	1
A		Exterior cabinet	1
C	12.01.142	NSF housing floor units 201-202	1

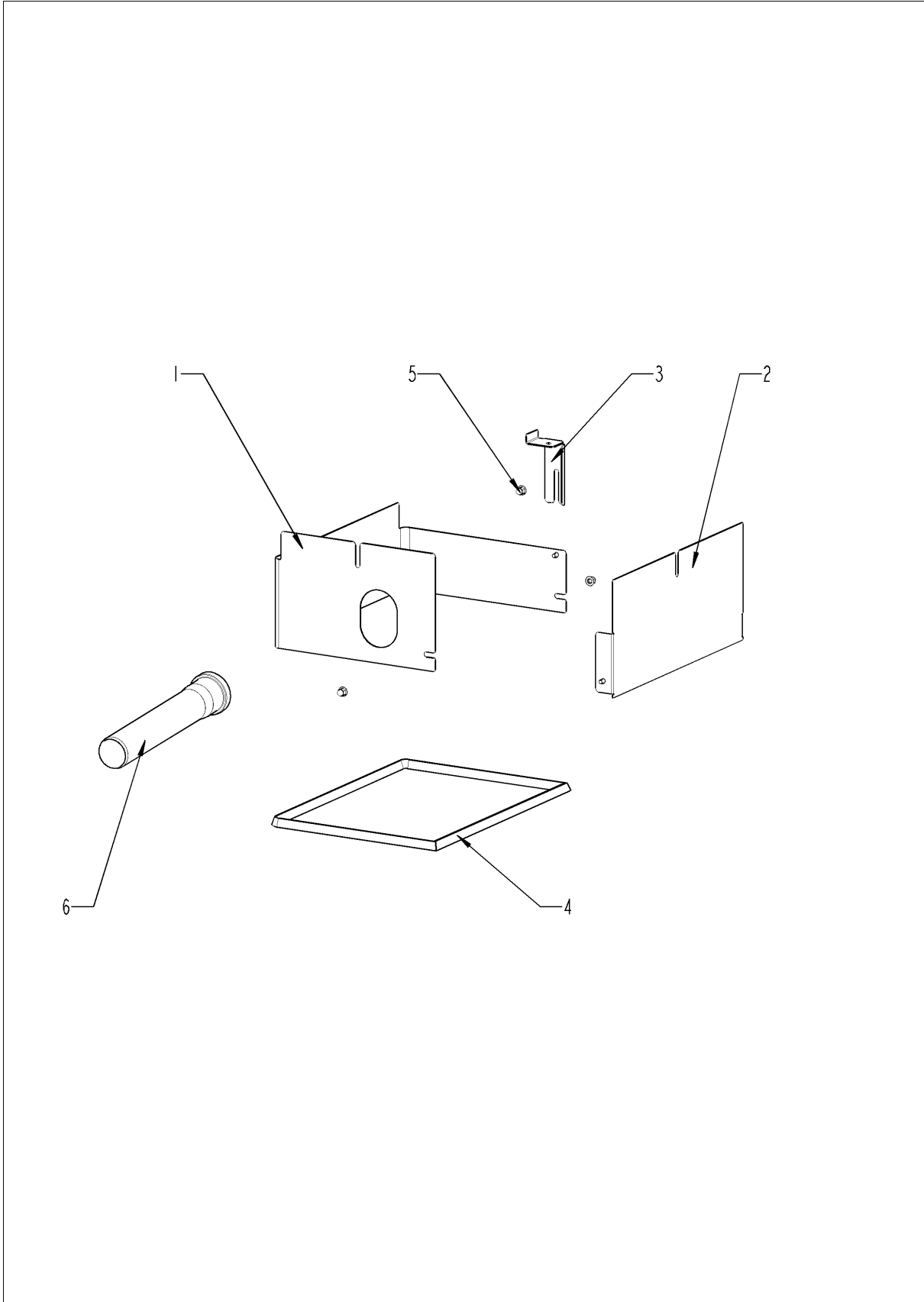
Exterior cabinet



Exterior cabinet

Pos.	Part No.	Description	Qty.
1	16.02.168	Top cover	1
2	1003.2265	Countersunk self tapping screw 4,2x16	4
3	1104.0820	Snap nut 4,2mm	4
4	1004.2160	Hex self tapping screw 4,2x16	4
5	16.00.142	Side panel right	1
6	1603.0166	Rivet 3,2x7,9 CNS closed	8
7	16.00.143	Side panel left	1
8	10.00.992	Hex self tapping screw B4,2x32	2
9	1104.0820	Snap nut 4,2mm	2
10	16.01.843	Back panel	1
11	16.01.863	Front panel	1
12	1603.0166	Rivet 3,2x7,9 CNS closed	8
13	16.00.358	Crossbar front panel	1
14	10.00.745	Cap nut M6*A2	2
18	16.01.942	Tulip for handshower	1
19	16.00.330	Crossbar top	1
20	1603.0166	Rivet 3,2x7,9 CNS closed	4
21	24.02.263	Cover for door latch	1
22	16.01.579	Gasket f. breather tube d=79mm	1
23	40.03.262	Fan housing	1
24	40.02.684	Air inlet filter cpl.	2
25	16.00.329	Cover f. USB interface	1
26	10.00.103	EJOT PT-screw KA 3.5x10	1
27	40.04.047	Interface cable USB 1.6m	1
28	10.00.460	EJOT PT-Screw Torx 3,5x14	2
33	1107.0100	Star lock ø4	12

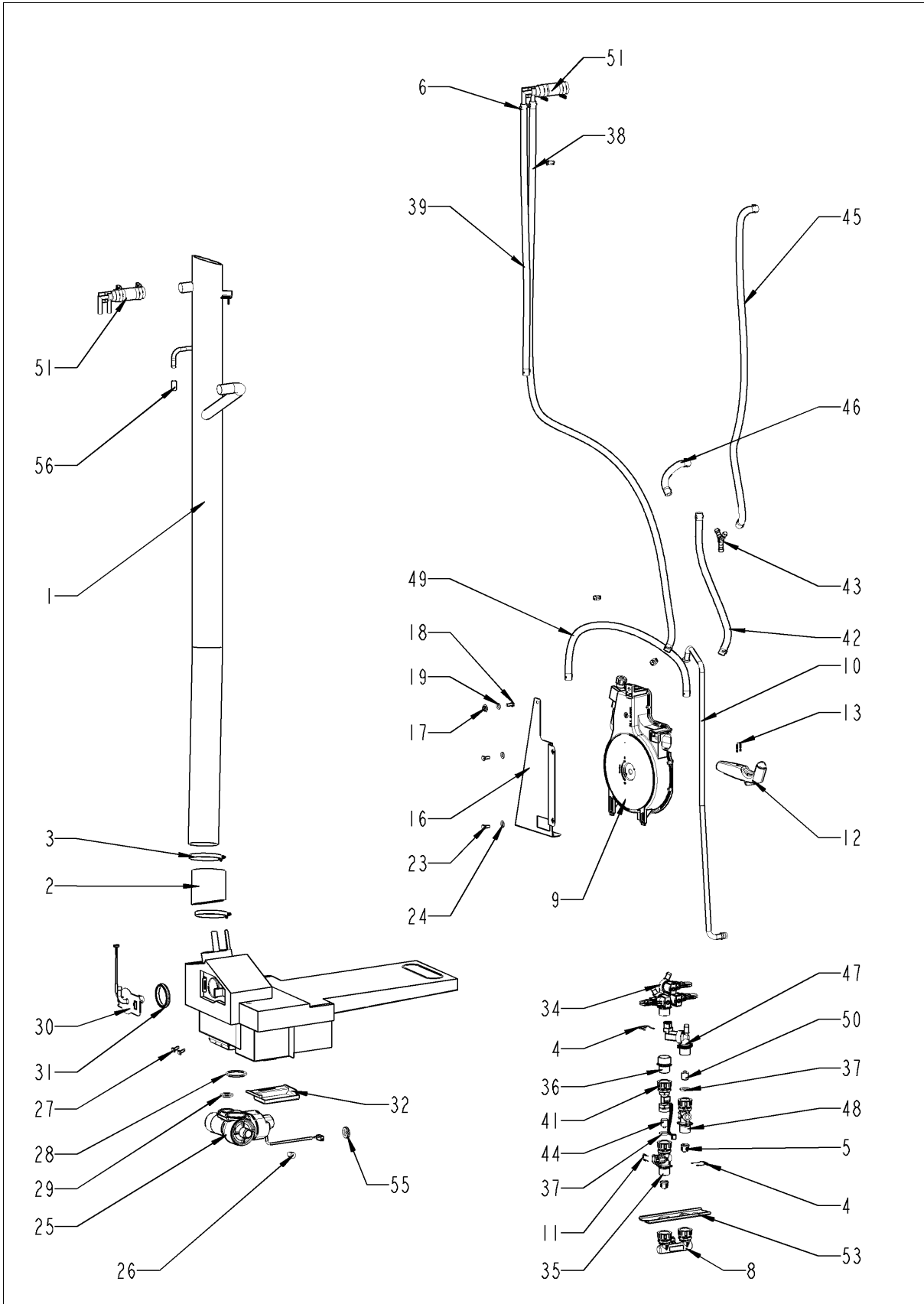
NSF housing floor units 201-202



NSF housing floor units 201-202

Pos.	Part No.	Description	Qty.
1	12.01.153	NSF housing right floor units 201-202	1
2	12.01.154	NSF housing left floor units 201-202	1
3	12.01.151	Fixing angle NSF housing floor units 201-202	1
4	12.01.140	Gasket NSF housing floor units 201-202	1
5	10.00.745	Cap nut M6*A2	3
6	2070.0054	HT pipe, DN 50, 250 mm	1

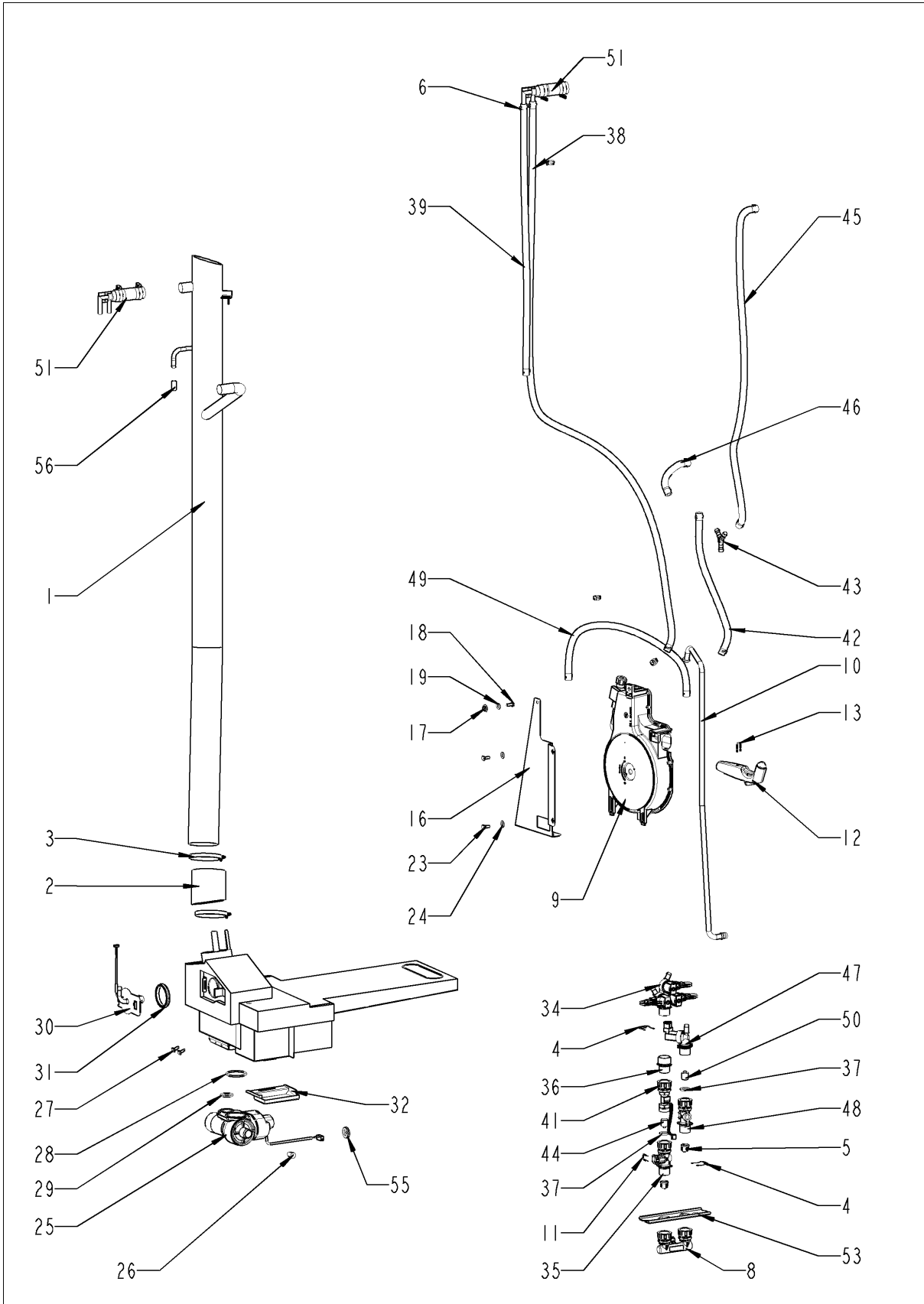
Water



Water

Pos.	Part No.	Description	Qty.
1	54.01.054	Ventilation pipe	1
2	54.01.045	Hose 76x5mm	1
3	2066.0505	Hose clamp 70-90mm	2
6	2066.0205	Hose clamp 8-16x9 mm SW 7mm	3
8	8664.1301	T-fitting water connection	1
9	50.01.239	Hand shower roll guide *lead free*	1
10	50.01.213	Connect. pipe f. hand shower roll guide	1
10	50.01.373	Connect. pipe f. hand shower roll guide	1
11	50.00.085	Plug-in spring f. hand shower roll guide	1
12	50.00.130	Hand shower	1
13	50.00.156	Clamp f. hand shower roll guide	1
16	50.00.278	Mounting device f. hand sh. roll guide	1
17	1106.0803	Hex combination nut M6 galv	1
18	1006.0760	Hex screw M6x16	1
19	1306.0222	Washer A6,4x15x1,5	1
20	50.00.548	Hose ø10x2x500 f. hand shower	1
21	2066.0527	Hose clamp ø14mm	1
22	10.00.661	Edge protection profile	1
23	10.00.099	Hex screw M8x12	2
24	1308.0160	Washer A8,4	2
25	54.01.291	Ball valve drain SCC cpl.	1
26	10.00.369	Plug cone shaped	1
27	10.00.449	Pan head screw M6x16	2
28	10.00.511	O-ring for ball valve drain 46x3.5	1
29	10.00.512	O-ring for ball valve drain 26x3.5	1
30	54.01.253	Inspection lid, quenching nozzle, B2	1
31	54.01.168	Gasket f. inspection lid quenching	1
32	54.01.191	Collecting pan	1
33	10.00.745	Cap nut M6*A2	1
34	50.01.050	Triple solenoid valve	1
35	50.00.072	Water distribution vert roll guide con.	1
36	2062.0333	Housing for non returne valve	1
37	5110.1024	Gasket for G3/4" threaded joint	1
38	2067.0050	Pressure hose d10mm	1.85
39	2067.0050	Pressure hose d10mm	.82
41	50.01.195	Water volume sensor with wire	1

Water



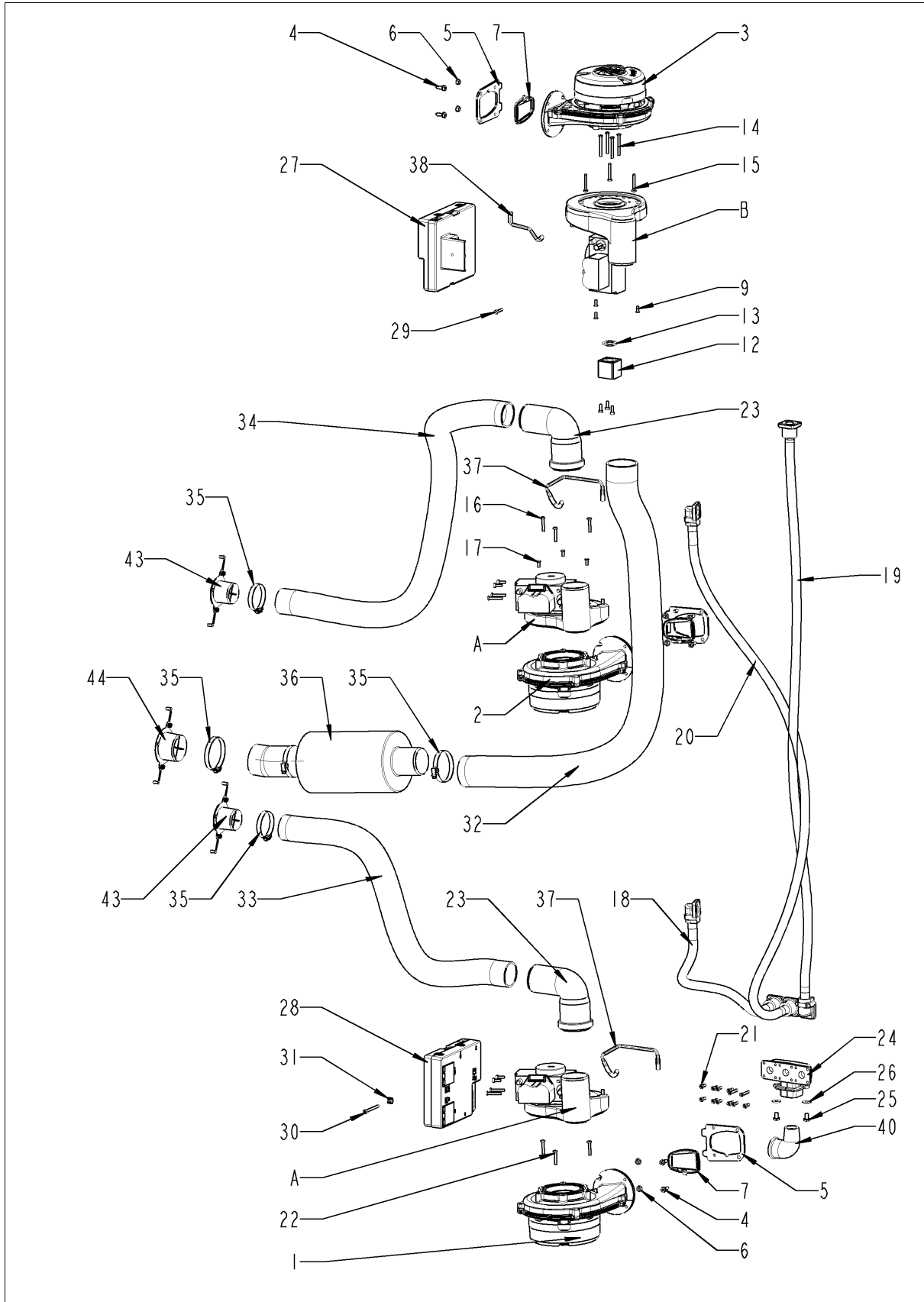
Water

Pos.	Part No.	Description	Qty.
42	2067.0050	Pressure hose d10mm	.4
43	2062.0303	Y-fitting YS10	1
44	2069.0107	Non return valve DN6 steam generator	1
45	2067.0050	Pressure hose d10mm	.82
46	2067.0050	Pressure hose d10mm	.31
47	50.01.146	Single solenoid valve	1
48	50.00.073	Water distribution vert w/o roll guide con.	1
49	2067.0050	Pressure hose d10mm	.7
50	50.00.078	Non return valve DW16/DN12	2
51	8354.1304	Venting valve for steam generator	1
52	1900.0202	Water filter	3
53	50.01.544	Mounting device f. water distribution	1
54	50.00.086	Locking plate f. water distribution	2
55	2022.0101	Grommet d8mm	1
56	10.00.991	Sealing cap	1

CleanJet + Care

Pos.	Part No.	Description	Qty.
1	56.00.186	Pump f. cleaning UP30	1
2	12.00.897	Housing f. Cleaning pump	1
3	1004.0666	Hex screw M4x10	1
4	56.00.175	Pressure hose f. cleaning	1
5	2066.0518	Hose clamp 30mm	1
6	2066.0521	Hose clamp 27mm	1
7	56.00.176	Suction hose f. cleaning	1
8	2066.0518	Hose clamp 30mm	2
11	10.00.980	EJOT PT-Screw K30x10	5
12	56.00.507	Care container floor unit	1
13	56.00.462	Bushing care container/pump	1
14	10.00.984	Hose clamp CLIC d=27.5mm	2
15	56.00.460	Pump f. CareControl DPS 35	1
16	56.00.541	Care hose 1	1
17	2066.0518	Hose clamp 30mm	1
21	56.00.537	Pipe f. Care hose	1
22	10.00.983	Hose clamp CLIC d=23mm	1
23	56.00.420	Care hose 2	1
24	10.00.605	Hose clamp ø25.3	1
25	10.00.979	Cable clamp D=22	1
26	10.00.916	Hex nut M4 w. locking	1
27	1004.0666	Hex screw M4x10	2
28	1204.0120	Tooth lock washer A4,3	2
29	56.00.512	Flap Care container	1
34	12.00.291	Mounting for housing of Cleaning pump	1
35	2067.0050	Pressure hose d10mm	1.2
37	56.00.373	Emergency overflow-tube	1
38	10.00.605	Hose clamp ø25.3	1

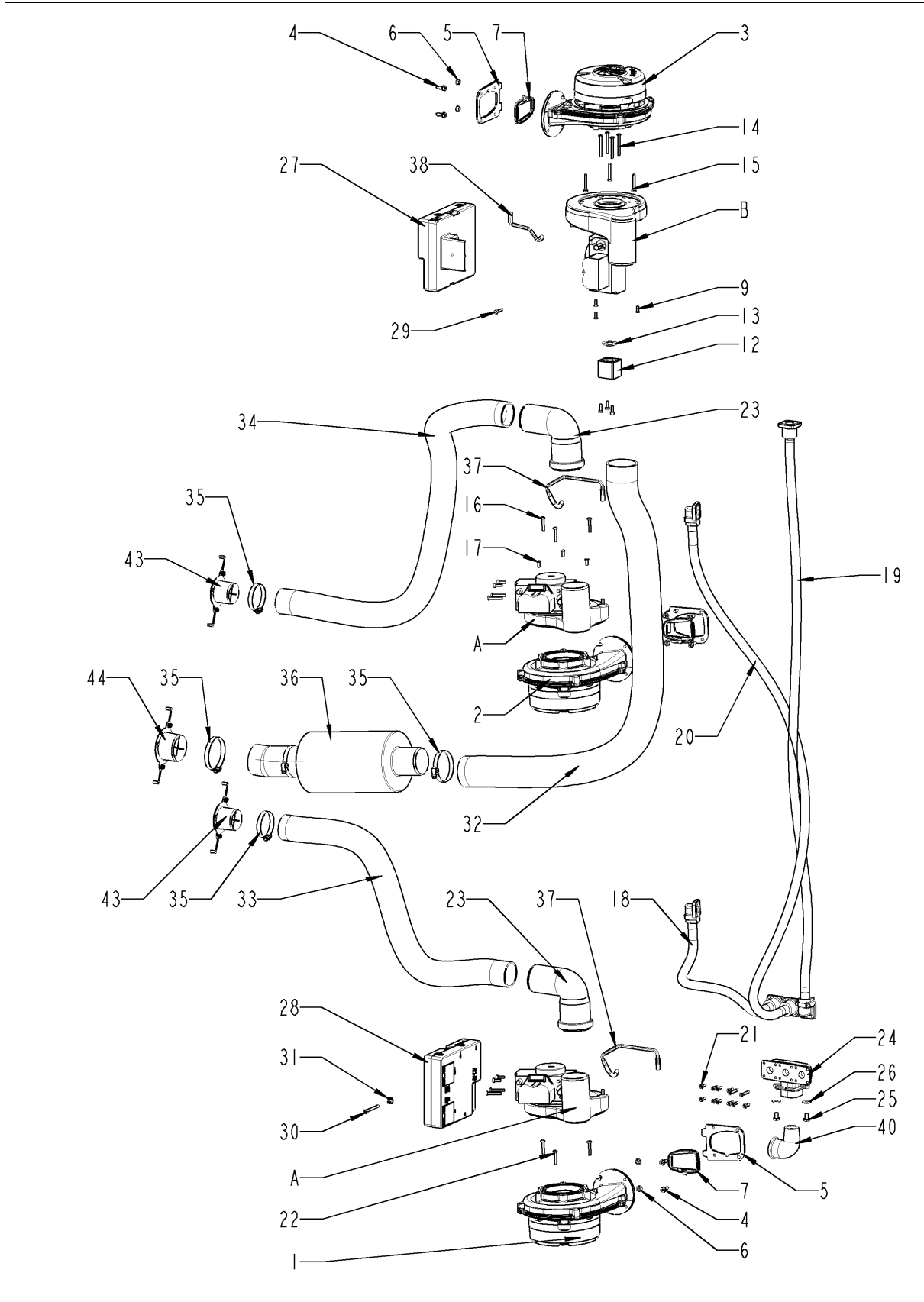
Gas parts



Gas parts

Pos.	Part No.	Description	Qty.
1	70.00.566	Blower for burner NRG118	1
2	70.00.566	Blower for burner NRG118	1
3	70.00.566	Blower for burner NRG118	1
4	10.00.990	Hex screw M5x16 Torx T20	6
5	70.00.495	Flange f. burner blower RG118	3
6	10.01.065	Hex nut M5	6
7	70.00.497	Gasket f. blower burner	3
9	10.00.065	Countersunk screw Torx T20 M4x12	3
12	70.00.637	Spacer sleeve f. gas burner blower	1
13	70.00.262	O-ring 21.89x2.62	2
14	10.00.068	Countersunk screw Torx T20 M4x40	4
15	10.00.064	Pan head screw Torx T20 M4x30	3
16	10.00.063	Pan head screw Torx T20 M4x25	6
17	10.00.065	Countersunk screw Torx T20 M4x12	6
18	70.00.531	Corrugated hose 390mm	1
19	70.00.655	Corrugated hose 1150mm	1
20	70.00.201	Corrugated hose 1050mm	1
21	10.00.061	Pan head screw Torx T20 M4x12	18
22	10.00.063	Pan head screw Torx T20 M4x25	6
23	70.00.301	Combustion air angle pipe hot air	2
24	74.00.881	Gas connection manifold 3x3/4"	1
25	1006.0762	Hex screw M6x10	2
26	1306.0222	Washer A6,4x15x1,5	2
27	74.00.883	Automatic ignition controller	1
28	74.00.883	Automatic ignition controller	1
29	10.00.062	Pan head screw Torx T20 M4x20	1
30	10.00.564	Pan head screw Torx T20 M4x45	1
31	1104.0801	Cage nut M4	1
32	70.00.137	Air hose D40x900mm	1
33	70.00.137	Air hose D40x900mm	1
34	70.00.125	Air hose D50x880mm	1
35	2066.0504	Hose clamp 40-60mm	3
36	70.00.703	Sound absorber blower steam generator	1
37	70.00.624	Silicone hose ø8x1,6x141mm	2
38	70.00.623	Silicone hose ø8x1,6x115mm	1
40	70.00.188	Hose fitting 3/4"-3/4"	1

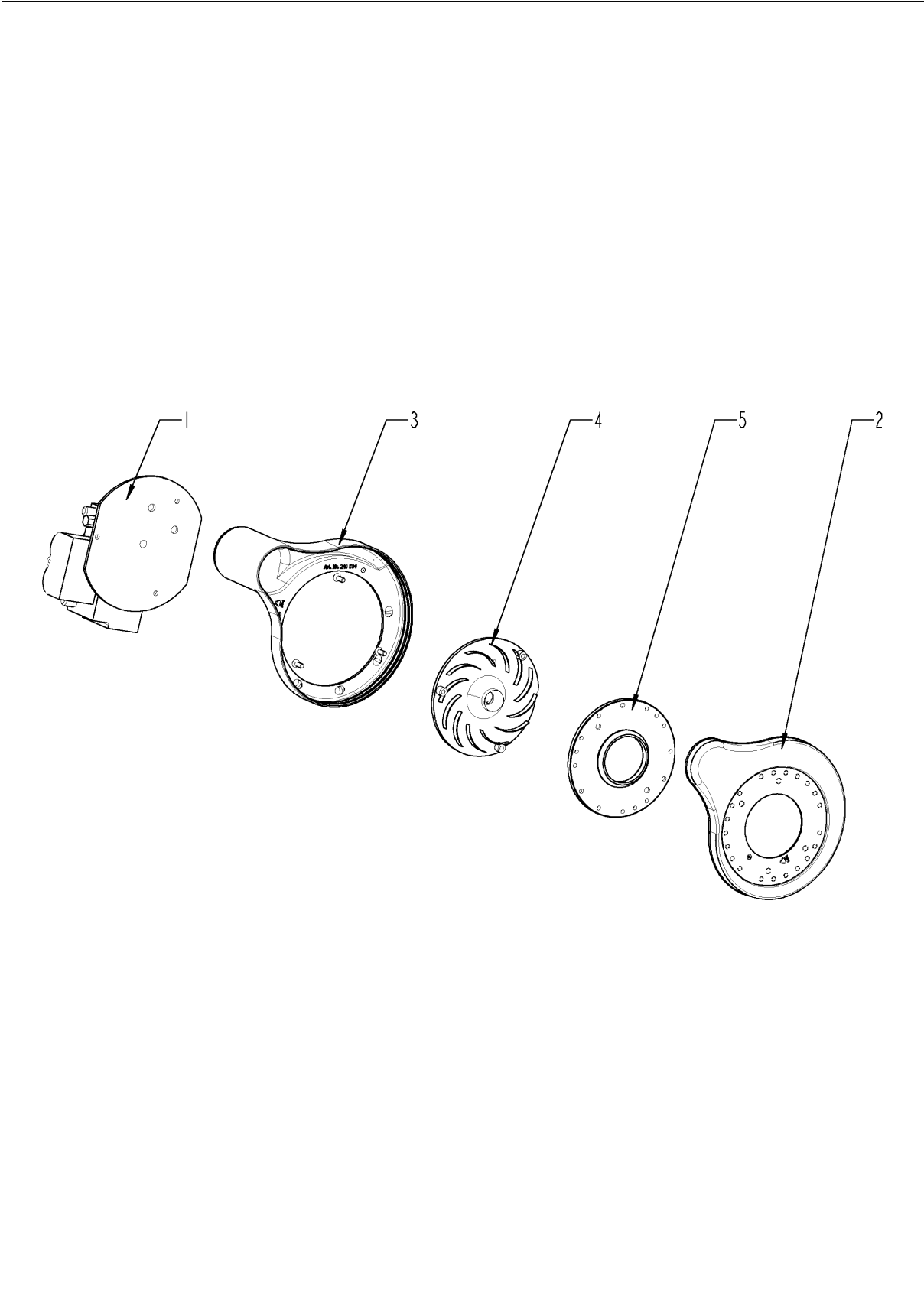
Gas parts



Gas parts

Pos.	Part No.	Description	Qty.
43	70.00.663	Air hose fixing device 40mm	2
44	70.00.662	Air hose fixing device 50mm	1
A		Gas valve RH	2
B		Gas valve SEP	1

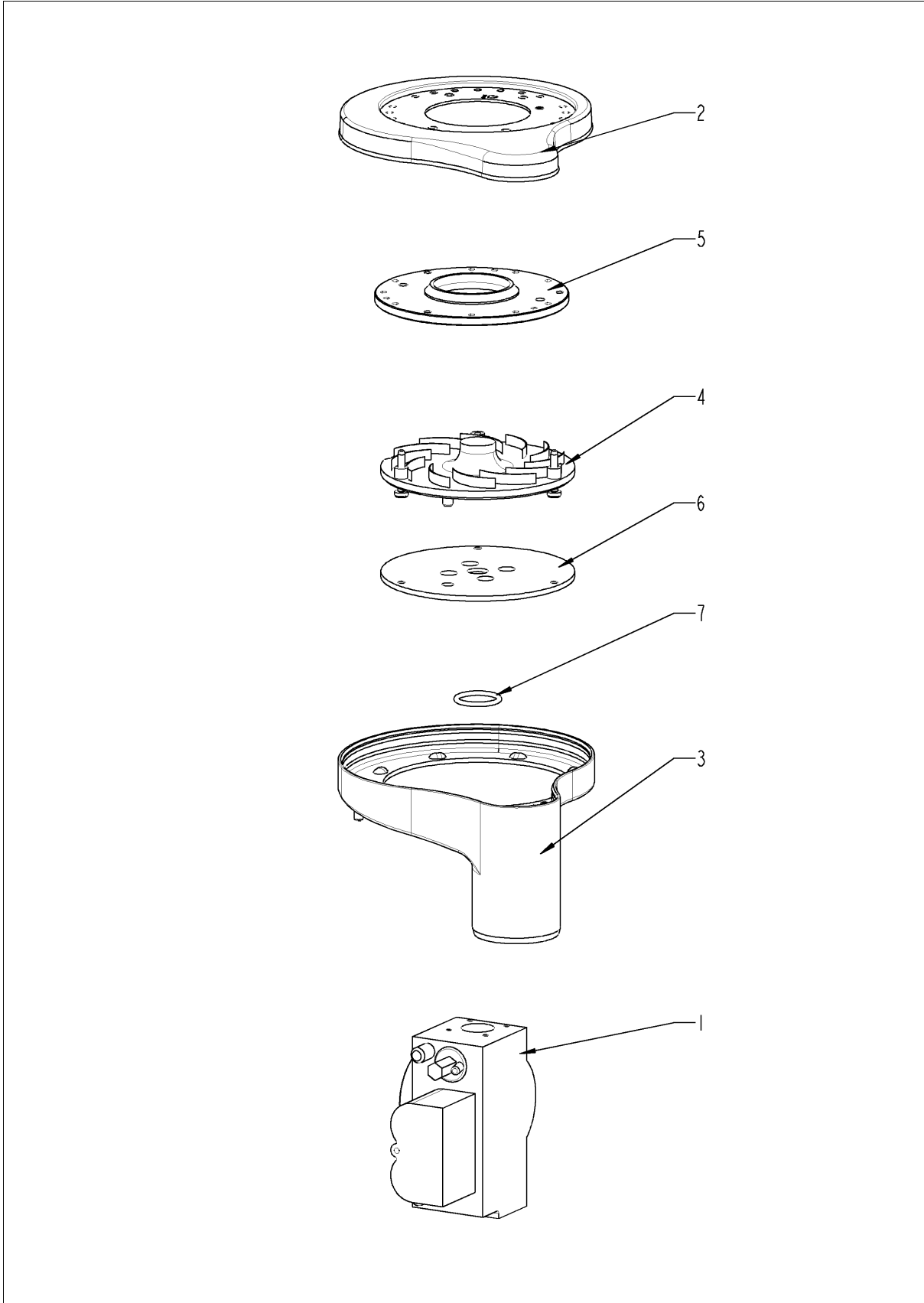
Gas valve



Gas valve

Pos.	Part No.	Description	Qty.
1	70.00.577	Gas valve RH	1
2	70.00.255	Premix chamber cover gas f. RG130	2
3	70.00.030	Premix chamber gas f. RG130	2
4	70.00.580	Premix disc gas	1
5	70.00.256	Disc premix chamber-blower RG130	1

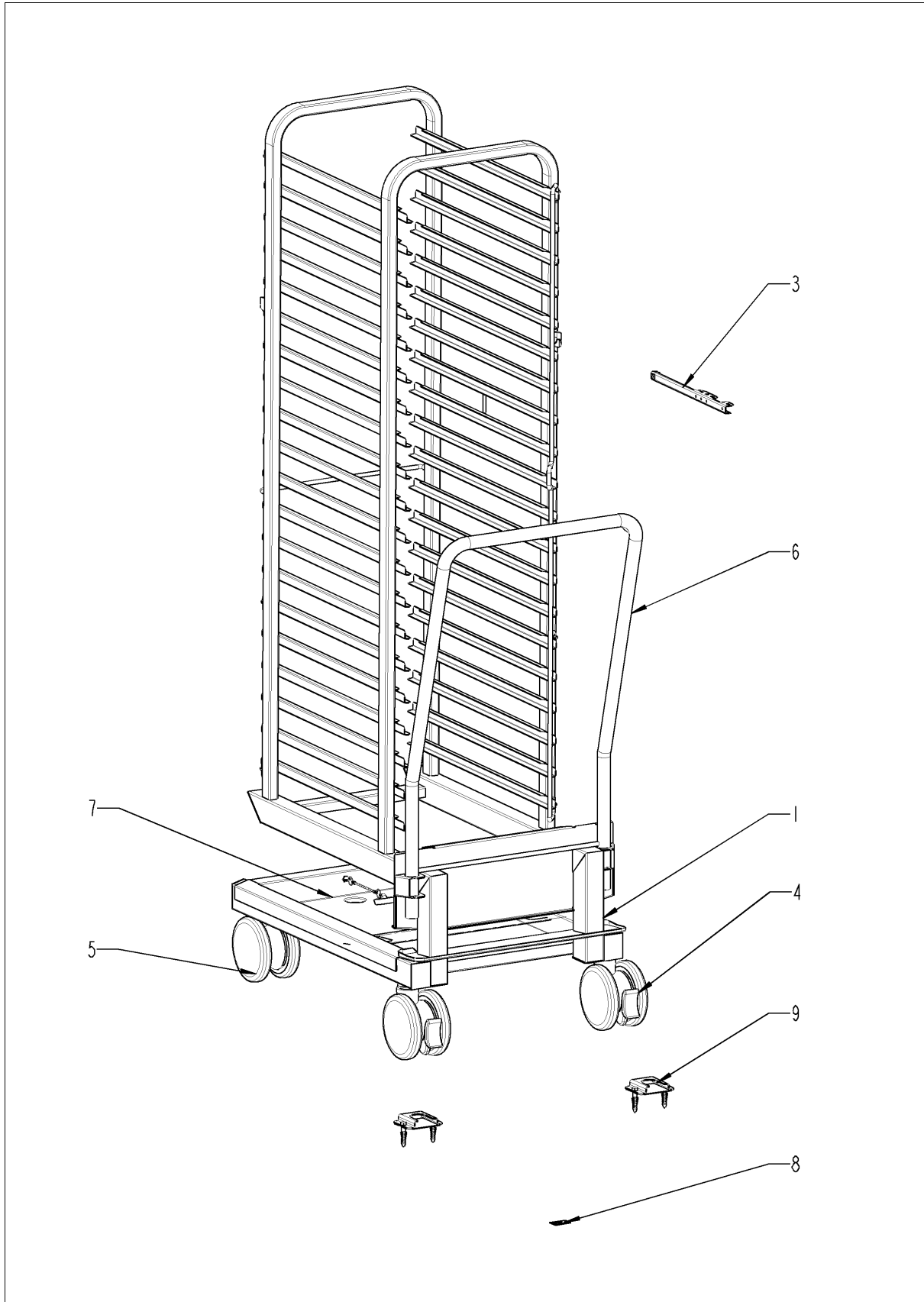
Gas valve



Gas valve

Pos.	Part No.	Description	Qty.
1	70.00.625	Gas valve SEP	1
2	70.00.255	Premix chamber cover gas f. RG130	1
3	70.00.030	Premix chamber gas f. RG130	1
4	70.00.106	Premix disc gas	1
5	70.00.256	Disc premix chamber-blower RG130	1
6	70.00.108	Disc gas valve-premix chamber	1
7	70.00.261	O-ring 17x1.5	1

Standard accessory



Standard accessory

Pos.	Part No.	Description	Qty.
1	60.21.177V	Mobile oven rack type 201 *USA*	1
4	60.60.100	Castor with brake ø125mm	1
5	60.60.101	Castor without brake ø125mm	1
6	60.21.055	Handle for mobile oven rack	1
7	60.21.071	Drip collector f. trolley/plate trolley	1
8	10.01.198	Sticker set	1
9	8700.0317	Floor fixing for units	1
10	60.71.382	Water connection kit, floor unit G/USA	1
11	60.72.412	Holder for handle mobile oven rack Type 201	1

Index

Part-no.	Description	Page
24.00.700	Additional gasket f. trolley	29
22.00.749	Air baffle	23
22.00.779	Air baffle support	23
70.00.137	Air hose D40x900mm	43
70.00.125	Air hose D50x880mm	43
70.00.663	Air hose fixing device 40mm	45
70.00.662	Air hose fixing device 50mm	45
40.02.684	Air inlet filter cpl.	33
22.00.916	Air inlet pipe	11
22.00.835	Air sucking ring f. air baffle	25
10.00.696	Allen screw M4x6 w. Precoat 85	19, 27
74.00.883	Automatic ignition controller	43
16.01.843	Back panel	33
54.01.291	Ball valve drain SCC cpl.	37
70.00.566	Blower for burner NRG118	43
24.01.347	Bracket left f. door floor model	29
24.01.234	Bracket right f. door floor model	29
74.00.789	Burner hot air	17
70.00.514	Burner pipe	13
72.00.104	Burner steam gen.	13
40.03.995	Bus cable 0.85m	7
40.04.089	Bus cable 1.15m	7
40.03.996	Bus cable 1.15m	7
56.00.462	Bushing care container/pump	41
20.01.411	Bushing for motor mounting bar	21
10.00.979	Cable clamp D=22	41
10.00.111	Cable clip long	11
10.00.112	Cable clip short	21
40.00.320	Cable connection M20x1.5	7
40.03.453	Cable control harness	9
40.03.474	Cable harness isolating transformer	9
40.03.516	Cable MMI - CPU	5

Index

Part-no.	Description	Page
40.03.515	Cable MMI - TFT	5
40.03.467	Cable On-Off switch MMI	5
1104.0801	Cage nut M4	43
10.00.090	Cap f. Torx T30	27
10.01.076	Cap nut M5*A2	23
10.00.745	Cap nut M6*A2	31, 33, 35, 37
56.00.507	Care container floor unit	41
56.00.541	Care hose 1	41
56.00.420	Care hose 2	41
60.60.100	Castor with brake ø125mm	51
60.60.101	Castor without brake ø125mm	51
50.00.156	Clamp f. hand shower roll guide	37
10.00.087	Clamp strap f. sensor	23
54.01.191	Collecting pan	37
70.00.301	Combustion air angle pipe hot air	43
2001.0109	Compression spring	27
50.01.213	Connect. pipe f. hand shower roll guide	37
50.01.373	Connect. pipe f. hand shower roll guide	37
40.03.761	Contacto 3TG1010-3AK2	9
87.01.005	Control panel insert with overlay *RAT*	5
42.00.160	Control pcb	7
42.00.112	Control pcb *TFT*	5
40.03.348	Control transformer T1	9
40.03.425	Cooling fan	7
40.03.948	Cooling fan with NTC	7
1315.0104	Copper washer 16x20x1,5	23
70.00.531	Corrugated hose 390mm	43
70.00.201	Corrugated hose 1050mm	43
70.00.655	Corrugated hose 1150mm	43
1005.1966	Countersunk screw Torx M5x16	29
10.00.065	Countersunk screw Torx T20 M4x12	43
10.00.068	Countersunk screw Torx T20 M4x40	43

Index

Part-no.	Description	Page
1003.2265	Countersunk self tapping screw 4,2x16	33
40.03.366	Cover air outlet	31
16.01.910	Cover f. control pcb w. gasket	5
16.00.329	Cover f. USB interface	33
40.03.392	Cover for air inlet filter	31
24.02.263	Cover for door latch	33
16.00.358	Crossbar front panel	33
16.00.330	Crossbar top	33
22.00.361	Deep-draw f. air baffle	25
16.02.062	Dial f. pulse generator	5
70.00.108	Disc gas valve-premix chamber	49
70.00.256	Disc premix chamber-blower RG130	47, 49
24.00.121	Door	27
24.00.145	Door bolt	27
24.00.048	Door bolt	27
87.00.540	Door bolt cpl.	27
24.01.351	Door catch	27
20.00.398	Door gasket	23
24.00.136	Door handle	27
24.01.350	Door lock	27
24.00.133	Door mounting support top	27
24.00.159	Door setting bolt	29
40.00.454	Door switch 1.65m	31
22.00.958	Drain hose for humidity control	11
44.01.229	Drain hose steam generator	13
60.21.071	Drip collector f. trolley/plate trolley	51
40.02.515	Dry up protector 315°F/157°C	9
74.00.873	Earth electrode, hot air	19
10.00.661	Edge protection profile	37
10.00.980	EJOT PT-Screw K30x10	41
10.00.103	EJOT PT-screw KA 3.5x10	33
10.00.460	EJOT PT-Screw Torx 3,5x14	33

Index

Part-no.	Description	Page
40.01.483	Electronic noise filter	9
56.00.373	Emergency overflow-tube	41
44.00.207	Emptying pump	13
40.03.262	Fan housing	33
40.03.378	Fan motor	21
22.00.828	Fan wheel	21
44.01.370	Filling level electrode 175mm	13
12.01.151	Fixing angle NSF housing floor units 201-202	35
44.01.181	Fixing angle steam generator	13
40.03.780	Fixing clip core temp. cable	25
40.03.756	Fixing clip f. pcb	7
40.03.533	Fixing clip f. pcb	7
40.01.579	Fixing clip f. pcb	9
24.01.346	Fixing device f. magnet with magnet, adjustable	29
44.01.248	Fixing device f. pump steam generator	13
24.00.507	Fixing device middle f.inter. glass pane	29
44.00.518	Fixing plate steam generator thermostat	13
70.00.495	Flange f. burner blower RG118	43
22.00.721	Flange f. motor shaft gasket	21
56.00.512	Flap Care container	41
8700.0317	Floor fixing for units	51
2039.0111	Foot adjustable, metal, 40 x 40	31
40.03.385	Frame for air inlet filter	31
16.01.863	Front panel	33
40.01.487	Fuse holder 2pol	9
40.02.512	Fuse holder 2x6.3A	9
40.01.873	Fuse SC-15A 10x38	9
74.00.881	Gas connection manifold 3x3/4"	43
70.00.577	Gas valve RH	47
70.00.625	Gas valve SEP	49
74.00.290	Gasket electrode hot air	19
70.00.497	Gasket f. blower burner	43

Index

Part-no.	Description	Page
16.01.579	Gasket f. breather tube d=79mm	33
72.00.067	Gasket f. burner carrier	13
74.00.296	Gasket f. heat exchanger below	17
22.00.881	Gasket f. hum. meas. Pipe	11
44.00.250	Gasket f. ignition electrode	13
54.01.168	Gasket f. inspection lid quenching	37
5110.1024	Gasket for G3/4" threaded joint	37
40.00.091	Gasket frame w. glass a. gaskets	23
24.00.187	Gasket glass pane/trolley	29
74.00.814	Gasket hot air heat exchanger/interior cabinet	17
12.01.140	Gasket NSF housing floor units 201-202	35
2022.0101	Grommet d8mm	39
3024.0201	Halogen bulb 300°C	23
50.00.130	Hand shower	37
50.01.239	Hand shower roll guide *lead free*	37
60.21.055	Handle for mobile oven rack	51
1104.0122	Hex combination nut M4 galv	11, 13
1105.0121	Hex combination nut M5 galv	13
1106.0803	Hex combination nut M6 galv	37
1104.0120	Hex nut M4	13
1104.0121	Hex nut M4 self locking	7
10.00.916	Hex nut M4 w. locking	41
10.00.100	Hex nut M4, self-locking	23
10.01.065	Hex nut M5	9, 17, 21, 43
1105.0120	Hex nut M5	13
10.00.709	Hex nut M6 w. locking	9, 13, 21
3014.0302	Hex nut M10 for dry-up protector	9
3014.0327	Hex nut M10x1,0	9, 23
10.00.612	Hex nut M16 flat	23
1004.0666	Hex screw M4x10	41
10.00.697	Hex screw M5x10 w. precoat 85	27
10.00.990	Hex screw M5x16 Torx T20	43

Index

Part-no.	Description	Page
1006.0762	Hex screw M6x10	13, 43
1006.0760	Hex screw M6x16	37
10.00.099	Hex screw M8x12	37
10.00.565	Hex screw M8x20	21
1008.0761	Hex screw M8x25	27
1008.0766	Hex screw M8x30	27
10.00.445	Hex screw M8x80	7
1004.2160	Hex self tapping screw 4,2x16	33
10.00.992	Hex self tapping screw B4,2x32	33
60.72.412	Holder for handle mobile oven rack Type 201	51
54.01.045	Hose 76x5mm	37
2066.0205	Hose clamp 8-16x9 mm SW 7mm	37
2066.0521	Hose clamp 27mm	41
2066.0518	Hose clamp 30mm	13, 41
2066.0519	Hose clamp 35,6mm	13
2066.0504	Hose clamp 40-60mm	13, 43
2066.0505	Hose clamp 70-90mm	37
10.00.983	Hose clamp CLIC d=23mm	41
10.00.984	Hose clamp CLIC d=27.5mm	41
2066.0527	Hose clamp ø14mm	11, 15, 37
2066.0530	Hose clamp ø16.4mm	15
10.00.605	Hose clamp ø25.3	41
2066.0526	Hose clamp ø46mm	13
70.00.188	Hose fitting 3/4"-3/4"	43
22.00.525	Hose set f. humidity control	11
50.00.548	Hose ø10x2x500 f. hand shower	37
74.00.794	Hot air heat exchanger below	17
74.00.798	Hot air heat exchanger top	17
12.00.897	Housing f. Cleaning pump	41
2062.0333	Housing for non returne valve	37
2070.0054	HT pipe, DN 50, 250 mm	35
22.00.725	Humidity control cpl.	11

Index

Part-no.	Description	Page
44.01.237	Ignition electrode steam generator	13
74.00.034	Ignitionelectrode, hot air	19
24.00.210	Inner glass pane	29
22.00.908	Inner humidity meas. Piece	11
54.01.253	Inspection lid, quenching nozzle, B2	37
40.03.290	Installation rail for Contactor	9
72.00.077	Insulation f. burner steam gen.	13
40.04.047	Interface cable USB 1.6m	33
20.01.755	Isolation for mounting plate for motor	21
2062.0331	Junction pressure hose GS 10	15
2760.1370	Latch hook for air baffle	25
50.00.086	Locking plate f. water distribution	39
40.03.989	Loudspeaker K 64 WPT	7
74.00.813	Mating flange heat exchanger	17
40.02.101	Meat probe sensor	23
4007.0620	Membrane DGC 29	9
4007.0621	Membrane DGC 36	9
42.00.081	MMI pcb	5
60.21.177V	Mobile oven rack type 201 *USA*	51
22.00.083	Motor shaft gasket	21
50.00.278	Mounting device f. hand sh. roll guide	37
22.00.882	Mounting device f. pressure sensor	11
50.01.544	Mounting device f. water distribution	39
12.00.291	Mounting for housing of Cleaning pump	41
22.00.722	Mounting support f. gasket flange	21
2069.0107	Non return valve DN6 steam generator	39
50.00.078	Non return valve DW16/DN12	39
50.00.844	Nozzle f. moistening	17
12.01.142	NSF housing floor units 201-202	31
12.01.154	NSF housing left floor units 201-202	35
12.01.153	NSF housing right floor units 201-202	35
70.00.261	O-ring 17x1.5	49

Index

Part-no.	Description	Page
70.00.262	O-ring 21.89x2.62	43
10.00.512	O-ring for ball valve drain 26x3.5	37
10.00.511	O-ring for ball valve drain 46x3.5	37
22.00.837	O-ring for humidity control	11
16.01.965	Opening mechanism for panel insert	31
1008.0768	Ornamental screw M8x16	27
1008.0769	Ornamental screw M8x30	27
22.00.850	Outer humidity meas. Piece	11
54.01.117	Outlet sieve	23
10.00.449	Pan head screw M6x16	37
10.00.364	Pan head screw Torx M3x12	9
10.00.061	Pan head screw Torx T20 M4x12	43
10.00.062	Pan head screw Torx T20 M4x20	43
10.00.063	Pan head screw Torx T20 M4x25	43
10.00.064	Pan head screw Torx T20 M4x30	43
10.00.564	Pan head screw Torx T20 M4x45	7, 43
56.00.537	Pipe f. Care hose	41
24.01.259	Plastic buffer 8,1mm for door	29
10.00.369	Plug cone shaped	37
50.00.085	Plug-in spring f. hand shower roll guide	37
40.01.597	Power supply cable 3xAWG14	7
40.00.281	Power transformer	7
24.00.177	Pre heat mechanism f. door cpl.	29
70.00.255	Premix chamber cover gas f. RG130	47, 49
70.00.030	Premix chamber gas f. RG130	47, 49
70.00.580	Premix disc gas	47
70.00.106	Premix disc gas	49
2067.0050	Pressure hose d10mm	37, 39, 41
56.00.175	Pressure hose f. cleaning	41
3017.1011	Pressure sensor for humidity control Huba 401	11
2005.0106	Protective grid for cooling fan	7
40.00.404	Pulse generator	5

Index

Part-no.	Description	Page
2118.1000	Pump connection spout	15
8354.1320	Pump connection spout cpl.	13
56.00.460	Pump f. CareControl DPS 35	41
56.00.186	Pump f. cleaning UP30	41
40.00.098	Reflector f. interior light	23
10.00.515	Rivet 3,2x5 A4	25
1603.0166	Rivet 3,2x7,9 CNS closed	33
1604.0167	Rivet 4x10	25
10.00.041	Rivet nut M5 hexagon closed	29
40.01.482	Safety temperature limiter 365°C	9, 23
40.01.317	Screen core temperature sensor	23
40.03.782	Screen interior cabinet sensor	23
42.00.128	SD-memory card 4GB	7
10.00.991	Sealing cap	39
16.01.908	Sealing f. panel insert	5
16.00.143	Side panel left	33
16.00.142	Side panel right	33
2110.1008	Silicon hose ø10x2mm	15
70.00.623	Silicone hose ø8x1,6x115mm	43
70.00.624	Silicone hose ø8x1,6x141mm	43
50.01.146	Single solenoid valve	39
24.00.147	Sleeve for door bolt top	29
1104.0820	Snap nut 4,2mm	33
70.00.703	Sound absorber blower steam generator	43
10.00.243	Spacer M4x8	7
70.00.637	Spacer sleeve f. gas burner blower	43
10.01.049	Square necked mushroom head bolt 6x30	21
1107.0100	Star lock ø4	33
44.00.946	Steam generator insulated	13
2112.1006	Steam hose 50x7mm	13
44.01.139	Steam pipe	13
10.01.198	Sticker set	51

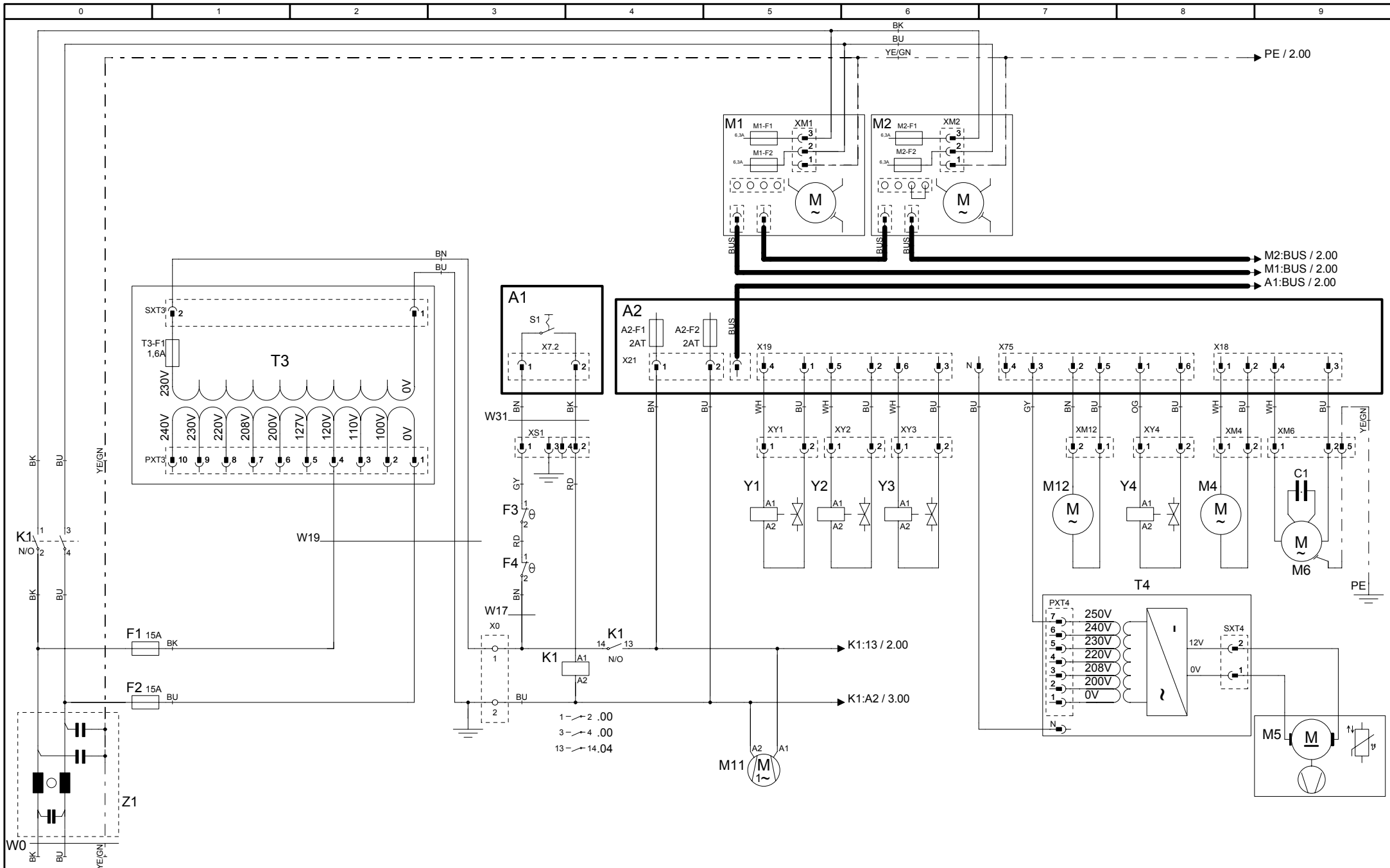
Index

Part-no.	Description	Page
2120.1259	Stop plug 10mm	15
56.00.176	Suction hose f. cleaning	41
22.00.491	Surge guard for Meat probe sensor	25
8664.1301	T-fitting water connection	37
40.00.399	Thermocouple humidity	23
40.03.528	Thermocouple interior cabinet B1	23
40.04.111	Thermocouple steam generator *B5*	13
4005.0101	Tie rap 145 mm	15
1204.0120	Tooth lock washer A4,3	41
1205.0120	Tooth lock washer A5,3	13
1206.0120	Tooth lock washer A6,4	31
16.02.168	Top cover	33
40.03.772	Transformer f. cooling fan	7
50.01.050	Triple solenoid valve	37
16.01.942	Tulip for handshower	33
50.00.846	Union nut M12x13.2 N	17
22.00.767	Vent cover	11, 31
54.01.054	Ventilation pipe	37
8354.1304	Venting valve for steam generator	39
10.00.744	Washer A4,3 *A4	25
1305.0160	Washer A5,3x10mm	27
1306.0222	Washer A6,4x15x1,5	13, 37, 43
1308.0162	Washer A8,4	21, 27
1308.0160	Washer A8,4	37
60.71.382	Water connection kit, floor unit G/USA	51
50.00.072	Water distribution vert roll guide con.	37
50.00.073	Water distribution vert w/o roll guide con.	39
1900.0202	Water filter	39
50.01.195	Water volume sensor with wire	37
40.03.532	Wiring interior light	23
2062.0303	Y-fitting YS10	39

Deckblatt Elektrische Dokumentation, Cover sheet electrical Documentation

Die Elektrische Dokumentation besteht aus: 1. diesem Deckblatt, 2. dem Schaltplan und 3. der Legende der elektrischen Bauteile
The electric documentation contains: 1. this cover sheet, 2. the wiring diagram and 3. the bill of material (BOM)

Deckblatt-Nr. Front Page No.	75-21278	Version	0
Typ / Type	SCC WE 201G		
Schaltplan Wiring diagram	76-00557	Version	0
Spannung (SPL) Voltage	1NAC120 V 60 Hz		
Legende Legend electr. components	78-00829	Version	0
Geräteserialnr. Serial number	G21SH1102	Version	1102
Erstellt am Created at	Aug 31, 2011 4:33 PM	Ersteller Creator	SCHD
Gültig ab Valid from	Aug 30, 2011 3:38 PM	Änderung Modification	

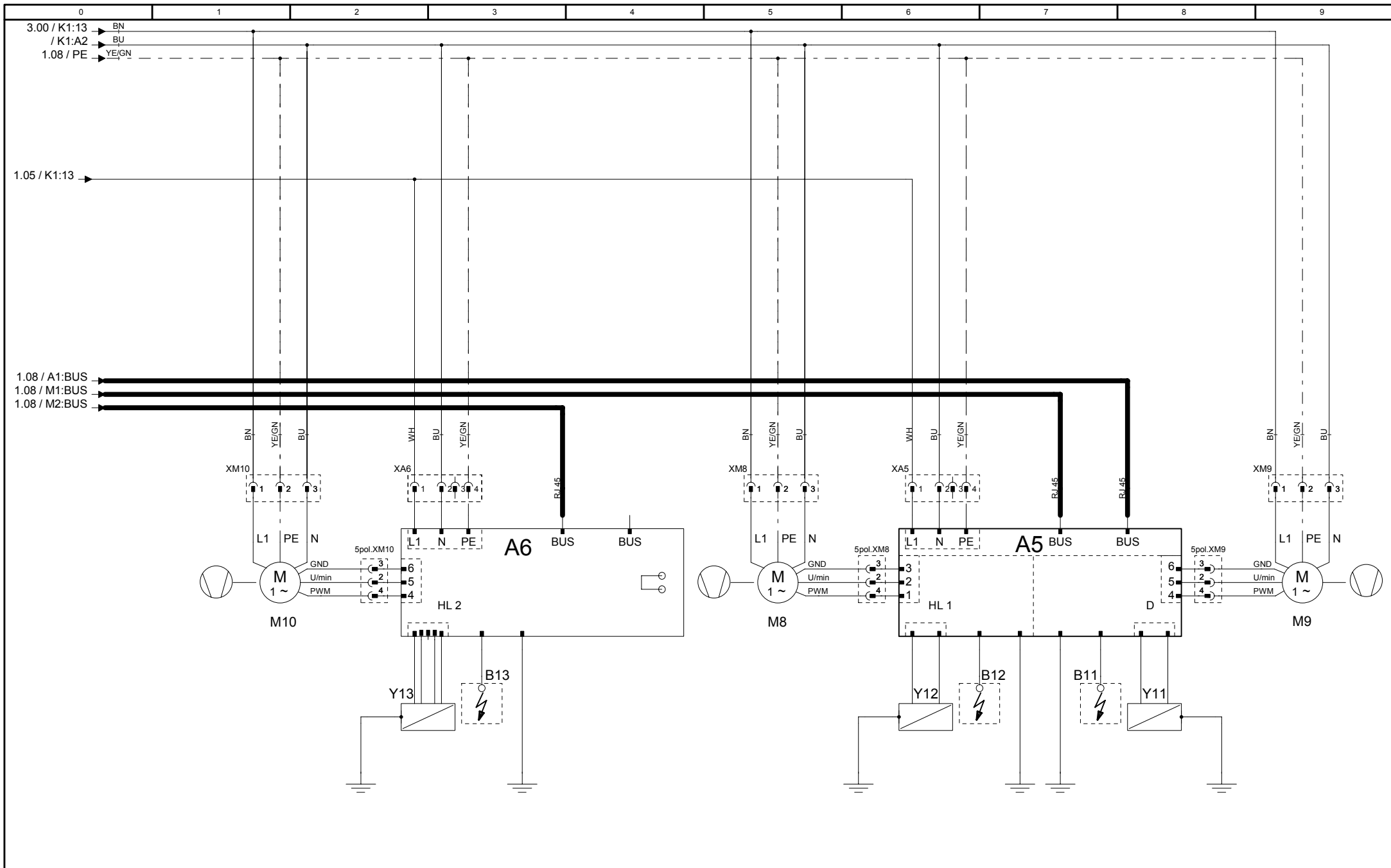


76-00557	
Version	0

MODUL 1 Leistung/Power	
---	--

SCC WE 201G-UL 1NAC120 V 60 Hz	
---	--

Erstellt von	SCHD
Created by	
Datum	12.10.2011
Date	
Blatt	1
Page	



76-00557

MODUL 2
Heizung/Heating

SCC WE 201G-UL

Erstellt von	SCHD
Created by	
Datum	12.10.2011
Date	
Blatt	2
Page	

Version

0

1NAC120 V 60 Hz

Positionsliste**Bill of material**

Name Name	Artikelnr. Item number	Artikelbezeichnung	Item description	Module Modul
-A1	42.00.081	Interface Platine	Interface PCB	Modul 1
-A2	42.00.160	CPU SCC WE	CPU SCC WE	Modul 1
-A2-F1/F2	3019.0120	Sicherung A2 - 2AT	Fuse A2 - 2AT	Modul 1
-A2-F3	3019.0312	Sicherung A2 - 8AT	Fuse A2 - 8AT	Modul 3
-A5	74.00.883	Feuerungsautomat Brenner 61-202	Ignition box	Modul 2
-A6	74.00.883	Feuerungsautomat Brenner 201/202 HL	Ignition box	Modul 2
-B1	40.03.528	Thermoelement Garraum	Thermocouple interior cabinet	Modul 3
-B2	54.01.253	Thermoelement Ablöschung	Thermocouple quenching	Modul 3
-B3	40.02.101	Thermoelement Kerntemperatur	Thermocouple core sensor	Modul 3
-B4	40.00.399	Thermoelement Feuchte	Thermocouple humidity	Modul 3
-B5	40.04.111	Thermoelement Dampfgenerator	Thermocouple steam generator	Modul 3
-F1/F2	40.01.873	Steuersicherung	Control fuse	Modul 1
-F3	40.02.515	Sicherheitstemperaturbegrenzer Gas:157°C/314° F Elek.:183°C/360°F	Safety thermostat steam generator Gas: 157°C/ 314°F Elec.: 183°C/360°F	Modul 1
-F4	40.01.482	Sicherheitstemperaturbegrenzer 360°C/680°F	Safety thermostat interior cabinet 360°C/680°F	Modul 1
-H1	3024.0201	Garraumbeleuchtung	Interior cabinet light	Modul 3
-H2	3024.0201	Garraumbeleuchtung	Interior cabinet light	Modul 3
-K1	40.03.761	Hauptschütz	Main contactor	Modul 1
-M1	40.03.378	Lüftermotor	Fan motor	Modul 1
-M10	70.00.566	Gasgebläse HL	Gas blower hot air (bottom)	Modul 2
-M11	40.03.425	Kühllüfter	Cooling fan	Modul 1
-M12	56.00.460	Pumpe Pflegemittel	Care pump	Modul 1
-M2	40.03.378	Lüftermotor 201/202 (unten)	Fan motor 201/202 (bottom)	Modul 1

Änderungsdatum	30.08.2011	Name	SCC WE 201G-UL	Dokument-Nr.	78-00829
Erzeuger	SCHD	Spannung	1NAC120 V 60 Hz	Version	0

Positionsliste**Bill of material**

Name Name	Artikelnr. Item number	Artikelbezeichnung	Item description	Module Modul
-M4	44.00.207	SC-Pumpe	SC-pump	Modul 1
-M5	40.03.948	Kühllüfter	Cooling fan	Modul 1
-M6	56.00.186	CleanJet Pumpe SCC WE	CleanJet pump SCC WE	Modul 1
-M7	54.01.291	Kugelhahn Ablauf	Drain valve	Modul 3
-M8	70.00.566	Gasgebläse HL	Gas blower hot air	Modul 2
-M9	70.00.566	Gasgebläse DG	Gas blower steam	Modul 2
-P1	3017.1011	Differenzdrucksensor	Differential pressure sensor	Modul 3
-S1	TEXT	Ein/Aus Schalter	ON/OFF switch	Modul 1
-S11	50.01.195	CDS-Sensor	CDS-sensor	Modul 3
-S2	44.01.370	Niveauelektrode	Water level electrode	Modul 3
-S3	40.00.454	Türkontaktschalter	Door contact switch	Modul 3
-S6	40.00.404	Zentrales Einstellrad	Central dial	Modul 3
-T1	40.03.348	Steuertrafo	Control transformer	Modul 3
-T1-F1	3019.0120	Sicherung Steuertrafo T1 2AT	Fuse control transformer T1 2AT	Modul 3
-T1-F2	3019.0126	Sicherung Steuertrafo T1 5AT	Fuse control transformer T1 5AT	Modul 3
-T2	40.03.989	SCC WE: Lautsprecher / CMP: Alarmsummer	SCC WE: Speaker / CMP: Buzzer	Modul 3
-T3	40.00.281	Sondertrafo	Special transformer	Modul 1
-T3-F1	3019.0125	Sicherung Sondertrafo T3	Fuse special transformer	Modul 1
-T4	40.03.772	Trafo Kühllüfter 201/202	Transformer cooling fan 201/202	Modul 1
-W0	40.01.597	Anschlusskabel	Cable: power supply	Modul 1
-W11	40.03.532	Kabel: Garraumbeleuchtung	Cable: interior cabinet light	Modul 3
-W17	40.03.453	Kabel: Steuerstamm	Cable: control harness	Modul 1
-W19	40.03.474	Kabel: Zusatzstamm Gas	Cable: power supply gas	Modul 1

Änderungsdatum	30.08.2011	Name	SCC WE 201G-UL	Dokument-Nr.	78-00829
Erzeuger	SCHD	Spannung	1NAC120 V 60 Hz	Version	0

Positionsliste

Bill of material

Name Name	Artikelnr. Item number	Artikelbezeichnung	Item description	Module Modul
-W31	40.03.467	Kabel: Ein/Aus Schalter	Cable: ON/OFF switch	Modul 1
-Y1/Y3/Y4	50.01.050	Y1: Magnetventil Füllen / SCC WE Y3: Beschwadung / Y4: Pflegemittel	Y1: Solenoid valve filling / SCC WE Y3: moistening / Y4: care	Modul 1
-Y11	70.00.625	Gasventil D	Gas valve steam	Modul 2
-Y12/Y13	70.00.577	Y12: Gasventil HL1 / Y13: Gasventil HL2 201/ 202G	Y12: Gas valve hot air / Y13: Gas valve hot air (bottom)	Modul 2
-Y2	50.01.146	Magnetventil Ablöschung	Solenoid valve quenching	Modul 1
-Y5	22.00.725	Klimaventil	Clima valve	Modul 3
-Z1	40.01.483	Entstörfilter/Varistor	Electronic noise filter	Modul 1

Änderungsdatum	30.08.2011	Name	SCC WE 201G-UL	Dokument-Nr.	78-00829
Erzeuger	SCHD	Spannung	1NAC120 V 60 Hz	Version	0