

# Service part catalogue

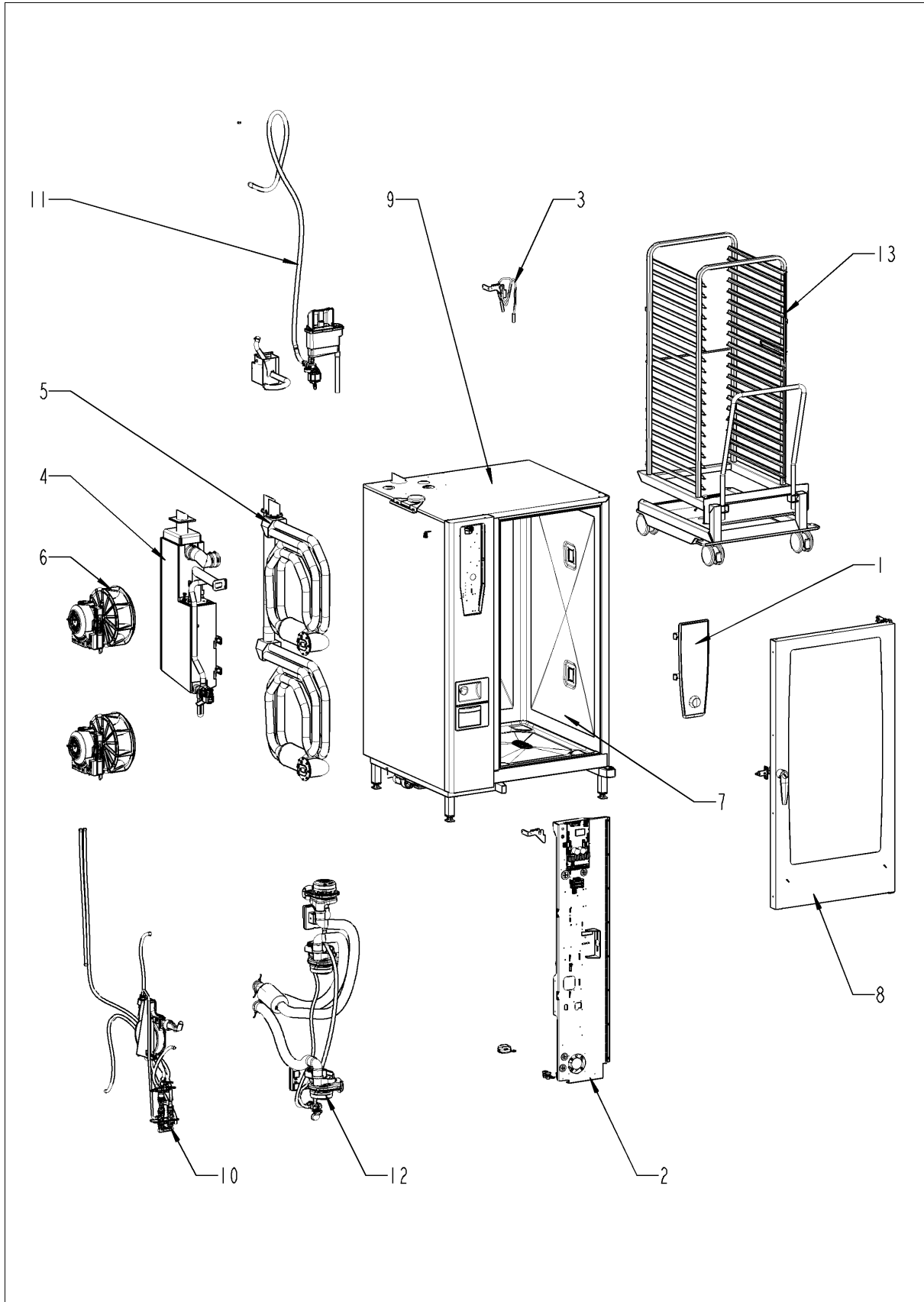
**SelfCookingCenter® whiteefficiency®**

**SelfCooking Center 202 - 20 x 2/1 GastronormG**

**G22SH1111**



SelfCookingCenter® whiteefficiency®

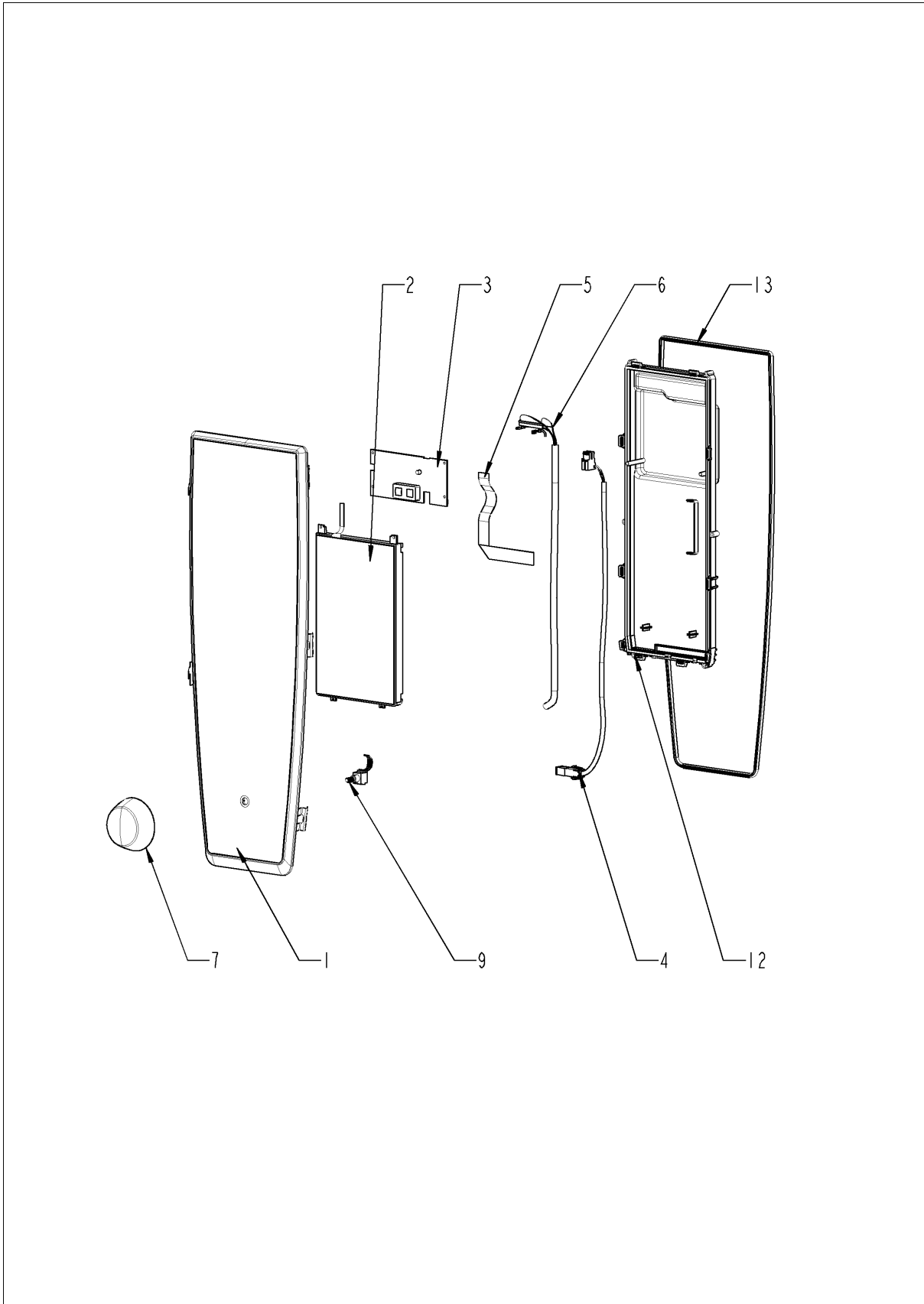


---

**SelfCookingCenter® whiteefficiency®**

<b>Pos.</b>	<b>Part No.</b>	<b>Description</b>	<b>Qty.</b>
1		Control panel	1
2		Electrical installation	1
3		ClimaPlus	1
4		Steam generator	1
5		Hot air heating	1
6		Motor and fan wheel	1
7		Interior cabinet	1
8		Door	1
9		Exterior cabinet	1
10		Water	1
11		CleanJet + Care	1
12		Gas parts	1
13		Standard accessory	1

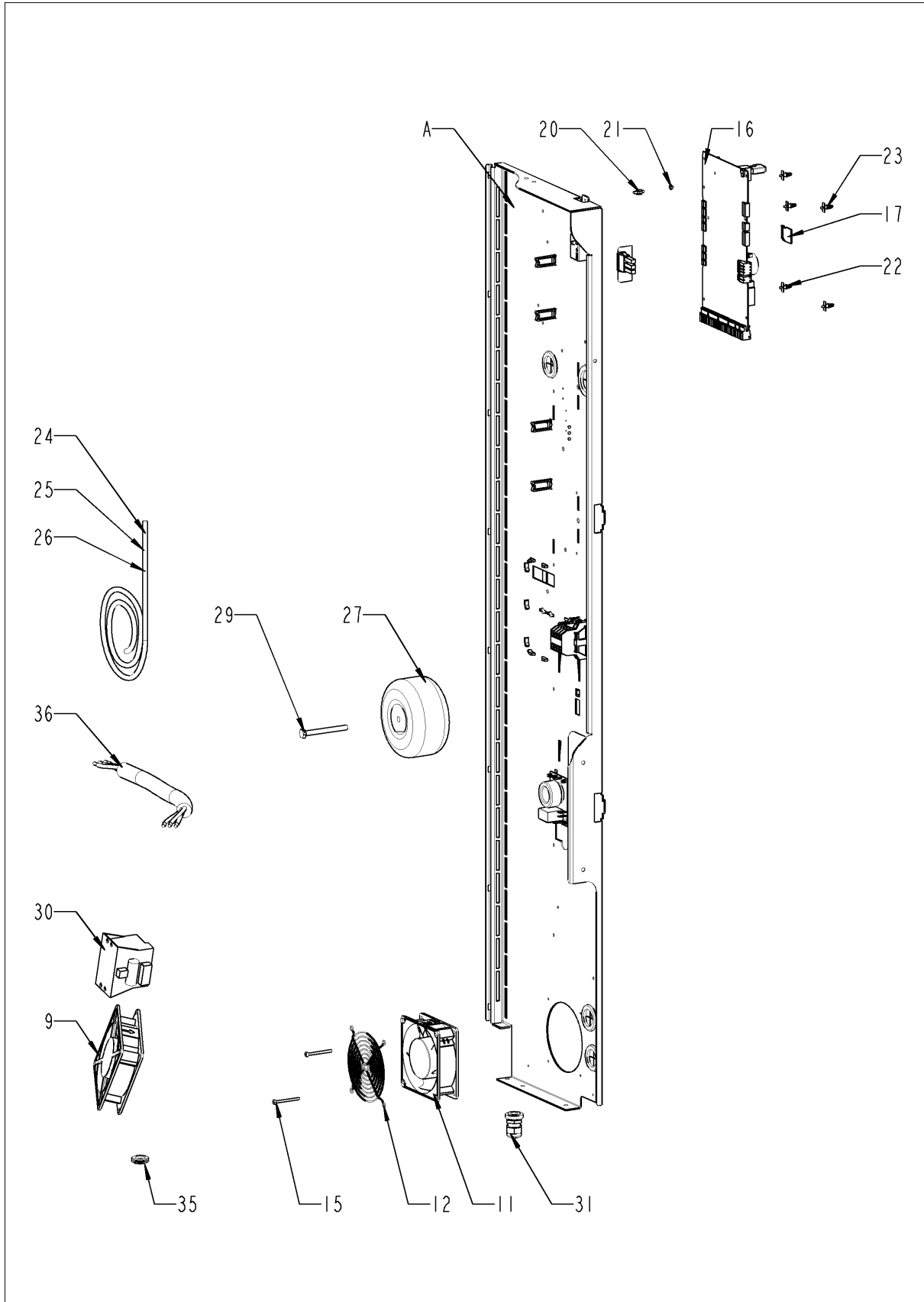
## Control panel



## Control panel

Pos.	Part No.	Description	Qty.
1	87.01.005	Control panel insert with overlay *RAT*	1
2	42.00.112	Control pcb *TFT*	1
3	42.00.081	MMI pcb	1
4	40.03.467	Cable On-Off switch MMI	1
5	40.03.515	Cable MMI - TFT	1
6	40.03.516	Cable MMI - CPU	1
7	16.02.062	Dial f. pulse generator	1
9	40.00.404	Pulse generator	1
12	16.01.910	Cover f. control pcb w. gasket	1
13	16.01.908	Sealing f. panel insert	1

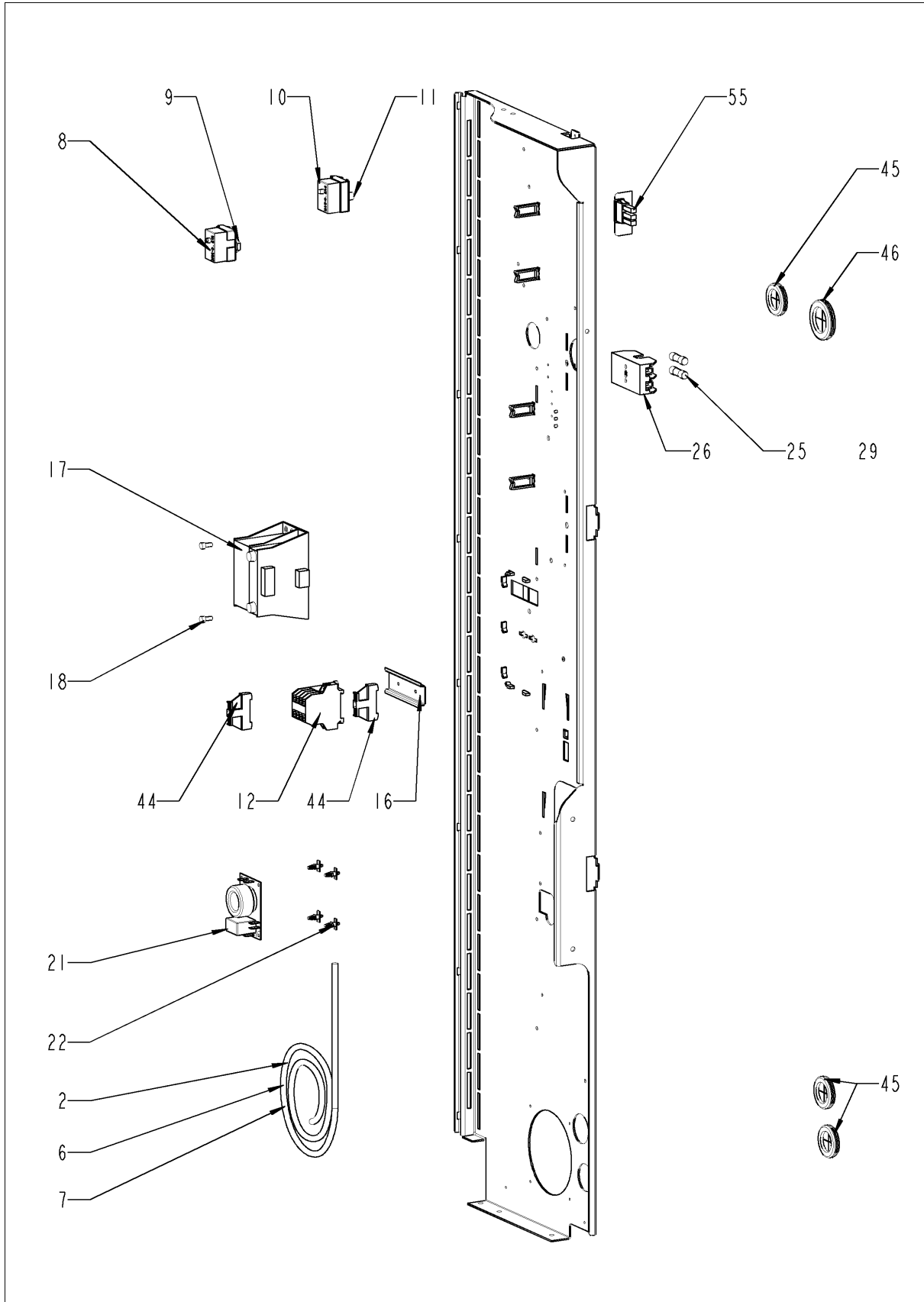
## Electrical installation



## Electrical installation

<b>Pos.</b>	<b>Part No.</b>	<b>Description</b>	<b>Qty.</b>
9	40.03.948	Cooling fan with NTC	1
11	40.03.425	Cooling fan	1
12	2005.0106	Protective grid for cooling fan	1
15	10.00.564	Pan head screw Torx T20 M4x45	2
16	42.00.160	Control pcb	1
17	42.00.128	SD-memory card 4GB	1
20	10.00.243	Spacer M4x8	1
21	1104.0121	Hex nut M4 self locking	1
22	40.03.756	Fixing clip f. pcb	1
23	40.03.533	Fixing clip f. pcb	4
24	40.04.089	Bus cable 1.15m	1
25	40.03.995	Bus cable 0.85m	1
26	40.03.996	Bus cable 1.15m	1
27	40.03.468	Power transformer	1
29	10.00.445	Hex screw M8x80	1
30	40.03.772	Transformer f. cooling fan	1
31	40.00.320	Cable connection M20x1.5	1
35	40.03.989	Loudspeaker K 64 WPT	1
36	40.01.596	Power supply cable 3x2,5mm <sup>2</sup> 3m	1
38	40.03.995	Bus cable 0.85m	1
A		Electrical installation	1

## Electrical installation

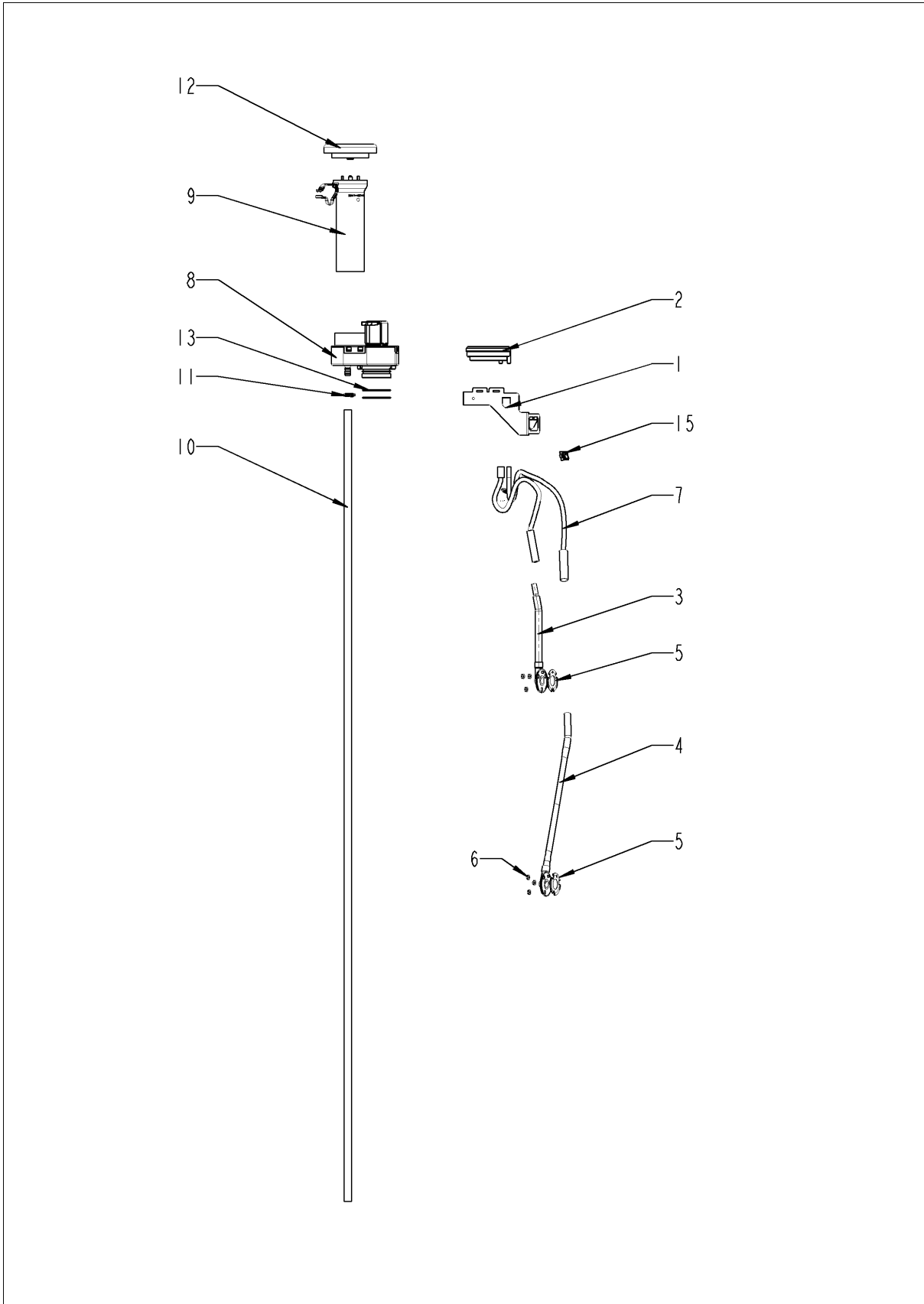




## Electrical installation

<b>Pos.</b>	<b>Part No.</b>	<b>Description</b>	<b>Qty.</b>
6	40.03.453	Cable control harness	1
7	40.04.116	Cable harness isolating transformer	1
8	40.02.515	Dry up protector 315°F/157°C	1
9	3014.0302	Hex nut M10 for dry-up protector	1
10	40.01.482	Safety temperature limiter 365°C	1
11	3014.0327	Hex nut M10x1,0	1
12	40.03.761	Contactor 3TG1010-3AK2	1
16	40.03.290	Installation rail for Contactor	1
17	40.03.348	Control transformer T1	1
18	10.01.065	Hex nut M5	1
20	10.00.709	Hex nut M6 w. locking	1
21	40.01.483	Electronic noise filter	1
22	40.01.579	Fixing clip f. pcb	4
25	40.01.873	Fuse SC-15A 10x38	2
26	40.02.512	Fuse holder 2x6.3A	1
26	40.01.487	Fuse holder 2pol	1
29	10.00.365	Pan head screw Torx M3x20	2
45	4007.0620	Membrane DGC 29	3
46	4007.0621	Membrane DGC 36	1

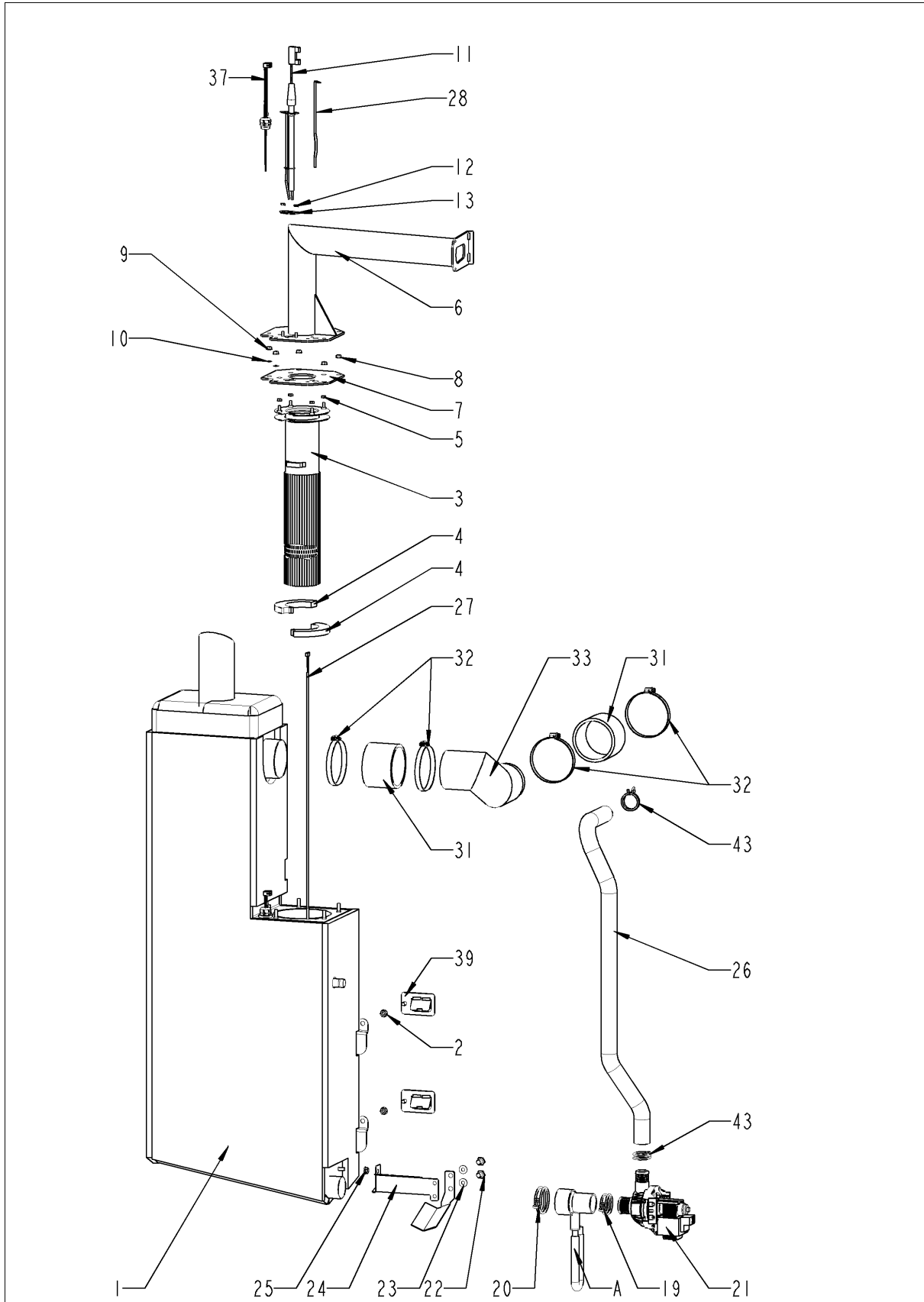
# ClimaPlus



## **ClimaPlus**

<b>Pos.</b>	<b>Part No.</b>	<b>Description</b>	<b>Qty.</b>
1	22.00.882	Mounting device f. pressure sensor	2
2	3017.1011	Pressure sensor for humidity control Huba 401	1
3	22.00.908	Inner humidity meas. Piece	1
4	22.00.850	Outer humidity meas. Piece	1
5	22.00.881	Gasket f. hum. meas. Pipe	2
6	1104.0122	Hex combination nut M4 galv	6
7	22.00.525	Hose set f. humidity control	1
8	22.00.725	Humidity control cpl.	1
9	22.00.916	Air inlet pipe	1
10	22.00.958	Drain hose for humidity control	1
11	2066.0527	Hose clamp ø14mm	2
12	22.00.767	Vent cover	1
13	22.00.837	O-ring for humidity control	2
15	10.00.111	Cable clip long	2

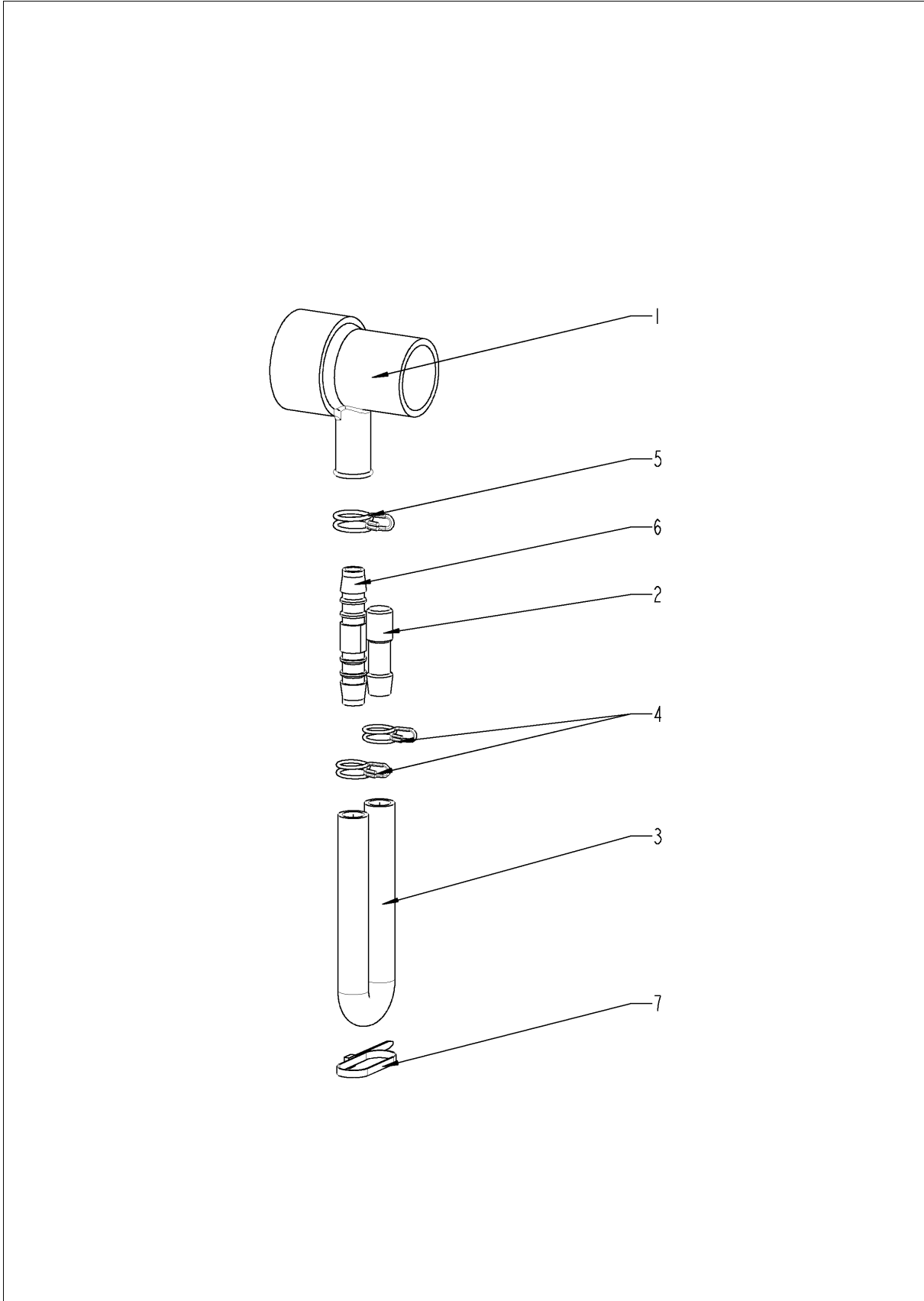
## Steam generator



## Steam generator

<b>Pos.</b>	<b>Part No.</b>	<b>Description</b>	<b>Qty.</b>
1	44.00.948	Steam generator insolated	1
2	10.00.709	Hex nut M6 w. locking	2
3	72.00.088	Burner steam gen.	1
4	72.00.077	Insulation f. burner steam gen.	2
5	1104.0122	Hex combination nut M4 galv	4
6	70.00.472	Burner pipe	1
7	72.00.067	Gasket f. burner carrier	1
8	1105.0121	Hex combination nut M5 galv	3
9	1105.0120	Hex nut M5	2
10	1205.0120	Tooth lock washer A5,3	2
11	44.01.237	Ignition electrode steam generator	1
12	1104.0120	Hex nut M4	2
13	44.00.250	Gasket f. ignition electrode	1
19	2066.0519	Hose clamp 35,6mm	1
20	2066.0526	Hose clamp ø46mm	1
21	44.00.207	Emptying pump	1
22	1006.0762	Hex screw M6x10	2
23	1306.0222	Washer A6,4x15x1,5	2
24	44.01.248	Fixing device f. pump steam generator	1
25	10.00.709	Hex nut M6 w. locking	2
26	44.01.231	Drain hose steam generator	1
27	40.04.110	Thermocouple steam generator *B5*	1
28	44.00.517	Fixing plate steam generator thermostat	1
31	44.00.362	Steam hose 70x5	2
32	2066.0516	Hose clamp 60-80 mm	4
33	44.01.086	Steam pipe	1
37	44.01.371	Filling level electrode 135mm	1
39	44.01.181	Fixing angle steam generator	2
43	2066.0518	Hose clamp 30mm	2
A	8354.1320	Pump connection spout cpl.	1

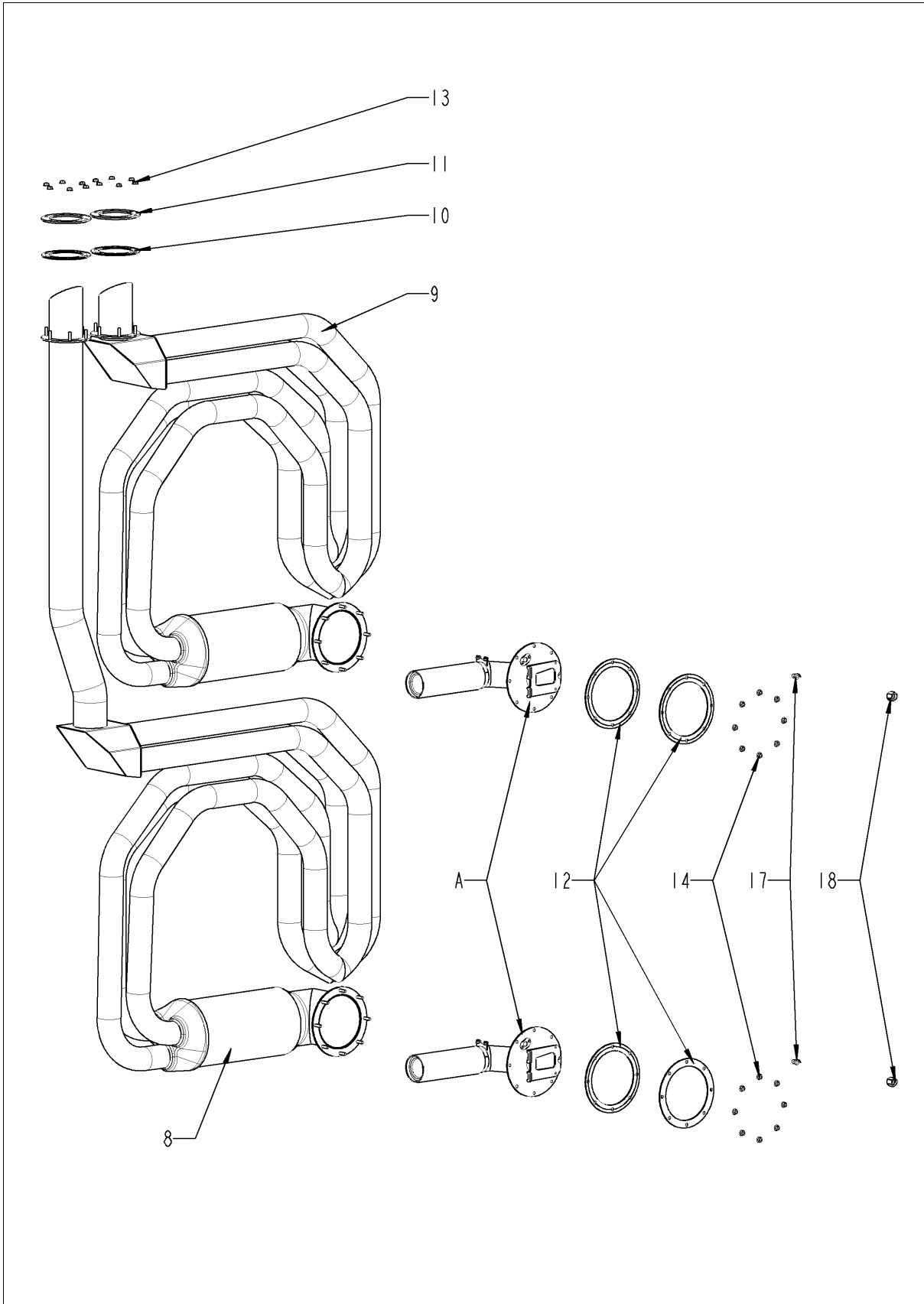
## Pump connection spout



## Pump connection spout

Pos.	Part No.	Description	Qty.
1	2118.1000	Pump connection spout	1
2	2120.1259	Stop plug 10mm	1
3	2110.1008	Silicon hose ø10x2mm	1
4	2066.0527	Hose clamp ø14mm	2
5	2066.0530	Hose clamp ø16.4mm	1
6	2062.0331	Junction pressure hose GS 10	1
7	4005.0101	Tie rap 145 mm	1

## Hot air heating

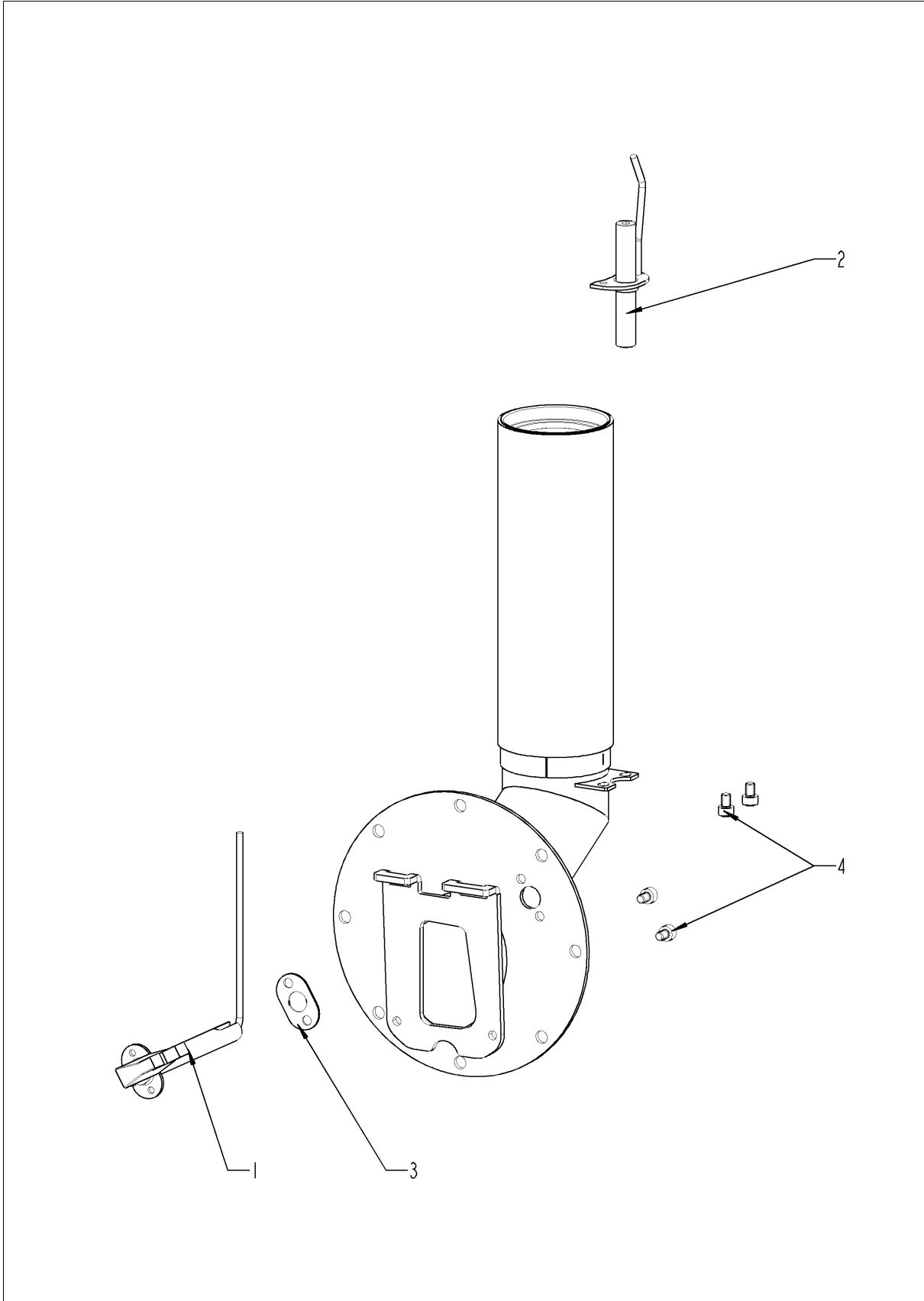




## Hot air heating

Pos.	Part No.	Description	Qty.
8	74.00.806	Hot air heat exchanger below	1
9	74.00.802	Hot air heat exchanger top	1
10	74.00.869	Gasket hot air heat exchanger/interior cabinet	2
11	74.00.868	Mating flange heat exchanger	2
12	74.00.296	Gasket f. heat exchanger below	4
13	10.01.065	Hex nut M5	12
14	10.01.065	Hex nut M5	16
17	50.01.471	Nozzle f. moistening	2
18	50.00.846	Union nut M12x13.2 N	2
A	74.00.830	Burner hot air	2

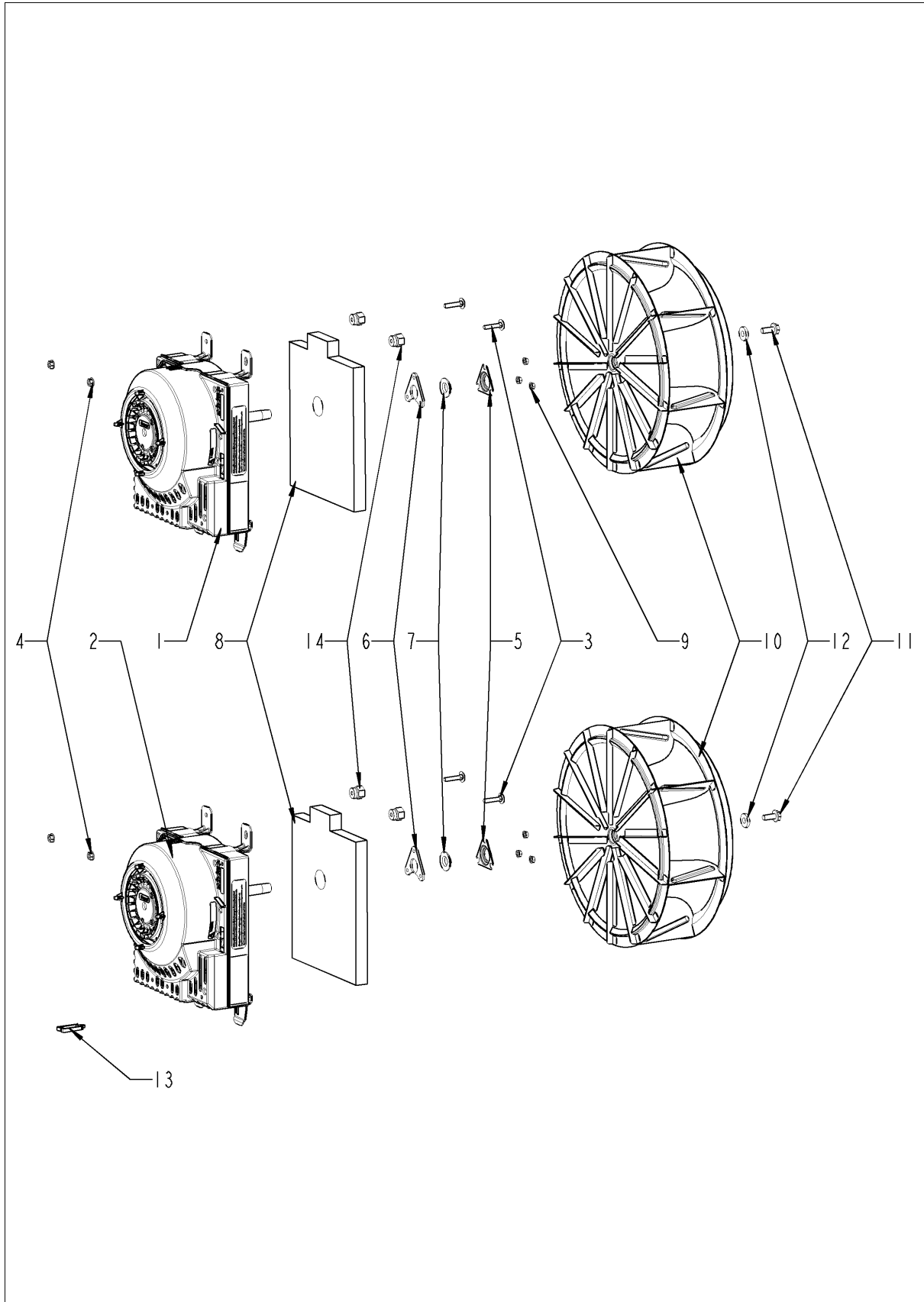
## Burner hot air



## Burner hot air

Pos.	Part No.	Description	Qty.
1	74.00.034	Ignitionelectrode, hot air	1
2	74.00.873	Earth electrode, hot air	1
3	74.00.290	Gasket electrode hot air	1
4	10.00.696	Allen screw M4x6 w. Precoat 85	4

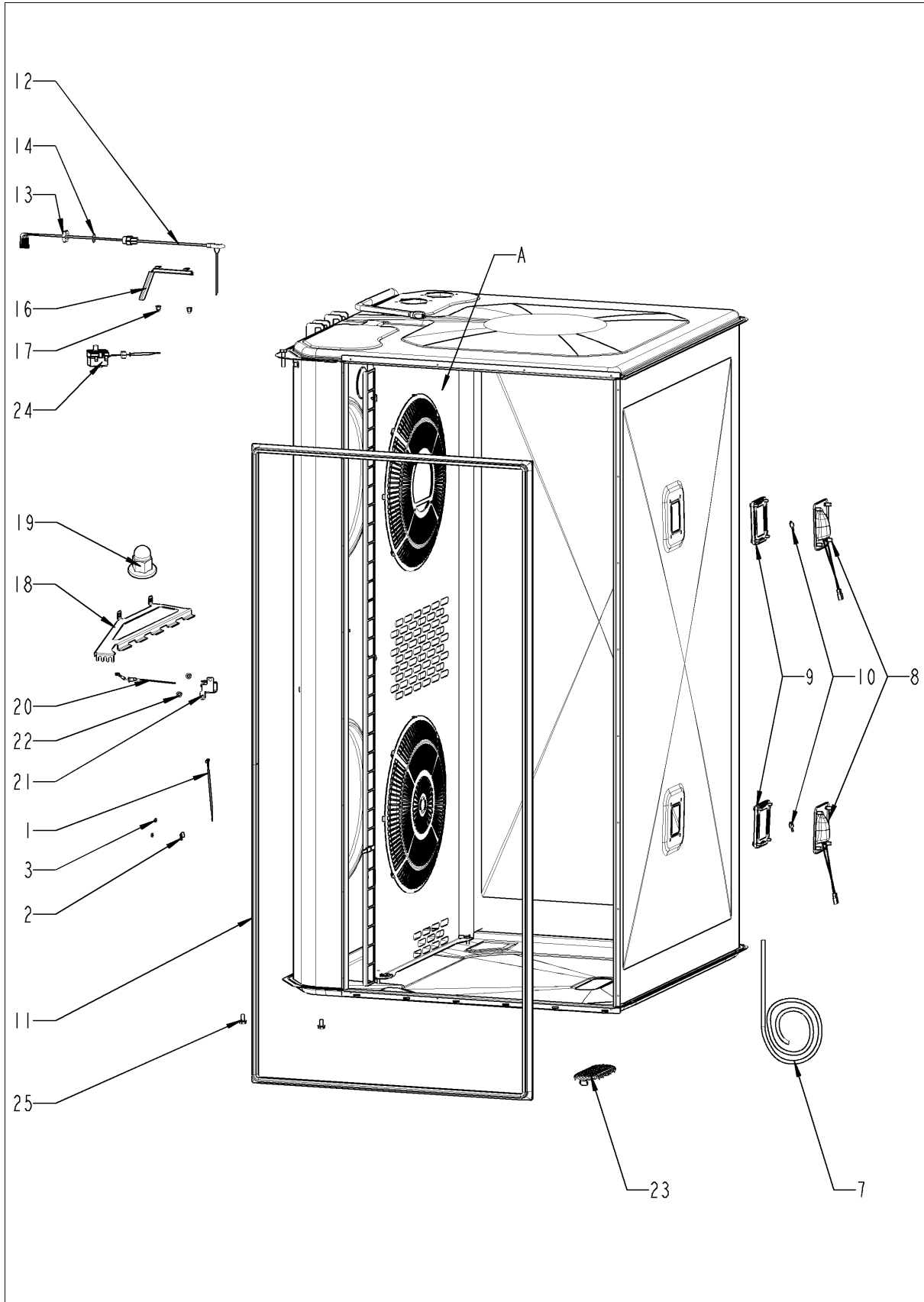
## Motor and fan wheel



## Motor and fan wheel

<b>Pos.</b>	<b>Part No.</b>	<b>Description</b>	<b>Qty.</b>
1	40.03.513	Fan motor	1
2	40.03.513	Fan motor	1
3	10.01.049	Square necked mushroom head bolt 6x30	8
4	10.00.709	Hex nut M6 w. locking	4
5	22.00.721	Flange f. motor shaft gasket	2
6	22.00.722	Mounting support f. gasket flange	2
7	22.00.083	Motor shaft gasket	2
8	20.01.755	Isolation for mounting plate for motor	2
9	10.01.065	Hex nut M5	6
10	22.00.829	Fan wheel	2
11	10.00.565	Hex screw M8x20	2
12	1308.0162	Washer A8,4	2
13	10.00.112	Cable clip short	1
14	20.01.411	Bushing for motor mounting bar	8

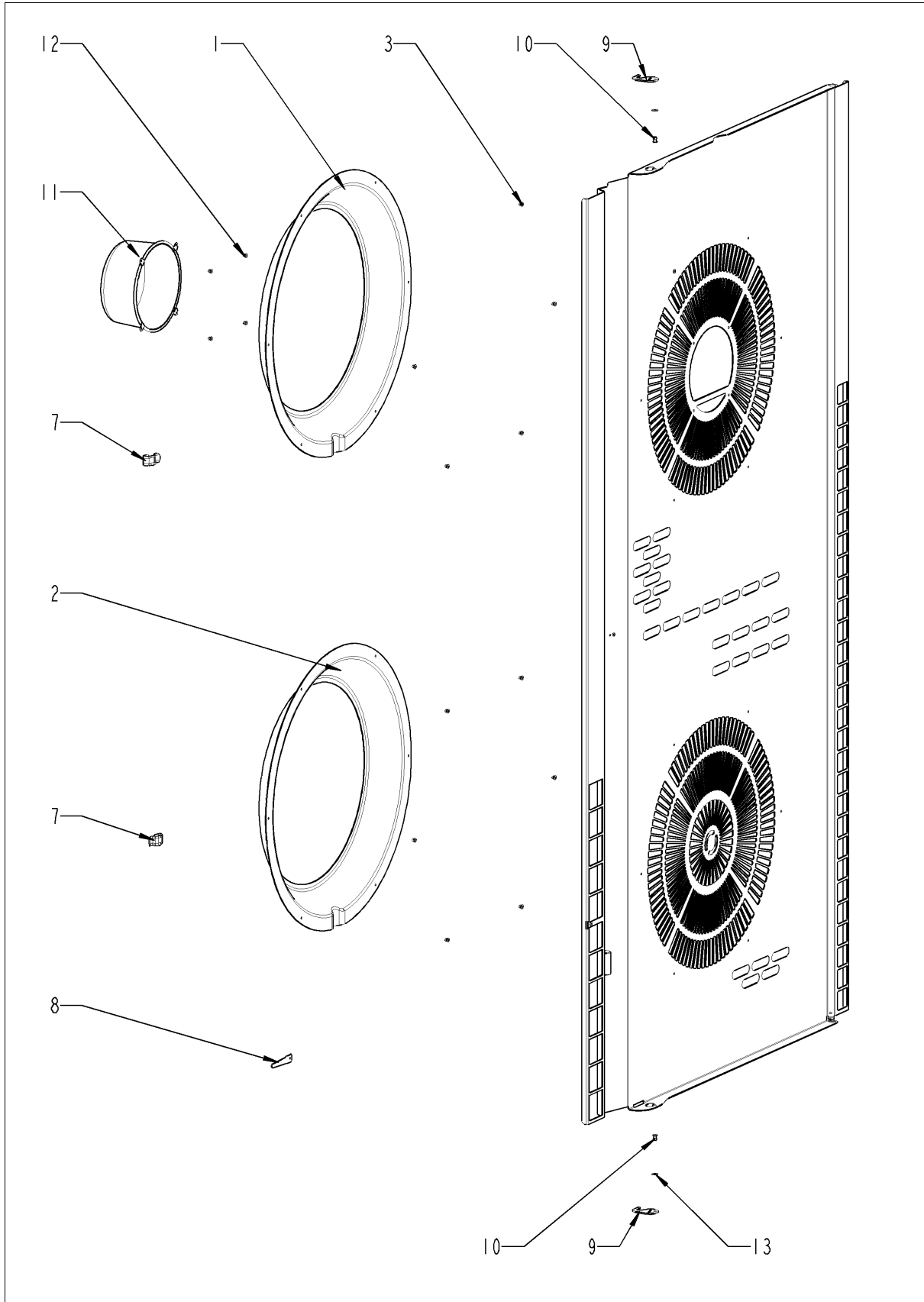
## Interior cabinet



## Interior cabinet

<b>Pos.</b>	<b>Part No.</b>	<b>Description</b>	<b>Qty.</b>
1	40.00.399	Thermocouple humidity	1
2	10.00.087	Clamp strap f. sensor	1
3	10.00.100	Hex nut M4, self-locking	1
7	40.03.532	Wiring interior light	1
8	40.00.098	Reflector f. interior light	2
9	40.00.091	Gasket frame w. glass a. gaskets	2
10	3024.0201	Halogen bulb 300°C	1
10	3024.0201	Halogen bulb 300°C	1
11	20.00.399	Door gasket	1
12	40.02.101	Meat probe sensor	1
13	10.00.612	Hex nut M16 flat	1
14	1315.0104	Copper washer 16x20x1,5	1
16	40.01.317	Screen core temperature sensor	1
17	10.01.076	Cap nut M5*A2	2
18	22.00.781	Air baffle support	1
19	10.01.076	Cap nut M5*A2	4
20	40.03.528	Thermocouple interior cabinet B1	1
21	40.03.782	Screen interior cabinet sensor	1
22	10.01.076	Cap nut M5*A2	2
23	54.01.117	Outlet sieve	1
24	40.01.482	Safety temperature limiter 365°C	1
25	3014.0327	Hex nut M10x1,0	1
A	22.00.751	Air baffle	1

## Air baffle

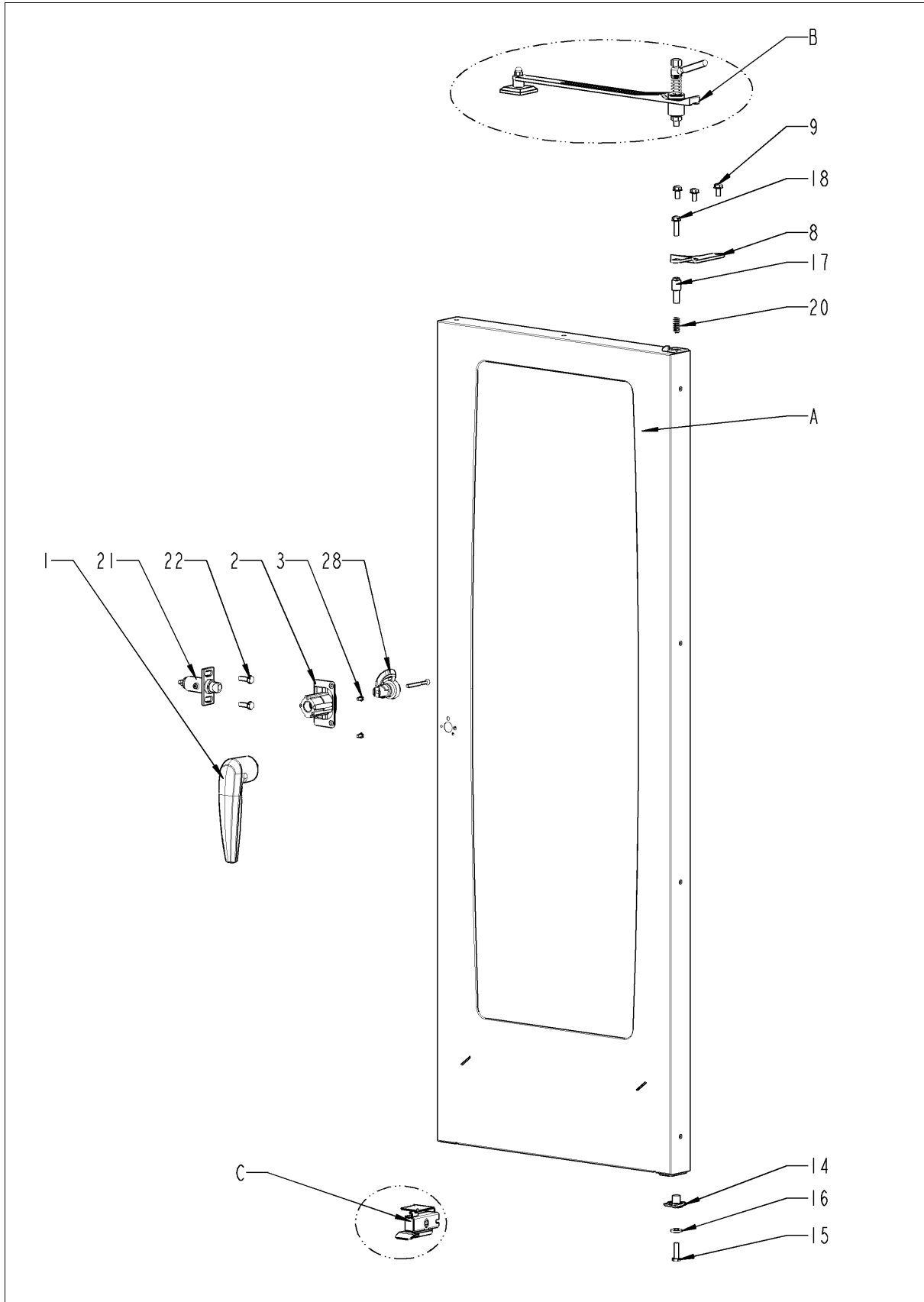




## Air baffle

Pos.	Part No.	Description	Qty.
1	22.00.836	Air sucking ring f. air baffle	1
2	22.00.836	Air sucking ring f. air baffle	1
3	10.00.515	Rivet 3,2x5 A4	12
7	40.03.780	Fixing clip core temp. cable	3
8	22.00.491	Surge guard for Meat probe sensor	1
9	2760.1370	Latch hook for air baffle	2
10	1604.0167	Rivet 4x10	3
11	22.00.361	Deep-draw f. air baffle	1
12	10.00.515	Rivet 3,2x5 A4	4
13	10.00.744	Washer A4,3 *A4	1

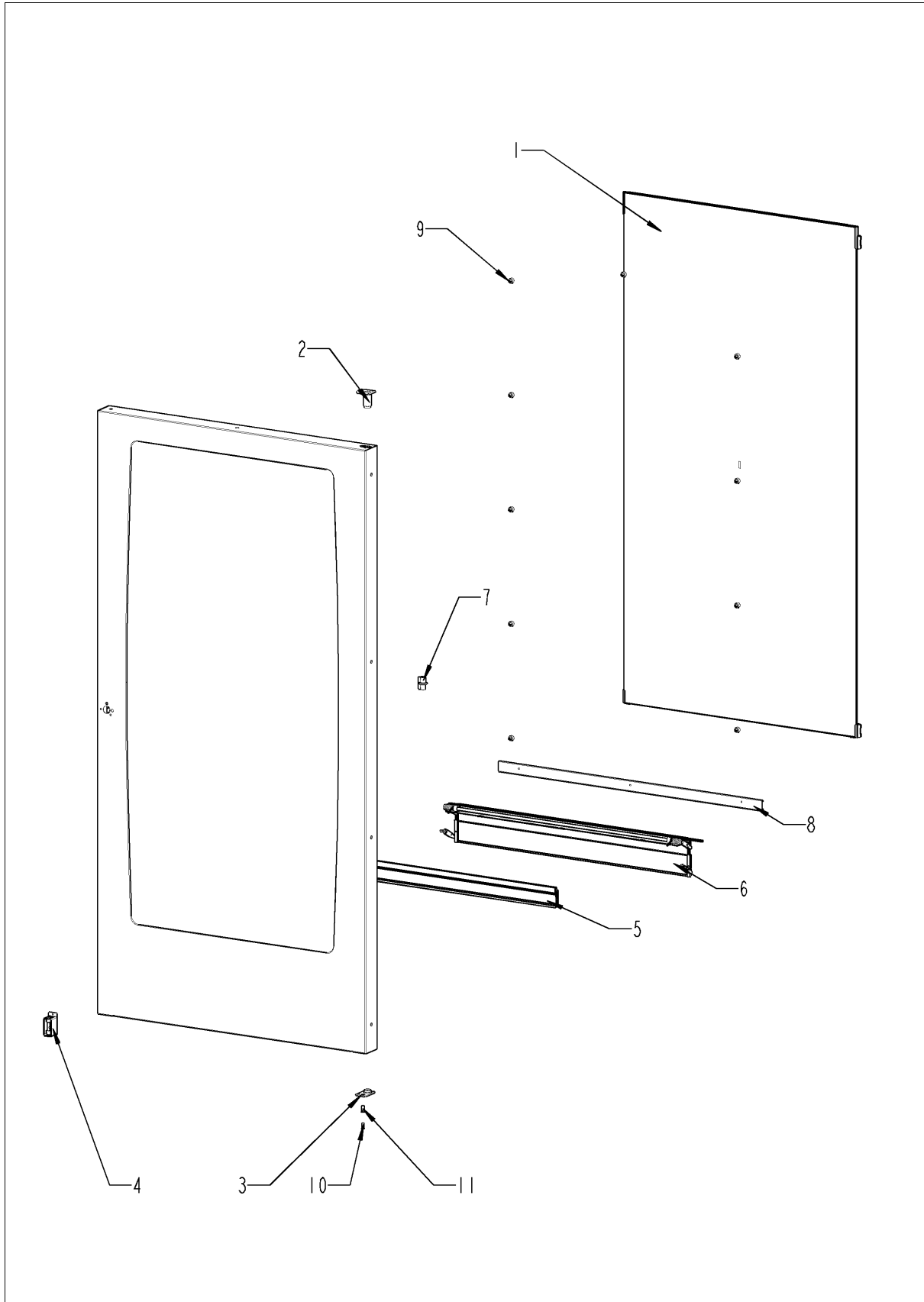
# Door



## Door

<b>Pos.</b>	<b>Part No.</b>	<b>Description</b>	<b>Qty.</b>
1	24.00.136	Door handle	1
2	24.01.350	Door lock	1
3	10.00.697	Hex screw M5x10 w. precoat 85	2
4	1305.0160	Washer A5,3x10mm	2
5	10.00.090	Cap f. Torx T30	1
7	10.00.696	Allen screw M4x6 w. Precoat 85	2
8	24.00.133	Door mounting support top	1
9	1008.0768	Ornamental screw M8x16	3
14	24.00.145	Door bolt	1
15	1008.0766	Hex screw M8x30	1
16	1308.0162	Washer A8,4	1
17	24.00.048	Door bolt	1
18	1008.0769	Ornamental screw M8x30	1
20	2001.0109	Compression spring	1
21	24.01.351	Door catch	1
22	1008.0761	Hex screw M8x25	2
28	87.00.540	Door bolt cpl.	1
A	24.00.126	Door	1

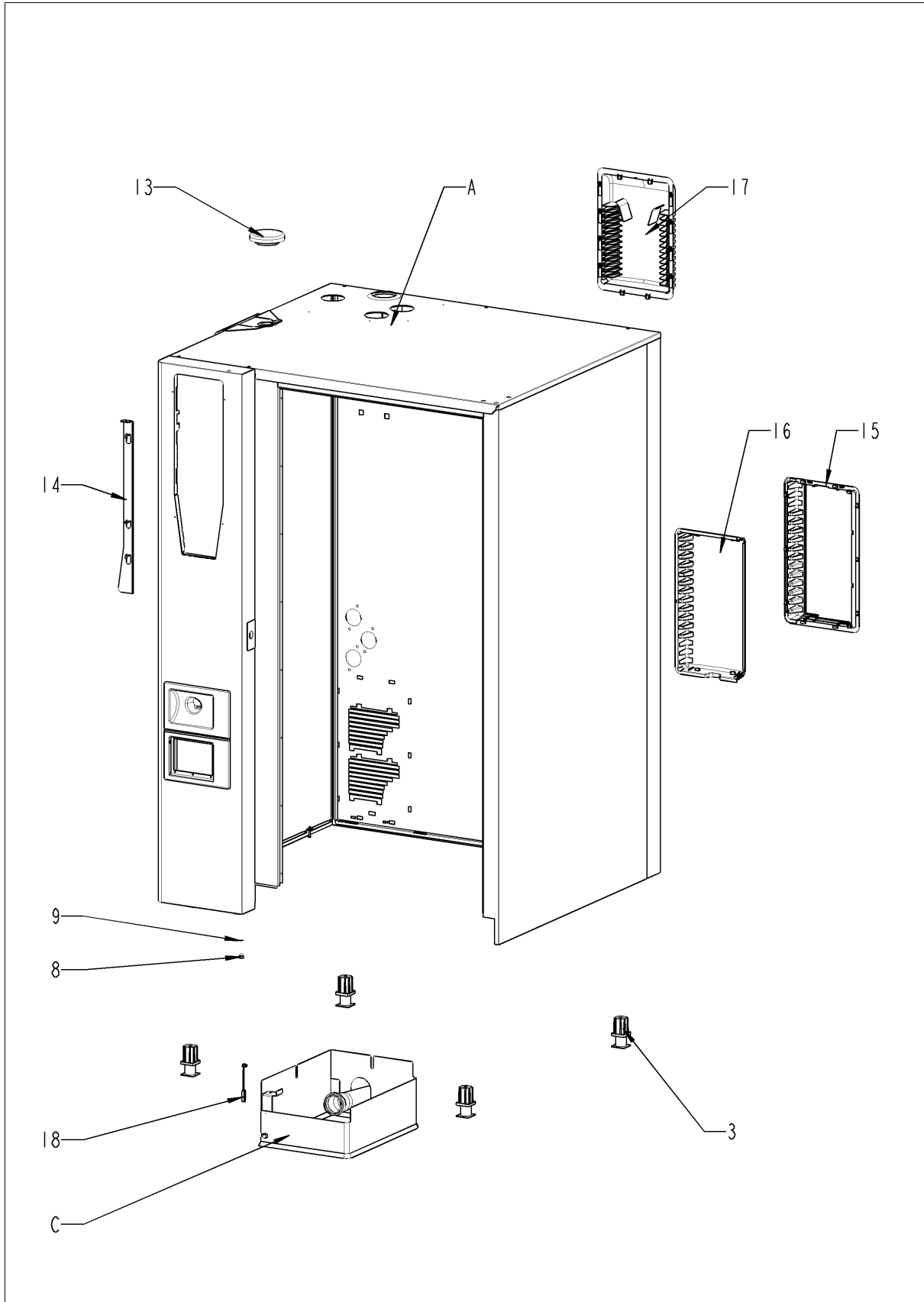
## Door



## Door

<b>Pos.</b>	<b>Part No.</b>	<b>Description</b>	<b>Qty.</b>
1	24.00.212	Inner glass pane	1
2	24.00.147	Sleeve for door bolt top	1
3	24.00.159	Door setting bolt	1
4	24.01.346	Fixing device f. magnet with magnet, adjustable	1
5	24.00.194	Gasket glass pane/trolley	1
6	24.00.178	Pre heat mechanism f. door cpl.	1
7	24.00.507	Fixing device middle f.inter. glass pane	1
8	24.00.701	Additional gasket f. trolley	1
9	24.01.259	Plastic buffer 8,1mm for door	1
10	1005.1966	Countersunk screw Torx M5x16	2
11	10.00.041	Rivet nut M5 hexagon closed	2

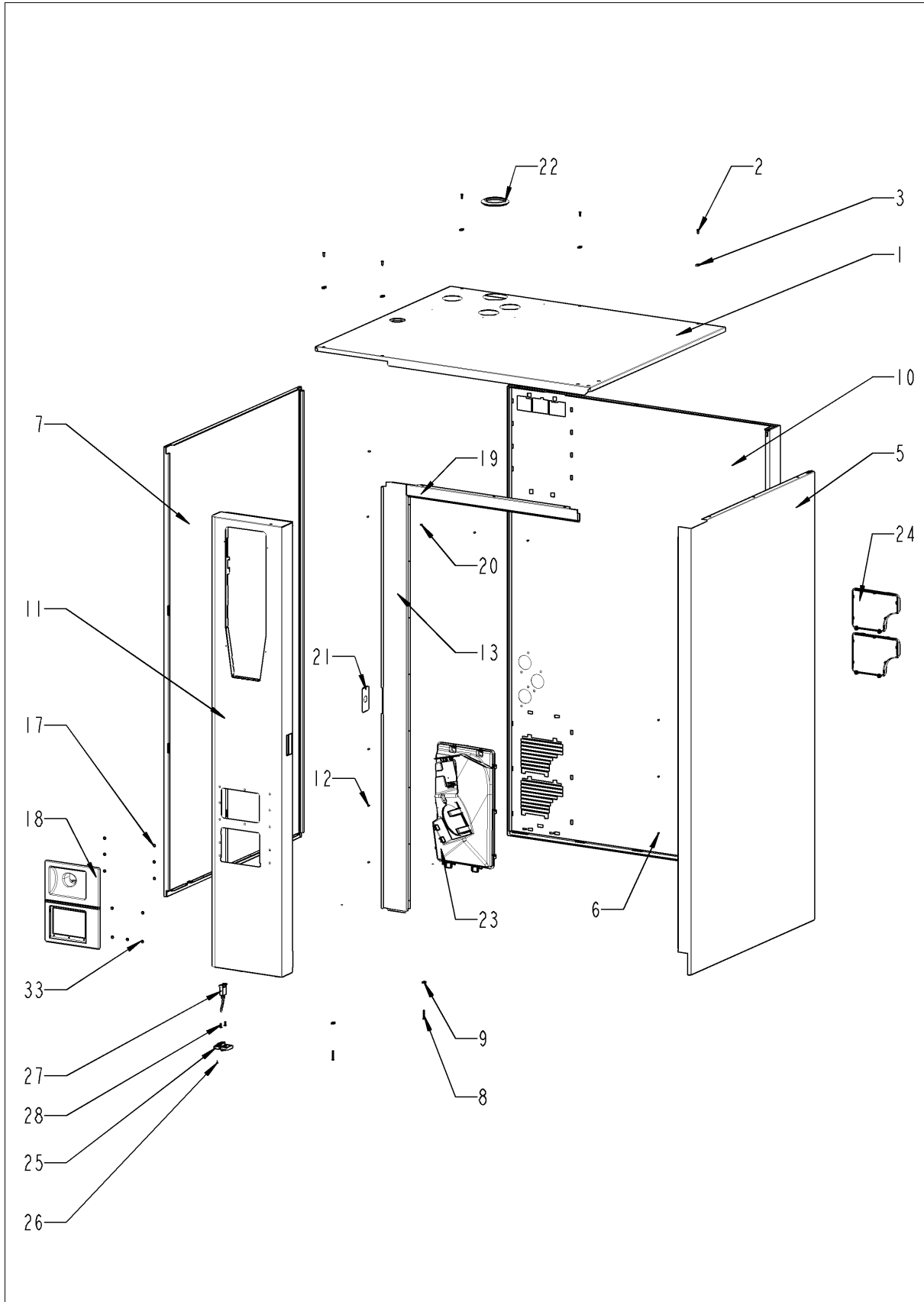
## Exterior cabinet



## Exterior cabinet

<b>Pos.</b>	<b>Part No.</b>	<b>Description</b>	<b>Qty.</b>
3	2039.0111	Foot adjustable, metal, 40 x 40	4
8	10.00.745	Cap nut M6*A2	1
9	1206.0120	Tooth lock washer A6,4	1
13	22.00.767	Vent cover	1
14	16.01.965	Opening mechanism for panel insert	1
15	40.03.385	Frame for air inlet filter	1
16	40.03.392	Cover for air inlet filter	1
17	40.03.366	Cover air outlet	1
18	40.00.454	Door switch 1.65m	1
A		Exterior cabinet	1
C	12.01.142	NSF housing floor units 201-202	1

## Exterior cabinet

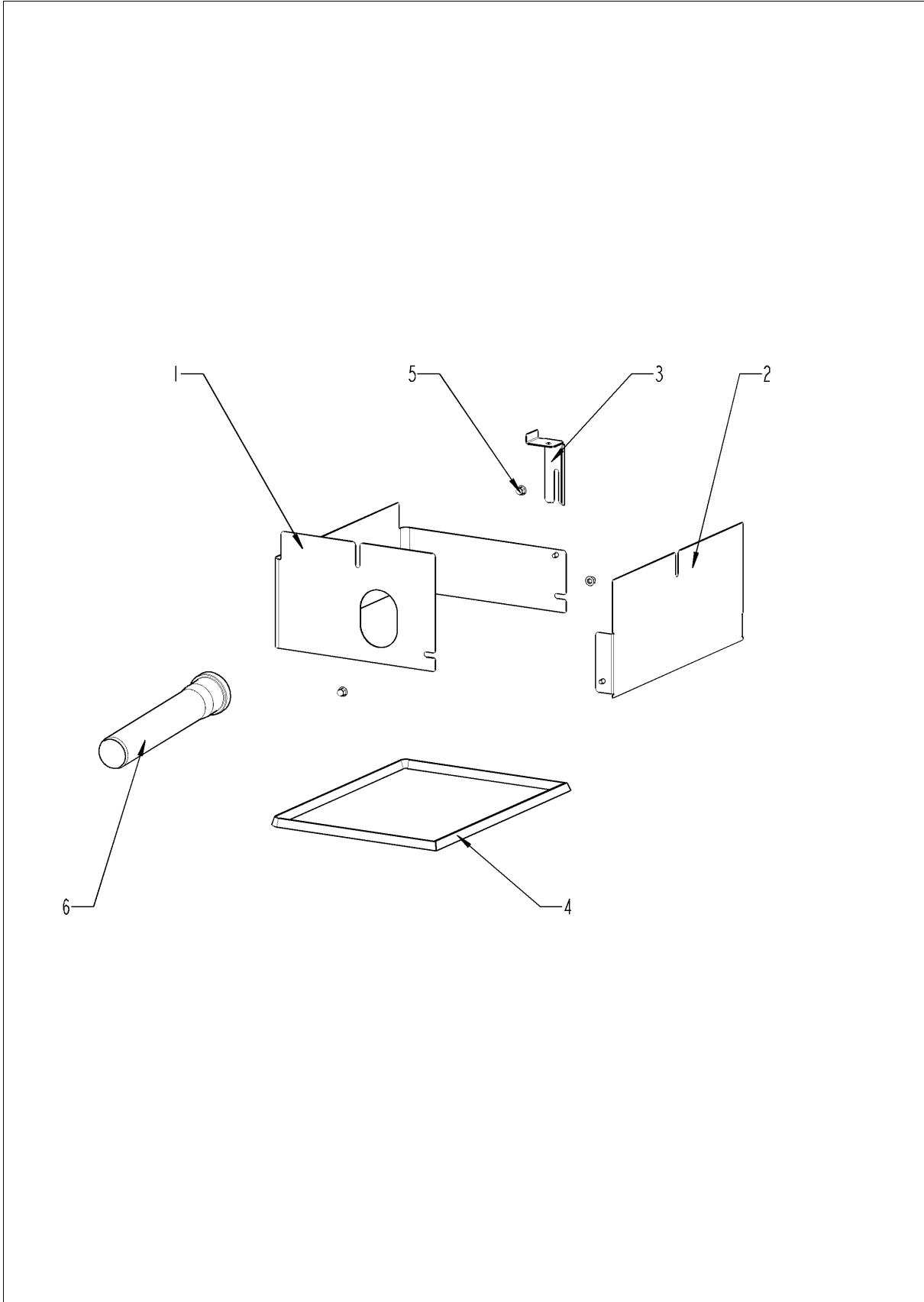




## Exterior cabinet

<b>Pos.</b>	<b>Part No.</b>	<b>Description</b>	<b>Qty.</b>
1	16.02.169	Top cover	1
2	1003.2265	Countersunk self tapping screw 4,2x16	5
3	1104.0820	Snap nut 4,2mm	5
4	1004.2160	Hex self tapping screw 4,2x16	4
5	16.00.158	Side panel right	1
6	1603.0166	Rivet 3,2x7,9 CNS closed	8
7	16.00.139	Side panel left	1
8	10.00.992	Hex self tapping screw B4,2x32	2
9	1104.0820	Snap nut 4,2mm	2
10	16.01.844	Back panel	1
11	16.01.863	Front panel	1
12	1603.0166	Rivet 3,2x7,9 CNS closed	8
13	16.00.358	Crossbar front panel	1
14	10.00.745	Cap nut M6*A2	2
18	16.01.942	Tulip for handshower	1
19	16.00.331	Crossbar top	1
20	1603.0166	Rivet 3,2x7,9 CNS closed	4
21	24.02.263	Cover for door latch	1
22	16.01.579	Gasket f. breather tube d=79mm	1
23	40.03.262	Fan housing	1
24	40.02.684	Air inlet filter cpl.	2
25	16.00.329	Cover f. USB interface	1
26	10.00.103	EJOT PT-screw KA 3.5x10	1
27	40.04.047	Interface cable USB 1.6m	1
28	10.00.460	EJOT PT-Screw Torx 3,5x14	2
33	1107.0100	Star lock ø4	12

## NSF housing floor units 201-202

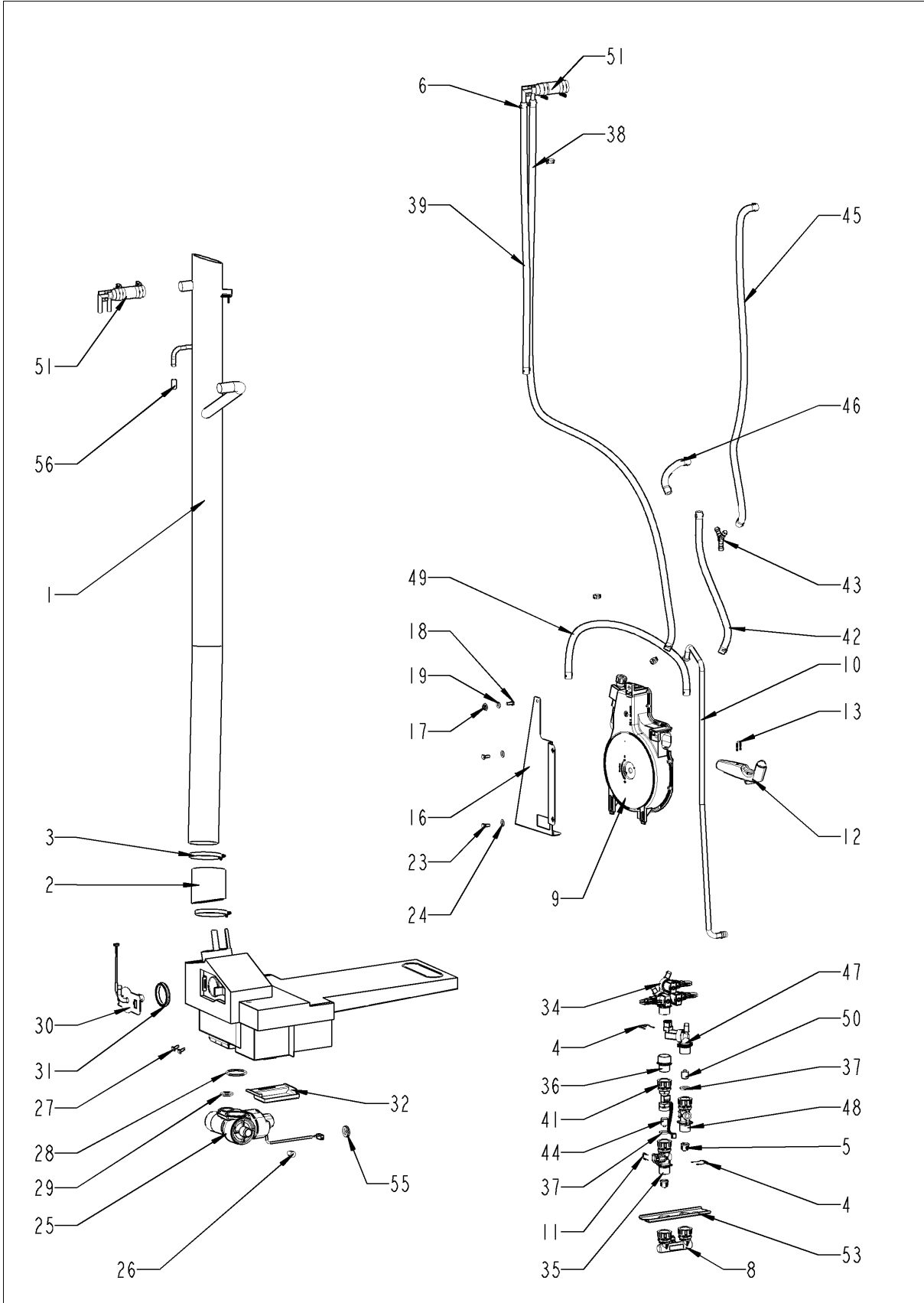


---

## NSF housing floor units 201-202

Pos.	Part No.	Description	Qty.
1	12.01.153	NSF housing right floor units 201-202	1
2	12.01.154	NSF housing left floor units 201-202	1
3	12.01.151	Fixing angle NSF housing floor units 201-202	1
4	12.01.140	Gasket NSF housing floor units 201-202	1
5	10.00.745	Cap nut M6*A2	3
6	2070.0054	HT pipe, DN 50, 250 mm	1

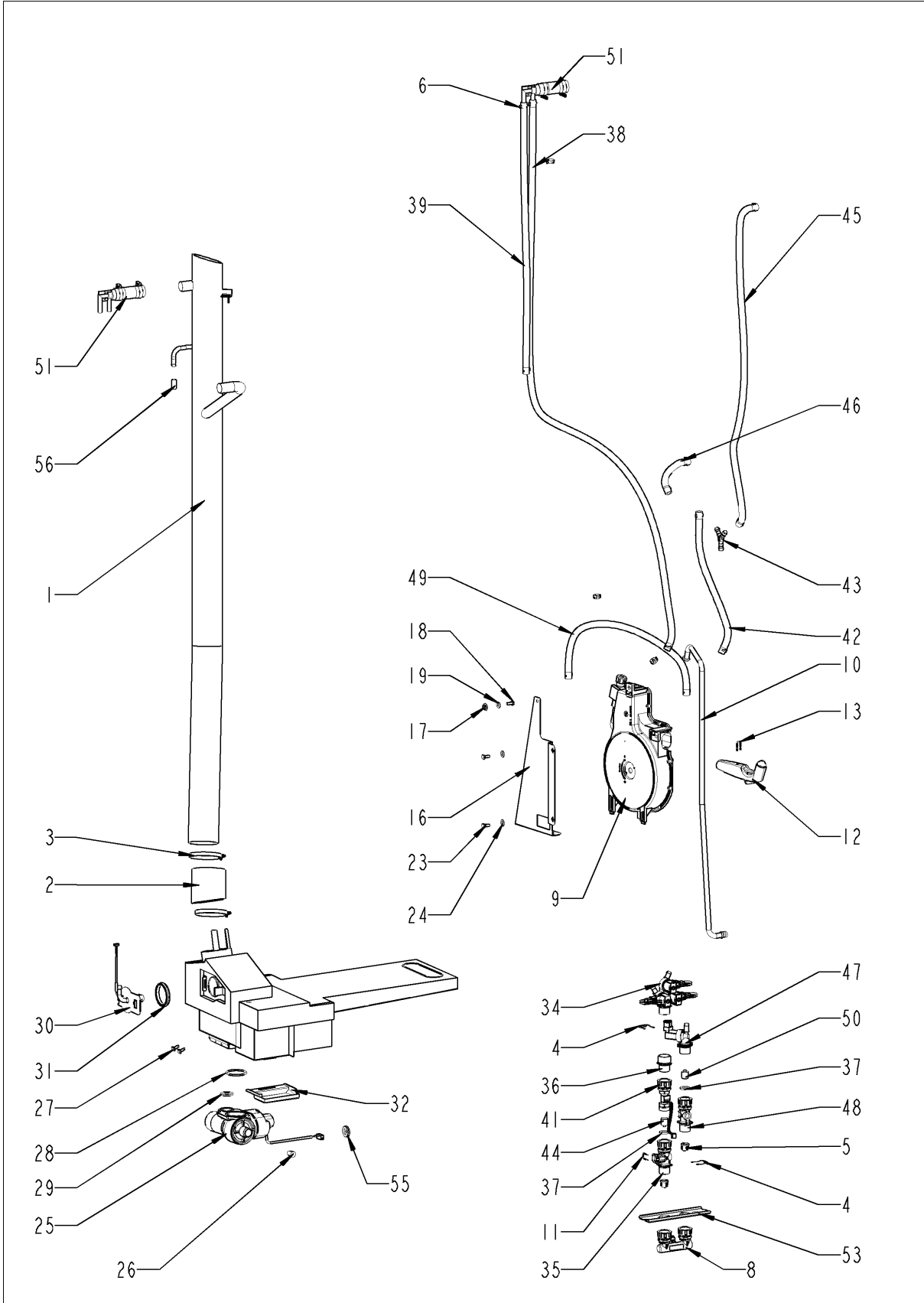
# Water



## Water

Pos.	Part No.	Description	Qty.
1	54.00.984	Ventilation pipe	1
2	54.01.045	Hose 76x5mm	1
3	2066.0505	Hose clamp 70-90mm	2
6	2066.0205	Hose clamp 8-16x9 mm SW 7mm	3
8	8664.1301	T-fitting water connection	1
9	50.01.239	Hand shower roll guide *lead free*	1
10	50.01.213	Connect. pipe f. hand shower roll guide	1
10	50.01.373	Connect. pipe f. hand shower roll guide	1
11	50.00.085	Plug-in spring f. hand shower roll guide	1
12	50.00.130	Hand shower	1
13	50.00.156	Clamp f. hand shower roll guide	1
16	50.00.278	Mounting device f. hand sh. roll guide	1
17	1106.0803	Hex combination nut M6 galv	1
18	1006.0760	Hex screw M6x16	1
19	1306.0222	Washer A6,4x15x1,5	1
20	50.00.548	Hose ø10x2x500 f. hand shower	1
21	2066.0527	Hose clamp ø14mm	1
22	10.00.661	Edge protection profile	1
23	10.00.099	Hex screw M8x12	2
24	1308.0160	Washer A8,4	2
25	54.01.291	Ball valve drain SCC cpl.	1
26	10.00.369	Plug cone shaped	1
27	10.00.449	Pan head screw M6x16	2
28	10.00.511	O-ring for ball valve drain 46x3.5	1
29	10.00.512	O-ring for ball valve drain 26x3.5	1
30	54.01.254	Inspection lid, quenching nozzle, B2	1
31	54.01.168	Gasket f. inspection lid quenching	1
32	54.01.191	Collecting pan	1
33	10.00.745	Cap nut M6*A2	1
34	50.01.050	Triple solenoid valve	1
35	50.00.072	Water distribution vert roll guide con.	1
36	2062.0333	Housing for non returne valve	1
37	5110.1024	Gasket for G3/4" threaded joint	1
38	2067.0050	Pressure hose d10mm	1.93
39	2067.0050	Pressure hose d10mm	.84
41	50.01.195	Water volume sensor with wire	1

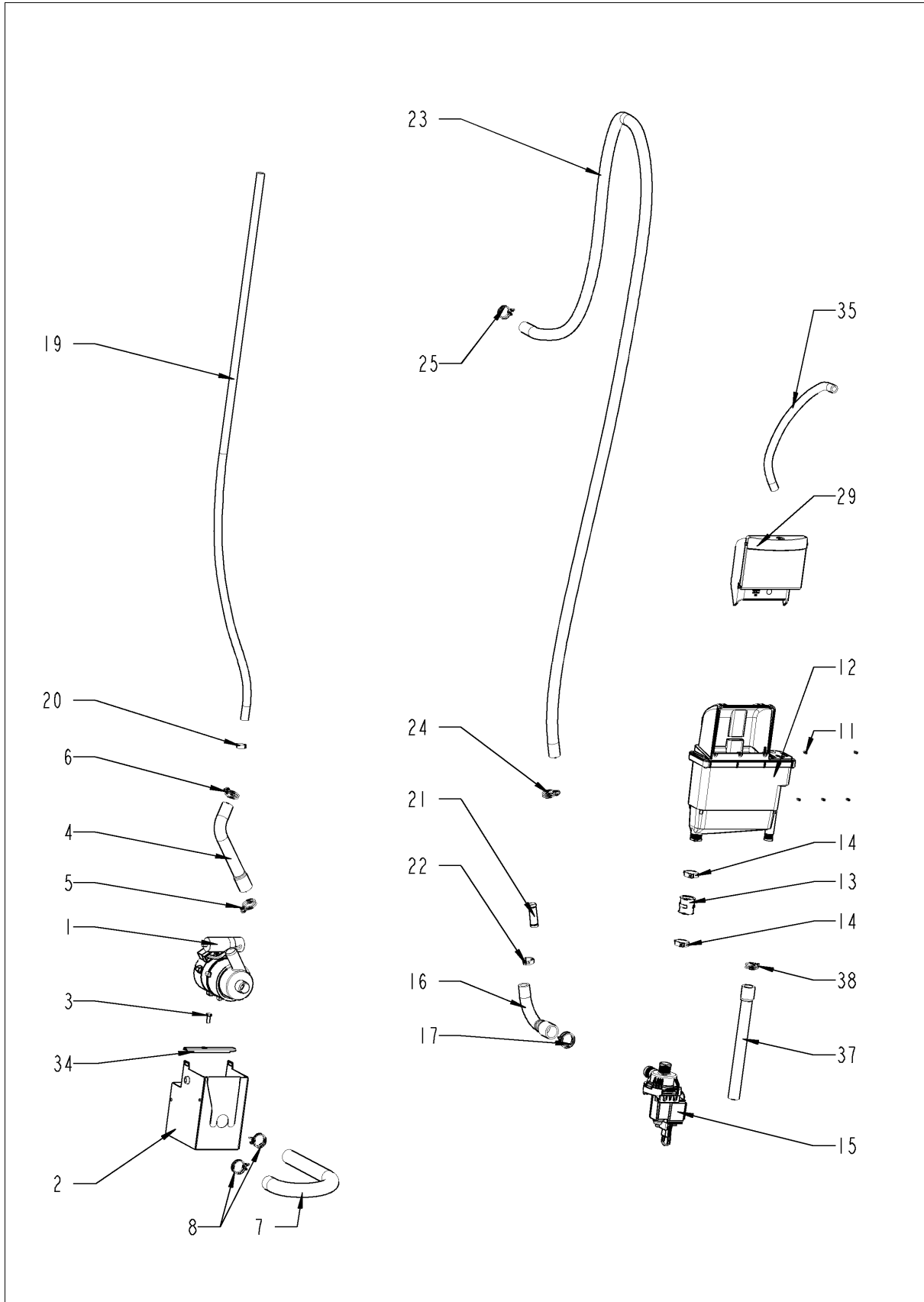
Water



## Water

<b>Pos.</b>	<b>Part No.</b>	<b>Description</b>	<b>Qty.</b>
42	2067.0050	Pressure hose d10mm	.56
43	2062.0303	Y-fitting YS10	1
44	2069.0107	Non return valve DN6 steam generator	1
45	2067.0050	Pressure hose d10mm	.78
46	2067.0050	Pressure hose d10mm	.31
47	50.01.146	Single solenoid valve	1
48	50.00.073	Water distribution vert w/o roll guide con.	1
49	2067.0050	Pressure hose d10mm	.85
50	50.00.078	Non return valve DW16/DN12	2
51	8354.1304	Venting valve for steam generator	1
52	1900.0202	Water filter	3
53	50.01.543	Mounting device f. water distribution	1
54	50.00.086	Locking plate f. water distribution	2
55	2022.0101	Grommet d8mm	1
56	10.00.991	Sealing cap	1

## CleanJet + Care

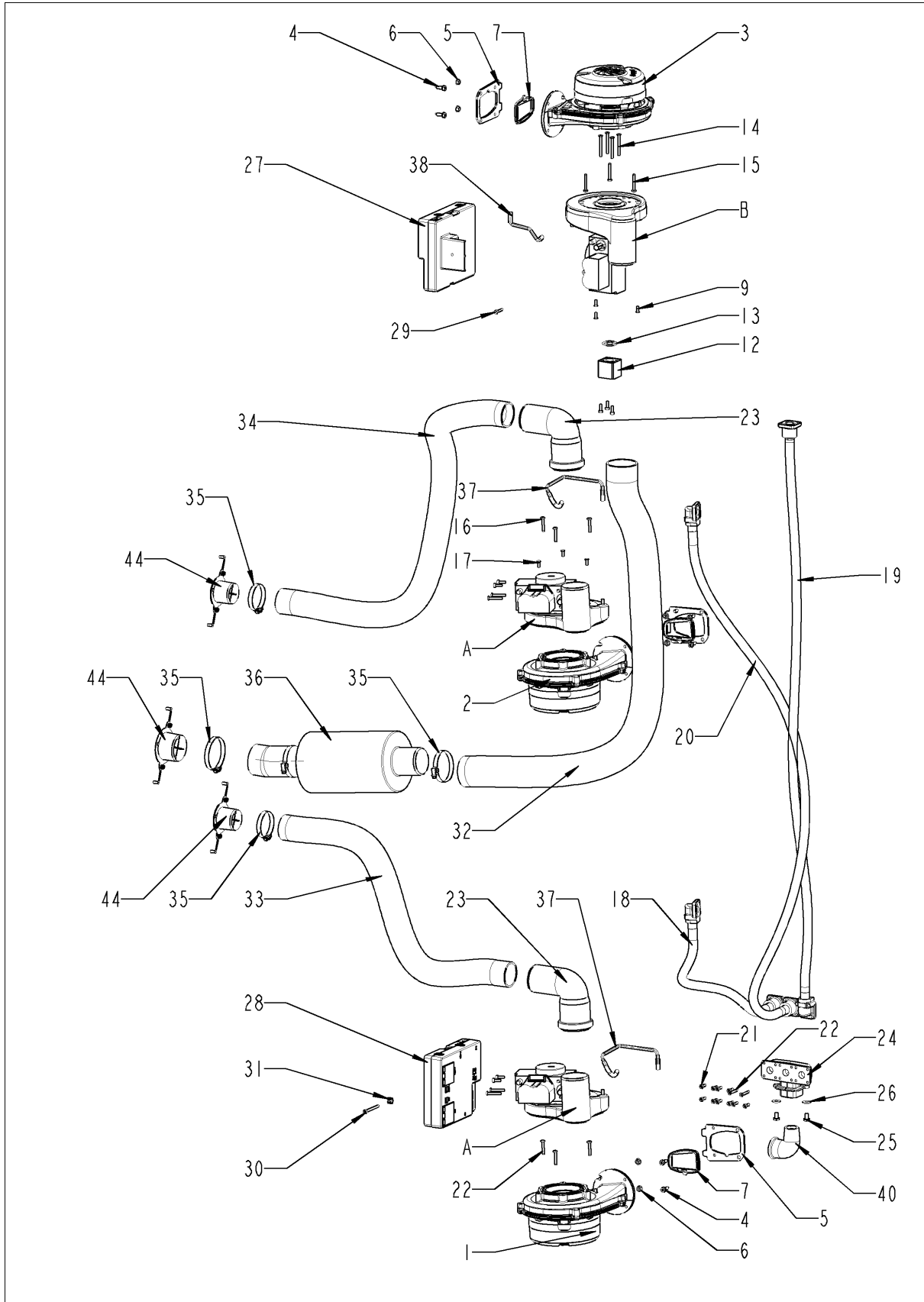




## **CleanJet + Care**

<b>Pos.</b>	<b>Part No.</b>	<b>Description</b>	<b>Qty.</b>
1	56.00.186	Pump f. cleaning UP30	1
2	12.00.897	Housing f. Cleaning pump	1
3	1004.0666	Hex screw M4x10	1
4	56.00.175	Pressure hose f. cleaning	1
5	2066.0518	Hose clamp 30mm	1
6	2066.0521	Hose clamp 27mm	1
7	56.00.176	Suction hose f. cleaning	1
8	2066.0518	Hose clamp 30mm	2
11	10.00.980	EJOT PT-Screw K30x10	5
12	56.00.507	Care container floor unit	1
13	56.00.462	Bushing care container/pump	1
14	10.00.984	Hose clamp CLIC d=27.5mm	2
15	56.00.460	Pump f. CareControl DPS 35	1
16	56.00.541	Care hose 1	1
17	2066.0518	Hose clamp 30mm	1
21	56.00.537	Pipe f. Care hose	1
22	10.00.983	Hose clamp CLIC d=23mm	1
23	56.00.420	Care hose 2	1
24	10.00.605	Hose clamp ø25.3	1
25	10.00.979	Cable clamp D=22	1
26	10.00.916	Hex nut M4 w. locking	1
27	1004.0666	Hex screw M4x10	2
28	1204.0120	Tooth lock washer A4,3	2
29	56.00.512	Flap Care container	1
34	12.00.291	Mounting for housing of Cleaning pump	1
35	2067.0050	Pressure hose d10mm	1.2
37	56.00.373	Emergency overflow-tube	1
38	10.00.605	Hose clamp ø25.3	1

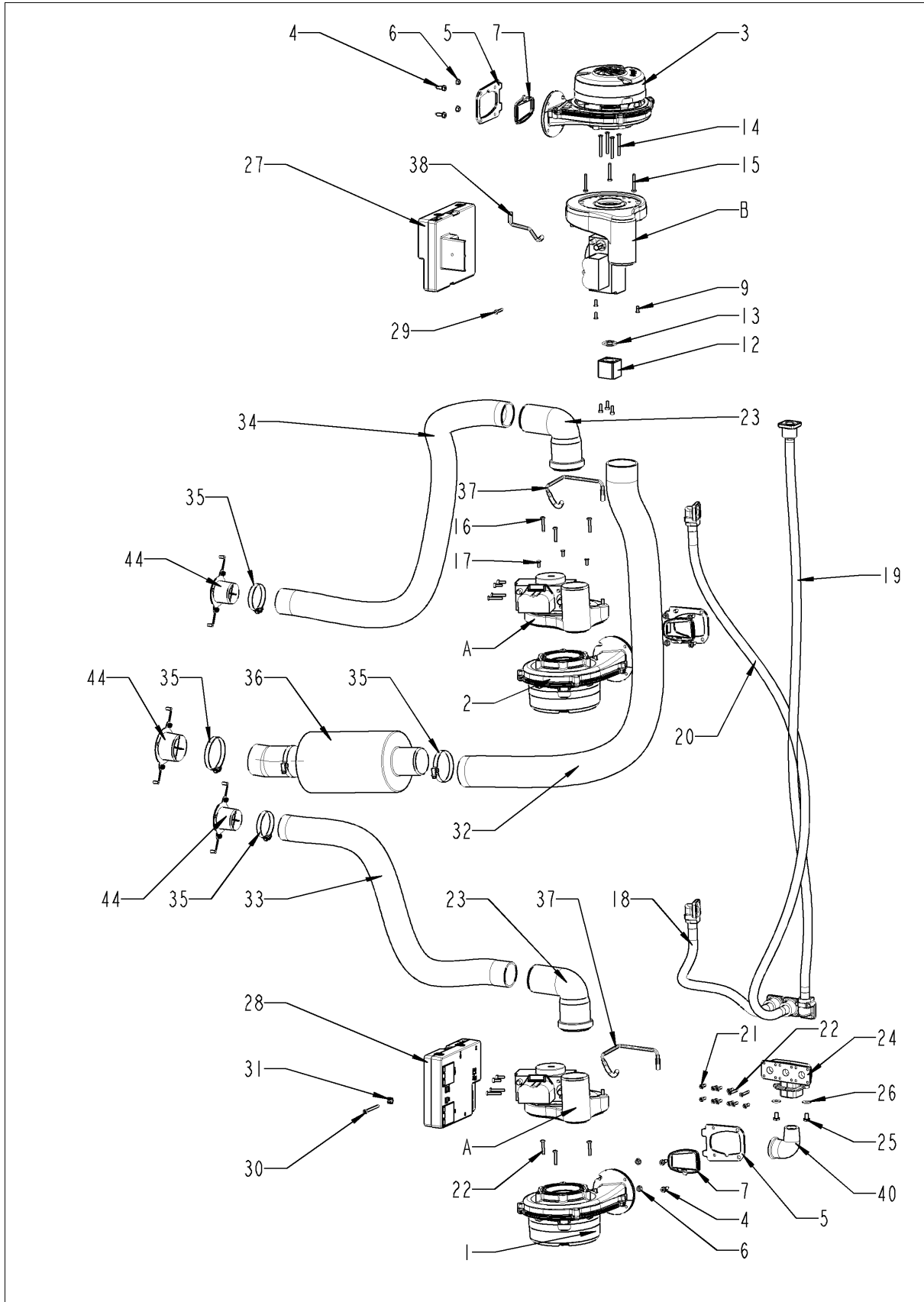
## Gas parts



## Gas parts

Pos.	Part No.	Description	Qty.
1	70.00.566	Blower for burner NRG118	1
2	70.00.566	Blower for burner NRG118	1
3	70.00.566	Blower for burner NRG118	1
4	10.00.990	Hex screw M5x16 Torx T20	6
5	70.00.495	Flange f. burner blower RG118	3
6	10.01.065	Hex nut M5	6
7	70.00.497	Gasket f. blower burner	3
9	10.00.065	Countersunk screw Torx T20 M4x12	3
12	70.00.637	Spacer sleeve f. gas burner blower	1
13	70.00.262	O-ring 21.89x2.62	2
14	10.00.068	Countersunk screw Torx T20 M4x40	4
15	10.00.064	Pan head screw Torx T20 M4x30	3
16	10.00.064	Pan head screw Torx T20 M4x30	6
17	10.00.065	Countersunk screw Torx T20 M4x12	6
18	70.00.531	Corrugated hose 390mm	1
19	70.00.530	Corrugated hose 1250mm	1
20	70.00.201	Corrugated hose 1050mm	1
21	10.00.061	Pan head screw Torx T20 M4x12	18
22	10.00.063	Pan head screw Torx T20 M4x25	6
23	70.00.301	Combustion air angle pipe hot air	2
24	74.00.881	Gas connection manifold 3x3/4"	1
25	1006.0762	Hex screw M6x10	2
26	1306.0222	Washer A6,4x15x1,5	2
27	74.00.883	Automatic ignition controller	1
28	74.00.883	Automatic ignition controller	1
29	10.00.062	Pan head screw Torx T20 M4x20	1
30	10.00.564	Pan head screw Torx T20 M4x45	1
31	1104.0801	Cage nut M4	1
32	70.00.147	Air hose D50x1550mm	1
33	70.00.517	Air hose D50x1000mm	1
34	70.00.135	Air hose D50x1100mm	1
35	2066.0504	Hose clamp 40-60mm	3
36	70.00.703	Sound absorber blower steam generator	1
37	70.00.624	Silicone hose ø8x1,6x141mm	2
38	70.00.623	Silicone hose ø8x1,6x115mm	1
40	70.00.188	Hose fitting 3/4"-3/4"	1

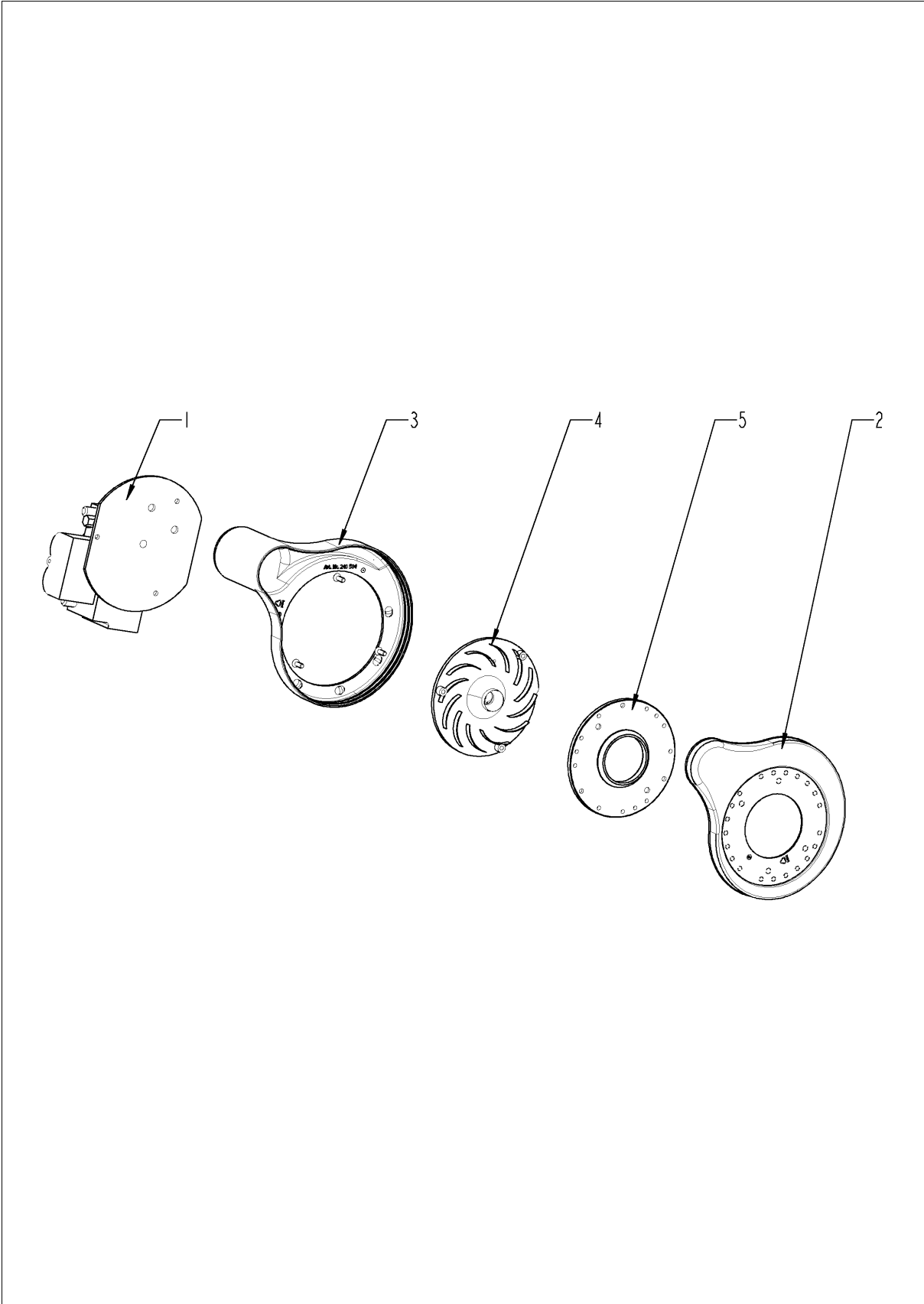
## Gas parts



## **Gas parts**

<b>Pos.</b>	<b>Part No.</b>	<b>Description</b>	<b>Qty.</b>
41	1500.1610	Pipe 3/4" x 80	1
44	70.00.662	Air hose fixing device 50mm	3
A		Gas valve RH	2
B		Gas valve SEP	1

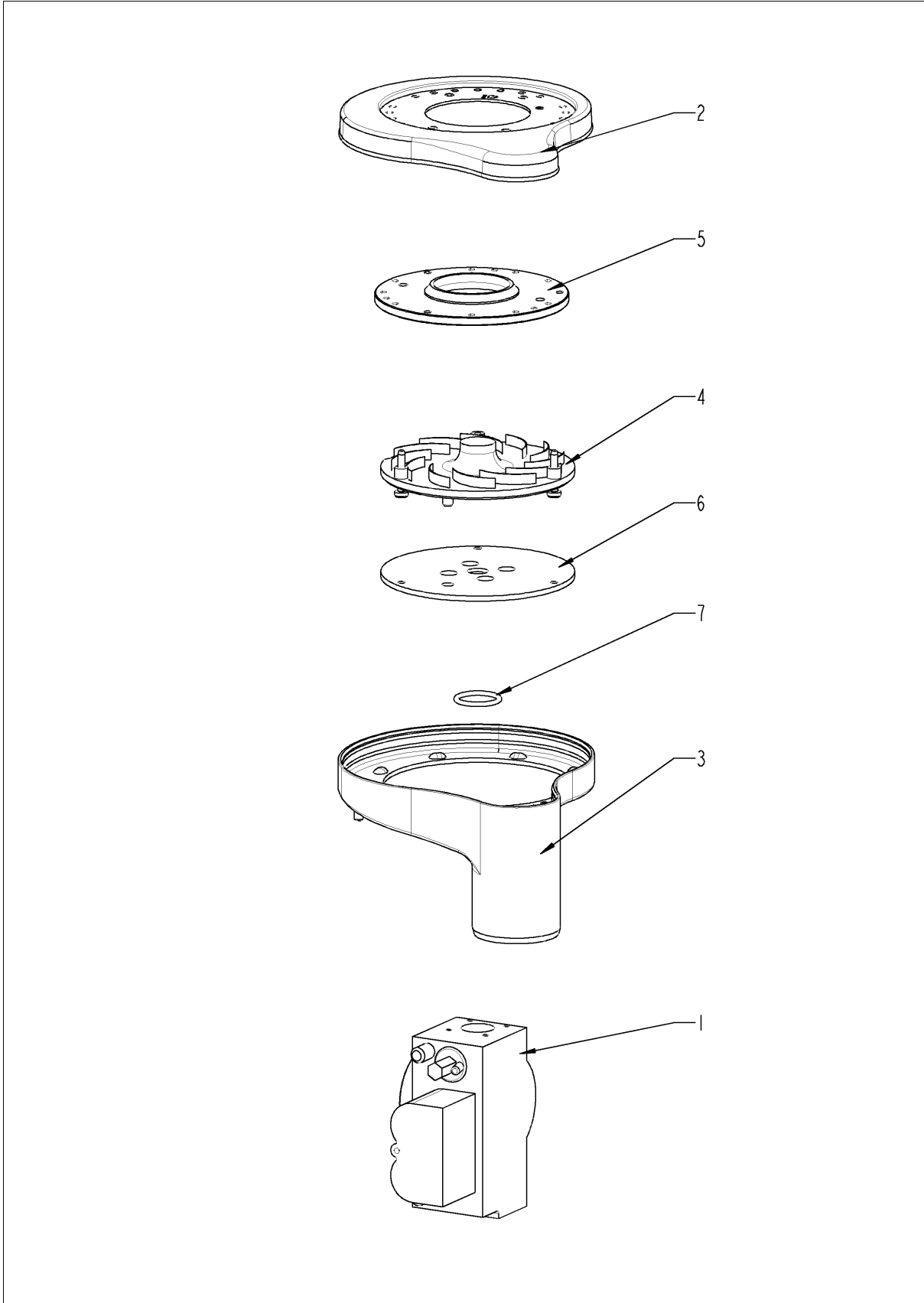
## Gas valve



## **Gas valve**

<b>Pos.</b>	<b>Part No.</b>	<b>Description</b>	<b>Qty.</b>
1	70.00.626	Gas valve RH	1
2	70.00.255	Premix chamber cover gas f. RG130	2
3	70.00.030	Premix chamber gas f. RG130	2
4	70.00.106	Premix disc gas	1
5	70.00.256	Disc premix chamber-blower RG130	1

## Gas valve

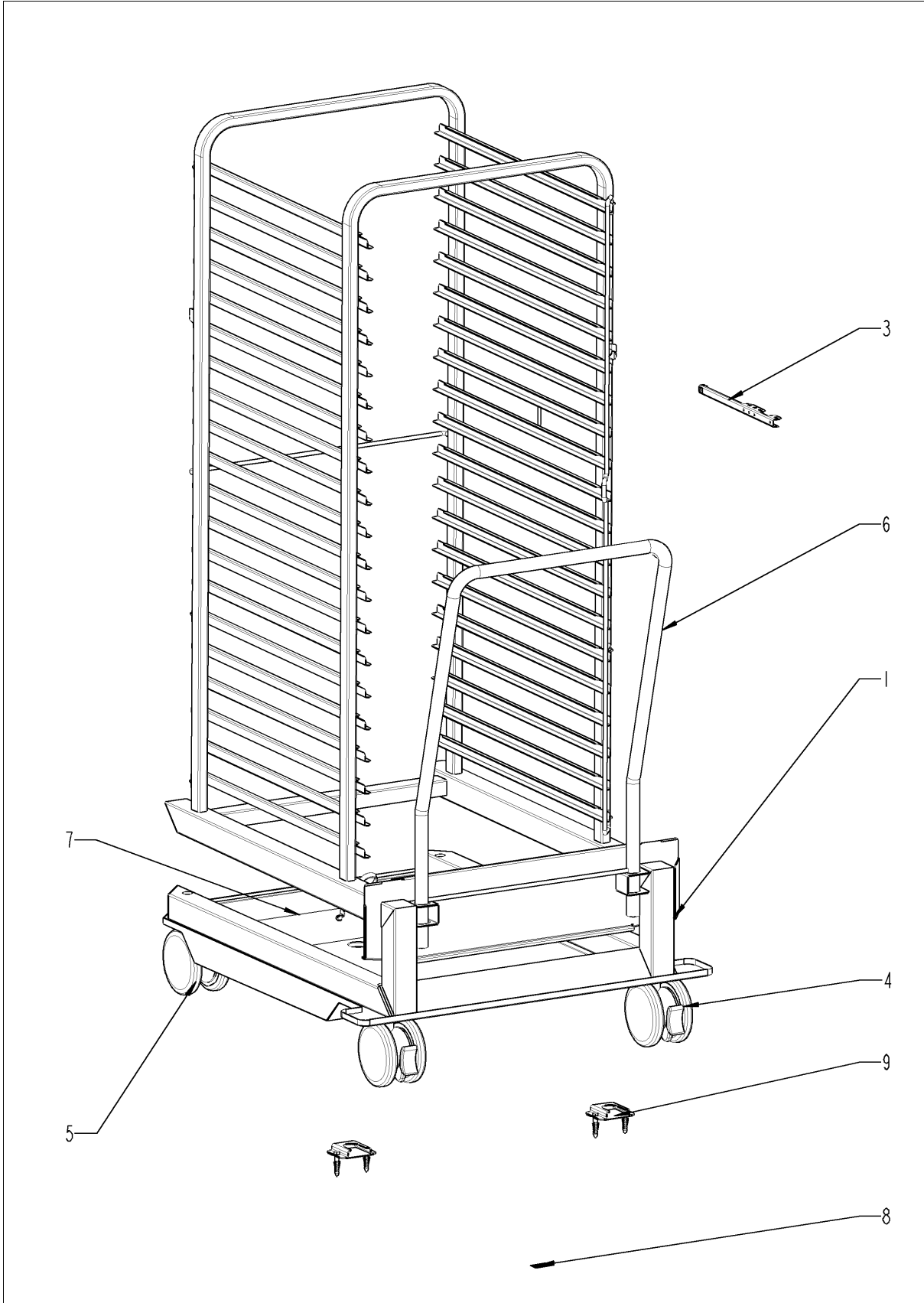




## **Gas valve**

<b>Pos.</b>	<b>Part No.</b>	<b>Description</b>	<b>Qty.</b>
1	70.00.625	Gas valve SEP	1
2	70.00.255	Premix chamber cover gas f. RG130	1
3	70.00.030	Premix chamber gas f. RG130	1
4	70.00.106	Premix disc gas	1
5	70.00.256	Disc premix chamber-blower RG130	1
6	70.00.108	Disc gas valve-premix chamber	1
7	70.00.261	O-ring 17x1.5	1

## Standard accessory



## **Standard accessory**

<b>Pos.</b>	<b>Part No.</b>	<b>Description</b>	<b>Qty.</b>
1	60.22.086V	Mobile oven rack type 202	1
4	60.60.100	Castor with brake ø125mm	1
5	60.60.101	Castor without brake ø125mm	1
6	60.22.072	Handle for mobile oven rack	1
7	60.22.223	Drip collector	1
8	10.01.198	Sticker set	1
9	8700.0317	Floor fixing for units	1
10	60.71.382	Water connection kit, floor unit G/USA	1
11	60.72.406	Holder for handle mobile oven rack Type 202	1

## Index

<b>Part-no.</b>	<b>Description</b>	<b>Page</b>
24.00.701	Additional gasket f. trolley .....	29
22.00.751	Air baffle .....	23
22.00.781	Air baffle support .....	23
70.00.517	Air hose D50x1000mm .....	43
70.00.135	Air hose D50x1100mm .....	43
70.00.147	Air hose D50x1550mm .....	43
70.00.662	Air hose fixing device 50mm .....	45
40.02.684	Air inlet filter cpl. ....	33
22.00.916	Air inlet pipe .....	11
22.00.836	Air sucking ring f. air baffle .....	25
10.00.696	Allen screw M4x6 w. Precoat 85 .....	19, 27
74.00.883	Automatic ignition controller .....	43
16.01.844	Back panel .....	33
54.01.291	Ball valve drain SCC cpl. ....	37
70.00.566	Blower for burner NRG118 .....	43
74.00.830	Burner hot air .....	17
70.00.472	Burner pipe .....	13
72.00.088	Burner steam gen. ....	13
40.03.995	Bus cable 0.85m .....	7
40.04.089	Bus cable 1.15m .....	7
40.03.996	Bus cable 1.15m .....	7
56.00.462	Bushing care container/pump .....	41
20.01.411	Bushing for motor mounting bar .....	21
10.00.979	Cable clamp D=22 .....	41
10.00.111	Cable clip long .....	11
10.00.112	Cable clip short .....	21
40.00.320	Cable connection M20x1.5 .....	7
40.03.453	Cable control harness .....	9
40.04.116	Cable harness isolating transformer .....	9
40.03.516	Cable MMI - CPU .....	5
40.03.515	Cable MMI - TFT .....	5
40.03.467	Cable On-Off switch MMI .....	5

## Index

<b>Part-no.</b>	<b>Description</b>	<b>Page</b>
1104.0801	Cage nut M4 .....	43
10.00.090	Cap f. Torx T30 .....	27
10.01.076	Cap nut M5*A2 .....	23
10.00.745	Cap nut M6*A2 .....	31, 33, 35, 37
56.00.507	Care container floor unit .....	41
56.00.541	Care hose 1 .....	41
56.00.420	Care hose 2 .....	41
60.60.100	Castor with brake ø125mm .....	51
60.60.101	Castor without brake ø125mm .....	51
50.00.156	Clamp f. hand shower roll guide .....	37
10.00.087	Clamp strap f. sensor .....	23
54.01.191	Collecting pan .....	37
70.00.301	Combustion air angle pipe hot air .....	43
2001.0109	Compression spring .....	27
50.01.213	Connect. pipe f. hand shower roll guide .....	37
50.01.373	Connect. pipe f. hand shower roll guide .....	37
40.03.761	Contactora 3TG1010-3AK2 .....	9
87.01.005	Control panel insert with overlay *RAT* .....	5
42.00.160	Control pcb .....	7
42.00.112	Control pcb *TFT* .....	5
40.03.348	Control transformer T1 .....	9
40.03.425	Cooling fan .....	7
40.03.948	Cooling fan with NTC .....	7
1315.0104	Copper washer 16x20x1,5 .....	23
70.00.531	Corrugated hose 390mm .....	43
70.00.201	Corrugated hose 1050mm .....	43
70.00.530	Corrugated hose 1250mm .....	43
1005.1966	Countersunk screw Torx M5x16 .....	29
10.00.065	Countersunk screw Torx T20 M4x12 .....	43
10.00.068	Countersunk screw Torx T20 M4x40 .....	43
1003.2265	Countersunk self tapping screw 4,2x16 .....	33
40.03.366	Cover air outlet .....	31

## Index

<b>Part-no.</b>	<b>Description</b>	<b>Page</b>
16.01.910	Cover f. control pcb w. gasket .....	5
16.00.329	Cover f. USB interface .....	33
40.03.392	Cover for air inlet filter .....	31
24.02.263	Cover for door latch .....	33
16.00.358	Crossbar front panel .....	33
16.00.331	Crossbar top .....	33
22.00.361	Deep-draw f. air baffle .....	25
16.02.062	Dial f. pulse generator .....	5
70.00.108	Disc gas valve-premix chamber .....	49
70.00.256	Disc premix chamber-blower RG130 .....	47, 49
24.00.126	Door .....	27
24.00.145	Door bolt .....	27
24.00.048	Door bolt .....	27
87.00.540	Door bolt cpl. ....	27
24.01.351	Door catch .....	27
20.00.399	Door gasket .....	23
24.00.136	Door handle .....	27
24.01.350	Door lock .....	27
24.00.133	Door mounting support top .....	27
24.00.159	Door setting bolt .....	29
40.00.454	Door switch 1.65m .....	31
22.00.958	Drain hose for humidity control .....	11
44.01.231	Drain hose steam generator .....	13
60.22.223	Drip collector .....	51
40.02.515	Dry up protector 315°F/157°C .....	9
74.00.873	Earth electrode, hot air .....	19
10.00.661	Edge protection profile .....	37
10.00.980	EJOT PT-Screw K30x10 .....	41
10.00.103	EJOT PT-screw KA 3.5x10 .....	33
10.00.460	EJOT PT-Screw Torx 3,5x14 .....	33
40.01.483	Electronic noise filter .....	9
56.00.373	Emergency overflow-tube .....	41

## Index

<b>Part-no.</b>	<b>Description</b>	<b>Page</b>
44.00.207	Emptying pump .....	13
40.03.262	Fan housing .....	33
40.03.513	Fan motor .....	21
22.00.829	Fan wheel .....	21
44.01.371	Filling level electrode 135mm .....	13
12.01.151	Fixing angle NSF housing floor units 201-202 .....	35
44.01.181	Fixing angle steam generator .....	13
40.03.780	Fixing clip core temp. cable .....	25
40.03.756	Fixing clip f. pcb .....	7
40.03.533	Fixing clip f. pcb .....	7
40.01.579	Fixing clip f. pcb .....	9
24.01.346	Fixing device f. magnet with magnet, adjustable .....	29
44.01.248	Fixing device f. pump steam generator .....	13
24.00.507	Fixing device middle f.inter. glass pane .....	29
44.00.517	Fixing plate steam generator thermostat .....	13
70.00.495	Flange f. burner blower RG118 .....	43
22.00.721	Flange f. motor shaft gasket .....	21
56.00.512	Flap Care container .....	41
8700.0317	Floor fixing for units .....	51
2039.0111	Foot adjustable, metal, 40 x 40 .....	31
40.03.385	Frame for air inlet filter .....	31
16.01.863	Front panel .....	33
40.01.487	Fuse holder 2pol .....	9
40.02.512	Fuse holder 2x6.3A .....	9
40.01.873	Fuse SC-15A 10x38 .....	9
74.00.881	Gas connection manifold 3x3/4" .....	43
70.00.626	Gas valve RH .....	47
70.00.625	Gas valve SEP .....	49
74.00.290	Gasket electrode hot air .....	19
70.00.497	Gasket f. blower burner .....	43
16.01.579	Gasket f. breather tube d=79mm .....	33
72.00.067	Gasket f. burner carrier .....	13

## Index

<b>Part-no.</b>	<b>Description</b>	<b>Page</b>
74.00.296	Gasket f. heat exchanger below .....	17
22.00.881	Gasket f. hum. meas. Pipe .....	11
44.00.250	Gasket f. ignition electrode .....	13
54.01.168	Gasket f. inspection lid quenching .....	37
5110.1024	Gasket for G3/4" threaded joint .....	37
40.00.091	Gasket frame w. glass a. gaskets .....	23
24.00.194	Gasket glass pane/trolley .....	29
74.00.869	Gasket hot air heat exchanger/interior cabinet .....	17
12.01.140	Gasket NSF housing floor units 201-202 .....	35
2022.0101	Grommet d8mm .....	39
3024.0201	Halogen bulb 300°C .....	23
50.00.130	Hand shower .....	37
50.01.239	Hand shower roll guide *lead free* .....	37
60.22.072	Handle for mobile oven rack .....	51
1104.0122	Hex combination nut M4 galv .....	11, 13
1105.0121	Hex combination nut M5 galv .....	13
1106.0803	Hex combination nut M6 galv .....	37
1104.0120	Hex nut M4 .....	13
1104.0121	Hex nut M4 self locking .....	7
10.00.916	Hex nut M4 w. locking .....	41
10.00.100	Hex nut M4, self-locking .....	23
10.01.065	Hex nut M5 .....	9, 17, 21, 43
1105.0120	Hex nut M5 .....	13
10.00.709	Hex nut M6 w. locking .....	9, 13, 21
3014.0302	Hex nut M10 for dry-up protector .....	9
3014.0327	Hex nut M10x1,0 .....	9, 23
10.00.612	Hex nut M16 flat .....	23
1004.0666	Hex screw M4x10 .....	41
10.00.697	Hex screw M5x10 w. precoat 85 .....	27
10.00.990	Hex screw M5x16 Torx T20 .....	43
1006.0762	Hex screw M6x10 .....	13, 43
1006.0760	Hex screw M6x16 .....	37



## Index

<b>Part-no.</b>	<b>Description</b>	<b>Page</b>
10.00.099	Hex screw M8x12 .....	37
10.00.565	Hex screw M8x20 .....	21
1008.0761	Hex screw M8x25 .....	27
1008.0766	Hex screw M8x30 .....	27
10.00.445	Hex screw M8x80 .....	7
1004.2160	Hex self tapping screw 4,2x16 .....	33
10.00.992	Hex self tapping screw B4,2x32 .....	33
60.72.406	Holder for handle mobile oven rack Type 202 .....	51
54.01.045	Hose 76x5mm .....	37
2066.0205	Hose clamp 8-16x9 mm SW 7mm .....	37
2066.0521	Hose clamp 27mm .....	41
2066.0518	Hose clamp 30mm .....	13, 41
2066.0519	Hose clamp 35,6mm .....	13
2066.0504	Hose clamp 40-60mm .....	43
2066.0516	Hose clamp 60-80 mm .....	13
2066.0505	Hose clamp 70-90mm .....	37
10.00.983	Hose clamp CLIC d=23mm .....	41
10.00.984	Hose clamp CLIC d=27.5mm .....	41
2066.0527	Hose clamp ø14mm .....	11, 15, 37
2066.0530	Hose clamp ø16.4mm .....	15
10.00.605	Hose clamp ø25.3 .....	41
2066.0526	Hose clamp ø46mm .....	13
70.00.188	Hose fitting 3/4"-3/4" .....	43
22.00.525	Hose set f. humidity control .....	11
50.00.548	Hose ø10x2x500 f. hand shower .....	37
74.00.806	Hot air heat exchanger below .....	17
74.00.802	Hot air heat exchanger top .....	17
12.00.897	Housing f. Cleaning pump .....	41
2062.0333	Housing for non returne valve .....	37
2070.0054	HT pipe, DN 50, 250 mm .....	35
22.00.725	Humidity control cpl. ....	11
44.01.237	Ignition electrode steam generator .....	13

## Index

<b>Part-no.</b>	<b>Description</b>	<b>Page</b>
74.00.034	Ignitionelectrode, hot air .....	19
24.00.212	Inner glass pane .....	29
22.00.908	Inner humidity meas. Piece .....	11
54.01.254	Inspection lid, quenching nozzle, B2 .....	37
40.03.290	Installation rail for Contactor .....	9
72.00.077	Insulation f. burner steam gen. ....	13
40.04.047	Interface cable USB 1.6m .....	33
20.01.755	Isolation for mounting plate for motor .....	21
2062.0331	Junction pressure hose GS 10 .....	15
2760.1370	Latch hook for air baffle .....	25
50.00.086	Locking plate f. water distribution .....	39
40.03.989	Loudspeaker K 64 WPT .....	7
74.00.868	Mating flange heat exchanger .....	17
40.02.101	Meat probe sensor .....	23
4007.0620	Membrane DGC 29 .....	9
4007.0621	Membrane DGC 36 .....	9
42.00.081	MMI pcb .....	5
60.22.086V	Mobile oven rack type 202 .....	51
22.00.083	Motor shaft gasket .....	21
50.00.278	Mounting device f. hand sh. roll guide .....	37
22.00.882	Mounting device f. pressure sensor .....	11
50.01.543	Mounting device f. water distribution .....	39
12.00.291	Mounting for housing of Cleaning pump .....	41
22.00.722	Mounting support f. gasket flange .....	21
2069.0107	Non return valve DN6 steam generator .....	39
50.00.078	Non return valve DW16/DN12 .....	39
50.01.471	Nozzle f. moistening .....	17
12.01.142	NSF housing floor units 201-202 .....	31
12.01.154	NSF housing left floor units 201-202 .....	35
12.01.153	NSF housing right floor units 201-202 .....	35
70.00.261	O-ring 17x1.5 .....	49
70.00.262	O-ring 21.89x2.62 .....	43

## Index

<b>Part-no.</b>	<b>Description</b>	<b>Page</b>
10.00.512	O-ring for ball valve drain 26x3.5 .....	37
10.00.511	O-ring for ball valve drain 46x3.5 .....	37
22.00.837	O-ring for humidity control .....	11
16.01.965	Opening mechanism for panel insert .....	31
1008.0768	Ornamental screw M8x16 .....	27
1008.0769	Ornamental screw M8x30 .....	27
22.00.850	Outer humidity meas. Piece .....	11
54.01.117	Outlet sieve .....	23
10.00.449	Pan head screw M6x16 .....	37
10.00.365	Pan head screw Torx M3x20 .....	9
10.00.061	Pan head screw Torx T20 M4x12 .....	43
10.00.062	Pan head screw Torx T20 M4x20 .....	43
10.00.063	Pan head screw Torx T20 M4x25 .....	43
10.00.064	Pan head screw Torx T20 M4x30 .....	43
10.00.564	Pan head screw Torx T20 M4x45 .....	7, 43
1500.1610	Pipe 3/4" x 80 .....	45
56.00.537	Pipe f. Care hose .....	41
24.01.259	Plastic buffer 8,1mm for door .....	29
10.00.369	Plug cone shaped .....	37
50.00.085	Plug-in spring f. hand shower roll guide .....	37
40.01.596	Power supply cable 3x2,5mm <sup>2</sup> 3m .....	7
40.03.468	Power transformer .....	7
24.00.178	Pre heat mechanism f. door cpl. ....	29
70.00.255	Premix chamber cover gas f. RG130 .....	47, 49
70.00.030	Premix chamber gas f. RG130 .....	47, 49
70.00.106	Premix disc gas .....	47, 49
2067.0050	Pressure hose d10mm .....	37, 39, 41
56.00.175	Pressure hose f. cleaning .....	41
3017.1011	Pressure sensor for humidity control Huba 401 .....	11
2005.0106	Protective grid for cooling fan .....	7
40.00.404	Pulse generator .....	5
2118.1000	Pump connection spout .....	15

## Index

<b>Part-no.</b>	<b>Description</b>	<b>Page</b>
8354.1320	Pump connection spout cpl. ....	13
56.00.460	Pump f. CareControl DPS 35 ....	41
56.00.186	Pump f. cleaning UP30 ....	41
40.00.098	Reflector f. interior light ....	23
10.00.515	Rivet 3,2x5 A4 ....	25
1603.0166	Rivet 3,2x7,9 CNS closed ....	33
1604.0167	Rivet 4x10 ....	25
10.00.041	Rivet nut M5 hexagon closed ....	29
40.01.482	Safety temperature limiter 365°C ....	9, 23
40.01.317	Screen core temperature sensor ....	23
40.03.782	Screen interior cabinet sensor ....	23
42.00.128	SD-memory card 4GB ....	7
10.00.991	Sealing cap ....	39
16.01.908	Sealing f. panel insert ....	5
16.00.139	Side panel left ....	33
16.00.158	Side panel right ....	33
2110.1008	Silicon hose ø10x2mm ....	15
70.00.623	Silicone hose ø8x1,6x115mm ....	43
70.00.624	Silicone hose ø8x1,6x141mm ....	43
50.01.146	Single solenoid valve ....	39
24.00.147	Sleeve for door bolt top ....	29
1104.0820	Snap nut 4,2mm ....	33
70.00.703	Sound absorber blower steam generator ....	43
10.00.243	Spacer M4x8 ....	7
70.00.637	Spacer sleeve f. gas burner blower ....	43
10.01.049	Square necked mushroom head bolt 6x30 ....	21
1107.0100	Star lock ø4 ....	33
44.00.948	Steam generator insulated ....	13
44.00.362	Steam hose 70x5 ....	13
44.01.086	Steam pipe ....	13
10.01.198	Sticker set ....	51
2120.1259	Stop plug 10mm ....	15

## Index

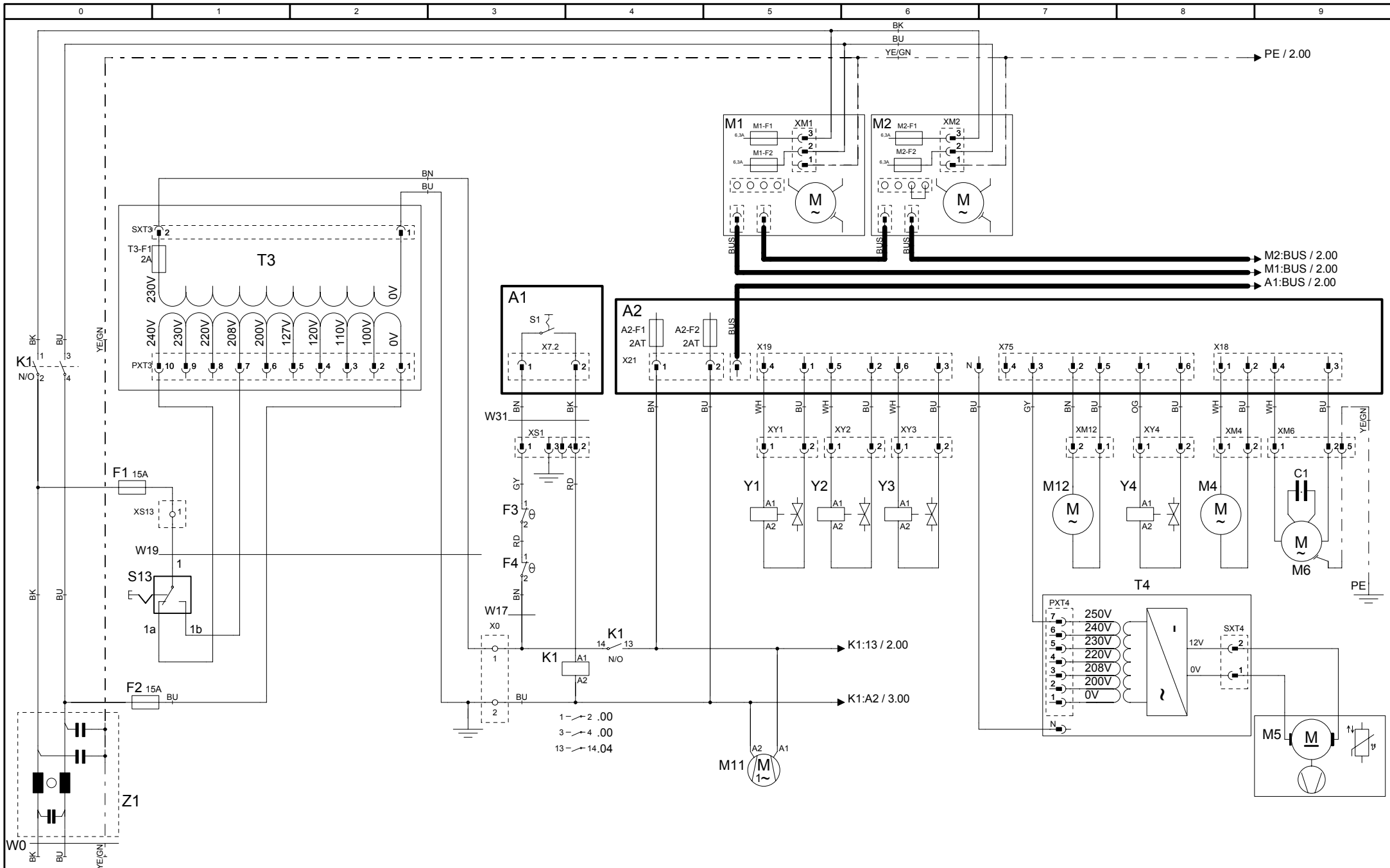
<b>Part-no.</b>	<b>Description</b>	<b>Page</b>
56.00.176	Suction hose f. cleaning .....	41
22.00.491	Surge guard for Meat probe sensor .....	25
8664.1301	T-fitting water connection .....	37
40.00.399	Thermocouple humidity .....	23
40.03.528	Thermocouple interior cabinet B1 .....	23
40.04.110	Thermocouple steam generator *B5* .....	13
4005.0101	Tie rap 145 mm .....	15
1204.0120	Tooth lock washer A4,3 .....	41
1205.0120	Tooth lock washer A5,3 .....	13
1206.0120	Tooth lock washer A6,4 .....	31
16.02.169	Top cover .....	33
40.03.772	Transformer f. cooling fan .....	7
50.01.050	Triple solenoid valve .....	37
16.01.942	Tulip for handshower .....	33
50.00.846	Union nut M12x13.2 N .....	17
22.00.767	Vent cover .....	11, 31
54.00.984	Ventilation pipe .....	37
8354.1304	Venting valve for steam generator .....	39
10.00.744	Washer A4,3 *A4 .....	25
1305.0160	Washer A5,3x10mm .....	27
1306.0222	Washer A6,4x15x1,5 .....	13, 37, 43
1308.0162	Washer A8,4 .....	21, 27
1308.0160	Washer A8,4 .....	37
60.71.382	Water connection kit, floor unit G/USA .....	51
50.00.072	Water distribution vert roll guide con. ....	37
50.00.073	Water distribution vert w/o roll guide con. ....	39
1900.0202	Water filter .....	39
50.01.195	Water volume sensor with wire .....	37
40.03.532	Wiring interior light .....	23
2062.0303	Y-fitting YS10 .....	39



## Deckblatt Elektrische Dokumentation, Cover sheet electrical Documentation

Die Elektrische Dokumentation besteht aus: 1. diesem Deckblatt, 2. dem Schaltplan und 3. der Legende der elektrischen Bauteile  
The electric documentation contains: 1. this cover sheet, 2. the wiring diagram and 3. the bill of material (BOM)

<b>Deckblatt-Nr.</b> <b>Front Page No.</b>	75-21197	<b>Version</b>	1
<b>Typ / Type</b>	SCC WE 202G		
<b>Schaltplan</b> <b>Wiring diagram</b>	76-00488	<b>Version</b>	1
<b>Spannung (SPL)</b> <b>Voltage</b>	2AC208 V 60 Hz		
<b>Legende</b> <b>Legend electr. components</b>	78-00776	<b>Version</b>	1
<b>Geräteserialnr.</b> <b>Serial number</b>	G22SH1102	<b>Version</b>	1102
<b>Erstellt am</b> <b>Created at</b>	Jul 5, 2011 3:47 PM	<b>Ersteller</b> <b>Creator</b>	SCHD
<b>Gültig ab</b> <b>Valid from</b>	Aug 30, 2011 3:30 PM	<b>Änderung</b> <b>Modification</b>	



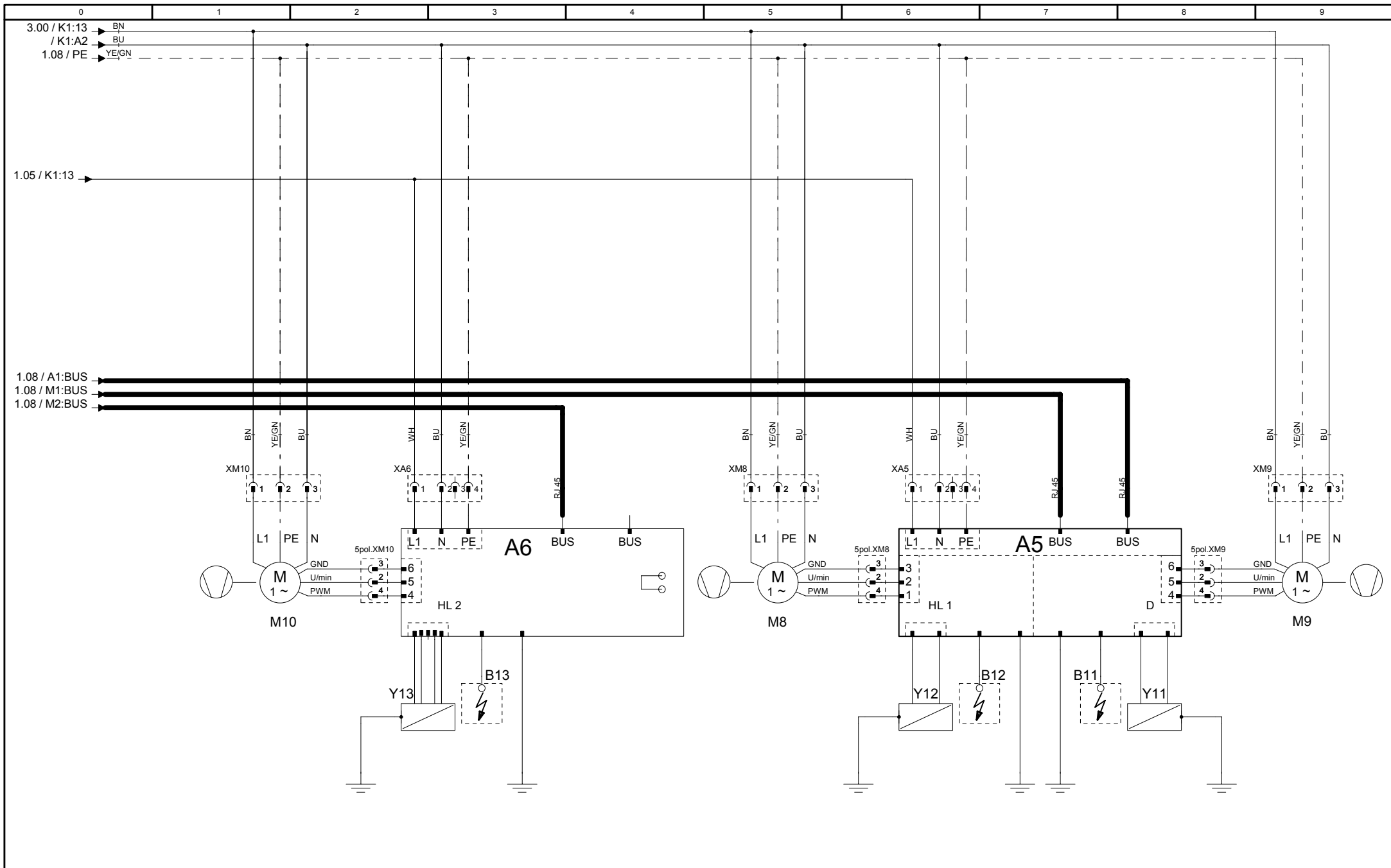
76-00488
Version 1

MODUL 1 Leistung/Power
---------------------------

SCC WE 202G-UL
2AC208 V 60 Hz

Erstellt von	SCHD
Created by	
Datum	12.10.2011
Date	
Blatt	
Page	1



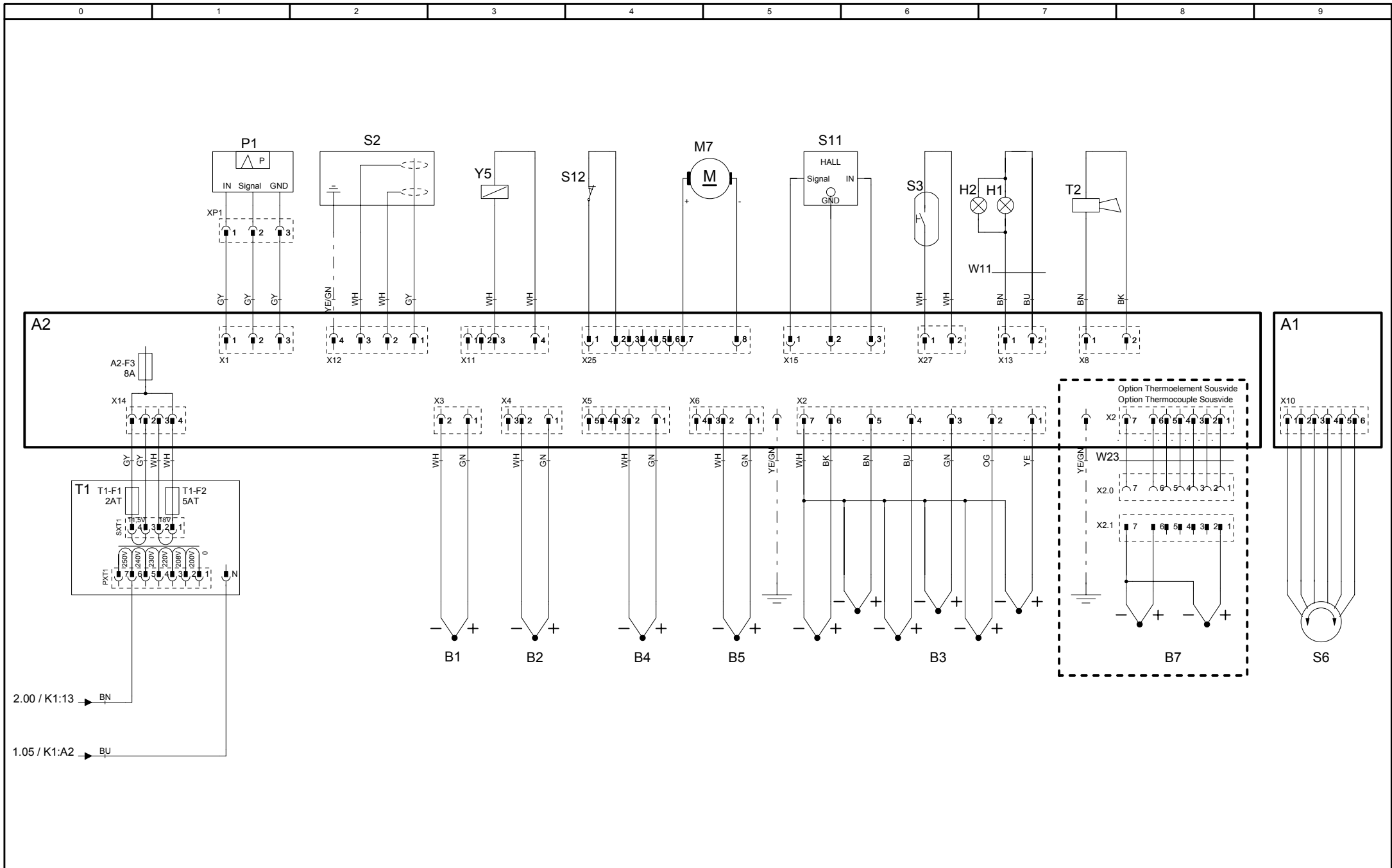


76-00488	1
Version	1

MODUL 2 Heizung/Heating
----------------------------

SCC WE 202G-UL
2AC208 V 60 Hz

Erstellt von	SCHD
Created by	
Datum	12.10.2011
Date	
Blatt	2
Page	



**Positionsliste****Bill of material**

<b>Name Name</b>	<b>Artikelnr. Item number</b>	<b>Artikelbezeichnung</b>	<b>Item description</b>	<b>Module Modul</b>
-A1	42.00.081	Interface Platine	Interface PCB	Modul 1
-A2	42.00.160	CPU SCC WE	CPU SCC WE	Modul 1
-A2-F1/F2	3019.0120	Sicherung A2 - 2AT	Fuse A2 - 2AT	Modul 1
-A2-F3	3019.0312	Sicherung A2 - 8AT	Fuse A2 - 8AT	Modul 3
-A5	74.00.883	Feuerungsautomat Brenner 61-202	Ignition box	Modul 2
-A6	74.00.883	Feuerungsautomat Brenner 201/202 HL	Ignition box	Modul 2
-B1	40.03.528	Thermoelement Garraum	Thermocouple interior cabinet	Modul 3
-B2	54.01.254	Thermoelement Ablöschung	Thermocouple quenching	Modul 3
-B3	40.02.101	Thermoelement Kerntemperatur	Thermocouple core sensor	Modul 3
-B4	40.00.399	Thermoelement Feuchte	Thermocouple humidity	Modul 3
-B5	40.04.110	Thermoelement Dampfgenerator	Thermocouple steam generator	Modul 3
-F1/F2	40.01.873	Steuersicherung	Control fuse	Modul 1
-F3	40.02.515	Sicherheitstemperaturbegrenzer Gas:157°C/314° F Elek.:183°C/360°F	Safety thermostat steam generator Gas: 157°C/ 314°F Elec.: 183°C/360°F	Modul 1
-F4	40.01.482	Sicherheitstemperaturbegrenzer 360°C/680°F	Safety thermostat interior cabinet 360°C/680°F	Modul 1
-H1	3024.0201	Garraumbeleuchtung	Interior cabinet light	Modul 3
-H2	3024.0201	Garraumbeleuchtung	Interior cabinet light	Modul 3
-K1	40.03.761	Hauptschütz	Main contactor	Modul 1
-M1	40.03.513	Lüftermotor	Fan motor	Modul 1
-M10	70.00.566	Gasgebläse HL	Gas blower hot air (bottom)	Modul 2
-M11	40.03.425	Kühllüfter	Cooling fan	Modul 1
-M12	56.00.460	Pumpe Pflegemittel	Care pump	Modul 1
-M2	40.03.513	Lüftermotor 201/202 (unten)	Fan motor 201/202 (bottom)	Modul 1

Änderungsdatum	<b>30.08.2011</b>	Name	<b>SCC WE 202G-UL</b>	Dokument-Nr.	<b>78-00776</b>
Erzeuger	<b>SCHD</b>	Spannung	<b>2AC208 V 60 Hz</b>	Version	<b>1</b>

**Positionsliste****Bill of material**

<b>Name Name</b>	<b>Artikelnr. Item number</b>	<b>Artikelbezeichnung</b>	<b>Item description</b>	<b>Module Modul</b>
-M4	44.00.207	SC-Pumpe	SC-pump	Modul 1
-M5	40.03.948	Kühllüfter	Cooling fan	Modul 1
-M6	56.00.186	CleanJet Pumpe SCC WE	CleanJet pump SCC WE	Modul 1
-M7	54.01.291	Kugelhahn Ablauf	Drain valve	Modul 3
-M8	70.00.566	Gasgebläse HL	Gas blower hot air	Modul 2
-M9	70.00.566	Gasgebläse DG	Gas blower steam	Modul 2
-P1	3017.1011	Differenzdrucksensor	Differential pressure sensor	Modul 3
-S1	TEXT	Ein/Aus Schalter	ON/OFF switch	Modul 1
-S11	50.01.195	CDS-Sensor	CDS-sensor	Modul 3
-S2	44.01.371	Niveauelektrode	Water level electrode	Modul 3
-S3	40.00.454	Türkontaktschalter	Door contact switch	Modul 3
-S6	40.00.404	Zentrales Einstellrad	Central dial	Modul 3
-T1	40.03.348	Steuertrafo	Control transformer	Modul 3
-T1-F1	3019.0120	Sicherung Steuertrafo T1 2AT	Fuse control transformer T1 2AT	Modul 3
-T1-F2	3019.0126	Sicherung Steuertrafo T1 5AT	Fuse control transformer T1 5AT	Modul 3
-T2	40.03.989	SCC WE: Lautsprecher / CMP: Alarmsummer	SCC WE: Speaker / CMP: Buzzer	Modul 3
-T3	40.03.468	Sondertrafo	Special transformer	Modul 1
-T3-F1	3019.0120	Sicherung Sondertrafo T3	Fuse special transformer	Modul 1
-T4	40.03.772	Trafo Kühl Lüfter 201/202	Transformer cooling fan 201/202	Modul 1
-W0	40.01.596	Anschlusskabel	Cable: power supply	Modul 1
-W11	40.03.532	Kabel: Garraumbeleuchtung	Cable: interior cabinet light	Modul 3
-W17	40.03.453	Kabel: Steuerstamm	Cable: control harness	Modul 1
-W19	40.04.116	Kabel: Zusatzstamm Gas	Cable: power supply gas	Modul 1

Änderungsdatum	<b>30.08.2011</b>	Name	<b>SCC WE 202G-UL</b>	Dokument-Nr.	<b>78-00776</b>
Erzeuger	<b>SCHD</b>	Spannung	<b>2AC208 V 60 Hz</b>	Version	<b>1</b>

**Positionsliste****Bill of material**

<b>Name Name</b>	<b>Artikelnr. Item number</b>	<b>Artikelbezeichnung</b>	<b>Item description</b>	<b>Module Modul</b>
-W31	40.03.467	Kabel: Ein/Aus Schalter	Cable: ON/OFF switch	Modul 1
-Y1/Y3/Y4	50.01.050	Y1: Magnetventil Füllen / SCC WE Y3: Beschwadung / Y4: Pflegemittel	Y1: Solenoid valve filling / SCC WE Y3: moistening / Y4: care	Modul 1
-Y11	70.00.625	Gasventil D	Gas valve steam	Modul 2
-Y12/Y13	70.00.626	Y12: Gasventil HL1 / Y13: Gasventil HL2 201/ 202G	Y12: Gas valve hot air / Y13: Gas valve hot air (bottom)	Modul 2
-Y2	50.01.146	Magnetventil Ablöschung	Solenoid valve quenching	Modul 1
-Y5	22.00.725	Klimaventil	Clima valve	Modul 3
-Z1	40.01.483	Entstörfilter/Varistor	Electronic noise filter	Modul 1

Änderungsdatum	<b>30.08.2011</b>	Name	<b>SCC WE 202G-UL</b>	Dokument-Nr.	<b>78-00776</b>
Erzeuger	<b>SCHD</b>	Spannung	<b>2AC208 V 60 Hz</b>	Version	<b>1</b>