

# Service part catalogue

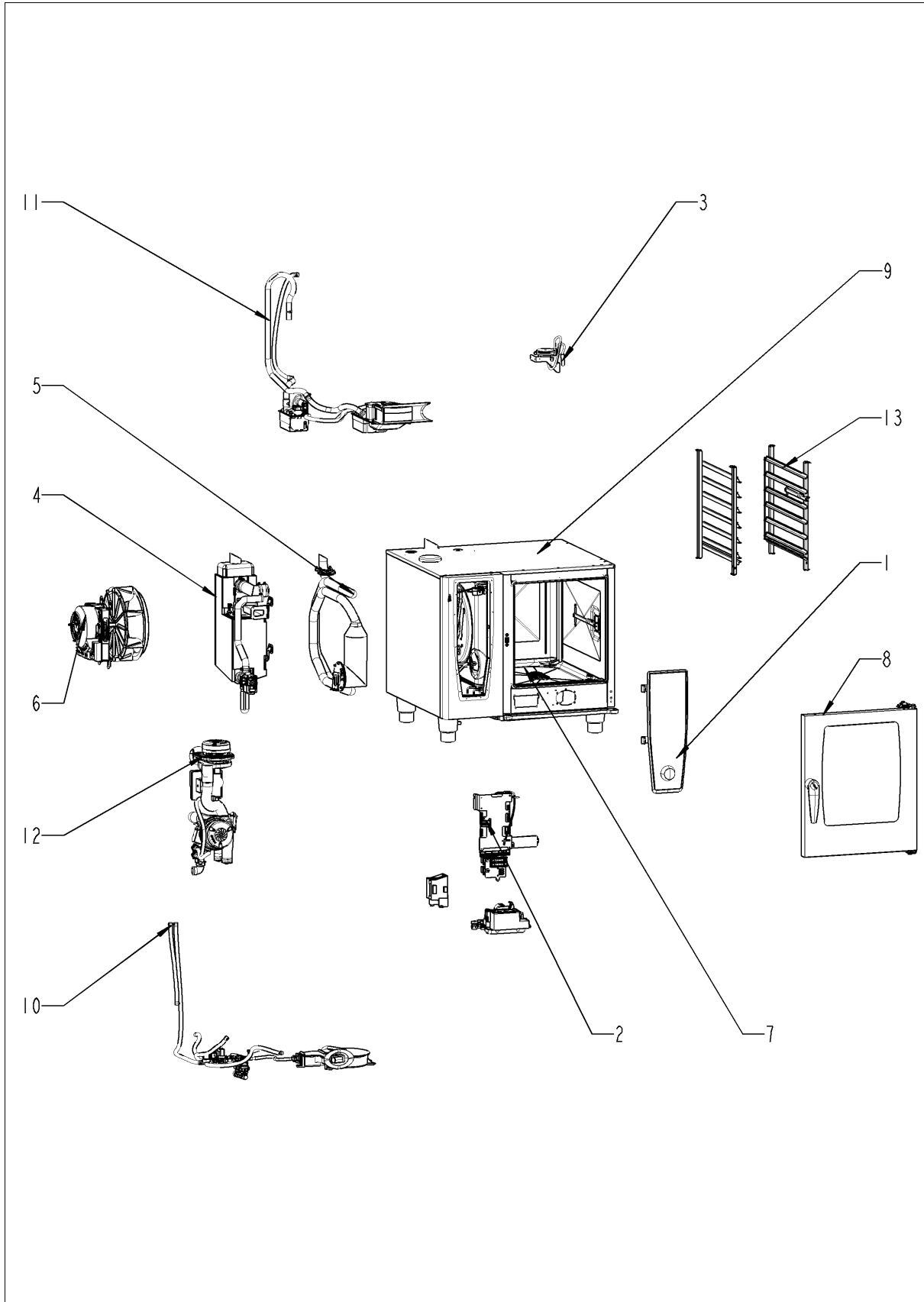
**SelfCookingCenter® whiteefficiency®**

**SelfCooking Center 61 - 6 x 1/1 GastronormG**

**G61SH1112**



SelfCookingCenter® whiteefficiency®



**SelfCooking Center 61 - 6 x 1/1 GastronormG**  
**G61SH1112**

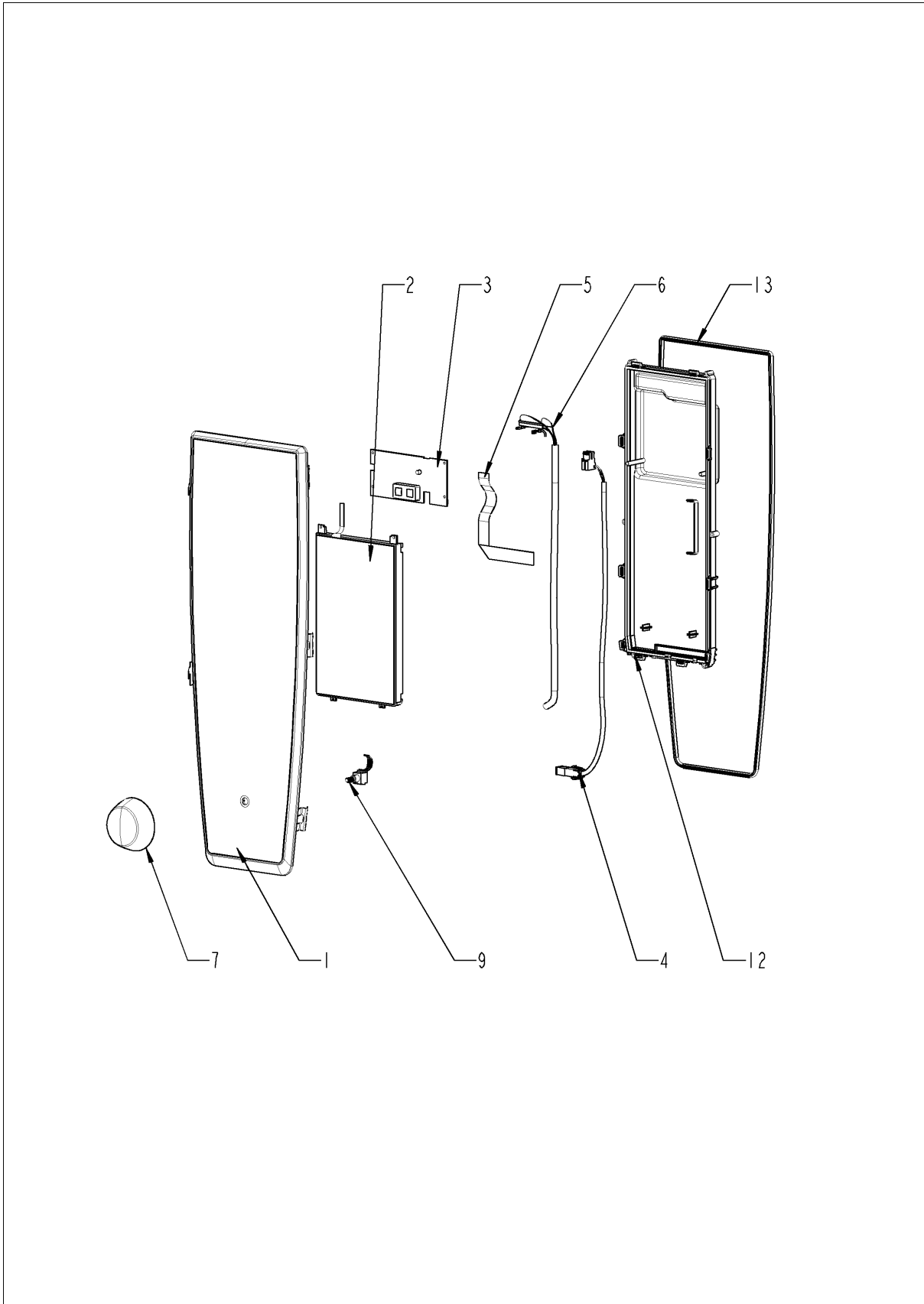


---

**SelfCookingCenter® whiteefficiency®**

<b>Pos.</b>	<b>Part No.</b>	<b>Description</b>	<b>Qty.</b>
1		Control panel	1
2		Electrical installation	1
3		ClimaPlus	1
4		Steam generator	1
5		Hot air heating	1
6		Motor and fan wheel	1
7		Interior cabinet	1
8		Door	1
9		Exterior cabinet	1
10		Water	1
11		CleanJet + Care	1
12		Gas parts	1
13		Standard accessory	1

## Control panel

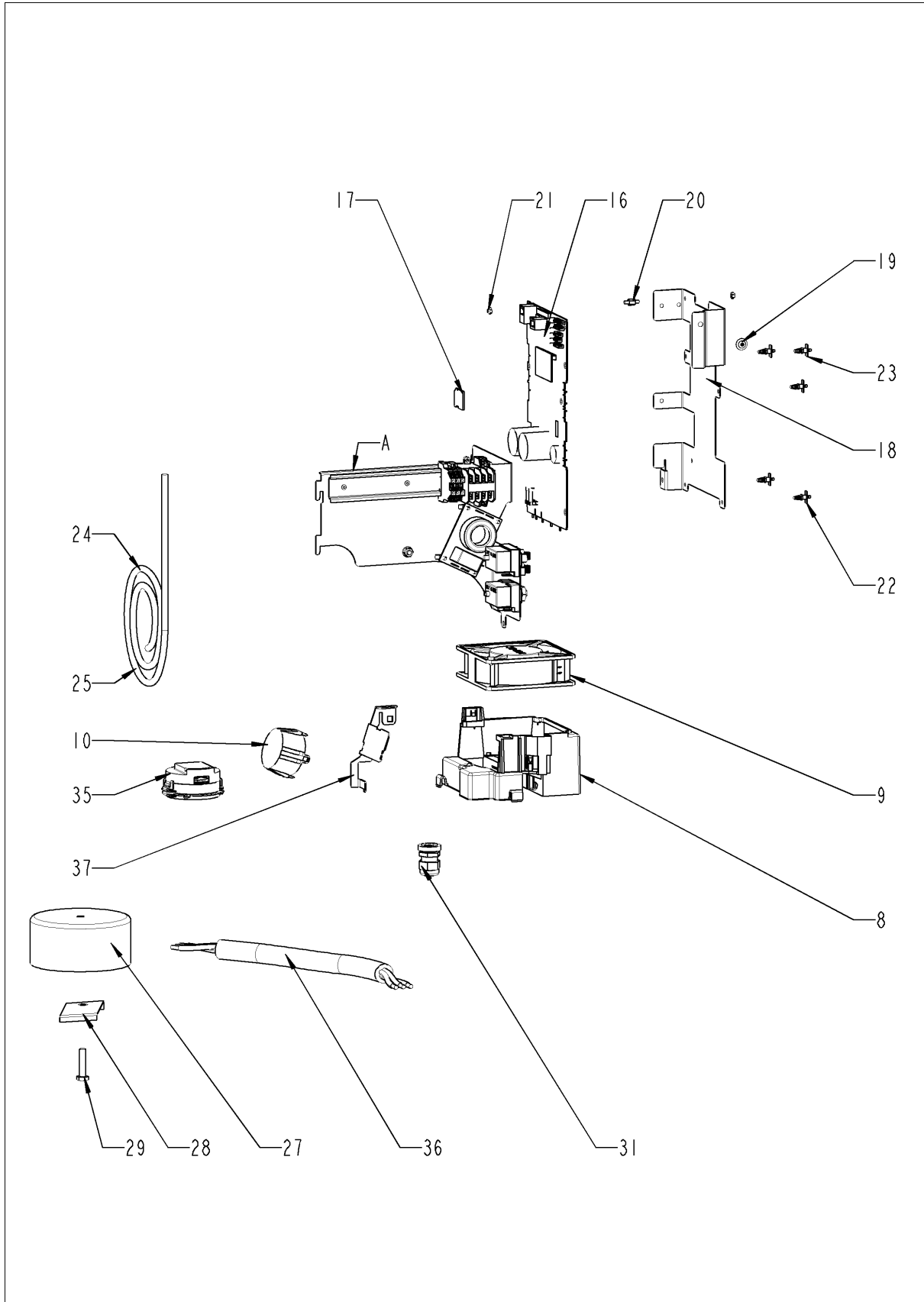


---

## Control panel

<b>Pos.</b>	<b>Part No.</b>	<b>Description</b>	<b>Qty.</b>
1	87.01.005	Control panel insert with overlay *RAT*	1
2	42.00.112	Control pcb *TFT*	1
3	42.00.081	MMI pcb	1
4	40.03.467	Cable On-Off switch MMI	1
5	40.03.515	Cable MMI - TFT	1
6	40.03.516	Cable MMI - CPU	1
7	16.02.062	Dial f. pulse generator	1
9	40.00.404	Pulse generator	1
12	16.01.910	Cover f. control pcb w. gasket	1
13	16.01.908	Sealing f. panel insert	1

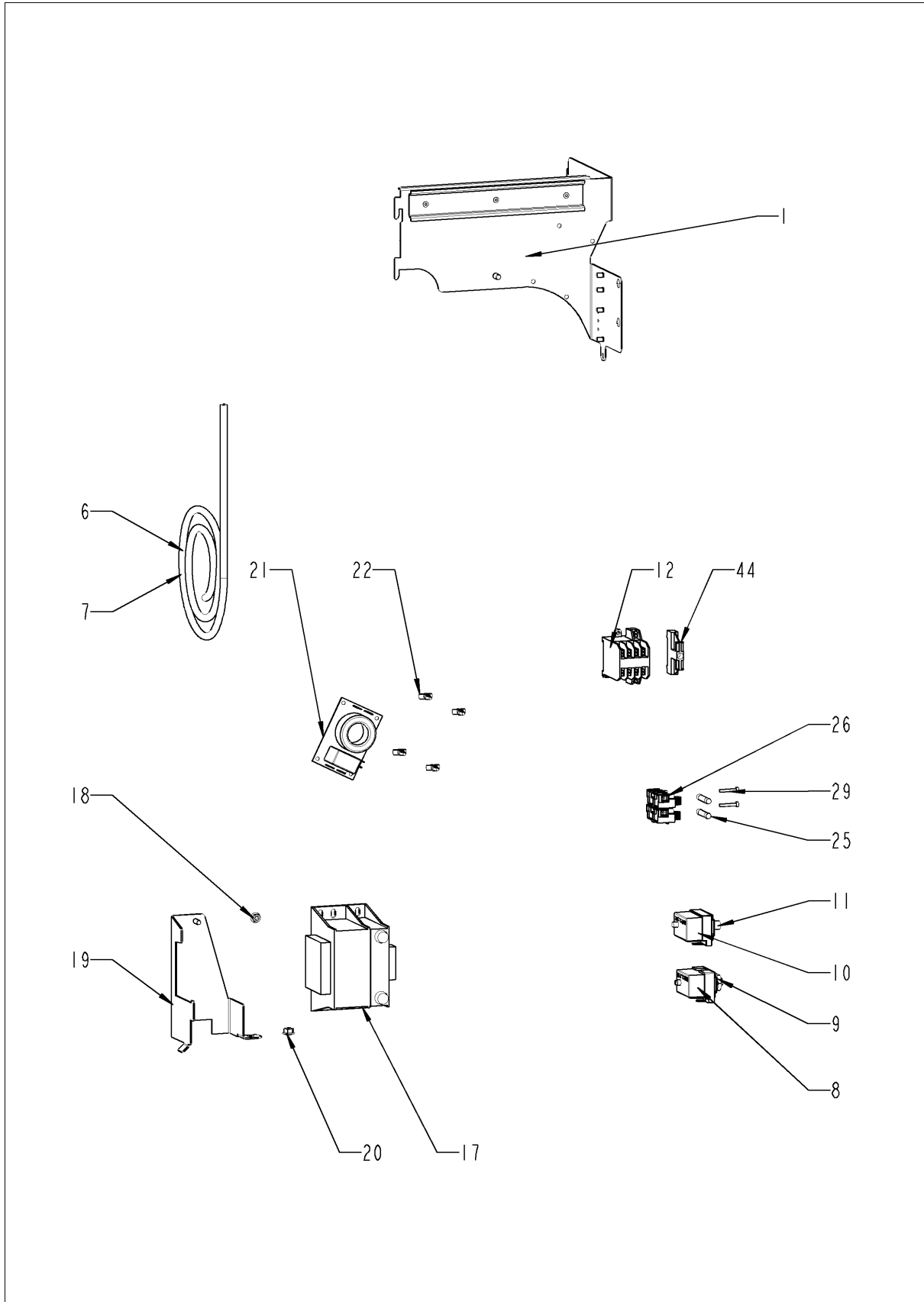
## Electrical installation



## Electrical installation

<b>Pos.</b>	<b>Part No.</b>	<b>Description</b>	<b>Qty.</b>
8	40.03.660	Fan housing	1
9	40.03.428	Cooling fan	1
10	40.03.257	Converter 230VAC 24VDC	1
16	42.00.160	Control pcb	1
17	42.00.128	SD-memory card 4GB	1
18	40.03.664	Mounting base for control pcb	1
19	10.00.989	Rivet with screw	2
20	10.00.243	Spacer M4x8	1
21	1104.0121	Hex nut M4 self locking	2
22	40.03.756	Fixing clip f. pcb	1
23	40.03.533	Fixing clip f. pcb	4
24	40.03.995	Bus cable 0.85m	1
25	40.03.995	Bus cable 0.85m	1
27	40.00.279	Power transformer	1
28	40.03.480	Mounting support power transformer	1
29	1008.0766	Hex screw M8x30	1
31	40.00.320	Cable connection M20x1.5	1
35	40.04.034	Loudspeaker K 64 WPT	1
36	40.01.597	Power supply cable 3xAWG14	1
37	40.03.391	Mounting device converter	1
A		Electrical installation	1

## Electrical installation



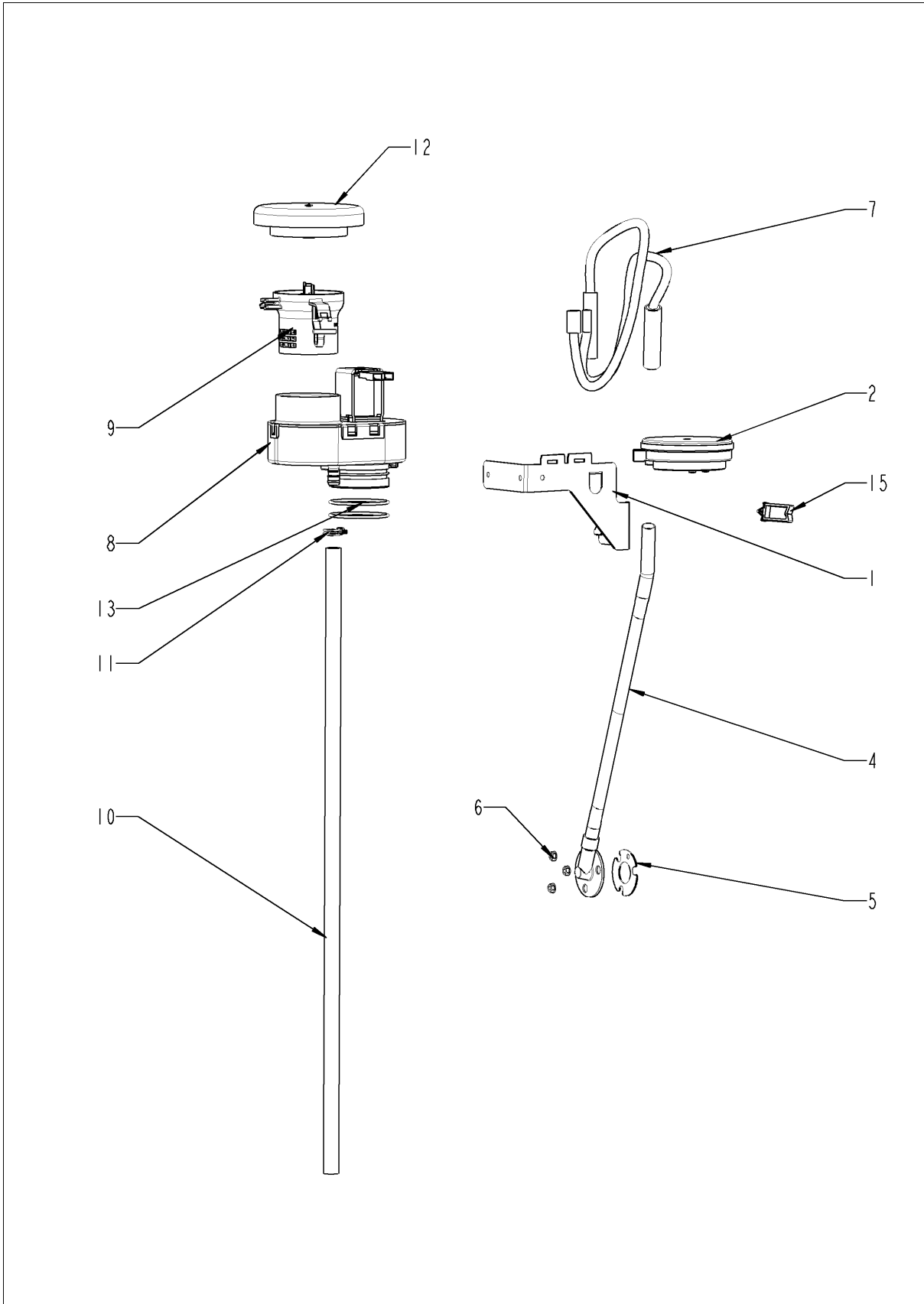


---

## Electrical installation

<b>Pos.</b>	<b>Part No.</b>	<b>Description</b>	<b>Qty.</b>
1	40.03.322	Contactor assembly	1
6	40.03.452	Cable control harness	1
7	40.04.181	Cable harness isolating transformer	1
8	40.02.515	Dry up protector 315°F/157°C	1
9	3014.0302	Hex nut M10 for dry-up protector	1
10	40.01.482	Safety temperature limiter 365°C	1
11	3014.0327	Hex nut M10x1,0	1
12	40.03.761	Contactor 3TG1010-3AK2	1
17	40.03.348	Control transformer T1	1
18	10.01.065	Hex nut M5	1
19	40.03.404	Mounting support transformer	1
20	10.01.065	Hex nut M5	1
21	40.01.483	Electronic noise filter	1
22	40.01.579	Fixing clip f. pcb	4
25	40.01.873	Fuse SC-15A 10x38	2
26	40.02.512	Fuse holder 2x6.3A	1
26	40.01.487	Fuse holder 2pol	1
29	10.00.365	Pan head screw Torx M3x20	2

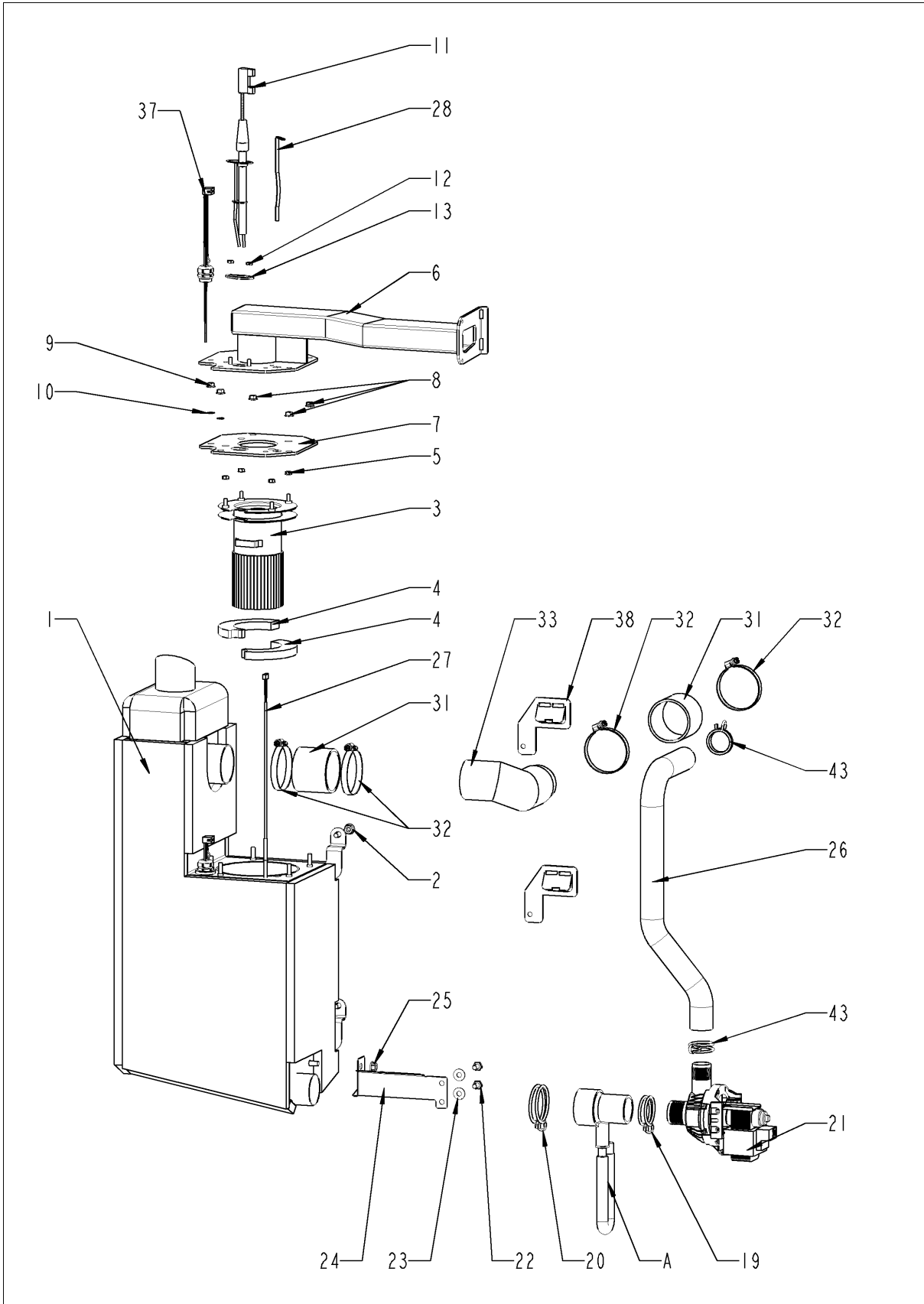
# ClimaPlus



## **ClimaPlus**

<b>Pos.</b>	<b>Part No.</b>	<b>Description</b>	<b>Qty.</b>
1	22.00.882	Mounting device f. pressure sensor	1
2	3017.1011	Pressure sensor for humidity control Huba 401	1
4	22.00.850	Outer humidity meas. Piece	1
5	22.00.881	Gasket f. hum. meas. Pipe	1
6	1104.0122	Hex combination nut M4 galv	3
7	22.00.525	Hose set f. humidity control	1
8	22.00.725	Humidity control cpl.	1
9	22.00.914	Air inlet pipe	1
10	22.00.960	Drain hose for humidity control	1
11	2066.0527	Hose clamp ø14mm	2
12	22.00.767	Vent cover	1
13	22.00.837	O-ring for humidity control	2
15	10.00.111	Cable clip long	2

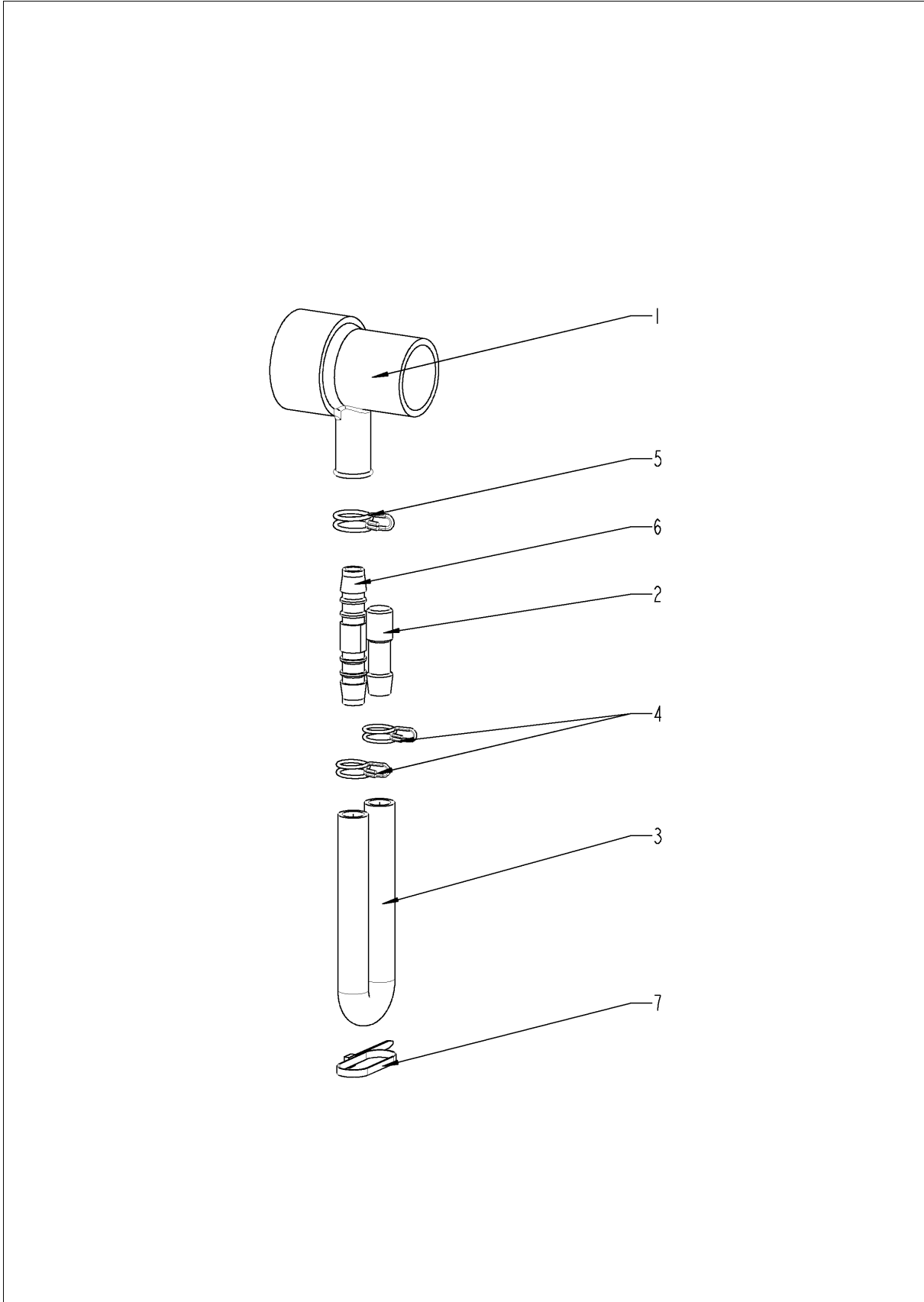
## Steam generator



## Steam generator

<b>Pos.</b>	<b>Part No.</b>	<b>Description</b>	<b>Qty.</b>
1	44.00.938	Steam generator insolated	1
2	10.00.709	Hex nut M6 w. locking	1
3	72.00.078	Burner steam gen.	1
4	72.00.077	Insulation f. burner steam gen.	2
5	1104.0122	Hex combination nut M4 galv	4
6	70.00.573	Burner pipe	1
7	72.00.067	Gasket f. burner carrier	1
8	1105.0121	Hex combination nut M5 galv	3
9	1105.0120	Hex nut M5	2
10	1205.0120	Tooth lock washer A5,3	2
11	44.01.218	Ignition electrode steam generator	1
12	1104.0120	Hex nut M4	2
13	44.00.250	Gasket f. ignition electrode	1
19	2066.0519	Hose clamp 35,6mm	1
20	2066.0526	Hose clamp ø46mm	1
21	44.00.207	Emptying pump	1
22	1006.0762	Hex screw M6x10	2
23	1306.0222	Washer A6,4x15x1,5	2
24	44.01.248	Fixing device f. pump steam generator	1
25	10.00.709	Hex nut M6 w. locking	2
26	44.00.234	Drain hose steam generator	1
27	40.04.108	Thermocouple steam generator *B5*	1
28	44.00.516	Fixing plate steam generator thermostat	1
31	2112.1006	Steam hose 50x7mm	2
32	2066.0504	Hose clamp 40-60mm	4
33	44.01.135	Steam pipe	1
37	44.00.253	Filling level electrode 85mm	1
38	44.01.168	Fixing angle steam generator	2
43	2066.0518	Hose clamp 30mm	2
A	8354.1320	Pump connection spout cpl.	1

## Pump connection spout

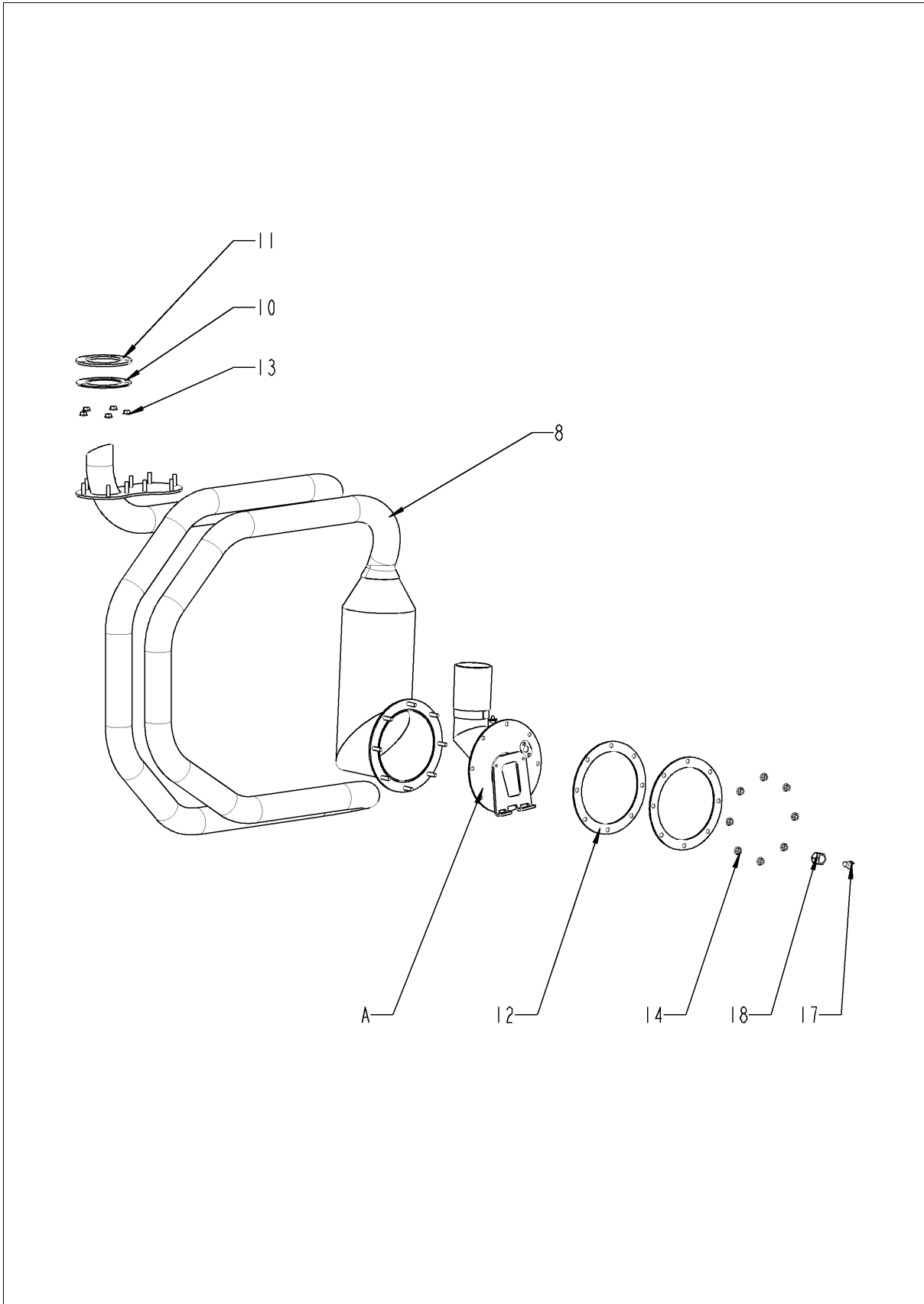


---

## **Pump connection spout**

<b>Pos.</b>	<b>Part No.</b>	<b>Description</b>	<b>Qty.</b>
1	2118.1000	Pump connection spout	1
2	2120.1259	Stop plug 10mm	1
3	2110.1008	Silicon hose ø10x2mm	1
4	2066.0527	Hose clamp ø14mm	2
5	2066.0530	Hose clamp ø16.4mm	1
6	2062.0331	Junction pressure hose GS 10	1
7	4005.0101	Tie rap 145 mm	1

## Hot air heating



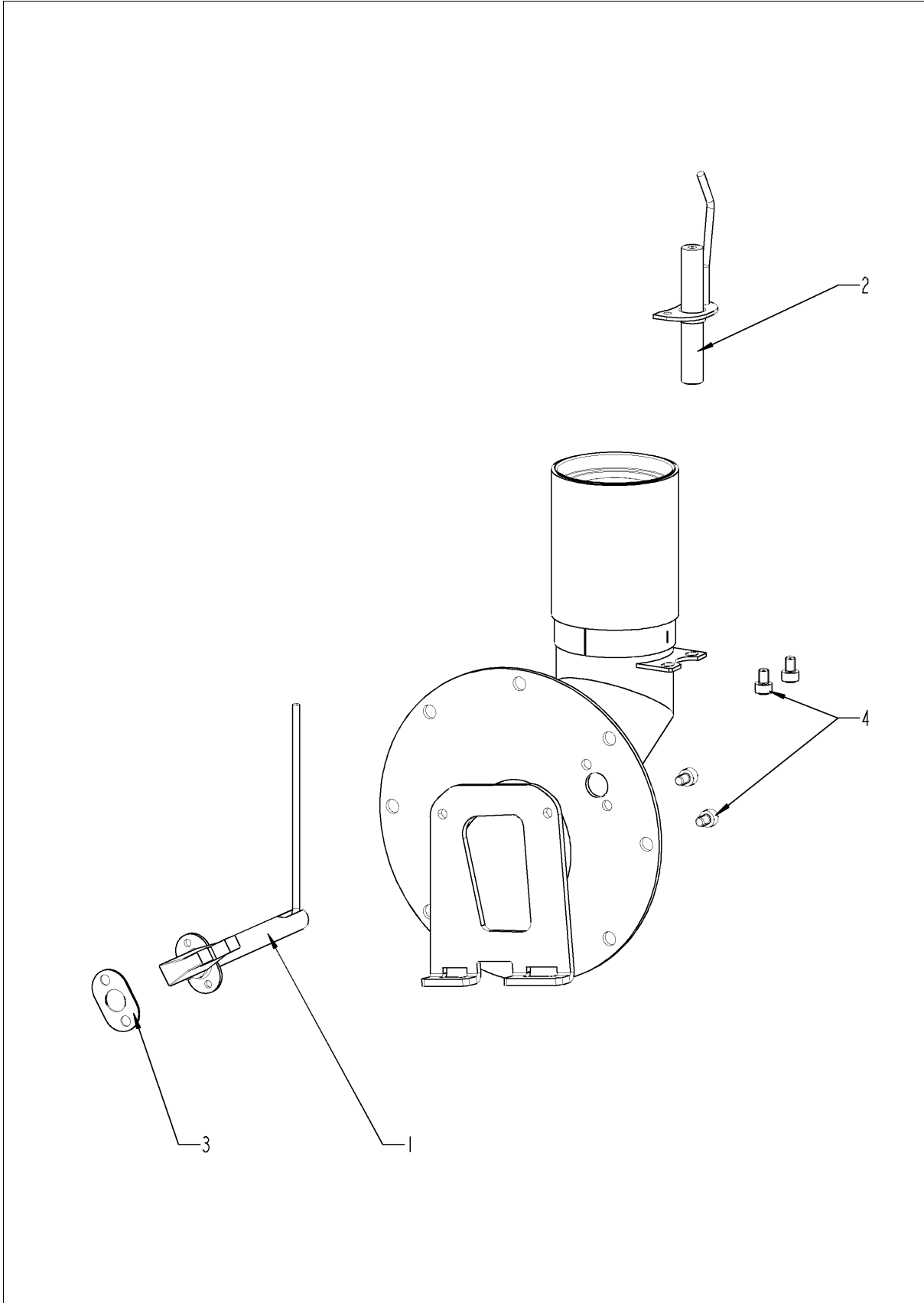


---

## Hot air heating

<b>Pos.</b>	<b>Part No.</b>	<b>Description</b>	<b>Qty.</b>
8	74.00.758	Hot air heat exchanger	1
10	74.00.814	Gasket hot air heat exchanger/interior cabinet	2
11	74.00.813	Mating flange heat exchanger	2
12	74.00.296	Gasket f. heat exchanger below	2
13	10.01.065	Hex nut M5	10
14	10.01.065	Hex nut M5	8
17	50.00.844	Nozzle f. moistening	1
18	50.00.846	Union nut M12x13.2 N	1
A	74.00.821	Burner hot air	1

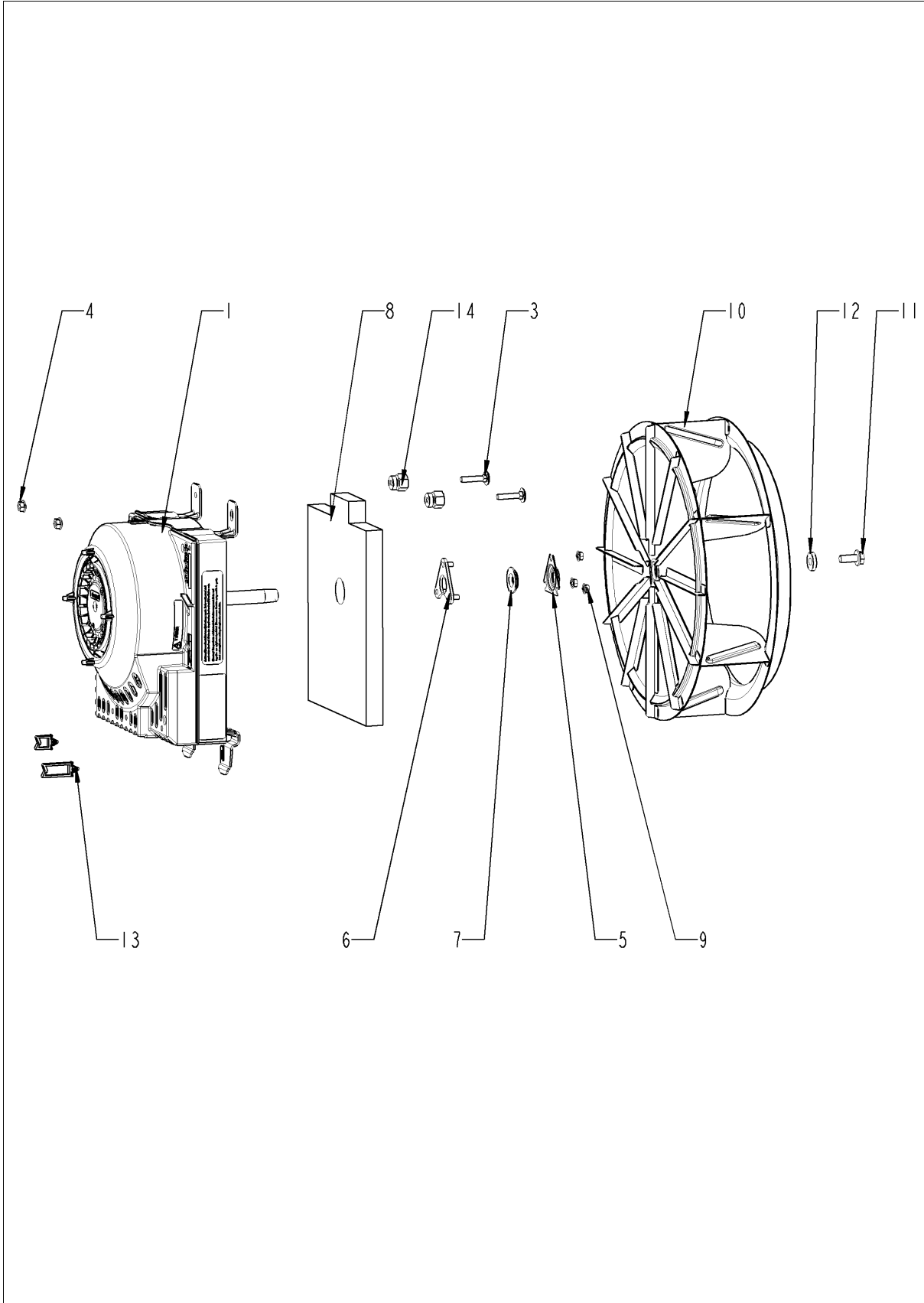
## Burner hot air



## **Burner hot air**

<b>Pos.</b>	<b>Part No.</b>	<b>Description</b>	<b>Qty.</b>
1	74.00.034	Ignitionelectrode, hot air	1
2	74.00.873	Earth electrode, hot air	1
3	74.00.290	Gasket electrode hot air	1
4	10.00.696	Allen screw M4x6 w. Precoat 85	4

## Motor and fan wheel

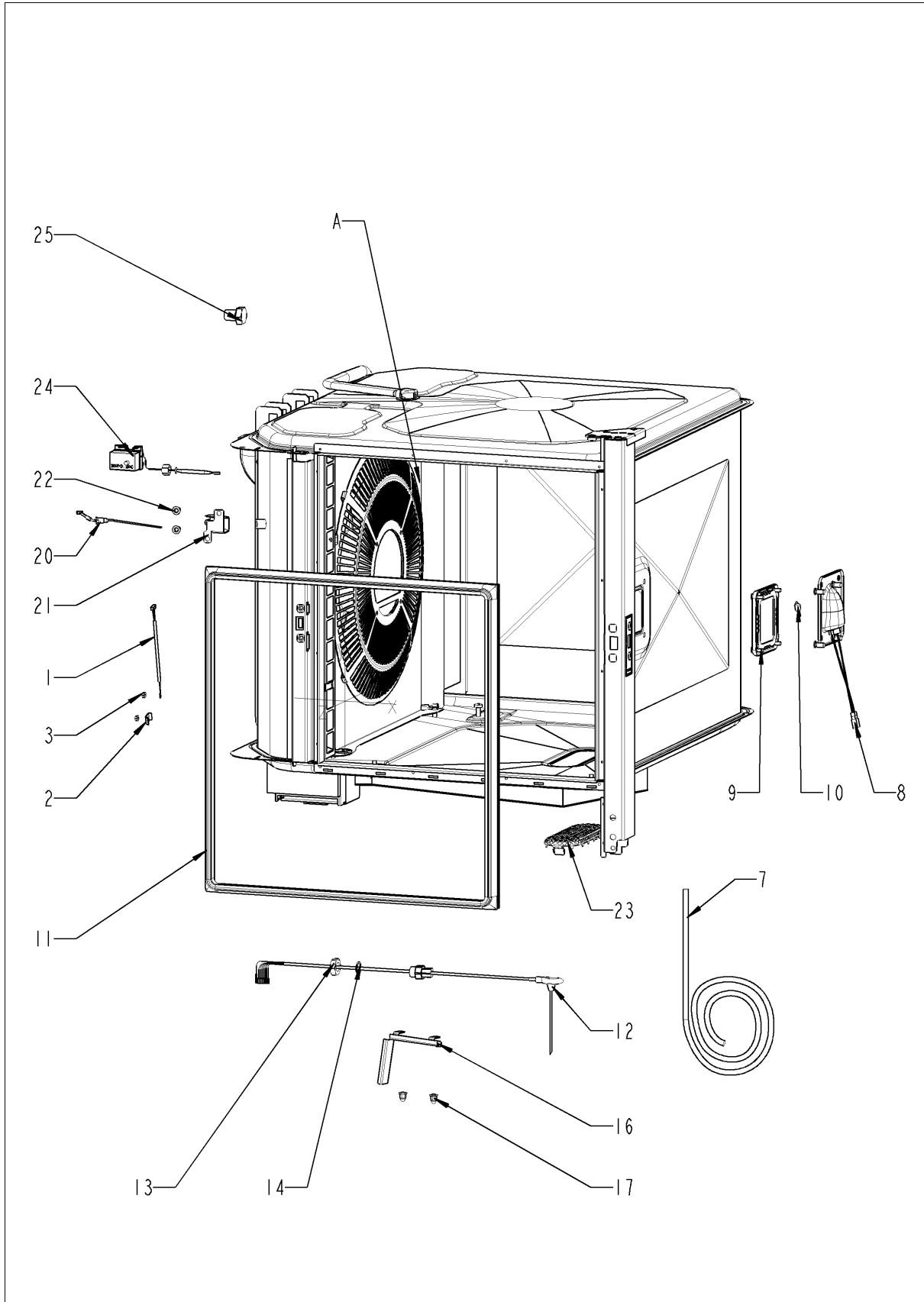


---

## Motor and fan wheel

<b>Pos.</b>	<b>Part No.</b>	<b>Description</b>	<b>Qty.</b>
1	40.03.378	Fan motor	1
3	10.01.049	Square necked mushroom head bolt 6x30	4
4	10.00.709	Hex nut M6 w. locking	2
5	22.00.721	Flange f. motor shaft gasket	1
6	22.00.722	Mounting support f. gasket flange	1
7	22.00.083	Motor shaft gasket	1
8	20.01.755	Isolation for mounting plate for motor	1
9	10.01.065	Hex nut M5	3
10	22.00.828	Fan wheel	1
11	10.00.565	Hex screw M8x20	1
12	1308.0162	Washer A8,4	1
13	10.00.112	Cable clip short	1
14	20.01.411	Bushing for motor mounting bar	4

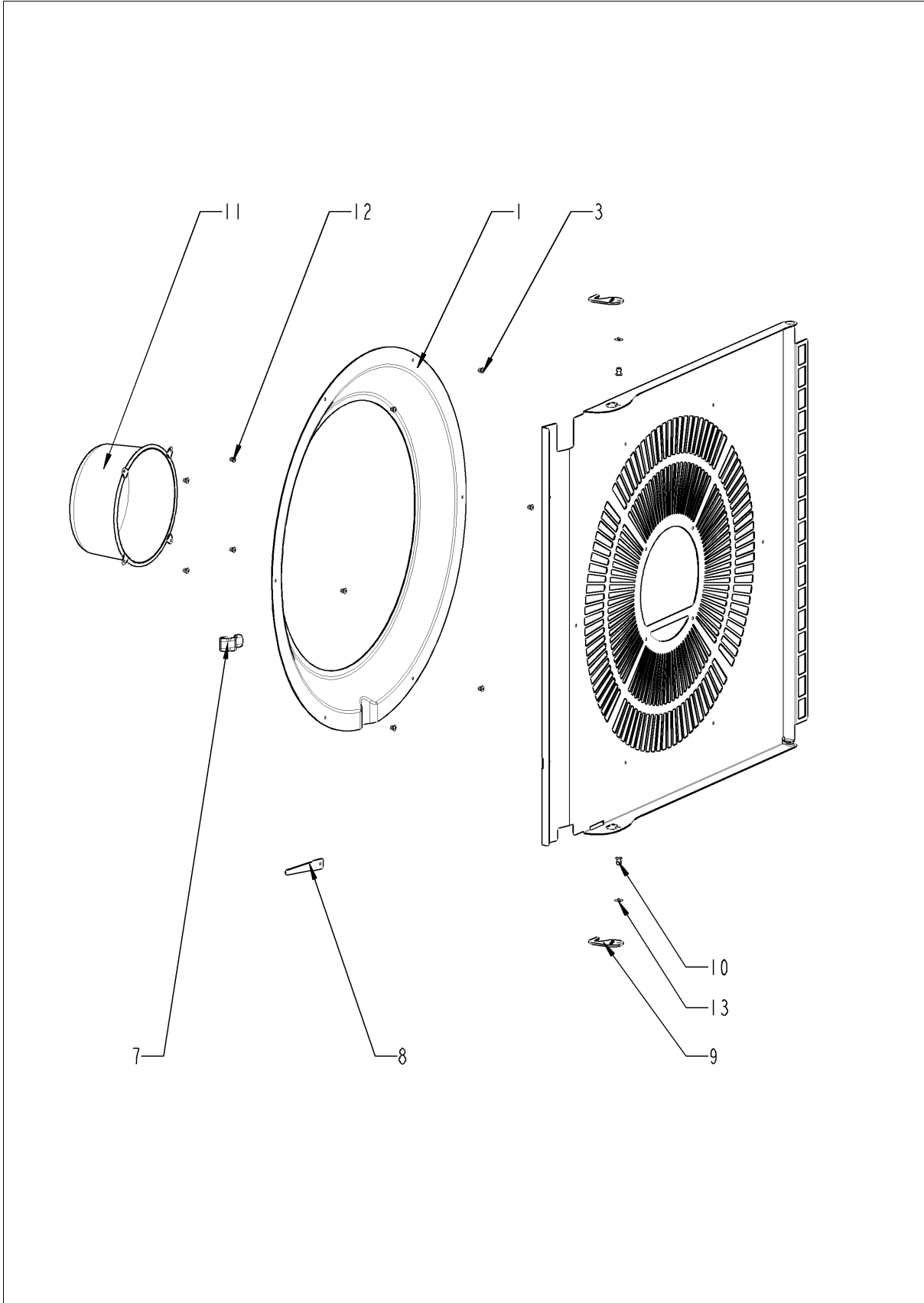
## Interior cabinet



## Interior cabinet

<b>Pos.</b>	<b>Part No.</b>	<b>Description</b>	<b>Qty.</b>
1	40.00.290	Thermocouple humidity	1
2	10.00.087	Clamp strap f. sensor	1
3	10.00.100	Hex nut M4, self-locking	1
7	40.03.531	Wiring interior light	1
8	40.00.098	Reflector f. interior light	1
9	40.00.091	Gasket frame w. glass a. gaskets	1
10	3024.0201	Halogen bulb 300°C	1
11	20.01.800	Door gasket	1
12	40.04.097	Meat probe sensor	1
13	10.00.612	Hex nut M16 flat	1
14	1315.0104	Copper washer 16x20x1,5	1
16	40.01.317	Screen core temperature sensor	1
17	10.01.076	Cap nut M5*A2	2
20	40.04.096	Thermocouple interior cabinet B1	1
21	40.03.782	Screen interior cabinet sensor	1
22	10.01.076	Cap nut M5*A2	2
23	54.01.117	Outlet sieve	1
24	40.01.482	Safety temperature limiter 365°C	1
25	3014.0327	Hex nut M10x1,0	1
A	22.00.741	Air baffle	1

## Air baffle

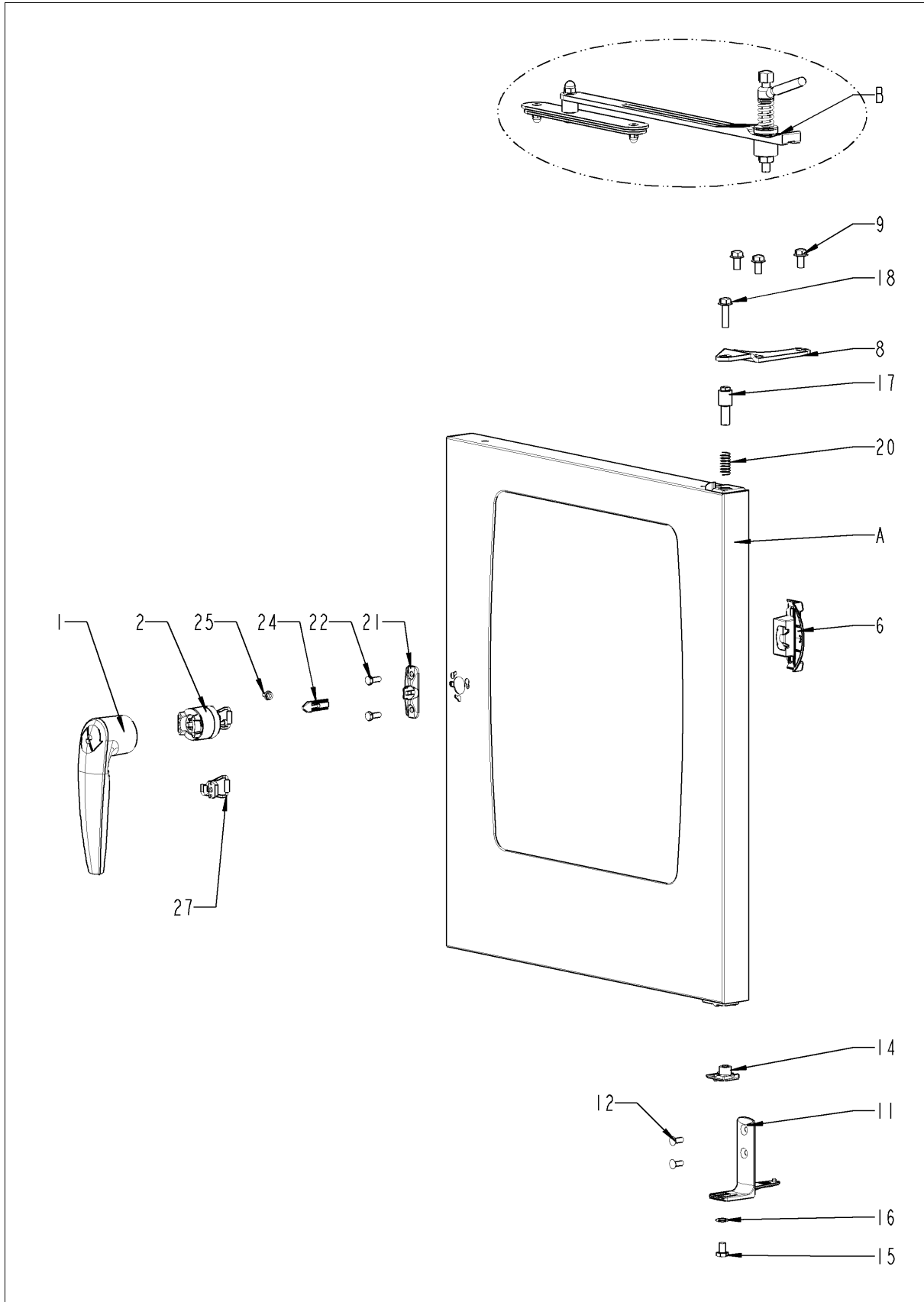




## **Air baffle**

<b>Pos.</b>	<b>Part No.</b>	<b>Description</b>	<b>Qty.</b>
1	22.00.835	Air sucking ring f. air baffle	1
3	10.00.515	Rivet 3,2x5 A4	6
7	40.03.780	Fixing clip core temp. cable	1
8	22.00.491	Surge guard for Meat probe sensor	1
9	2760.1370	Latch hook for air baffle	2
10	1604.0167	Rivet 4x10	3
11	22.00.361	Deep-draw f. air baffle	1
12	10.00.515	Rivet 3,2x5 A4	4
13	10.00.744	Washer A4,3 *A4	1

# Door

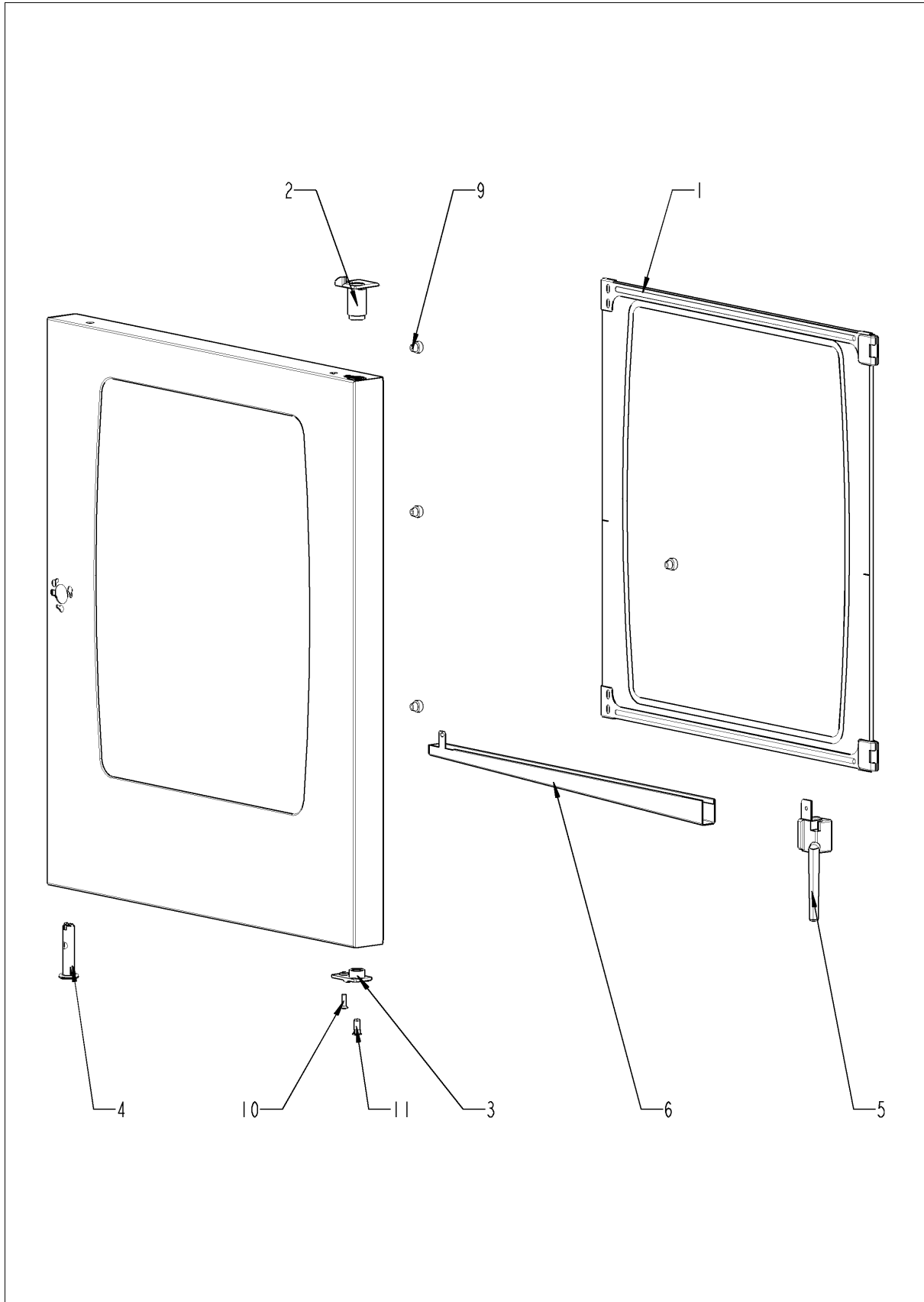


---

## Door

<b>Pos.</b>	<b>Part No.</b>	<b>Description</b>	<b>Qty.</b>
1	24.00.152	Door handle	1
2	24.00.176	Door lock	1
6	24.00.504	Lock cover	1
8	24.00.133	Door mounting support top	1
9	1008.0768	Ornamental screw M8x16	3
11	24.00.223	Door mounting support bottom	1
12	1006.1962	Countersunk screw Torx M6x16	2
14	24.00.137	Door bolt	1
15	10.00.099	Hex screw M8x12	1
16	1308.0160	Washer A8,4	1
17	24.00.048	Door bolt	1
18	1008.0769	Ornamental screw M8x30	1
20	2001.0109	Compression spring	1
21	24.00.141	Holding bracket f. door catch	1
22	1006.0760	Hex screw M6x16	2
24	24.00.142	Door catch	1
25	1005.2000	Interlocking tooth screw M5x8	1
27	24.01.100	Spring clip f. door lock	1
A	24.00.088	Door	1

## Door

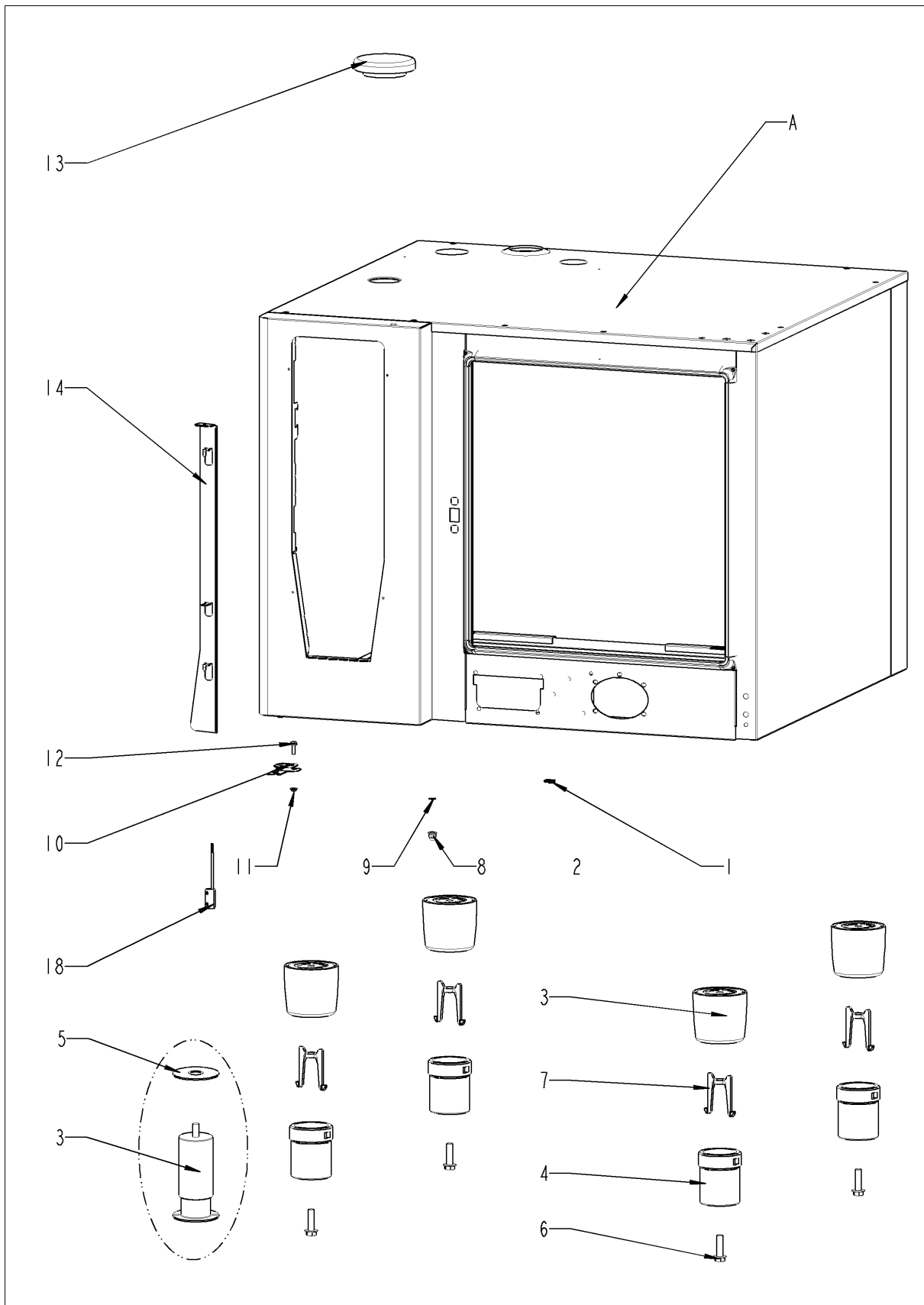


---

## Door

<b>Pos.</b>	<b>Part No.</b>	<b>Description</b>	<b>Qty.</b>
1	24.00.163	Inner door pane	1
2	24.00.147	Sleeve for door bolt top	1
3	24.00.146	Door setting bolt	1
4	24.00.502	Fixing device f. magnet with magnet	1
5	24.01.188	Drain door drip collector	1
6	24.01.800	Door drip collector	1
9	24.00.171	Silicone buffer 7mm for door	1
10	1005.1966	Countersunk screw Torx M5x16	2
11	10.00.041	Rivet nut M5 hexagon closed	2

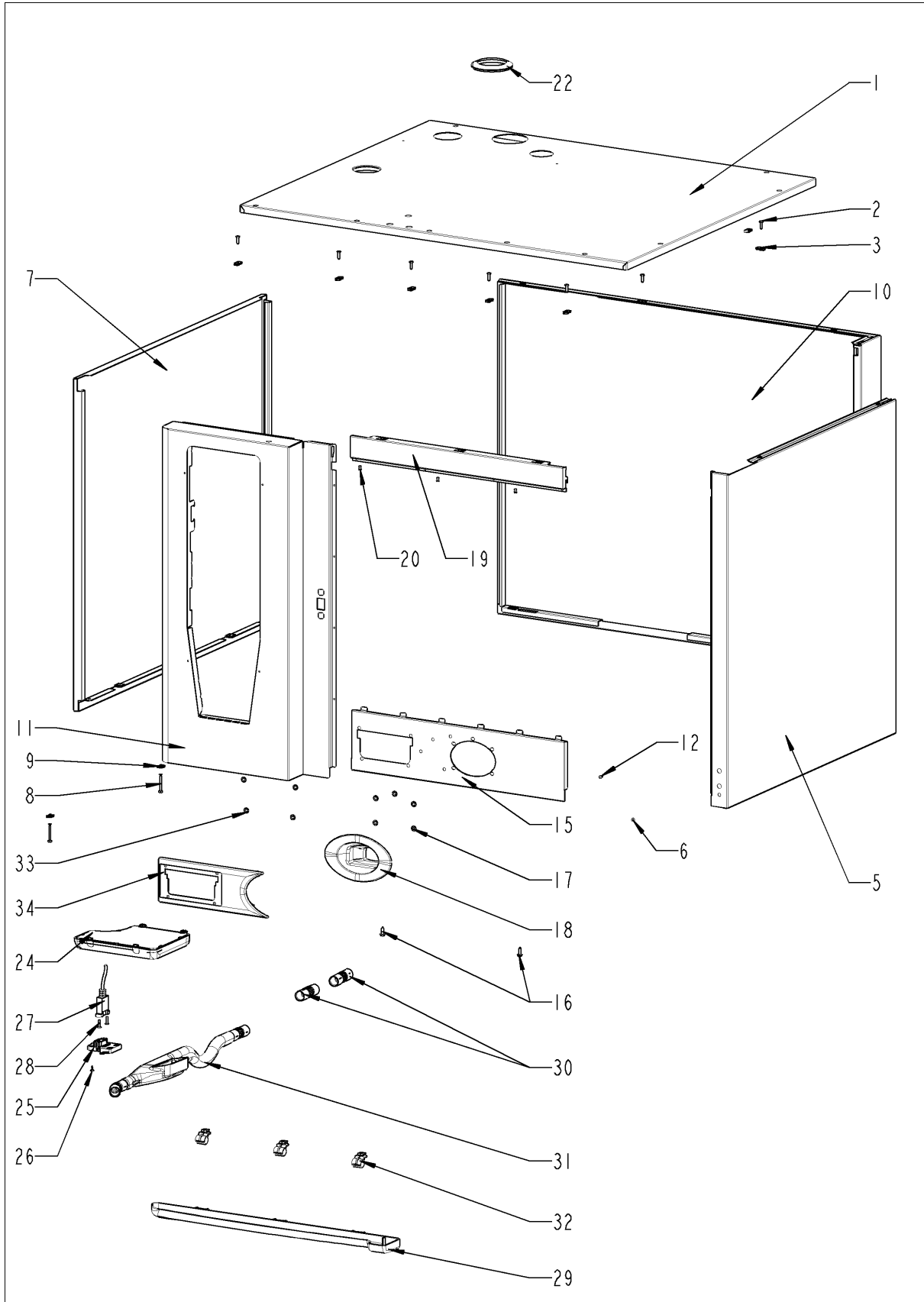
## Exterior cabinet



## Exterior cabinet

<b>Pos.</b>	<b>Part No.</b>	<b>Description</b>	<b>Qty.</b>
1	1104.0820	Snap nut 4,2mm	2
3	12.00.205	Upper part of pedestal	4
4	12.01.133	Lower part of pedestal	4
6	10.00.975	Hex screw M10x35	4
7	12.00.516	Turning lock f. lower part of pedestal	4
8	10.00.745	Cap nut M6*A2	1
9	1206.0120	Tooth lock washer A6,4	1
10	16.01.146	Bracket for door contact switch	1
12	10.01.214	Interlocking tooth screw M5x10	1
13	22.00.767	Vent cover	1
14	16.01.965	Opening mechanism for panel insert	1
18	40.00.335	Door switch	1
A		Exterior cabinet	1

## Exterior cabinet

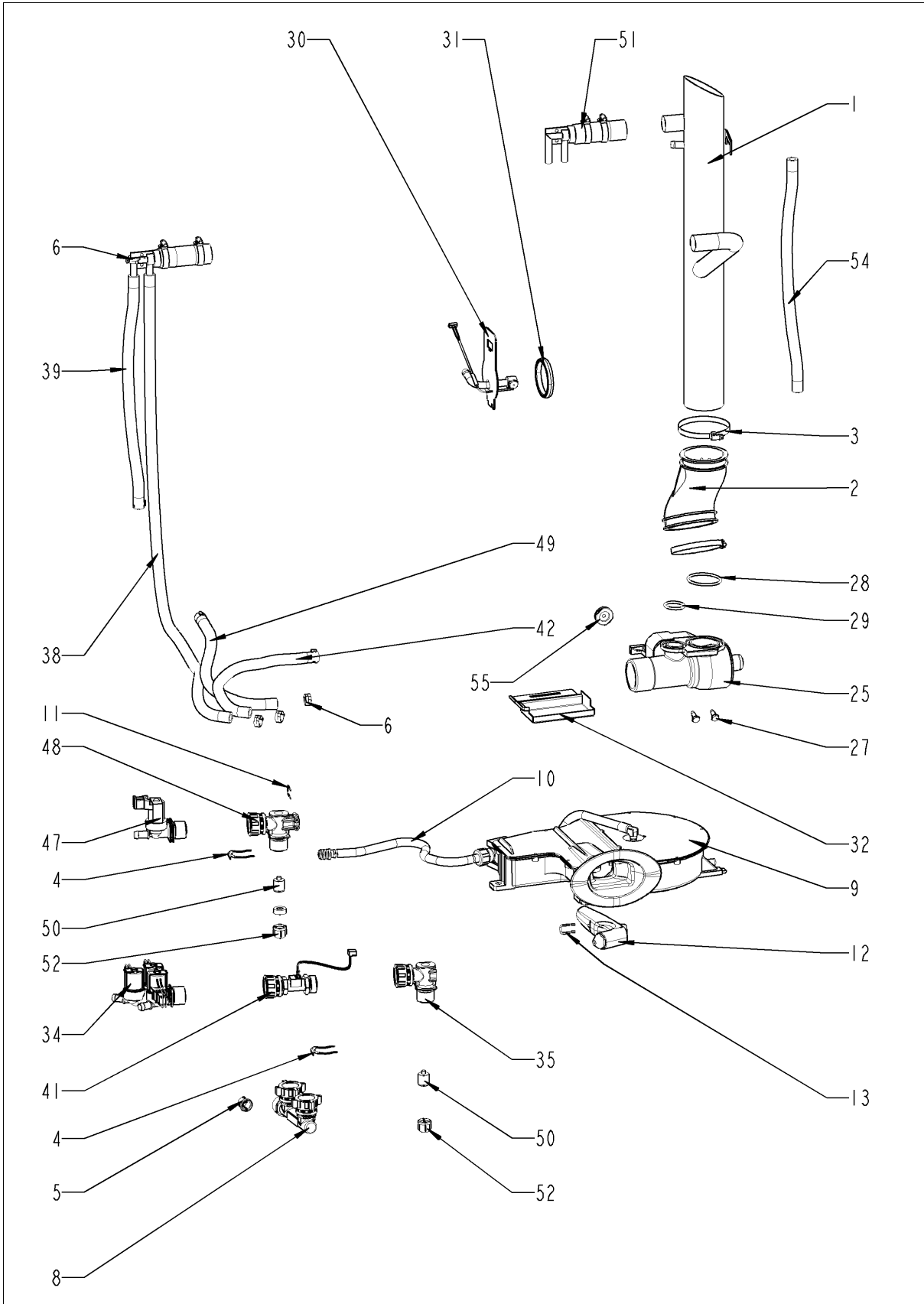




## Exterior cabinet

<b>Pos.</b>	<b>Part No.</b>	<b>Description</b>	<b>Qty.</b>
1	16.02.158	Top cover	1
2	1003.2265	Countersunk self tapping screw 4,2x16	9
3	1104.0820	Snap nut 4,2mm	9
4	1004.2160	Hex self tapping screw 4,2x16	2
5	16.00.135	Side panel right	1
6	1603.0166	Rivet 3,2x7,9 CNS closed	4
7	16.00.136	Side panel left	1
8	10.00.992	Hex self tapping screw B4,2x32	2
9	1104.0820	Snap nut 4,2mm	2
10	16.01.924	Back panel	1
11	16.01.855	Front panel	1
12	1603.0166	Rivet 3,2x7,9 CNS closed	4
15	16.01.488	Crossbar below	1
16	1004.2160	Hex self tapping screw 4,2x16	2
17	1107.0100	Star lock $\varnothing$ 4	5
18	50.00.751	Tulip for handshower with tape	1
19	16.00.180	Crossbar top	1
20	1603.0166	Rivet 3,2x7,9 CNS closed	4
22	16.01.748	Gasket f. breather tube d=63mm	1
24	40.02.684	Air inlet filter cpl.	1
25	16.00.329	Cover f. USB interface	1
26	10.00.103	EJOT PT-screw KA 3.5x10	1
27	40.04.046	Interface cable USB 1.0m	1
28	10.00.460	EJOT PT-Screw Torx 3,5x14	2
29	50.00.286	Drip collector	1
30	50.00.303	Bushing drip collector	2
31	50.01.191	Drain pipe with bushing	1
32	50.00.296	Clip f. drip collector	3
33	1107.0100	Star lock $\varnothing$ 4	4
34	56.00.435	Frame for drawer CareControl	1

# Water



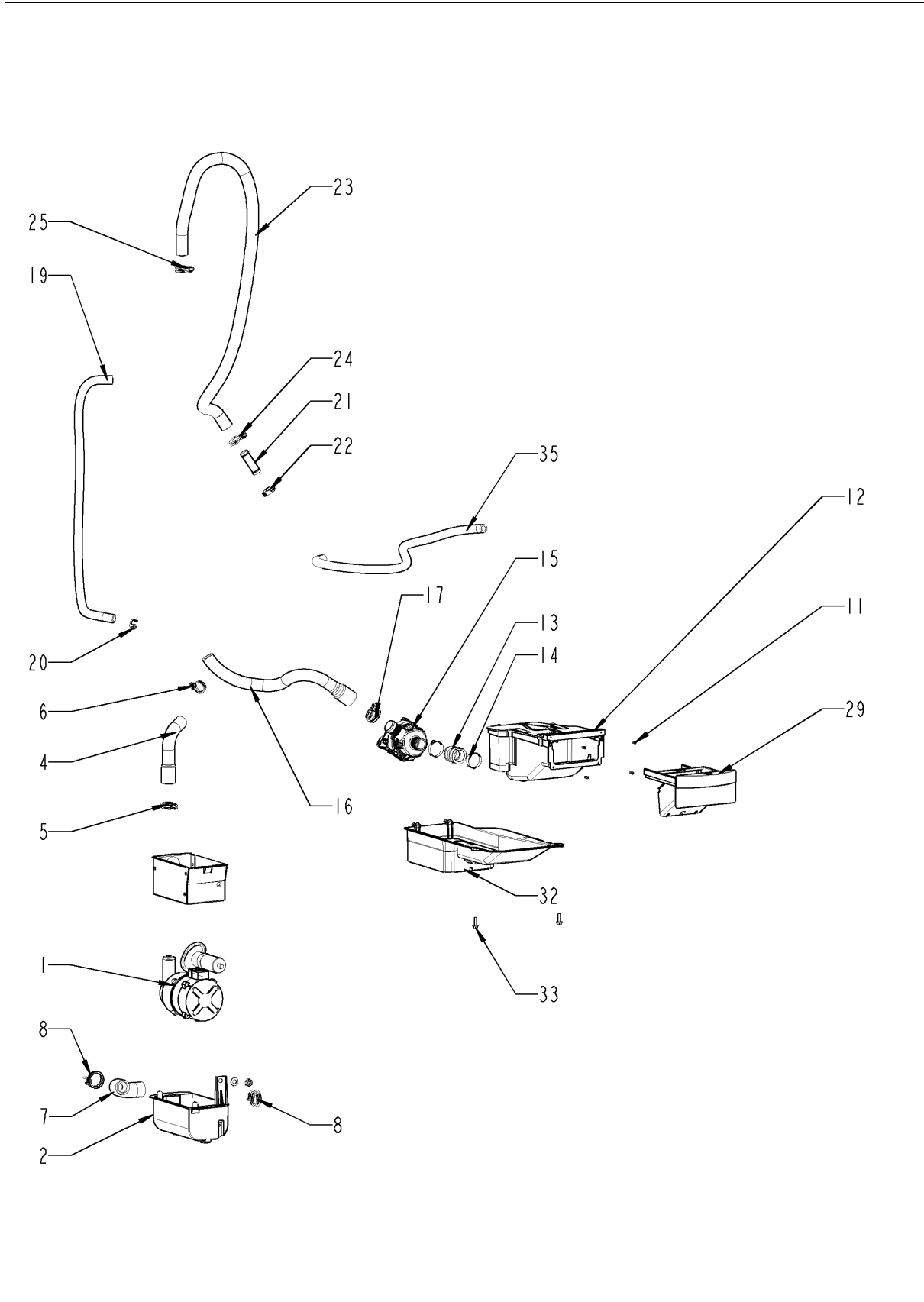
**SelfCooking Center 61 - 6 x 1/1 GastronormG**  
**G61SH1112**



**Water**

<b>Pos.</b>	<b>Part No.</b>	<b>Description</b>	<b>Qty.</b>
1	54.00.736	Ventilation pipe	1
2	54.01.141	Rubber form piece venting pipe	1
3	2066.0516	Hose clamp 60-80 mm	2
4	50.00.086	Locking plate f. water distribution	1
5	1900.0202	Water filter	1
6	2066.0205	Hose clamp 8-16x9 mm SW 7mm	2
8	50.00.313	T-fitting water connection	1
9	50.00.140	Hand shower roll guide	1
10	50.01.213	Connect. pipe f. hand shower roll guide	1
11	50.00.085	Plug-in spring f. hand shower roll guide	1
12	50.00.130	Hand shower	1
13	50.00.156	Clamp f. hand shower roll guide	1
14	10.01.004	Truss head screw with flange MLF A2 M6x20	1
15	10.00.745	Cap nut M6*A2	1
25	54.00.357	Ball valve drain SCC cpl.	1
27	10.00.449	Pan head screw M6x16	2
28	10.00.511	O-ring for ball valve drain 46x3.5	1
29	10.00.512	O-ring for ball valve drain 26x3.5	1
30	54.01.148	Inspection lid, quenching nozzle, B2	1
31	54.01.168	Gasket f. inspection lid quenching	1
32	54.01.191	Collecting pan	1
33	10.00.745	Cap nut M6*A2	1
34	50.01.050	Triple solenoid valve	1
35	50.00.071	Water distribution hor. w/o roll guide con.	1
38	2067.0050	Pressure hose d10mm	.92
39	2067.0050	Pressure hose d10mm	.41
41	50.01.523	Water volume sensor	1
42	2067.0050	Pressure hose d10mm	.33
47	50.01.146	Single solenoid valve	1
48	50.00.070	Water distribution hor roll guide con.	1
49	2067.0050	Pressure hose d10mm	.31
50	50.00.078	Non return valve DW16/DN12	2
51	8354.1304	Venting valve for steam generator	1
52	1900.0202	Water filter	2
55	2022.0101	Grommet d8mm	1

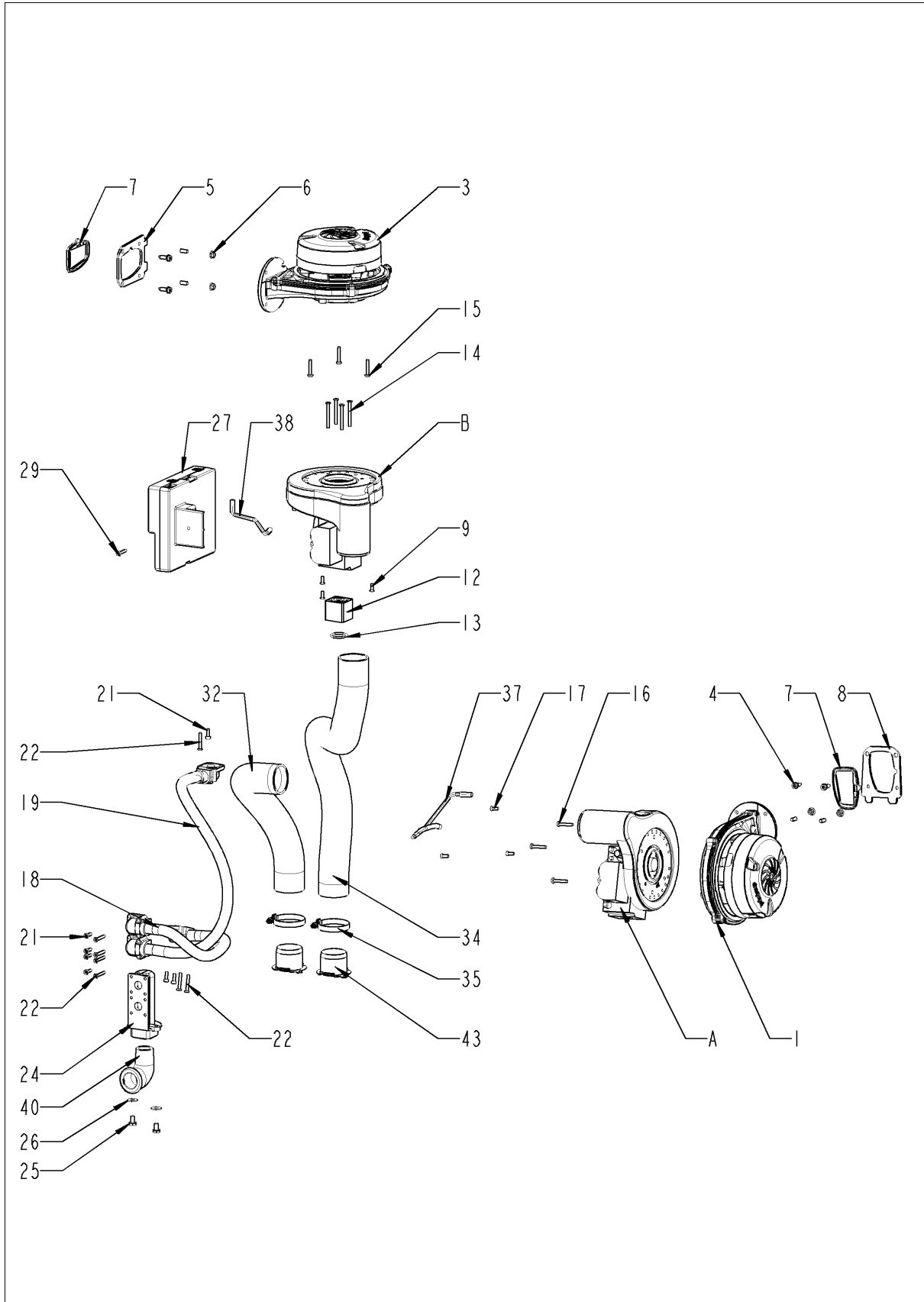
## CleanJet + Care



## **CleanJet + Care**

<b>Pos.</b>	<b>Part No.</b>	<b>Description</b>	<b>Qty.</b>
1	56.00.185	Pump f. cleaning UP30	1
2	12.00.319	Housing f. Cleaning pump	1
4	56.00.166	Pressure hose f. cleaning	1
5	2066.0518	Hose clamp 30mm	1
6	2066.0521	Hose clamp 27mm	1
7	56.00.605	Suction hose f. cleaning	1
8	2066.0518	Hose clamp 30mm	2
11	10.00.980	EJOT PT-Screw K30x10	4
12	56.00.492	Care container table unit	1
13	56.00.462	Bushing care container/pump	1
14	10.00.984	Hose clamp CLIC d=27.5mm	2
15	56.00.451	Pump f. CareControl DPS 35	1
16	56.00.534	Care hose 1	1
17	2066.0518	Hose clamp 30mm	1
18	40.02.965	Cable harness solenoid valve / SC-pump	1
19	2067.0164	Pressure hose ø10mm 650mm long	1
20	10.00.873	Hose clamp CLIC d=15.5mm	1
21	56.00.537	Pipe f. Care hose	1
22	10.00.983	Hose clamp CLIC d=23mm	1
23	56.00.457	Care hose 2	1
24	10.00.605	Hose clamp ø25.3	1
29	56.00.488	Drawer Care container	1
32	56.00.375	Cover for pump	1
33	10.01.214	Interlocking tooth screw M5x10	2
35	2067.0050	Pressure hose d10mm	.65

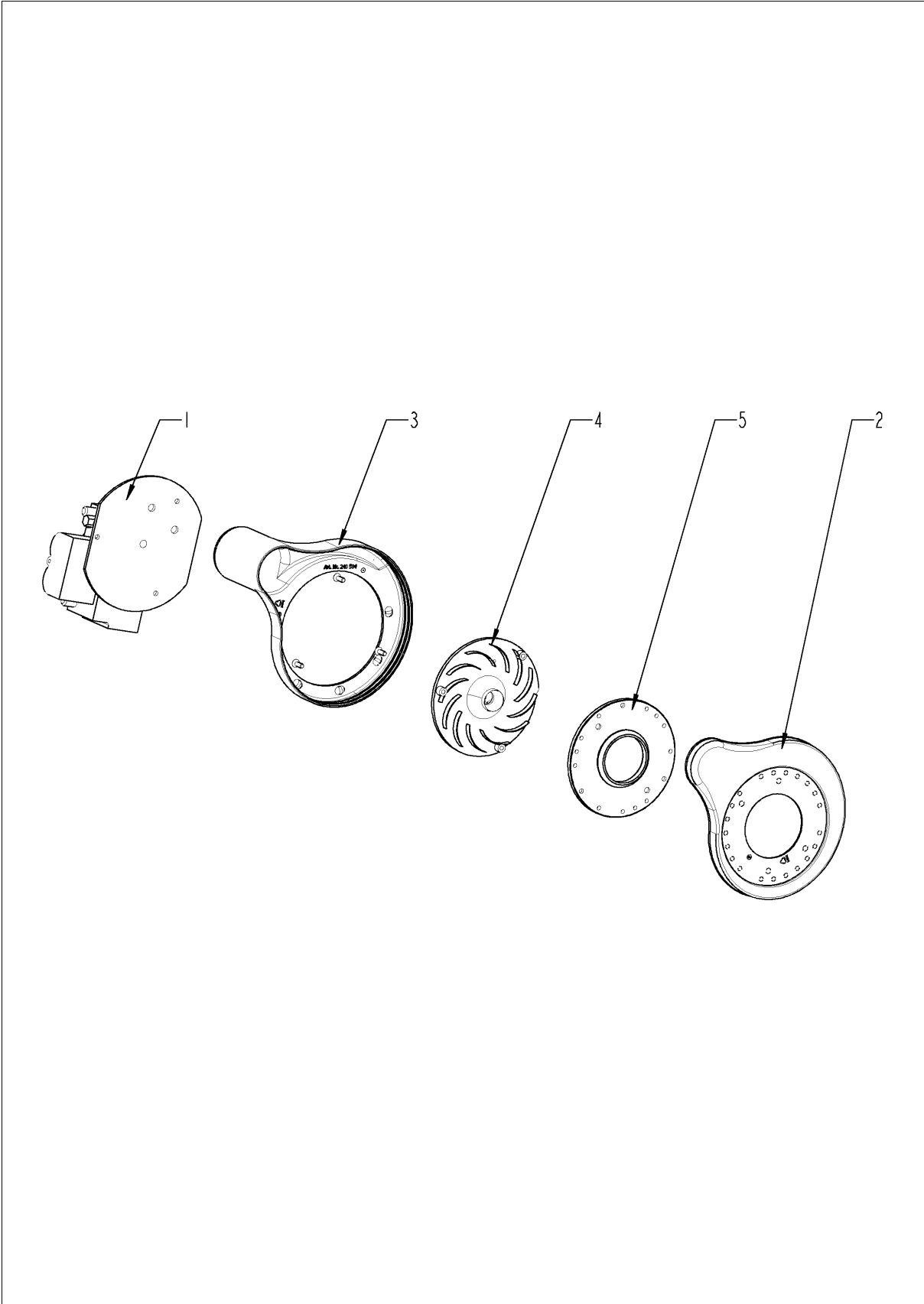
## Gas parts



## Gas parts

<b>Pos.</b>	<b>Part No.</b>	<b>Description</b>	<b>Qty.</b>
1	70.00.566	Blower for burner NRG118	1
3	70.00.566	Blower for burner NRG118	1
4	10.00.990	Hex screw M5x16 Torx T20	4
5	70.00.495	Flange f. burner blower RG118	1
6	10.01.065	Hex nut M5	4
7	70.00.497	Gasket f. blower burner	2
8	70.00.451	Flange f. burner blower RG118	1
9	10.00.065	Countersunk screw Torx T20 M4x12	3
12	70.00.637	Spacer sleeve f. gas burner blower	1
13	70.00.262	O-ring 21.89x2.62	2
14	10.00.068	Countersunk screw Torx T20 M4x40	4
15	10.00.063	Pan head screw Torx T20 M4x25	3
16	10.00.063	Pan head screw Torx T20 M4x25	3
17	10.00.065	Countersunk screw Torx T20 M4x12	3
18	70.00.122	Corrugated hose 390mm	1
19	70.00.090	Corrugated hose 600mm	1
21	10.00.061	Pan head screw Torx T20 M4x12	8
22	10.00.063	Pan head screw Torx T20 M4x25	8
24	74.00.308	Gas connection manifold 2x3/4"	1
25	1006.0762	Hex screw M6x10	2
26	1306.0222	Washer A6,4x15x1,5	2
27	74.00.883	Automatic ignition controller	1
29	10.00.062	Pan head screw Torx T20 M4x20	1
32	70.00.631	Air hose D40x350mm	1
34	70.00.454	Air hose D40x600mm	1
37	70.00.624	Silicone hose ø8x1,6x141mm	1
38	70.00.623	Silicone hose ø8x1,6x115mm	1
40	70.00.188	Hose fitting 3/4"-3/4"	1
43	70.00.221	Air hose fixing device 40mm	2
A		Gas valve RH	1
B		Gas valve SEP	1

## Gas valve

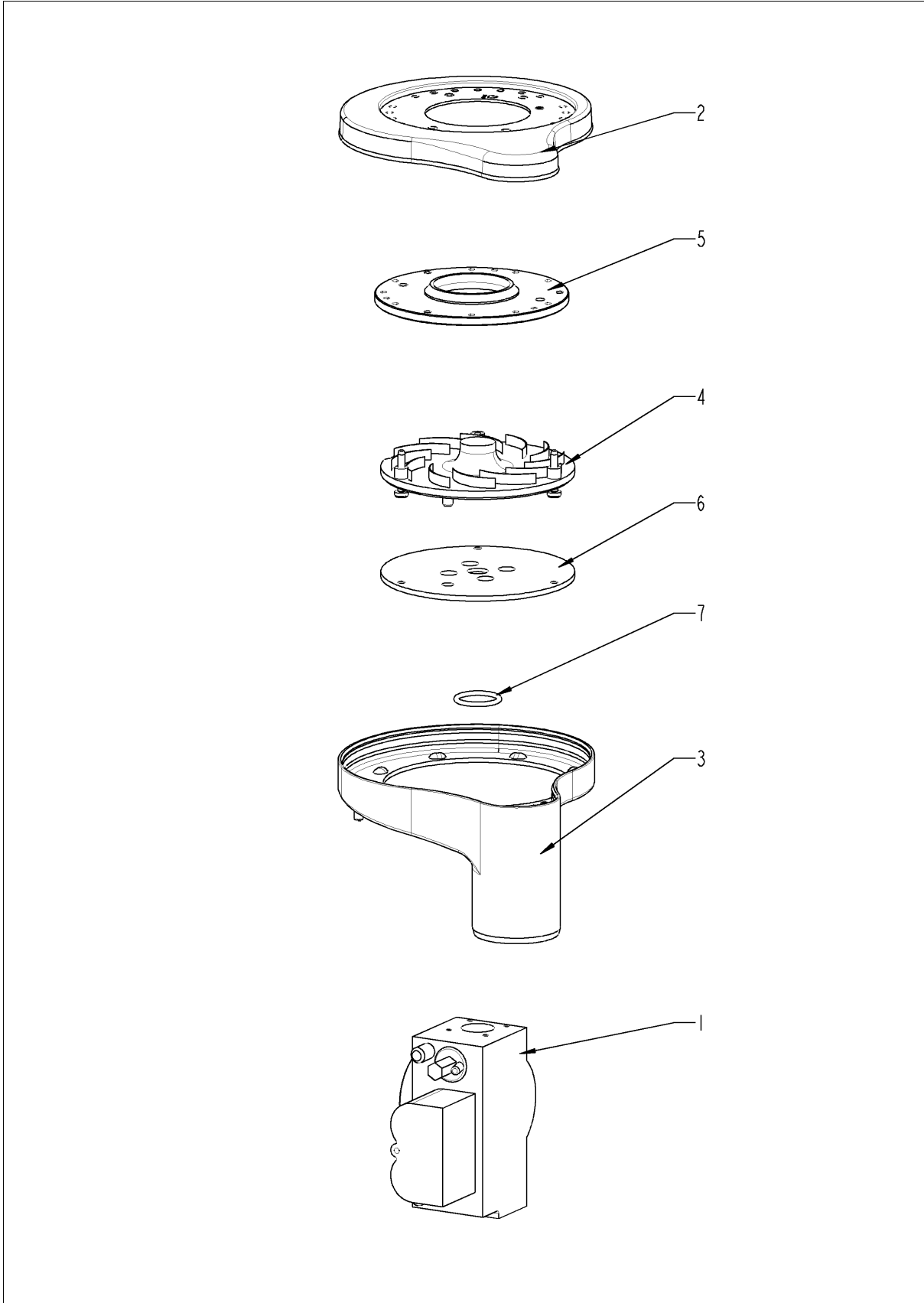




## **Gas valve**

<b>Pos.</b>	<b>Part No.</b>	<b>Description</b>	<b>Qty.</b>
1	70.00.577	Gas valve RH	1
2	70.00.255	Premix chamber cover gas f. RG130	1
3	70.00.030	Premix chamber gas f. RG130	1
4	70.00.580	Premix disc gas	1
5	70.00.256	Disc premix chamber-blower RG130	1

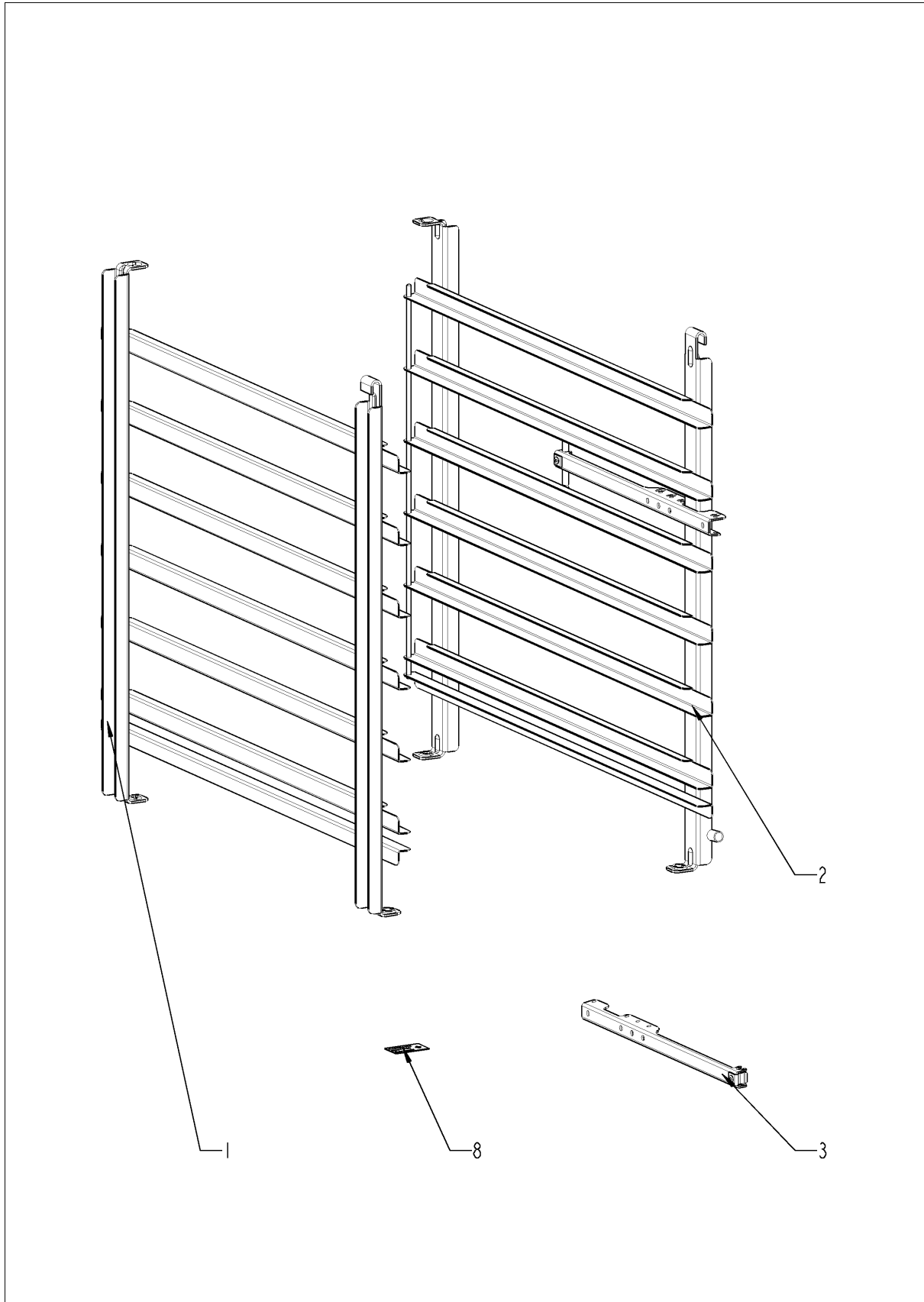
## Gas valve



## **Gas valve**

<b>Pos.</b>	<b>Part No.</b>	<b>Description</b>	<b>Qty.</b>
1	70.00.576	Gas valve SEP	1
2	70.00.255	Premix chamber cover gas f. RG130	1
3	70.00.030	Premix chamber gas f. RG130	1
4	70.00.580	Premix disc gas	1
5	70.00.256	Disc premix chamber-blower RG130	1
6	70.00.108	Disc gas valve-premix chamber	1
7	70.00.261	O-ring 17x1.5	1

## Standard accessory



**SelfCooking Center 61 - 6 x 1/1 GastronormG**  
**G61SH1112**

---



## **Standard accessory**

<b>Pos.</b>	<b>Part No.</b>	<b>Description</b>	<b>Qty.</b>
3	60.71.022	Positioning support f. core sensor	1
8	10.01.194	Sticker set	1
10	60.71.381	Water connection kit, table unit G/USA	1

## Index

<b>Part-no.</b>	<b>Description</b>	<b>Page</b>
22.00.741	Air baffle .....	23
70.00.631	Air hose D40x350mm .....	39
70.00.454	Air hose D40x600mm .....	39
70.00.221	Air hose fixing device 40mm .....	39
40.02.684	Air inlet filter cpl. ....	33
22.00.914	Air inlet pipe .....	11
22.00.835	Air sucking ring f. air baffle .....	25
10.00.696	Allen screw M4x6 w. Precoat 85 .....	19
74.00.883	Automatic ignition controller .....	39
16.01.924	Back panel .....	33
54.00.357	Ball valve drain SCC cpl. ....	35
70.00.566	Blower for burner NRG118 .....	39
16.01.146	Bracket for door contact switch .....	31
74.00.821	Burner hot air .....	17
70.00.573	Burner pipe .....	13
72.00.078	Burner steam gen. ....	13
40.03.995	Bus cable 0.85m .....	7
56.00.462	Bushing care container/pump .....	37
50.00.303	Bushing drip collector .....	33
20.01.411	Bushing for motor mounting bar .....	21
10.00.111	Cable clip long .....	11
10.00.112	Cable clip short .....	21
40.00.320	Cable connection M20x1.5 .....	7
40.03.452	Cable control harness .....	9
40.04.181	Cable harness isolating transformer .....	9
40.02.965	Cable harness solenoid valve / SC-pump .....	37
40.03.516	Cable MMI - CPU .....	5
40.03.515	Cable MMI - TFT .....	5
40.03.467	Cable On-Off switch MMI .....	5
10.01.076	Cap nut M5*A2 .....	23
10.00.745	Cap nut M6*A2 .....	31, 35
56.00.492	Care container table unit .....	37

## Index

<b>Part-no.</b>	<b>Description</b>	<b>Page</b>
56.00.534	Care hose 1 .....	37
56.00.457	Care hose 2 .....	37
50.00.156	Clamp f. hand shower roll guide .....	35
10.00.087	Clamp strap f. sensor .....	23
50.00.296	Clip f. drip collector .....	33
54.01.191	Collecting pan .....	35
2001.0109	Compression spring .....	27
50.01.213	Connect. pipe f. hand shower roll guide .....	35
40.03.761	Contacto 3TG1010-3AK2 .....	9
40.03.322	Contacto assembly .....	9
87.01.005	Control panel insert with overlay *RAT* .....	5
42.00.160	Control pcb .....	7
42.00.112	Control pcb *TFT* .....	5
40.03.348	Control transformer T1 .....	9
40.03.257	Converter 230VAC 24VDC .....	7
40.03.428	Cooling fan .....	7
1315.0104	Copper washer 16x20x1,5 .....	23
70.00.122	Corrugated hose 390mm .....	39
70.00.090	Corrugated hose 600mm .....	39
1005.1966	Countersunk screw Torx M5x16 .....	29
1006.1962	Countersunk screw Torx M6x16 .....	27
10.00.065	Countersunk screw Torx T20 M4x12 .....	39
10.00.068	Countersunk screw Torx T20 M4x40 .....	39
1003.2265	Countersunk self tapping screw 4,2x16 .....	33
16.01.910	Cover f. control pcb w. gasket .....	5
16.00.329	Cover f. USB interface .....	33
56.00.375	Cover for pump .....	37
16.01.488	Crossbar below .....	33
16.00.180	Crossbar top .....	33
22.00.361	Deep-draw f. air baffle .....	25
16.02.062	Dial f. pulse generator .....	5
70.00.108	Disc gas valve-premix chamber .....	43

## Index

<b>Part-no.</b>	<b>Description</b>	<b>Page</b>
70.00.256	Disc premix chamber-blower RG130 .....	41, 43
24.00.088	Door .....	27
24.00.137	Door bolt .....	27
24.00.048	Door bolt .....	27
24.00.142	Door catch .....	27
24.01.800	Door drip collector .....	29
20.01.800	Door gasket .....	23
24.00.152	Door handle .....	27
24.00.176	Door lock .....	27
24.00.223	Door mounting support bottom .....	27
24.00.133	Door mounting support top .....	27
24.00.146	Door setting bolt .....	29
40.00.335	Door switch .....	31
24.01.188	Drain door drip collector .....	29
22.00.960	Drain hose for humidity control .....	11
44.00.234	Drain hose steam generator .....	13
50.01.191	Drain pipe with bushing .....	33
56.00.488	Drawer Care container .....	37
50.00.286	Drip collector .....	33
40.02.515	Dry up protector 315°F/157°C .....	9
74.00.873	Earth electrode, hot air .....	19
10.00.980	EJOT PT-Screw K30x10 .....	37
10.00.103	EJOT PT-screw KA 3.5x10 .....	33
10.00.460	EJOT PT-Screw Torx 3,5x14 .....	33
40.01.483	Electronic noise filter .....	9
44.00.207	Emptying pump .....	13
40.03.660	Fan housing .....	7
40.03.378	Fan motor .....	21
22.00.828	Fan wheel .....	21
44.00.253	Filling level electrode 85mm .....	13
44.01.168	Fixing angle steam generator .....	13
40.03.780	Fixing clip core temp. cable .....	25



## Index

<b>Part-no.</b>	<b>Description</b>	<b>Page</b>
40.03.756	Fixing clip f. pcb .....	7
40.03.533	Fixing clip f. pcb .....	7
40.01.579	Fixing clip f. pcb .....	9
24.00.502	Fixing device f. magnet with magnet .....	29
44.01.248	Fixing device f. pump steam generator .....	13
44.00.516	Fixing plate steam generator thermostat .....	13
70.00.495	Flange f. burner blower RG118 .....	39
70.00.451	Flange f. burner blower RG118 .....	39
22.00.721	Flange f. motor shaft gasket .....	21
56.00.435	Frame for drawer CareControl .....	33
16.01.855	Front panel .....	33
40.01.487	Fuse holder 2pol .....	9
40.02.512	Fuse holder 2x6.3A .....	9
40.01.873	Fuse SC-15A 10x38 .....	9
74.00.308	Gas connection manifold 2x3/4" .....	39
70.00.577	Gas valve RH .....	41
70.00.576	Gas valve SEP .....	43
74.00.290	Gasket electrode hot air .....	19
70.00.497	Gasket f. blower burner .....	39
16.01.748	Gasket f. breather tube d=63mm .....	33
72.00.067	Gasket f. burner carrier .....	13
74.00.296	Gasket f. heat exchanger below .....	17
22.00.881	Gasket f. hum. meas. Pipe .....	11
44.00.250	Gasket f. ignition electrode .....	13
54.01.168	Gasket f. inspection lid quenching .....	35
40.00.091	Gasket frame w. glass a. gaskets .....	23
74.00.814	Gasket hot air heat exchanger/interior cabinet .....	17
2022.0101	Grommet d8mm .....	35
3024.0201	Halogen bulb 300°C .....	23
50.00.130	Hand shower .....	35
50.00.140	Hand shower roll guide .....	35
1104.0122	Hex combination nut M4 galv .....	11, 13

## Index

<b>Part-no.</b>	<b>Description</b>	<b>Page</b>
1105.0121	Hex combination nut M5 galv .....	13
1104.0120	Hex nut M4 .....	13
1104.0121	Hex nut M4 self locking .....	7
10.00.100	Hex nut M4, self-locking .....	23
10.01.065	Hex nut M5 .....	9, 17, 21, 39
1105.0120	Hex nut M5 .....	13
10.00.709	Hex nut M6 w. locking .....	13, 21
3014.0302	Hex nut M10 for dry-up protector .....	9
3014.0327	Hex nut M10x1,0 .....	9, 23
10.00.612	Hex nut M16 flat .....	23
10.00.990	Hex screw M5x16 Torx T20 .....	39
1006.0762	Hex screw M6x10 .....	13, 39
1006.0760	Hex screw M6x16 .....	27
10.00.099	Hex screw M8x12 .....	27
10.00.565	Hex screw M8x20 .....	21
1008.0766	Hex screw M8x30 .....	7
10.00.975	Hex screw M10x35 .....	31
1004.2160	Hex self tapping screw 4,2x16 .....	33
10.00.992	Hex self tapping screw B4,2x32 .....	33
24.00.141	Holding bracket f. door catch .....	27
2066.0205	Hose clamp 8-16x9 mm SW 7mm .....	35
2066.0521	Hose clamp 27mm .....	37
2066.0518	Hose clamp 30mm .....	13, 37
2066.0519	Hose clamp 35,6mm .....	13
2066.0504	Hose clamp 40-60mm .....	13
2066.0516	Hose clamp 60-80 mm .....	35
10.00.873	Hose clamp CLIC d=15.5mm .....	37
10.00.983	Hose clamp CLIC d=23mm .....	37
10.00.984	Hose clamp CLIC d=27.5mm .....	37
2066.0527	Hose clamp ø14mm .....	11, 15
2066.0530	Hose clamp ø16.4mm .....	15
10.00.605	Hose clamp ø25.3 .....	37

## Index

<b>Part-no.</b>	<b>Description</b>	<b>Page</b>
2066.0526	Hose clamp ø46mm .....	13
70.00.188	Hose fitting 3/4"-3/4" .....	39
22.00.525	Hose set f. humidity control .....	11
74.00.758	Hot air heat exchanger .....	17
12.00.319	Housing f. Cleaning pump .....	37
22.00.725	Humidity control cpl. ....	11
44.01.218	Ignition electrode steam generator .....	13
74.00.034	Ignitionelectrode, hot air .....	19
24.00.163	Inner door pane .....	29
54.01.148	Inspection lid, quenching nozzle, B2 .....	35
72.00.077	Insulation f. burner steam gen. ....	13
40.04.046	Interface cable USB 1.0m .....	33
1005.2000	Interlocking tooth screw M5x8 .....	27
10.01.214	Interlocking tooth screw M5x10 .....	31, 37
20.01.755	Isolation for mounting plate for motor .....	21
2062.0331	Junction pressure hose GS 10 .....	15
2760.1370	Latch hook for air baffle .....	25
24.00.504	Lock cover .....	27
50.00.086	Locking plate f. water distribution .....	35
40.04.034	Loudspeaker K 64 WPT .....	7
12.01.133	Lower part of pedestal .....	31
74.00.813	Mating flange heat exchanger .....	17
40.04.097	Meat probe sensor .....	23
42.00.081	MMI pcb .....	5
22.00.083	Motor shaft gasket .....	21
40.03.664	Mounting base for control pcb .....	7
40.03.391	Mounting device converter .....	7
22.00.882	Mounting device f. pressure sensor .....	11
22.00.722	Mounting support f. gasket flange .....	21
40.03.480	Mounting support power transformer .....	7
40.03.404	Mounting support transformer .....	9
50.00.078	Non return valve DW16/DN12 .....	35

## Index

<b>Part-no.</b>	<b>Description</b>	<b>Page</b>
50.00.844	Nozzle f. moistening .....	17
70.00.261	O-ring 17x1.5 .....	43
70.00.262	O-ring 21.89x2.62 .....	39
10.00.512	O-ring for ball valve drain 26x3.5 .....	35
10.00.511	O-ring for ball valve drain 46x3.5 .....	35
22.00.837	O-ring for humidity control .....	11
16.01.965	Opening mechanism for panel insert .....	31
1008.0768	Ornamental screw M8x16 .....	27
1008.0769	Ornamental screw M8x30 .....	27
22.00.850	Outer humidity meas. Piece .....	11
54.01.117	Outlet sieve .....	23
10.00.449	Pan head screw M6x16 .....	35
10.00.365	Pan head screw Torx M3x20 .....	9
10.00.061	Pan head screw Torx T20 M4x12 .....	39
10.00.062	Pan head screw Torx T20 M4x20 .....	39
10.00.063	Pan head screw Torx T20 M4x25 .....	39
56.00.537	Pipe f. Care hose .....	37
50.00.085	Plug-in spring f. hand shower roll guide .....	35
60.71.022	Positioning support f. core sensor .....	45
40.01.597	Power supply cable 3xAWG14 .....	7
40.00.279	Power transformer .....	7
70.00.255	Premix chamber cover gas f. RG130 .....	41, 43
70.00.030	Premix chamber gas f. RG130 .....	41, 43
70.00.580	Premix disc gas .....	41, 43
2067.0050	Pressure hose d10mm .....	35, 37
56.00.166	Pressure hose f. cleaning .....	37
2067.0164	Pressure hose ø10mm 650mm long .....	37
3017.1011	Pressure sensor for humidity control Huba 401 .....	11
40.00.404	Pulse generator .....	5
2118.1000	Pump connection spout .....	15
8354.1320	Pump connection spout cpl. ....	13
56.00.451	Pump f. CareControl DPS 35 .....	37

## Index

<b>Part-no.</b>	<b>Description</b>	<b>Page</b>
56.00.185	Pump f. cleaning UP30 .....	37
40.00.098	Reflector f. interior light .....	23
10.00.515	Rivet 3,2x5 A4 .....	25
1603.0166	Rivet 3,2x7,9 CNS closed .....	33
1604.0167	Rivet 4x10 .....	25
10.00.041	Rivet nut M5 hexagon closed.....	29
10.00.989	Rivet with screw .....	7
54.01.141	Rubber form piece venting pipe .....	35
40.01.482	Safety temperature limiter 365°C .....	9, 23
40.01.317	Screen core temperature sensor .....	23
40.03.782	Screen interior cabinet sensor .....	23
42.00.128	SD-memory card 4GB .....	7
16.01.908	Sealing f. panel insert .....	5
16.00.136	Side panel left .....	33
16.00.135	Side panel right .....	33
2110.1008	Silicon hose ø10x2mm .....	15
24.00.171	Silicone buffer 7mm for door .....	29
70.00.623	Silicone hose ø8x1,6x115mm .....	39
70.00.624	Silicone hose ø8x1,6x141mm .....	39
50.01.146	Single solenoid valve .....	35
24.00.147	Sleeve for door bolt top .....	29
1104.0820	Snap nut 4,2mm .....	31, 33
10.00.243	Spacer M4x8 .....	7
70.00.637	Spacer sleeve f. gas burner blower .....	39
24.01.100	Spring clip f. door lock .....	27
10.01.049	Square necked mushroom head bolt 6x30 .....	21
1107.0100	Star lock ø4 .....	33
44.00.938	Steam generator insulated .....	13
2112.1006	Steam hose 50x7mm .....	13
44.01.135	Steam pipe .....	13
10.01.194	Sticker set .....	45
2120.1259	Stop plug 10mm .....	15

## Index

<b>Part-no.</b>	<b>Description</b>	<b>Page</b>
56.00.605	Suction hose f. cleaning .....	37
22.00.491	Surge guard for Meat probe sensor .....	25
50.00.313	T-fitting water connection .....	35
40.00.290	Thermocouple humidity .....	23
40.04.096	Thermocouple interior cabinet B1 .....	23
40.04.108	Thermocouple steam generator *B5* .....	13
4005.0101	Tie rap 145 mm .....	15
1205.0120	Tooth lock washer A5,3 .....	13
1206.0120	Tooth lock washer A6,4 .....	31
16.02.158	Top cover .....	33
50.01.050	Triple solenoid valve .....	35
10.01.004	Truss head screw with flange MLF A2 M6x20 .....	35
50.00.751	Tulip for handshower with tape .....	33
12.00.516	Turning lock f. lower part of pedestal .....	31
50.00.846	Union nut M12x13.2 N .....	17
12.00.205	Upper part of pedestal .....	31
22.00.767	Vent cover .....	11, 31
54.00.736	Ventilation pipe .....	35
8354.1304	Venting valve for steam generator .....	35
10.00.744	Washer A4,3 *A4 .....	25
1306.0222	Washer A6,4x15x1,5 .....	13, 39
1308.0162	Washer A8,4 .....	21
1308.0160	Washer A8,4 .....	27
60.71.381	Water connection kit, table unit G/USA .....	45
50.00.070	Water distribution hor roll guide con. ....	35
50.00.071	Water distribution hor. w/o roll guide con. ....	35
1900.0202	Water filter .....	35
50.01.523	Water volume sensor .....	35
40.03.531	Wiring interior light .....	23



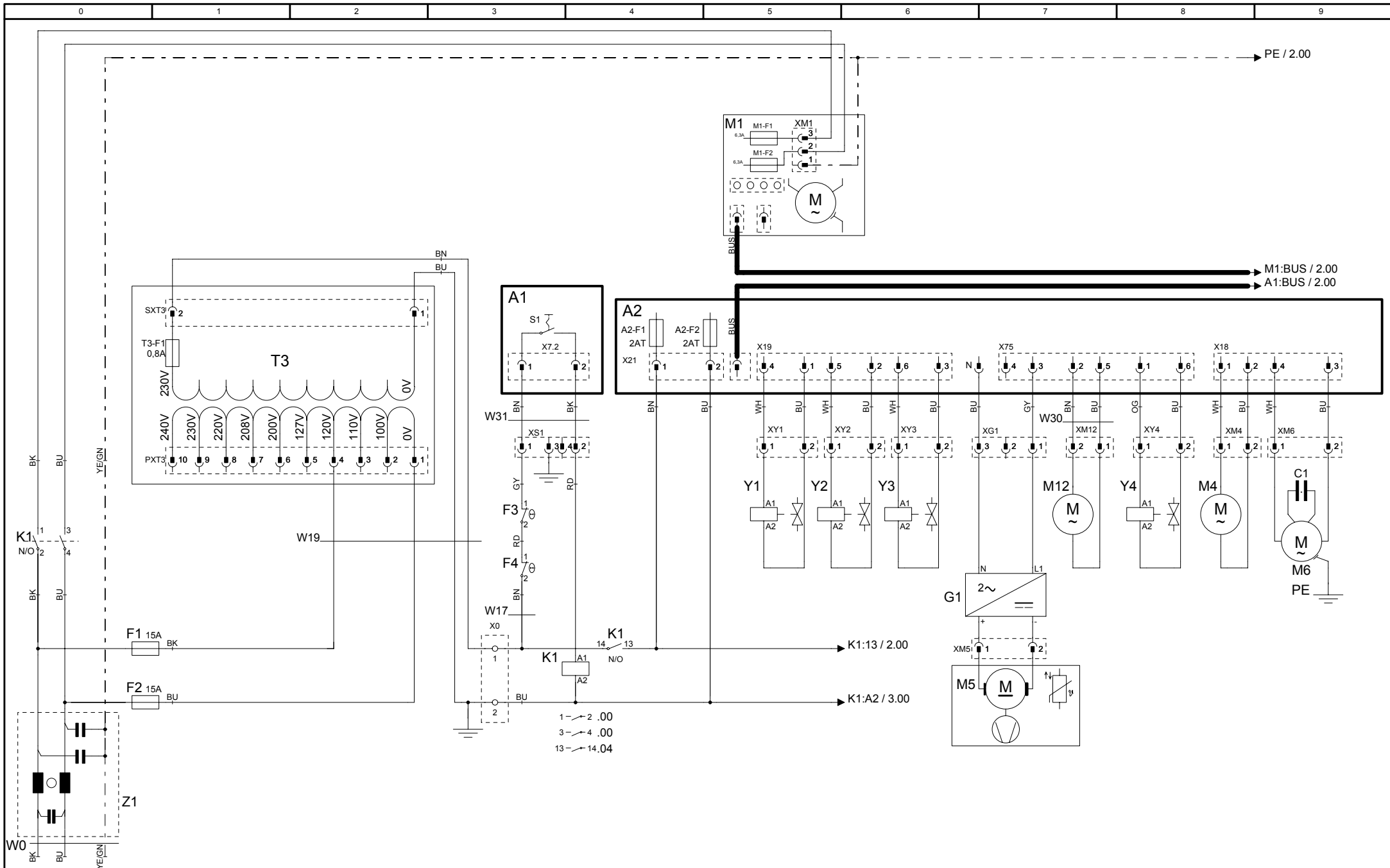




## Deckblatt Elektrische Dokumentation, Cover sheet electrical Documentation

Die Elektrische Dokumentation besteht aus: 1. diesem Deckblatt, 2. dem Schaltplan und 3. der Legende der elektrischen Bauteile  
The electric documentation contains: 1. this cover sheet, 2. the wiring diagram and 3. the bill of material (BOM)

<b>Deckblatt-Nr.</b> <b>Front Page No.</b>	75-21186	<b>Version</b>	1
<b>Typ / Type</b>	SCC WE 61G		
<b>Schaltplan</b> <b>Wiring diagram</b>	76-00451	<b>Version</b>	1
<b>Spannung (SPL)</b> <b>Voltage</b>	1NAC120 V 60 Hz		
<b>Legende</b> <b>Legend electr. components</b>	78-00758	<b>Version</b>	1
<b>Geräteserialnr.</b> <b>Serial number</b>	G61SH1102	<b>Version</b>	1102
<b>Erstellt am</b> <b>Created at</b>	Jul 5, 2011 9:35 AM	<b>Ersteller</b> <b>Creator</b>	SCHD
<b>Gültig ab</b> <b>Valid from</b>	Aug 30, 2011 3:30 PM	<b>Änderung</b> <b>Modification</b>	

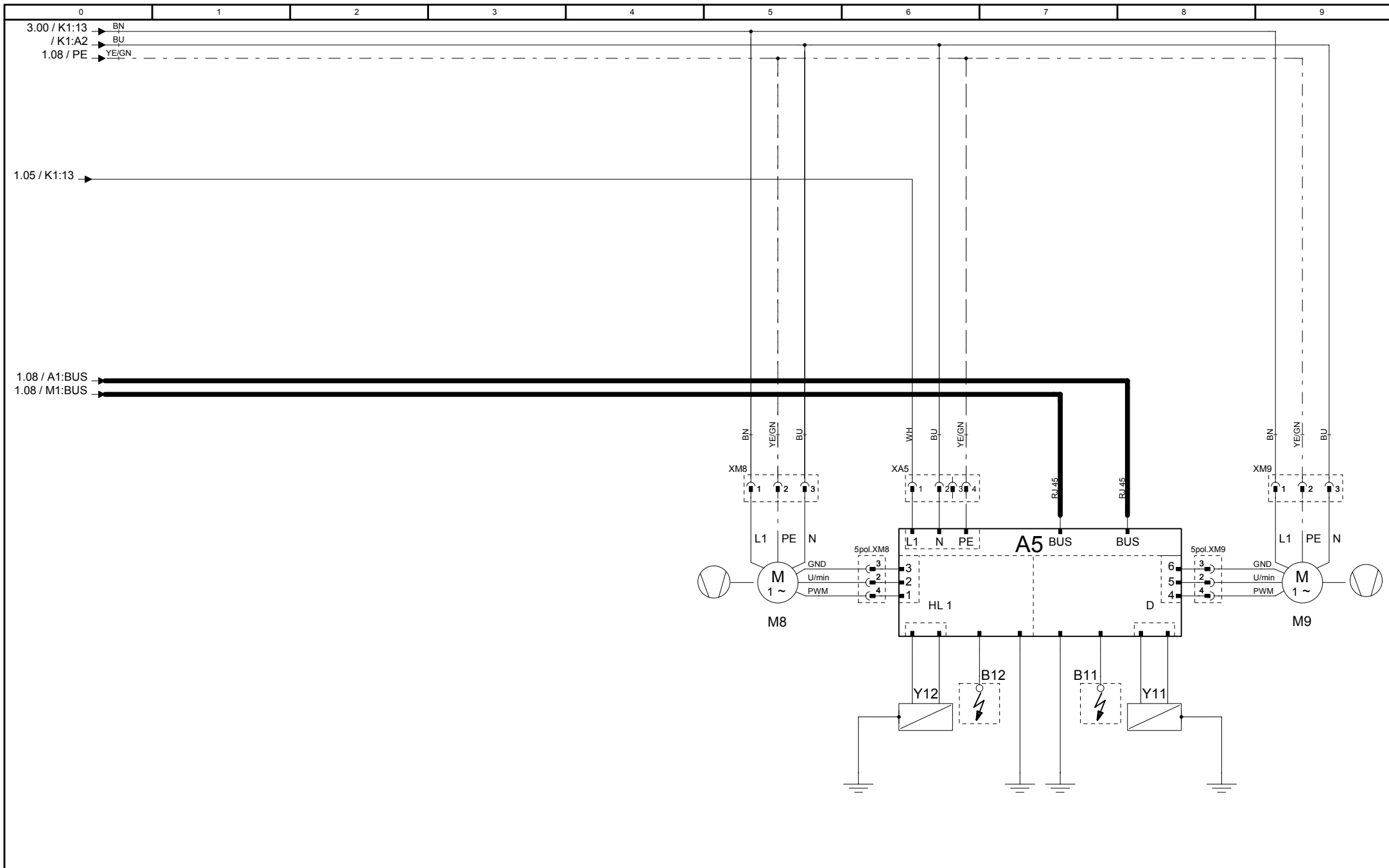


76-00451	1
Version	1

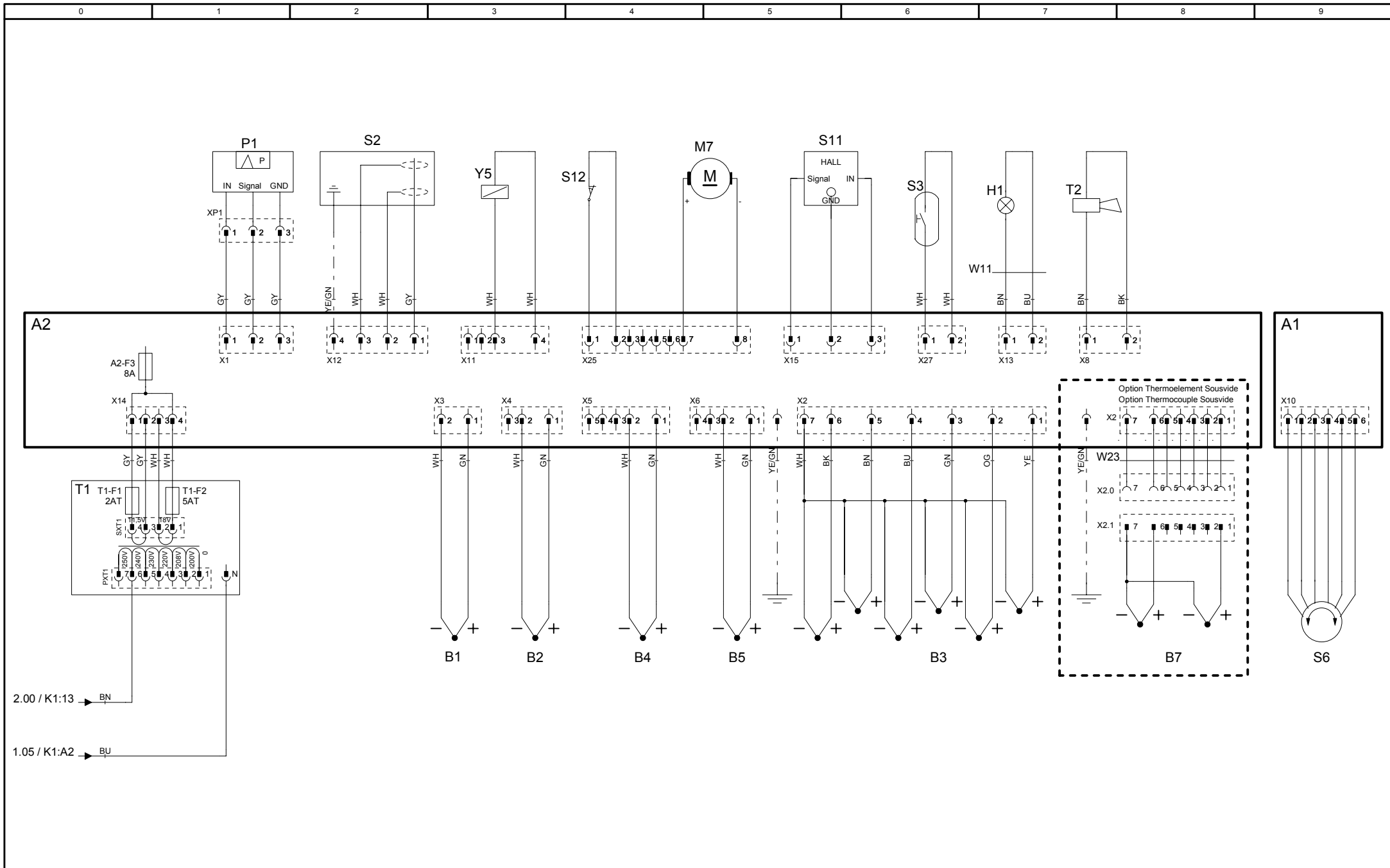
MODUL 1 Leistung/Power
---------------------------

SCC WE 61/101G-UL
1NAC120 V 60 Hz

Erstellt von	SCHD
Created by	
Datum	12.10.2011
Date	
Blatt	1
Page	



76-00451	MODUL 2 Heizung/Heating	SCC WE 61/101G-UL	Erstellt von Created by	SCHD
Version 1		1NAC120 V 60 Hz	Datum Date	12.10.2011
			Blatt Page	2



76-00451	MODUL 3 Sensoren/Sensors	SCC WE 61/101G-UL	Erstellt von SCHD Created by
Version 1		1NAC120 V 60 Hz	Datum 12.10.2011 Date
			Blatt 3 Page

**Positionsliste****Bill of material**

<b>Name Name</b>	<b>Artikelnr. Item number</b>	<b>Artikelbezeichnung</b>	<b>Item description</b>	<b>Module Modul</b>
-A1	42.00.081	Interface Platine	Interface PCB	Modul 1
-A2	42.00.160	CPU SCC WE	CPU SCC WE	Modul 1
-A2-F1/F2	3019.0120	Sicherung A2 - 2AT	Fuse A2 - 2AT	Modul 1
-A2-F3	3019.0312	Sicherung A2 - 8AT	Fuse A2 - 8AT	Modul 3
-A5	74.00.883	Feuerungsautomat Brenner 61-202	Ignition box	Modul 2
-B1	40.04.096	Thermoelement Garraum	Thermocouple interior cabinet	Modul 3
-B2	54.01.148	Thermoelement Ablöschung	Thermocouple quenching	Modul 3
-B3	40.04.097	Thermoelement Kerntemperatur	Thermocouple core sensor	Modul 3
-B4	40.00.290	Thermoelement Feuchte	Thermocouple humidity	Modul 3
-B5	40.04.108	Thermoelement Dampfgenerator	Thermocouple steam generator	Modul 3
-F1/F2	40.01.873	Steuersicherung	Control fuse	Modul 1
-F3	40.02.515	Sicherheitstemperaturbegrenzer Gas:157°C/314° F Elek.:183°C/360°F	Safety thermostat steam generator Gas: 157°C/ 314°F Elec.: 183°C/360°F	Modul 1
-F4	40.01.482	Sicherheitstemperaturbegrenzer 360°C/680°F	Safety thermostat interior cabinet 360°C/680°F	Modul 1
-G1	40.03.257	Gleichrichter Kühllüfter	DC converter cooling fan	Modul 1
-H1	3024.0201	Garraumbeleuchtung	Interior cabinet light	Modul 3
-K1	40.03.761	Hauptschütz	Main contactor	Modul 1
-M1	40.03.378	Lüftermotor	Fan motor	Modul 1
-M12	56.00.451	Pumpe Pflegemittel	Care pump	Modul 1
-M4	44.00.207	SC-Pumpe	SC-pump	Modul 1
-M5	40.03.428	Kühllüfter	Cooling fan	Modul 1
-M6	56.00.185	CleanJet Pumpe SCC WE	CleanJet pump SCC WE	Modul 1
-M7	54.00.357	Kugelhahn Ablauf	Drain valve	Modul 3

Änderungsdatum	<b>30.08.2011</b>	Name	<b>SCC WE 61G-UL</b>	Dokument-Nr.	<b>78-00758</b>
Erzeuger	<b>SCHD</b>	Spannung	<b>1NAC120 V 60 Hz</b>	Version	<b>1</b>

**Positionsliste****Bill of material**

<b>Name Name</b>	<b>Artikelnr. Item number</b>	<b>Artikelbezeichnung</b>	<b>Item description</b>	<b>Module Modul</b>
-M8	70.00.566	Gasgebläse HL	Gas blower hot air	Modul 2
-M9	70.00.566	Gasgebläse DG	Gas blower steam	Modul 2
-P1	3017.1011	Differenzdrucksensor	Differential pressure sensor	Modul 3
-S1	TEXT	Ein/Aus Schalter	ON/OFF switch	Modul 1
-S11	50.01.523	CDS-Sensor	CDS-sensor	Modul 3
-S2	44.00.253	Niveauelektrode	Water level electrode	Modul 3
-S3	40.00.335	Türkontaktschalter	Door contact switch	Modul 3
-S6	40.00.404	Zentrales Einstellrad	Central dial	Modul 3
-T1	40.03.348	Steuertrafo	Control transformer	Modul 3
-T1-F1	3019.0120	Sicherung Steuertrafo T1 2AT	Fuse control transformer T1 2AT	Modul 3
-T1-F2	3019.0126	Sicherung Steuertrafo T1 5AT	Fuse control transformer T1 5AT	Modul 3
-T2	40.04.034	SCC WE: Lautsprecher / CMP: Alarmsummer	SCC WE: Speaker / CMP: Buzzer	Modul 3
-T3	40.00.279	Sondertrafo	Special transformer	Modul 1
-T3-F1	3019.0124	Sicherung Sondertrafo T3	Fuse special transformer	Modul 1
-W0	40.01.597	Anschlusskabel	Cable: power supply	Modul 1
-W11	40.03.531	Kabel: Garraumbeleuchtung	Cable: interior cabinet light	Modul 3
-W17	40.03.452	Kabel: Steuerstamm	Cable: control harness	Modul 1
-W19	40.04.181	Kabel: Zusatzstamm Gas	Cable: power supply gas	Modul 1
-W30	40.02.965	Kabel: Adapterkabel Pumpe Pflegemittel 61-102	Cable: adapter care pump 61-102	Modul 1
-W31	40.03.467	Kabel: Ein/Aus Schalter	Cable: ON/OFF switch	Modul 1
-Y1/Y3/Y4	50.01.050	Y1: Magnetventil Füllen / SCC WE Y3: Beschwadung / Y4: Pflegemittel	Y1: Solenoid valve filling / SCC WE Y3: moistening / Y4: care	Modul 1
-Y11	70.00.576	Gasventil D	Gas valve steam	Modul 2

Änderungsdatum	<b>30.08.2011</b>	Name	<b>SCC WE 61G-UL</b>	Dokument-Nr.	<b>78-00758</b>
Erzeuger	<b>SCHD</b>	Spannung	<b>1NAC120 V 60 Hz</b>	Version	<b>1</b>

## Positionsliste

### Bill of material

<b>Name Name</b>	<b>Artikelnr. Item number</b>	<b>Artikelbezeichnung</b>	<b>Item description</b>	<b>Module Modul</b>
-Y12/Y13	70.00.577	Y12: Gasventil HL1 / Y13: Gasventil HL2 201/ 202G	Y12: Gas valve hot air / Y13: Gas valve hot air (bottom)	Modul 2
-Y2	50.01.146	Magnetventil Ablöschung	Solenoid valve quenching	Modul 1
-Y5	22.00.725	Klimaventil	Clima valve	Modul 3
-Z1	40.01.483	Entstörfilter/Varistor	Electronic noise filter	Modul 1

Änderungsdatum	<b>30.08.2011</b>	Name	<b>SCC WE 61G-UL</b>	Dokument-Nr.	<b>78-00758</b>
Erzeuger	<b>SCHD</b>	Spannung	<b>1NAC120 V 60 Hz</b>	Version	<b>1</b>