



Service part catalogue

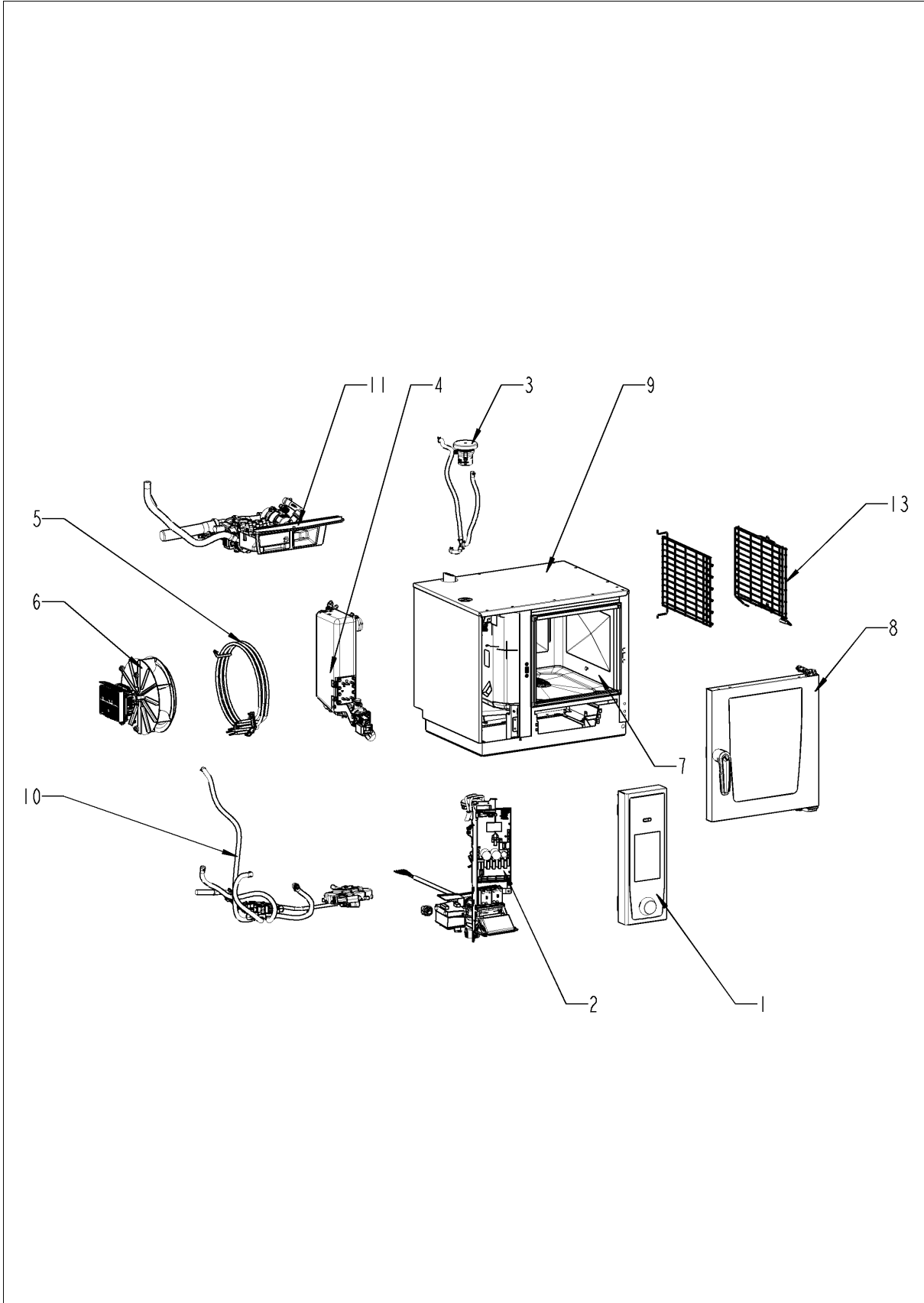
SelfCookingCenter® ab 09/2016

SelfCooking Center XS - 6 x 2/3 GastronormE

E60SI1607



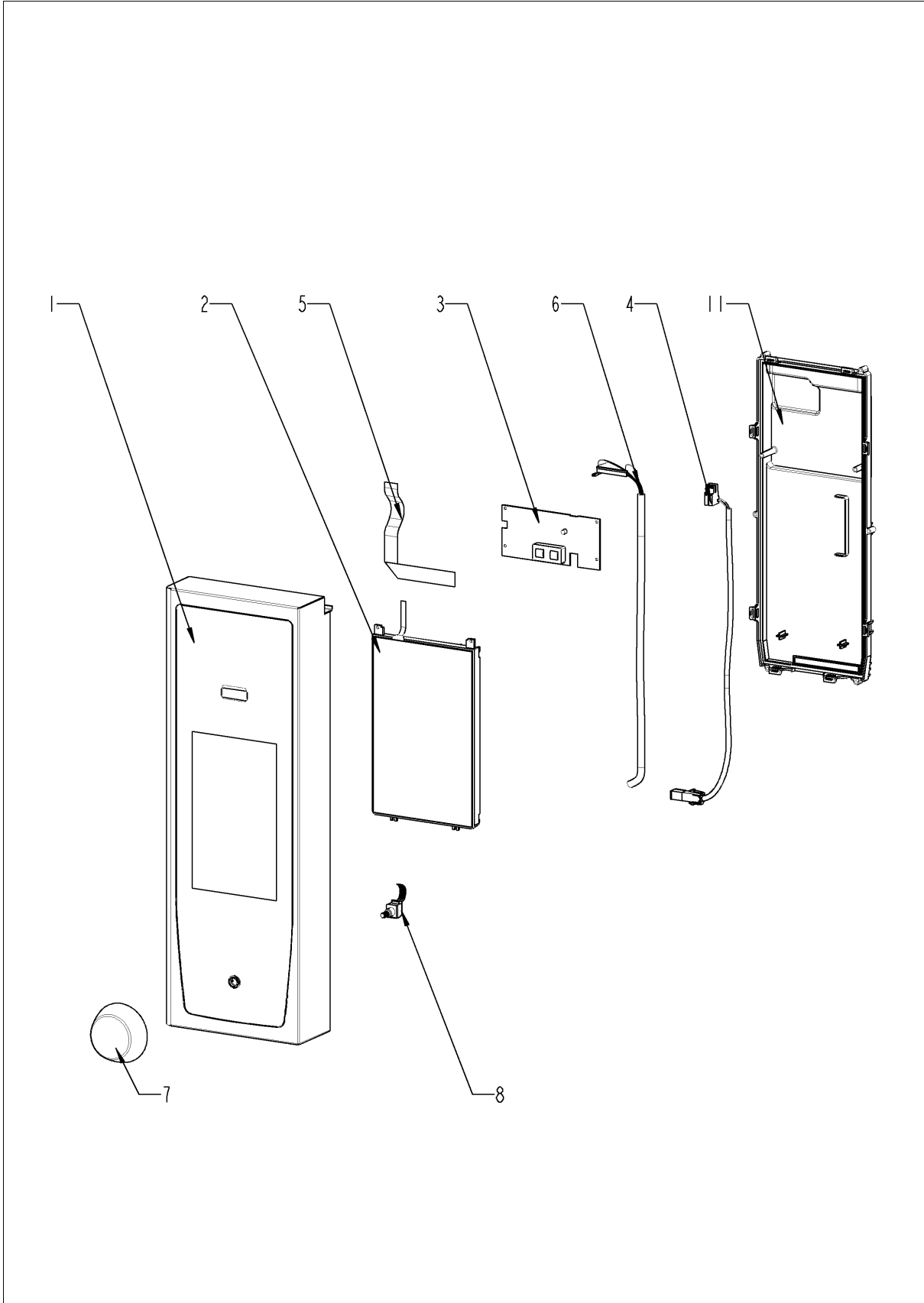
Overview



Overview

Pos.	Assembly	Page
1	Control panel	4
2	Electrical installation	6
3	ClimaPlus	10
4	Steam generator	12
5	Hot air heating	16
6	Motor and fan wheel	18
7	Interior cabinet	20
8	Door	24
9	Exterior cabinet	28
10	Water	32
11	CleanJet + Care	34
13	Standard accessory	36

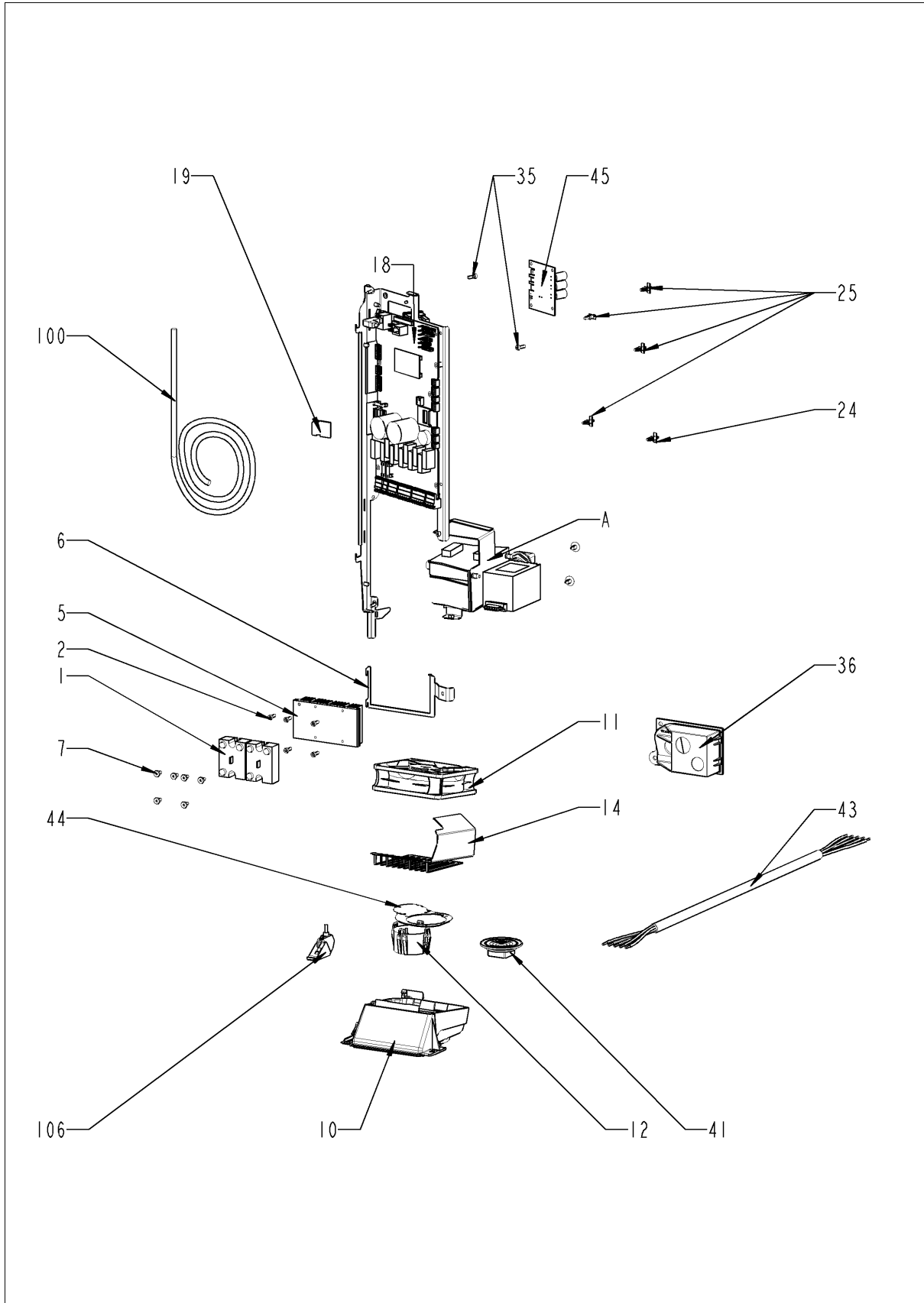
Control panel



Control panel

Pos.	Part no.	Description	Qty.
2	42.00.112	Control pcb *TFT*	1
3	42.00.081	MMI pcb	1
4	40.05.055	Cable On-Off switch MMI	1
5	40.03.515	Cable MMI - TFT	1
6	40.03.516	Cable MMI - CPU	1
7	16.02.062	Dial f. pulse generator	1
8	40.00.404	Pulse generator	1
11	16.02.889	Cover f. control pcb w. gasket	1

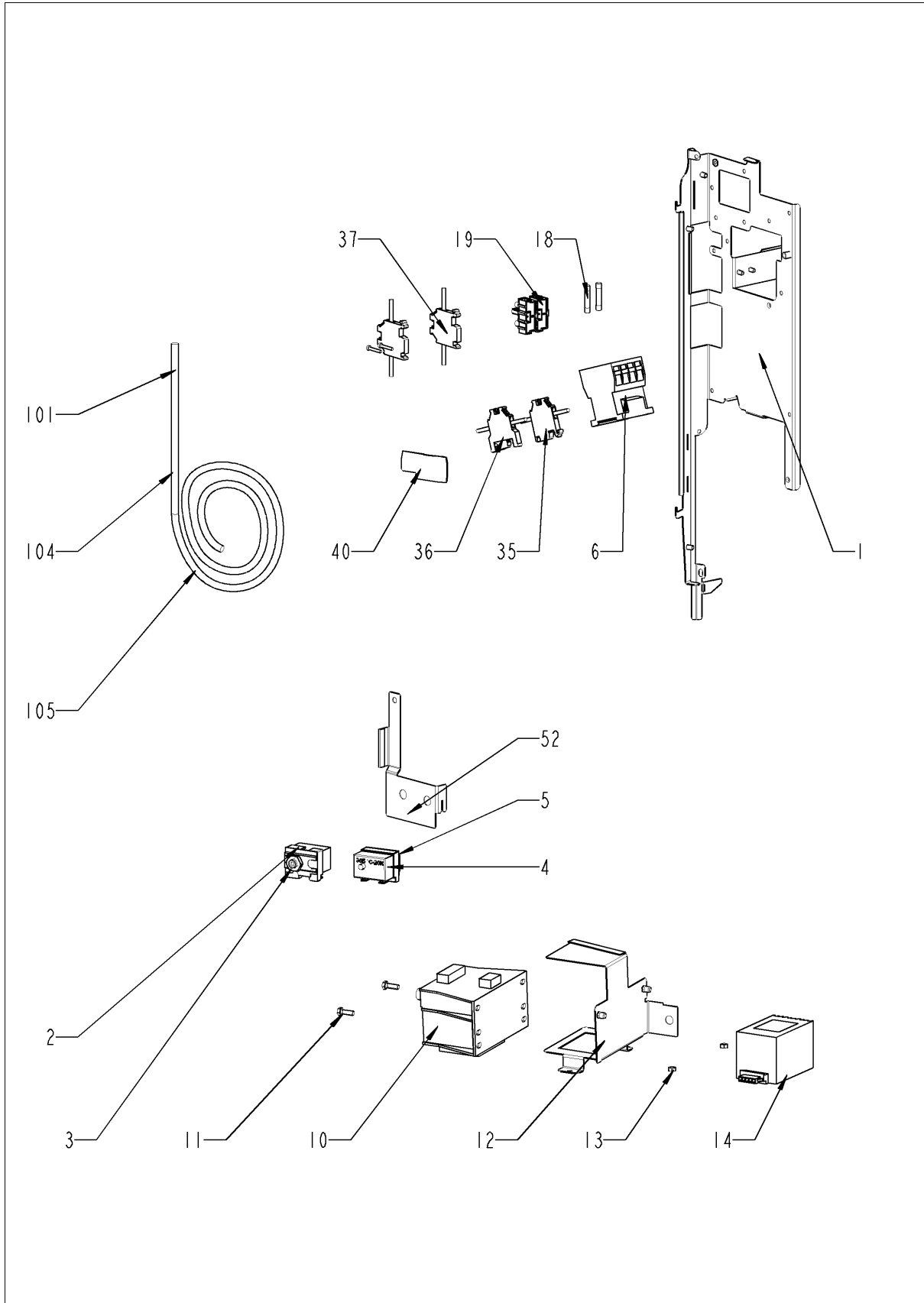
Electrical installation



Electrical installation

Pos.	Part no.	Description	Qty.
1	40.01.589	Solid state relais	2
2	10.00.061	Pan head screw Torx T20 M4x12	5
5	40.04.795	Heat sink small SSR	1
6	40.05.037	Mounting device heat sink SSR	1
7	10.01.266	Pan head screw Torx T20 10,5mm	6
10	40.05.016	Air shaft cpl.	1
11	40.04.115	Cooling fan	1
12	40.03.257	Converter 230VAC 24VDC	1
14	40.04.811	Cover for air outlet	1
18	42.00.260	Control pcb	1
19	42.00.128	SD-memory card 4GB	1
24	40.03.756	Fixing clip f. pcb	1
25	40.03.533	Fixing clip f. pcb	4
27	40.04.180	Energy_opt-Terminal 4poles	1
35	10.00.061	Pan head screw Torx T20 M4x12	2
36	40.05.419	Cable connection M25x1.5	1
37	40.05.420	Fixing nut for cable gland M25x1.5 MS	1
41	40.02.675	Loudspeaker	1
43	40.05.268	Power supply cable 4xAWG10 SOOW+15-30P	1
44	40.04.810	Mounting device for cooling fan	1
45	42.00.223	Power supply for standard interior light	1
100	40.03.995	Bus cable 0.85m	1
106	40.04.906	USB socket with cable	1
A		Electrical installation	1

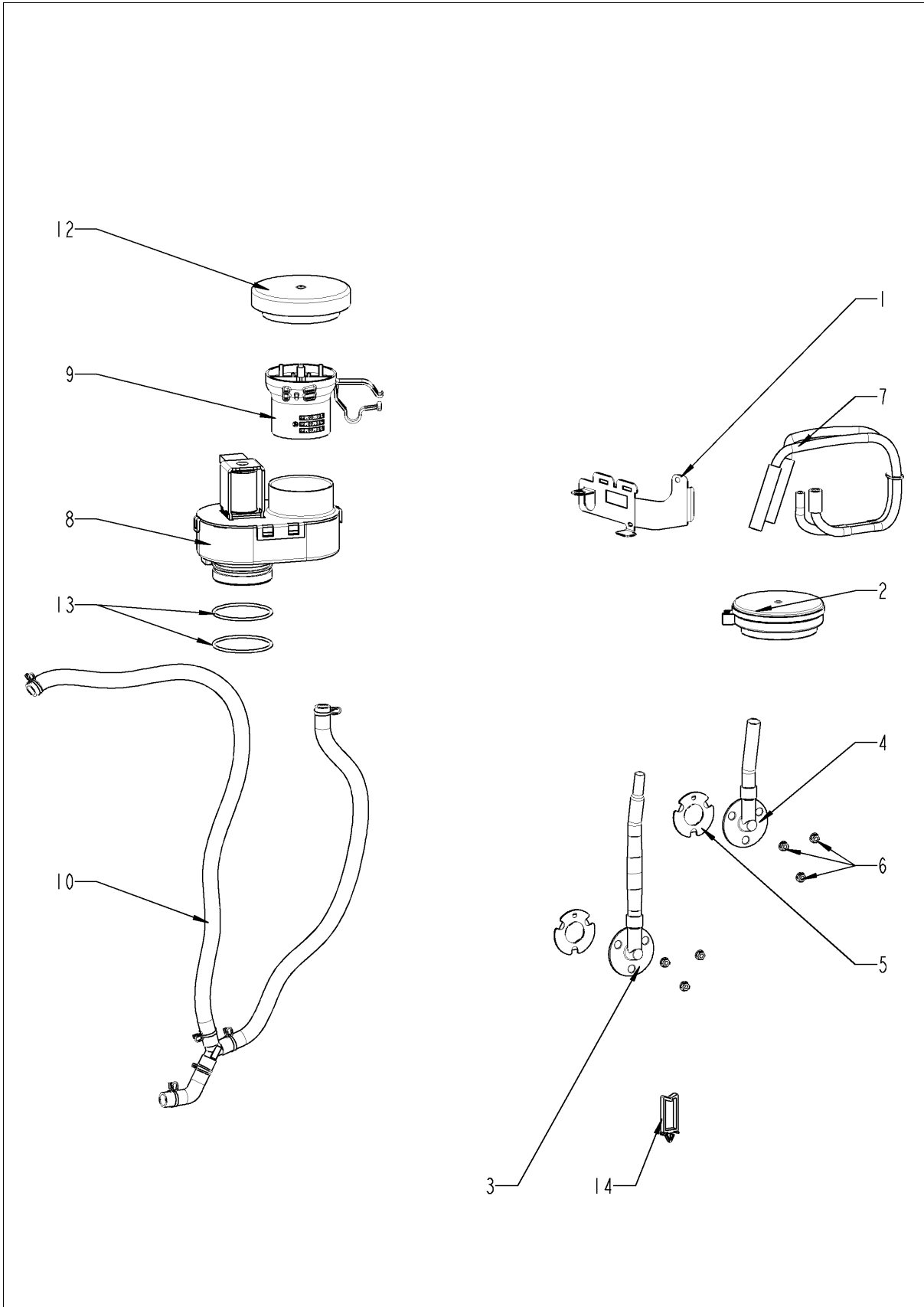
Electrical installation



Electrical installation

Pos.	Part no.	Description	Qty.
1	40.04.908	Contacteur assembly	1
2	40.01.329	Dry up protector 183°C	1
3	3014.0327	Hex nut M10x1,0	1
4	40.01.482	Safety temperature limiter 365°C	1
5	3014.0327	Hex nut M10x1,0	1
6	40.05.269	Contacteur B&J K3-10NDR10 190R B01B01TX	1
10	40.03.348	Control transformer T1	1
11	1008.0750	Hex screw M5x16	2
12	40.04.910	Mounting support transformer	1
13	1105.0120	Hex nut M5	2
14	40.02.425	Varistor	1
18	4001.0224	Fuse 6.35x32mm	2
18	40.01.588	Fuse SC-8A 10x38	2
19	40.02.512	Fuse holder 2x6.3A	1
19	40.01.487	Fuse holder 2pol	1
22	40.04.122	Cover for Fuse *UL*	2
36	40.03.743	Earth terminal WK4 SL/U	1
37	40.05.261	Terminal block WTP 2,5/4 D1/2 grey	1
40	40.05.262	End cover APFN 2,5 D1/2/35	1
52	40.04.834	Fixing device for safety temperature limiter	1
100	40.03.981	Change-over switch with cable USA	1
101	40.04.331	Adaptor cable f. Ball valve drain	1
104	40.05.357	Cable control harness	1
105	40.04.838	Cable control harness *below*	1

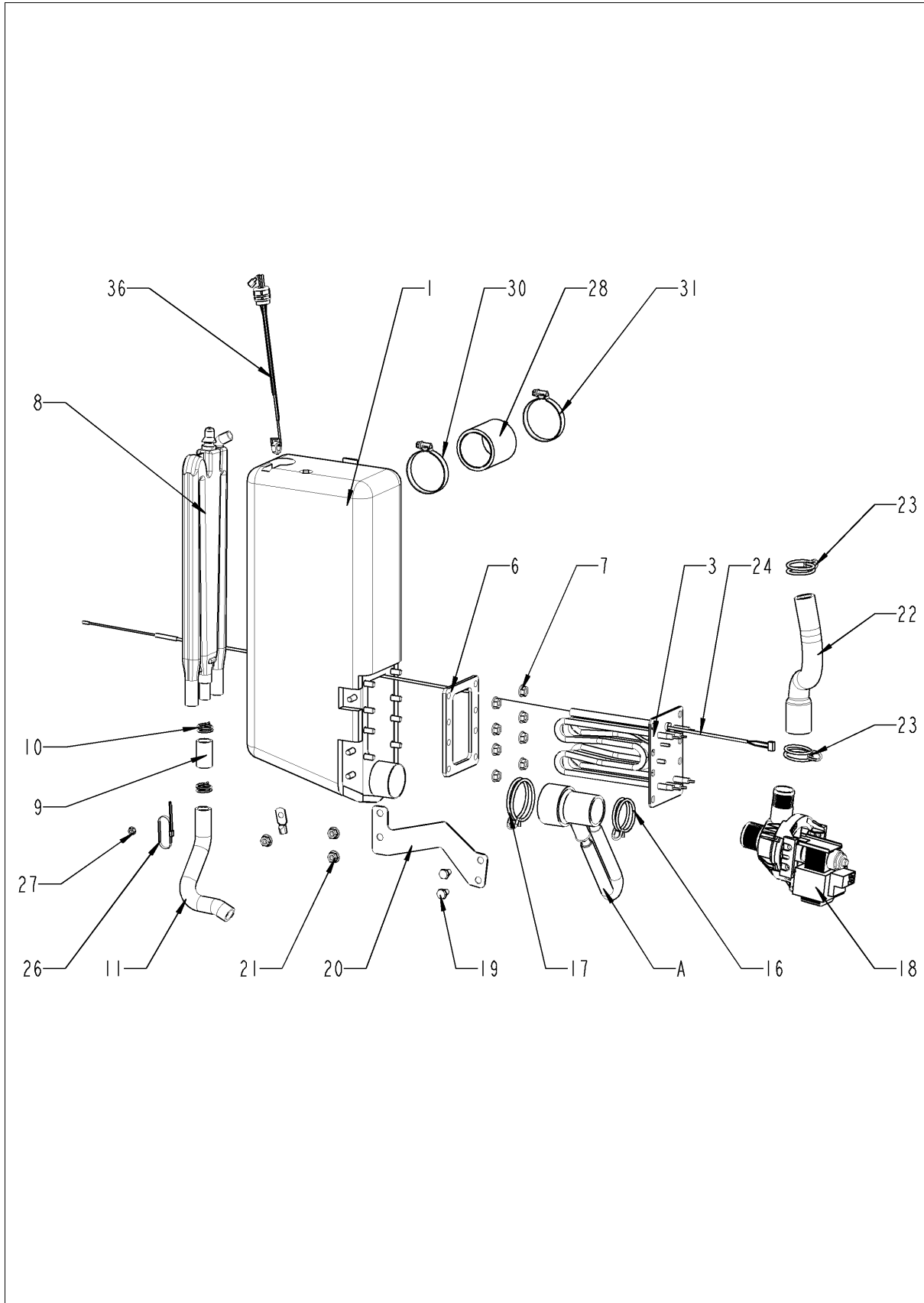
ClimaPlus



ClimaPlus

Pos.	Part no.	Description	Qty.
1	40.04.835	Mounting device f. pressure sensor	1
2	3017.1011	Pressure sensor for humidity control Huba 401	1
3	22.01.105	Inner humidity meas. Piece	1
4	22.01.107	Outer humidity meas. Piece	1
5	22.00.881	Gasket f. hum. meas. Pipe	2
6	10.00.916	Hex nut M4 w. locking	6
7	22.01.116	Hose set f. humidity control	1
8	22.00.725	Humidity control cpl.	1
9	22.00.914	Air inlet pipe	1
10	22.01.179	Hose set for ventilation	1
12	22.01.112	Vent cover	1
13	22.00.837	O-ring for humidity control	2
14	10.00.111	Cable clip long	2

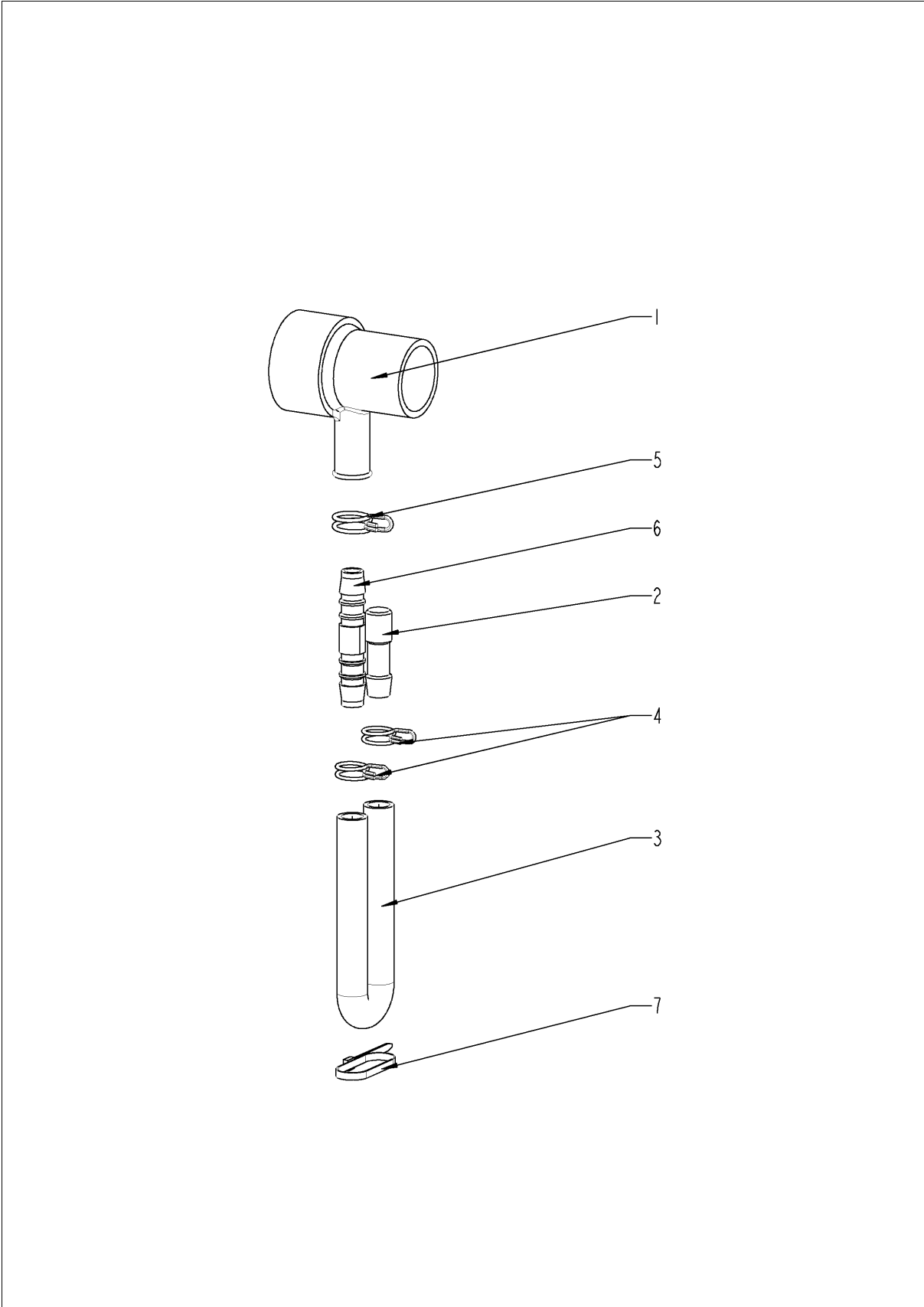
Steam generator



Steam generator

Pos.	Part no.	Description	Qty.
1	44.01.434	Steam generator insolated	1
3	44.01.489	Heating element	1
6	44.01.433	Gasket f. heating element	1
7	10.00.709	Hex nut M6 w. locking	8
8	44.01.546	Safety device / water supply for steam generator	1
9	44.01.495	Bushing for filling steam generator	1
10	2066.0530	Hose clamp ø16.4mm	2
11	44.01.569	Drain hose steam generator	1
16	2066.0519	Hose clamp Ø35,6mm	1
17	2066.0526	Hose clamp ø46mm	1
18	44.00.207	Emptying pump	1
19	1006.0762	Hex screw M6x10	2
20	44.01.445	Fixing device f. pump steam generator	1
21	10.00.709	Hex nut M6 w. locking	2
22	44.01.470	Drain hose steam generator	1
23	2066.0518	Hose clamp 30mm	1
24	40.05.256	Thermocouple steam generator *B5*	1
26	10.00.414	Cable strap black 120°	1
27	10.00.916	Hex nut M4 w. locking	1
28	44.01.463	Steam hose Ø40x50mm	1
30	2066.0504	Hose clamp 40-60mm	1
31	2066.0507	Hose clamp 32-50mm	1
36	44.01.581	Filling level electrode 170 mm	1
A	8354.1320	Pump connection spout cpl.	1

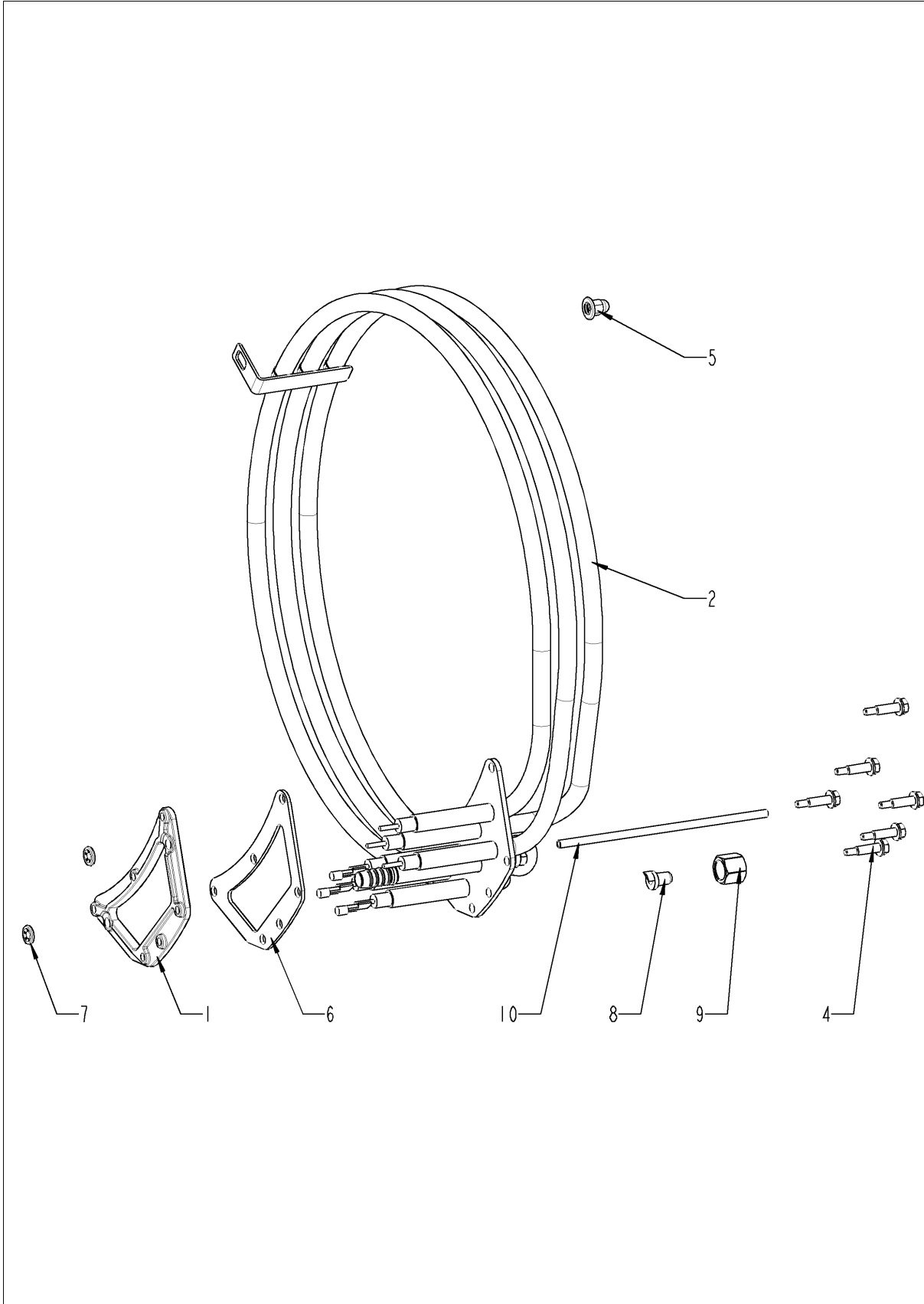
Pump connection spout



Pump connection spout

Pos.	Part no.	Description	Qty.
1	2118.1000	Pump connection spout	1
2	2120.1259	Stop plug 10mm	1
3	2110.1008	Silicon hose ø10x2mm	1
4	2066.0527	Hose clamp ø14mm	2
5	2066.0530	Hose clamp ø16.4mm	1
6	2062.0331	Junction pressure hose GS 10	1
7	4005.0101	Tie rap 145 mm	1

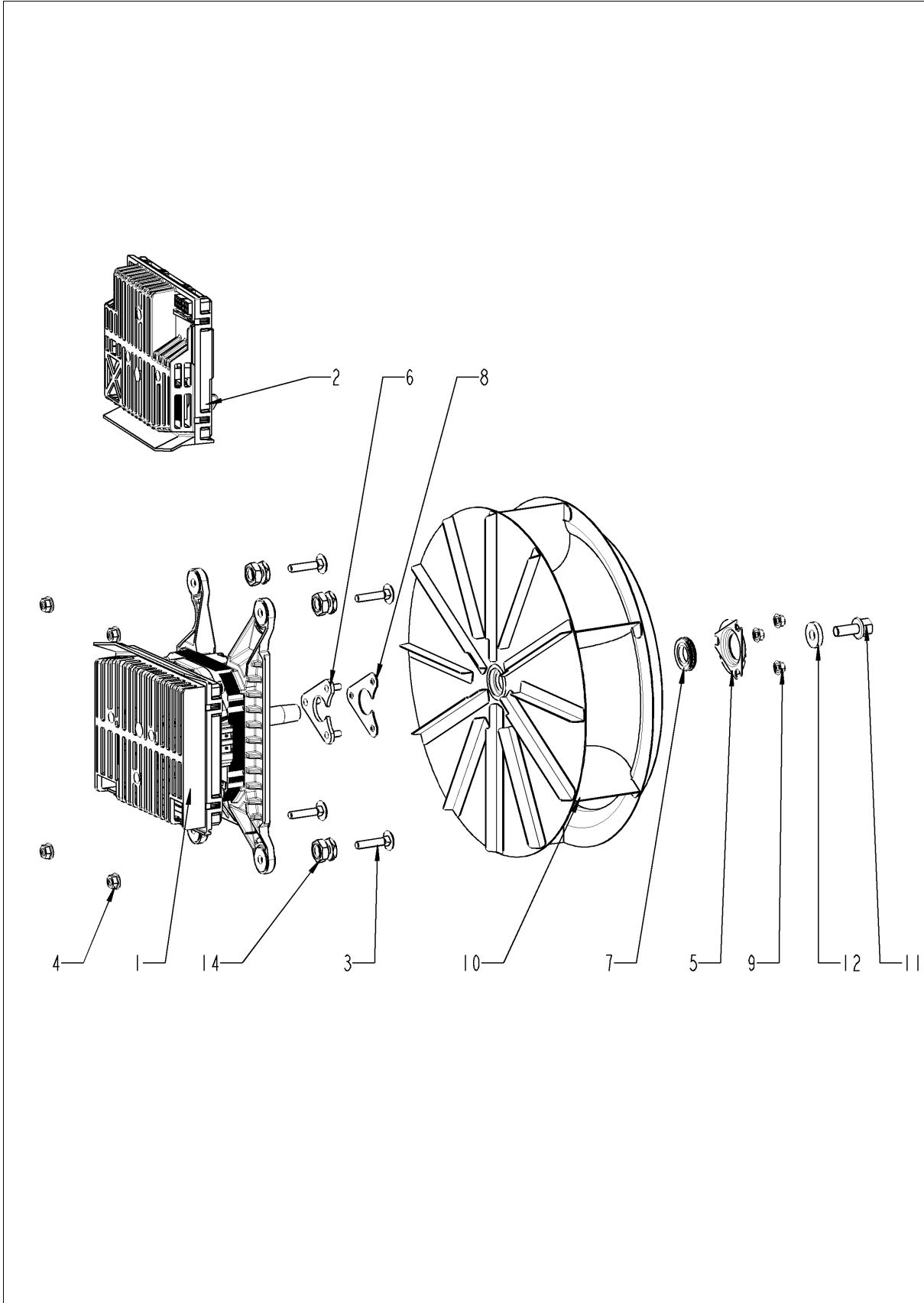
Hot air heating



Hot air heating

Pos.	Part no.	Description	Qty.
1	46.00.171	Mating flange f. heating assembly	1
2	46.00.203	Heating assembly	1
4	10.00.109	Hex screw M5x23	6
5	10.01.076	Cap nut M5*A2	1
6	46.00.170	Gasket f. heating assembly	1
7	1107.0103	Star lock ø3	2
8	50.00.844	Nozzle f. moistening	1
9	50.00.846	Union nut M12x13.2 N	1
10	50.01.722	Plastic pipe 4,5x0,75x136mm	1

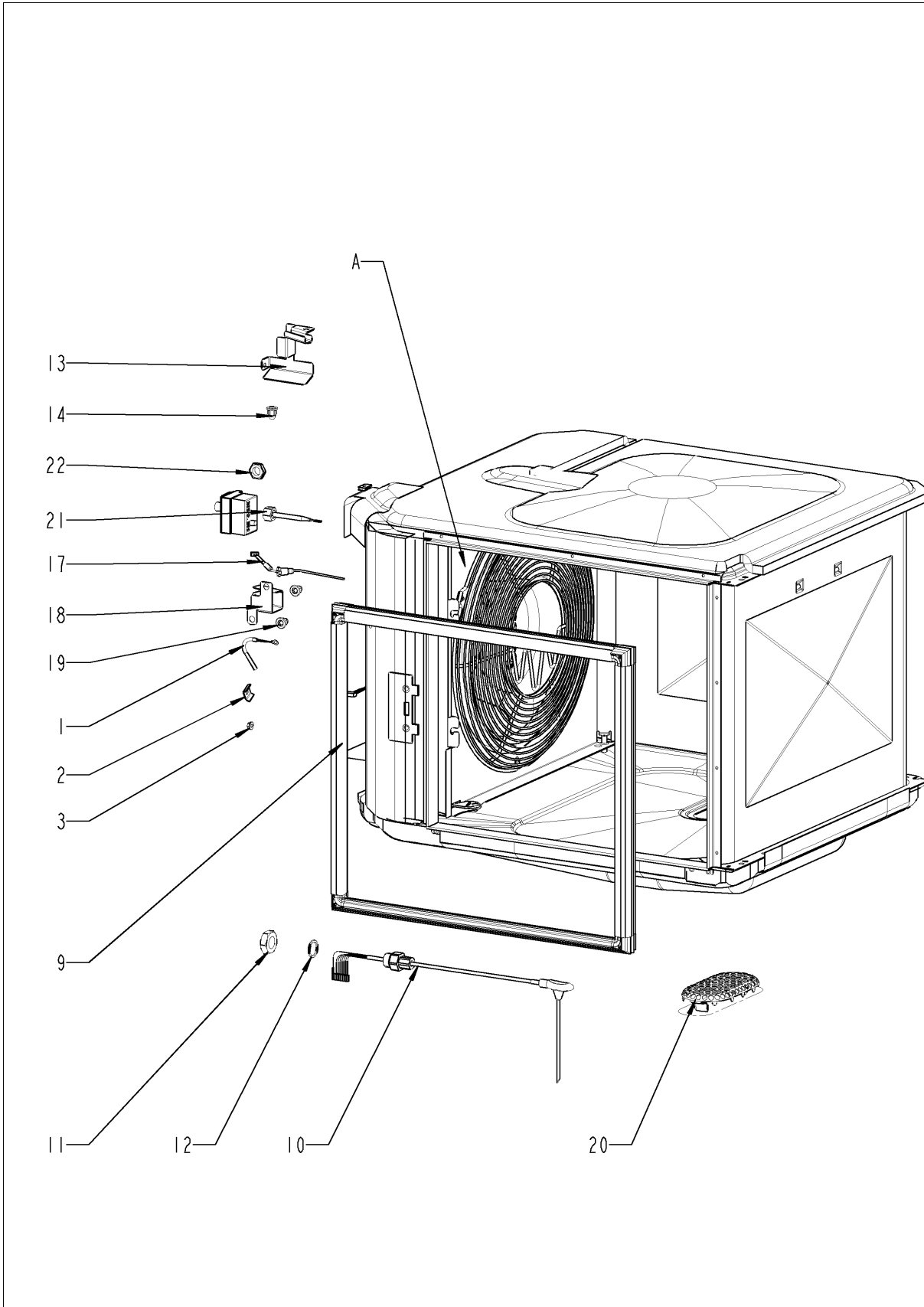
Motor and fan wheel



Motor and fan wheel

Pos.	Part no.	Description	Qty.
1	40.05.376	Fan motor	1
2	42.00.265	Motor control for fan motor	1
3	10.01.049	Square necked mushroom head bolt 6x30	4
4	10.01.490	Hex nut M6	4
5	22.00.721	Flange f. motor shaft gasket	1
6	22.00.722	Mounting support f. gasket flange	1
7	22.00.985	Motor shaft gasket D15	1
8	22.01.196	Graphit seal for gasket flange	1
9	10.01.065	Hex nut M5	3
10	22.01.062	Fan wheel	1
11	10.00.936	Hex screw M8x20	1
12	1308.0162	Washer A8,4	1

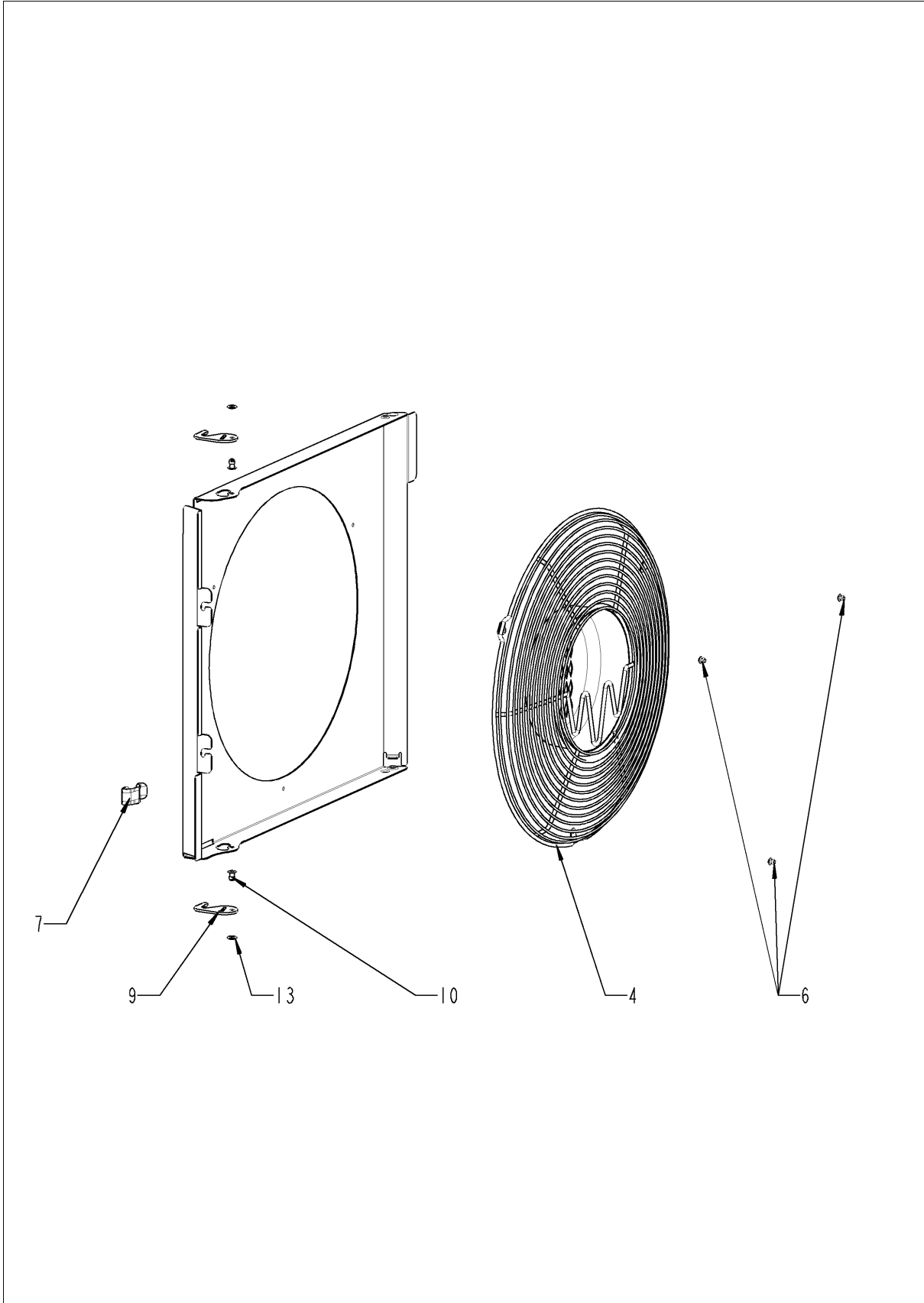
Interior cabinet



Interior cabinet

Pos.	Part no.	Description	Qty.
1	40.04.907	Thermocouple humidity *B4*	1
2	10.00.087	Clamp strap f. sensor	1
3	10.00.916	Hex nut M4 w. locking	1
9	20.02.549	Door gasket	1
10	40.05.254	Meat probe sensor	1
11	10.00.612	Hex nut M16 flat	1
12	1315.0104	Copper washer 16x20x1,5	1
13	40.04.844	Screen for safety temperature limiter	1
14	10.01.076	Cap nut M5*A2	2
17	40.04.869	Thermocouple interior cabinet B1	1
18	40.03.782	Screen interior cabinet sensor	1
19	10.01.076	Cap nut M5*A2	2
20	20.02.515	Outlet sieve	1
21	40.01.482	Safety temperature limiter 365°C	1
22	3014.0327	Hex nut M10x1,0	1
A	22.01.228	Air baffle	1

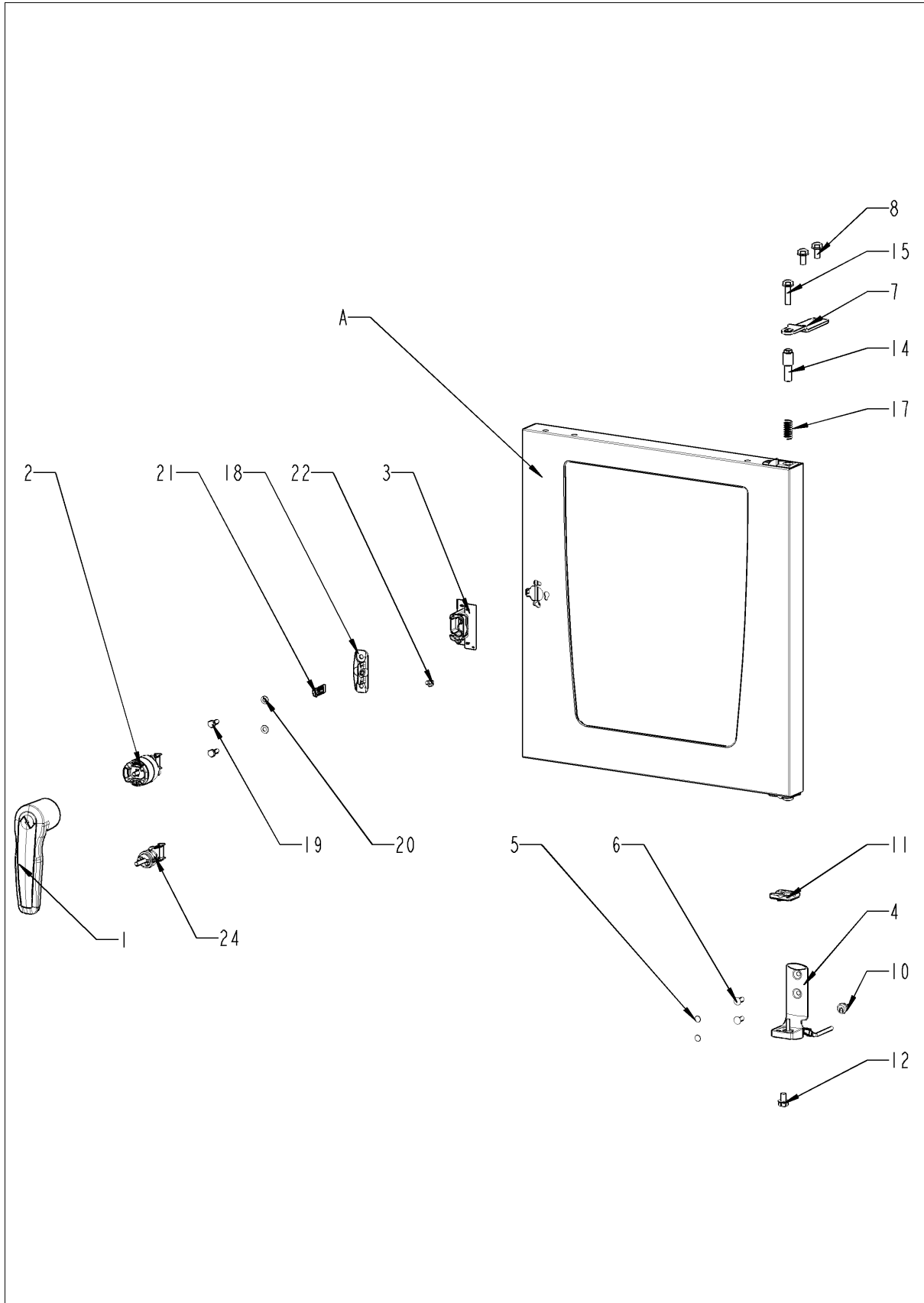
Air baffle



Air baffle

Pos.	Part no.	Description	Qty.
4	22.01.082	Hand protection	1
6	10.00.515	Rivet 3,2x5 A4	3
7	40.03.780	Fixing clip core temp. cable	1
9	2760.1370	Latch hook for air baffle	2
10	1604.0167	Rivet 4x10	2
13	10.00.744	Washer A4,3 *A4	2

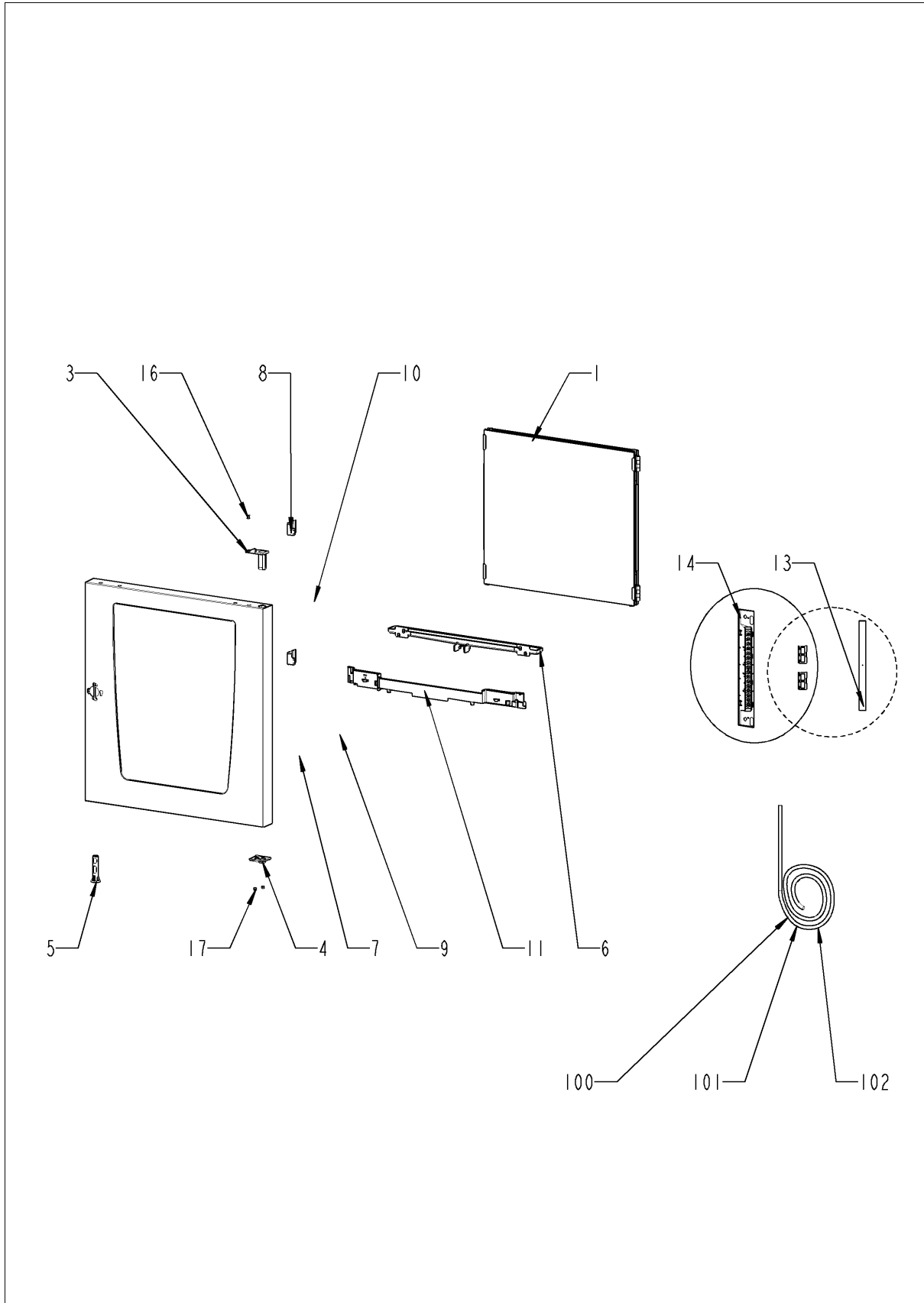
Door



Door

Pos.	Part no.	Description	Qty.
1	24.02.937	Door handle	1
2	24.03.041	Door lock with spring U-bolt	1
3	24.03.184	Lock cover	1
4	24.03.461	Door mounting support bottom	1
5	10.00.090	Cap f. Torx T30	2
6	1006.1962	Countersunk screw Torx M6x16	2
7	24.03.399	Door mounting support top	1
8	1008.0768	Ornamental screw M8x16	3
10	10.01.474	Strain relief clamp	1
11	24.02.951	Door bolt	1
12	10.01.527	Hex screw M8x12	1
14	24.03.040	Door bolt	1
15	1008.0769	Ornamental screw M8x30	1
17	2001.0109	Compression spring	1
18	24.02.958	Holding bracket f. door catch	1
19	1006.0760	Hex screw M6x16	2
20	1306.0120	Washer A6,4	2
21	24.02.959	Door catch	1
22	24.02.960	Interlocking tooth screw M5x6	1
24	24.03.288	Spring U-bolt for door lock	1
A	24.02.970	Door	1

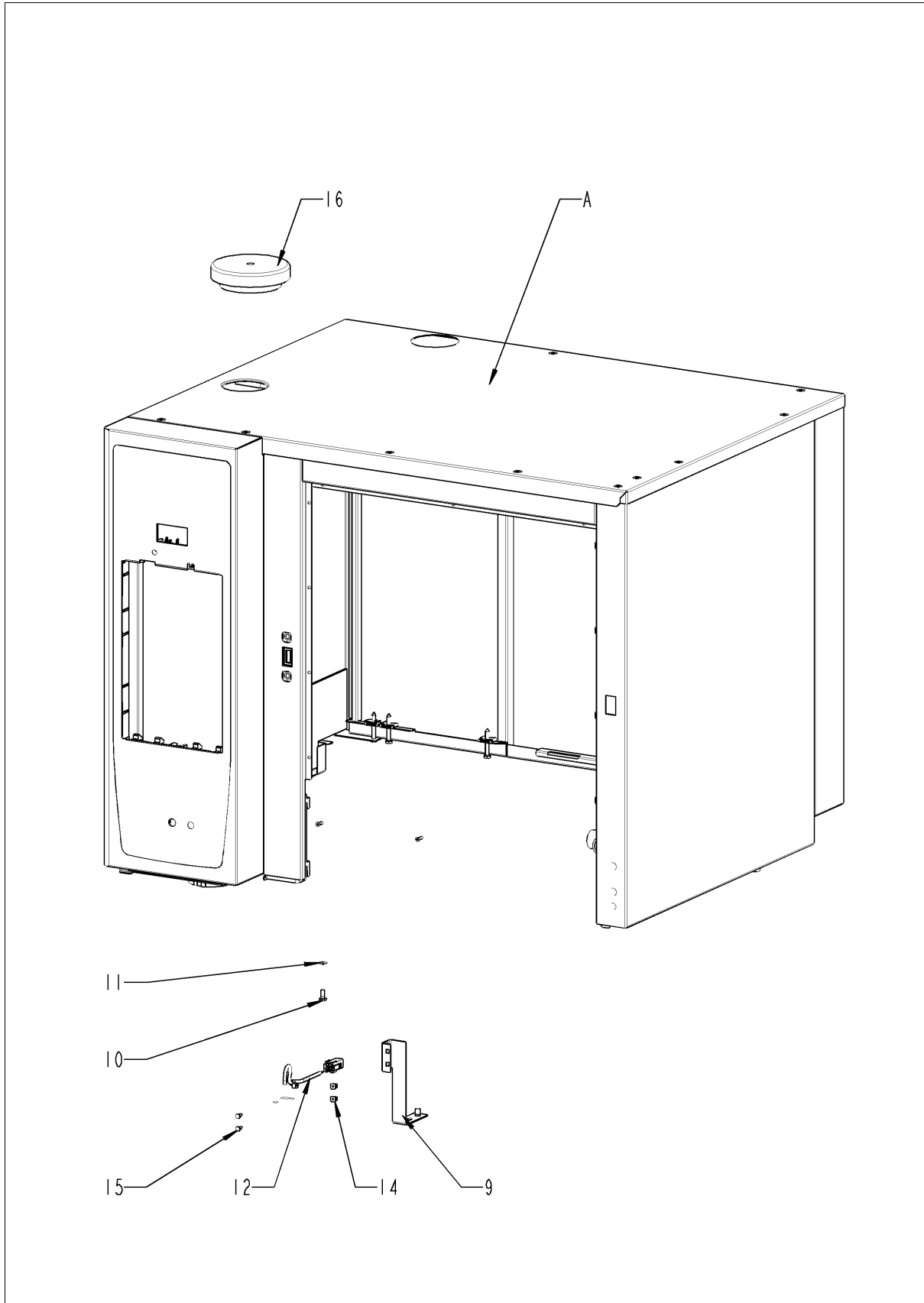
Door



Door

Pos.	Part no.	Description	Qty.
1	87.01.416	Glass pane bundle	1
3	24.03.052	Sleeve for door bolt top	1
4	24.02.966	Door setting bolt	1
5	24.00.502	Fixing device f. magnet with magnet	1
6	24.03.021	Door drip collector	1
7	24.03.056	Slide bush for door	1
8	24.03.060	Fixing bracket for interior glass pane	2
9	24.03.057	Abrasion protection for glide socket	1
10	24.03.062	Cover cap for door	1
11	24.03.467	Cable shaft for door	1
13	87.01.368	LED bar, left/right	2
14	87.01.365	LED optics	2
16	10.00.890	Rivet 4x10	1
17	10.00.904	Rivet B4x8	2
100	40.05.295	Cable, interior light W40	1
101	40.05.310	Cable, interior light W41	1
102	40.05.311	Cable, interior light W42	1

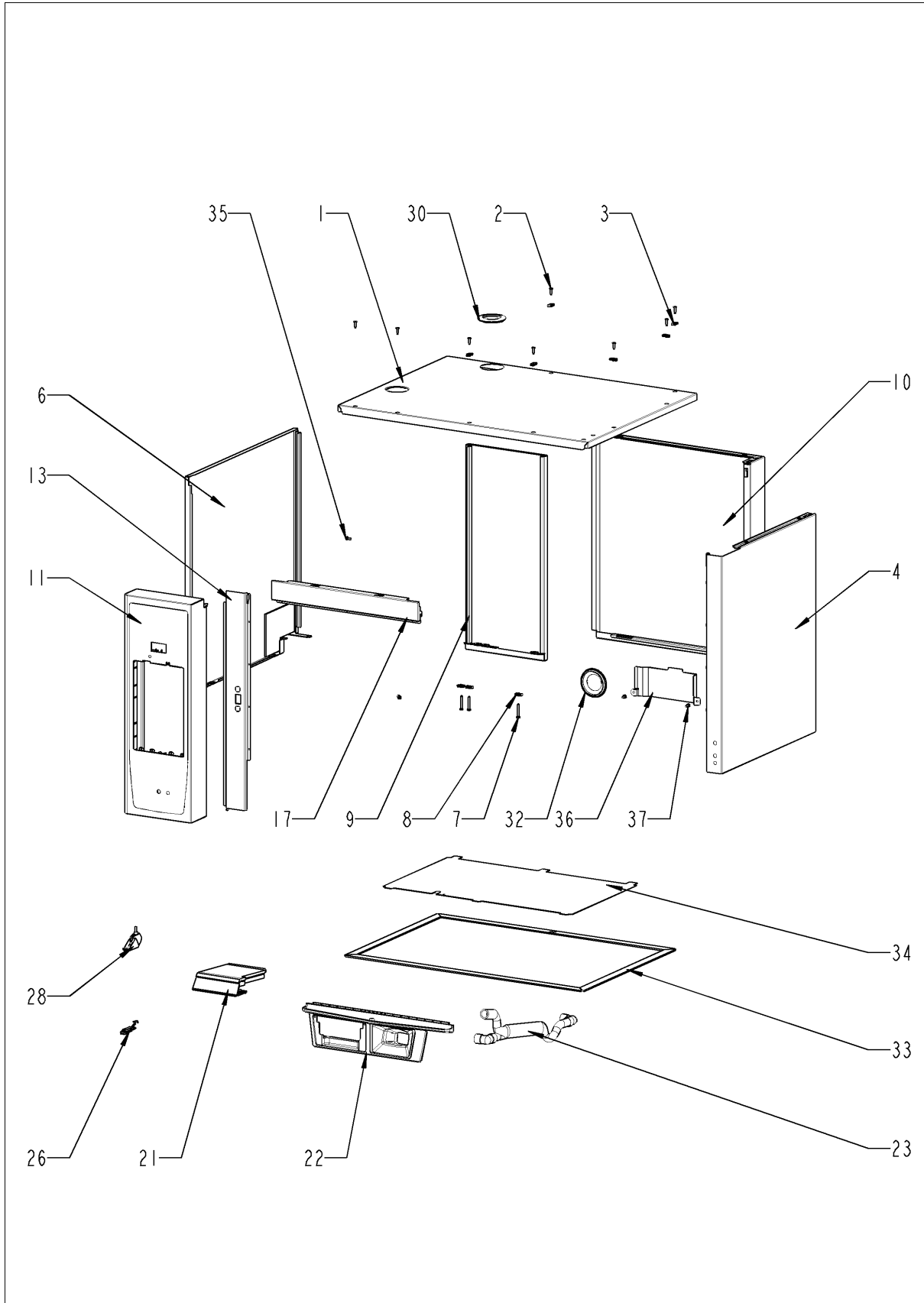
Exterior cabinet



Exterior cabinet

Pos.	Part no.	Description	Qty.
9	12.01.871	Bracket for door contact switch	1
10	1004.0666	Hex screw M4x10	1
11	1304.0160	Washer A4,3	1
12	40.04.342	Door switch 0.45m	1
14	1103.0600	PVC plug in nut for metal screw 2.9mm	2
15	1003.2160	Hex self tapping screw 2,9x9,5	1
16	22.01.112	Vent cover	1
A		Exterior cabinet	1

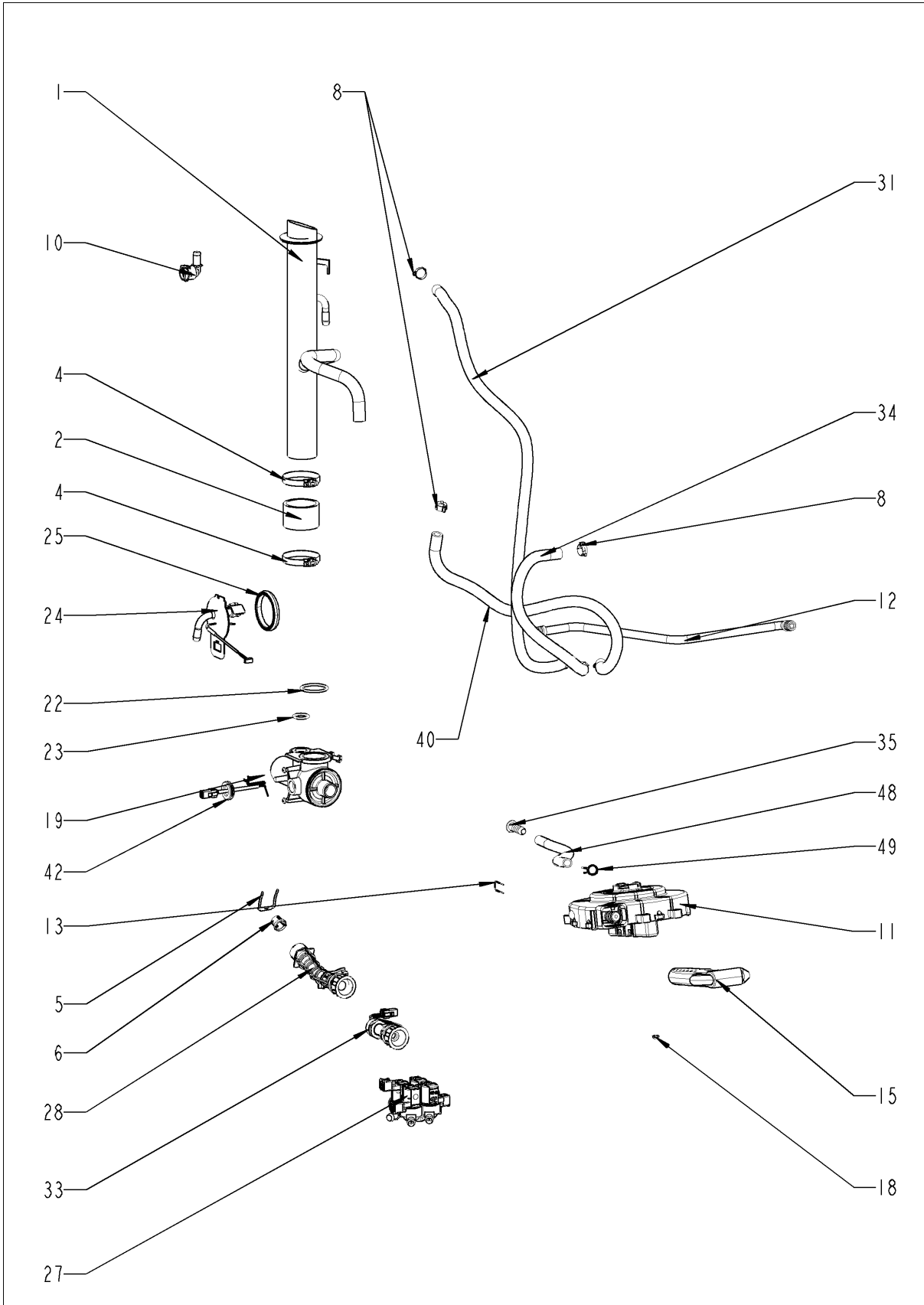
Exterior cabinet



Exterior cabinet

Pos.	Part no.	Description	Qty.
1	16.03.178	Top cover	1
2	1003.2265	Countersunk self tapping screw 4,2x16	8
3	1104.0820	Snap nut 4,2mm	8
4	16.02.885	Side panel right	1
6	16.03.331	Side panel left	1
7	10.00.992	Hex self tapping screw B4,2x32	2
8	1104.0820	Snap nut 4,2mm	2
9	16.02.963	Back panel, left	1
10	16.02.962	Back panel, right	1
11	16.03.142	Front panel	1
13	16.02.992	Crossbar front panel	1
17	16.02.905	Crossbar top	1
21	40.04.771	Air inlet filter	1
22	56.00.827	Frame for drawer CareControl	1
23	56.00.966	Drain pipe with bushings	1
26	40.04.902	Cover f. USB interface	1
27	10.00.103	EJOT PT-screw KA 3.5x10	1
28	40.04.906	USB socket with cable	1
29	10.00.460	EJOT PT-Screw Torx 3,5x14	2
30	56.00.800	Gasket f. breather tube	1
32	56.00.874	Gasket wastewater	1
33	12.01.899	Gasket for base frame	1
34	12.01.716	Cover for base frame	1
35	1004.0666	Hex screw M4x10	1
36	12.01.877	Splash guard	1
37	1004.0666	Hex screw M4x10	2

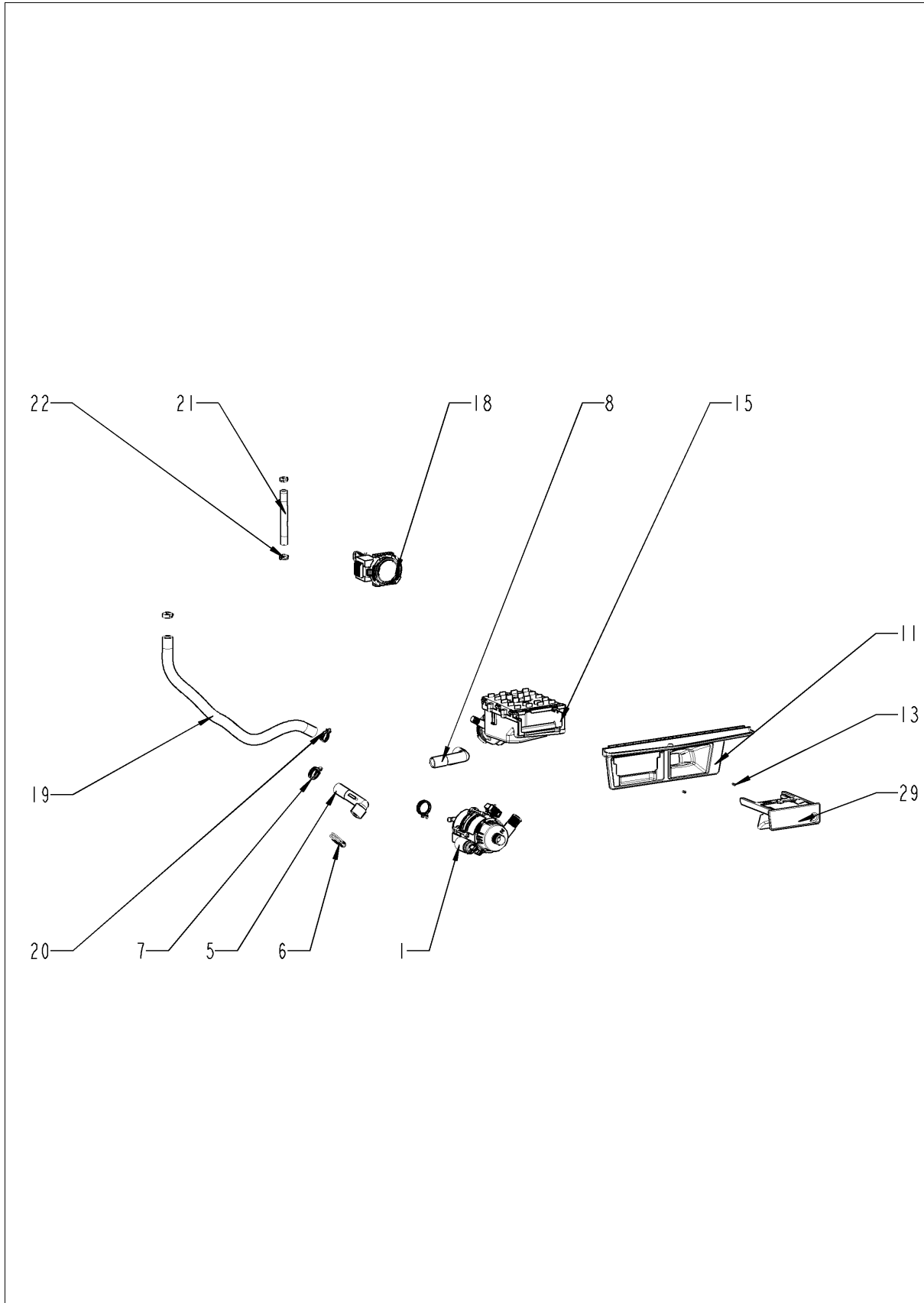
Water



Water

Pos.	Part no.	Description	Qty.
1	54.01.517	Ventilation pipe	1
2	54.01.503	Rubber form piece venting pipe	1
4	10.01.455	Hose clamp Ø54x9	2
5	50.00.086	Locking plate f. water distribution	1
6	1900.0202	Water filter	1
8	10.00.873	Hose clamp CLIC d=15.5mm	6
10	52.00.017	Angle plug PS3 6-6-90°	2
11	52.00.016	Hand shower roll guide	1
12	52.00.058	Connect. hose f. hand shower roll guide	1
13	50.00.085	Plug-in spring f. hand shower roll guide	1
15	50.00.282	Hand shower black	1
16	50.00.156	Clamp f. hand shower roll guide	1
18	10.01.065	Hex nut M5	1
19	56.00.731	Ball valve drain SCC cpl.	1
21	10.00.449	Pan head screw M6x16	2
22	56.00.830	O-ring for ball valve drain 36x3.5	1
23	56.00.829	O-ring for ball valve drain 19x3.5	1
24	54.01.511	Inspection lid, B2	1
25	54.01.168	Gasket f. inspection lid	1
27	50.01.733	Quad solenoid valve	1
28	50.01.799	Water distribution	1
31	2067.0050	Pressure hose d10mm	.85
33	50.01.640	Water volume sensor	1
34	2067.0050	Pressure hose d10mm	.39
35	52.00.059	Grommet for drain hose	1
40	2067.0050	Pressure hose d10mm	.625
42	2022.0101	Grommet d8mm	1
48	52.00.047	Hose ø10x2x220 f. hand shower	1
49	2066.0527	Hose clamp ø14mm	1

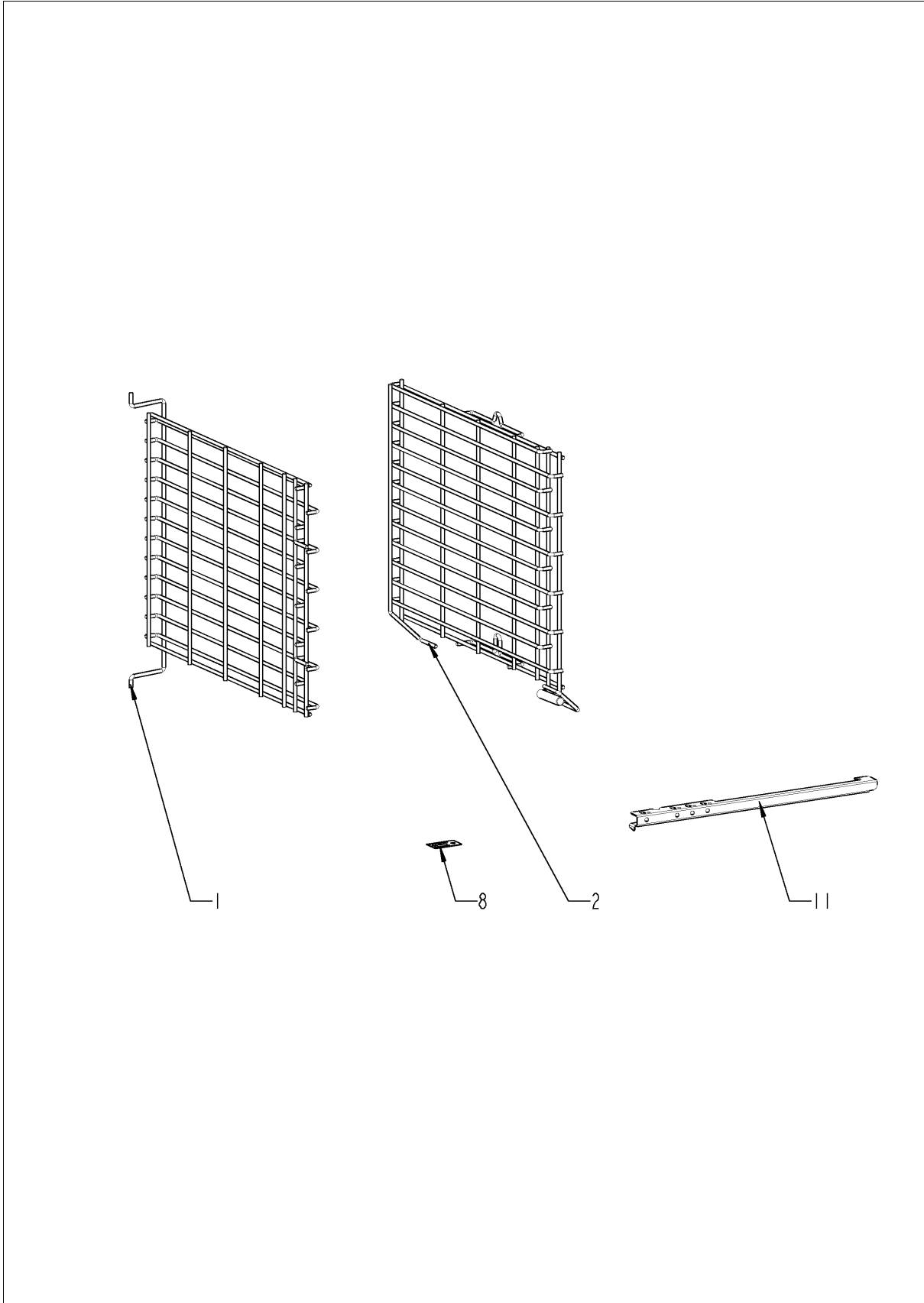
CleanJet + Care



CleanJet + Care

Pos.	Part no.	Description	Qty.
1	56.00.870	Pump f. cleaning UP30	1
5	56.00.823	Elbow for suction hose CleanJet	1
6	2066.0518	Hose clamp 30mm	1
7	10.01.510	Hose clamp \varnothing 26.8	1
8	56.00.784	Suction hose f. cleaning	1
11	56.00.827	Frame for drawer CareControl	1
13	10.00.980	EJOT PT-Screw K30x10	2
15	56.00.666	Care container table unit	1
18	56.00.918	Pump f. CareControl	1
19	56.00.677	Care hose	1
20	2066.0525	Hose clamp \varnothing 22,1 mm	1
21	56.00.744	Pressure hose \varnothing 10mm 130mm	1
22	10.00.873	Hose clamp CLIC d=15.5mm	2
29	56.00.672	Drawer Care container	1

Standard accessory



Standard accessory

Pos.	Part no.	Description	Qty.
1	60.73.725	Hinging rack left Typ 623	1
2	60.73.726	Hinging rack right Typ 623	1
8	10.01.535	Sticker set	1
10	60.71.379	Water connection kit, table unit E/USA	1
10	60.71.379	Water connection kit, table unit E/USA	1
11	60.73.955	Positioning support f. core sensor	1

Index

Part no.	Description	Page
24.03.057	Abrasion protection for glide socket	27
40.04.331	Adaptor cable f. Ball valve drain	9
22.01.228	Air baffle	21
40.04.771	Air inlet filter	31
22.00.914	Air inlet pipe	11
40.05.016	Air shaft cpl.	7
52.00.017	Angle plug PS3 6-6-90°	33
16.02.963	Back panel, left	31
16.02.962	Back panel, right	31
56.00.731	Ball valve drain SCC cpl.	33
12.01.871	Bracket for door contact switch	29
40.03.995	Bus cable 0.85m	7
44.01.495	Bushing for filling steam generator	13
10.00.111	Cable clip long	11
40.05.419	Cable connection M25x1.5	7
40.05.357	Cable control harness	9
40.04.838	Cable control harness *below*	9
40.03.516	Cable MMI - CPU	5
40.03.515	Cable MMI - TFT	5
40.05.055	Cable On-Off switch MMI	5
24.03.467	Cable shaft for door	27
10.00.414	Cable strap black 120°	13
40.05.295	Cable, interior light W40	27
40.05.310	Cable, interior light W41	27
40.05.311	Cable, interior light W42	27
10.00.090	Cap f. Torx T30	25
10.01.076	Cap nut M5*A2	17, 21
56.00.666	Care container table unit	35
56.00.677	Care hose	35
40.03.981	Change-over switch with cable USA	9
50.00.156	Clamp f. hand shower roll guide	33
10.00.087	Clamp strap f. sensor	21

Index

Part no.	Description	Page
2001.0109	Compression spring	25
52.00.058	Connect. hose f. hand shower roll guide	33
40.04.908	Contacto assembly	9
40.05.269	Contacto B&J K3-10NDR10 190R B01B01TX	9
42.00.260	Control pcb	7
42.00.112	Control pcb *TFT*	5
40.03.348	Control transformer T1	9
40.03.257	Converter 230VAC 24VDC	7
40.04.115	Cooling fan	7
1315.0104	Copper washer 16x20x1,5	21
1006.1962	Countersunk screw Torx M6x16	25
1003.2265	Countersunk self tapping screw 4,2x16	31
24.03.062	Cover cap for door	27
16.02.889	Cover f. control pcb w. gasket	5
40.04.902	Cover f. USB interface	31
40.04.811	Cover for air outlet	7
12.01.716	Cover for base frame	31
40.04.122	Cover for Fuse *UL*	9
16.02.992	Crossbar front panel	31
16.02.905	Crossbar top	31
16.02.062	Dial f. pulse generator	5
24.02.970	Door	25
24.02.951	Door bolt	25
24.03.040	Door bolt	25
24.02.959	Door catch	25
24.03.021	Door drip collector	27
20.02.549	Door gasket	21
24.02.937	Door handle	25
24.03.041	Door lock with spring U-bolt	25
24.03.461	Door mounting support bottom	25
24.03.399	Door mounting support top	25
24.02.966	Door setting bolt	27

Index

Part no.	Description	Page
40.04.342	Door switch 0.45m	29
44.01.569	Drain hose steam generator	13
44.01.470	Drain hose steam generator	13
56.00.966	Drain pipe with bushings	31
56.00.672	Drawer Care container	35
40.01.329	Dry up protector 183°C	9
40.03.743	Earth terminal WK4 SL/U	9
10.00.980	EJOT PT-Screw K30x10	35
10.00.103	EJOT PT-screw KA 3.5x10	31
10.00.460	EJOT PT-Screw Torx 3,5x14	31
56.00.823	Elbow for suction hose CleanJet	35
44.00.207	Emptying pump	13
40.05.262	End cover APFN 2,5 D1/2/35	9
40.04.180	Energy_opt-Terminal 4poles	7
40.05.376	Fan motor	19
22.01.062	Fan wheel	19
44.01.581	Filling level electrode 170 mm	13
24.03.060	Fixing bracket for interior glass pane	27
40.03.780	Fixing clip core temp. cable	23
40.03.756	Fixing clip f. pcb	7
40.03.533	Fixing clip f. pcb	7
24.00.502	Fixing device f. magnet with magnet	27
44.01.445	Fixing device f. pump steam generator	13
40.04.834	Fixing device for safety temperature limiter	9
40.05.420	Fixing nut for cable gland M25x1.5 MS	7
22.00.721	Flange f. motor shaft gasket	19
56.00.827	Frame for drawer CareControl	31, 35
16.03.142	Front panel	31
4001.0224	Fuse 6.35x32mm	9
40.01.487	Fuse holder 2pol	9
40.02.512	Fuse holder 2x6.3A	9
40.01.588	Fuse SC-8A 10x38	9

Index

Part no.	Description	Page
56.00.800	Gasket f. breather tube	31
46.00.170	Gasket f. heating assembly	17
44.01.433	Gasket f. heating element	13
22.00.881	Gasket f. hum. meas. Pipe	11
54.01.168	Gasket f. inspection lid	33
12.01.899	Gasket for base frame	31
56.00.874	Gasket wastewater	31
87.01.416	Glass pane bundle	27
22.01.196	Graphit seal for gasket flange	19
2022.0101	Grommet d8mm	33
52.00.059	Grommet for drain hose	33
22.01.082	Hand protection	23
50.00.282	Hand shower black	33
52.00.016	Hand shower roll guide	33
40.04.795	Heat sink small SSR	7
46.00.203	Heating assembly	17
44.01.489	Heating element	13
10.00.916	Hex nut M4 w. locking	11, 13, 21
1105.0120	Hex nut M5	9
10.01.065	Hex nut M5	19, 33
10.01.490	Hex nut M6	19
10.00.709	Hex nut M6 w. locking	13
3014.0327	Hex nut M10x1,0	9, 21
10.00.612	Hex nut M16 flat	21
1004.0666	Hex screw M4x10	29, 31
1008.0750	Hex screw M5x16	9
10.00.109	Hex screw M5x23	17
1006.0762	Hex screw M6x10	13
1006.0760	Hex screw M6x16	25
10.01.527	Hex screw M8x12	25
10.00.936	Hex screw M8x20	19
1003.2160	Hex self tapping screw 2,9x9,5	29

Index

Part no.	Description	Page
10.00.992	Hex self tapping screw B4,2x32	31
60.73.725	Hinging rack left Typ 623	37
60.73.726	Hinging rack right Typ 623	37
24.02.958	Holding bracket f. door catch	25
2066.0518	Hose clamp 30mm	13, 35
2066.0507	Hose clamp 32-50mm	13
2066.0504	Hose clamp 40-60mm	13
10.00.873	Hose clamp CLIC d=15.5mm	33, 35
2066.0527	Hose clamp ø14mm	15, 33
2066.0530	Hose clamp ø16.4mm	13, 15
2066.0525	Hose clamp ø22,1 mm	35
10.01.510	Hose clamp ø26.8	35
2066.0519	Hose clamp Ø35,6mm	13
2066.0526	Hose clamp ø46mm	13
10.01.455	Hose clamp Ø54x9	33
22.01.116	Hose set f. humidity control	11
22.01.179	Hose set for ventilation	11
52.00.047	Hose ø10x2x220 f. hand shower	33
22.00.725	Humidity control cpl.	11
22.01.105	Inner humidity meas. Piece	11
54.01.511	Inspection lid, B2	33
24.02.960	Interlocking tooth screw M5x6	25
2062.0331	Junction pressure hose GS 10	15
2760.1370	Latch hook for air baffle	23
87.01.368	LED bar, left/right	27
87.01.365	LED optics	27
24.03.184	Lock cover	25
50.00.086	Locking plate f. water distribution	33
40.02.675	Loudspeaker	7
46.00.171	Mating flange f. heating assembly	17
40.05.254	Meat probe sensor	21
42.00.081	MMI pcb	5

Index

Part no.	Description	Page
42.00.265	Motor control for fan motor	19
22.00.985	Motor shaft gasket D15	19
40.04.835	Mounting device f. pressure sensor	11
40.04.810	Mounting device for cooling fan	7
40.05.037	Mounting device heat sink SSR	7
22.00.722	Mounting support f. gasket flange	19
40.04.910	Mounting support transformer	9
50.00.844	Nozzle f. moistening	17
56.00.829	O-ring for ball valve drain 19x3.5	33
56.00.830	O-ring for ball valve drain 36x3.5	33
22.00.837	O-ring for humidity control	11
1008.0768	Ornamental screw M8x16	25
1008.0769	Ornamental screw M8x30	25
22.01.107	Outer humidity meas. Piece	11
20.02.515	Outlet sieve	21
10.00.449	Pan head screw M6x16	33
10.01.266	Pan head screw Torx T20 10,5mm	7
10.00.061	Pan head screw Torx T20 M4x12	7
50.01.722	Plastic pipe 4,5x0,75x136mm	17
50.00.085	Plug-in spring f. hand shower roll guide	33
60.73.955	Positioning support f. core sensor	37
40.05.268	Power supply cable 4xAWG10 SOOW+15-30P	7
42.00.223	Power supply for standard interior light	7
2067.0050	Pressure hose d10mm	33
56.00.744	Pressure hose ø10mm 130mm	35
3017.1011	Pressure sensor for humidity control Huba 401	11
40.00.404	Pulse generator	5
2118.1000	Pump connection spout	15
8354.1320	Pump connection spout cpl.	13
56.00.918	Pump f. CareControl	35
56.00.870	Pump f. cleaning UP30	35
1103.0600	PVC plug in nut for metal screw 2.9mm	29

Index

Part no.	Description	Page
50.01.733	Quad solenoid valve	33
10.00.515	Rivet 3,2x5 A4	23
1604.0167	Rivet 4x10	23
10.00.890	Rivet 4x10	27
10.00.904	Rivet B4x8	27
54.01.503	Rubber form piece venting pipe	33
44.01.546	Safety device / water supply for steam generator	13
40.01.482	Safety temperature limiter 365°C	9, 21
40.04.844	Screen for safety temperature limiter	21
40.03.782	Screen interior cabinet sensor	21
42.00.128	SD-memory card 4GB	7
16.03.331	Side panel left	31
16.02.885	Side panel right	31
2110.1008	Silicon hose ø10x2mm	15
24.03.052	Sleeve for door bolt top	27
24.03.056	Slide bush for door	27
1104.0820	Snap nut 4,2mm	31
40.01.589	Solid state relais	7
12.01.877	Splash guard	31
24.03.288	Spring U-bolt for door lock	25
10.01.049	Square necked mushroom head bolt 6x30	19
1107.0103	Star lock ø3	17
44.01.434	Steam generator insolated	13
44.01.463	Steam hose Ø40x50mm	13
10.01.535	Sticker set	37
2120.1259	Stop plug 10mm	15
10.01.474	Strain relief clamp	25
56.00.784	Suction hose f. cleaning	35
40.05.261	Terminal block WTP 2,5/4 D1/2 grey	9
40.04.907	Thermocouple humidity *B4*	21
40.04.869	Thermocouple interior cabinet B1	21
40.05.256	Thermocouple steam generator *B5*	13

Index

Part no.	Description	Page
4005.0101	Tie rap 145 mm	15
16.03.178	Top cover	31
50.00.846	Union nut M12x13.2 N	17
40.04.906	USB socket with cable	7, 31
40.02.425	Varistor	9
22.01.112	Vent cover	11, 29
54.01.517	Ventilation pipe	33
1304.0160	Washer A4,3	29
10.00.744	Washer A4,3 *A4	23
1306.0120	Washer A6,4	25
1308.0162	Washer A8,4	19
60.71.379	Water connection kit, table unit E/USA	37
50.01.799	Water distribution	33
1900.0202	Water filter	33
50.01.640	Water volume sensor	33

