

robot *coupe*®



- **Blixer® 23**
- **Blixer® 30**
- **Blixer® 45**
- **Blixer® 60**

P.O. Box 16625, Jackson, MS 39236-6625

280 South Perkins St., Ridgeland, MS 39157

e-mail: robocoup@misnet.com - website: www.robotcoupeusa.com - Phone : 1-800-824-1646

SUMMARY

■ WARRANTY

■ IMPORTANT WARNING

■ INTRODUCING THE NEW

EMULSIFIER-MIXER Blixer® 23

• Blixer® 30 • Blixer® 45 • Blixer® 60

■ SWITCHING ON THE MACHINE

- Advice on electrical connections
- Control panel
- Safety indicator lights

■ ASSEMBLY

■ WIPER ASSEMBLY

■ HELPFUL TIPS

- Emptying the bowl
- Blade assembly

■ MAXIMUM PROCESSING CAPACITIES

■ ASSEMBLING AND USE OF THE BLADE ASSEMBLY

- Assembling the 2-blade assembly

■ EXAMPLES OF USE

■ CLEANING

■ MAINTENANCE

- Blades
- Shaft seals
- Replacement of motor shaft seal
- Bowl seal
- Dismantling the blade assembly
- Lid seal

■ TECHNICAL SPECIFICATIONS

- Bowl capacities
- Weight
- Dimensions
- Installation
- Noise level
- Electrical data

■ SAFETY

■ TECHNICAL DATA

- Before Starting
- Exploded views
- Electrical and wiring diagrams

ROBOT COUPE U.S.A., INC. LIMITED WARRANTY

280 South Perkins St., Ridgeland, MS 39157

e-mail: robocoup@misnet.com - website: www.robotcoupeusa.com - Phone : 1-800-824-1646

YOUR NEW ROBOT COUPE PRODUCT IS WARRANTED TO THE ORIGINAL PURCHASER FOR A PERIOD OF ONE YEAR FROM THE DATE OF PURCHASE.

This LIMITED WARRANTY is against defects in the material and/or workmanship, and includes labor for replacement of defective parts, provided repairs are performed by an authorized service agency (see attached list).

The Customer must inform the Service Agency of the possibility of warranty coverage and provide a copy of the dated sales or delivery receipt BEFORE WARRANTY REPAIRS ARE BEGUN.

Replacement parts and accessories are warranted for ninety (90) days from the date of purchase when purchased separately and will be verified by dated sales receipt OR packing slip which lists that item.

All parts or accessories replaced under warranty must be returned to the Service Agency.

THE FOLLOWING ARE NOT COVERED BY THE ROBOT COUPE U.S.A. INC LIMITED WARRANTY:

1 - Damage caused by abuse, misuse, dropping, or other similar damage caused by or resulting from failure to follow assembly, operating, cleaning, user maintenance or storage instructions.

2 - Labor to sharpen and/or replacements for blades that have become blunt, chipped or worn after a normal or excessive period of use.

3 - Materials or labor to replace or repair scratched, stained, chipped, pitted, dented or discolored surfaces, blades, knives, attachments or accessories.

4 - Any alteration, addition, or repair that has not been carried out by the company or an approved service agency.

5 - Transportation of the appliance to or from an approved service agency.

6 - Labor charges to install or test new attachments or accessories (i.e., bowls, plates, blades, attachments), which have been replaced for any reason.

7 - The cost of changing direction-of-rotation of three-phase electric motors (Installer is responsible).

8 - SHIPPING DAMAGES. Visible and/or hidden damage is the responsibility of the freight carrier. The consignee must inform the carrier and consignor immediately, or upon discovery in the case of hidden defects.

KEEP ALL ORIGINAL CONTAINERS AND PACKING MATERIALS FOR CARRIER INSPECTION.

Neither ROBOT COUPE U.S.A., INC. nor its affiliated companies or any of its distributors, directors, agents, employees, or insurers will be liable for indirect damage, losses, or expenses linked to the appliance or the inability to use it. **The ROBOT COUPE U.S.A., INC. warranty is given expressly and in lieu of all other warranties, expressed or implied, for merchantability and for fitness toward a particular purpose and constitutes the only warranty made by ROBOT COUPE U.S.A., INC..**

IMPORTANT WARNING



WARNING: In order to limit accidents such as electric shocks, personal injury or fire, and in order to limit material damage due to misuse of the appliance, please read these instructions carefully and follow them strictly. Reading the operating instructions will help you get to know your appliance and enable you to use the equipment correctly. The operation manual should be kept within easy access to all users for reference and should be read completely by all first time users of the machine.

UNPACKING

- Carefully remove the equipment from the packaging and take out all the boxes or packets containing attachments or specific items.
- **WARNING**-some of the parts are very sharp e. g. blades ... etc.

INSTALLATION

- Install your machine on a stable solid base.

CONNECTION

- Always check that your power supply corresponds to that indicated on the serial number plate and that it is properly sized.

HANDLING

- Always wear cut-resistant gloves when handling the cutting blades.

ASSEMBLY PROCEDURES

- Follow the various assembly procedures carefully (see page 7) and make sure that all the attachments are correctly positioned.

USE

- **Do not open the bowl lid until the blades have come to a complete stop.**
- **Never tamper with or defeat the purpose of the locking and safety systems.**
- **Never put a hand or nonfood object into the bowl.**
- **Do not overload the machine.**
- **The blades are sharp. Wear cut-resistant gloves when handling the blades.**

CLEANING

- **Always unplug your appliance before cleaning.**
- **Always clean the appliance and attachments at the end of each use.**
- **For parts made of aluminum alloys, use cleaning detergents suitable for aluminum. Presently, there are no aluminum alloys on the surface of the machine.**
- **Do not spray or pressure-wash the machine.**

- **For plastic parts, do not use detergents that are too alkaline (i.e., containing too much caustic soda or ammonia...).**

MAINTENANCE

- **Always unplug the appliance before servicing.**
- **Check the seals regularly and ensure that the safety devices are in good working order.**
- **It is particularly important to maintain and check the attachments since certain products contain corrosive agents e.g. citric acid.**
- **NOTICE: Never operate the appliance if the power cord or plug has been damaged. If the machine fails to operate as described in this manual, or if the machine malfunctions in any way, remove the machine from use and have it serviced. Additionally, discard all food processed at the time of the malfunction.**
- **Contact your local ROBOT-COUPE Authorized Service Agency if something appears to be wrong.**

INTRODUCING THE NEW EMULSIFIER-MIXER

**Blixer® 23 • Blixer® 30
Blixer® 45 • Blixer® 60**

ROBOT-COUCPE has developed a new concept in food processing equipment: the **Blixer®**.

The Blixer® combines the features of two well-known appliances: the cutter and the blender-mixer.

The Blixer® is perfectly geared to professional needs. It can perform any number of tasks which you will soon discover as you use it.

The Blixer® will make it easy to prepare mixed liquid or semi-liquid, raw or cooked meals.

The Blixer® runs at two speeds: **1.800 and 3.600 rpm.**

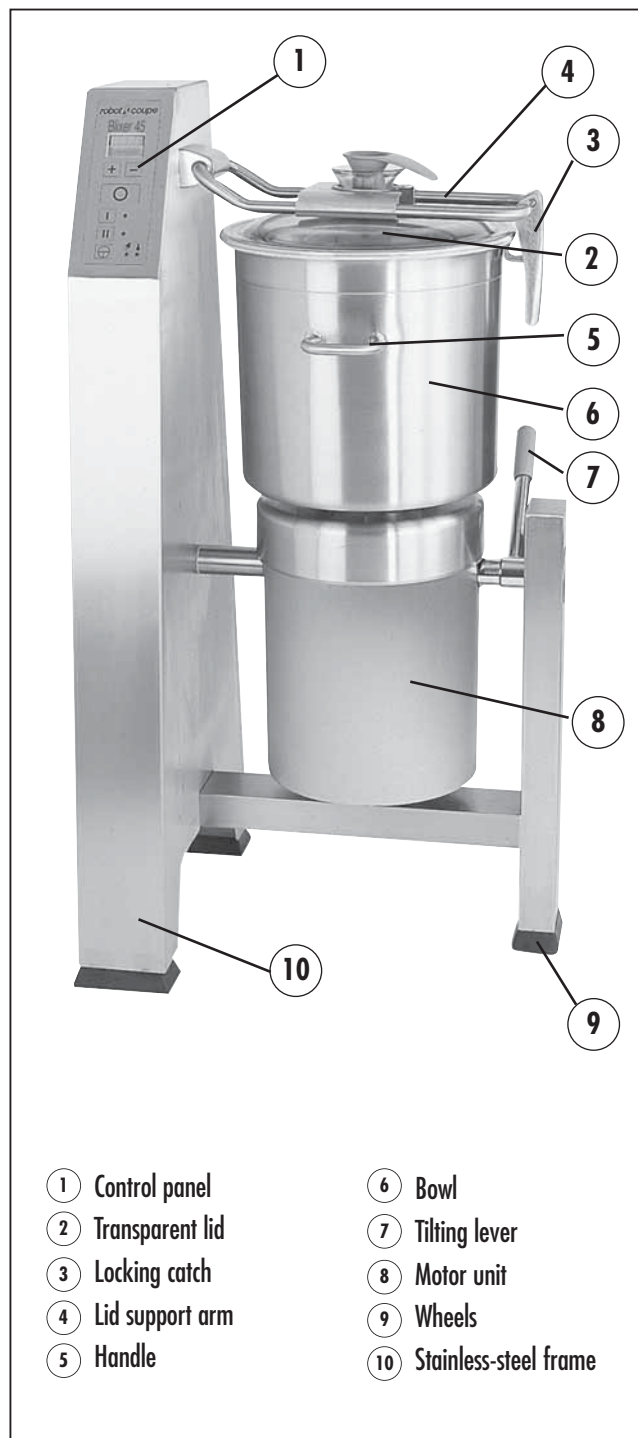
Thanks to your appliance's simple design, all components requiring frequent handling for maintenance or cleaning can be fitted and removed with the greatest of ease.

For optimum convenience, this manual describes the various assembly operations on a step-by-step basis. It places special emphasis on explaining the various actions that cause the motor to stop, as the appliance is equipped with safety devices which prevent access to the blade assembly until it has come to a complete standstill.

This manual contains important information designed to help you get the most out of your vertical cutter-mixer.

We therefore recommend that you read the manual carefully before using your appliance.

We have also included examples of a few processing tasks to help you get the feel of your new appliance and appreciate the full range of its many useful features.



- | | |
|-------------------|-------------------------|
| ① Control panel | ⑥ Bowl |
| ② Transparent lid | ⑦ Tilting lever |
| ③ Locking catch | ⑧ Motor unit |
| ④ Lid support arm | ⑨ Wheels |
| ⑤ Handle | ⑩ Stainless-steel frame |

SWITCHING ON THE MACHINE

• ADVICE ON ELECTRICAL CONNECTIONS

The wiring must be installed by a qualified electrician.

Before plugging your appliance in, check that your power supply voltage is the same as that indicated on the rating plate.

If your appliance is not connected to the mains via a plug and socket, it must be connected to an electrical disconnect switch that can be padlocked.

RISK OF ELECTROCUTION

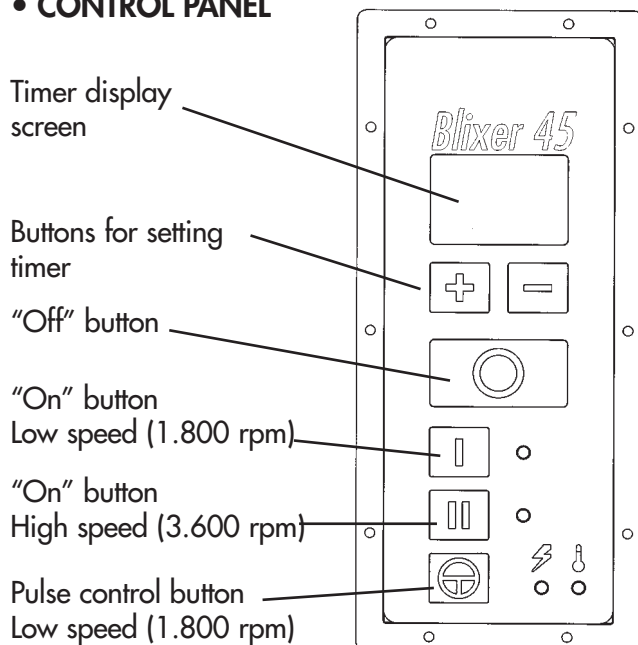
- The machine must be grounded electrically.
- The appliance is only insulated from the mains supply when it is unplugged.

With the blade removed and the bowl empty, turn on the machine. The shaft should rotate in a counterclockwise direction.

CHANGING MOTOR ROTATION REQUIRES A QUALIFIED ELECTRICIAN

Appliances are designed to operate on a
208-240 Volt, 60 Hz,
3 Phase power supply.

• CONTROL PANEL



• SAFETY INDICATOR LIGHTS

For models Blixer® 23 • 30 • 45 • 60 :

- **The orange light** comes on when the appliance is **plugged** in. If **none** of the lights come on, this either means that the appliance is **not plugged in** properly or that one of the safety devices is not activated.
- **2 green lights** indicate that the appliance is ready for use (see starting procedure on page 6).
- **The red light** is a **motor temperature indicator**. When it comes on, it means that the motor has reached a temperature of 120° C and may shortly stop to avoid overheating. This allows you to stop your processing task and avoid possible motor damage. It is best to wait until the **red light** has gone out before resuming your task.
- In case of motor thermal overload, **the red and orange** lights will stay on until the motor has cooled down. The machine will not start while the orange light is on.

- In case of overload trip, the motor stops and only the orange light is on. After the automatic resetting of the overload device, the orange light turns off, both green lights switch on and the machine can be restarted.

ASSEMBLY



- 1) Notice the lip on the bowl. On one side, directly over one of the handles, the lip extends straight out rather than being curled. This feature is for pouring and should be to your left as you place the bowl onto the machine.

Facing the tilting lever end of the machine, lower the bowl over the motor shaft until it rests on the top surface of the motor unit. Turn the bowl handles in a clockwise direction about 45° as shown until you feel it drop down a bit. Once you feel the bowl bottom-out, turn it back in a counterclockwise direction until it comes to a complete stop and feels tight and stable. When viewed from the tilting lever end, the handles should be directly to your left and right. The bottom of the bowl should be parallel with the top surface of the motor unit.

- 2) Before you continue, make sure the bowl is in the upright position. Check the locking lever. It should be rotated to the right (as you are facing the locking lever end of the machine) and pressed down, locking the bowl in the upright position.



⚠ DANGER : RISK OF INJURY

The blades are extremely sharp.
For this reason, always make sure you have removed the blade assembly before doing any job inside the bowl, such as cleaning or emptying.



- 3) Place the blade assembly on the motor shaft. Then lower it to the bottom of the bowl by rotating it. Always check that the blade assembly is correctly **positioned at the bottom of the bowl** before placing the ingredients you wish to process in the bowl.



- 4) Position the lid in the space provided in the lid support arm, then **rotate it 90°** to lock it into position.



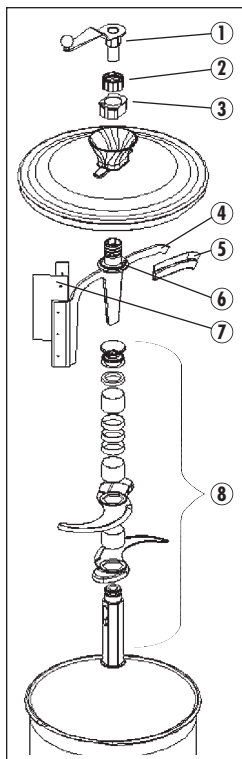
- 5) To close the lid, fit the locking catch over the edge of the bowl and push the handle down. The appliance is now ready for use. The **green lights** should be on.

If the safety indicator lights do not become green, check all the assembly procedures according to page 41.

WIPER ASSEMBLY

Assembly :

- Remove the lid from the machine and place it on a table or level surface.
- Place the guld **3** (with the flared end up) into the cone shaped opening and push down firmly with both thumbs, until the bottom is level with the underside of the lid.
- Put the lid back on the machine, and ,with the lid open, insert **4** through the underside of the lid.
- Screw the nut number **2** onto number **4** as tight as possible.
- Assemble the handle number **1** into the nut number **2** to turn the wiper assembly.



Aftercare :

- The lid scraper **5**, the ring **6** and the flexible wiper **7** must be regularly inspected to ensure that they are still working properly. If these parts become worn, they should be replaced.

Warning !

The arm should only be operated in a clockwise direction. The arm will only rotate 1/2 turn in the counterclockwise direction

NEVER FORCE THE ARM IN THE COUNTERCLOCKWISE DIRECTION.

Leave the handle 1 in the arm while using the appliance in order keep the nut from working loose.

HELPFUL TIPS

• EMPTYING THE BOWL

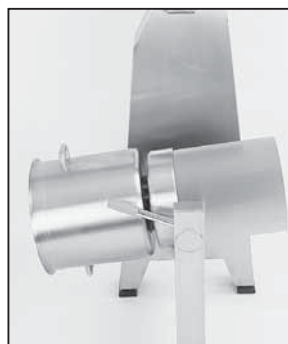


1) Open the lid by freeing the locking handle. Release the tilting lever by raising it.

2) Depending on the product, it may be possible to remove the blade assembly before tilting the bowl. If it is not practical to remove it, hold the blade assembly down with one hand while tilting the bowl with the other.



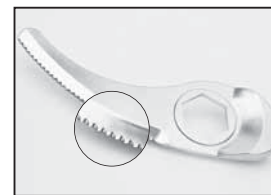
CAUTION: It is advisable to wear cut-resistant gloves when handling the blades.



3) With a receptacle in place, tilt and empty the bowl.

• BLADE ASSEMBLIES

In order to minimize vibration and to ensure optimum cutting quality, Robot Coupe has developed a new patented blade design.



Fine serrated edge for all blending tasks and smooth or fine-textured preparations.

The standard blixer blade assembly.



To obtain the best results, it is important to get the spacing between the blades right and to take into account the maximum processing capacities (see table).

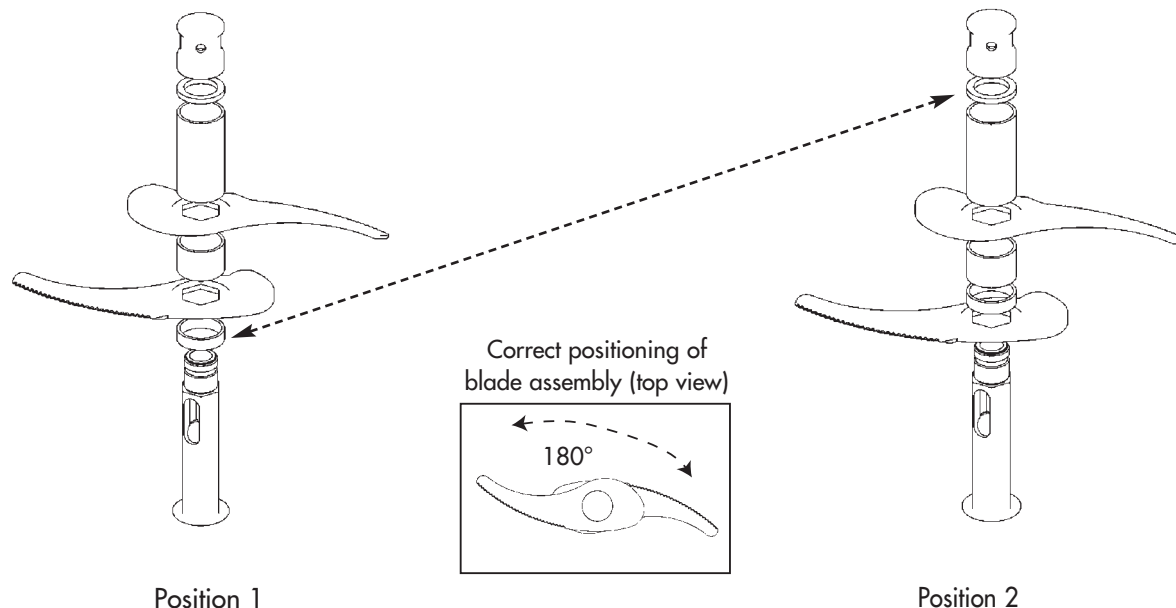
MAXIMUM PROCESSING CAPACITIES

The **maximum processing capacities** are given in the table below.

Maximum processing capacities	Blixer®			
	23	30	45	60
	9 to 34 Lbs	9 to 44 Lbs	13 to 66 Lbs	13 to 100 Lbs
Liquids at low speed	16	21	31	42

ASSEMBLING AND USE OF THE BLADE ASSEMBLY

• ASSEMBLING THE 2-BLADE ASSEMBLY:



POSITION 1: With spacer between lower blade and blade shaft.

FITTING:

- Fit the blades and spacers so that they are the right distance apart, according to the:
 - type
 - weight and
 - volume of the foodstuffs to be processed.

POSITION 2: No spacer between lower blade and blade shaft.

- For **fine chopping and emulsions.**

DISMANTLING :

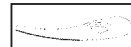
- Unscrew the locking nut
- Remove the spacers.



Locking nut



Wide spacer



Blade



Locking spacer



Narrow spacer



Blade shaft

EXAMPLES OF USE

The Blixer® will enable you to perform all your cutting tasks in minimum time. We recommend therefore, that you keep a close eye on the mixture in order to obtain the desired results.

HOSPITAL USES:

SPOON FEEDING

- Minced foods: meat, fish etc.
- Vegetable purees
- Mousses: vegetables, fish etc.
- Compotes of stewed fruit

SEMI-LIQUID FEEDING

This simply entails diluting spoon-feeding preparations:

- Minced meat + gravy
- Puree + liquid (broth, milk, etc.)
- Soups / creamed soups
- Fruit compotes + syrup or water

LIQUID FEEDING (for use via tubes)

- Soups and any preparations that can be liquidized.

DELICATESSEN USES:

- **Butter mixtures:** snail butter, salmon butter, anchovie butter...
- **Sauces:** green sauce, mayonnaise, remoulade, ailloli, emulsified sauces with tomatoes, cream, parsley...
- **Vegetable mousses.**
- **Grinding:** lobster, scampi, seashells...

PHARMACEUTICAL AND CHEMICAL LABORATORY USES:

- **Grinding:** herbs, seeds, powders, tablets...
- **Mixing:** homogeneization of creams, ointments, mixed components, varied ingredients...

CLEANING



WARNING

UNPLUG THE APPLIANCE BEFORE CLEANING. WEAR CUT-RESISTANT GLOVES WHEN HANDLING THE BLADE ASSEMBLY.

All parts that come into contact with food are easy to remove and clean. Failure to keep the machine clean can result in tainted food, high repair costs, and shortened machine life. Follow the cleaning instructions detailed below, or clean according to local Health Department Regulations.

Pre-rinse the attachments before washing to remove any bulk food on the parts. A stiff bristle brush or power sprayer faucet attachment is effective in knocking the food out of the crevices of the attachments as a pre-rinse procedure. Follow the instructions below for individual parts.

CLEANING THE BLADE ASSEMBLY

For the purpose of sanitation, the blades must be disassembled (see the maintenance section for instructions) and cleaned at the end of each prep session or three times a day. The blade assembly should be completely disassembled before washing. The blade assembly can be washed in a dish machine or three-tank system pot sink. The washer should have an industry-standard wash, rinse, and sanitization cycle. Allow the parts to air-dry after sanitizing. Apply a little food-grade oil or grease to the threads on the top locking nut before reassembly.

CLEANING THE BOWL

Wash the bowl in a dish machine or three-tank system pot sink. The washer should have an industry-standard wash, rinse, and sanitization cycle. Allow the bowl to air-dry after sanitizing and before reassembly.

CLEANING THE LID

Wash the lid by hand in a three-tank system pot sink. The high temperatures of dish machines can shorten the life of plastics. Wash the lid with a detergent suitable for cleaning plastic parts. Allow the lid to air-dry after sanitizing and before reassembly.

CLEANING THE EXTERIOR FRAME AND HOUSING

Always unplug the machine before cleaning. Do not pressure-wash the machine. Use a cloth dampened with a soapy-water solution to wipe down the exterior.

CLEANING THE SEALS

The seals under the bowl protect the motor and seal the bottom of the bowl. Clean the seals with a soapy-water solution. If necessary, use a small brush to help loosen food particles. After cleaning, lubricate the seals with a food-grade grease or oil.



IMPORTANT

Like the bowl and lid, the blade assembly should also be removed for cleaning after use.

Always dry all the metal parts carefully, especially the blades, to avoid oxidization.

When you are not using your appliance, keep the lid open and do not leave the bowl in the locked position (this will prevent the seals from becoming worn).



IMPORTANT

Check that your detergent is suitable for cleaning the plastic parts.

Certain washing agents are too alkaline (e.g. high levels of caustic soda or ammonia) and totally incompatible with certain types of plastic, causing them to deteriorate rapidly.

MAINTENANCE

• BLADES

Wear cut-resistant gloves when handling the blade assembly.

The blades do not need to be razor sharp to provide a quality cut. However, they will need sharpening from time to time. Use the honing stone shipped with the machine, or have the blades sharpened professionally if you prefer. If they become too worn to sharpen, replacement blades are available.

• SHAFT SEALS

The watertightness is achieved by a sealing socket that holds two shaft seals, a stainless steel deflector with integrated V-ring (upside) and an O-ring (downside).

To ensure that the motor remains totally watertight, it is advisable to check the seals for wear once a month, and replace them if necessary.

When the seals are worn, liquid may first run into the bearings, then reach the motor. If this happens, the seals, the bearings and even the motor may have to be replaced.

The seals are easy to replace without having to remove the motor, so you are strongly advised to keep an eye on their state of wear.

• REPLACEMENT OF MOTOR SHAFT SEAL



1) Tools needed



2) Remove the bowl



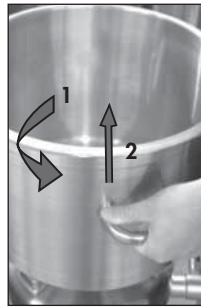
3) Remove the bowl seal



4) Unscrew the 3 bolts



5) Remove bolts and washers



6) Put the bowl back on and pull up



13) Remove 1 mm thick washer



14) Attach the bowl with the pouring lip on the left hand side.



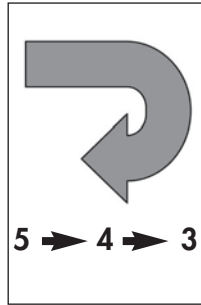
15) It's done !



7) Socket and top seal are free



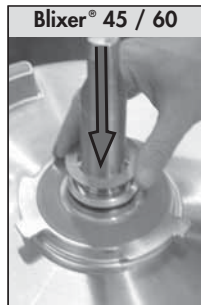
8) Replace shaft seals



9) 5 to 3 in reverse order



10) Replace shaft top seal, place it on shaft chamfer



11) Place 1 mm thick washer



12) Push down blade assy, stop when hits motor shaft

• BOWL SEAL

The bowl seal, located between the bowl and the bushing, ensures that the bowl remains watertight. This sealing part must be regularly lubricated with food-grade oil and be changed. Check it monthly for signs of wear, as the watertightness of the bowl depends on it.

In order to make it easier for you to clean your appliance, the bowl sealing assembly is located on the underside of the bowl.

As a result, a small area here may fill up with foodstuff, though it will empty itself when the bowl is released.

• DISMANTLING THE BLADE ASSEMBLY

WEAR CUT-RESISTANT GLOVES WHEN HANDLING THE BLADES



Blade stop

- For the purpose of sanitation, the blades should be disassembled and cleaned following each meals preparation, or at least three times a day.

- Remove the blade assembly.
- Remove the bowl.

- Place the blade stop on the motor shaft.
- Put the blade assembly back in position.



- Loosen the top locking nut with the provided tool, turning it counter-clockwise.
- Dismantle the blade assembly by hand.

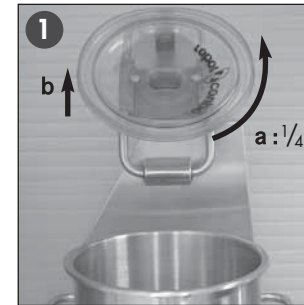
- To reassemble the blades, follow these instructions in the reverse order. Also, refer to the illustrations on page 9.

- **Make sure you tighten the top locking nut firmly so that the blade assembly will not come apart.**

• LID SEAL

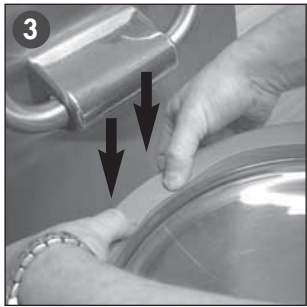
The lid is designed to be completely watertight within the limits set out on page 9 (see examples of use). In order to ensure that it remains that way, you may have to change the seal occasionally, depending on how regularly you use your machine. If you do not use your machine regularly, we recommend that you leave the lid open when it is not in use.

SEAL REPLACEMENT

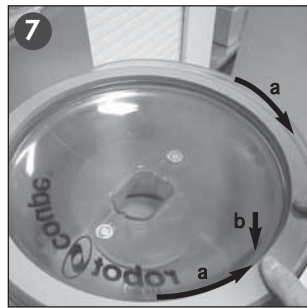
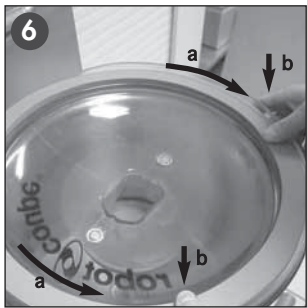
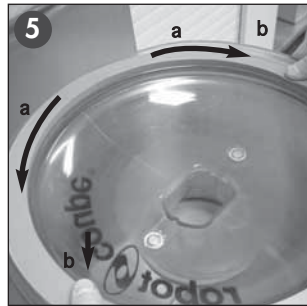
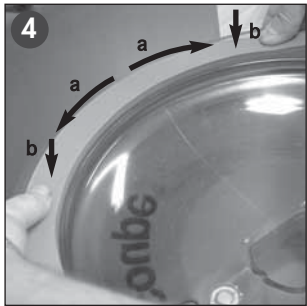


1- With the lid in the open position, turn it 1/4 in either direction. Then, lift the lid up and out of the slot in the holding bracket.

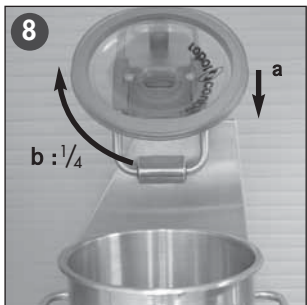
2- Put the lid upside down on top of the bowl.



3 - Install the seal with the seam (where the two ends are joined) on the hinged side of the lid. The inner portion of the seal is grooved to fit the corresponding raised rim on the lid.



4 to 7 - Begin installing the seal on the hinged side of the lid, pressing down on the inner portion of the seal and working your way along each side, until the seal is completely installed.



8 - Put the lid back in the bracket, and give it a 1/4 turn.

TECHNICAL SPECIFICATIONS

In order to obtain good results when mincing meat, grinding and kneading, do not fill the bowl over half full.

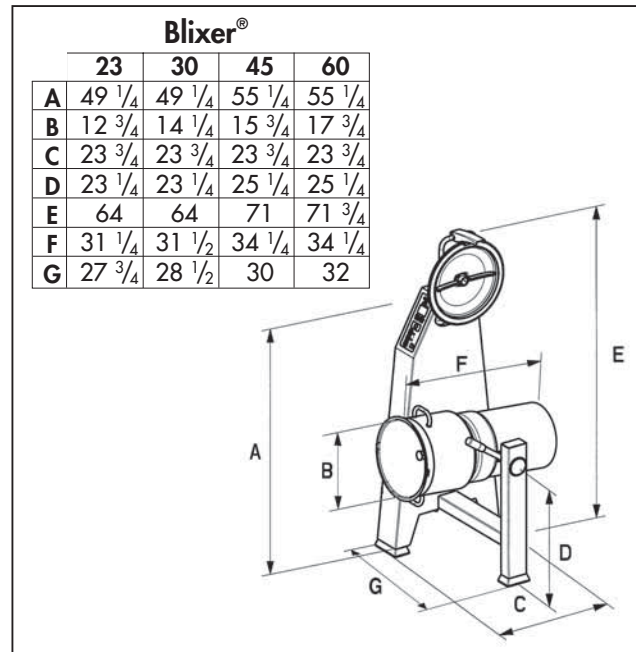
• BOWL CAPACITIES

Blixer® 23: 24 quarts
 Blixer® 30: 31 quarts
 Blixer® 45: 47 quarts
 Blixer® 60: 63 quarts

• WEIGHT (lbs)

	Net weight	Gross weight
Blixer® 23 / Blixer® 30 :	223	289
Blixer® 45 :	305	364
Blixer® 60 :	331	390

• DIMENSIONS (in inches)



• INSTALLATION

We recommend that you install your vertical cutter-mixer on a flat, stable surface.

• NOISE LEVEL

The equivalent continuous sound pressure level when running these appliances empty is less than 70 dB (A).

• ELECTRICAL DATA

Three-phase machine.

Model Blixer®	Motor	Speed (rpm)	Rated power (watts)	Rated current (Amp)	Minimum branch * circuit protection required (A)
23	208-240 V/60Hz/3ph	1800 3600	3700 4500	16,0 18,2	30
30	208-240 V/60Hz/3ph	1800 3600	4400 5400	18,6 23,1	40
45	208-240 V/60Hz/3ph	1800 3600	7000 10000	27,0 35,0	60
60	208-240 V/60Hz/3ph	1800 3600	8400 12000	32,5 45,0	60

* Recommendation only, local electrical codes must be followed if applicable.



* NOTE

When the appliance is switched on, the current is several times greater than the rated current.

“The starting current of appliances must be taken into account when determining the conductor gauge and choosing the overcurrent protective devices to prevent excessive voltage drops during the starting phase and unexpected protective device tripping.”

A protective device dedicated to AC induction motor must be used. See recommended size in the table above. In every case, you must comply with the legislation currently in force.

SAFETY

These appliances are fitted with four interlocking devices.

The machine can be started only if the following conditions are achieved:

- The bowl is locked in the right angular position,
- The bowl and the motor are in vertical position,
- The lid is locked on its support in the correct angular position,
- The lid is closed on the bowl.

Caution: Allow product circulation to stop before opening the lid.

These models are also fitted with a **thermal protection system** (with automatic reset) which stops the motor if it is overloaded. A red warning light signals that the machine is becoming too hot and is about to stop.

If this happens, wait until the appliance has cooled down before switching it back on (the orange light will switch off and the green lights will switch on again).



WARNING

The blades are extremely sharp. Handle with care.



REMEMBER

Never try to override the locking and safety systems.

Never insert a nonfood object into the container where the food is being processed.

Never push the ingredients down with your hand.

Do not overload the appliance.

BEFORE STARTING • ANTES DE PONER EN MARCHA • AVANT DE DÉMARRER



0 →



1 →



2 →



3 →



4 →



5 →

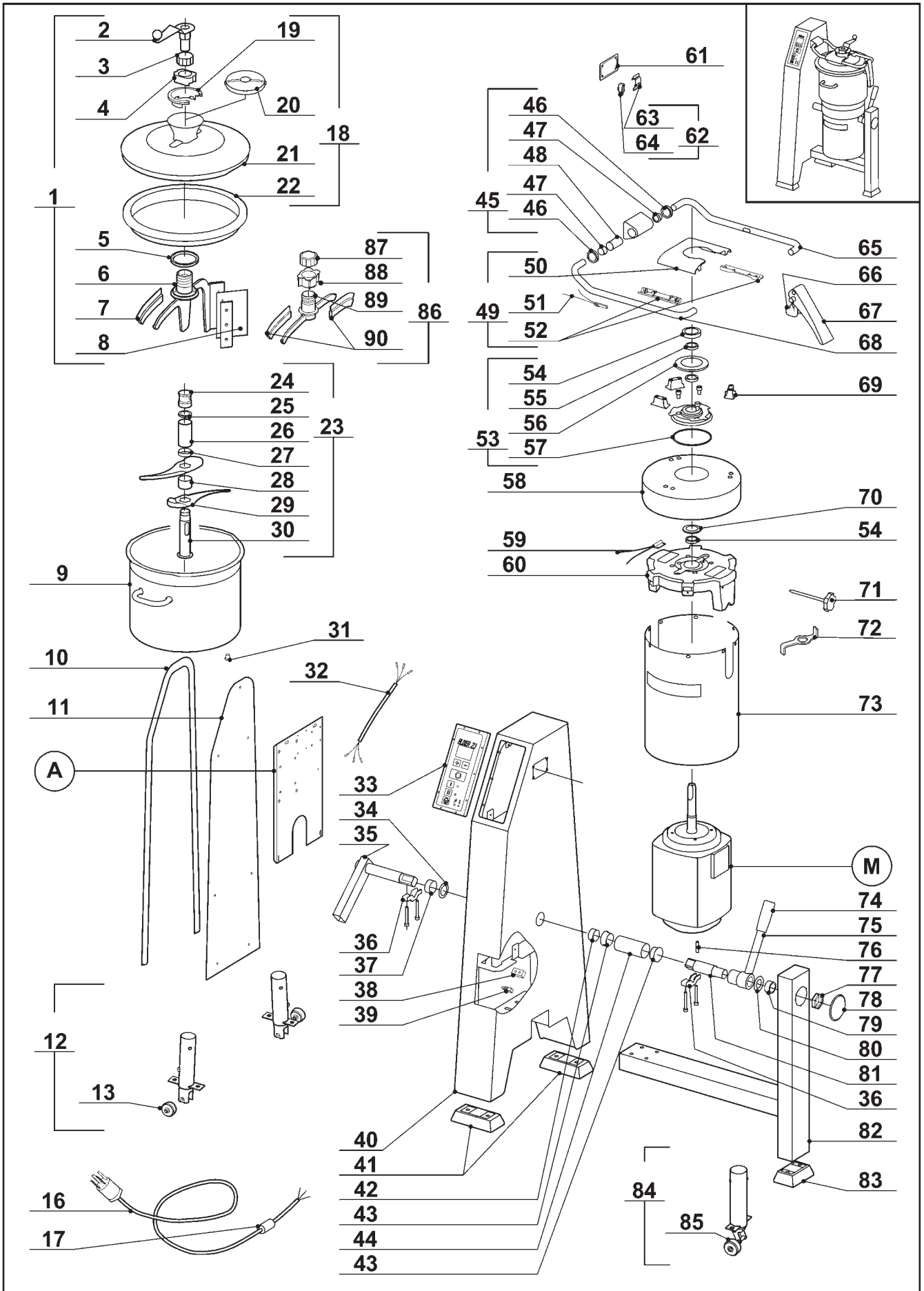


6 →



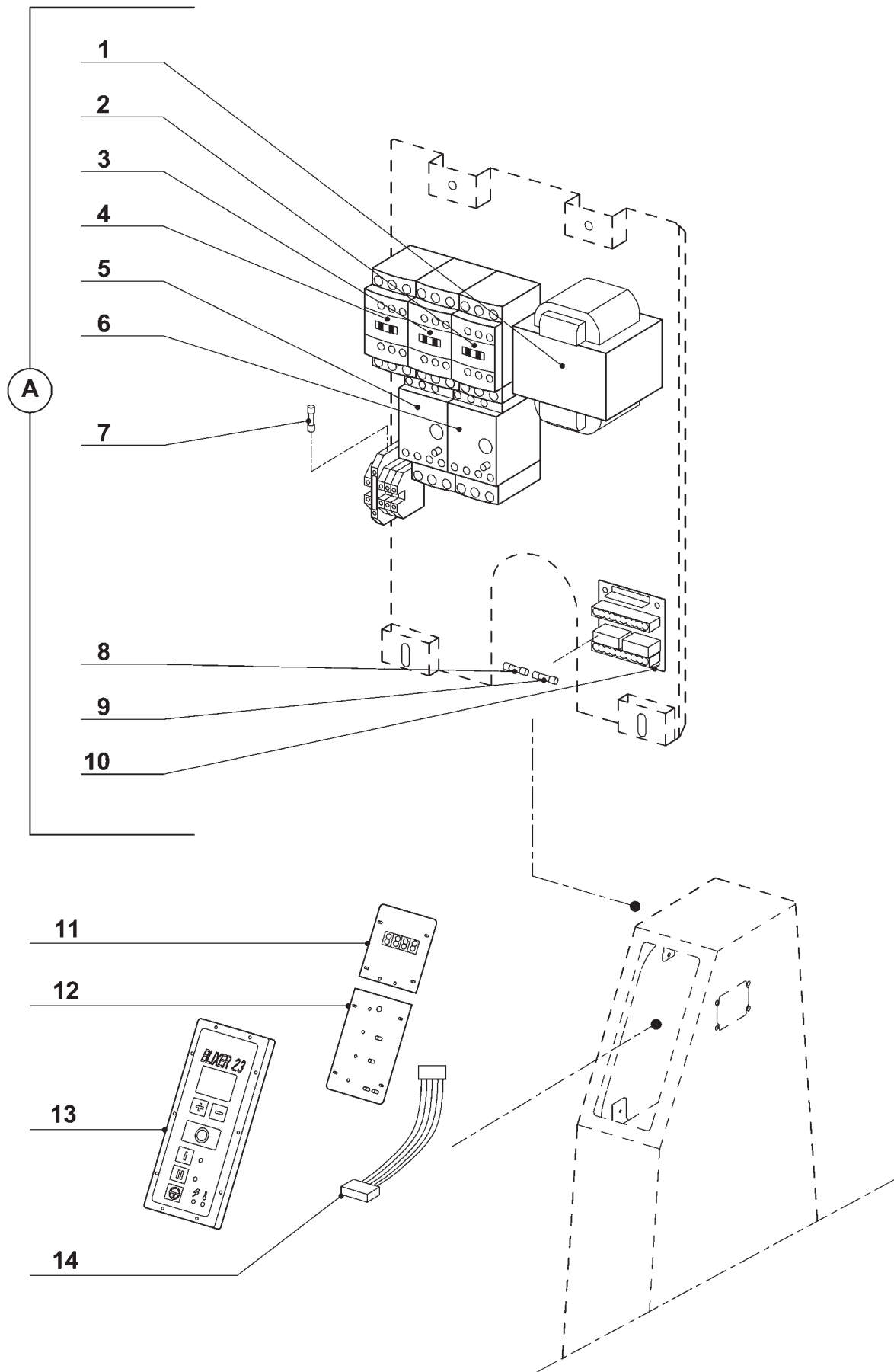
7



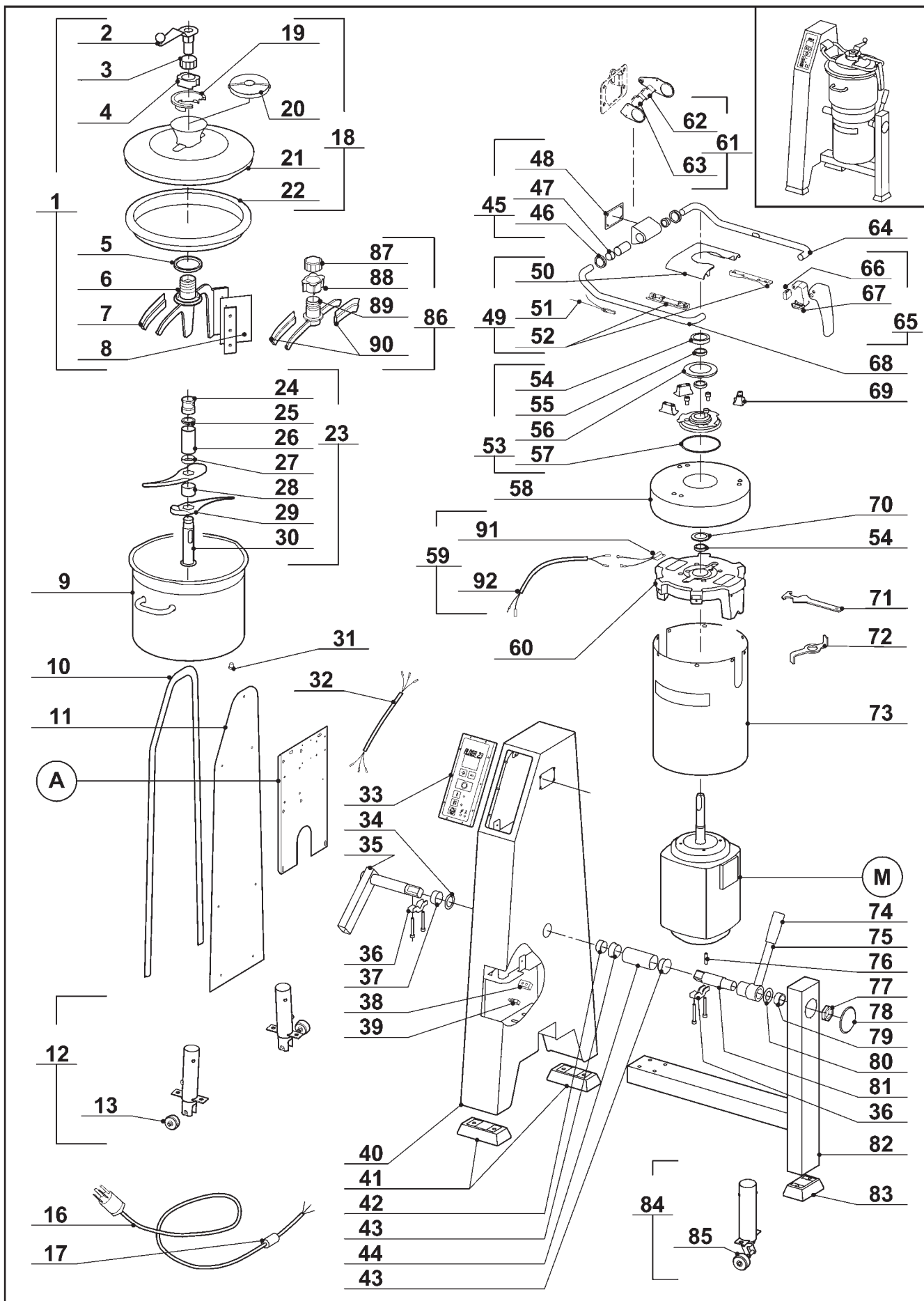


Index	Pièce / Part	Description	/
A	117 984	PLATINE DE PUISSANCE	/ POWER CIRCUIT BOARD
M	303 125	MOTEUR	/ MOTOR
1	59 214	ENS. BRAS BLIXER	/ BLIXER BOWL SCRAPER ASSEMBLY
2	59 166	ENS. MANIVELLE	/ BLIXER HANDLE ASSEMBLY
3	118 227	ECROU ESSUIE COUVERCLE	/ LID WIPER NUT
4	59 218	ENS GUIDE BLIXER	/ BLIXER GUIDE ASSEMBLY
5	119 246	RONDELLE INDEXAGE BLIXER	/ BLIXER INDEXING SPACER
6	119 240	BRAS BLIXER	/ BLIXER ARM
7	118 238	RACLEUR SOUPLE COUVERCLE	/ LID SOFT WIPER
8	59 219	ENS. RACLEUR SOUPLE	/ SOFT SCRAPER ASSEMBLY
9	59 155	ENS. CUVE	/ BOWL ASSEMBLY
10	118 256	JOINT FACE ARRIERE	/ CASING ACCESS DOOR SEAL
11	117 935	FACE ARRIERE	/ CASING ACCESS DOOR
12	59 204	ENS. ROULETTE AR (NM)	/ REAR CASTOR ASSEMBLY (NM)
13	59 210	ENS ROULETTE AR SEULE (NM)	/ SLANTED CASTOR ASSEMBLY (NM)
16	503 264	CABLE	/ POWER CORD
17	59 160	PASSE-FIL	/ POWER CORD PROTECTOR
18	59 153	ENS. COUVERCLE COMPLET	/ COMPLETE LID ASSEMBLY
19	118 100	GUIDE COUVERCLE	/ LID GUIDE
20	118 573	BOUCHON SOUPLE	/ SOFT LID CUP
21	118 177	COUVERCLE PLASTIQUE	/ PLASTIC LID
22	119 183	JOINT COUVERCLE	/ LID SEAL
23	57 071	ENS. COUTEAU BLIXER	/ FINE SERRATED BLADE ASSEMBLY
24	118 202	ECROU COUTEAU	/ BLADE LOCKING NUT
25	118 203	RONDELLE PLASTIQUE	/ PLASTIC WASHER
26	119 131	BAGUE COUTEAU 81mm	/ 81mm BLADE SPACER
27	118 201	BAGUE COUTEAU 10mm	/ 10mm BLADE SPACER
28	118 200	BAGUE COUTEAU 32mm	/ 32mm BLADE SPACER
29	118 291	LAME BLIXER	/ FINE SERRATED STRAIGHT BLADE
30	117 930	SUPPORT COUTEAU	/ BLADE SUPPORT
31	118 171	BOUCHON SECURITE	/ SAFETY PLUG
32	118 127	FAISCEAU ILS BRAS	/ SAFETY WIRING
33	59 154	ENS. CLAVIER	/ CONTROL PANEL ASSEMBLY
34	118 147	RONDELLE APPUI ARRIERE	/ BACK THRUST WASHER
35	59 156	ENS. AXE ARRIERE	/ BACK TILTING PIVOT ASSEMBLY
36	119 214	CAVALIER AXE BASCULEMENT	/ TILTING PIVOT STAPLE
37	118 146	ENTRETOISE AXE ARRIERE	/ BACK TILTING PIVOT SPACER
38	117 959	BUTEE BASCULEMENT	/ TILTING THRUST
39	507 007	SWITCH BASCULEMENT	/ TILTING SAFETY SWITCH
40	117 934	CAISSON	/ CASING
41	118 186	PIED ARRIERE	/ CASING FOOT
42	118 148	DOUILLE PALIER ARRIERE	/ BACK BEARING BUSH
43	118 150	DOUILLE MANCHON	/ SLEEVE BUSH
44	118 156	MANCHON 87mm	/ SLEEVE 87mm
45	59 128	ENS. CHARNIERE	/ HINGE ASSEMBLY
46	501 424	BAGUE ETANCH 20X30	/ SEALING RING 20X30
47	118 126	DOUILLE	/ BUSH
48	118 253	CAME BRAS	/ ARM CAM
49	59 130	ENS. SUPPORT COUVERCLE	/ LID SUPPORT ASSEMBLY
50	118 101	SUPPORT COUVERCLE	/ LID SUPPORT
51	118 132	ILS BRAS	/ ARM REED SWITCH
52	59 131	ENS. PINCES BRAS	/ ARM CLIP ASSEMBLY
53	59 133	ENS. DOUILLE	/ SEALING SOCKET ASSEMBLY
54	507 168	JOINT FACIAL	/ SHAFT SEAL
55	501 105	BAGUE A LEVRE	/ LIP SEAL

Index	Pièce / Part	Description	/
56	118 153	JOINT FOND DE CUVE	/ BOWL SEAL
57	507 050	JOINT TORIQUE	/ O RING
58	118 151	JUPE HAUTE	/ UPPER MOTOR COVER
59	118 157	ILS ENTRETOISE	/ MOTOR SUPPORT REED SWITCH
60	59 197	ENS. ENTRETOISE	/ SPACER ASSEMBLY
61	118 255	JOINT PLAT DE CHARNIERE	/ HINGE FLAT SEAL
62	59 127	ENS. INTER SECURITE	/ SAFETY SWITCH ASSEMBLY
63	118 254	SUPPORT INTERRUPTEUR	/ SWITCH SUPPORT
64	501 258	INTERRUPTEUR SECURITE	/ SAFETY SWITCH
65	119 204	TUBE DROIT	/ RIGHT LID TUBE
66	119 212	CROCHET DE COUVERCLE	/ LID HOOK
67	59 196	ENS POIGNEE COUVERCLE	/ LID HANDLE ASSEMBLY
68	119 205	TUBE GAUCHE	/ LEFT LID TUBE
69	59 165	ENS. APPUI DE CUVE	/ BOWL THRUST ASSEMBLY
70	118 155	DEFLECTEUR MOTEUR	/ MOTOR DEFLECTOR
71	59 950	ENS. TIGE R25	/ PIN ASSEMBLY
72	118 267	DEMONTE COUTEAU	/ KNIFE TOOL
73	118 296	JUPE BASSE	/ BOTTOM MOTOR COVER
74	118 142	POIGNEE	/ HANDLE
75	59 138	ENS. LEVIER DE SERRAGE	/ TILTING LOCKING ASSEMBLY
76	208 582	GOUPILLE	/ PIN
77	118 166	ECROU REGLAGE BASCUL.	/ TILTING ADJUSTING NUT
78	117 956	BOUCHON	/ PLUG
79	118 144	DOUILLE PALIER AVANT	/ FRONT HEASING BUSH
80	118 143	RONDELLE D'APPUI AVANT	/ FRONT THRUST WASHER
81	59 137	ENS. AXE AVANT	/ TILTING FRONT AXLE ASSEMBLY
82	118 189	PIEtement	/ STAND
83	117 958	PIED AVANT	/ STAND FOOT
84	59 203	ENS. ROULETTE AV (NM)	/ FRONT CASTOR ASSEMBLY (NM)
85	59 209	ENS ROULETTE AV SEULE (NM)	/ STRAIGHT CASTOR (NM)
86	59 205	ENS ESSUIE COUVERCLE	/ LID WIPER ASSEMBLY
87	118 227	ECROU ESSUIE COUVERCLE	/ LID WIPER NUT
88	118 228	GUIDE ESSUIE COUVERCLE	/ LID WIPER GUIDE
89	118 229	ESSUIE COUVERCLE	/ LID WIPER
90	118 238	RACLEUR SOUPLE COUVERCLE	/ LID SOFT WIPER

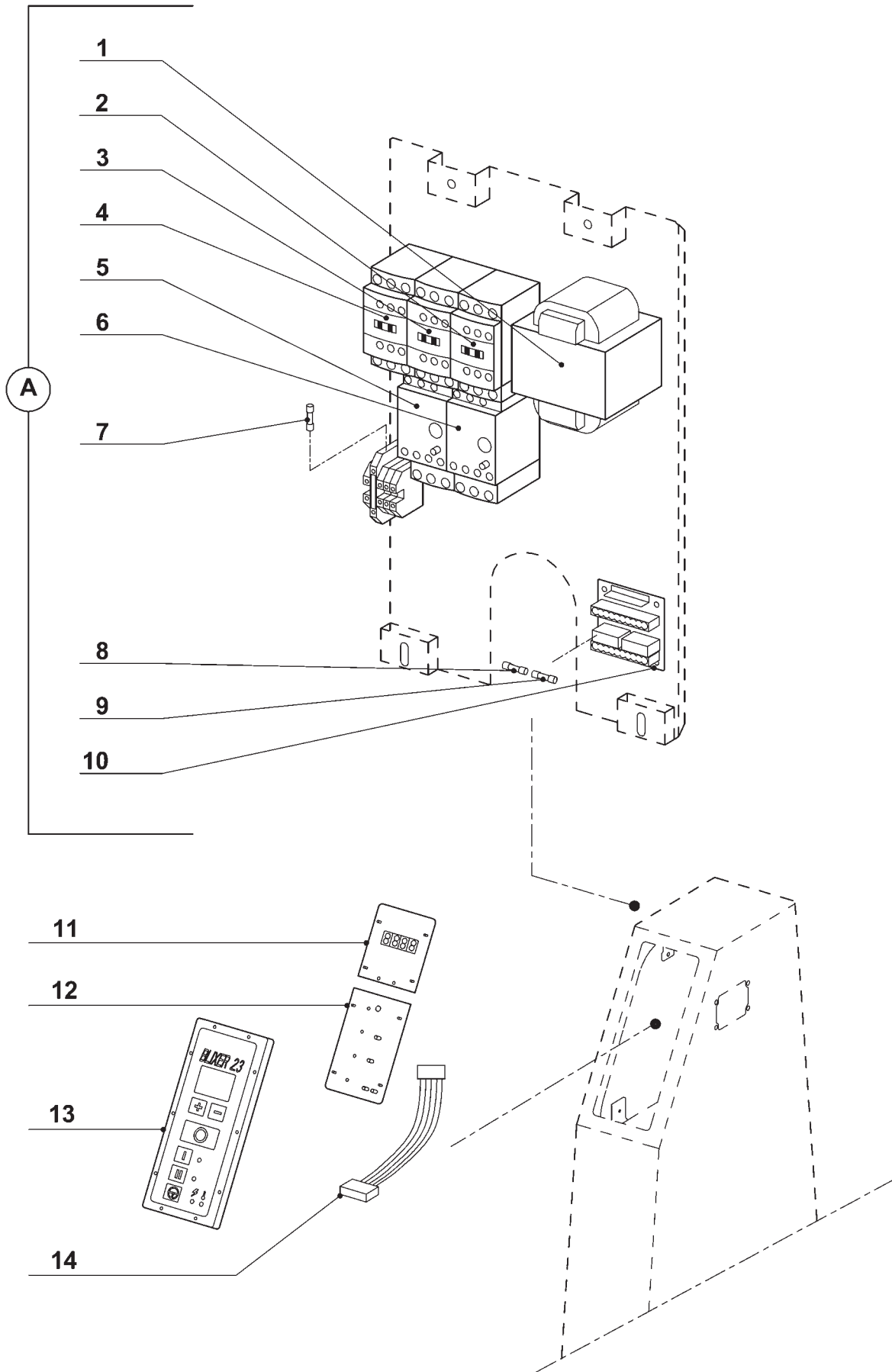


<i>Index</i>	<i>Pièce / Part</i>	<i>Désignation</i>	<i>/ Description</i>
A	117 984	PLATINE DE PUISSANCE	/ POWER CIRCUIT BOARD
1	507 200	TRANSFORMATEUR	/ TRANSFORMER
2	503 364	CONTACTEUR GRANDE VITESSE	/ HIGHT SPEED CONTACTOR
3	503 364	CONTACTEUR PETITE VITESSE	/ LOW SPEED CONTACTOR
4	503 364	CONTACTEUR DE COMMUTATION	/ COMMUTATION CONTACTOR
5	507 202	RELAIS THERMIQUE PETITE VITESSE	/ LOW SPEED THERMAL RELAY
6	507 203	RELAIS THERMIQUE GRANDE VITESSE	/ HIGHT SPEED THERMAL RELAY
7	500 537	FUSIBLE PRIMAIRE 12/24V	/ PRIMARY FUSE 12/24V
8	504 253	FUSIBLE SECONDAIRE 12V	/ SECONDARY FUSE 12V
9	504 253	FUSIBLE SECONDAIRE 24V	/ SECONDARY FUSE 24V
10	117 980	CARTE CONNECTION	/ CONNECTION CARD
11	119 218	CARTE TIMER	/ TIMER CIRCUIT BOARD
12	119 217	CARTE COMMANDE	/ CONTROL CIRCUIT BOARD
13	59 154	ENS. TABLEAU COMMANDE 6 TOUCHES	/ SWITCH PANEL 6 TOUCH PADS
14	117 982	LIMANDE	/ FLAT LINK CABLE

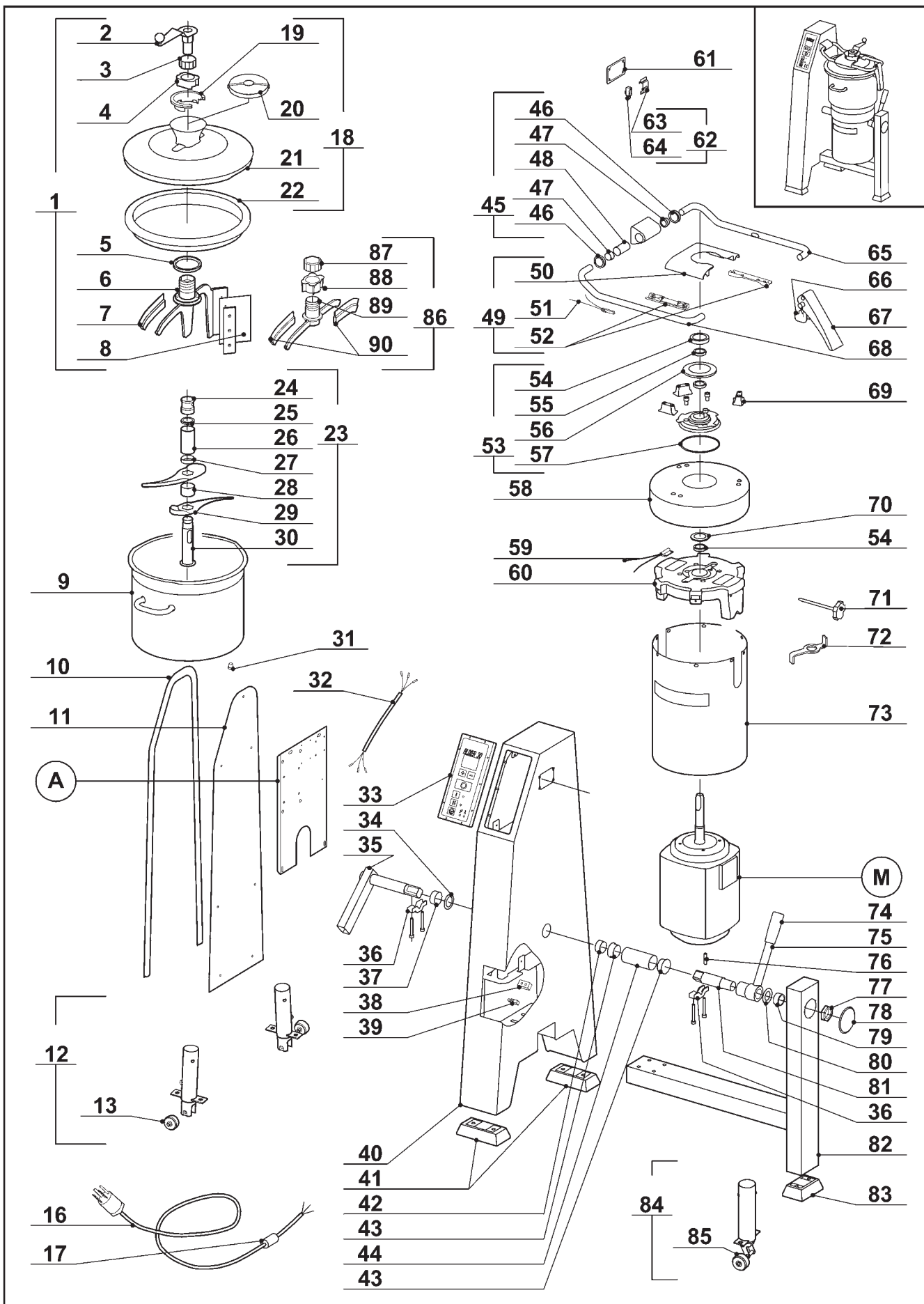


Index	Pièce / Part	Description	/
A	117 984	PLATINE DE PUISSANCE	/ POWER CIRCUIT BOARD
M	303 125	MOTEUR	/ MOTOR
1	59 214	ENS. BRAS BLIXER	/ BLIXER BOWL SCRAPER ASSEMBLY
2	59 166	ENS. MANIVELLE	/ BLIXER HANDLE ASSEMBLY
3	118 227	ECROU ESSUIE COUVERCLE	/ LID WIPER NUT
4	59 218	ENS GUIDE BLIXER	/ BLIXER GUIDE ASSEMBLY
5	119 246	RONDELLE INDEXAGE BLIXER	/ BLIXER INDEXING SPACER
6	119 240	BRAS BLIXER	/ BLIXER ARM
7	118 238	RACLEUR SOUPLE COUVERCLE	/ LID SOFT WIPER
8	59 219	ENS. RACLEUR SOUPLE	/ SOFT SCRAPER ASSEMBLY
9	59 155	ENS. CUVE	/ BOWL ASSEMBLY
10	118 256	JOINT FACE ARRIERE	/ CASING ACCESS DOOR SEAL
11	117 935	FACE ARRIERE	/ CASING ACCESS DOOR
12	59 204	ENS. ROULETTE AR (NM)	/ REAR CASTOR ASSEMBLY (NM)
13	59 210	ENS ROULETTE AR SEULE (NM)	/ SLANTED CASTOR ASSEMBLY (NM)
16	503 264	CABLE	/ POWER CORD
17	59 160	PASSE-FIL	/ POWER CORD PROTECTOR
18	59 274	ENS. COUVERCLE COMPLET	/ COMPLETE LID ASSEMBLY
19	118 100	GUIDE COUVERCLE	/ LID GUIDE
20	118 573	BOUCHON SOUPLE	/ SOFT LID CUP
21	127 523	COUVERCLE PLASTIQUE	/ PLASTIC LID
22	119 263	JOINT COUVERCLE	/ LID SEAL
23	57 071	ENS. COUTEAU BLIXER	/ FINE SERRATED BLADE ASSEMBLY
24	118 202	ECROU COUTEAU	/ BLADE LOCKING NUT
25	118 203	RONDELLE PLASTIQUE	/ PLASTIC WASHER
26	119 131	BAGUE COUTEAU 81mm	/ 81mm BLADE SPACER
27	118 201	BAGUE COUTEAU 10mm	/ 10mm BLADE SPACER
28	118 200	BAGUE COUTEAU 32mm	/ 32mm BLADE SPACER
29	118 291	LAME BLIXER	/ FINE SERRATED STRAIGHT BLADE
30	117 930	SUPPORT COUTEAU	/ BLADE SUPPORT
31	118 171	BOUCHON SECURITE	/ SAFETY PLUG
32	118 127	FAISCEAU ILS BRAS	/ SAFETY WIRING
33	59 154	ENS. CLAVIER	/ CONTROL PANEL ASSEMBLY
34	118 147	RONDELLE APPUI ARRIERE	/ BACK THRUST WASHER
35	59 156	ENS. AXE ARRIERE	/ BACK TILTING PIVOT ASSEMBLY
36	119 214	CAVALIER AXE BASCULEMENT	/ TILTING PIVOT STAPLE
37	118 146	ENTRETOISE AXE ARRIERE	/ BACK TILTING PIVOT SPACER
38	117 959	BUTEE BASCULEMENT	/ TILTING THRUST
39	507 007	SWITCH BASCULEMENT	/ TILTING SAFETY SWITCH
40	117 934	CAISSON	/ CASING
41	118 186	PIED ARRIERE	/ CASING FOOT
42	118 148	DOUILLE PALIER ARRIERE	/ BACK BEARING BUSH
43	118 150	DOUILLE MANCHON	/ SLEEVE BUSH
44	118 156	MANCHON 87mm	/ SLEEVE 87mm
45	59 128	ENS. CHARNIERE	/ HINGE ASSEMBLY
46	501 424	BAGUE ETANCH 20X30	/ SEALING RING 20X30
47	118 126	DOUILLE	/ BUSH
48	118 255	JOINT PLAT DE CHARNIERE	/ HINGE FLAT SEAL
49	59 130	ENS. SUPPORT COUVERCLE	/ LID SUPPORT ASSEMBLY
50	118 101	SUPPORT COUVERCLE	/ LID SUPPORT
51	118 132	ILS BRAS	/ ARM REED SWITCH
52	59 131	ENS. PINCES BRAS	/ ARM CLIP ASSEMBLY
53	59 133	ENS. DOUILLE	/ SEALING SOCKET ASSEMBLY
54	507 168	JOINT FACIAL	/ SHAFT SEAL
55	501 105	BAGUE A LEVRE	/ LIP SEAL

Index	Pièce / Part	Description	/
56	118 153	JOINT FOND DE CUVE	/ BOWL SEAL
57	507 050	JOINT TORIQUE	/ O RING
58	118 151	JUPE HAUTE	/ UPPER MOTOR COVER
59	118 157	ENS ILS ENTRETOISE	/ MOTOR SUPPORT REED SWITCH ASSEMBLY
60	59 197	ENS. ENTRETOISE	/ SPACER ASSEMBLY
61	59 272	ENS. INTER SECURITE	/ SAFETY SWITCH ASSEMBLY
62	501 258	INTERRUPTEUR SECURITE NF	/ NC SAFETY SWITCH
63	507 250	INTERRUPTEUR SECURITE NO	/ NO SAFETY SWITCH
64	119 204	TUBE DROIT	/ RIGHT LID TUBE
65	59 273	ENS POIGNEE	/ LID HANDLE ASSEMBLY
66	119 259	BUTEE DE CROCHET	/ HOOK PROTECTION
67	119 267	CROCHET DE COUVERCLE	/ LID HOOK
68	119 205	TUBE GAUCHE	/ LEFT LID TUBE
69	59 165	ENS. APPUI DE CUVE	/ BOWL THRUST ASSEMBLY
70	118 155	DEFLECTEUR MOTEUR	/ MOTOR DEFLECTOR
71	59 950	CLEF DEMONTE COUTEAU	/ KNIFE NUT TOOL
72	118 267	DEMONTE COUTEAU	/ KNIFE TOOL
73	118 296	JUPE BASSE	/ BOTTOM MOTOR COVER
74	118 142	POIGNEE	/ HANDLE
75	59 138	ENS. LEVIER DE SERRAGE	/ TILTING LOCKING ASSEMBLY
76	208 582	GOUPILLE	/ PIN
77	118 166	ECROU REGLAGE BASCUL.	/ TILTING ADJUSTING NUT
78	117 956	BOUCHON	/ PLUG
79	118 144	DOUILLE PALIER AVANT	/ FRONT HEASING BUSH
80	118 143	RONDELLE D'APPUI AVANT	/ FRONT THRUST WASHER
81	59 137	ENS. AXE AVANT	/ TILTING FRONT AXLE ASSEMBLY
82	118 189	PIEtement	/ STAND
83	117 958	PIED AVANT	/ STAND FOOT
84	59 203	ENS. ROULETTE AV (NM)	/ FRONT CASTOR ASSEMBLY (NM)
85	59 209	ENS ROULETTE AV SEULE (NM)	/ STRAIGHT CASTOR (NM)
86	59 205	ENS ESSUIE COUVERCLE	/ LID WIPER ASSEMBLY
87	118 227	ECROU ESSUIE COUVERCLE	/ LID WIPER NUT
88	118 228	GUIDE ESSUIE COUVERCLE	/ LID WIPER GUIDE
89	118 229	ESSUIE COUVERCLE	/ LID WIPER
90	118 238	RACLEUR SOUPLE COUVERCLE	/ LID SOFT WIPER
91	119 199	ILS ENTRETOISE	/ MOTOR SUPPORT REED SWITCH
92	119 194	FAISCEAU ILS ENTRETOISE	/ MOTOR SUPPORT SAFETY WIRING

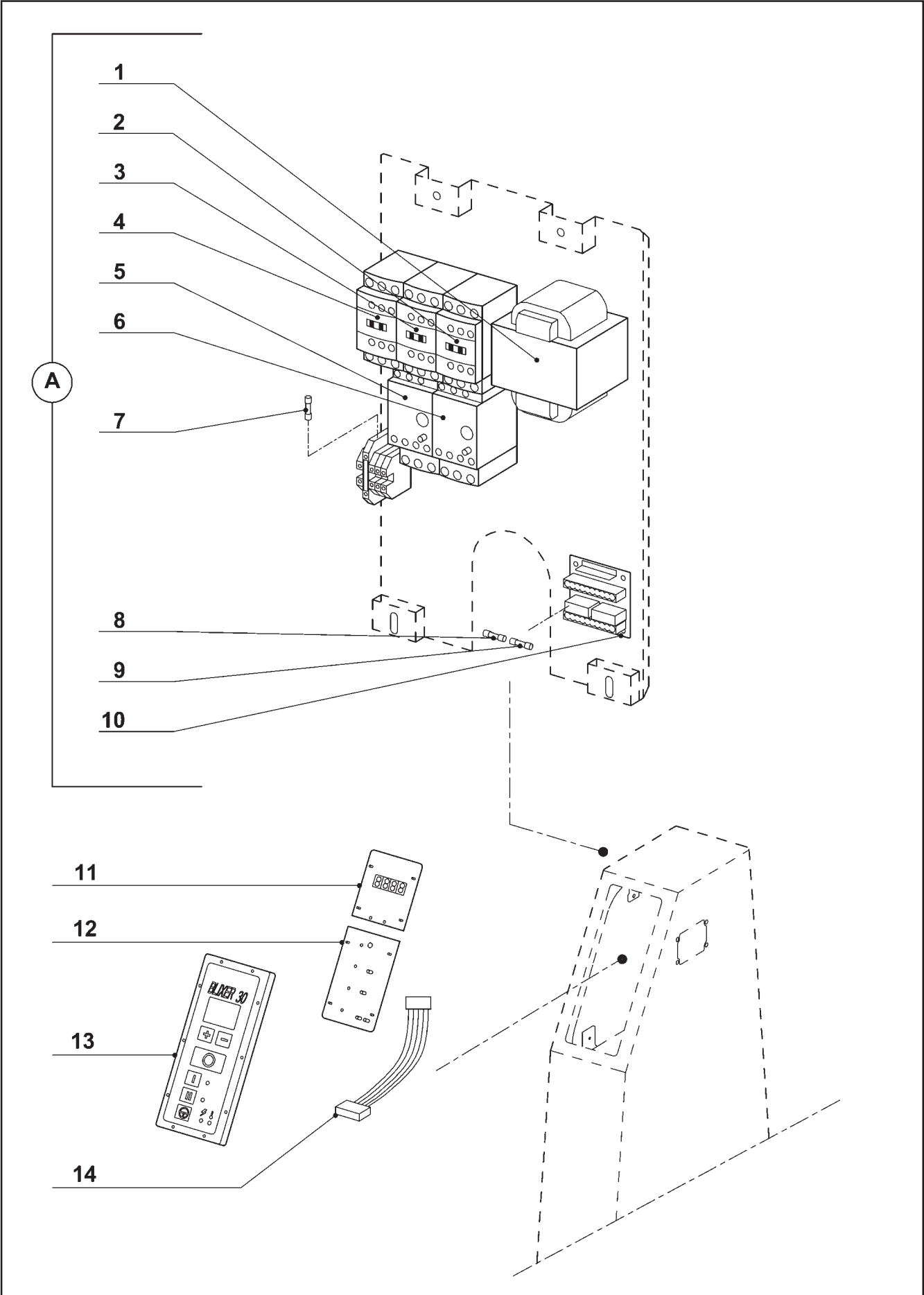


<i>Index</i>	<i>Pièce / Part</i>	<i>Désignation</i>	<i>/ Description</i>
A	117 984	PLATINE DE PUISSANCE	/ POWER CIRCUIT BOARD
1	507 200	TRANSFORMATEUR	/ TRANSFORMER
2	503 364	CONTACTEUR GRANDE VITESSE	/ HIGHT SPEED CONTACTOR
3	503 364	CONTACTEUR PETITE VITESSE	/ LOW SPEED CONTACTOR
4	503 364	CONTACTEUR DE COMMUTATION	/ COMMUTATION CONTACTOR
5	507 202	RELAIS THERMIQUE PETITE VITESSE	/ LOW SPEED THERMAL RELAY
6	507 203	RELAIS THERMIQUE GRANDE VITESSE	/ HIGHT SPEED THERMAL RELAY
7	500 537	FUSIBLE PRIMAIRE 12/24V	/ PRIMARY FUSE 12/24V
8	504 253	FUSIBLE SECONDAIRE 12V	/ SECONDARY FUSE 12V
9	504 253	FUSIBLE SECONDAIRE 24V	/ SECONDARY FUSE 24V
10	117 980	CARTE CONNECTION	/ CONNECTION CARD
11	119 218	CARTE TIMER	/ TIMER CIRCUIT BOARD
12	119 217	CARTE COMMANDE	/ CONTROL CIRCUIT BOARD
13	59 154	ENS. TABLEAU COMMANDE 6 TOUCHES	/ SWITCH PANEL 6 TOUCH PADS
14	117 982	LIMANDE	/ FLAT LINK CABLE

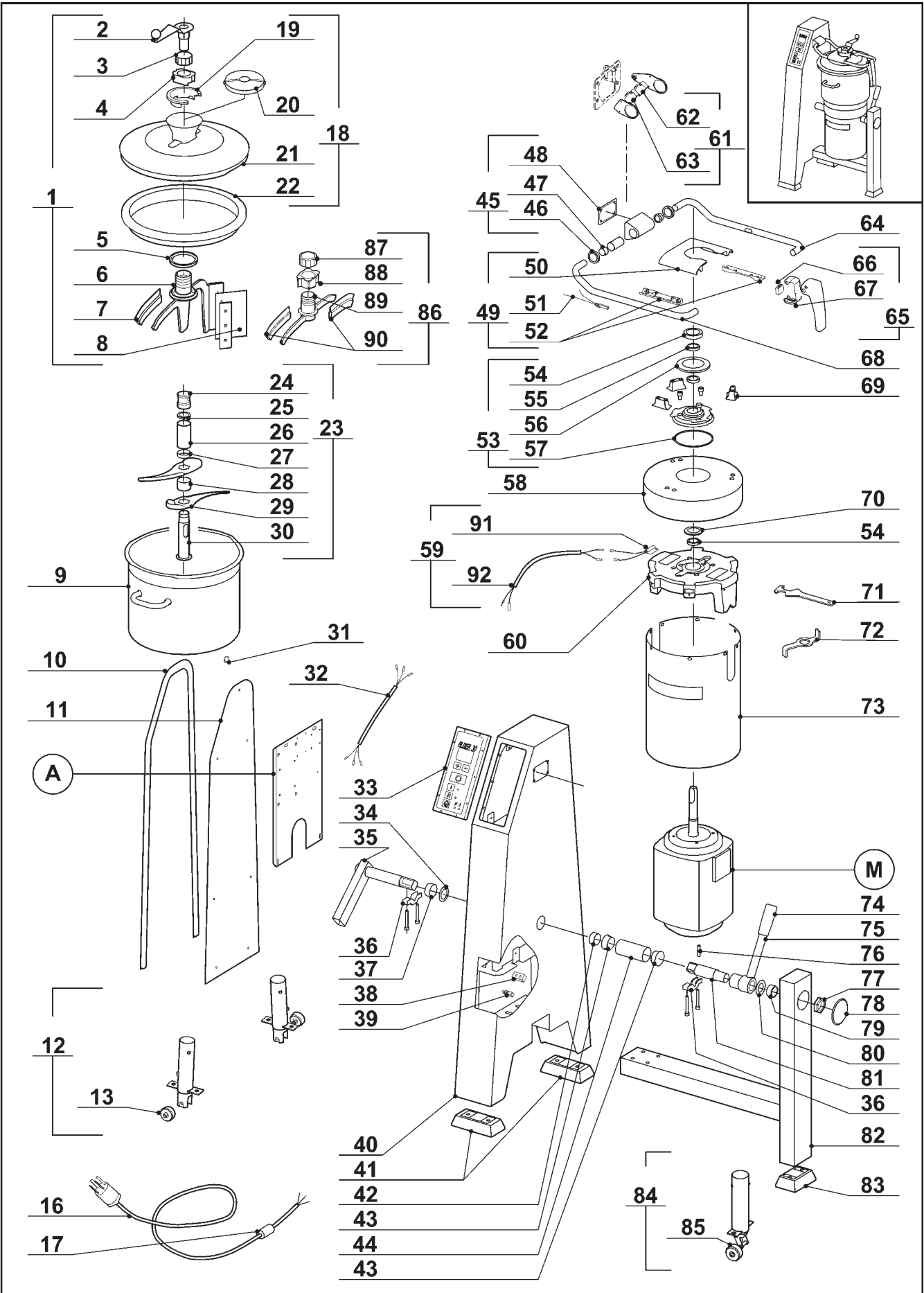


Index	Pièce / Part	Description	/
A	117 988	PLATINE DE PUISSANCE	/ POWER CIRCUIT BOARD
M	303 121	MOTEUR	/ MOTOR
1	59 215	ENS. BRAS BLIXER	/ BLIXER BOWL SCRAPER ASSEMBLY
2	59 166	ENS. MANIVELLE	/ BLIXER HANDLE ASSEMBLY
3	118 227	ECROU ESSUIE COUVERCLE	/ LID WIPER NUT
4	59 218	ENS GUIDE BLIXER	/ BLIXER GUIDE ASSEMBLY
5	119 246	RONDELLE INDEXAGE BLIXER	/ BLIXER INDEXING SPACER
6	119 241	BRAS BLIXER	/ BLIXER ARM
7	118 224	RACLEUR SOUPLE COUVERCLE	/ LID SOFT WIPER
8	59 219	ENS. RACLEUR SOUPLE	/ SOFT SCRAPER ASSEMBLY
9	59 132	ENS. CUVE	/ BOWL ASSEMBLY
10	118 256	JOINT FACE ARRIERE	/ CASING ACCESS DOOR SEAL
11	117 935	FACE ARRIERE	/ CASING ACCESS DOOR
12	59 204	ENS. ROULETTE AR (NM)	/ REAR CASTOR ASSEMBLY (NM)
13	59 210	ENS ROULETTE AR SEULE (NM)	/ SLANTED CASTOR ASSEMBLY (NM)
16	503 266	CABLE	/ POWER CORD
17	59 167	PASSE-FIL	/ POWER CORD PROTECTOR
18	59 126	ENS. COUVERCLE COMPLET	/ COMPLETE LID ASSEMBLY
19	118 100	GUIDE COUVERCLE	/ LID GUIDE
20	118 573	BOUCHON SOUPLE	/ SOFT LID CUP
21	118 178	COUVERCLE PLASTIQUE	/ PLASTIC LID
22	119 184	JOINT COUVERCLE	/ LID SEAL
23	57 076	ENS. COUTEAU BLIXER	/ FINE SERRATED BLADE ASSEMBLY
24	118 202	ECROU COUTEAU	/ BLADE LOCKING NUT
25	118 203	RONDELLE PLASTIQUE	/ PLASTIC WASHER
26	119 131	BAGUE COUTEAU 81mm	/ 81mm BLADE SPACER
27	118 201	BAGUE COUTEAU 10mm	/ 10mm BLADE SPACER
28	118 200	BAGUE COUTEAU 32mm	/ 32mm BLADE SPACER
29	118 240	LAME BLIXER	/ FINE SERRATED STRAIGHT BLADE
30	117 930	SUPPORT COUTEAU	/ BLADE SUPPORT
31	118 171	BOUCHON SECURITE	/ SAFETY PLUG
32	118 127	FAISCEAU ILS BRAS	/ SAFETY WIRING
33	59 140	ENS. CLAVIER	/ CONTROL PANEL ASSEMBLY
34	118 147	RONDELLE APPUI ARRIERE	/ BACK THRUST WASHER
35	59 135	ENS. AXE ARRIERE	/ BACK TILTING PIVOT ASSEMBLY
36	119 214	CAVALIER AXE BASCULEMENT	/ TILTING PIVOT STAPLE
37	118 146	ENTRETOISE AXE ARRIERE	/ BACK TILTING PIVOT SPACER
38	117 959	BUTEE BASCULEMENT	/ TILTING THRUST
39	507 007	SWITCH BASCULEMENT	/ TILTING SAFETY SWITCH
40	117 934	CAISSON	/ CASING
41	118 186	PIED ARRIERE	/ CASING FOOT
42	118 148	DOUILLE PALIER ARRIERE	/ BACK BEARING BUSH
43	118 150	DOUILLE MANCHON	/ SLEEVE BUSH
44	118 149	MANCHON 107mm	/ SLEEVE 107mm
45	59 128	ENS. CHARNIERE	/ HINGE ASSEMBLY
46	501 424	BAGUE ETANCH 20X30	/ SEALING RING 20X30
47	118 126	DOUILLE	/ BUSH
48	118 253	CAME BRAS	/ ARM CAM
49	59 130	ENS. SUPPORT COUVERCLE	/ LID SUPPORT ASSEMBLY
50	118 101	SUPPORT COUVERCLE	/ LID SUPPORT
51	118 132	ILS BRAS	/ ARM REED SWITCH
52	59 131	ENS. PINCES BRAS	/ ARM CLIP ASSEMBLY
53	59 133	ENS. DOUILLE	/ SEALING SOCKET ASSEMBLY
54	507 168	JOINT FACIAL	/ SHAFT SEAL
55	501 105	BAGUE A LEVRE	/ LIP SEAL

<i>Index</i>	<i>Pièce / Part</i>	<i>Description</i>	<i>/</i>
56	118 153	JOINT FOND DE CUVE	/ BOWL SEAL
57	507 050	JOINT TORIQUE	/ O RING
58	118 151	JUPE HAUTE	/ UPPER MOTOR COVER
59	118 157	ILS ENTRETOISE	/ MOTOR SUPPORT REED SWITCH
60	59 197	ENS. ENTRETOISE	/ SPACER ASSEMBLY
61	118 255	JOINT PLAT DE CHARNIERE	/ HINGE FLAT SEAL
62	59 127	ENS. INTER SECURITE	/ SAFETY SWITCH ASSEMBLY
63	118 254	SUPPORT INTERRUPTEUR	/ SWITCH SUPPORT
64	501 258	INTERRUPTEUR SECURITE	/ SAFETY SWITCH
65	119 206	TUBE DROIT	/ RIGHT LID TUBE
66	119 212	CROCHET DE COUVERCLE	/ LID HOOK
67	59 196	ENS POIGNEE COUVERCLE	/ LID HANDLE ASSEMBLY
68	119 207	TUBE GAUCHE	/ LEFT LID TUBE
69	59 165	ENS. APPUI DE CUVE	/ BOWL THRUST ASSEMBLY
70	118 155	DEFLECTEUR MOTEUR	/ MOTOR DEFLECTOR
71	59 950	ENS. TIGE R25	/ PIN ASSEMBLY
72	118 267	DEMONTE COUTEAU	/ KNIFE TOOL
73	118 296	JUPE BASSE	/ BOTTOM MOTOR COVER
74	118 142	POIGNEE	/ HANDLE
75	59 138	ENS. LEVIER DE SERRAGE	/ TILTING LOCKING ASSEMBLY
76	208 582	GOUPILLE	/ PIN
77	118 166	ECROU REGLAGE BASCUL.	/ TILTING ADJUSTING NUT
78	117 956	BOUCHON	/ PLUG
79	118 144	DOUILLE PALIER AVANT	/ FRONT HEASING BUSH
80	118 143	RONDELLE D'APPUI AVANT	/ FRONT THRUST WASHER
81	59 137	ENS. AXE AVANT	/ TILTING FRONT AXLE ASSEMBLY
82	117 936	PIEtement	/ STAND
83	117 958	PIED AVANT	/ STAND FOOT
84	59 203	ENS. ROULETTE AV (NM)	/ FRONT CASTOR ASSEMBLY (NM)
85	59 209	ENS ROULETTE AV SEULE (NM)	/ STRAIGHT CASTOR (NM)
86	59 206	ENS ESSUIE COUVERCLE	/ LID WIPER ASSEMBLY
87	118 227	ECROU ESSUIE COUVERCLE	/ LID WIPER NUT
88	118 228	GUIDE ESSUIE COUVERCLE	/ LID WIPER GUIDE
89	118 221	ESSUIE COUVERCLE	/ LID WIPER
90	118 224	RACLEUR SOUPLE COUVERCLE	/ LID SOFT WIPER

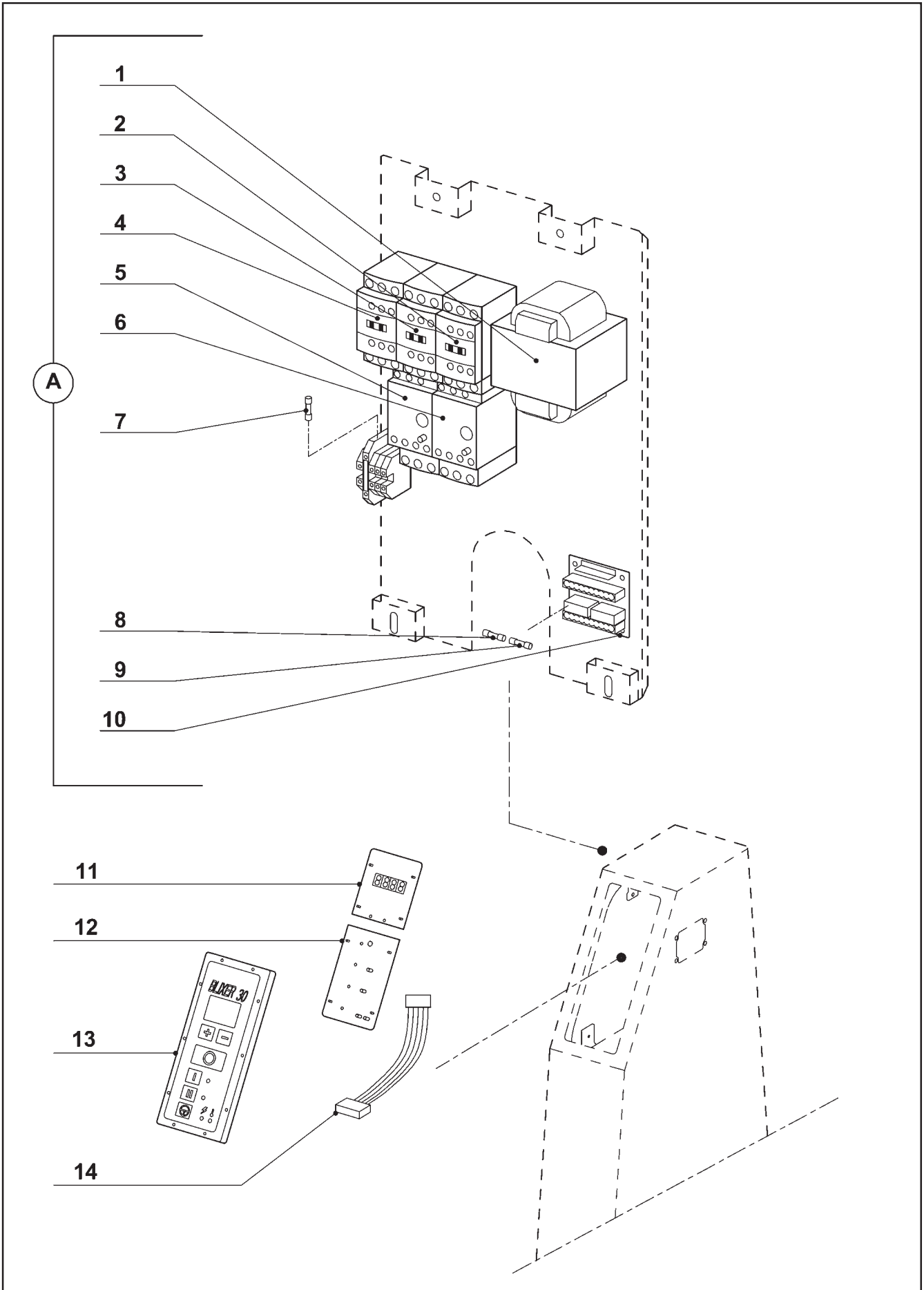


<i>Index</i>	<i>Pièce / Part</i>	<i>Désignation</i>	<i>/ Description</i>
A	117 988	PLATINE DE PUISSANCE	/ POWER CIRCUIT BOARD
1	507 200	TRANSFORMATEUR	/ TRANSFORMER
2	503 362	CONTACTEUR GRANDE VITESSE	/ HIGHT SPEED CONTACTOR
3	503 362	CONTACTEUR PETITE VITESSE	/ LOW SPEED CONTACTOR
4	503 362	CONTACTEUR DE COMMUTATION	/ COMMUTATION CONTACTOR
5	507 203	RELAIS THERMIQUE PETITE VITESSE	/ LOW SPEED THERMAL RELAY
6	507 203	RELAIS THERMIQUE GRANDE VITESSE	/ HIGHT SPEED THERMAL RELAY
7	500 537	FUSIBLE PRIMAIRE 12/24V	/ PRIMARY FUSE 12/24V
8	504 253	FUSIBLE SECONDAIRE 12V	/ SECONDARY FUSE 12V
9	504 253	FUSIBLE SECONDAIRE 24V	/ SECONDARY FUSE 24V
10	117 980	CARTE CONNECTION	/ CONNECTION CARD
11	119 218	CARTE TIMER	/ TIMER CIRCUIT BOARD
12	119 217	CARTE COMMANDE	/ CONTROL CIRCUIT BOARD
13	59 140	ENS. TABLEAU COMMANDE 6 TOUCHES	/ SWITCH PANEL 6 TOUCH PADS
14	117 982	LIMANDE	/ FLAT LINK CABLE

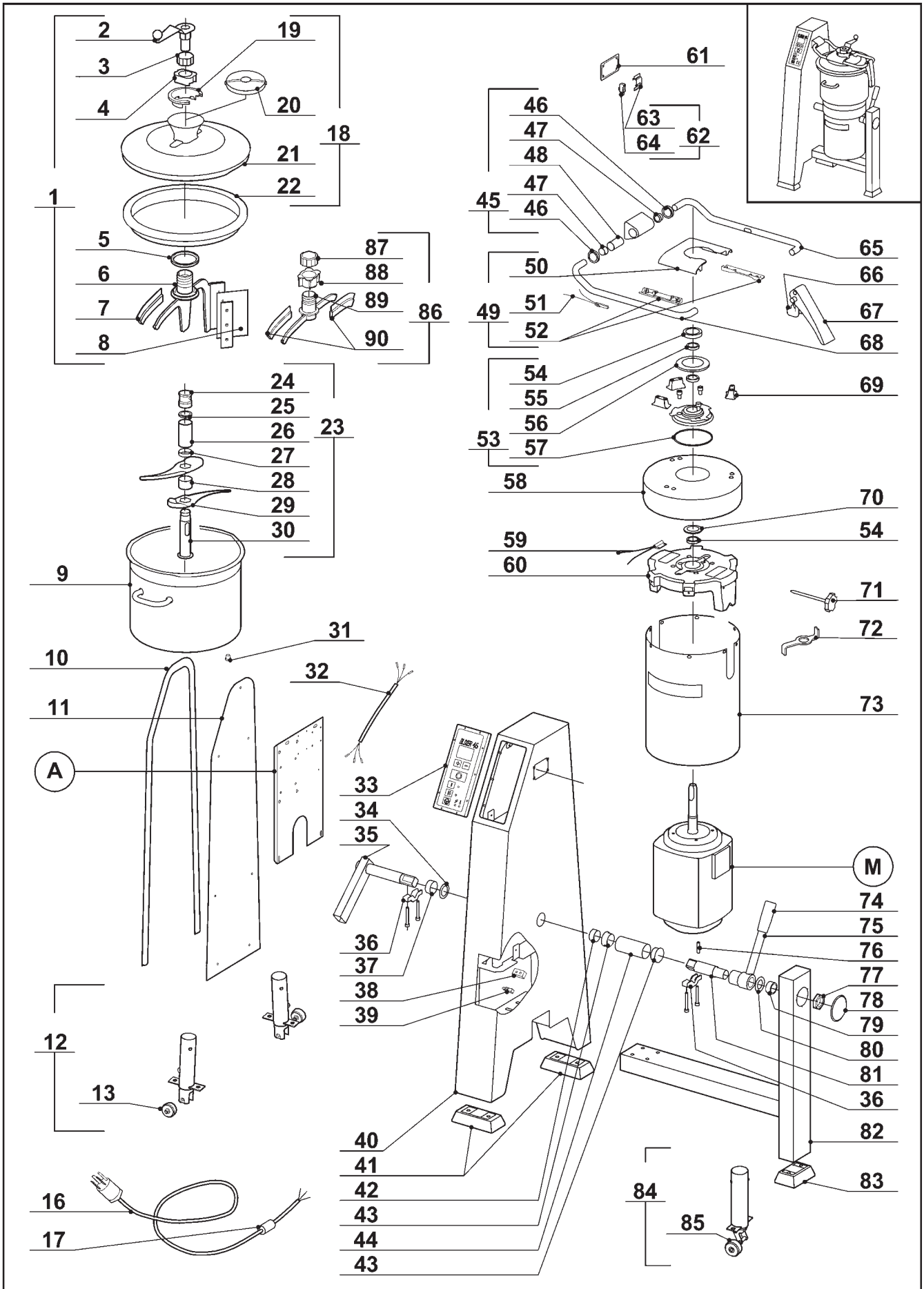


Index	Pièce / Part	Description	/
A	117 988	PLATINE DE PUISSANCE	/ POWER CIRCUIT BOARD
M	303 121	MOTEUR	/ MOTOR
1	59 215	ENS. BRAS BLIXER	/ BLIXER BOWL SCRAPER ASSEMBLY
2	59 166	ENS. MANIVELLE	/ BLIXER HANDLE ASSEMBLY
3	118 227	ECROU ESSUIE COUVERCLE	/ LID WIPER NUT
4	59 218	ENS GUIDE BLIXER	/ BLIXER GUIDE ASSEMBLY
5	119 246	RONDELLE INDEXAGE BLIXER	/ BLIXER INDEXING SPACER
6	119 241	BRAS BLIXER	/ BLIXER ARM
7	118 224	RACLEUR SOUPLE COUVERCLE	/ LID SOFT WIPER
8	59 219	ENS. RACLEUR SOUPLE	/ SOFT SCRAPER ASSEMBLY
9	59 132	ENS. CUVE	/ BOWL ASSEMBLY
10	118 256	JOINT FACE ARRIERE	/ CASING ACCESS DOOR SEAL
11	117 935	FACE ARRIERE	/ CASING ACCESS DOOR
12	59 204	ENS. ROULETTE AR (NM)	/ REAR CASTOR ASSEMBLY (NM)
13	59 210	ENS ROULETTE AR SEULE (NM)	/ SLANTED CASTOR ASSEMBLY (NM)
16	503 266	CABLE	/ POWER CORD
17	59 167	PASSE-FIL	/ POWER CORD PROTECTOR
18	59 275	ENS. COUVERCLE COMPLET	/ COMPLETE LID ASSEMBLY
19	118 100	GUIDE COUVERCLE	/ LID GUIDE
20	118 573	BOUCHON SOUPLE	/ SOFT LID CUP
21	127 524	COUVERCLE PLASTIQUE	/ PLASTIC LID
22	119 264	JOINT COUVERCLE	/ LID SEAL
23	57 076	ENS. COUTEAU BLIXER	/ FINE SERRATED BLADE ASSEMBLY
24	118 202	ECROU COUTEAU	/ BLADE LOCKING NUT
25	118 203	RONDELLE PLASTIQUE	/ PLASTIC WASHER
26	119 131	BAGUE COUTEAU 81mm	/ 81mm BLADE SPACER
27	118 201	BAGUE COUTEAU 10mm	/ 10mm BLADE SPACER
28	118 200	BAGUE COUTEAU 32mm	/ 32mm BLADE SPACER
29	118 240	LAME BLIXER	/ FINE SERRATED STRAIGHT BLADE
30	117 930	SUPPORT COUTEAU	/ BLADE SUPPORT
31	118 171	BOUCHON SECURITE	/ SAFETY PLUG
32	118 127	FAISCEAU ILS BRAS	/ SAFETY WIRING
33	59 140	ENS. CLAVIER	/ CONTROL PANEL ASSEMBLY
34	118 147	RONDELLE APPUI ARRIERE	/ BACK THRUST WASHER
35	59 135	ENS. AXE ARRIERE	/ BACK TILTING PIVOT ASSEMBLY
36	119 214	CAVALIER AXE BASCULEMENT	/ TILTING PIVOT STAPLE
37	118 146	ENTRETOISE AXE ARRIERE	/ BACK TILTING PIVOT SPACER
38	117 959	BUTEE BASCULEMENT	/ TILTING THRUST
39	507 007	SWITCH BASCULEMENT	/ TILTING SAFETY SWITCH
40	117 934	CAISSON	/ CASING
41	118 186	PIED ARRIERE	/ CASING FOOT
42	118 148	DOUILLE PALIER ARRIERE	/ BACK BEARING BUSH
43	118 150	DOUILLE MANCHON	/ SLEEVE BUSH
44	118 149	MANCHON 107mm	/ SLEEVE 107mm
45	59 128	ENS. CHARNIERE	/ HINGE ASSEMBLY
46	501 424	BAGUE ETANCH 20X30	/ SEALING RING 20X30
47	118 126	DOUILLE	/ BUSH
48	118 255	JOINT PLAT DE CHARNIERE	/ HINGE FLAT SEAL
49	59 130	ENS. SUPPORT COUVERCLE	/ LID SUPPORT ASSEMBLY
50	118 101	SUPPORT COUVERCLE	/ LID SUPPORT
51	118 132	ILS BRAS	/ ARM REED SWITCH
52	59 131	ENS. PINCES BRAS	/ ARM CLIP ASSEMBLY
53	59 133	ENS. DOUILLE	/ SEALING SOCKET ASSEMBLY
54	507 168	JOINT FACIAL	/ SHAFT SEAL
55	501 105	BAGUE A LEVRE	/ LIP SEAL

Index	Pièce / Part	Description	/
56	118 153	JOINT FOND DE CUVE	/ BOWL SEAL
57	507 050	JOINT TORIQUE	/ O RING
58	118 151	JUPE HAUTE	/ UPPER MOTOR COVER
59	118 157	ENS ILS ENTRETOISE	/ MOTOR SUPPORT REED SWITCH ASSEMBLY
60	59 197	ENS. ENTRETOISE	/ SPACER ASSEMBLY
61	59 272	ENS. INTER SECURITE	/ SAFETY SWITCH ASSEMBLY
62	501 258	INTERRUPTEUR SECURITE NF	/ NC SAFETY SWITCH
63	507 250	INTERRUPTEUR SECURITE NO	/ NO SAFETY SWITCH
64	119 206	TUBE DROIT	/ RIGHT LID TUBE
65	59 273	ENS POIGNEE	/ LID HANDLE ASSEMBLY
66	119 259	BUTEE DE CROCHET	/ HOOK PROTECTION
67	119 267	CROCHET DE COUVERCLE	/ LID HOOK
68	119 207	TUBE GAUCHE	/ LEFT LID TUBE
69	59 165	ENS. APPUI DE CUVE	/ BOWL THRUST ASSEMBLY
70	118 155	DEFLECTEUR MOTEUR	/ MOTOR DEFLECTOR
71	59 950	CLEF DEMONTE COUTEAU	/ KNIFE NUT TOOL
72	118 267	DEMONTE COUTEAU	/ KNIFE TOOL
73	118 296	JUPE BASSE	/ BOTTOM MOTOR COVER
74	118 142	POIGNEE	/ HANDLE
75	59 138	ENS. LEVIER DE SERRAGE	/ TILTING LOCKING ASSEMBLY
76	208 582	GOUPILLE	/ PIN
77	118 166	ECROU REGLAGE BASCUL.	/ TILTING ADJUSTING NUT
78	117 956	BOUCHON	/ PLUG
79	118 144	DOUILLE PALIER AVANT	/ FRONT HEASING BUSH
80	118 143	RONDELLE D'APPUI AVANT	/ FRONT THRUST WASHER
81	59 137	ENS. AXE AVANT	/ TILTING FRONT AXLE ASSEMBLY
82	117 936	PIEtement	/ STAND
83	117 958	PIED AVANT	/ STAND FOOT
84	59 203	ENS. ROULETTE AV (NM)	/ FRONT CASTOR ASSEMBLY (NM)
85	59 209	ENS ROULETTE AV SEULE (NM)	/ STRAIGHT CASTOR (NM)
86	59 206	ENS ESSUIE COUVERCLE	/ LID WIPER ASSEMBLY
87	118 227	ECROU ESSUIE COUVERCLE	/ LID WIPER NUT
88	118 228	GUIDE ESSUIE COUVERCLE	/ LID WIPER GUIDE
89	118 221	ESSUIE COUVERCLE	/ LID WIPER
90	118 224	RACLEUR SOUPLE COUVERCLE	/ LID SOFT WIPER
91	119 199	ILS ENTRETOISE	/ MOTOR SUPPORT REED SWITCH
92	119 194	FAISCEAU ILS ENTRETOISE	/ MOTOR SUPPORT SAFETY WIRING

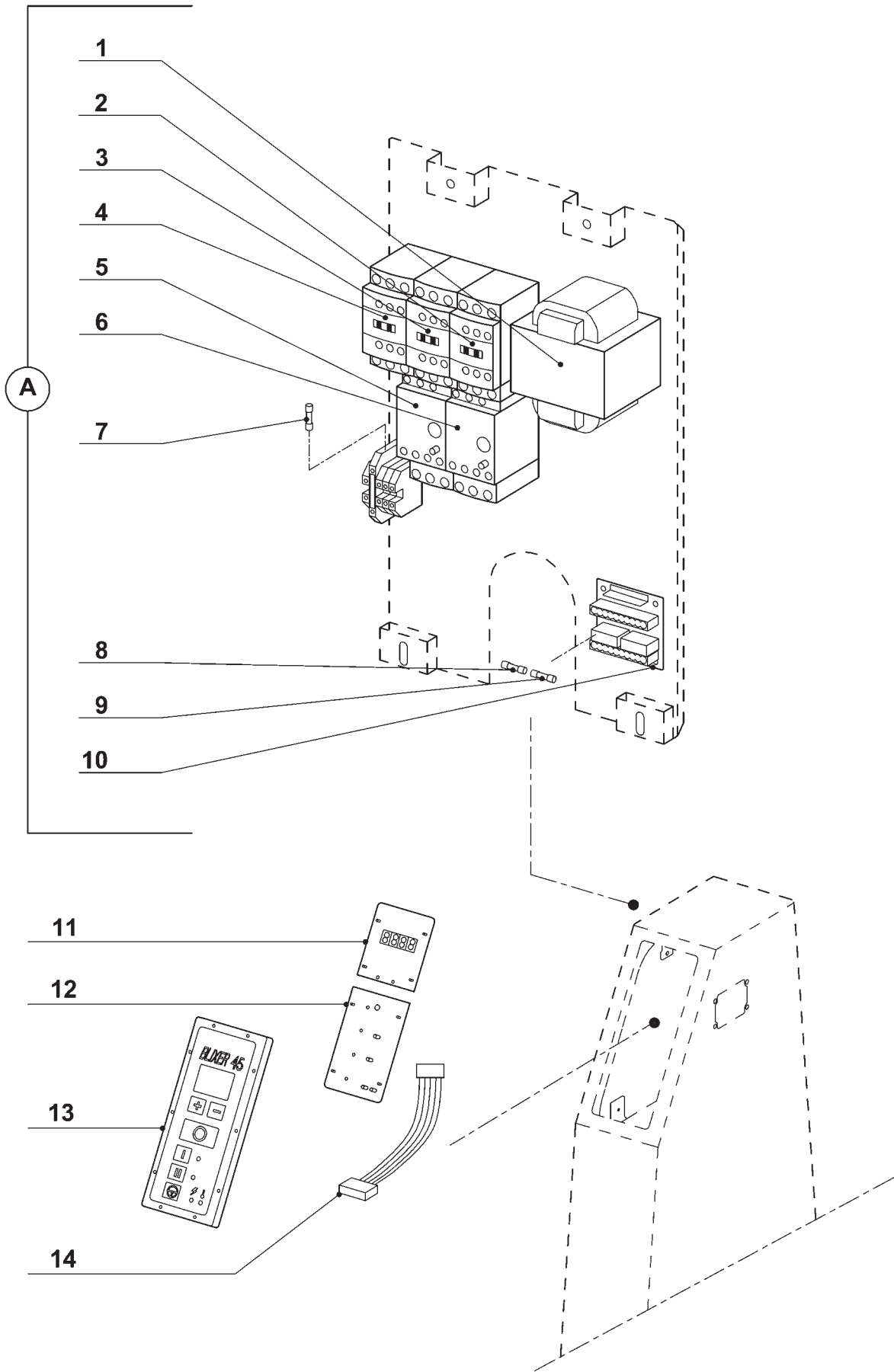


<i>Index</i>	<i>Pièce / Part</i>	<i>Désignation</i>	<i>Description</i>
A	117 988	PLATINE DE PUISSANCE	/ POWER CIRCUIT BOARD
1	507 200	TRANSFORMATEUR	/ TRANSFORMER
2	503 362	CONTACTEUR GRANDE VITESSE	/ HIGHT SPEED CONTACTOR
3	503 362	CONTACTEUR PETITE VITESSE	/ LOW SPEED CONTACTOR
4	503 362	CONTACTEUR DE COMMUTATION	/ COMMUTATION CONTACTOR
5	507 203	RELAIS THERMIQUE PETITE VITESSE	/ LOW SPEED THERMAL RELAY
6	507 203	RELAIS THERMIQUE GRANDE VITESSE	/ HIGHT SPEED THERMAL RELAY
7	500 537	FUSIBLE PRIMAIRE 12/24V	/ PRIMARY FUSE 12/24V
8	504 253	FUSIBLE SECONDAIRE 12V	/ SECONDARY FUSE 12V
9	504 253	FUSIBLE SECONDAIRE 24V	/ SECONDARY FUSE 24V
10	117 980	CARTE CONNECTION	/ CONNECTION CARD
11	119 218	CARTE TIMER	/ TIMER CIRCUIT BOARD
12	119 217	CARTE COMMANDE	/ CONTROL CIRCUIT BOARD
13	59 140	ENS. TABLEAU COMMANDE 6 TOUCHES	/ SWITCH PANEL 6 TOUCH PADS
14	117 982	LIMANDE	/ FLAT LINK CABLE

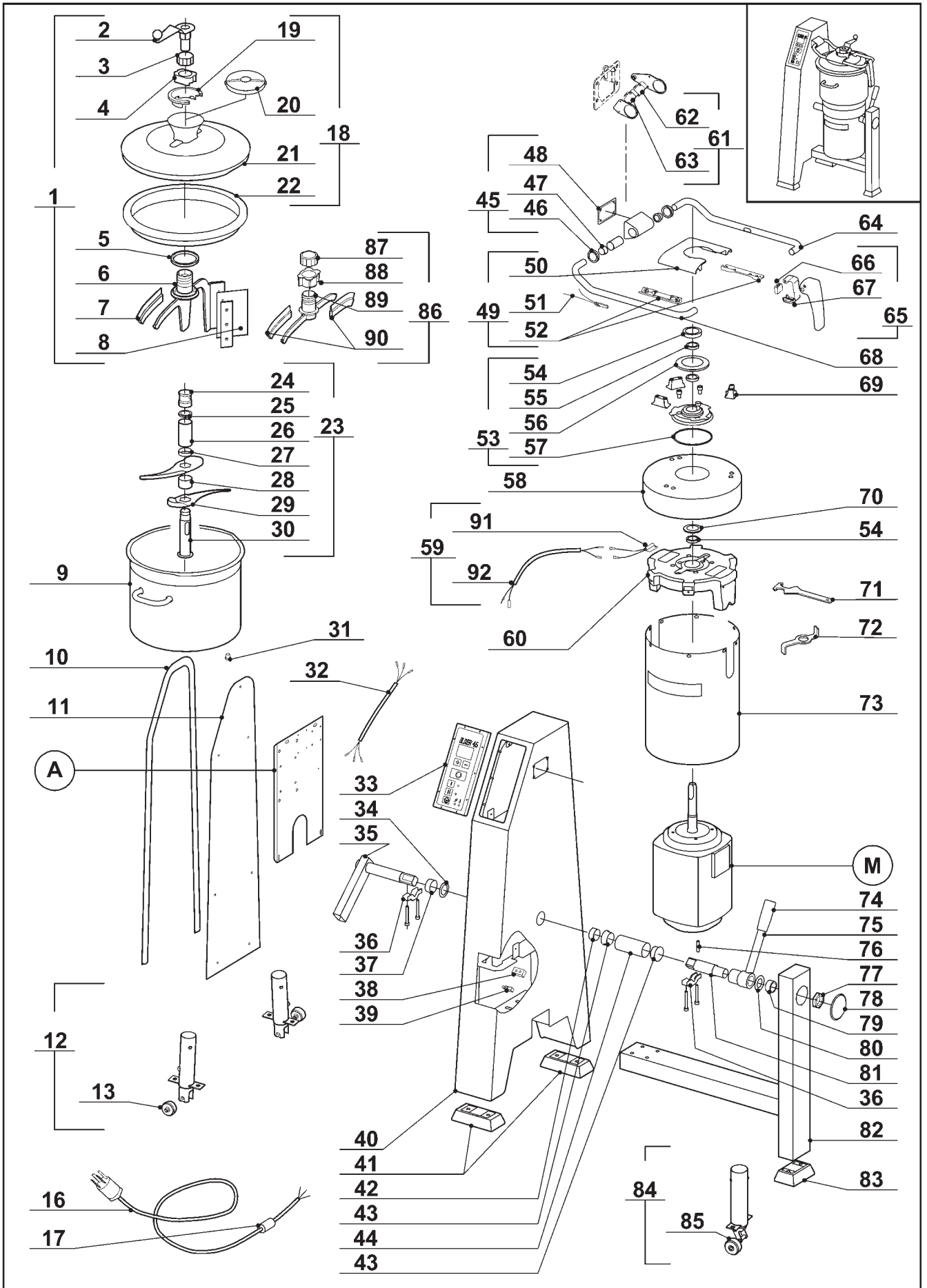


Index	Pièce / Part	Description	/
A	117 992	PLATINE DE PUISSANCE	/ POWER CIRCUIT BOARD
M	303 122	MOTEUR	/ MOTOR
1	59 216	ENS. BRAS BLIXER	/ BLIXER BOWL SCRAPER ASSEMBLY
2	59 166	ENS. MANIVELLE	/ BLIXER HANDLE ASSEMBLY
3	118 227	ECROU ESSUIE COUVERCLE	/ LID WIPER NUT
4	59 218	ENS GUIDE BLIXER	/ BLIXER GUIDE ASSEMBLY
5	119 246	RONDELLE INDEXAGE BLIXER	/ BLIXER INDEXING SPACER
6	119 242	BRAS BLIXER	/ BLIXER ARM
7	118 225	RACLEUR SOUPLE COUVERCLE	/ LID SOFT WIPER
8	59 220	ENS. RACLEUR SOUPLE	/ SOFT SCRAPER ASSEMBLY
9	59 142	ENS. CUVE	/ BOWL ASSEMBLY
10	118 257	JOINT FACE ARRIERE	/ CASING ACCESS DOOR SEAL
11	117 940	FACE ARRIERE	/ CASING ACCESS DOOR
12	59 204	ENS. ROULETTE AR (NM)	/ REAR CASTOR ASSEMBLY (NM)
13	59 210	ENS ROULETTE AR SEULE (NM)	/ SLANTED CASTOR ASSEMBLY (NM)
16	503 265	CABLE	/ POWER CORD
17	59 167	PASSE-FIL	/ POWER CORD PROTECTOR
18	59 141	ENS. COUVERCLE COMPLET	/ COMPLETE LID ASSEMBLY
19	118 100	GUIDE COUVERCLE	/ LID GUIDE
20	118 573	BOUCHON SOUPLE	/ SOFT LID CUP
21	118 179	COUVERCLE PLASTIQUE	/ PLASTIC LID
22	119 185	JOINT COUVERCLE	/ LID SEAL
23	57 083	ENS. COUTEAU BLIXER	/ FINE SERRATED BLADE ASSEMBLY
24	118 206	ECROU COUTEAU	/ BLADE LOCKING NUT
25	118 207	RONDELLE PLASTIQUE	/ PLASTIC WASHER
26	119 132	BAGUE COUTEAU 111mm	/ 111mm BLADE SPACER
27	118 204	BAGUE COUTEAU 14mm	/ 14mm BLADE SPACER
28	118 205	BAGUE COUTEAU 43mm	/ 43mm BLADE SPACER
29	118 242	LAME BLIXER	/ FINE SERRATED STRAIGHT BLADE
30	117 932	SUPPORT COUTEAU	/ BLADE SUPPORT
31	118 171	BOUCHON SECURITE	/ SAFETY PLUG
32	118 127	FAISCEAU ILS BRAS	/ SAFETY WIRING
33	59 146	ENS. CLAVIER	/ CONTROL PANEL ASSEMBLY
34	118 147	RONDELLE APPUI ARRIERE	/ BACK THRUST WASHER
35	59 135	ENS. AXE ARRIERE	/ BACK TILTING PIVOT ASSEMBLY
36	119 214	CAVALIER AXE BASCULEMENT	/ TILTING PIVOT STAPLE
37	118 146	ENTRETOISE AXE ARRIERE	/ BACK TILTING PIVOT SPACER
38	117 959	BUTEE BASCULEMENT	/ TILTING THRUST
39	507 007	SWITCH BASCULEMENT	/ TILTING SAFETY SWITCH
40	117 939	CAISSON	/ CASING
41	118 186	PIED ARRIERE	/ CASING FOOT
42	118 148	DOUILLE PALIER ARRIERE	/ BACK BEARING BUSH
43	118 150	DOUILLE MANCHON	/ SLEEVE BUSH
44	118 149	MANCHON 107mm	/ SLEEVE 107mm
45	59 128	ENS. CHARNIERE	/ HINGE ASSEMBLY
46	501 424	BAGUE ETANCH 20X30	/ SEALING RING 20X30
47	118 126	DOUILLE	/ BUSH
48	118 253	CAME BRAS	/ ARM CAM
49	59 130	ENS. SUPPORT COUVERCLE	/ LID SUPPORT ASSEMBLY
50	118 101	SUPPORT COUVERCLE	/ LID SUPPORT
51	118 132	ILS BRAS	/ ARM REED SWITCH
52	59 131	ENS. PINCES BRAS	/ ARM CLIP ASSEMBLY
53	59 143	ENS. DOUILLE	/ SEALING SOCKET ASSEMBLY
54	59 168	JOINT FACIAL	/ SHAFT SEAL
55	507 054	BAGUE A LEVRE	/ LIP SEAL

<i>Index</i>	<i>Pièce / Part</i>	<i>Description</i>	<i>/</i>
56	118 153	JOINT FOND DE CUVE	/ BOWL SEAL
57	507 050	JOINT TORIQUE	/ O RING
58	118 175	JUPE HAUTE	/ UPPER MOTOR COVER
59	118 157	ILS ENTRETOISE	/ MOTOR SUPPORT REED SWITCH
60	59 198	ENS. ENTRETOISE	/ SPACER ASSEMBLY
61	118 255	JOINT PLAT DE CHARNIERE	/ HINGE FLAT SEAL
62	59 127	ENS. INTER SECURITE	/ SAFETY SWITCH ASSEMBLY
63	118 254	SUPPORT INTERRUPTEUR	/ SWITCH SUPPORT
64	501 258	INTERRUPTEUR SECURITE	/ SAFETY SWITCH
65	119 208	TUBE DROIT	/ RIGHT LID TUBE
66	119 212	CROCHET DE COUVERCLE	/ LID HOOK
67	59 196	ENS POIGNEE COUVERCLE	/ LID HANDLE ASSEMBLY
68	119 209	TUBE GAUCHE	/ LEFT LID TUBE
69	59 165	ENS. APPUI DE CUVE	/ BOWL THRUST ASSEMBLY
70	118 174	DEFLECTEUR MOTEUR	/ MOTOR DEFLECTOR
71	59 950	ENS. TIGE R25	/ PIN ASSEMBLY
72	118 268	DEMONTE COUTEAU	/ KNIFE TOOL
73	118 297	JUPE BASSE	/ BOTTOM MOTOR COVER
74	118 142	POIGNEE	/ HANDLE
75	59 138	ENS. LEVIER DE SERRAGE	/ TILTING LOCKING ASSEMBLY
76	208 582	GOUPILLE	/ PIN
77	118 166	ECROU REGLAGE BASCUL.	/ TILTING ADJUSTING NUT
78	117 956	BOUCHON	/ PLUG
79	118 144	DOUILLE PALIER AVANT	/ FRONT HEASING BUSH
80	118 143	RONDELLE D'APPUI AVANT	/ FRONT THRUST WASHER
81	59 137	ENS. AXE AVANT	/ TILTING FRONT AXLE ASSEMBLY
82	117 941	PIEtement	/ STAND
83	117 958	PIED AVANT	/ STAND FOOT
84	59 203	ENS. ROULETTE AV (NM)	/ FRONT CASTOR ASSEMBLY (NM)
85	59 209	ENS ROULETTE AV SEULE (NM)	/ STRAIGHT CASTOR (NM)
86	59 207	ENS ESSUIE COUVERCLE	/ LID WIPER ASSEMBLY
87	118 227	ECROU ESSUIE COUVERCLE	/ LID WIPER NUT
88	118 228	GUIDE ESSUIE COUVERCLE	/ LID WIPER GUIDE
89	118 222	ESSUIE COUVERCLE	/ LID WIPER
90	118 225	RACLEUR SOUPLE COUVERCLE	/ LID SOFT WIPER

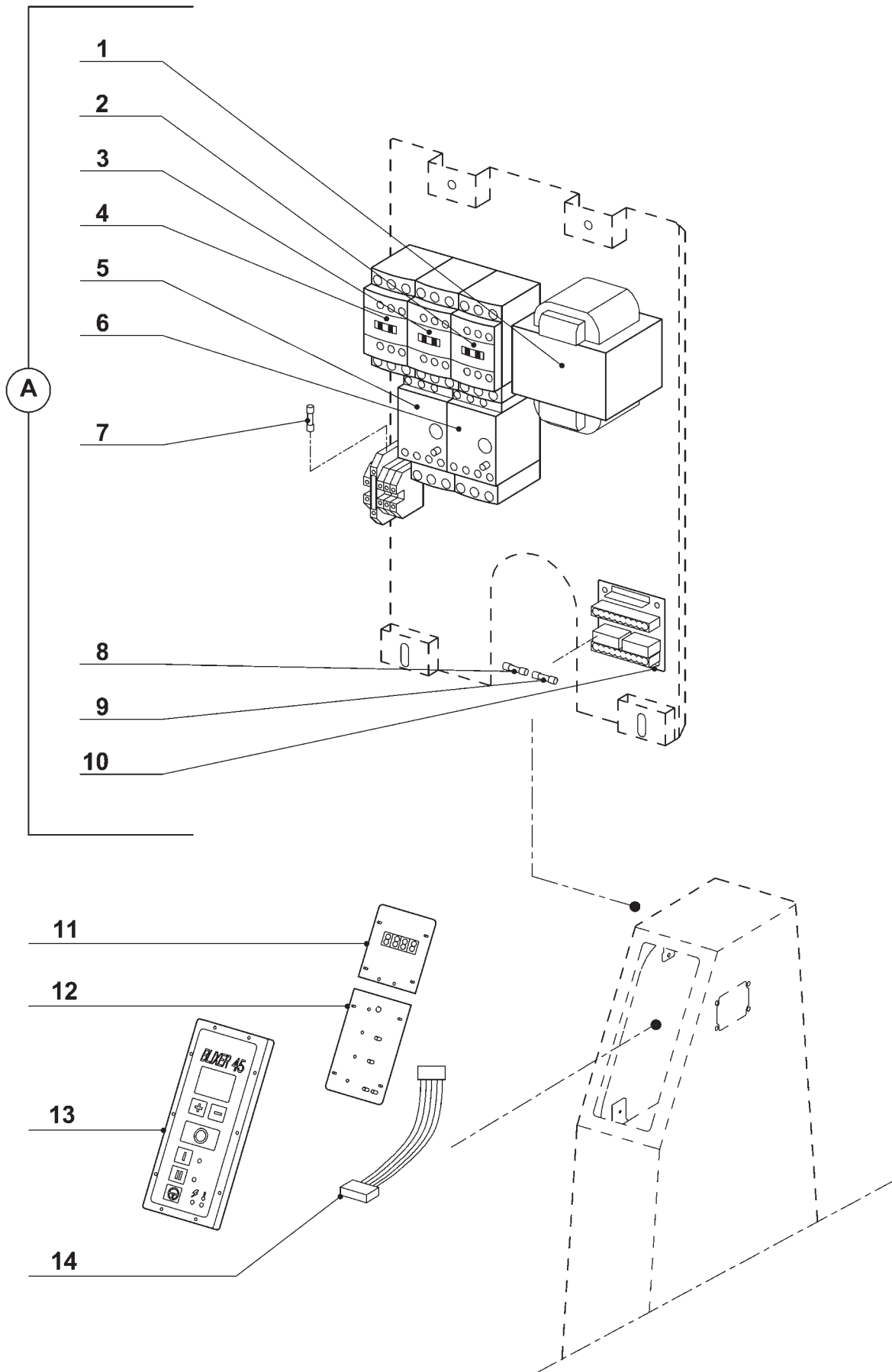


<i>Index</i>	<i>Pièce / Part</i>	<i>Désignation</i>	<i>Description</i>
A	117 992	PLATINE DE PUISSANCE	/ POWER CIRCUIT BOARD
1	507 200	TRANSFORMATEUR	/ TRANSFORMER
2	503 688	CONTACTEUR GRANDE VITESSE	/ HIGHT SPEED CONTACTOR
3	503 969	CONTACTEUR PETITE VITESSE	/ LOW SPEED CONTACTOR
4	503 969	CONTACTEUR DE COMMUTATION	/ COMMUTATION CONTACTOR
5	507 204	RELAIS THERMIQUE PETITE VITESSE	/ LOW SPEED THERMAL RELAY
6	507 205	RELAIS THERMIQUE GRANDE VITESSE	/ HIGHT SPEED THERMAL RELAY
7	500 537	FUSIBLE PRIMAIRE 12/24V	/ PRIMARY FUSE 12/24V
8	504 253	FUSIBLE SECONDAIRE 12V	/ SECONDARY FUSE 12V
9	504 253	FUSIBLE SECONDAIRE 24V	/ SECONDARY FUSE 24V
10	117 980	CARTE CONNECTION	/ CONNECTION CARD
11	119 218	CARTE TIMER	/ TIMER CIRCUIT BOARD
12	119 217	CARTE COMMANDE	/ CONTROL CIRCUIT BOARD
13	59 146	ENS. TABLEAU COMMANDE 6 TOUCHES	/ SWITCH PANEL 6 TOUCH PADS
14	117 982	LIMANDE	/ FLAT LINK CABLE

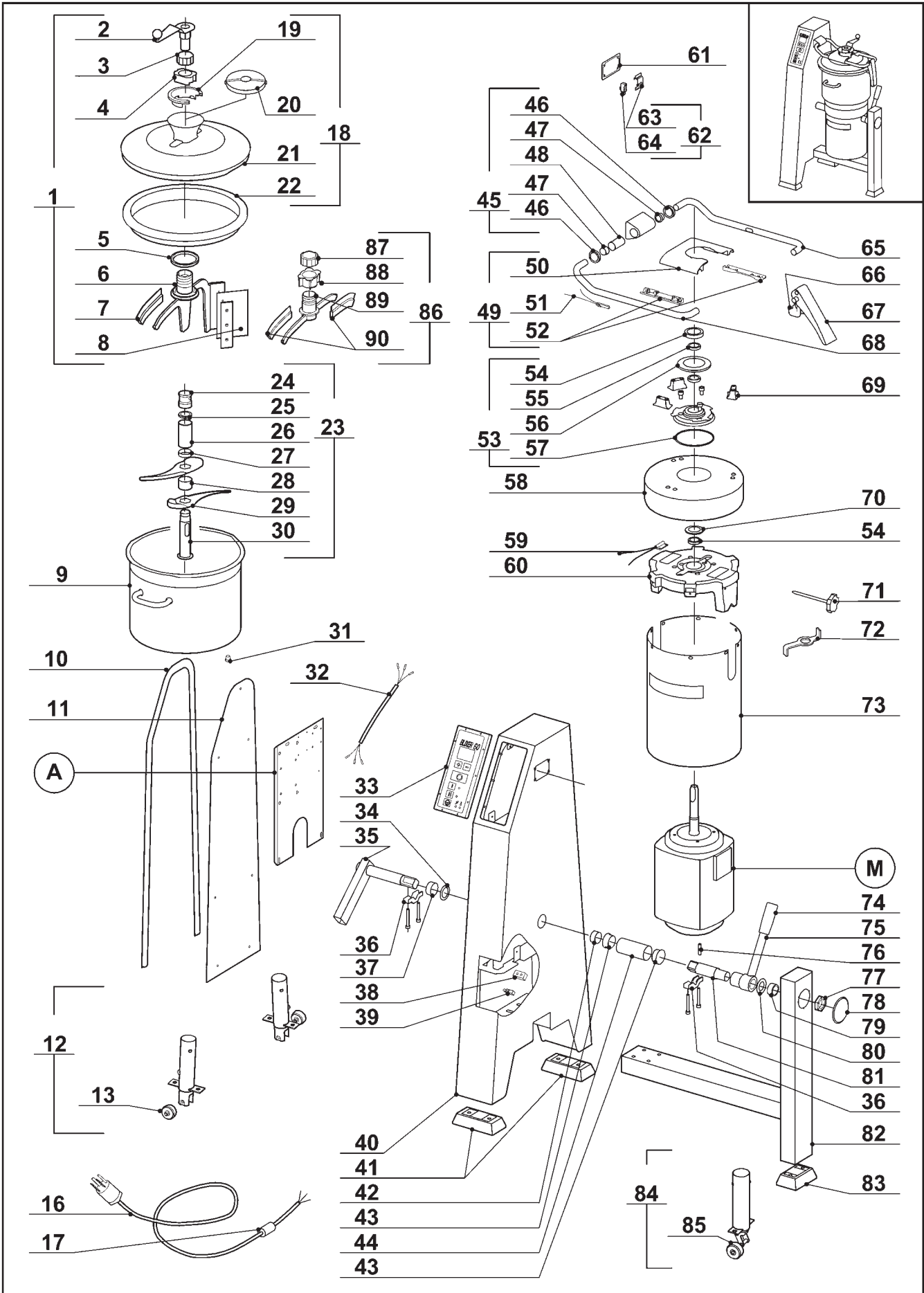


<i>Index</i>	<i>Pièce / Part</i>	<i>Description</i>	<i>/</i>
A	117 992	PLATINE DE PUISSANCE	/ POWER CIRCUIT BOARD
M	303 122	MOTEUR	/ MOTOR
1	59 216	ENS. BRAS BLIXER	/ BLIXER BOWL SCRAPER ASSEMBLY
2	59 166	ENS. MANIVELLE	/ BLIXER HANDLE ASSEMBLY
3	118 227	ECROU ESSUIE COUVERCLE	/ LID WIPER NUT
4	59 218	ENS GUIDE BLIXER	/ BLIXER GUIDE ASSEMBLY
5	119 246	RONDELLE INDEXAGE BLIXER	/ BLIXER INDEXING SPACER
6	119 242	BRAS BLIXER	/ BLIXER ARM
7	118 225	RACLEUR SOUPLE COUVERCLE	/ LID SOFT WIPER
8	59 220	ENS. RACLEUR SOUPLE	/ SOFT SCRAPER ASSEMBLY
9	59 142	ENS. CUVE	/ BOWL ASSEMBLY
10	118 257	JOINT FACE ARRIERE	/ CASING ACCESS DOOR SEAL
11	117 940	FACE ARRIERE	/ CASING ACCESS DOOR
12	59 204	ENS. ROULETTE AR (NM)	/ REAR CASTOR ASSEMBLY (NM)
13	59 210	ENS ROULETTE AR SEULE (NM)	/ SLANTED CASTOR ASSEMBLY (NM)
16	503 265	CABLE	/ POWER CORD
17	59 167	PASSE-FIL	/ POWER CORD PROTECTOR
18	59 276	ENS. COUVERCLE COMPLET	/ COMPLETE LID ASSEMBLY
19	118 100	GUIDE COUVERCLE	/ LID GUIDE
20	118 573	BOUCHON SOUPLE	/ SOFT LID CUP
21	127 525	COUVERCLE PLASTIQUE	/ PLASTIC LID
22	119 265	JOINT COUVERCLE	/ LID SEAL
23	57 083	ENS. COUTEAU BLIXER	/ FINE SERRATED BLADE ASSEMBLY
24	118 206	ECROU COUTEAU	/ BLADE LOCKING NUT
25	118 207	RONDELLE PLASTIQUE	/ PLASTIC WASHER
26	119 132	BAGUE COUTEAU 111mm	/ 111mm BLADE SPACER
27	118 204	BAGUE COUTEAU 14mm	/ 14mm BLADE SPACER
28	118 205	BAGUE COUTEAU 43mm	/ 43mm BLADE SPACER
29	118 242	LAME BLIXER	/ FINE SERRATED STRAIGHT BLADE
30	117 932	SUPPORT COUTEAU	/ BLADE SUPPORT
31	118 171	BOUCHON SECURITE	/ SAFETY PLUG
32	118 127	FAISCEAU ILS BRAS	/ SAFETY WIRING
33	59 146	ENS. CLAVIER	/ CONTROL PANEL ASSEMBLY
34	118 147	RONDELLE APPUI ARRIERE	/ BACK THRUST WASHER
35	59 135	ENS. AXE ARRIERE	/ BACK TILTING PIVOT ASSEMBLY
36	119 214	CAVALIER AXE BASCULEMENT	/ TILTING PIVOT STAPLE
37	118 146	ENTRETOISE AXE ARRIERE	/ BACK TILTING PIVOT SPACER
38	117 959	BUTEE BASCULEMENT	/ TILTING THRUST
39	507 007	SWITCH BASCULEMENT	/ TILTING SAFETY SWITCH
40	117 939	CAISSON	/ CASING
41	118 186	PIED ARRIERE	/ CASING FOOT
42	118 148	DOUILLE PALIER ARRIERE	/ BACK BEARING BUSH
43	118 150	DOUILLE MANCHON	/ SLEEVE BUSH
44	118 149	MANCHON 107mm	/ SLEEVE 107mm
45	59 128	ENS. CHARNIERE	/ HINGE ASSEMBLY
46	501 424	BAGUE ETANCH 20X30	/ SEALING RING 20X30
47	118 126	DOUILLE	/ BUSH
48	118 255	JOINT PLAT DE CHARNIERE	/ HINGE FLAT SEAL
49	59 130	ENS. SUPPORT COUVERCLE	/ LID SUPPORT ASSEMBLY
50	118 101	SUPPORT COUVERCLE	/ LID SUPPORT
51	118 132	ILS BRAS	/ ARM REED SWITCH
52	59 131	ENS. PINCES BRAS	/ ARM CLIP ASSEMBLY
53	59 143	ENS. DOUILLE	/ SEALING SOCKET ASSEMBLY
54	59 168	JOINT FACIAL	/ SHAFT SEAL
55	507 054	BAGUE A LEVRE	/ LIP SEAL

Index	Pièce / Part	Description	/
56	118 153	JOINT FOND DE CUVE	/ BOWL SEAL
57	507 050	JOINT TORIQUE	/ O RING
58	118 175	JUPE HAUTE	/ UPPER MOTOR COVER
59	118 157	ENS ILS ENTRETOISE	/ MOTOR SUPPORT REED SWITCH ASSEMBLY
60	59 198	ENS. ENTRETOISE	/ SPACER ASSEMBLY
61	59 272	ENS. INTER SECURITE	/ SAFETY SWITCH ASSEMBLY
62	501 258	INTERRUPTEUR SECURITE NF	/ NC SAFETY SWITCH
63	507 250	INTERRUPTEUR SECURITE NO	/ NO SAFETY SWITCH
64	119 208	TUBE DROIT	/ RIGHT LID TUBE
65	59 273	ENS POIGNEE	/ LID HANDLE ASSEMBLY
66	119 259	BUTEE DE CROCHET	/ HOOK PROTECTION
67	119 267	CROCHET DE COUVERCLE	/ LID HOOK
68	119 209	TUBE GAUCHE	/ LEFT LID TUBE
69	59 165	ENS. APPUI DE CUVE	/ BOWL THRUST ASSEMBLY
70	118 174	DEFLECTEUR MOTEUR	/ MOTOR DEFLECTOR
71	59 950	CLEF DEMONTE COUTEAU	/ KNIFE NUT TOOL
72	118 268	DEMONTE COUTEAU	/ KNIFE TOOL
73	118 297	JUPE BASSE	/ BOTTOM MOTOR COVER
74	118 142	POIGNEE	/ HANDLE
75	59 138	ENS. LEVIER DE SERRAGE	/ TILTING LOCKING ASSEMBLY
76	208 582	GOUPILLE	/ PIN
77	118 166	ECROU REGLAGE BASCUL.	/ TILTING ADJUSTING NUT
78	117 956	BOUCHON	/ PLUG
79	118 144	DOUILLE PALIER AVANT	/ FRONT HEASING BUSH
80	118 143	RONDELLE D'APPUI AVANT	/ FRONT THRUST WASHER
81	59 137	ENS. AXE AVANT	/ TILTING FRONT AXLE ASSEMBLY
82	117 941	PIETEMENT	/ STAND
83	117 958	PIED AVANT	/ STAND FOOT
84	59 203	ENS. ROULETTE AV (NM)	/ FRONT CASTOR ASSEMBLY (NM)
85	59 209	ENS ROULETTE AV SEULE (NM)	/ STRAIGHT CASTOR (NM)
86	59 207	ENS ESSUIE COUVERCLE	/ LID WIPER ASSEMBLY
87	118 227	ECROU ESSUIE COUVERCLE	/ LID WIPER NUT
88	118 228	GUIDE ESSUIE COUVERCLE	/ LID WIPER GUIDE
89	118 222	ESSUIE COUVERCLE	/ LID WIPER
90	118 225	RACLEUR SOUPLE COUVERCLE	/ LID SOFT WIPER
91	119 199	ILS ENTRETOISE	/ MOTOR SUPPORT REED SWITCH
92	119 194	FAISCEAU ILS ENTRETOISE	/ MOTOR SUPPORT SAFETY WIRING

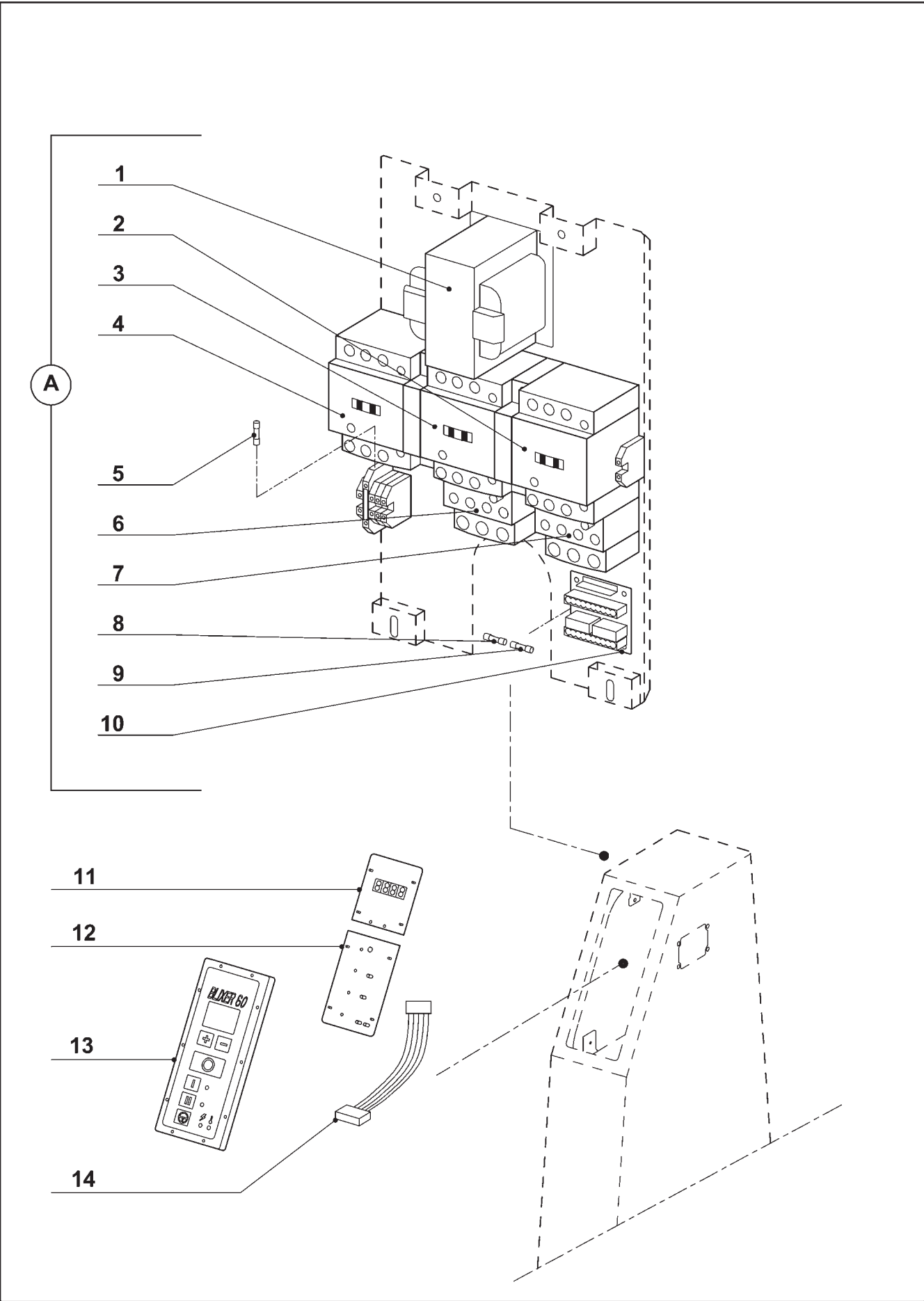


<i>Index</i>	<i>Pièce / Part</i>	<i>Désignation</i>	<i>/ Description</i>
A	117 992	PLATINE DE PUISSANCE	/ POWER CIRCUIT BOARD
1	507 200	TRANSFORMATEUR	/ TRANSFORMER
2	503 688	CONTACTEUR GRANDE VITESSE	/ HIGHT SPEED CONTACTOR
3	503 969	CONTACTEUR PETITE VITESSE	/ LOW SPEED CONTACTOR
4	503 969	CONTACTEUR DE COMMUTATION	/ COMMUTATION CONTACTOR
5	507 204	RELAIS THERMIQUE PETITE VITESSE	/ LOW SPEED THERMAL RELAY
6	507 205	RELAIS THERMIQUE GRANDE VITESSE	/ HIGHT SPEED THERMAL RELAY
7	500 537	FUSIBLE PRIMAIRE 12/24V	/ PRIMARY FUSE 12/24V
8	504 253	FUSIBLE SECONDAIRE 12V	/ SECONDARY FUSE 12V
9	504 253	FUSIBLE SECONDAIRE 24V	/ SECONDARY FUSE 24V
10	117 980	CARTE CONNECTION	/ CONNECTION CARD
11	119 218	CARTE TIMER	/ TIMER CIRCUIT BOARD
12	119 217	CARTE COMMANDE	/ CONTROL CIRCUIT BOARD
13	59 146	ENS. TABLEAU COMMANDE 6 TOUCHES	/ SWITCH PANEL 6 TOUCH PADS
14	117 982	LIMANDE	/ FLAT LINK CABLE

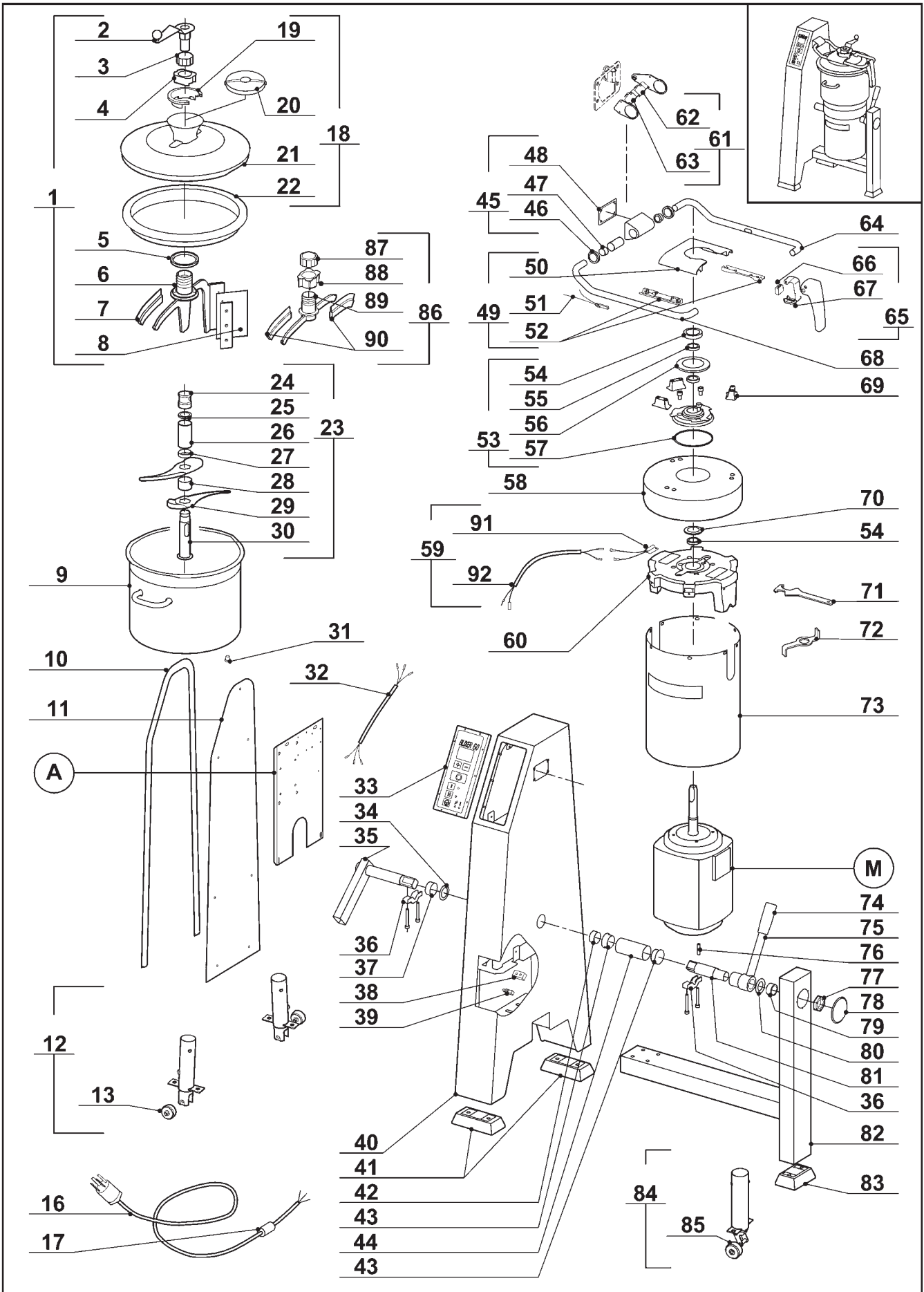


Index	Pièce / Part	Description	/
A	117 996	PLATINE DE PUISSANCE	/ POWER CIRCUIT BOARD
M	303 123	MOTEUR	/ MOTOR
1	59 217	ENS. BRAS BLIXER	/ BLIXER BOWL SCRAPER ASSEMBLY
2	59 166	ENS. MANIVELLE	/ BLIXER HANDLE ASSEMBLY
3	118 227	ECROU ESSUIE COUVERCLE	/ LID WIPER NUT
4	59 218	ENS GUIDE BLIXER	/ BLIXER GUIDE ASSEMBLY
5	119 246	RONDELLE INDEXAGE BLIXER	/ BLIXER INDEXING SPACER
6	119 243	BRAS BLIXER	/ BLIXER ARM
7	118 226	RACLEUR SOUPLE COUVERCLE	/ LID SOFT WIPER
8	59 220	ENS. RACLEUR SOUPLE	/ SOFT SCRAPER ASSEMBLY
9	59 148	ENS. CUVE	/ BOWL ASSEMBLY
10	118 257	JOINT FACE ARRIERE	/ CASING ACCESS DOOR SEAL
11	117 940	FACE ARRIERE	/ CASING ACCESS DOOR
12	59 204	ENS. ROULETTE AR (NM)	/ REAR CASTOR ASSEMBLY (NM)
13	59 210	ENS ROULETTE AR SEULE (NM)	/ SLANTED CASTOR ASSEMBLY (NM)
16	503 265	CABLE	/ POWER CORD
17	59 167	PASSE-FIL	/ POWER CORD PROTECTOR
18	59 149	ENS. COUVERCLE COMPLET	/ COMPLETE LID ASSEMBLY
19	118 100	GUIDE COUVERCLE	/ LID GUIDE
20	118 573	BOUCHON SOUPLE	/ SOFT LID CUP
21	118 180	COUVERCLE PLASTIQUE	/ PLASTIC LID
22	119 186	JOINT COUVERCLE	/ LID SEAL
23	57 093	ENS. COUTEAU BLIXER	/ FINE SERRATED BLADE ASSEMBLY
24	118 206	ECROU COUTEAU	/ BLADE LOCKING NUT
25	118 207	RONDELLE PLASTIQUE	/ PLASTIC WASHER
26	119 132	BAGUE COUTEAU 111mm	/ 111mm BLADE SPACER
27	118 204	BAGUE COUTEAU 14mm	/ 14mm BLADE SPACER
28	118 205	BAGUE COUTEAU 43mm	/ 43mm BLADE SPACER
29	118 244	LAME BLIXER	/ FINE SERRATED STRAIGHT BLADE
30	117 932	SUPPORT COUTEAU	/ BLADE SUPPORT
31	118 171	BOUCHON SECURITE	/ SAFETY PLUG
32	118 127	FAISCEAU ILS BRAS	/ SAFETY WIRING
33	59 152	ENS. CLAVIER	/ CONTROL PANEL ASSEMBLY
34	118 147	RONDELLE APPUI ARRIERE	/ BACK THRUST WASHER
35	59 162	ENS. AXE ARRIERE	/ BACK TILTING PIVOT ASSEMBLY
36	119 214	CAVALIER AXE BASCULEMENT	/ TILTING PIVOT STAPLE
37	118 146	ENTRETOISE AXE ARRIERE	/ BACK TILTING PIVOT SPACER
38	117 959	BUTEE BASCULEMENT	/ TILTING THRUST
39	507 007	SWITCH BASCULEMENT	/ TILTING SAFETY SWITCH
40	117 939	CAISSON	/ CASING
41	118 186	PIED ARRIERE	/ CASING FOOT
42	118 148	DOUILLE PALIER ARRIERE	/ BACK BEARING BUSH
43	118 150	DOUILLE MANCHON	/ SLEEVE BUSH
44	118 168	MANCHON 132mm	/ SLEEVE 132mm
45	59 128	ENS. CHARNIERE	/ HINGE ASSEMBLY
46	501 424	BAGUE ETANCH 20X30	/ SEALING RING 20X30
47	118 126	DOUILLE	/ BUSH
48	118 253	CAME BRAS	/ ARM CAM
49	59 130	ENS. SUPPORT COUVERCLE	/ LID SUPPORT ASSEMBLY
50	118 101	SUPPORT COUVERCLE	/ LID SUPPORT
51	118 132	ILS BRAS	/ ARM REED SWITCH
52	59 131	ENS. PINCES BRAS	/ ARM CLIP ASSEMBLY
53	59 143	ENS. DOUILLE	/ SEALING SOCKET ASSEMBLY
54	59 168	JOINT FACIAL	/ SHAFT SEAL
55	507 054	BAGUE A LEVRE	/ LIP SEAL

<i>Index</i>	<i>Pièce / Part</i>	<i>Description</i>	<i>/</i>
56	118 153	JOINT FOND DE CUVE	/ BOWL SEAL
57	507 050	JOINT TORIQUE	/ O RING
58	118 175	JUPE HAUTE	/ UPPER MOTOR COVER
59	118 157	ILS ENTRETOISE	/ MOTOR SUPPORT REED SWITCH
60	59 198	ENS. ENTRETOISE	/ SPACER ASSEMBLY
61	118 255	JOINT PLAT DE CHARNIERE	/ HINGE FLAT SEAL
62	59 127	ENS. INTER SECURITE	/ SAFETY SWITCH ASSEMBLY
63	118 254	SUPPORT INTERRUPTEUR	/ SWITCH SUPPORT
64	501 258	INTERRUPTEUR SECURITE	/ SAFETY SWITCH
65	119 210	TUBE DROIT	/ RIGHT LID TUBE
66	119 212	CROCHET DE COUVERCLE	/ LID HOOK
67	59 196	ENS POIGNEE COUVERCLE	/ LID HANDLE ASSEMBLY
68	119 211	TUBE GAUCHE	/ LEFT LID TUBE
69	59 165	ENS. APPUI DE CUVE	/ BOWL THRUST ASSEMBLY
70	118 174	DEFLECTEUR MOTEUR	/ MOTOR DEFLECTOR
71	59 950	ENS. TIGE R25	/ PIN ASSEMBLY
72	118 268	DEMONTE COUTEAU	/ KNIFE TOOL
73	118 298	JUPE BASSE	/ BOTTOM MOTOR COVER
74	118 142	POIGNEE	/ HANDLE
75	59 161	ENS. LEVIER DE SERRAGE	/ TILTING LOCKING ASSEMBLY
76	208 582	GOUPILLE	/ PIN
77	118 166	ECROU REGLAGE BASCUL.	/ TILTING ADJUSTING NUT
78	117 956	BOUCHON	/ PLUG
79	118 144	DOUILLE PALIER AVANT	/ FRONT HEASING BUSH
80	118 143	RONDELLE D'APPUI AVANT	/ FRONT THRUST WASHER
81	59 163	ENS. AXE AVANT	/ TILTING FRONT AXLE ASSEMBLY
82	118 191	PIETEMENT	/ STAND
83	117 958	PIED AVANT	/ STAND FOOT
84	59 203	ENS. ROULETTE AV (NM)	/ FRONT CASTOR ASSEMBLY (NM)
85	59 209	ENS ROULETTE AV SEULE (NM)	/ STRAIGHT CASTOR (NM)
86	59 208	ENS ESSUIE COUVERCLE	/ LID WIPER ASSEMBLY
87	118 227	ECROU ESSUIE COUVERCLE	/ LID WIPER NUT
88	118 228	GUIDE ESSUIE COUVERCLE	/ LID WIPER GUIDE
89	118 223	ESSUIE COUVERCLE	/ LID WIPER
90	118 226	RACLEUR SOUPLE COUVERCLE	/ LID SOFT WIPER

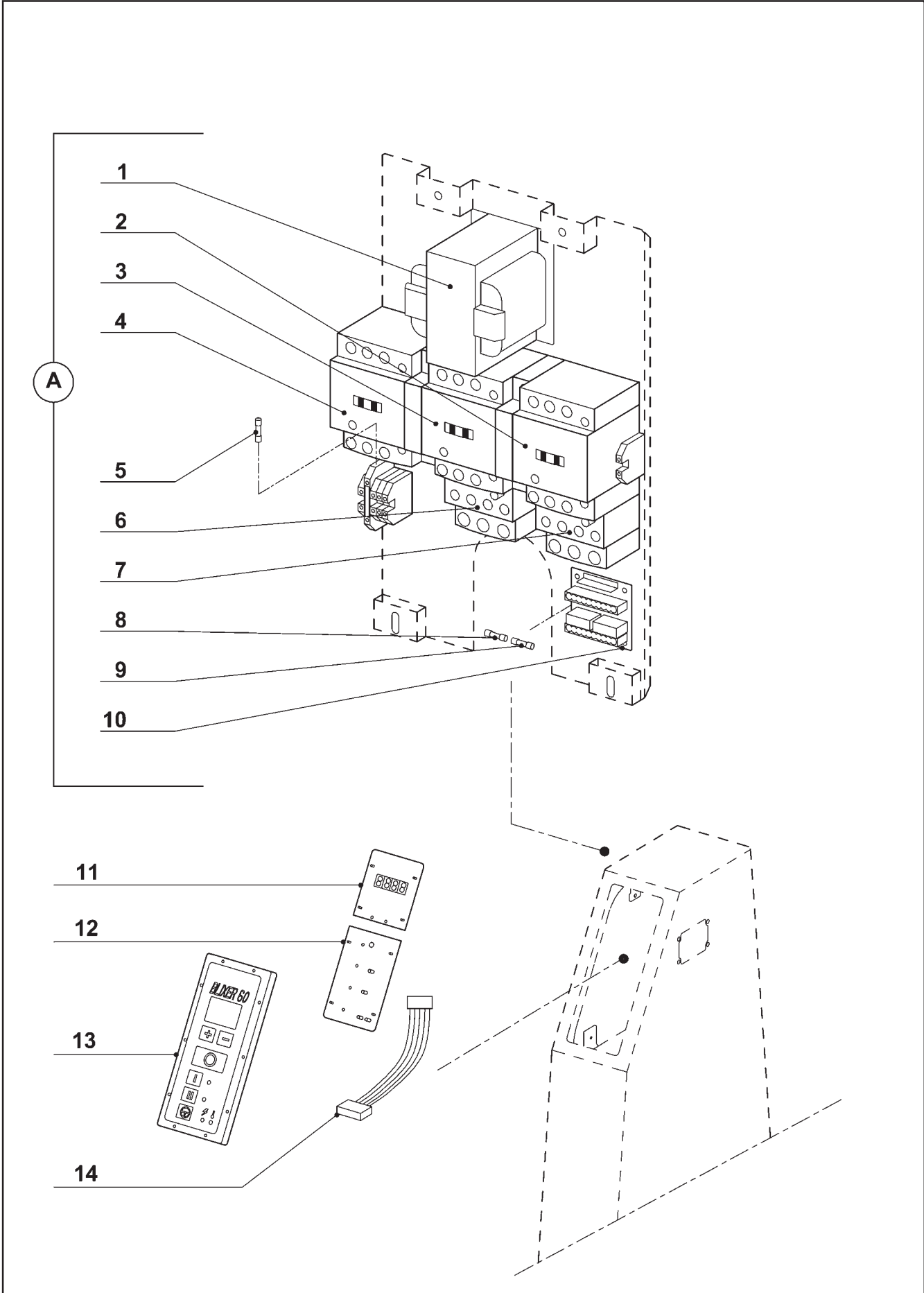


<i>Index</i>	<i>Pièce / Part</i>	<i>Désignation</i>	<i>Description</i>
A	117 996	PLATINE DE PUISSANCE	/ POWER CIRCUIT BOARD
1	507 201	TRANSFORMATEUR	/ TRANSFORMER
2	507 176	CONTACTEUR GRANDE VITESSE	/ HIGH SPEED CONTACTOR
3	507 175	CONTACTEUR PETITE VITESSE	/ LOW SPEED CONTACTOR
4	507 175	CONTACTEUR DE COMMUTATION	/ COMMUTATION CONTACTOR
5	500 537	FUSIBLE PRIMAIRE 9/24V	/ PRIMARY FUSE 9/24V
6	507 177	RELAIS THERMIQUE PETITE VITESSE	/ LOW SPEED THERMAL RELAY
7	507 178	RELAIS THERMIQUE GRANDE VITESSE	/ HIGH SPEED THERMAL RELAY
8	504 253	FUSIBLE SECONDAIRE 12V	/ SECONDARY FUSE 12V
9	507 206	FUSIBLE SECONDAIRE 24V	/ SECONDARY FUSE 24V
10	117 980	CARTE CONNECTION	/ CONNECTION CARD
11	119 218	CARTE TIMER	/ TIMER CIRCUIT BOARD
12	119 217	CARTE COMMANDE	/ CONTROL CIRCUIT BOARD
13	59 152	ENS. TABLEAU COMMANDE 6 TOUCHES	/ SWITCH PANEL 6 TOUCH PADS
14	117 982	LIMANDE	/ FLAT LINK CABLE



Index	Pièce / Part	Description	/
A	117 996	PLATINE DE PUISSANCE	/ POWER CIRCUIT BOARD
M	303 123	MOTEUR	/ MOTOR
1	59 217	ENS. BRAS BLIXER	/ BLIXER BOWL SCRAPER ASSEMBLY
2	59 166	ENS. MANIVELLE	/ BLIXER HANDLE ASSEMBLY
3	118 227	ECROU ESSUIE COUVERCLE	/ LID WIPER NUT
4	59 218	ENS GUIDE BLIXER	/ BLIXER GUIDE ASSEMBLY
5	119 246	RONDELLE INDEXAGE BLIXER	/ BLIXER INDEXING SPACER
6	119 243	BRAS BLIXER	/ BLIXER ARM
7	118 226	RACLEUR SOUPLE COUVERCLE	/ LID SOFT WIPER
8	59 220	ENS. RACLEUR SOUPLE	/ SOFT SCRAPER ASSEMBLY
9	59 148	ENS. CUVE	/ BOWL ASSEMBLY
10	118 257	JOINT FACE ARRIERE	/ CASING ACCESS DOOR SEAL
11	117 940	FACE ARRIERE	/ CASING ACCESS DOOR
12	59 204	ENS. ROULETTE AR (NM)	/ REAR CASTOR ASSEMBLY (NM)
13	59 210	ENS ROULETTE AR SEULE (NM)	/ SLANTED CASTOR ASSEMBLY (NM)
16	503 265	CABLE	/ POWER CORD
17	59 167	PASSE-FIL	/ POWER CORD PROTECTOR
18	59 277	ENS. COUVERCLE COMPLET	/ COMPLETE LID ASSEMBLY
19	118 100	GUIDE COUVERCLE	/ LID GUIDE
20	118 573	BOUCHON SOUPLE	/ SOFT LID CUP
21	127 526	COUVERCLE PLASTIQUE	/ PLASTIC LID
22	119 266	JOINT COUVERCLE	/ LID SEAL
23	57 093	ENS. COUTEAU BLIXER	/ FINE SERRATED BLADE ASSEMBLY
24	118 206	ECROU COUTEAU	/ BLADE LOCKING NUT
25	118 207	RONDELLE PLASTIQUE	/ PLASTIC WASHER
26	119 132	BAGUE COUTEAU 111m	/ 111mm BLADE SPACER
27	118 204	BAGUE COUTEAU 14mm	/ 14mm BLADE SPACER
28	118 205	BAGUE COUTEAU 43mm	/ 43mm BLADE SPACER
29	118 244	LAME BLIXER	/ FINE SERRATED STRAIGHT BLADE
30	117 932	SUPPORT COUTEAU	/ BLADE SUPPORT
31	118 171	BOUCHON SECURITE	/ SAFETY PLUG
32	118 127	FAISCEAU ILS BRAS	/ SAFETY WIRING
33	59 152	ENS. CLAVIER	/ CONTROL PANEL ASSEMBLY
34	118 147	RONDELLE APPUI ARRIERE	/ BACK THRUST WASHER
35	59 162	ENS. AXE ARRIERE	/ BACK TILTING PIVOT ASSEMBLY
36	119 214	CAVALIER AXE BASCULEMENT	/ TILTING PIVOT STAPLE
37	118 146	ENTRETOISE AXE ARRIERE	/ BACK TILTING PIVOT SPACER
38	117 959	BUTEE BASCULEMENT	/ TILTING THRUST
39	507 007	SWITCH BASCULEMENT	/ TILTING SAFETY SWITCH
40	117 939	CAISSON	/ CASING
41	118 186	PIED ARRIERE	/ CASING FOOT
42	118 148	DOUILLE PALIER ARRIERE	/ BACK BEARING BUSH
43	118 150	DOUILLE MANCHON	/ SLEEVE BUSH
44	118 168	MANCHON 132mm	/ SLEEVE 132mm
45	59 128	ENS. CHARNIERE	/ HINGE ASSEMBLY
46	501 424	BAGUE ETANCH 20X30	/ SEALING RING 20X30
47	118 126	DOUILLE	/ BUSH
48	118 255	JOINT PLAT DE CHARNIERE	/ HINGE FLAT SEAL
49	59 130	ENS. SUPPORT COUVERCLE	/ LID SUPPORT ASSEMBLY
50	118 101	SUPPORT COUVERCLE	/ LID SUPPORT
51	118 132	ILS BRAS	/ ARM REED SWITCH
52	59 131	ENS. PINCES BRAS	/ ARM CLIP ASSEMBLY
53	59 143	ENS. DOUILLE	/ SEALING SOCKET ASSEMBLY
54	59 168	JOINT FACIAL	/ SHAFT SEAL
55	507 054	BAGUE A LEVRE	/ LIP SEAL

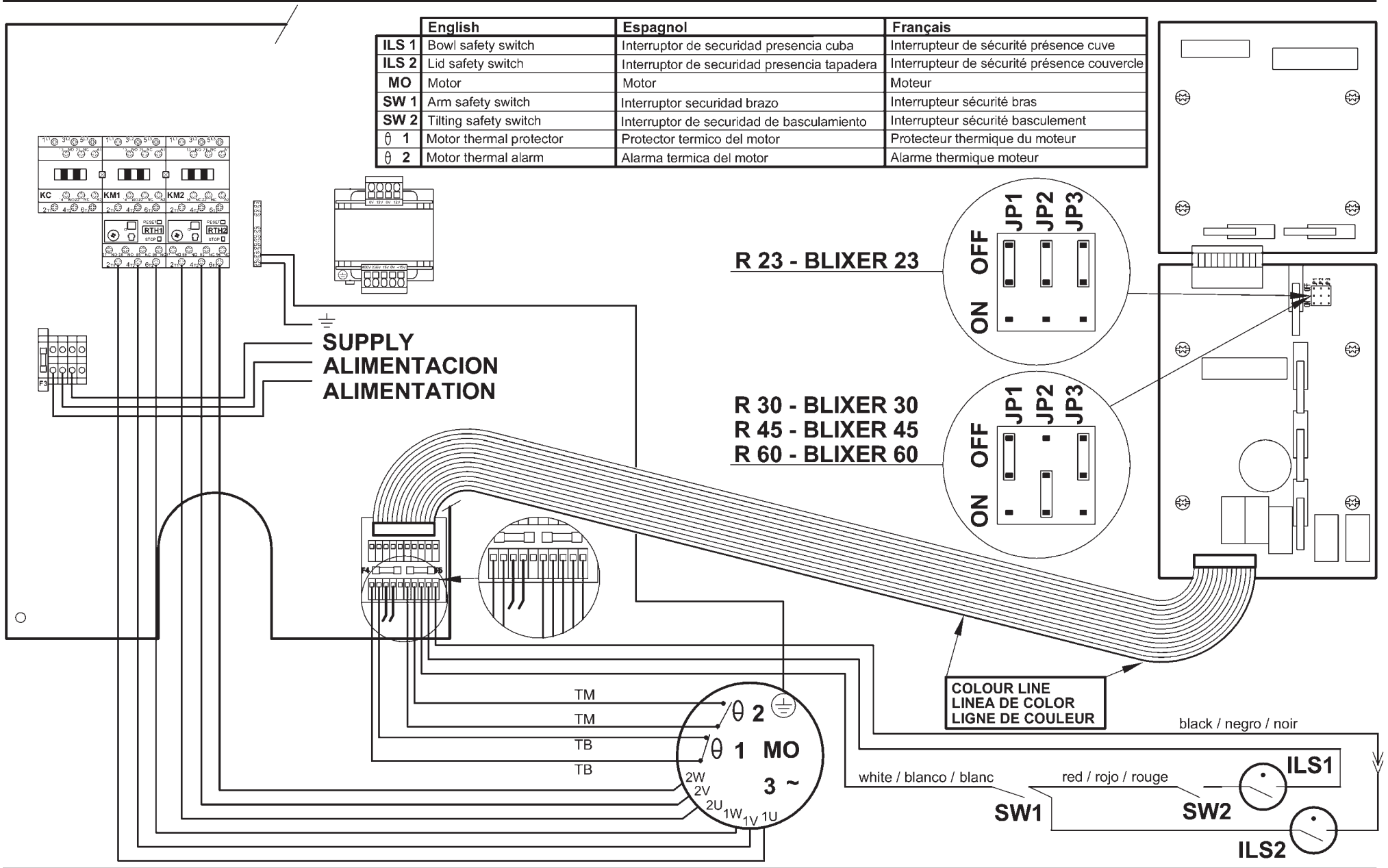
<i>Index</i>	<i>Pièce / Part</i>	<i>Description</i>	<i>/</i>
56	118 153	JOINT FOND DE CUVE	/ BOWL SEAL
57	507 050	JOINT TORIQUE	/ O RING
58	118 175	JUPE HAUTE	/ UPPER MOTOR COVER
59	118 157	ENS ILS ENTRETOISE	/ MOTOR SUPPORT REED SWITCH ASSEMBLY
60	59 198	ENS. ENTRETOISE	/ SPACER ASSEMBLY
61	59 272	ENS. INTER SECURITE	/ SAFETY SWITCH ASSEMBLY
62	501 258	INTERRUPTEUR SECURITE NF	/ NC SAFETY SWITCH
63	507 250	INTERRUPTEUR SECURITE NO	/ NO SAFETY SWITCH
64	119 210	TUBE DROIT	/ RIGHT LID TUBE
65	59 273	ENS POIGNEE	/ LID HANDLE ASSEMBLY
66	119 259	BUTEE DE CROCHET	/ HOOK PROTECTION
67	119 267	CROCHET DE COUVERCLE	/ LID HOOK
68	119 211	TUBE GAUCHE	/ LEFT LID TUBE
69	59 165	ENS. APPUI DE CUVE	/ BOWL THRUST ASSEMBLY
70	118 174	DEFLECTEUR MOTEUR	/ MOTOR DEFLECTOR
71	59 950	CLEF DEMONTE COUTEAU	/ KNIFE NUT TOOL
72	118 268	DEMONTE COUTEAU	/ KNIFE TOOL
73	118 298	JUPE BASSE	/ BOTTOM MOTOR COVER
74	118 142	POIGNEE	/ HANDLE
75	59 161	ENS. LEVIER DE SERRAGE	/ TILTING LOCKING ASSEMBLY
76	208 582	GOUPILLE	/ PIN
77	118 166	ECROU REGLAGE BASCUL.	/ TILTING ADJUSTING NUT
78	117 956	BOUCHON	/ PLUG
79	118 144	DOUILLE PALIER AVANT	/ FRONT HEASING BUSH
80	118 143	RONDELLE D'APPUI AVANT	/ FRONT THRUST WASHER
81	59 163	ENS. AXE AVANT	/ TILTING FRONT AXLE ASSEMBLY
82	118 191	PIETEMENT	/ STAND
83	117 958	PIED AVANT	/ STAND FOOT
84	59 203	ENS. ROULETTE AV (NM)	/ FRONT CASTOR ASSEMBLY (NM)
85	59 209	ENS ROULETTE AV SEULE (NM)	/ STRAIGHT CASTOR (NM)
86	59 208	ENS ESSUIE COUVERCLE	/ LID WIPER ASSEMBLY
87	118 227	ECROU ESSUIE COUVERCLE	/ LID WIPER NUT
88	118 228	GUIDE ESSUIE COUVERCLE	/ LID WIPER GUIDE
89	118 223	ESSUIE COUVERCLE	/ LID WIPER
90	118 226	RACLEUR SOUPLE COUVERCLE	/ LID SOFT WIPER
91	119 199	ILS ENTRETOISE	/ MOTOR SUPPORT REED SWITCH
92	119 194	FAISCEAU ILS ENTRETOISE	/ MOTOR SUPPORT SAFETY WIRING



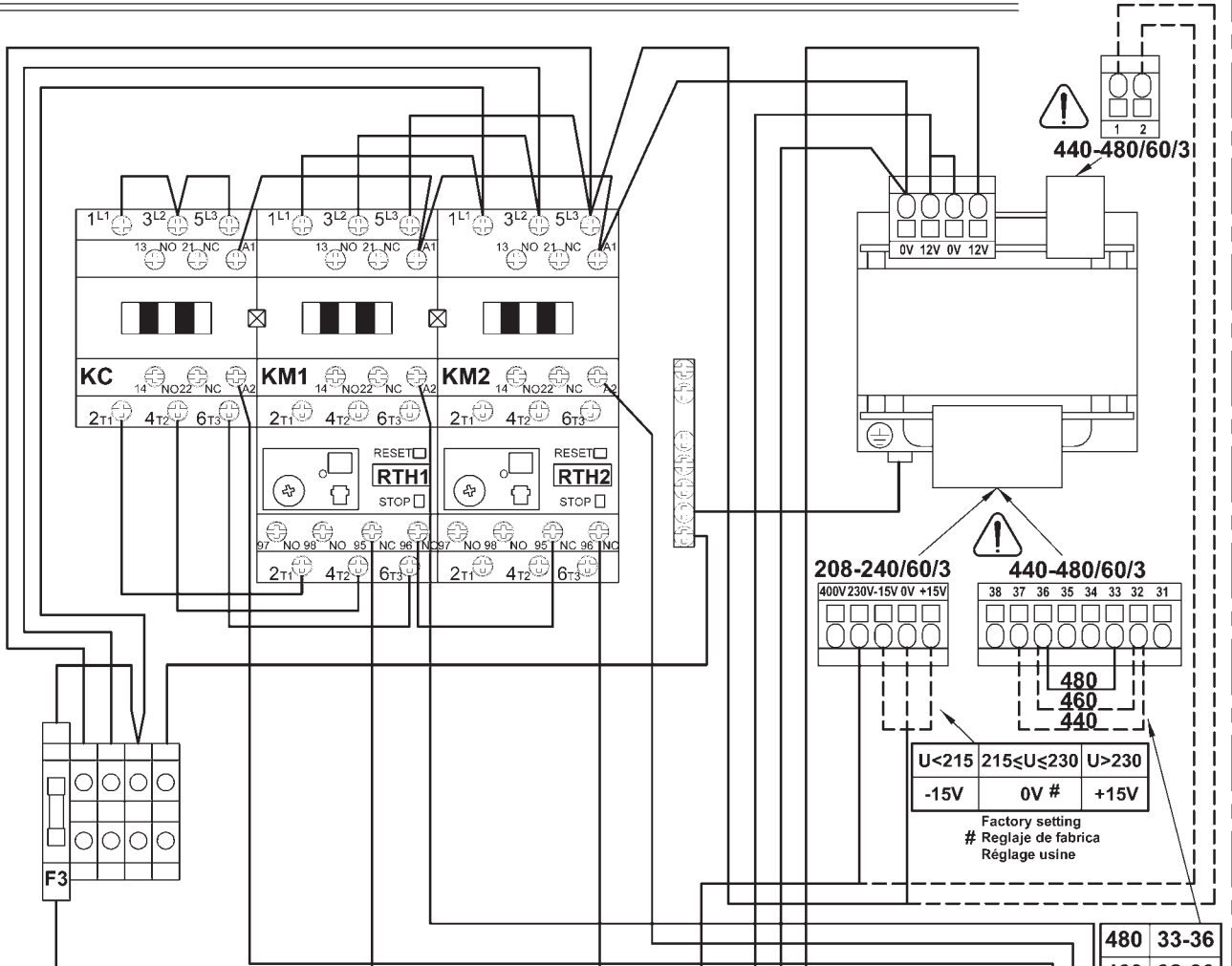
<i>Index</i>	<i>Pièce / Part</i>	<i>Désignation</i>	<i>Description</i>
A	117 996	PLATINE DE PUISSANCE	/ POWER CIRCUIT BOARD
1	507 201	TRANSFORMATEUR	/ TRANSFORMER
2	507 176	CONTACTEUR GRANDE VITESSE	/ HIGHT SPEED CONTACTOR
3	507 175	CONTACTEUR PETITE VITESSE	/ LOW SPEED CONTACTOR
4	507 175	CONTACTEUR DE COMMUTATION	/ COMMUTATION CONTACTOR
5	500 537	FUSIBLE PRIMAIRE 9/24V	/ PRIMARY FUSE 9/24V
6	507 177	RELAIS THERMIQUE PETITE VITESSE	/ LOW SPEED THERMAL RELAY
7	507 178	RELAIS THERMIQUE GRANDE VITESSE	/ HIGHT SPEED THERMAL RELAY
8	504 253	FUSIBLE SECONDAIRE 12V	/ SECONDARY FUSE 12V
9	507 206	FUSIBLE SECONDAIRE 24V	/ SECONDARY FUSE 24V
10	117 980	CARTE CONNECTION	/ CONNECTION CARD
11	119 218	CARTE TIMER	/ TIMER CIRCUIT BOARD
12	119 217	CARTE COMMANDE	/ CONTROL CIRCUIT BOARD
13	59 152	ENS. TABLEAU COMMANDE 6 TOUCHES	/ SWITCH PANEL 6 TOUCH PADS
14	117 982	LIMANDE	/ FLAT LINK CABLE

R 23 - BLIXER 23 - R 30 - BLIXER 30 - R 45 - BLIXER 45 - R 60 - BLIXER 60 208-240V/60Hz-3 ph 440-480V/60Hz-3ph
 ELECTRIC DIAGRAM ESQUEMA CONEXIONES SCHEMA ELECTRIQUE

	English	Espagnol	Français
ILS 1	Bowl safety switch	Interruptor de seguridad presencia cuba	Interrupteur de sécurité présence cuve
ILS 2	Lid safety switch	Interruptor de seguridad presencia tapadera	Interrupteur de sécurité présence couvercle
MO	Motor	Motor	Moteur
SW 1	Arm safety switch	Interruptor seguridad brazo	Interrupteur sécurité bras
SW 2	Tilting safety switch	Interruptor de seguridad de basculamiento	Interrupteur sécurité basculement
⊖ 1	Motor thermal protector	Protector termico del motor	Protecteur thermique du moteur
⊖ 2	Motor thermal alarm	Alarma termica del motor	Alarme thermique moteur



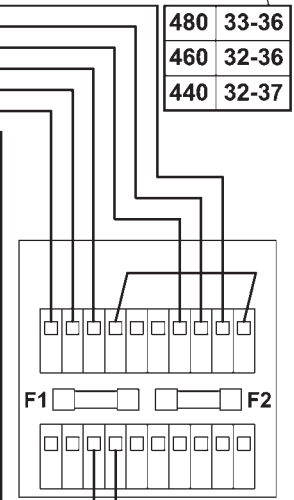
- BLIXER 23 - Serial # From 27601111 13 W - 05
 - R 23 - Serial # From 27701111 13 W - 05
 - BLIXER 30 - Serial # From 27801111 13 W - 05
 - R 30 - Serial # From 27901111 13 W - 05
 - BLIXER 45 - Serial # From 28101111 13 W - 05
 - R 45 - Serial # From 28201111 13 W - 05
 - BLIXER 60 - Serial # From 28401111 13 W - 05
 - R 60 - Serial # From 28501111 13 W - 05
- } 208-240V/60Hz - 3 ph
- R 23 - Serial # From 27701111 17 Y - 04
 - R 30 - Serial # From 27901111 17 Y - 04
 - R 45 - Serial # From 28201111 17 Y - 04
 - R 60 - Serial # From 28501111 17 Y - 04
- } 440-480V/60Hz - 3 ph



* RHT1 Thermal relay setting
 * RHT2 Reglaje rele termico
 RHT2 Réglage relais thermique

	BLIXER 23 R 23	BLIXER 30 R 30	BLIXER 45 R 45	BLIXER 60 R 60
220/60/3	117984/112317	117988/112318	117992/112319	117996/112320
F1 5X20	4A T	4A T	4A T	4A T
F2 5X20	4A T	4A T	4A T	10A T
F3 5X20	2A T	2A T	2A T	2A T
RTH1 *	18 A	22 A	32 A	40 A
RTH2 *	22 A	24 A	38 A	50 A

	BLIXER 23 R 23	BLIXER 30 R 30	BLIXER 45 R 45	BLIXER 60 R 60
480/60/3	112322	112322	112323	112324
F1 5X20	4A T	4A T	4A T	4A T
F2 5X20	4A T	4A T	4A T	4A T
F3 5X20	2A T	2A T	2A T	2A T
RTH1 *	9 A	11 A	16 A	17 A
RTH2 *	11 A	12 A	20 A	27 A





robot coupe[®]

P.O. Box 16625, Jackson, MS 39236-6625

280 South Perkins St., Ridgeland, MS 39157

e-mail: robocoup@misnet.com

website: www.robotcoupeusa.com

Phone : 1-800-824-1646