

robot *coupe*®



- **R 23**
- **R 30**
- **R 45**
- **R 60**

Robot-coupe USA. Inc.

P.O. Box 16625, Jackson, MS 39236-6625 - 264 South Perkins St., Ridgeland, MS 39157

e-mail: info@robotcoupeusa.com - website: www.robotcoupeusa.com

Phone : 1-800-824-1646

SUMMARY

■ WARRANTY

■ IMPORTANT WARNING

■ INTRODUCING THE NEW VERTICAL CUTTER-MIXER R23 • R30 • R45 • R60

■ SWITCHING ON THE MACHINE

- Advice on electrical connections
- Control panel
- Safety indicator lights

■ ASSEMBLY

■ HELPFUL TIPS

- Emptying the bowl
- Blade assembly

■ MAXIMUM PROCESSING CAPACITIES

■ FITTING AND USING THE BLADE ASSEMBLY

- Fitting the 2-blade assembly
- fitting the 3-blade assembly

■ OPERATING INSTRUCTIONS FOR THE VACUUM KIT R-VAC®

■ ACCESSORY

- Lid wiper

■ OPTIONS

- Coarse serrated blades
- Fine serrated blades
- Wheels

■ EXAMPLES OF USE

■ CLEANING

■ MAINTENANCE

- Blades
- Shaft seals
- Replacement of motor shaft seal
- Bowl seal
- Dismantling the blade assembly
- Lid seal

■ TECHNICAL SPECIFICATIONS

- Bowl capacities
- Weight
- Dimensions
- Installation
- Noise level
- Electrical data

■ SAFETY

■ TECHNICAL DATA

- Before Starting
- Exploded views
- Electrical and wiring diagrams

ROBOT COUPE U.S.A., INC. LIMITED WARRANTY

280 South Perkins St., Ridgeland, MS 39157

e-mail: robocoup@misnet.com - website: www.robotcoupeusa.com - Phone : 1-800-824-1646

YOUR NEW ROBOT COUPE PRODUCT IS WARRANTED TO THE ORIGINAL PURCHASER FOR A PERIOD OF ONE YEAR FROM THE DATE OF PURCHASE.

This LIMITED WARRANTY is against defects in the material and/or workmanship, and includes labor for replacement of defective parts, provided repairs are performed by an authorized service agency (see attached list).

The Customer must inform the Service Agency of the possibility of warranty coverage and provide a copy of the dated sales or delivery receipt BEFORE WARRANTY REPAIRS ARE BEGUN.

Replacement parts and accessories are warranted for ninety (90) days from the date of purchase when purchased separately and will be verified by dated sales receipt OR packing slip which lists that item.

All parts or accessories replaced under warranty must be returned to the Service Agency.

THE FOLLOWING ARE NOT COVERED BY THE ROBOT COUPE U.S.A. INC LIMITED WARRANTY:

1 - Damage caused by abuse, misuse, dropping, or other similar damage caused by or resulting from failure to follow assembly, operating, cleaning, user maintenance or storage instructions.

2 - Labor to sharpen and/or replacements for blades that have become blunt, chipped or worn after a normal or excessive period of use.

3 - Materials or labor to replace or repair scratched, stained, chipped, pitted, dented or discolored surfaces, blades, knives, attachments or accessories.

4 - Any alteration, addition, or repair that has not been carried out by the company or an approved service agency.

5 - Transportation of the appliance to or from an approved service agency.

6 - Labor charges to install or test new attachments or accessories (i.e., bowls, plates, blades, attachments), which have been replaced for any reason.

7 - The cost of changing direction-of-rotation of three-phase electric motors (Installer is responsible).

8 - SHIPPING DAMAGES. Visible and/or hidden damage is the responsibility of the freight carrier. The consignee must inform the carrier and consignor immediately, or upon discovery in the case of hidden defects.

KEEP ALL ORIGINAL CONTAINERS AND PACKING MATERIALS FOR CARRIER INSPECTION.

Neither ROBOT COUPE U.S.A., INC. nor its affiliated companies or any of its distributors, directors, agents, employees, or insurers will be liable for indirect damage, losses, or expenses linked to the appliance or the inability to use it. **The ROBOT COUPE U.S.A., INC. warranty is given expressly and in lieu of all other warranties, expressed or implied, for merchantability and for fitness toward a particular purpose and constitutes the only warranty made by ROBOT COUPE U.S.A., INC..**

IMPORTANT WARNING



WARNING: In order to limit accidents such as electric shocks, personal injury or fire, and in order to limit material damage due to misuse of the appliance, please read these instructions carefully and follow them strictly. Reading the operating instructions will help you get to know your appliance and enable you to use the equipment correctly. The operation manual should be kept within easy access to all users for reference and should be read completely by all first time users of the machine.

UNPACKING

- Carefully remove the equipment from the packaging and take out all the boxes or packets containing attachments or specific items.
- **WARNING**-some of the parts are very sharp e. g. blades ... etc.

INSTALLATION

- Install your machine on a stable solid base.

CONNECTION

- Always check that your power supply corresponds to that indicated on the serial number plate and that it is properly sized.

HANDLING

- Always wear cut-resistant gloves when handling the cutting blades.

ASSEMBLY PROCEDURES

- Follow the various assembly procedures carefully (see page 7) and make sure that all the attachments are correctly positioned.

USE

- Do not open the bowl lid until the blade have come to a complete stop.
- Never tamper with or defeat the purpose of the locking and safety systems.
- Never put a hand or nonfood object into the bowl.
- Do not overload the machine.
- The blades are sharp. Wear cut-resistant gloves when handling the blades.

CLEANING

- Always unplug your appliance before cleaning.
- Always clean the appliance and attachments at the end of each use.
- For parts made of aluminum alloys, use cleaning detergents suitable for aluminum. Presently, there are no aluminum alloys on the surface of the machine.
- Do not spray or pressure-wash the machine.

- For plastic parts, do not use detergents that are too alkaline (i.e., containing too much caustic soda or ammonia...).

MAINTENANCE

- Always unplug the appliance before servicing.
- Check the seals regularly and ensure that the safety devices are in good working order.
- It is particularly important to maintain and check the attachments since certain products contain corrosive agents e.g. citric acid.
- **NOTICE:** Never operate the appliance if the power cord or plug has been damaged. If the machine fails to operate as described in this manual, or if the machine malfunctions in any way, remove the machine from use and have it serviced. Additionally, discard all food processed at the time of the malfunction.
- Contact your local Authorized Service Agency if something appears to be wrong.

INTRODUCING THE NEW VERTICAL CUTTER-MIXER R 23 • R 30 • R 45 • R 60

The vertical cutter-mixer is ideally suited to professional needs.

It can be used to perform countless jobs that you will gradually discover as you use it.

The vertical cutter runs at two speeds: **1,800 and 3,600 rpm**. You can use it to prepare meat, vegetables, smooth-textured stuffings and mousses, as well as for grinding, kneading and so on - with a maximum processing time of five minutes for the longest jobs.

Its numerous functions will open the door to a whole new culinary world.

Thanks to your appliance's simple design, all components requiring frequent handling for maintenance or cleaning can be fitted and removed with the greatest of ease.

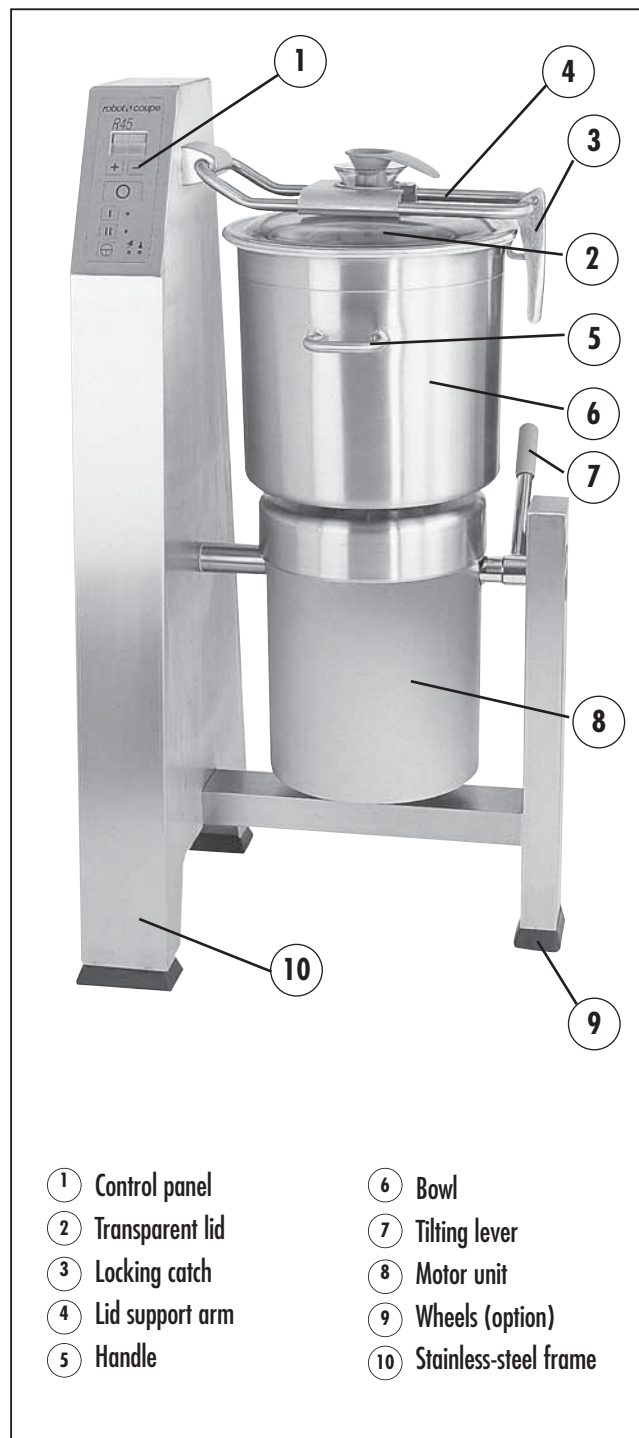
For optimum convenience, this manual describes the various assembly operations on a step-by-step basis.

It places special emphasis on explaining the various actions that cause the motor to stop, as the appliance is equipped with safety devices which prevent access to the blade assembly until it has come to a complete standstill.

This manual contains important information designed to help you get the most out of your vertical cutter-mixer.

We therefore recommend that you read the manual carefully before using your appliance.

We have also included examples of a few processing tasks to help you get the feel of your new appliance and appreciate the full range of its many useful features.



SWITCHING ON THE MACHINE

• ADVICE ON ELECTRICAL CONNECTIONS

The wiring must be installed by a qualified electrician.

Before plugging your appliance in, check that your power supply voltage is the same as that indicated on the rating plate.

If your appliance is not connected to the mains via a plug and socket, it must be connected to an electrical disconnect switch that can be padlocked.

⚠ RISK OF ELECTROCUTION

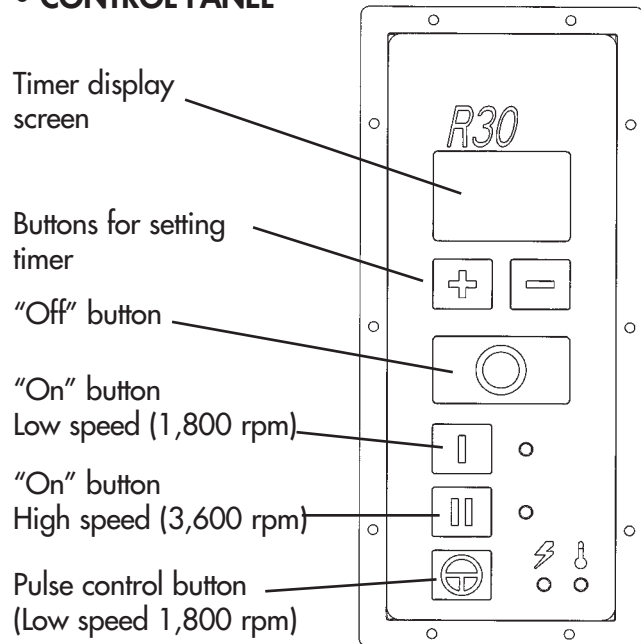
- The machine must be grounded electrically.
- The appliance is only insulated from the mains supply when it is unplugged.

With the blade removed and the bowl empty, turn on the machine. The shaft should rotate in a counterclockwise direction.

CHANGING MOTOR ROTATION REQUIRES A QUALIFIED ELECTRICIAN

Appliances are designed to operate on a
208-240 Volt, 60 Hz,
3 Phase power supply.

• CONTROL PANEL



• SAFETY INDICATOR LIGHTS

For models R 23 • R 30 • R 45 • R 60 :

- **The orange light** comes on when the appliance is **plugged** in. If **none** of the lights come on, this either means that the appliance is **not plugged in** properly or that one of the safety device is not activated.
- **2 green lights** indicate that the appliance is ready for use (see starting procedure on page 6).
- **The red light** is a **motor temperature indicator**. When it comes on, it means that the motor has reached a temperature of 120 °C and may shortly cut out to avoid overheating. This allows you to halt your processing task before it avoid possible motor damage. It is best to wait until the **red light** has gone out before resuming your task.
- In case of motor thermal cut-out, **the red and orange** lights will stay on until the motor has cooled down. The machine will not start while the orange light is on.

- In case of overload trip, the motor stops and only the orange light is on. After the automatic resetting of the overload device, the orange light switch off, both green lights switch on and the machine can be restarted.

ASSEMBLY



1) Notice the lip on the bowl. On one side, directly over one of the handles, the lip extends straight out rather than being curled. This feature is for pouring and should be to your left as you place the bowl onto the machine.

Facing the tilting lever end of the machine, lower the bowl over the motor shaft until it rests on the top surface of the motor unit. Turn the bowl handles in a clockwise direction about 45° as shown until you feel it drop down a bit. Once you feel the bowl bottom-out, turn it back in a counterclockwise direction until it comes to a complete stop and feels tight and stable. When viewed from the tilting lever end, the handles should be directly to your left and right. The bottom of the bowl should be parallel with the top surface of the motor unit.

2) Before you continue, make sure the bowl is in the upright position. Check the locking lever. It should be rotated to the right (as you are facing the locking lever end of the machine) and pressed down, locking the bowl in the upright position.



⚠ DANGER : RISK OF INJURY

The blades are extremely sharp.
For this reason, always make sure you have removed the blade assembly before doing any job inside the bowl, such as cleaning or emptying.



3) Place the blade assembly on the motor shaft. Then lower it to the bottom of the bowl by rotating it. Always check that the blade assembly is correctly **positioned at the bottom of the bowl** before placing the ingredients you wish to process in the bowl.

4) Position the lid in the space provided in the lid support arm, then **rotate it 90°** to lock it into position.



5) To close the lid, fit the locking catch over the edge of the bowl and push the handle down. The appliance is now ready for use. The **green lights** should be on.

If the safety indicator lights do not become green, check all the assembly procedures according to page 47.

HELPFUL TIPS

• EMPTYING THE BOWL

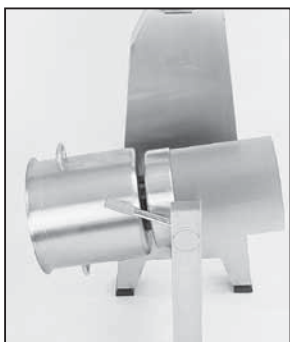


1) Open the lid by freeing the locking handle. Release the tilting lever by raising it.

2) Depending on the product, it may be possible to remove the blade assembly before tilting the bowl. If it is not practical to remove it, hold the blade assembly down with one hand while tilting the bowl with the other.



CAUTION: It is advisable to wear cut-resistant gloves when handling the blades.



3) With a receptacle in place, tilt and empty the bowl.

• BLADE ASSEMBLIES

In order to ensure **optimum cutting quality**, Robot-Coupe has developed **new, patented blade profiles**.

These blades, which are perfectly balanced in order to avoid any vibration, are supplied with **three different types of edge**.

Standard blade :



Smooth edge for emulsions, mousses and finely-chopped meat and vegetables.

Optional blades :



Fine serrated edge for all blending tasks and smooth or fine-textured preparations.



Coarse serrated edge for cake-making (grinding almonds and hazelnuts, making icing sugar), for frozen goods and all hard foodstuffs.



Smooth, “**crescent-shaped**” 3-blade assembly, supplied as a **standard attachment**.

Distinctive feature: the “crescent” blades make it easier to **mix and bind ingredients**.

A 2-blade assembly is used for processing small quantities or liquid preparations. The 3-blade assembly is used for maximum capacities with dry ingredients.

To obtain the best results, it is important to set the right spacing between the blades. Do not exceed maximum processing capacities (see following table).

MAXIMUM PROCESSING CAPACITIES

Quantities are given in pounds.

TYPE OF PREPARATION	R 23	R 30	R 45	R 60
Coarse chopping	22	26	40	55
Emulsion	24	31	53	66
Kneading (in lb of flour)	15	17	26	39
Grinding	11	13	20	25

FITTING AND USING THE BLADE ASSEMBLY



Screw nut



Wide spacer



Blade



Locking spacer



Narrow spacer



Blade shaft

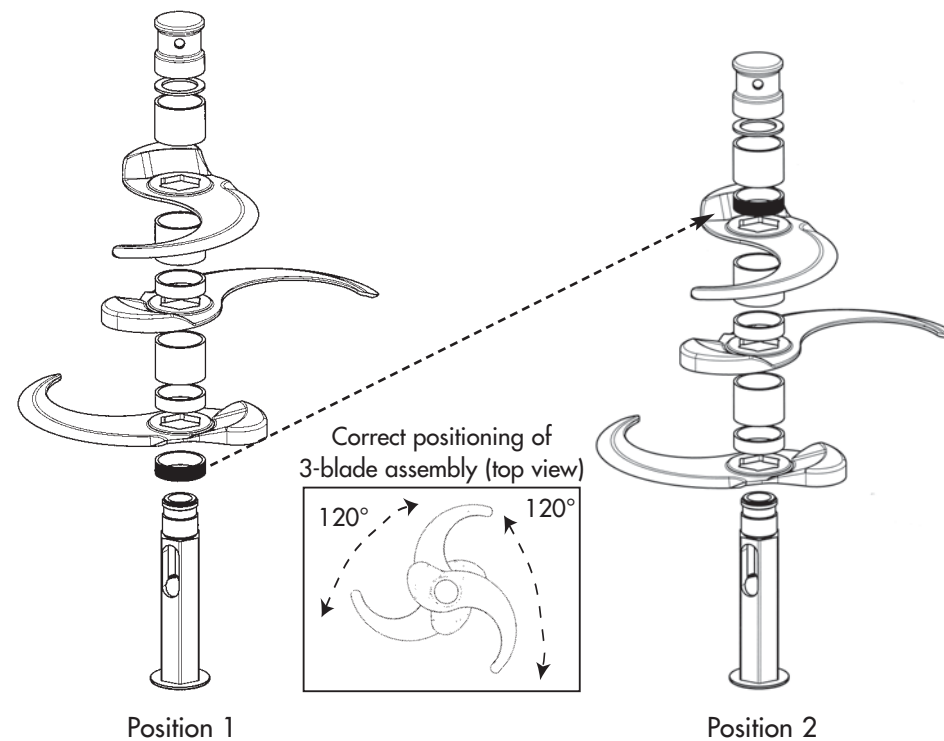
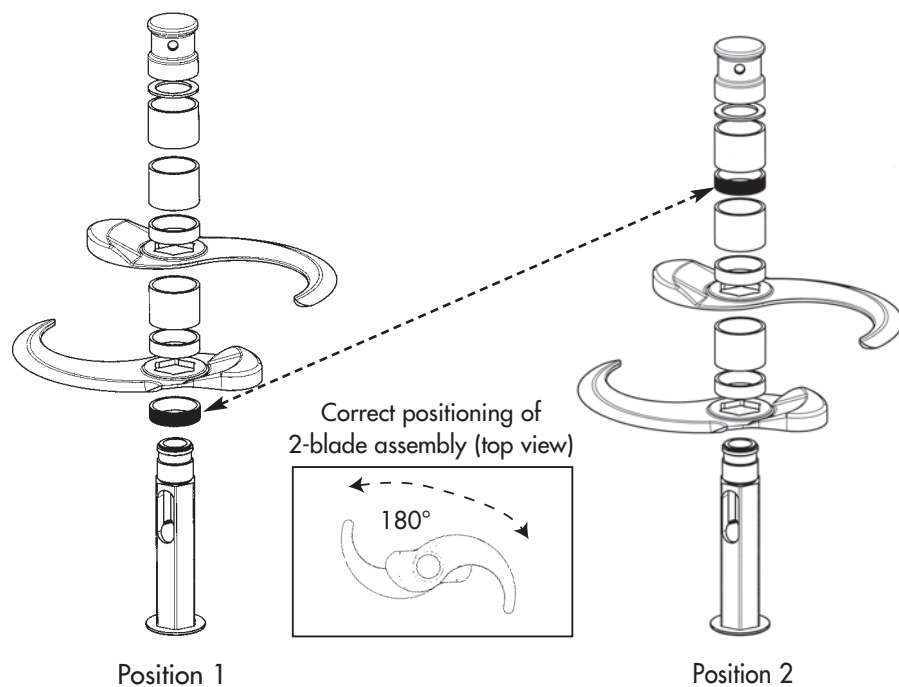
• 2-BLADE ASSEMBLY:

We recommend you to use the 2-blade assembly for processing liquid and blended preparation or for dry ingredients in small quantities, up to half of the maximum values (refer to the previous table).

• 3-BLADE ASSEMBLY:

We recommend you to use the 3-blade assembly for processing large quantities of more than half the maximum limit indicated previously, with the exception of liquid or blended preparations for which we strongly recommend you use the 2-blade assembly.

To obtain the best possible results with these types of preparation, we recommend the use of the low speed only.



POSITION 1 : With spacer between lower blade and blade shaft.

- For **coarse chopping**.

ASSEMBLY :

- Fit the blades and spacers so that they are the right distance apart, according to the :

- type
- weight and
- volume of the foodstuffs to be processed.

POSITION 2 : No spacer between lower blade and blade shaft.

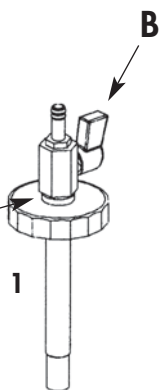
- For **fine chopping and emulsions**.
- For **grinding and kneading**.

DISASSEMBLY :

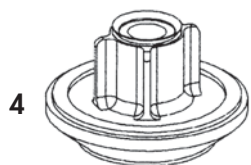
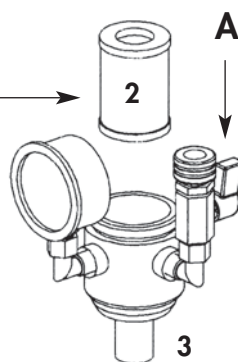
- Unscrew the screw nut
- Remove the spacers.

OPERATING INSTRUCTIONS FOR THE VACUUM KIT R-VAC®

Keep an eye on the position of the O-ring seal when fitting part N° 1



Filter N° 2 can be cleaned.



1° ASSEMBLING THE VACUUM KIT R-VAC®

- Insert filter N° 2 into body N° 3
- Screw part N° 1 onto body N° 3 (the tube is fed through body N° 3).

2° POSITIONNING THE VACUUM KIT R-VAC®

- Insert the plastic part N°4 in the lid N°6.
- Insert the vacuum kit R-VAC® into the plastic part N°4. (Beware of the 2 seals)
- Screw part N°5 onto part N°1.

3° USING THE VACUUM KIT R-VAC®

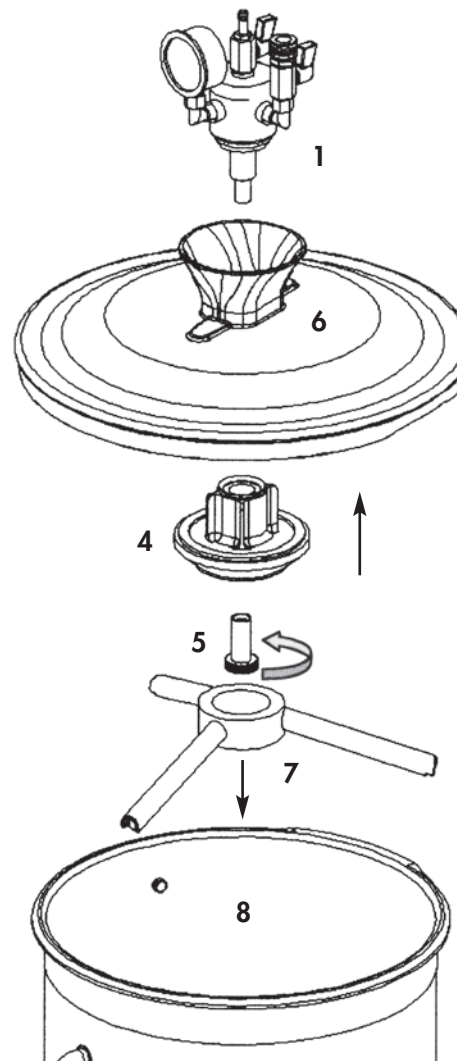
- Connect the vacuum pump to valve A, check that the latter is open (lever in shaft of connector).
- Shut valve B (perpendicular lever).

4° ASSEMBLING THE KIT INTO THE BOWL

- Insert the star support N°7 into the bowl n°8.
- Insert the vacuum kit R-VAC® into the plastic part N°4.
- Screw part N°5 onto part N°1.

5° ADDING LIQUID TO THE MIXTURE

- Attach a tube to valve B.
- Immerse the other end of this tube in the liquid to be added.
- Open valve B slowly; once the liquid has been added, shut valve B.



If you already have a vacuum packing machine, you can connect the kit to the vacuum pump on this machine.

The R-VAC® kit was specifically designed so that liquids can be added to the mixture during processing, while keeping the food under vacuum.



IMPORTANT

It is important to clean the filter regularly in order to maintain the original state of the part.

ACCESSORY

• LID WIPER

Your cutter is fitted with a lid wiper to clean the inside surface of the lid during processing, thereby enabling you to **monitor the preparation**.



• WHEELS

Your cutter can be supplied with 3 retractable wheels (exclusive to ROBOT-COUPÉ) which can be lowered or raised simply by lifting each leg. This makes it easy to move the machine around and thereby facilitates the cleaning of the working surfaces.



OPTIONS

• COARSE SERRATED BLADES

The blade shaft can be fitted with serrated blades, which are used mainly for :

- kneading (shortcrust pastry, flan pastry, almond paste, praline, etc.).
- grinding (frozen foods, shellfish, almonds, etc.).



• FINE SERRATED BLADES

The blade shaft can also be fitted with micro-toothed blades, which are used mainly for chopping herbs (e.g. parsley) and blending.



EXAMPLES OF USE

The cutter will enable you to perform all your cutting tasks in minimum time. We recommend therefore, that you keep a close eye on the mixture in order to obtain the desired results.

USES (lbs)	R 23	R 30	R 45	R 60
CHOPPING				
• MEAT				
Minced beef	22	25	40	55
Sausage meat / tomate stuffing	22	26	40	55
Terrine / saucisson	26	31	48	66
White pudding / liver mousse*	28	35	53	73
Smooth-textured mixtures (frankfurters)	17	22	31	40
• FISH				
Puréed fish*	28	35	53	73
Fish stuffings*	28	35	53	73
• VEGETABLES				
Garlic / parsely / onion / shallots	half bowl volume			
Soup / vegetable purées*	37	46	70	97

• FRUIT				
Compotes / fruit purées	28	35	53	73
EMULSIFYING				
Mayonnaise / aioli / taramasalata	28	35	53	73
Rémoulade sauce	28	35	53	73
Snail / salmon butter	17	22	35	60
KNEADING				
Shortcrust / biscuit pastry	12	16	27	38
Flaky pastry				
Pizza / bread dough				
Brioche dough	11	13	21	26
GRINDING				
Almond paste	13	17	26	37
Praline	24	31	44	62
Seafood / crushed ice	11	13	20	26
Breadcrumbs	13	15	24	33
BLENDING				
Liquid preparations*	35	44	66	88

* In low speed only

The vertical cutter-mixer has numerous other applications. The above quantities are given for guidance only and may vary.

CLEANING



WARNING

As a precaution, always unplug your appliance before cleaning it (hazard of electrocution) and handle the blades with care (hazard of injury).

All parts that come into contact with food are easy to remove and clean. Failure to keep the machine clean can result in tainted food, high repair costs, and shortened machine life. Follow the cleaning instructions detailed below, or clean according to local Health Department Regulations.

Pre-rinse the attachments before washing to remove any bulk food on the parts. A stiff bristle brush or power sprayer faucet attachment is effective in knocking the food out of the crevices of the attachments as a pre-rinse procedure. Follow the instructions below for individual parts.

CLEANING THE BLADE ASSEMBLY

For the purpose of sanitation, the blades must be disassembled (see the maintenance section for instructions) and cleaned at the end of each prep session or three times a day. The blade assembly should be completely disassembled before washing. The blade assembly can be washed in a dish machine or three-tank system pot sink. The washer should have an industry-standard wash, rinse, and sanitization cycle. Allow the parts to air-dry after sanitizing. Apply a little food-grade oil or grease to the threads on the top locking nut before reassembly.

CLEANING THE BOWL

Wash the bowl in a dish machine or three-tank system pot sink. The washer should have an industry-standard wash, rinse, and sanitization cycle. Allow the bowl to air-dry after sanitizing and before reassembly.

CLEANING THE LID

Wash the lid by hand in a three-tank system pot sink. The high temperatures of dish machines can shorten the life of plastics. Wash the lid with a detergent suitable for cleaning plastic parts. Allow the lid to air-dry after sanitizing and before reassembly.

CLEANING THE EXTERIOR FRAME AND HOUSING

Always unplug the machine before cleaning. Do not pressure-wash the machine. Use a cloth dampened with a soapy-water solution to wipe down the exterior.

CLEANING THE SEALS

The seals under the bowl protect the motor and seal the bottom of the bowl. Clean the seals with a soapy-water solution. If necessary, use a small brush to help loosen food particles. After cleaning, lubricate the seals with a food-grade grease or oil.



IMPORTANT

Like the bowl and lid, the blade assembly should also be removed for cleaning after use.

Always dry all the metal parts carefully, especially the blades, to avoid oxidization.

When you are not using your appliance, keep the lid open and do not leave the bowl in the locked position (this will prevent the seals from becoming worn).



IMPORTANT

Check that your detergent is suitable for cleaning the plastic parts. Certain washing agents are too alkaline (e.g. high levels of caustic soda or ammonia) and totally incompatible with certain types of plastic, causing them to deteriorate rapidly.

MAINTENANCE

• BLADES

Wear cut-resistant gloves when handling the blade assembly.

The blades do not need to be razor sharp to provide a quality cut. However, they will need sharpening from time to time. Use the honing stone shipped with the machine, or have the blades sharpened professionally if you prefer. If they become too worn to sharpen, replacement blades are available.

• SHAFT SEALS

The watertightness is achieved by a sealing socket that holds two shaft seals, a stainless steel deflector with integrated V-ring (upside) and an O-ring (downside).

To ensure that the motor remains totally watertight, it is advisable to check the seals for wear once a month, and replace them if necessary.

When the seals are worn, liquid may first run into the bearings, then reach the motor. If this happens, the seals, the bearings and even the motor may have to be replaced.

The seals are easy to replace without having to remove the motor, so you are strongly advised to keep an eye on their state of wear.

• REPLACEMENT OF MOTOR SHAFT SEAL



1) Tools needed



2) Remove the bowl



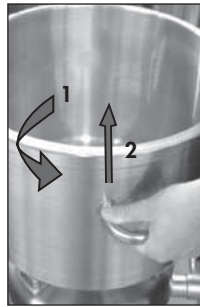
3) Remove the bowl seal



4) Unscrew the 3 bolts



5) Remove bolts and washers



6) Put the bowl back on and pull up



13) Remove 1 mm thick washer



14) Attach the bowl with the pouring lip on the left hand side.



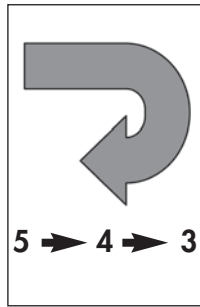
13) It's done !



7) Socket and top seal are free



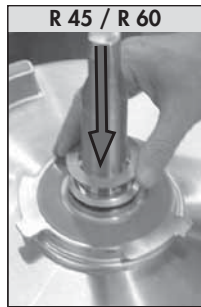
8) Replace shaft seals



9) 5 to 3 in reverse order



10) Replace shaft top seal, place it on shaft chamfer



11) Place 1 mm thick washer



12) Push down blade assy, stop when hits motor shaft

• BOWL SEAL

The bowl seal, located between the bowl and the bushing, ensures that the bowl remains watertight. This sealing part must be regularly lubricated with edible oil and be changed. Check it monthly for signs of wear, as the watertightness of the bowl depends on it.

In order to make it easier for you to clean your appliance, the bowl sealing assembly is located on the underside of the bowl.

As a result, a small area here may fill up with foodstuff, though it will empty itself when the bowl is released.

• DISMANTLING THE BLADE ASSEMBLY

WEAR CUT-RESISTANT GLOVES WHEN HANDLING THE BLADES



- For the purpose of sanitation, the blades should be disassembled and cleaned following each meals preparation,

or at least three times a day.

- Lift the blade assembly out of the appliance

- Remove the bowl

- Place the blade remover to stop on the motor shaft.
- Put the blade assembly back in position.



- Loosen the top locking nut with the provided tool, turning it counter-clockwise.
- Dismantle the blade assembly by hand.

- To reassemble the blades, follow these instructions in the reverse order. Also, refer to the illustrations on page 9.

- **Make sure you tighten the top locking nut properly after reassembling the blades, in order to prevent the latter coming loose.**

• LID SEAL

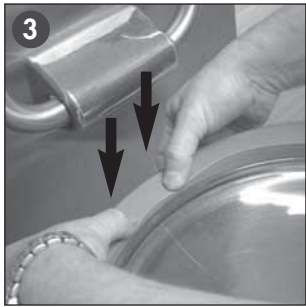
The lid is designed to be completely watertight within the limits set out on page 11 (see examples of use). In order to ensure that it remains that way, you may have to change the seal occasionally, depending on how regularly you use your machine. If you do not use your machine regularly, we recommend that you leave the lid open when it is not in use jobs to preserve all these features.

Take out the worn seal.

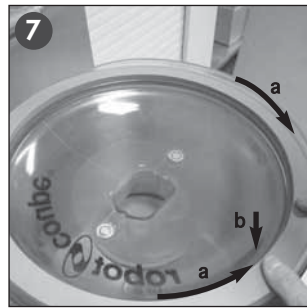
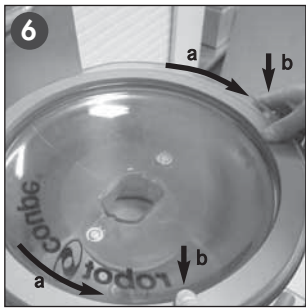
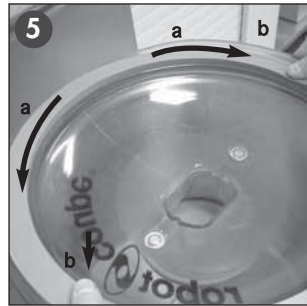
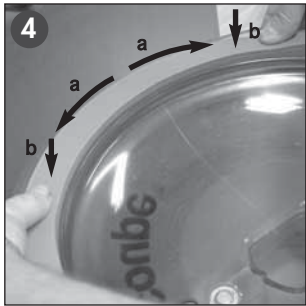


1- With the lid in the open position, turn it $\frac{1}{4}$ in either direction. Then, lift the lid up and out of the slot in the holding bracket.

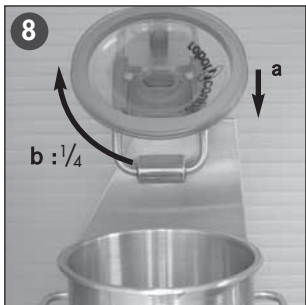
2- Put the lid upside down on top of the bowl.



3 - Install the seal with the seam (where the two ends are joined) on the hinged side of the lid. The inner portion of the seal is grooved to fit the corresponding raised rim on the lid.



4 to 7 - Begin installing the seal on the hinged side of the lid, pressing down on the inner portion of the seal and working your way along each side, until the seal is completely installed.



8 - Put the lid back in the bracket, and give it a $\frac{1}{4}$ turn.

TECHNICAL SPECIFICATIONS

In order to obtain good results when mincing meat, grinding and kneading, we recommend you fill the bowl no more than half-full.

• BOWL CAPACITIES

R 23: 24 quarts
R 30: 29 quarts
R 45: 47 quarts
R 60: 63 quarts

• WEIGHT (lbs)

	Net weight	Gross weight
R 23 / R 30 :	223	289
R 45 :	305	364
R 60 :	331	390

• DIMENSIONS (in inches)

	R 23	R 30	R 45	R 60
A	49 $\frac{1}{4}$	49 $\frac{1}{4}$	55 $\frac{1}{4}$	55 $\frac{1}{4}$
B	12 $\frac{3}{4}$	14 $\frac{1}{4}$	15 $\frac{3}{4}$	17 $\frac{3}{4}$
C	23 $\frac{3}{4}$	23 $\frac{3}{4}$	23 $\frac{3}{4}$	23 $\frac{3}{4}$
D	23 $\frac{1}{4}$	23 $\frac{1}{4}$	25 $\frac{1}{4}$	25 $\frac{1}{4}$
E	64	64	71	71 $\frac{3}{4}$
F	31 $\frac{1}{4}$	31 $\frac{1}{2}$	34 $\frac{1}{4}$	34 $\frac{1}{4}$
G	27 $\frac{3}{4}$	28 $\frac{1}{2}$	30	32

• INSTALLATION

We recommend that you install your vertical cutter-mixer on a flat, stable surface.

• NOISE LEVEL

The equivalent continuous sound pressure level when running these appliances empty is less than 70 dB (A).

• ELECTRICAL DATA

Three-phase machine.

Model	Motor	Speed (rpm)	Rated power (watts)	Rated current (Amp)	Minimum branch * circuit protection required (A)
R 23	208-240 V/60Hz/3ph	1800 3600	3700 4500	16,0 18,2	30
R 30	208-240 V/60Hz/3ph	1800 3600	4400 5400	18,6 23,1	40
R 45	208-240 V/60Hz/3ph	1800 3600	7000 10000	27,0 35,0	60
R 60	208-240 V/60Hz/3ph	1800 3600	8400 12000	32,5 45,0	60

* Recommendation only, local electrical codes must be followed if applicable.

*** NOTE**

When the appliance is switched on, the current is several times greater than the rated current.

“The starting current of appliances must be taken into account when determining the conductor gauge and choosing the overcurrent protective devices to prevent excessive voltage drops during the starting phase and unexpected protective device tripping.”

A protective device dedicated to AC induction motor must be used. See recommended size in the table above. In every case, you must comply with the legislation currently in force.

SAFETY

These appliances are fitted with four interlocking devices.

The machine can be started only if the following conditions are achieved:

- The bowl is locked in the right angular position,
- The bowl and the motor are in vertical position,
- The lid is locked on its support in the correct angular position,
- The lid is closed on the bowl.

Caution: Allow product circulation to stop before opening the lid.

These models are also fitted with a **thermal protection system** (with automatic reset) which stops the motor if it is overloaded. A red warning light signals that the machine is becoming too hot and is about to stop.

If this happens, wait until the appliance has cooled down before switching it back on (the orange light will switch off and the green lights will switch on again).



WARNING

The blades are extremely sharp. Handle with care.



REMEMBER

Never try to override the locking and safety systems.

Never insert a nonfood into the container where the food is being processed.

Never push the ingredients down with your hand.

Do not overload the appliance.

BEFORE STARTING



0 →



1 →



2 →



3 →



4 →



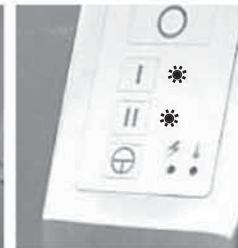
5 →



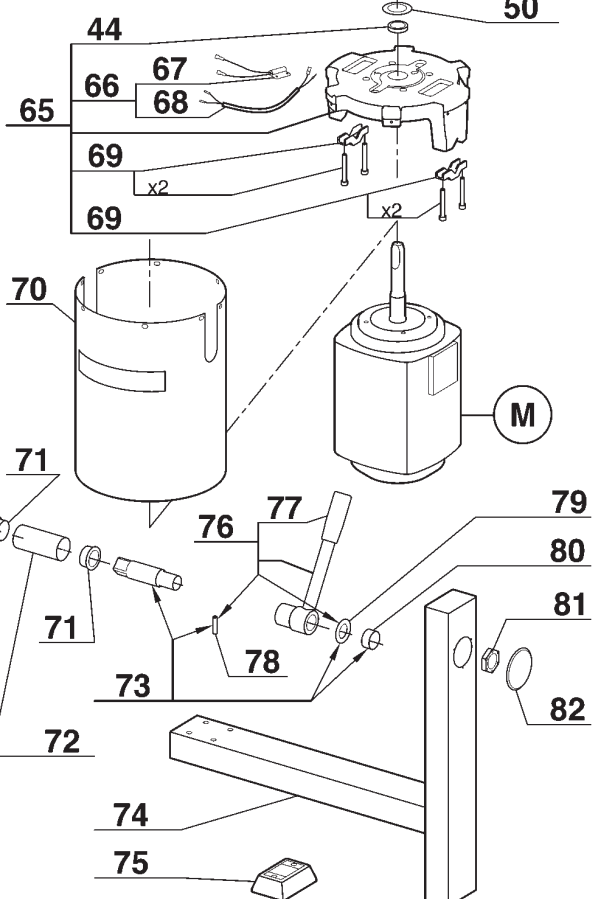
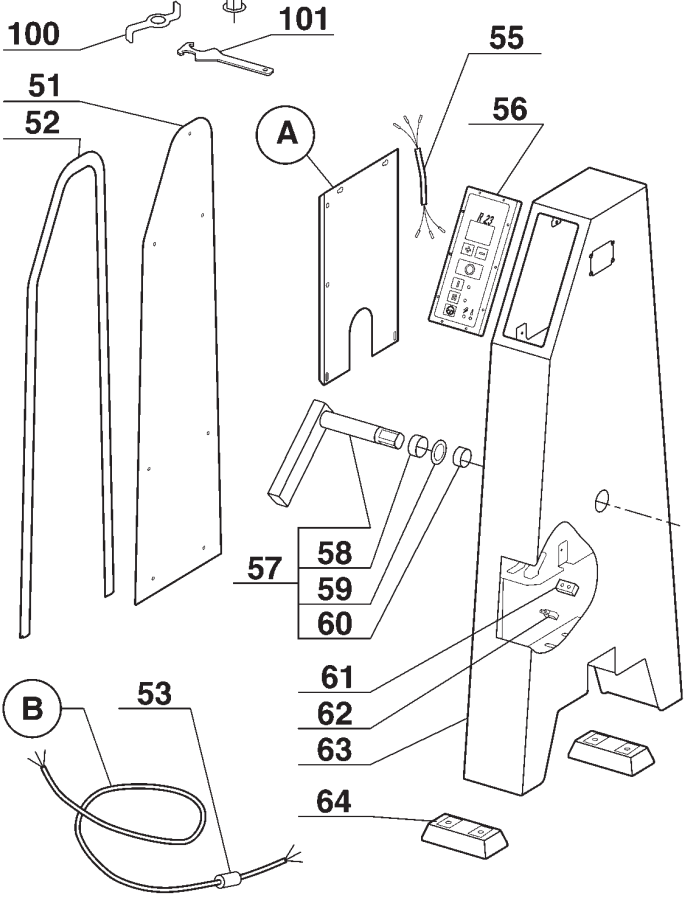
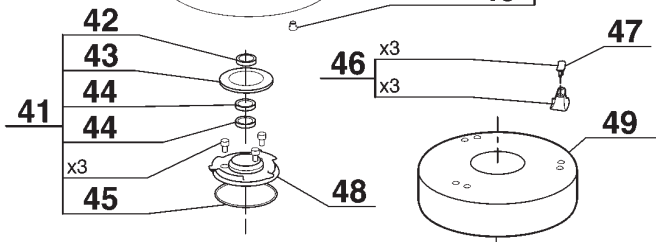
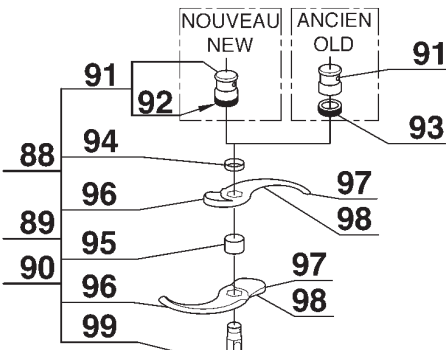
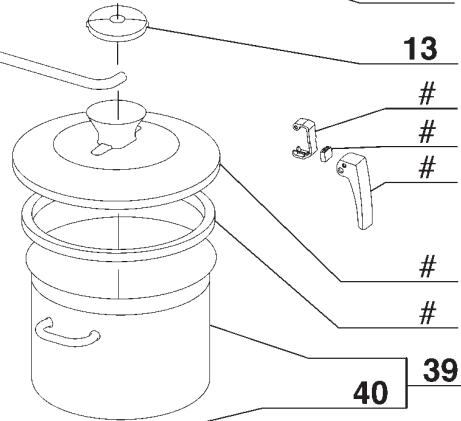
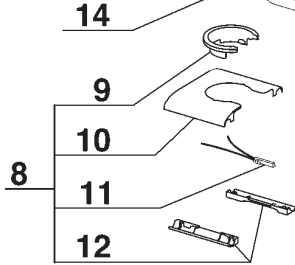
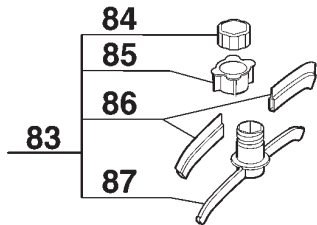
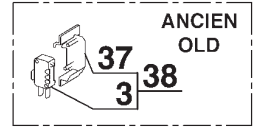
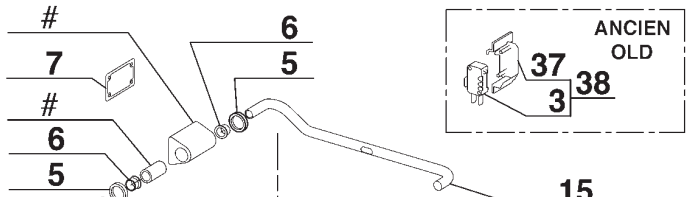
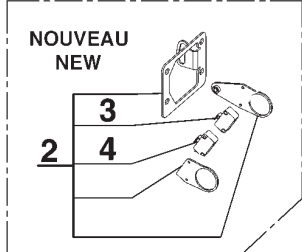
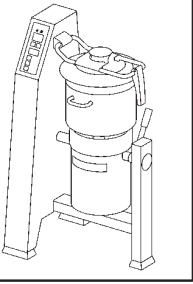
6 →



7



Voir dessin suivant / See next diagram.

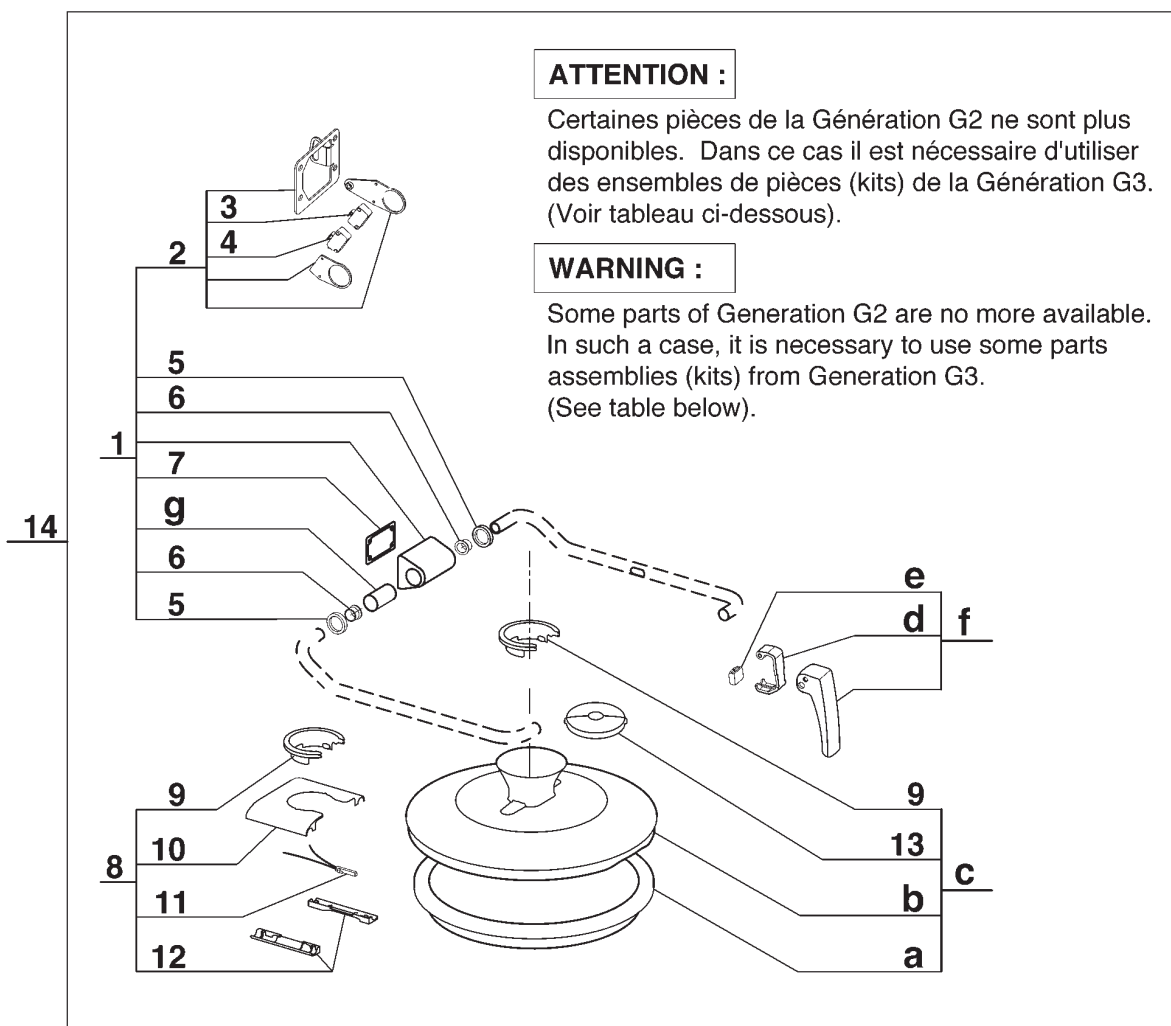


<i>Index</i>	<i>Pièce / Part</i>	<i>Désignation</i>	<i>Description</i>
2	59 273	ENSEMBLE SECURITE BRAS G3	LID ARM SAFETY ASSEMBLY G3
3	501 258	INTERRUPTEUR SECURITE NORMALEMENT FERME	NORMALLY CLOSED SAFETY SWITCH
4	507 250	INTERRUPTEUR SECURITE NORMALEMENT OUVERT	NORMALLY OPENED SAFETY SWITCH
5	501 424	BAGUE ETANCHEITE 20x30x7	SEALING RING 20x30x7
6	118 126	DOUILLE DE GUIDAGE	BUSHING
7	118 255	JOINT PLAT DE CHARNIERE	HINGE FLAT SEAL
8	59 130	ENSEMBLE SUPPORT COUVERCLE	LID SUPPORT ASSEMBLY
9	118 100	GUIDE COUVERCLE	LID GUIDE
10	118 101	SUPPORT COUVERCLE	LID SUPPORT
11	118 132	INTERRUPTEUR SECURITE COUVERCLE	LID SAFETY SWITCH
12	59 131	ENSEMBLE PINCES BRAS	ARM CLIPS ASSEMBLY
13	118 573	BOUCHON SOUPLE	SOFT LID CAP
14	119 205	TUBE GAUCHE	LEFT LID TUBE
15	119 204	TUBE DROIT	RIGHT LID TUBE
37	118 254	SUPPORT INTERRUPTEUR (ANCIEN)	SAFETY SWITCH SUPPORT (OLD)
38	59 127	ENSEMBLE INTERRUPTEUR SECURITE (ANCIEN)	SAFETY SWITCH ASSEMBLY (OLD)
39	59 155	ENSEMBLE CUVE	BOWL ASSEMBLY
40	118 171	BOUCHON SECURITE	SAFETY PLUG
41	59 221	ENSEMBLE JOINTS D'ARBRE	SHAFT SEALS ASSEMBLY
42	507 168	JOINT FACIAL	FACIAL SHAFT SEAL
43	118 153	JOINT FOND DE CUVE	BOWL SEAL
44	501 105	BAGUE A LEVRES 30x40x7	SHAFT SEAL 30x40x7
45	507 050	JOINT TORIQUE 120x3,5 mm	O-RING 120x3.5 mm
46	59 165	ENSEMBLE APPUIS DE CUVE (Qté = 3)	BOWL SUPPORTS ASSEMBLY (Qty = 3)
47	118 595	APPUI CUVE PLASTIQUE	PLASTIC BOWL SUPPORT
48	117 922	DOUILLE PORTE JOINTS	SEALS SOCKET
49	118 151	JUPE HAUTE	UPPER MOTOR COVER
50	118 155	DEFLECTEUR MOTEUR	MOTOR DEFLECTOR
51	117 935	FACE ARRIERE	CASING ACCESS DOOR
52	118 256	JOINT FACE ARRIERE	CASING ACCESS DOOR SEAL
53	59 160	PASSE-FIL	POWER CORD PROTECTOR
55	118 127	FAISCEAU INTERRUPTEUR SECURITE BRAS	LID ARM SAFETY SWITCH HARNESS
56	59 157	ENSEMBLE CLAVIER	CONTROL PANEL ASSEMBLY
57	59 156	ENSEMBLE AXE ARRIERE	BACK TILTING PIVOT ASSEMBLY
58	118 146	ENTRETOISE AXE ARRIERE	BACK TILTING PIVOT SPACER
59	118 147	RONDELLE APPUI ARRIERE	BACK THRUST WASHER
60	118 148	DOUILLE PALIER ARRIERE	BACK BEARING BUSH
61	117 959	BUTEE BASCULEMENT	TILTING STOP
62	507 250	INTERRUPTEUR SECURITE BASCULEMENT	TILTING SAFETY SWITCH
63	117 934	CAISSON	CASING
64	118 186	PIED ARRIERE	CASING FOOT
65	59 197	ENSEMBLE SUPPORT MOTEUR	MOTOR SUPPORT ASSEMBLY
66	118 157	ENSEMBLE INTERRUPTEUR SECURITE CUVE	BOWL SAFETY SWITCH ASSEMBLY
67	119 199	INTERRUPTEUR SECURITE CUVE	BOWL SAFETY SWITCH
68	119 194	FAISCEAU INTERRUPTEUR SECURITE CUVE	BOWL SAFETY SWITCH HARNESS
69	59 223	ENSEMBLE CAVALIER AXE BASCULEMENT	TILTING PIVOT STAPLE ASSEMBLY
70	118 296	JUPE BASSE	LOWER MOTOR COVER
71	118 150	DOUILLE MANCHON	SLEEVE BUSH
72	118 156	MANCHON 87 mm	SLEEVE 107 mm
73	59 137	ENSEMBLE AXE AVANT	FRONT TILTING PIVOT ASSEMBLY
74	118 189	PIEtement	STAND
75	117 958	PIED AVANT	FRONT FOOT
76	59 138	ENSEMBLE LEVIER DE SERRAGE	LOCKING LEVER ASSEMBLY
77	118 142	POIGNEE DE BASCULEMENT	TILTING HANDLE
78	208 582	GOUPILLE AXE DE BASCULEMENT	TILTING SHAFT PIN
79	118 143	RONDELLE D'APPUI AVANT	FRONT THRUST WASHER

<i>Index</i>	<i>Pièce / Part</i>	<i>Désignation</i>	<i>Description</i>
80	118 144	DOUILLE PALIER AVANT	FRONT BEARING BUSH
81	118 166	ECROU REGLAGE BASCULEMENT	TILTING ADJUSTING NUT
82	117 956	BOUCHON	COVER
83	59 205	ENSEMBLE ESSUIE COUVERCLE	LID WIPER ASSEMBLY
84	118 227	ECROU ESSUIE COUVERCLE	LID WIPER NUT
85	118 228	GUIDE ESSUIE COUVERCLE	LID WIPER GUIDE
86	59 236	RACLEURS SOUPLES COUVERCLE (Qty = 2)	LID SOFT WIPER (Qty = 2).
87	118 229	SUPPORT ESSUIE COUVERCLE	LID WIPER SUPPORT
88	57 069	COUTEAU LISSE	STRAIGHT BLADE ASSEMBLY
89	57 070	COUTEAU CRANTE	COARSE SERRATED BLADE ASSEMBLY
90	57 072	COUTEAU DENTE	FINE SERRATED BLADE ASSEMBLY
91	105 904	ECROU COUTEAU AVEC BAGUE PLASTIQUE	BLADE LOCKING NUT WITH PLASTIC WASHER
92	105 906	RONDELLE PLASTIQUE INTEGREE	INTEGRATED PLASTIC WASHER
93	118 203	RONDELLE PLASTIQUE INDEPENDANTE	INDEPENDENT PLASTIC WASHER
94	118 201	BAGUE COUTEAU 10 mm	BLADE SPACER 10 mm
95	118 200	BAGUE COUTEAU 32 mm	BLADE SPACER 32 mm
96	118 217	LAME LISSE	STRAIGHT BLADE
97	118 292	LAME DENTEE	FINE SERRATED BLADE
98	118 294	LAME CRANTEE	COARSE SERRATED BLADE
99	117 930	SUPPORT COUTEAU	BLADE SUPPORT
100	118 268	DEMONTE COUTEAU	BLADE DISMANTLING DEVICE
101	119 200	CLEF DEMONTE COUTEAU	BLADE DISMANTLING WRENCH

<i>Index</i>	<i>Désignation</i>	<i>Description</i>
A	PLATINE DE PUISSANCE	POWER CONTROL BOARD
B	CABLE D'ALIMENTATION	POWER CORD
M	MOTEUR	MOTOR

Type	Machine	Voltage	A	B	M
- 277 - - - - -	51 035	220/60/3	112 317	503 264	303 125
- 346 - - - - -	51 060	480/60/3	112 322	504 491	303 180





ATTENTION :

Certaines pièces de la Génération G2 ne sont plus disponibles. Dans ce cas il est nécessaire d'utiliser des ensembles de pièces (kits) de la Génération G3. (Voir tableau ci-dessous).

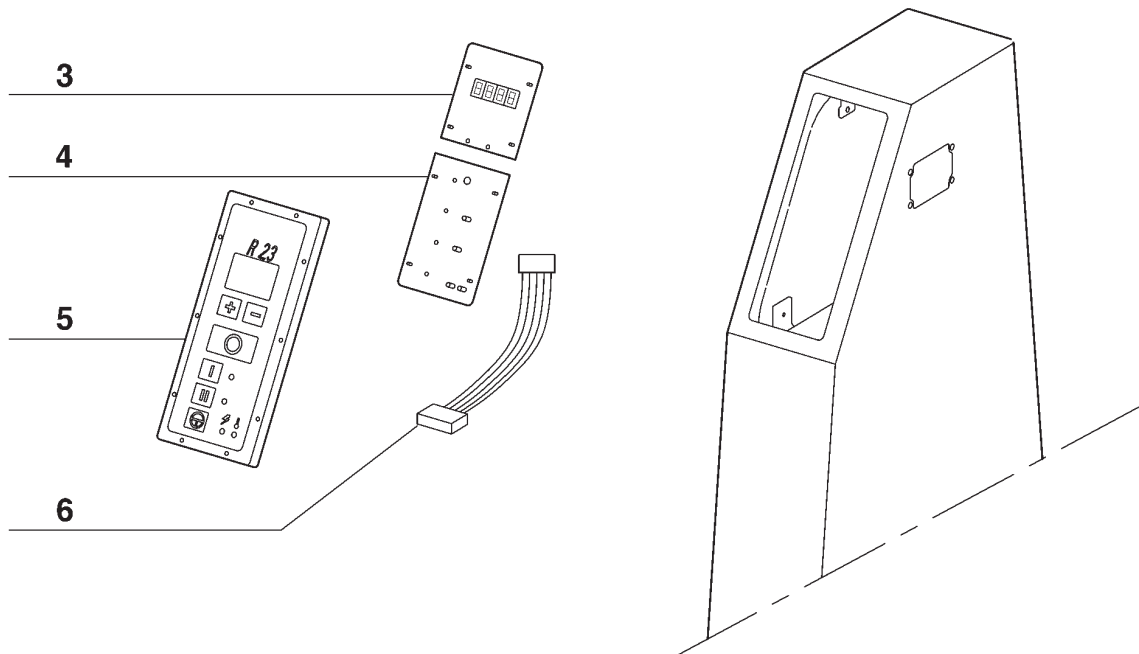
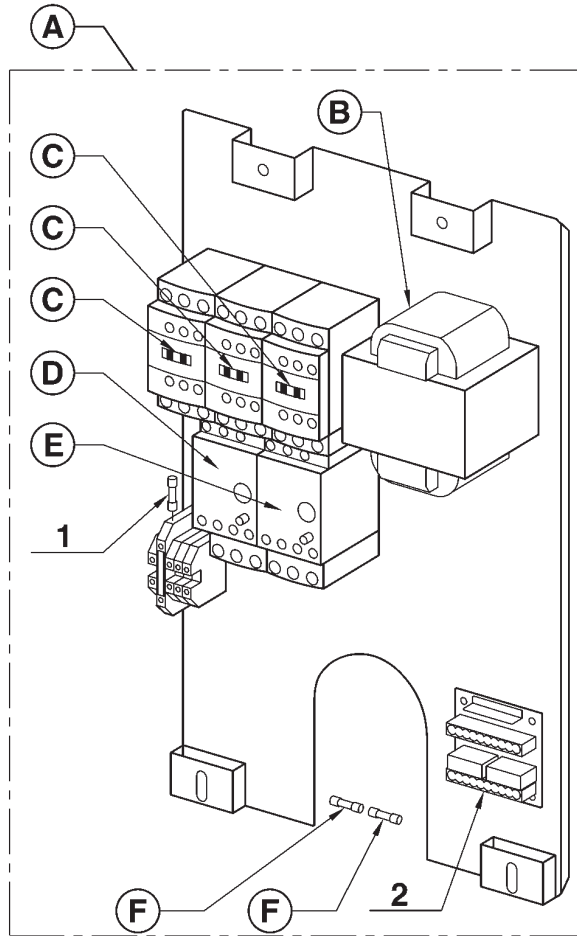
WARNING :

Some parts of Generation G2 are no more available. In such a case, it is necessary to use some parts assemblies (kits) from Generation G3. (See table below).

Déterminer la génération de votre machine selon les formes du crochet et du joint de couvercle.
Determine the generation of your machine according to the lid latch and lid seal shapes.

	 = G2	 = G3
a	15	16
b	17	18
c	19	20
d	17	21
e	Non utilisé G2 / Not used in G2.	22
f	23	
g	1	24

<i>Index</i>	<i>Pièce / Part</i>	<i>Désignation</i>	<i>Description</i>
1	59 128	ENSEMBLE CHARNIERE SECURITE BRAS G3	HINGE ARM ASSEMBLY G3
2	59 273	ENSEMBLE SECURITE BRAS G3	LID ARM SAFETY ASSEMBLY G3
3	501 258	INTER. SECURITE NORMALEMENT FERME G3	NORMALLY CLOSED SAFETY SWITCH G3
4	507 250	INTER. SECURITE NORMALEMENT OUVERT G3	NORMALLY OPENED SAFETY SWITCH G3
5	501 424	BAGUE ETANCHEITE 20x30x7	SEALING RING 20x30 x7
6	118 126	DOUILLE DE GUIDAGE	BUSHING
7	118 255	JOINT PLAT DE CHARNIERE	HINGE FLAT SEAL
8	59 130	ENSEMBLE SUPPORT COUVERCLE	LID SUPPORT ASSEMBLY
9	118 100	GUIDE COUVERCLE	LID GUIDE
10	118 101	SUPPORT COUVERCLE	LID SUPPORT
11	118 132	INTERRUPTEUR SECURITE BRAS	LID ARM SAFETY SWITCH
12	59 131	ENSEMBLE PINCES BRAS	ARM CLIPS ASSEMBLY
13	118 573	BOUCHON SOUPLE	SOFT LID CAP
14	59 324	ENS. BRAS/COUVERCLE COMPLET G3	COMPLETE LID/ARM ASSEMBLY G3
15	119 183	JOINT DE COUVERCLE G2	LID SEAL G2
16	119 263	JOINT DE COUVERCLE G3	LID SEAL G3
17	59 287	KIT MISE A NIVEAU CROCHET + COUVERCLE G2	LID LATCH + LID UPGRADE KIT G2
18	127 523	COUVERCLE G3	LID G3
19	59 306	KIT MISE A NIVEAU ENSEMBLE COUVERCLE G2	LID ASSEMBLY UPGRADE KIT G2
20	59 274	ENSEMBLE COUVERCLE G3	LID ASSEMBLY G3
21	119 267	CROCHET G3	LID LATCH G3
22	119 259	BUTEE DE CROCHET G3	LID LATCH RUBBER STOP G3
23	59 272	ENSEMBLE POIGNEE G3 (Convient pour G2)	HANDLE ASSEMBLY G3 (OK for G2)
24	105 912	CAME INTERRUPTEURS SECURITE G3	SAFETY SWITCHES CAM G3

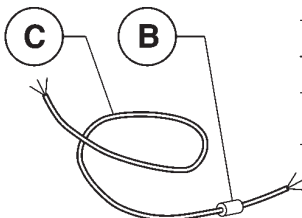
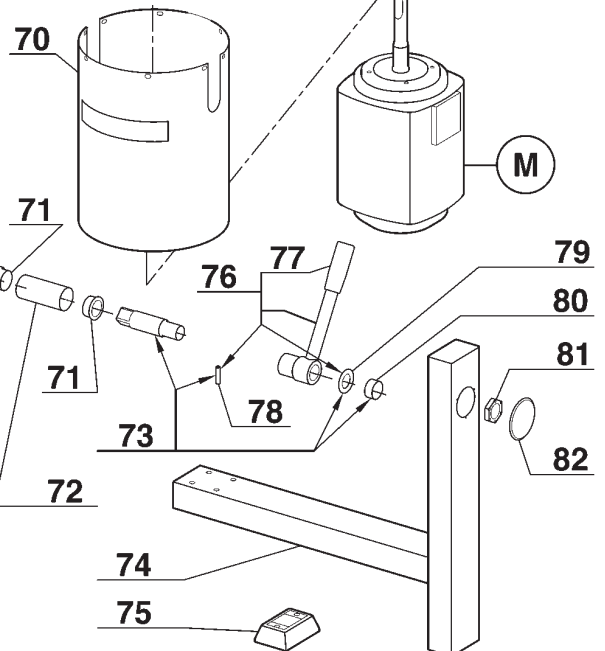
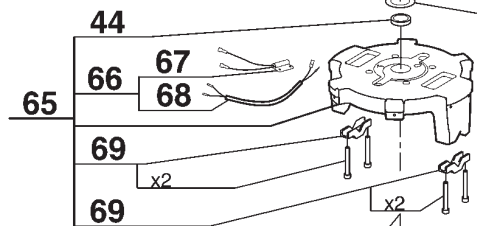
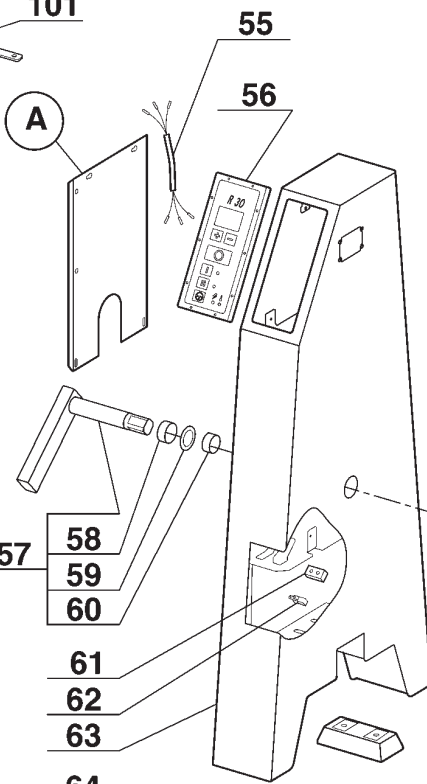
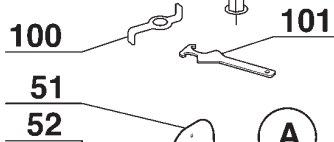
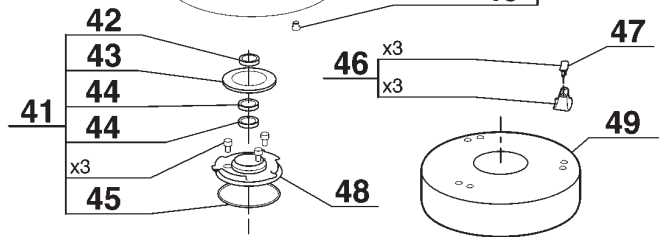
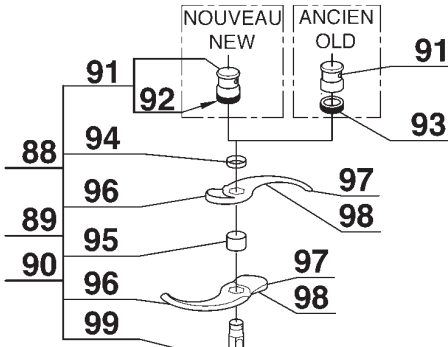
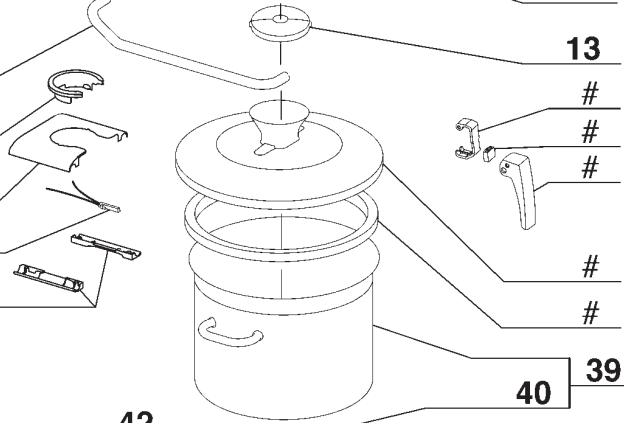
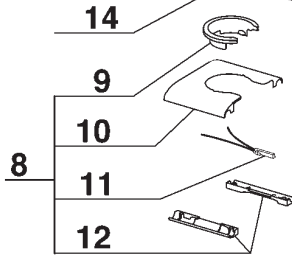
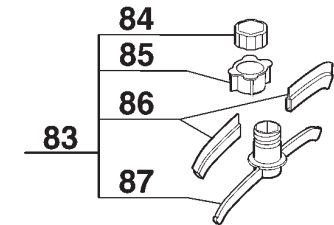
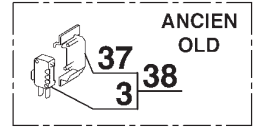
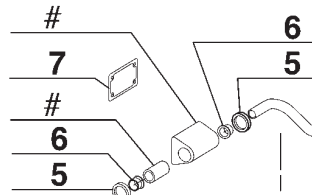
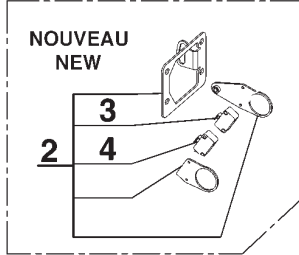
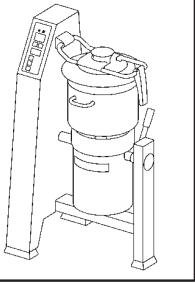


<i>Index</i>	<i>Pièce / Part</i>	<i>Désignation</i>	<i>Description</i>
1	500 537	FUSIBLE PRIMAIRE 9/24V	PRIMARY FUSE 9/24V
2	117 980	CARTE DE CONNEXION	CONNECTING BOARD
3	119 218	CARTE TIMER	TIMER BOARD
4	119 217	CARTE DE COMMANDE	CONTROL BOARD
5	59 157	ENSEMBLE CLAVIER DE COMMANDE	CONTROL PANEL ASSEMBLY
6	117 982	LIMANDE DE LIAISON	LINK CABLE

<i>Index</i>	<i>Désignation</i>	<i>Description</i>
A	PLATINE DE PUISSANCE	POWER CONTROL BOARD
B	TRANSFORMATEUR	TRANSFORMER
C	CONTACTEUR	CONTACTOR
D	CONTACTEUR	CONTACTOR
E	CONTACTEUR	CONTACTOR
F	FUSIBLE SECONDAIRE	SECONDARY FUSE

Type	Machine	Voltage	A	B	C	D	E	F
- 277 - - - - -	51 035	220/60/3	112 317	507 200	503 364	507 202	507 203	504 253
- 346 - - - - -	51 060	480/60/3	112 322	507 235		507 236		

Voir dessin suivant / See next diagram.

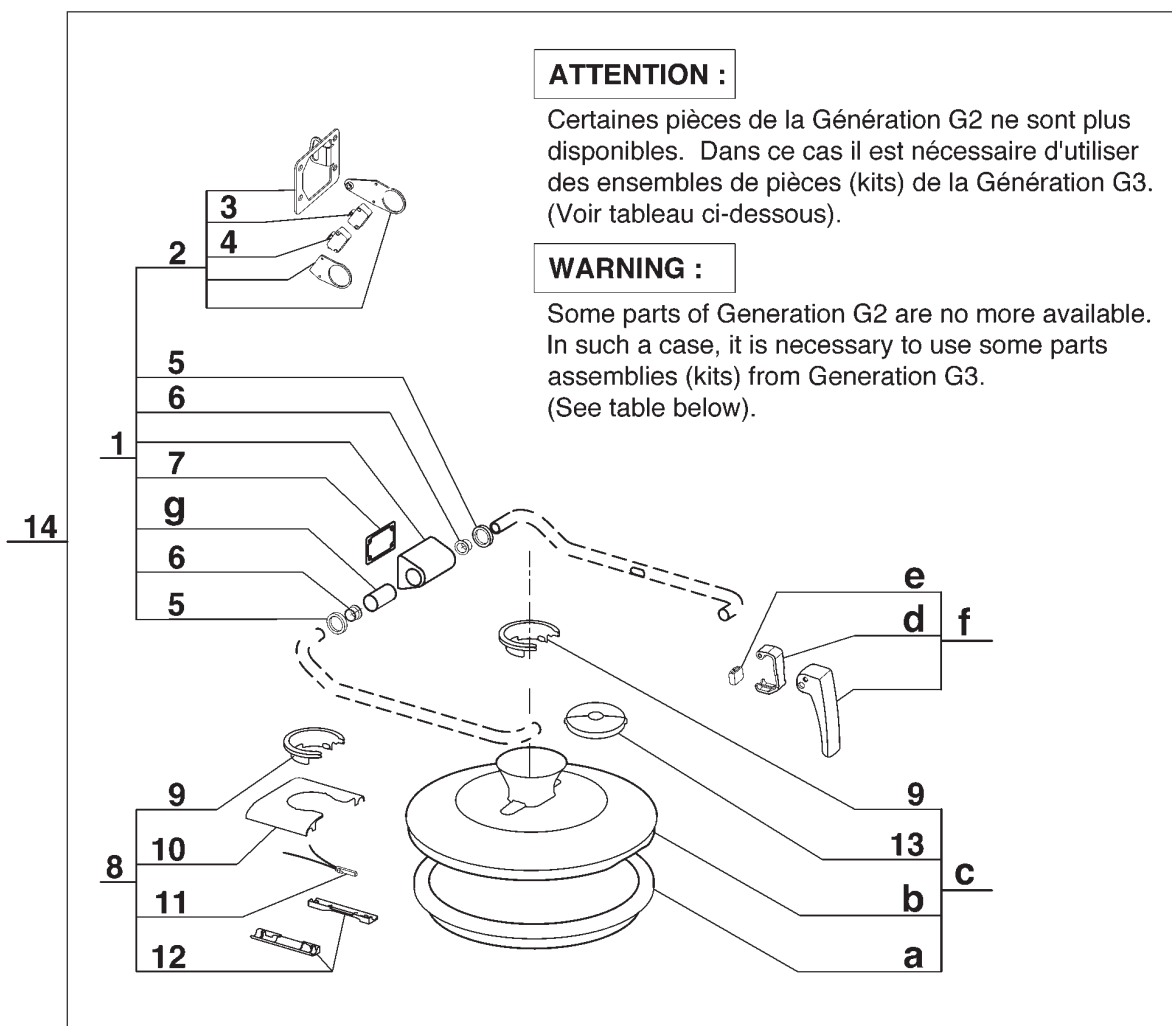


<i>Index</i>	<i>Pièce / Part</i>	<i>Désignation</i>	<i>Description</i>
2	59 273	ENSEMBLE SECURITE BRAS G3	LID ARM SAFETY ASSEMBLY G3
3	501 258	INTERRUPTEUR SECURITE NORMALEMENT FERME	NORMALLY CLOSED SAFETY SWITCH
4	507 250	INTERRUPTEUR SECURITE NORMALEMENT OUVERT	NORMALLY OPENED SAFETY SWITCH
5	501 424	BAGUE ETANCHEITE 20x30x7	SEALING RING 20x30x7
6	118 126	DOUILLE DE GUIDAGE	BUSHING
7	118 255	JOINT PLAT DE CHARNIERE	HINGE FLAT SEAL
8	59 130	ENSEMBLE SUPPORT COUVERCLE	LID SUPPORT ASSEMBLY
9	118 100	GUIDE COUVERCLE	LID GUIDE
10	118 101	SUPPORT COUVERCLE	LID SUPPORT
11	118 132	INTERRUPTEUR SECURITE COUVERCLE	LID SAFETY SWITCH
12	59 131	ENSEMBLE PINCES BRAS	ARM CLIPS ASSEMBLY
13	118 573	BOUCHON SOUPLE	SOFT LID CAP
14	119 207	TUBE GAUCHE	LEFT LID TUBE
15	116 206	TUBE DROIT	RIGHT LID TUBE
37	118 254	SUPPORT INTERRUPTEUR (ANCIEN)	SAFETY SWITCH SUPPORT (OLD)
38	59 127	ENSEMBLE INTERRUPTEUR SECURITE (ANCIEN)	SAFETY SWITCH ASSEMBLY (OLD)
39	59 132	ENSEMBLE CUVE	BOWL ASSEMBLY
40	118 171	BOUCHON SECURITE	SAFETY PLUG
41	59 221	ENSEMBLE JOINTS D'ARBRE	SHAFT SEALS ASSEMBLY
42	507 168	JOINT FACIAL	FACIAL SHAFT SEAL
43	118 153	JOINT FOND DE CUVE	BOWL SEAL
44	501 105	BAGUE A LEVRES 30x40x7	SHAFT SEAL 30x40x7
45	507 050	JOINT TORIQUE 120x3,5 mm	O-RING 120x3.5 mm
46	59 165	ENSEMBLE APPUIS DE CUVE (Qté = 3)	BOWL SUPPORTS ASSEMBLY (Qty = 3)
47	118 595	APPUI CUVE PLASTIQUE	PLASTIC BOWL SUPPORT
48	117 922	DOUILLE PORTE JOINTS	SEALS SOCKET
49	118 151	JUPE HAUTE	UPPER MOTOR COVER
50	118 155	DEFLECTEUR MOTEUR	MOTOR DEFLECTOR
51	117 935	FACE ARRIERE	CASING ACCESS DOOR
52	118 256	JOINT FACE ARRIERE	CASING ACCESS DOOR SEAL
53	501 773	PASSE-FIL	POWER CORD PROTECTOR
54	502 687	CABLE	POWER CORD
55	118 127	FAISCEAU INTERRUPTEUR SECURITE BRAS	LID ARM SAFETY SWITCH HARNESS
56	59 139	ENSEMBLE CLAVIER	CONTROL PANEL ASSEMBLY
57	59 135	ENSEMBLE AXE ARRIERE	BACK TILTING PIVOT ASSEMBLY
58	118 146	ENTRETOISE AXE ARRIERE	BACK TILTING PIVOT SPACER
59	118 147	RONDELLE APPUI ARRIERE	BACK THRUST WASHER
60	118 148	DOUILLE PALIER ARRIERE	BACK BEARING BUSH
61	117 959	BUTEE BASCULEMENT	TILTING STOP
62	507 007	INTERRUPTEUR SECURITE BASCULEMENT	TILTING SAFETY SWITCH
63	117 934	CAISSON	CASING
64	118 186	PIED ARRIERE	CASING FOOT
65	59 197	ENSEMBLE SUPPORT MOTEUR	MOTOR SUPPORT ASSEMBLY
66	118 157	ENSEMBLE INTERRUPTEUR SECURITE CUVE	BOWL SAFETY SWITCH ASSEMBLY
67	119 199	INTERRUPTEUR SECURITE CUVE	BOWL SAFETY SWITCH
68	119 194	FAISCEAU INTERRUPTEUR SECURITE CUVE	BOWL SAFETY SWITCH HARNESS
69	59 223	ENSEMBLE CAVALIER AXE BASCULEMENT	TILTING PIVOT STAPLE ASSEMBLY
70	118 296	JUPE BASSE	LOWER MOTOR COVER
71	118 150	DOUILLE MANCHON	SLEEVE BUSH
72	118 149	MANCHON 107 mm	SLEEVE 107 mm
73	59 137	ENSEMBLE AXE AVANT	FRONT TILTING PIVOT ASSEMBLY
74	117 936	PIETEMET	STAND
75	117 958	PIED AVANT	FRONT FOOT
76	59 138	ENSEMBLE LEVIER DE SERRAGE	LOCKING LEVER ASSEMBLY
77	118 142	POIGNEE DE BASCULEMENT	TILTING HANDLE
78	208 582	GOUPILLE AXE DE BASCULEMENT	TILTING SHAFT PIN

<i>Index</i>	<i>Pièce / Part</i>	<i>Désignation</i>	<i>Description</i>
79	118 143	RONDELLE D'APPUI AVANT	FRONT THRUST WASHER
80	118 144	DOUILLE PALIER AVANT	FRONT BEARING BUSH
81	118 166	ECROU REGLAGE BASCULEMENT	TILTING ADJUSTING NUT
82	117 956	BOUCHON	COVER
83	59 206	ENSEMBLE ESSUIE COUVERCLE	LID WIPER ASSEMBLY
84	118 227	ECROU ESSUIE COUVERCLE	LID WIPER NUT
85	118 228	GUIDE ESSUIE COUVERCLE	LID WIPER GUIDE
86	59 237	RACLEURS SOUPLES COUVERCLE (Qté = 2)	LID SOFT WIPER (Qty = 2).
87	118 221	SUPPORT ESSUIE COUVERCLE	LID WIPER SUPPORT
88	57 074	COUTEAU LISSE	STRAIGHT BLADE ASSEMBLY
89	57 075	COUTEAU CRANTE	COARSE SERRATED BLADE ASSEMBLY
90	57 077	COUTEAU DENTE	FINE SERRATED BLADE ASSEMBLY
91	105 904	ECROU COUTEAU AVEC BAGUE PLASTIQUE	BLADE LOCKING NUT WITH PLASTIC WASHER
92	105 906	RONDELLE PLASTIQUE INTEGREE	INTEGRATED PLASTIC WASHER
93	118 203	RONDELLE PLASTIQUE INDEPENDANTE	INDEPENDENT PLASTIC WASHER
94	118 201	BAGUE COUTEAU 10 mm	BLADE SPACER 10 mm
95	118 200	BAGUE COUTEAU 32 mm	BLADE SPACER 32 mm
96	117 950	LAME LISSE	STRAIGHT BLADE
97	118 241	LAME DENTEE	FINE SERRATED BLADE
98	118 286	LAME CRANTEE	COARSE SERRATED BLADE
99	117 930	SUPPORT COUTEAU	BLADE SUPPORT
100	118 268	DEMONTE COUTEAU	BLADE DISMANTLING DEVICE
101	119 200	CLEF DEMONTE COUTEAU	BLADE DISMANTLING WRENCH

<i>Index</i>	<i>Désignation</i>	<i>Description</i>
A	PLATINE DE PUISSANCE	POWER CONTROL BOARD
B	PASSE-FIL	POWER CORD PROTECTOR
C	CABLE D'ALIMENTATION	POWER CORD
M	MOTEUR	MOTOR

Type	Machine	Voltage	A	B	C	M
- 279 - - - - -	52 035	220/60/3	112 318	59 167	503 266	303 121
- 347 - - - - -	52 061	480/60/3	112 322	59 160	504 491	303 181





ATTENTION :

Certaines pièces de la Génération G2 ne sont plus disponibles. Dans ce cas il est nécessaire d'utiliser des ensembles de pièces (kits) de la Génération G3. (Voir tableau ci-dessous).

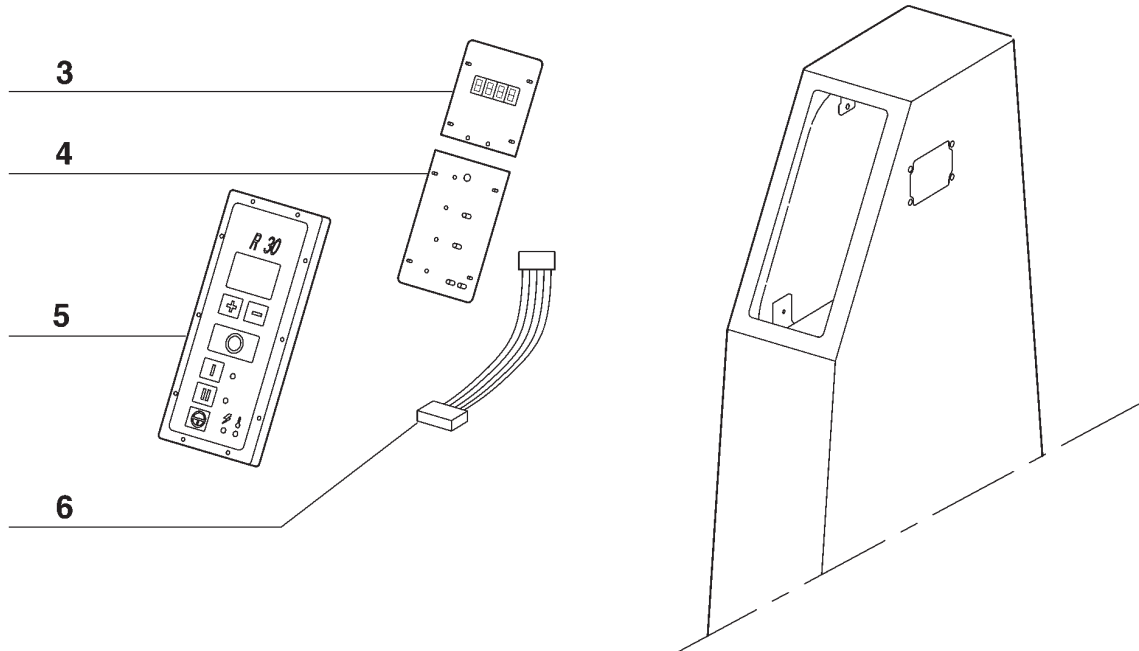
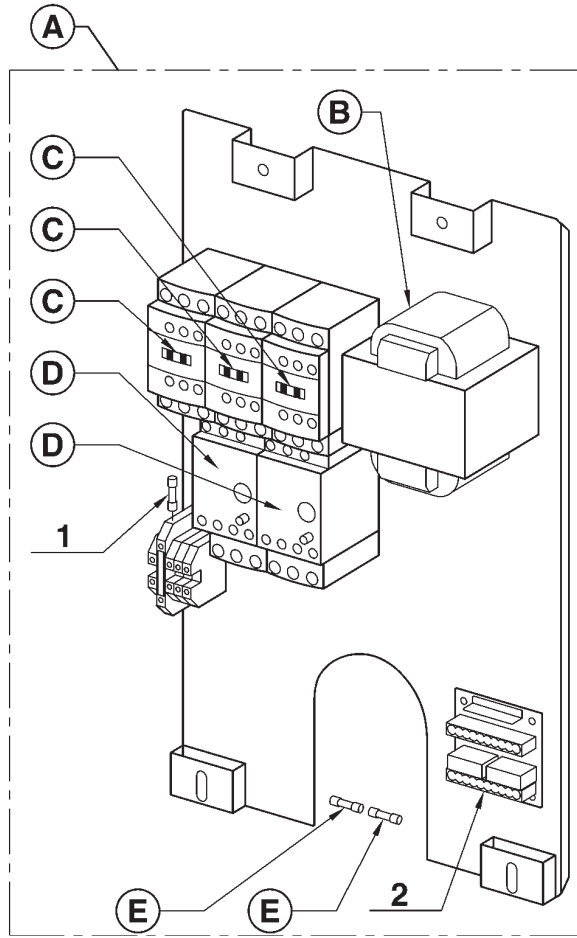
WARNING :

Some parts of Generation G2 are no more available. In such a case, it is necessary to use some parts assemblies (kits) from Generation G3. (See table below).

Déterminer la génération de votre machine selon les formes du crochet et du joint de couvercle.
Determine the generation of your machine according to the lid latch and lid seal shapes.

	 = G2	 = G3
a	15	16
b	17	18
c	19	20
d	17	21
e	Non utilisé G2 / Not used in G2.	
f	23	
g	1	24

<i>Index</i>	<i>Pièce / Part</i>	<i>Désignation</i>	<i>Description</i>
1	59 128	ENSEMBLE CHARNIERE SECURITE BRAS G3	HINGE ARM ASSEMBLY G3
2	59 273	ENSEMBLE SECURITE BRAS G3	LID ARM SAFETY ASSEMBLY G3
3	501 258	INTER. SECURITE NORMALEMENT FERME G3	NORMALLY CLOSED SAFETY SWITCH G3
4	507 250	INTER. SECURITE NORMALEMENT OUVERT G3	NORMALLY OPENED SAFETY SWITCH G3
5	501 424	BAGUE ETANCHEITE 20x30x7	SEALING RING 20x30 x7
6	118 126	DOUILLE DE GUIDAGE	BUSHING
7	118 255	JOINT PLAT DE CHARNIERE	HINGE FLAT SEAL
8	59 130	ENSEMBLE SUPPORT COUVERCLE	LID SUPPORT ASSEMBLY
9	118 100	GUIDE COUVERCLE	LID GUIDE
10	118 101	SUPPORT COUVERCLE	LID SUPPORT
11	118 132	INTERRUPTEUR SECURITE BRAS	LID ARM SAFETY SWITCH
12	59 131	ENSEMBLE PINCES BRAS	ARM CLIPS ASSEMBLY
13	118 573	BOUCHON SOUPLE	SOFT LID CAP
14	59 325	ENS. BRAS/COUVERCLE COMPLET G3	COMPLETE LID/ARM ASSEMBLY G3
15	119 184	JOINT DE COUVERCLE G2	LID SEAL G2
16	119 264	JOINT DE COUVERCLE G3	LID SEAL G3
17	59 288	KIT MISE A NIVEAU CROCHET + COUVERCLE G2	LID LATCH + LID UPGRADE KIT G2
18	127 524	COUVERCLE G3	LID G3
19	59 307	KIT MISE A NIVEAU ENSEMBLE COUVERCLE G2	LID ASSEMBLY UPGRADE KIT G2
20	59 275	ENSEMBLE COUVERCLE G3	LID ASSEMBLY G3
21	119 267	CROCHET G3	LID LATCH G3
22	119 259	BUTEE DE CROCHET G3	LID LATCH RUBBER STOP G3
23	59 272	ENSEMBLE POIGNEE G3 (Convient pour G2)	HANDLE ASSEMBLY G3 (OK for G2)
24	105 912	CAME INTERRUPTEURS SECURITE G3	SAFETY SWITCHES CAM G3

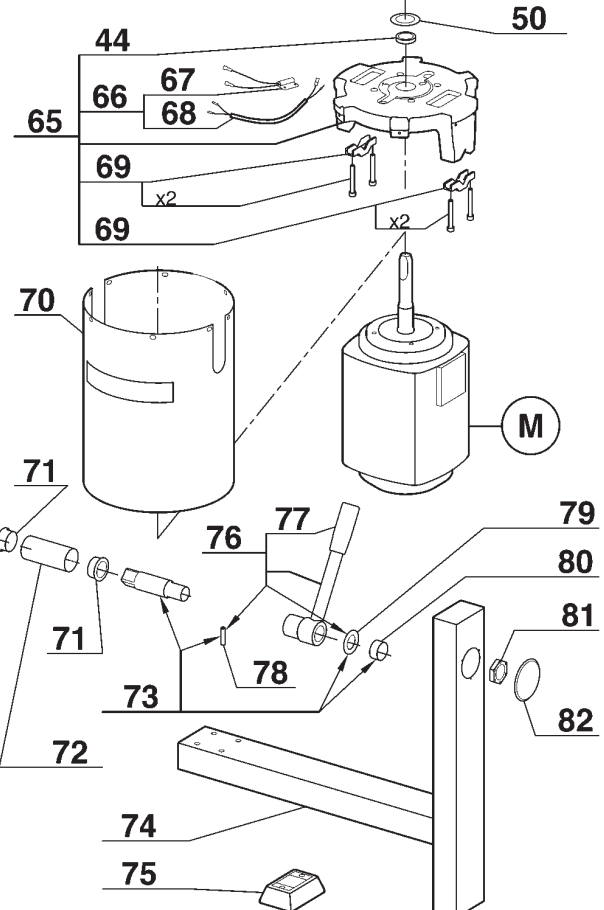
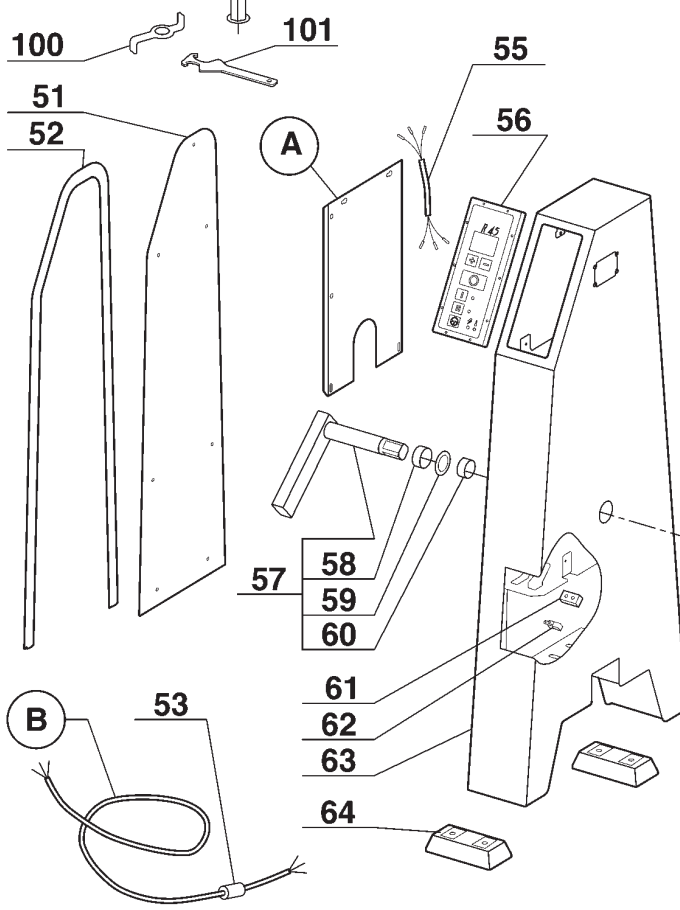
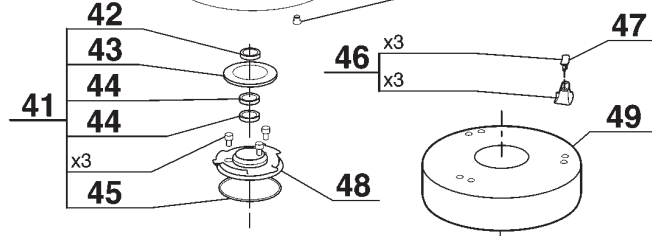
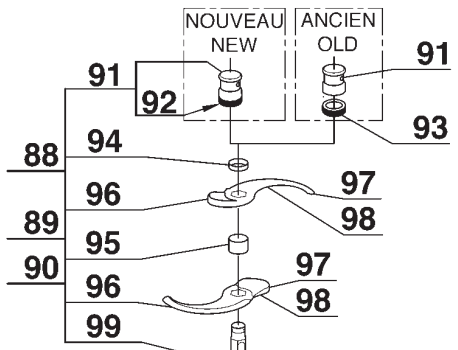
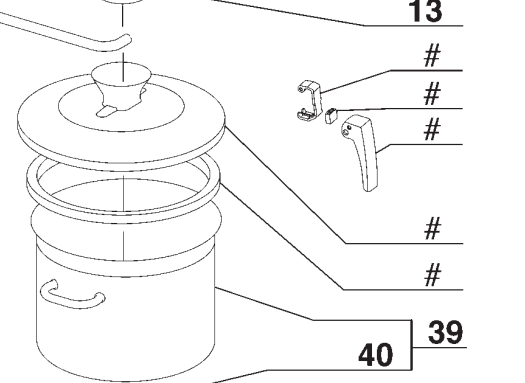
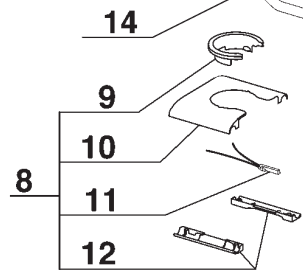
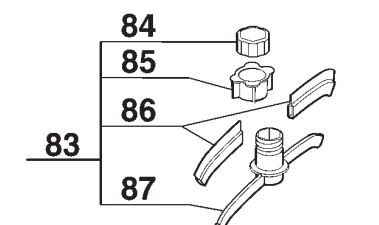
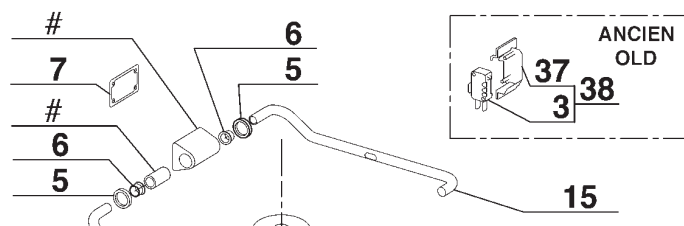
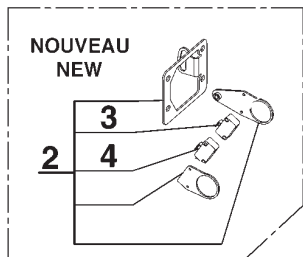
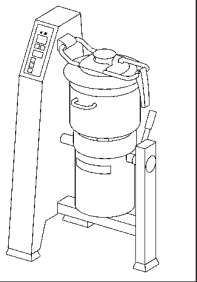


<i>Index</i>	<i>Pièce / Part</i>	<i>Désignation</i>	<i>Description</i>
1	500 537	FUSIBLE PRIMAIRE 9/24V	PRIMARY FUSE 9/24V
2	117 980	CARTE DE CONNEXION	CONNECTING BOARD
3	119 218	CARTE TIMER	TIMER BOARD
4	119 217	CARTE DE COMMANDE	CONTROL BOARD
5	59 139	ENSEMBLE CLAVIER DE COMMANDE	CONTROL PANEL ASSEMBLY
6	117 982	LIMANDE DE LIAISON	LINK CABLE

<i>Index</i>	<i>Désignation</i>	<i>Description</i>
A	PLATINE DE PUISSANCE	POWER CONTROL BOARD
B	TRANSFORMATEUR	TRANSFORMER
C	CONTACTEUR	CONTACTOR
D	CONTACTEUR	CONTACTOR
E	FUSIBLE SECONDAIRE	SECONDARY FUSE

Type	Machine	Voltage	A	B	C	D	E
- 279 - - - - -	52 035	220/60/3	112 318	507 200	503 362	507 203	504 253
- 347 - - - - -	52 061	480/60/3	112 322	507 235	503 364	507 236	

Voir dessin suivant / See next diagram.

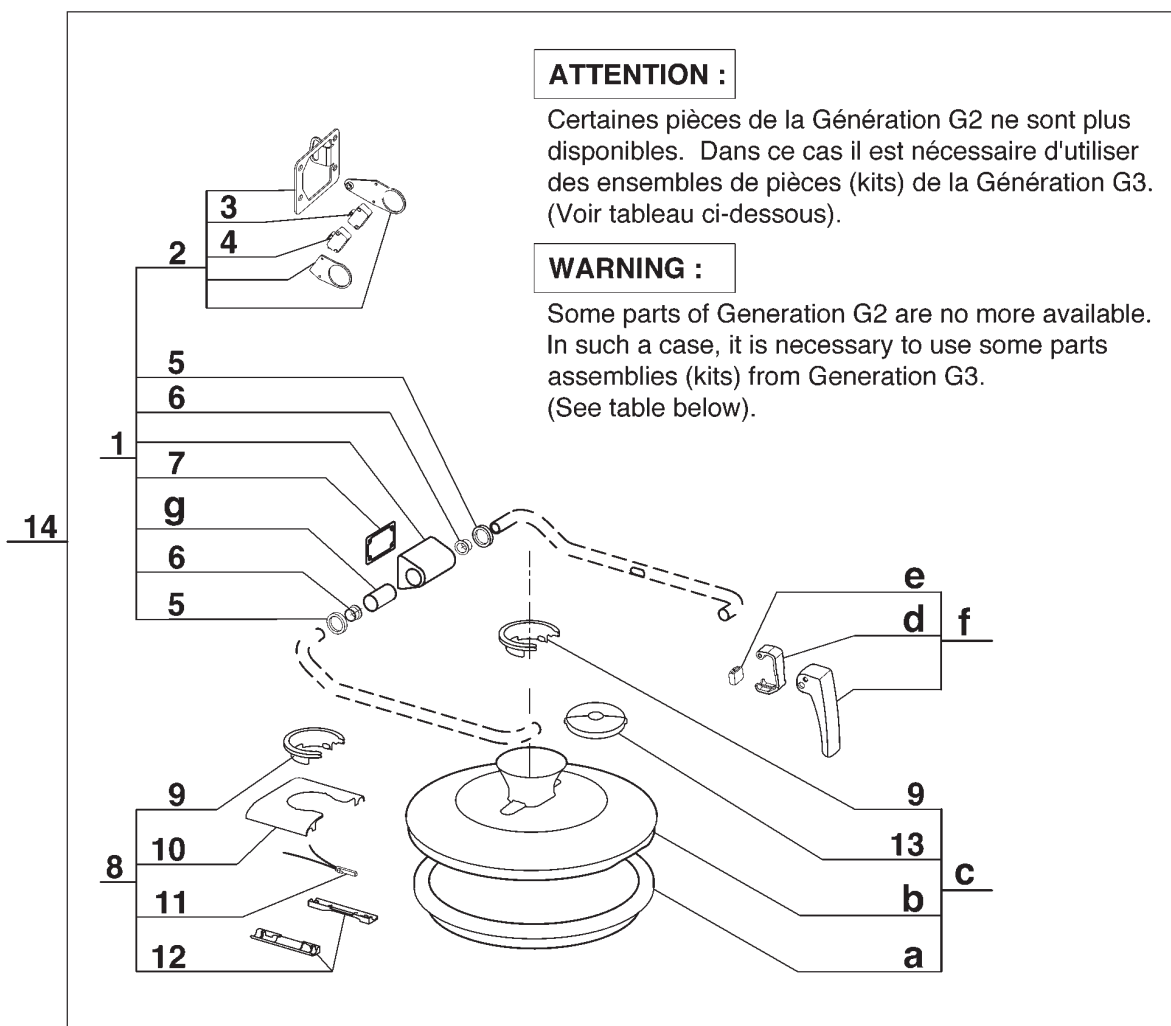


<i>Index</i>	<i>Pièce / Part</i>	<i>Désignation</i>	<i>Description</i>
2	59 273	ENSEMBLE SECURITE BRAS G3	LID ARM SAFETY ASSEMBLY G3
3	501 258	INTERRUPTEUR SECURITE NORMALEMENT FERME	NORMALLY CLOSED SAFETY SWITCH
4	507 250	INTERRUPTEUR SECURITE NORMALEMENT OUVERT	NORMALLY OPENED SAFETY SWITCH
5	501 424	BAGUE ETANCHEITE 20x30x7	SEALING RING 20x30x7
6	118 126	DOUILLE DE GUIDAGE	BUSHING
7	118 255	JOINT PLAT DE CHARNIERE	HINGE FLAT SEAL
8	59 130	ENSEMBLE SUPPORT COUVERCLE	LID SUPPORT ASSEMBLY
9	118 100	GUIDE COUVERCLE	LID GUIDE
10	118 101	SUPPORT COUVERCLE	LID SUPPORT
11	118 132	INTERRUPTEUR SECURITE COUVERCLE	LID SAFETY SWITCH
12	59 131	ENSEMBLE PINCES BRAS	ARM CLIPS ASSEMBLY
13	118 573	BOUCHON SOUPLE	SOFT LID CAP
14	119 209	TUBE GAUCHE	LEFT LID TUBE
15	119 208	TUBE DROIT	RIGHT LID TUBE
37	118 254	SUPPORT INTERRUPTEUR (ANCIEN)	SAFETY SWITCH SUPPORT (OLD)
38	59 127	ENSEMBLE INTERRUPTEUR SECURITE (ANCIEN)	SAFETY SWITCH ASSEMBLY (OLD)
39	59 142	ENSEMBLE CUVE	BOWL ASSEMBLY
40	118 171	BOUCHON SECURITE	SAFETY PLUG
41	59 222	ENSEMBLE JOINTS D'ARBRE	SHAFT SEALS ASSEMBLY
42	59 168	JOINT FACIAL	FACIAL SHAFT SEAL
43	118 153	JOINT FOND DE CUVE	BOWL SEAL
44	507 054	BAGUE A LEVRES 40x52x7	SHAFT SEAL 30x40x7
45	507 050	JOINT TORIQUE 120x3,5 mm	O-RING 120x3.5 mm
46	59 165	ENSEMBLE APPUIS DE CUVE (Qté = 3)	BOWL SUPPORTS ASSEMBLY (Qty = 3)
47	118 595	APPUI CUVE PLASTIQUE	PLASTIC BOWL SUPPORT
48	117 928	DOUILLE PORTE JOINTS	SEALS SOCKET
49	118 175	JUPE HAUTE	UPPER MOTOR COVER
50	118 174	DEFLECTEUR MOTEUR	MOTOR DEFLECTOR
51	117 940	FACE ARRIERE	CASING ACCESS DOOR
52	118 257	JOINT FACE ARRIERE	CASING ACCESS DOOR SEAL
53	59 167	PASSE-FIL	POWER CORD PROTECTOR
55	118 127	FAISCEAU INTERRUPTEUR SECURITE BRAS	LID ARM SAFETY SWITCH HARNESS
56	59 145	ENSEMBLE CLAVIER	CONTROL PANEL ASSEMBLY
57	59 135	ENSEMBLE AXE ARRIERE	BACK TILTING PIVOT ASSEMBLY
58	118 146	ENTRETOISE AXE ARRIERE	BACK TILTING PIVOT SPACER
59	118 147	RONDELLE APPUI ARRIERE	BACK THRUST WASHER
60	118 148	DOUILLE PALIER ARRIERE	BACK BEARING BUSH
61	117 959	BUTEE BASCULEMENT	TILTING STOP
62	507 250	INTERRUPTEUR SECURITE BASCULEMENT	TILTING SAFETY SWITCH
63	117 939	CAISSON	CASING
64	118 186	PIED ARRIERE	CASING FOOT
65	59 198	ENSEMBLE SUPPORT MOTEUR	MOTOR SUPPORT ASSEMBLY
66	118 157	ENSEMBLE INTERRUPTEUR SECURITE CUVE	BOWL SAFETY SWITCH ASSEMBLY
67	119 199	INTERRUPTEUR SECURITE CUVE	BOWL SAFETY SWITCH
68	119 194	FAISCEAU INTERRUPTEUR SECURITE CUVE	BOWL SAFETY SWITCH HARNESS
69	59 223	ENSEMBLE CAVALIER AXE BASCULEMENT	TILTING PIVOT STAPLE ASSEMBLY
70	118 297	JUPE BASSE	LOWER MOTOR COVER
71	118 150	DOUILLE MANCHON	SLEEVE BUSH
72	118 149	MANCHON 107 mm	SLEEVE 107 mm
73	59 137	ENSEMBLE AXE AVANT	FRONT TILTING PIVOT ASSEMBLY
74	117 941	PIEtement	STAND
75	117 958	PIED AVANT	FRONT FOOT
76	59 138	ENSEMBLE LEVIER DE SERRAGE	LOCKING LEVER ASSEMBLY
77	118 142	POIGNEE DE BASCULEMENT	TILTING HANDLE
78	208 582	GOUPILLE AXE DE BASCULEMENT	TILTING SHAFT PIN
79	118 143	RONDELLE D'APPUI AVANT	FRONT THRUST WASHER

<i>Index</i>	<i>Pièce / Part</i>	<i>Désignation</i>	<i>Description</i>
80	118 144	DOUILLE PALIER AVANT	FRONT BEARING BUSH
81	118 166	ECROU REGLAGE BASCULEMENT	TILTING ADJUSTING NUT
82	117 956	BOUCHON	COVER
83	59 207	ENSEMBLE ESSUIE COUVERCLE	LID WIPER ASSEMBLY
84	118 227	ECROU ESSUIE COUVERCLE	LID WIPER NUT
85	118 228	GUIDE ESSUIE COUVERCLE	LID WIPER GUIDE
86	59 238	RACLEURS SOUPLES COUVERCLE (Qté = 2)	LID SOFT WIPER (Qty = 2).
87	118 222	SUPPORT ESSUIE COUVERCLE	LID WIPER SUPPORT
88	57 081	COUPEAU LISSE	STRAIGHT BLADE ASSEMBLY
89	57 082	COUPEAU CRANTE	COARSE SERRATED BLADE ASSEMBLY
90	57 084	COUPEAU DENTE	FINE SERRATED BLADE ASSEMBLY
91	105 905	ECROU COUPEAU AVEC BAGUE PLASTIQUE	BLADE LOCKING NUT WITH PLASTIC WASHER
92	105 907	RONDELLE PLASTIQUE INTEGREE	INTEGRATED PLASTIC WASHER
93	118 207	RONDELLE PLASTIQUE INDEPENDANTE	INDEPENDENT PLASTIC WASHER
94	118 204	BAGUE COUPEAU 14 mm	BLADE SPACER 10 mm
95	118 205	BAGUE COUPEAU 43 mm	BLADE SPACER 32 mm
96	117 952	LAME LISSE	STRAIGHT BLADE
97	118 243	LAME DENTEE	FINE SERRATED BLADE
98	118 287	LAME CRANTEE	COARSE SERRATED BLADE
99	117 932	SUPPORT COUPEAU	BLADE SUPPORT
100	118 268	DEMONTE COUPEAU	BLADE DISMANTLING DEVICE
101	119 200	CLEF DEMONTE COUPEAU	BLADE DISMANTLING WRENCH

<i>Index</i>	<i>Désignation</i>	<i>Description</i>
A	PLATINE DE PUISSANCE	POWER CONTROL BOARD
B	CABLE D'ALIMENTATION	POWER CORD
M	MOTEUR	MOTOR

Type	Machine	Voltage	A	B	M
- 282 - - - - -	53 036	220/60/3	112 319	503 265	303 122
- 348 - - - - -	53 062	480/50/3	112 323	504 492	303 182





ATTENTION :

Certaines pièces de la Génération G2 ne sont plus disponibles. Dans ce cas il est nécessaire d'utiliser des ensembles de pièces (kits) de la Génération G3. (Voir tableau ci-dessous).

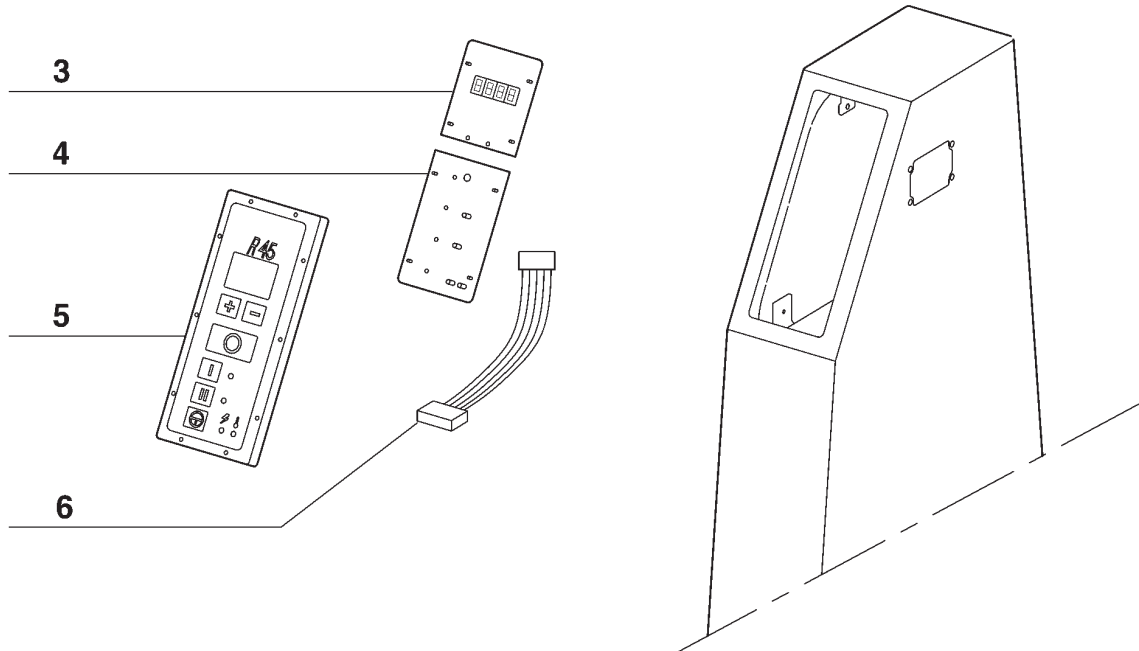
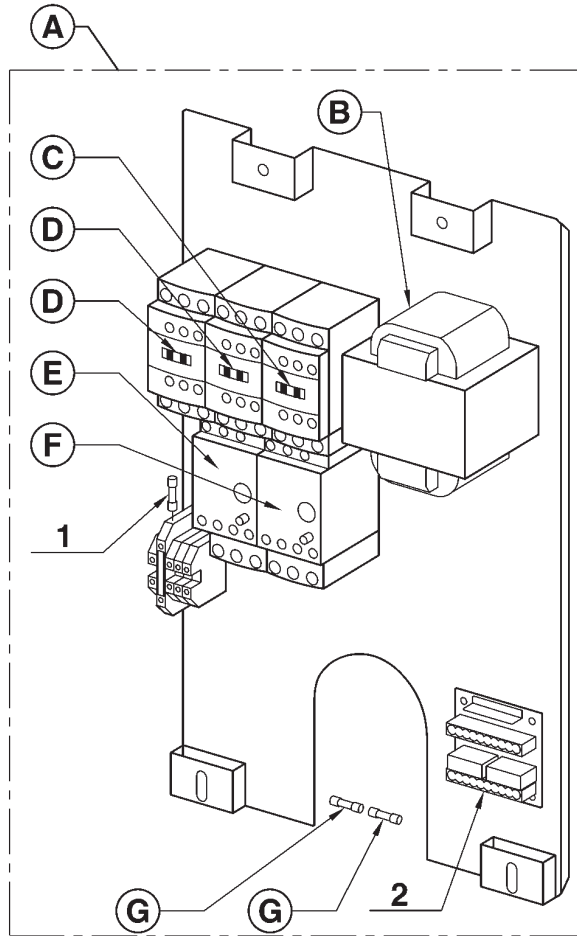
WARNING :

Some parts of Generation G2 are no more available. In such a case, it is necessary to use some parts assemblies (kits) from Generation G3. (See table below).

Déterminer la génération de votre machine selon les formes du crochet et du joint de couvercle.
Determine the generation of your machine according to the lid latch and lid seal shapes.

	 = G2	 = G3
a	15	16
b	17	18
c	19	20
d	17	21
e	Non utilisé G2 / Not used in G2.	22
f	23	
g	1	24

<i>Index</i>	<i>Pièce / Part</i>	<i>Désignation</i>	<i>Description</i>
1	59 128	ENSEMBLE CHARNIERE SECURITE BRAS G3	HINGE ARM ASSEMBLY G3
2	59 273	ENSEMBLE SECURITE BRAS G3	LID ARM SAFETY ASSEMBLY G3
3	501 258	INTER. SECURITE NORMALEMENT FERME G3	NORMALLY CLOSED SAFETY SWITCH G3
4	507 250	INTER. SECURITE NORMALEMENT OUVERT G3	NORMALLY OPENED SAFETY SWITCH G3
5	501 424	BAGUE ETANCHEITE 20x30x7	SEALING RING 20x30 x7
6	118 126	DOUILLE DE GUIDAGE	BUSHING
7	118 255	JOINT PLAT DE CHARNIERE	HINGE FLAT SEAL
8	59 130	ENSEMBLE SUPPORT COUVERCLE	LID SUPPORT ASSEMBLY
9	118 100	GUIDE COUVERCLE	LID GUIDE
10	118 101	SUPPORT COUVERCLE	LID SUPPORT
11	118 132	INTERRUPTEUR SECURITE BRAS	LID ARM SAFETY SWITCH
12	59 131	ENSEMBLE PINCES BRAS	ARM CLIPS ASSEMBLY
13	118 573	BOUCHON SOUPLE	SOFT LID CAP
14	59 326	ENS. BRAS/COUVERCLE COMPLET G3	COMPLETE LID/ARM ASSEMBLY G3
15	119 185	JOINT DE COUVERCLE G2	LID SEAL G2
16	119 265	JOINT DE COUVERCLE G3	LID SEAL G3
17	59 289	KIT MISE A NIVEAU CROCHET + COUVERCLE G2	LID LATCH + LID UPGRADE KIT G2
18	127 525	COUVERCLE G3	LID G3
19	59 308	KIT MISE A NIVEAU ENSEMBLE COUVERCLE G2	LID ASSEMBLY UPGRADE KIT G2
20	59 276	ENSEMBLE COUVERCLE G3	LID ASSEMBLY G3
21	119 267	CROCHET G3	LID LATCH G3
22	119 259	BUTEE DE CROCHET G3	LID LATCH RUBBER STOP G3
23	59 272	ENSEMBLE POIGNEE G3 (Convient pour G2)	HANDLE ASSEMBLY G3 (OK for G2)
24	105 912	CAME INTERRUPTEURS SECURITE G3	SAFETY SWITCHES CAM G3

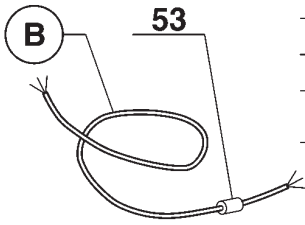
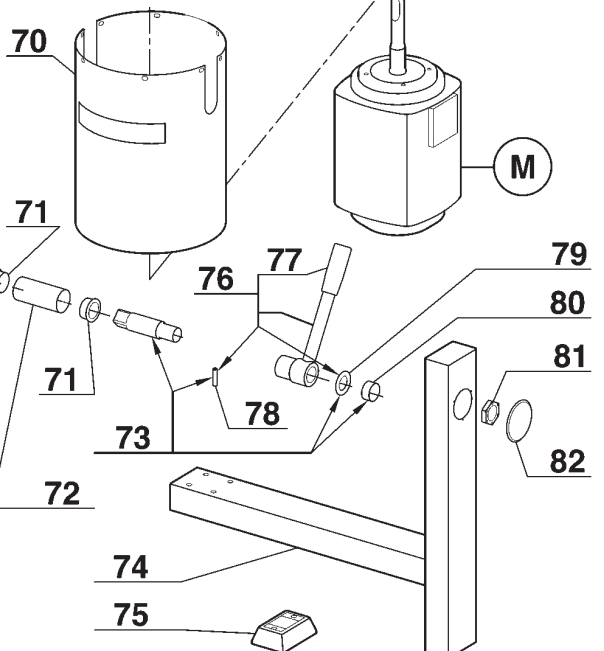
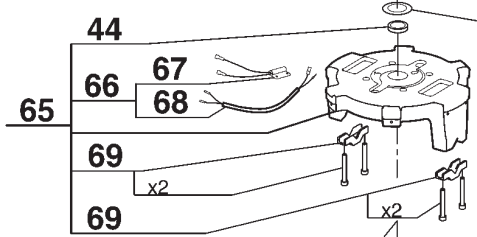
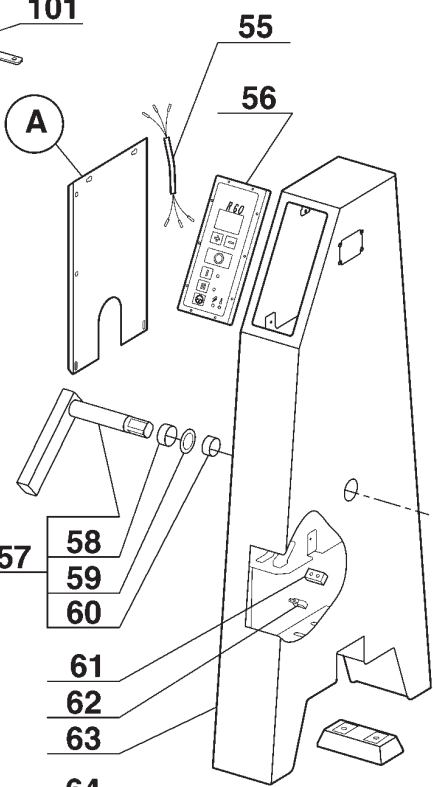
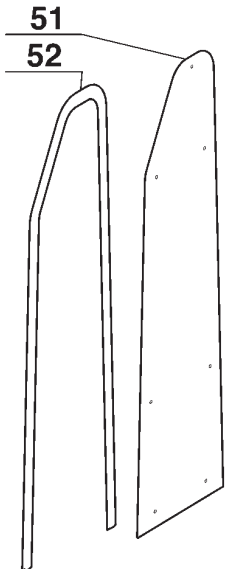
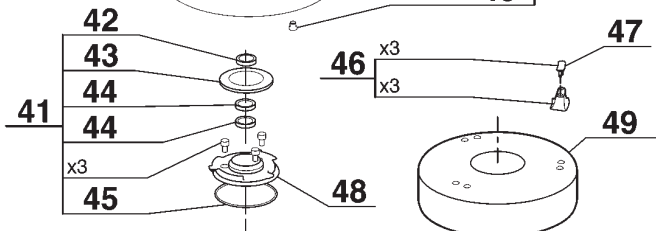
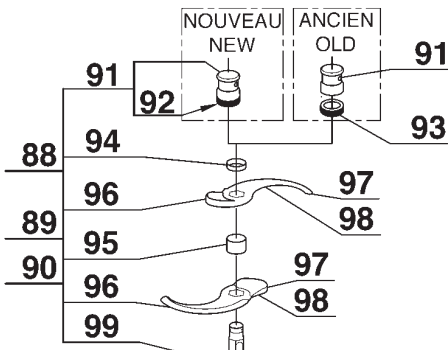
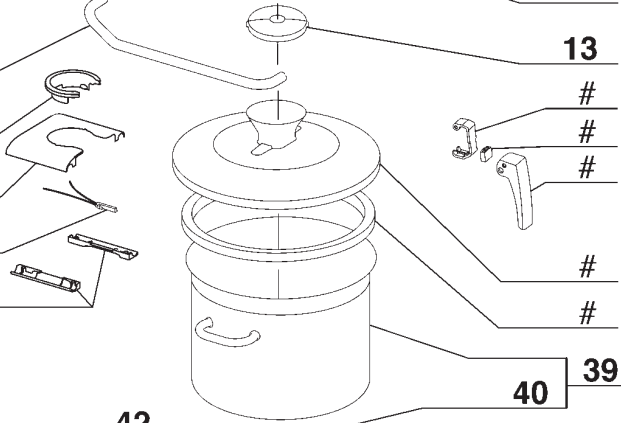
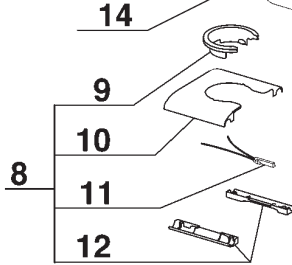
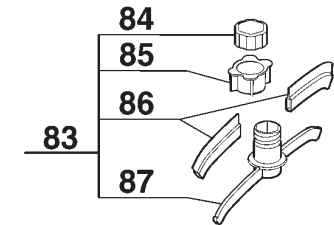
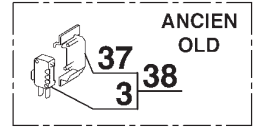
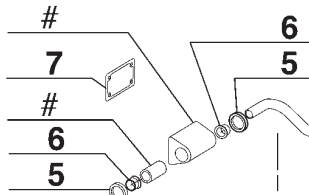
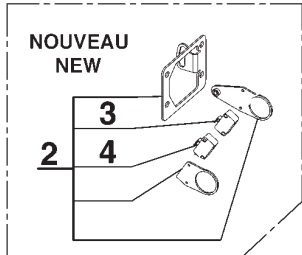
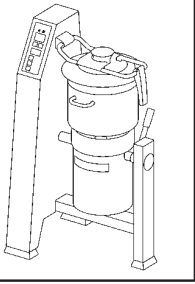


<i>Index</i>	<i>Pièce / Part</i>	<i>Désignation</i>	<i>Description</i>
1	500 537	FUSIBLE PRIMAIRE 9/24V	PRIMARY FUSE 9/24V
2	117 980	CARTE DE CONNEXION	CONNECTING BOARD
3	119 218	CARTE TIMER	TIMER BOARD
4	119 217	CARTE COMMANDE	CONTROL BOARD
5	59 145	ENSEMBLE CLAVIER DE COMMANDE	CONTROL PANEL ASSEMBLY
6	117 982	LIMANDE DE LIAISON	LINK CABLE

<i>Index</i>	<i>Désignation</i>	<i>Description</i>
A	PLATINE DE PUISSANCE	POWER CONTROL BOARD
B	TRANSFORMATEUR	TRANSFORMER
C	CONTACTEUR	CONTACTOR
D	CONTACTEUR	CONTACTOR
E	CONTACTEUR	CONTACTOR
F	CONTACTEUR	CONTACTOR
G	FUSIBLE SECONDAIRE	SECONDARY FUSE

Type	Machine	Voltage	A	B	C	D	E	F	G
- 282 - - - - -	53 036	220/60/3	112 319	507 200	503 688	503 969	507 204	507 205	504 353
- 348 - - - - -	53 062	480/60/3	112 323	507 235	503 362	503 364	507 236	507 203	

Voir dessin suivant / See next diagram.

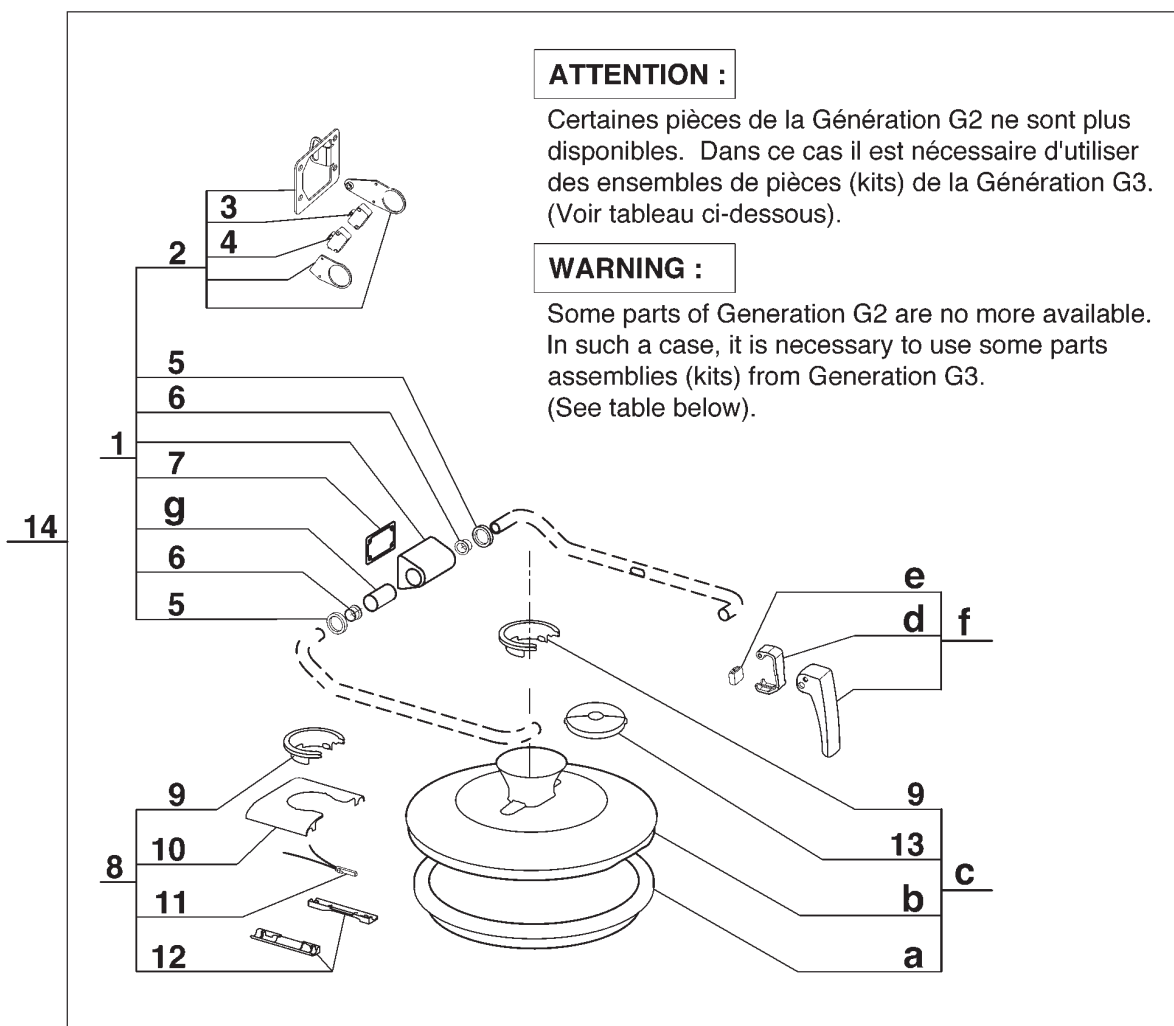


<i>Index</i>	<i>Pièce / Part</i>	<i>Désignation</i>	<i>Description</i>
2	59 273	ENSEMBLE SECURITE BRAS G3	LID ARM SAFETY ASSEMBLY G3
3	501 258	INTERRUPTEUR SECURITE NORMALEMENT FERME	NORMALLY CLOSED SAFETY SWITCH
4	507 250	INTERRUPTEUR SECURITE NORMALEMENT OUVERT	NORMALLY OPENED SAFETY SWITCH
5	501 424	BAGUE ETANCHEITE 20x30x7	SEALING RING 20x30x7
6	118 126	DOUILLE DE GUIDAGE	BUSHING
7	118 255	JOINT PLAT DE CHARNIERE	HINGE FLAT SEAL
8	59 130	ENSEMBLE SUPPORT COUVERCLE	LID SUPPORT ASSEMBLY
9	118 100	GUIDE COUVERCLE	LID GUIDE
10	118 101	SUPPORT COUVERCLE	LID SUPPORT
11	118 132	INTERRUPTEUR SECURITE COUVERCLE	LID SAFETY SWITCH
12	59 131	ENSEMBLE PINCES BRAS	ARM CLIPS ASSEMBLY
13	118 573	BOUCHON SOUPLE	SOFT LID CAP
14	199 211	TUBE GAUCHE	LEFT LID TUBE
15	119 210	TUBE DROIT	RIGHT LID TUBE
37	118 254	SUPPORT INTERRUPTEUR (ANCIEN)	SAFETY SWITCH SUPPORT (OLD)
38	59 127	ENSEMBLE INTERRUPTEUR SECURITE (ANCIEN)	SAFETY SWITCH ASSEMBLY (OLD)
39	59 148	ENSEMBLE CUVE	BOWL ASSEMBLY
40	118 171	BOUCHON SECURITE	SAFETY PLUG
41	59 222	ENSEMBLE JOINTS D'ARBRE	SHAFT SEALS ASSEMBLY
42	59 168	JOINT FACIAL	FACIAL SHAFT SEAL
43	118 153	JOINT FOND DE CUVE	BOWL SEAL
44	507 054	BAGUE A LEVRES 40x52x7	SHAFT SEAL 30x40x7
45	507 050	JOINT TORIQUE 120x3,5 mm	O-RING 120x3.5 mm
46	59 165	ENSEMBLE APPUIS DE CUVE (Qté = 3)	BOWL SUPPORTS ASSEMBLY (Qty = 3)
47	118 595	APPUI CUVE PLASTIQUE	PLASTIC BOWL SUPPORT
48	117 928	DOUILLE PORTE JOINTS	SEALS SOCKET
49	118 251	JUPE HAUTE	UPPER MOTOR COVER
50	118 174	DEFLECTEUR MOTEUR	MOTOR DEFLECTOR
51	117 940	FACE ARRIERE	CASING ACCESS DOOR
52	118 257	JOINT FACE ARRIERE	CASING ACCESS DOOR SEAL
53	59 167	PASSE FIL	POWER CORD PROTECTOR
55	118 127	FAISCEAU INTERRUPTEUR SECURITE BRAS	LID ARM SAFETY SWITCH HARNESS
56	59 151	ENSEMBLE CLAVIER	CONTROL PANEL ASSEMBLY
57	59 162	ENSEMBLE AXE ARRIERE	BACK TILTING PIVOT ASSEMBLY
58	118 146	ENTRETOISE AXE ARRIERE	BACK TILTING PIVOT SPACER
59	118 147	RONDELLE APPUI ARRIERE	BACK THRUST WASHER
60	118 148	DOUILLE PALIER ARRIERE	BACK BEARING BUSH
61	117 959	BUTEE BASCULEMENT	TILTING STOP
62	507 250	INTERRUPTEUR SECURITE BASCULEMENT	TILTING SAFETY SWITCH
63	117 939	CAISSON	CASING
64	118 186	PIED ARRIERE	CASING FOOT
65	59 198	ENSEMBLE SUPPORT MOTEUR	MOTOR SUPPORT ASSEMBLY
66	118 157	ENSEMBLE INTERRUPTEUR SECURITE CUVE	BOWL SAFETY SWITCH ASSEMBLY
67	119 199	INTERRUPTEUR SECURITE CUVE	BOWL SAFETY SWITCH
68	119 194	FAISCEAU INTERRUPTEUR SECURITE CUVE	BOWL SAFETY SWITCH HARNESS
69	59 223	ENSEMBLE CAVALIER AXE BASCULEMENT	TILTING PIVOT STAPLE ASSEMBLY
70	118 298	JUPE BASSE	LOWER MOTOR COVER
71	118 150	DOUILLE MANCHON	SLEEVE BUSH
72	118 168	MANCHON 132 mm	SLEEVE 107 mm
73	59 163	ENSEMBLE AXE AVANT	FRONT TILTING PIVOT ASSEMBLY
74	117 191	PIEtement	STAND
75	117 958	PIED AVANT	FRONT FOOT
76	59 161	ENSEMBLE LEVIER DE SERRAGE	LOCKING LEVER ASSEMBLY
77	118 142	POIGNEE DE BASCULEMENT	TILTING HANDLE
78	208 582	GOUPILLE AXE DE BASCULEMENT	TILTING SHAFT PIN
79	118 143	RONDELLE D'APPUI AVANT	FRONT THRUST WASHER

<i>Index</i>	<i>Pièce / Part</i>	<i>Désignation</i>	<i>Description</i>
80	118 144	DOUILLE PALIER AVANT	FRONT BEARING BUSH
81	118 166	ECROU REGLAGE BASCULEMENT	TILTING ADJUSTING NUT
82	117 956	BOUCHON	COVER
83	59 208	ENSEMBLE ESSUIE COUVERCLE	LID WIPER ASSEMBLY
84	118 227	ECROU ESSUIE COUVERCLE	LID WIPER NUT
85	118 228	GUIDE ESSUIE COUVERCLE	LID WIPER GUIDE
86	59 239	RACLEURS SOUPLES COUVERCLE (Qté = 2)	LID SOFT WIPER (Qty = 2).
87	118 223	SUPPORT ESSUIE COUVERCLE	LID WIPER SUPPORT
88	57 091	COUTEAU LISSE	STRAIGHT BLADE ASSEMBLY
89	57 092	COUTEAU CRANTE	COARSE SERRATED BLADE ASSEMBLY
90	57 095	COUTEAU DENTE	FINE SERRATED BLADE ASSEMBLY
91	105 905	ECROU COUTEAU AVEC BAGUE PLASTIQUE	BLADE LOCKING NUT WITH PLASTIC WASHER
92	105 907	RONDELLE PLASTIQUE INTEGREE	INTEGRATED PLASTIC WASHER
93	118 207	RONDELLE PLASTIQUE INDEPENDANTE	INDEPENDENT PLASTIC WASHER
94	118 204	BAGUE COUTEAU 14 mm	BLADE SPACER 10 mm
95	118 205	BAGUE COUTEAU 43 mm	BLADE SPACER 32 mm
96	117 954	LAME LISSE	STRAIGHT BLADE
97	118 245	LAME DENTEE	FINE SERRATED BLADE
98	118 290	LAME CRANTEE	COARSE SERRATED BLADE
99	117 932	SUPPORT COUTEAU	BLADE SUPPORT
100	118 268	DEMONTE COUTEAU	BLADE DISMANTLING DEVICE
101	119 200	CLEF DEMONTE COUTEAU	BLADE DISMANTLING WRENCH

<i>Index</i>	<i>Désignation</i>	<i>Description</i>
A	PLATINE DE PUISSANCE	POWER CONTROL BOARD
B	CABLE D'ALIMENTATION	POWER CORD
M	MOTEUR	MOTOR

Type	Machine	Voltage	A	B	M
- 285 - - - - -	54 136	220/60/3	112 320	503 265	303 123
- 349 - - - - -	54 064	480/60/3	112 324	504 492	303 183





ATTENTION :

Certaines pièces de la Génération G2 ne sont plus disponibles. Dans ce cas il est nécessaire d'utiliser des ensembles de pièces (kits) de la Génération G3. (Voir tableau ci-dessous).

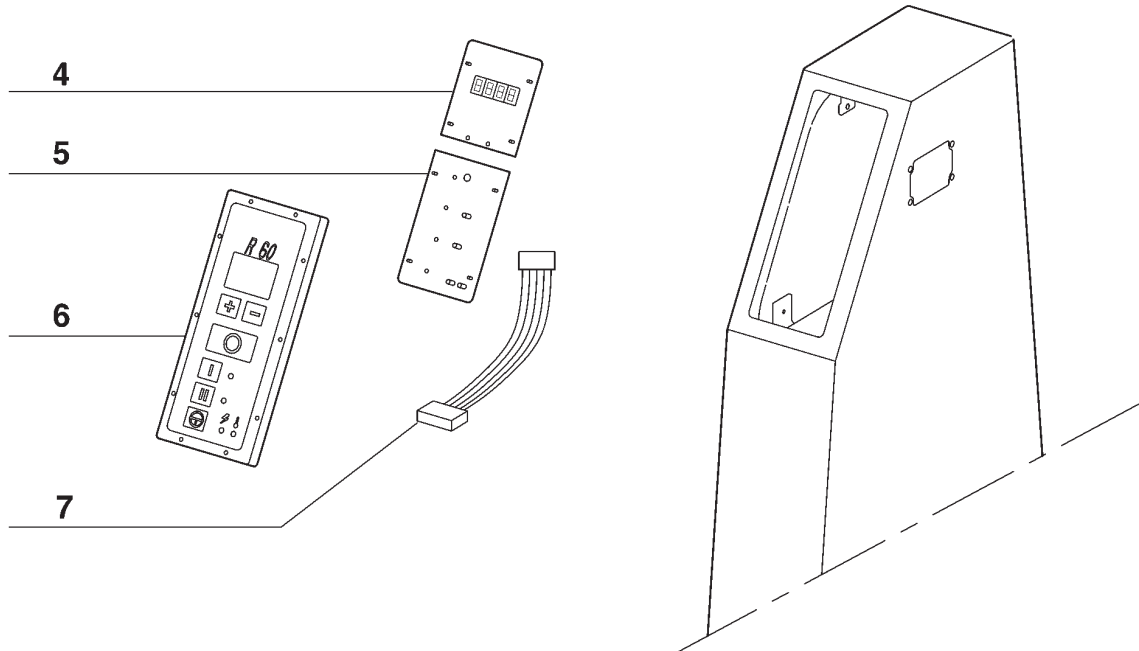
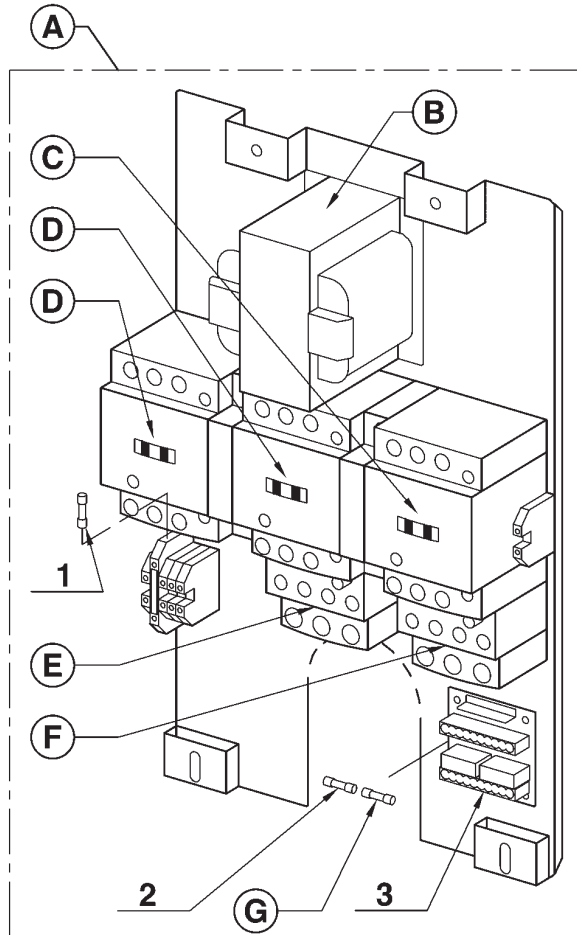
WARNING :

Some parts of Generation G2 are no more available. In such a case, it is necessary to use some parts assemblies (kits) from Generation G3. (See table below).

Déterminer la génération de votre machine selon les formes du crochet et du joint de couvercle.
Determine the generation of your machine according to the lid latch and lid seal shapes.

	 = G2	 = G3
a	15	16
b	17	18
c	19	20
d	17	21
e	Non utilisé G2 / Not used in G2.	22
f	23	
g	1	24

<i>Index</i>	<i>Pièce / Part</i>	<i>Désignation</i>	<i>Description</i>
1	59 128	ENSEMBLE CHARNIERE SECURITE BRAS G3	HINGE ARM ASSEMBLY G3
2	59 273	ENSEMBLE SECURITE BRAS G3	LID ARM SAFETY ASSEMBLY G3
3	501 258	INTER. SECURITE NORMALEMENT FERME G3	NORMALLY CLOSED SAFETY SWITCH G3
4	507 250	INTER. SECURITE NORMALEMENT OUVERT G3	NORMALLY OPENED SAFETY SWITCH G3
5	501 424	BAGUE ETANCHEITE 20x30x7	SEALING RING 20x30 x7
6	118 126	DOUILLE DE GUIDAGE	BUSHING
7	118 255	JOINT PLAT DE CHARNIERE	HINGE FLAT SEAL
8	59 130	ENSEMBLE SUPPORT COUVERCLE	LID SUPPORT ASSEMBLY
9	118 100	GUIDE COUVERCLE	LID GUIDE
10	118 101	SUPPORT COUVERCLE	LID SUPPORT
11	118 132	INTERRUPTEUR SECURITE BRAS	LID ARM SAFETY SWITCH
12	59 131	ENSEMBLE PINCES BRAS	ARM CLIPS ASSEMBLY
13	118 573	BOUCHON SOUPLE	SOFT LID CAP
14	59 327	ENS. BRAS/COUVERCLE COMPLET G3	COMPLETE LID/ARM ASSEMBLY G3
15	119 186	JOINT DE COUVERCLE G2	LID SEAL G2
16	119 266	JOINT DE COUVERCLE G3	LID SEAL G3
17	59 290	KIT MISE A NIVEAU CROCHET + COUVERCLE G2	LID LATCH + LID UPGRADE KIT G2
18	127 526	COUVERCLE G3	LID G3
19	59 309	KIT MISE A NIVEAU ENSEMBLE COUVERCLE G2	LID ASSEMBLY UPGRADE KIT G2
20	59 277	ENSEMBLE COUVERCLE G3	LID ASSEMBLY G3
21	119 267	CROCHET G3	LID LATCH G3
22	119 259	BUTEE DE CROCHET G3	LID LATCH RUBBER STOP G3
23	59 272	ENSEMBLE POIGNEE G3 (Convient pour G2)	HANDLE ASSEMBLY G3 (OK for G2)
24	105 912	CAME INTERRUPTEURS SECURITE G3	SAFETY SWITCHES CAM G3



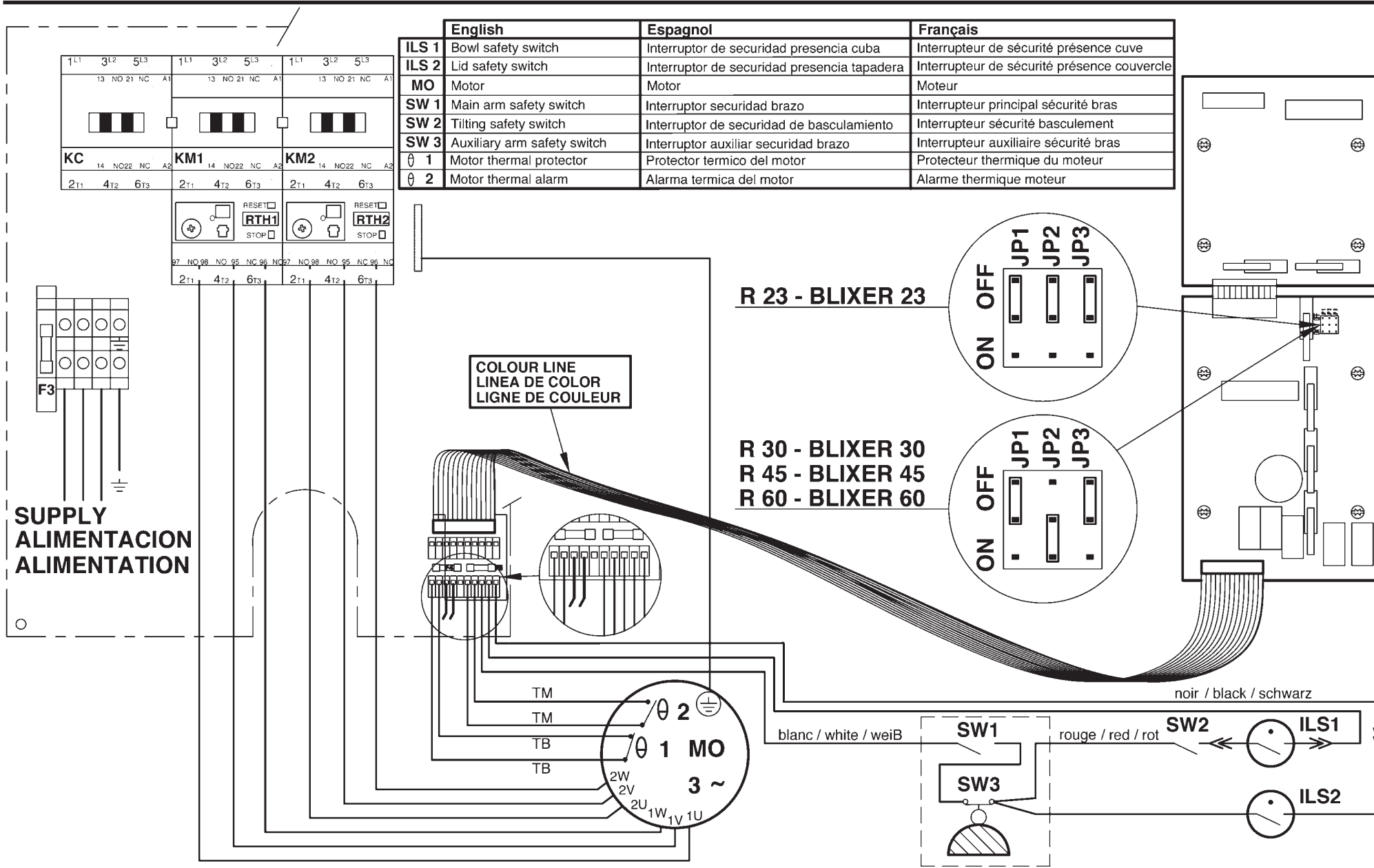
<i>Index</i>	<i>Pièce / Part</i>	<i>Désignation</i>	<i>Description</i>
1	500 537	FUSIBLE PRIMAIRE 9/24V	PRIMARY FUSE 9/24V
2	504 253	FUSIBLE SECONDAIRE 9V	SECONDARY FUSE 9V
3	117 980	CARTE DE CONNEXION	CONNECTING BOARD
4	119 218	CARTE TIMER	TIMER BOARD
5	119 217	CARTE COMMANDE	CONTROL BOARD
6	59 151	ENSEMBLE CLAVIER DE COMMANDE	CONTROL PANEL ASSEMBLY
7	117 982	LIMANDE DE LIAISON	LINK CABLE

<i>Index</i>	<i>Désignation</i>	<i>Description</i>
A	PLATINE DE PUISSANCE	POWER CONTROL BOARD
B	TRANSFORMATEUR	TRANSFORMER
C	CONTACTEUR	CONTACTOR
D	CONTACTEUR	CONTACTOR
E	CONTACTEUR	CONTACTOR
F	CONTACTEUR	CONTACTOR
G	FUSIBLE SECONDAIRE	SECONDARY FUSE

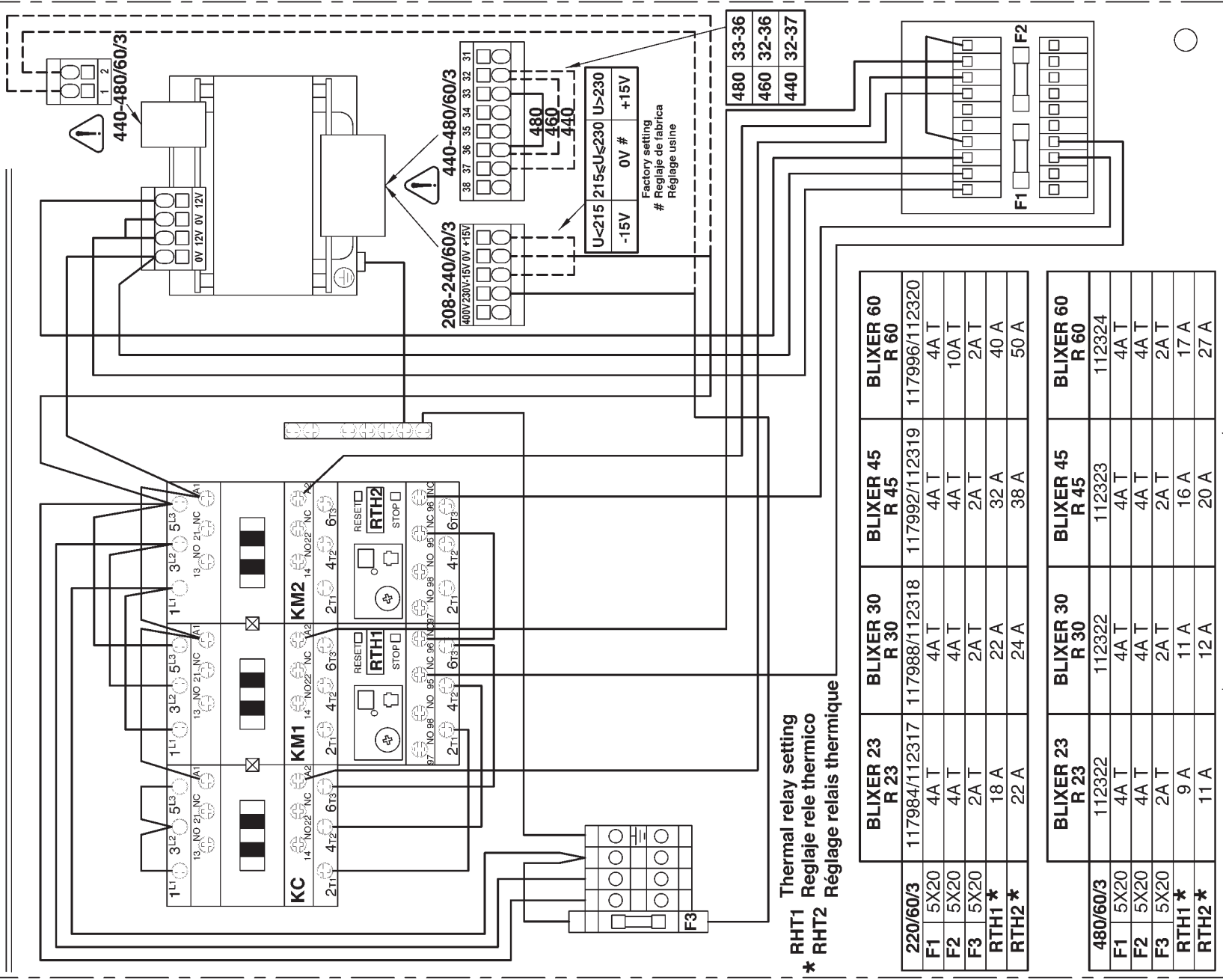
Type	Machine	Voltage	A	B	C	D	E	F	G
- 285 - - - - -	54 136	220/60/3	112 320	507 2010	507 176	507 175	507 177	507 178	507 206
- 349 - - - - -	54 064	480/60/3	112 324	507 235	503 969	503 362	507 202	507 204	504 253

R 23 - BLIXER 23 - R 30 - BLIXER 30 - R 45 - BLIXER 45 - R 60 - BLIXER 60 208-240V/60Hz-3 ph 440-480V/60Hz-3ph
 ELECTRIC DIAGRAM ESQUEMA CONEXIONES SCHEMA ELECTRIQUE

	English	Espagnol	Français
ILS 1	Bowl safety switch	Interruptor de seguridad presencia cuba	Interrupteur de sécurité présence cuve
ILS 2	Lid safety switch	Interruptor de seguridad presencia tapadera	Interrupteur de sécurité présence couvercle
MO	Motor	Motor	Moteur
SW 1	Main arm safety switch	Interruptor seguridad brazo	Interrupteur principal sécurité bras
SW 2	Tilting safety switch	Interruptor de seguridad de basculamiento	Interrupteur sécurité basculement
SW 3	Auxiliary arm safety switch	Interruptor auxiliar seguridad brazo	Interrupteur auxiliaire sécurité bras
θ 1	Motor thermal protector	Protector termico del motor	Protecteur thermique du moteur
θ 2	Motor thermal alarm	Alarma termica del motor	Alarme thermique moteur



- | | |
|--|----------------------|
| BLIXER 23 - Serial # From 27601111 13 W - 05 | 208-240V/60Hz - 3 ph |
| R 23 - Serial # From 27701111 13 W - 05 | |
| BLIXER 30 - Serial # From 27801111 13 W - 05 | |
| R 30 - Serial # From 27901111 13 W - 05 | |
| BLIXER 45 - Serial # From 28101111 13 W - 05 | 440-480V/60Hz - 3 ph |
| R 45 - Serial # From 28201111 13 W - 05 | |
| BLIXER 60 - Serial # From 28401111 13 W - 05 | |
| R 60 - Serial # From 28501111 13 W - 05 | |
| R 23 - Serial # From 27701111 17 Y - 04 | |
| R 30 - Serial # From 27901111 17 Y - 04 | |
| R 45 - Serial # From 28201111 17 Y - 04 | |
| R 60 - Serial # From 28501111 17 Y - 04 | |





robot coupe[®]

Robot-coupe USA. Inc.

P.O. Box 16625, Jackson, MS 39236-6625

264 South Perkins St., Ridgeland, MS 39157

e-mail: info@robotcoupeusa.com - website:

www.robotcoupeusa.com

Phone : 1-800-824-1646