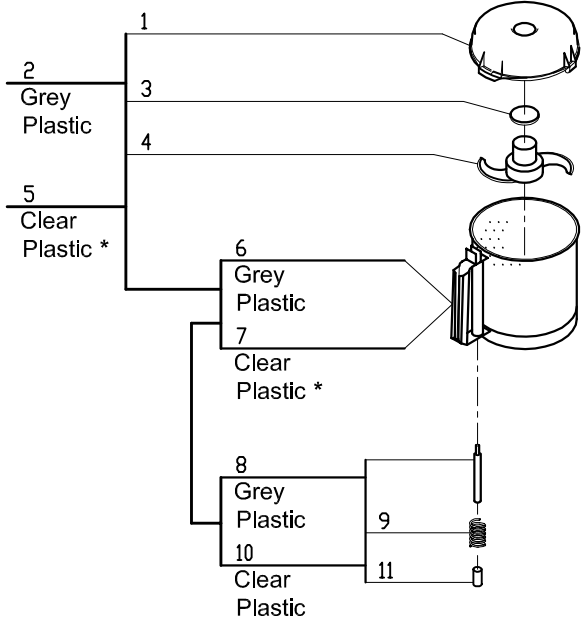
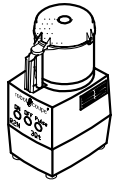


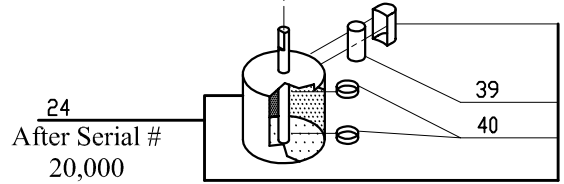
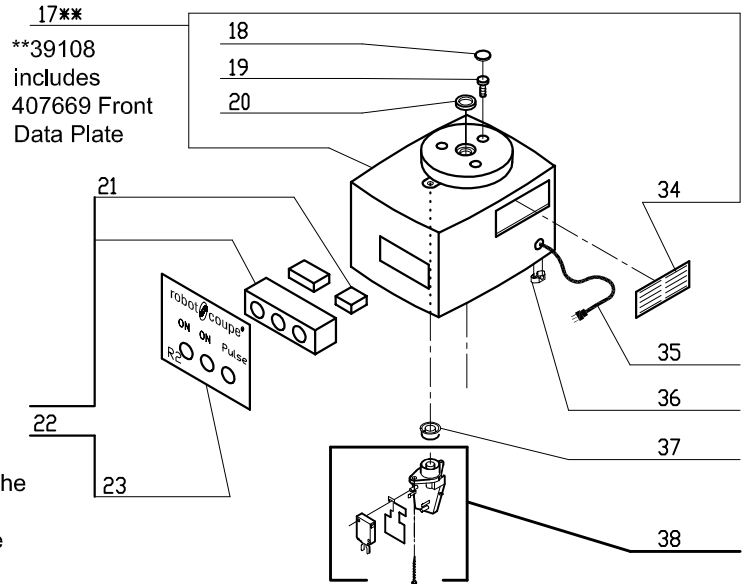
Phone: 1-800-824-1646
 Fax: 601-898-9134
 email: robocoup@misnet.com

R2B (3 Quart)

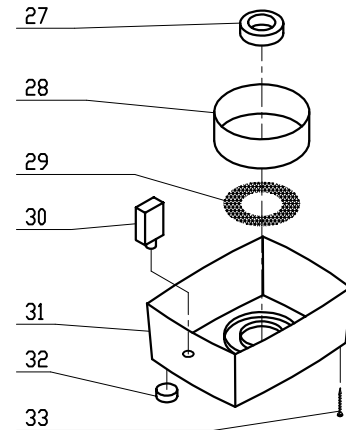
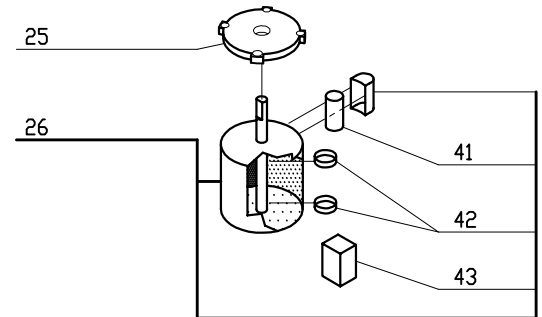
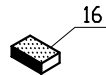
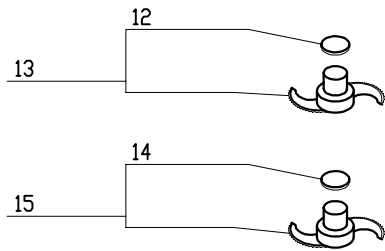
Serial Numbers-246xxxxx03
 1-Speed, 120 Volt, 1 Phase, 60Hz., 1/2 HP.
 1725 RPM, 7 Amps



* If ordering the R2B (bowl only) with the clear bowl, order model number R2BCLR



ACCESSORIES



Index PDF	Référence	Designation commerciale	Tarif
1	106458	CUTTER LID	50.00 USD
2	27239	* (B) R2N Bowl Kit 3qt. Gray	263.00 USD
3	117058	BLADE CAP	1.80 USD
4	27055	* S Blade, Smooth	88.00 USD
5	27240	* (B) R2N Clear Bowl Kit, 3qt.	263.00 USD
6	112204	(B) R2N Gray Bowl Only, 3qt	98.00 USD
7	112203	(B) R2N Clear Bowl Only, 3qt	98.00 USD
8	39103	(B) Pin Assy, R2N 3qt Gray	5.05 USD
9	100964	SPRING	4.40 USD
10	39077	(B) Pin Assy R2N 3qt. Clear Bowl	5.05 USD
11	Number NA	Description NA	!!Prix_manquant! !
13	27061	* S Blade, Fine Serration	149.00 USD
15	27138	* S. Blade Coarse Serrations	167.00 USD
16	502579	HONING STONE	45.00 USD
17	39108	(B) R2N Motor Support, 3qt	192.85 USD
18	101103	BOLT COVER	1.70 USD
19	R232A	Screw (Motor - MS)	1.70 USD
20	501010	SHAFT SEAL	!!Prix_manquant! ! USD
21	R274	Pulse Switch	19.55 USD
22	39106	(B) R2N Switch Assy, 3qt	161.25 USD
23	407669	(B) Front Data Plate R2N, 3qt	19.50 USD
24	R239	MOTOR AO SMITH	465.60 USD
25	R239D.3	Adapter Plate, EM	5.90 USD
26	R239D	Motor, EM	631.60 USD
27	101095	Bottom Cushion Bushing	18.75 USD

28	101096	Baffle	71.65 USD
29	R277A	SCREEN KIT	7.20 USD
30	R286	CIRCUIT-BREAKER	23.30 USD
31	104124	(B) R2 Base, Gray	129.70 USD
32	102031	Foot	4.30 USD
33	200005	Screw (Base-MS 3.9x19)	1.45 USD
34	101098	VENT COVER + RIVETS	24.70 USD
35	R240	POWER CORD	25.00 USD
36	101106	POWER CORD CLIP	3.75 USD
37	500527	SEAL RING	2.35 USD
38	101277	MICROSWITCH ASSEMBLY	24.70 USD
39	R222	CAPACITOR F/C MOTOR (R2N)	52.00 USD
40	R237	BEARING, MOTOR BOTTOM	49.75 USD
41	R239D.2	Capacitor	35.05 USD
43	R239D.1	Relay	43.70 USD