

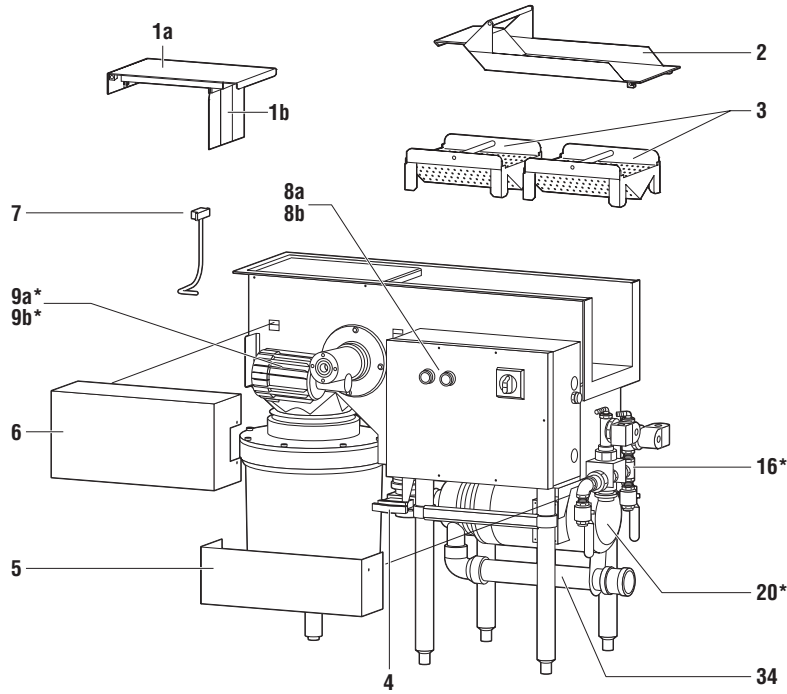
Salvajor TroughVeyor®

For
Serial
Numbers
starting at
3256

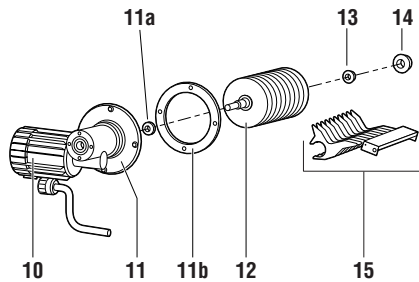
PARTS BREAKDOWN for Model TVL & Model TVR

(Left hand shown, Right hand similar)

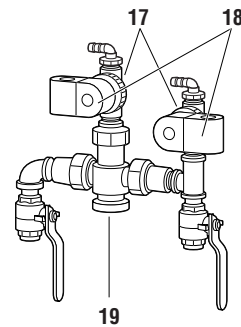
Model TVL & TVR System Components



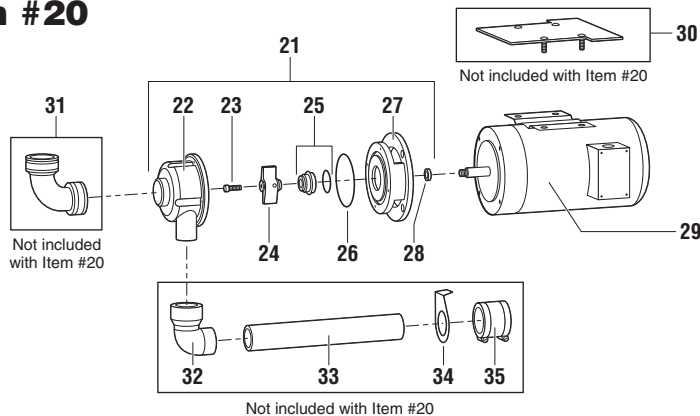
Item #9



Item #16



Item #20



ITEM PART NO. DESCRIPTION

1a	980114	Door Assembly w/Proximity Magnet (includes 1b)
1b	SM47X5	Rubber Door Gasket
2	980086	Salvage Basin
3	980085	Screen Assembly (2 pieces)
4	998058	Drain Valve
5	982214	Pump Cover
6	980147	Service Cover
7	980558	Proximity Switch Retrofit Kit
8a	320UL	Control Panel 208-230V 3PH
8b	396UL	Control Panel 460V 3PH
9a	980121R	Gearmotor Assembly 208-230/460V 3PH (includes items 10-15, right hand)
9b	980121L	Gearmotor Assembly 208-230/460V 3PH (includes items 10-15, left hand)
10	981002	Gearmotor 208-230/460V 3PH
11	980060	Separator Cap Assembly (includes 11a and 11b)
11a	995007	Seal
11b	SM52G	Gasket
12	980059	Separator Assembly
13	995005	Bearing
14	SM4RBC	Bearing Carrier
15	980090	Separator Cleaner Assembly
16	980139	Water Harness Assembly (includes 17-19)
17	998026	Solenoid Body (repair kit available)
18	GP234024	Solenoid Coil 24V
19	998110	Water Harness Blender Assy
20	980077	Pump and Motor Assembly 208-230/460V 3PH (includes items 22-29)
21	980074	Pump Assembly (includes 22-28)
22	988010	Pump Housing
23	997089	Cap Screw
24	996027	Impeller
25	ECK511	Seal Kit
26	996028	O-Ring
27	988009	Pump Base
28	996030	V-Ring
29	991061	Pump Motor 208-230/460V 3PH
30	982199	Tank Motor Base Bracket (sold separately)
31	15X90QEL	Elbow 1-1/2" x 90 Rubber (sold separately)
32	996019	Elbow Pump Discharge (sold separately)
33	988017	Nipple 12" PVC (sold separately)
34	TV84	Discharge Pipe Support Bracket (sold separately)
35	15X15BR	Coupling 1-1/2" x 1-1/2" (sold separately)



The Salvajor Company

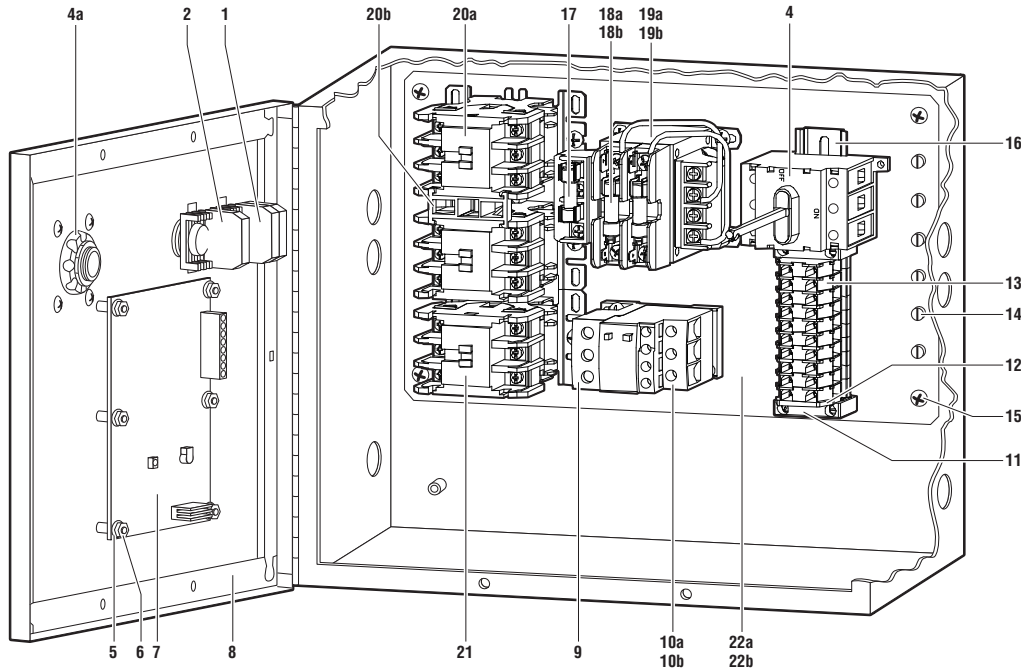
4530 East 75th Terrace
Kansas City, MO 64132-2081 USA

1-888-SALVAJOR FAX 1-800-832-9373

Salvajor TroughVeyor®

PRE-WIRED CONTROL PANEL PARTS BREAKDOWN for Model TVL & Model TVR

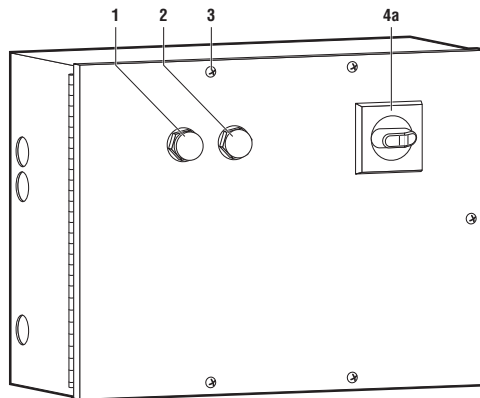
Model TVL & TVR Control Components



Item Numbers

VOLTAGE	PHASE	ITEM NO.
208 or 230	3	320UL
460	3	396UL

Control Box Assembly



ITEM PART NO. DESCRIPTION

1	ABD100B	Start Button
2	ABD200A	Stop Button
3	997032	Screw 10-32 x 5/8"
4	994177	Line Disconnect Assembly (includes 4a)
4a	984016	Line Disconnect Handle (included with 994177)
5	997161	Flat Washer 6-32
6	997160	Hex Nut 6-32
7	994285	Solid State Control Panel
8	9155GA	Gasket Assembly (4 Pc.)
9	994123	Overload Mounting Base
10a	994291	Overload .66 Amps (for 208-230V 3PH)
10b	994108	Overload .33 Amps (for 460V 3PH)
11	994294	End Block for Terminal Strip
12	994293	End Barrier for Terminal Strip
13	994292	Terminal Block for Terminal Strip
14	SCR1032	Ground Screw 10-32
15	997093	Screw 10-32 x 3/8"
16	994005	Din Rail Mounting Track
17	994101	Fuse 2 Amp
18a	994095	Fuse 1 Amp (for 208-230V 3PH, 2 required)
18b	994112	Fuse 1/2 Amp (for 460V 3PH, 2 required)
19a	994115a	Transformer with 208-230V 3PH (with fuses)
19b	994115b	Transformer with 460V 3PH (with fuses)
20	994380	Contactor 24V Assembly (includes 20a & 20b)
20a	994174	Contactor 24V
20b	994302	Interlock Mechanical
21	994174	Contactor 24V
22a	007ULIP	Inner Panel SS System 208-230V (includes all electrical components)
22b	009ULIP	Inner Panel SS System 460V (includes all electrical components)



The Salvajor Company 4530 East 75th Terrace Kansas City, Missouri 64132-2081, USA

1-888-SALVAJOR

FAX: 1-800-832-9373

service@salvajor.com

Printed in USA
Form No. PB/TVL-TVTR (09-2011)