

C0330, C0530, C0630, C0830, C1030 Service Parts

This part list contains the service parts for the air cooled, water cooled and remote air cooled C0330, C0530, C0630, C0830, C1030 ice machines.

To avoid costly and time consuming errors, double check the model and voltage before ordering a part.

Note: These abbreviations are used in this list:

- AC = Air Cooled
- WC = Water Cooled
- RC = Remote Cooled
- HGV = Hot Gas Valve
- TXV = Thermostatic Expansion Valve
- Volt = Voltage
- Sol Vlv = Solenoid Valve
- Hdwe = Hardware

Table of Contents

Cabinet - C0330, C0530, C0630	Page 2
Cabinet - C0830, C1030	Page 3
Interior Parts	Page 4
Evaporator Compartment	Page 5
Air Cooled Refrigeration System	Page 6
Air Cooled Mechanical & Electrical - C0330	Page 7
Air Cooled Mechanical & Electrical - C0530, C0630, C0830, C1030	Page 8
Water Cooled Refrigeration System	Page 9
Remote Refrigeration System	Page 10
Electrical & Control Box	Page 11
Compressors	Page 12
Compressor Mounting Hardware	Page 12
Crankcase Heaters	Page 12
Remote Condenser, ERC111, ERC211, and ERC311	Page 13

Scotsman

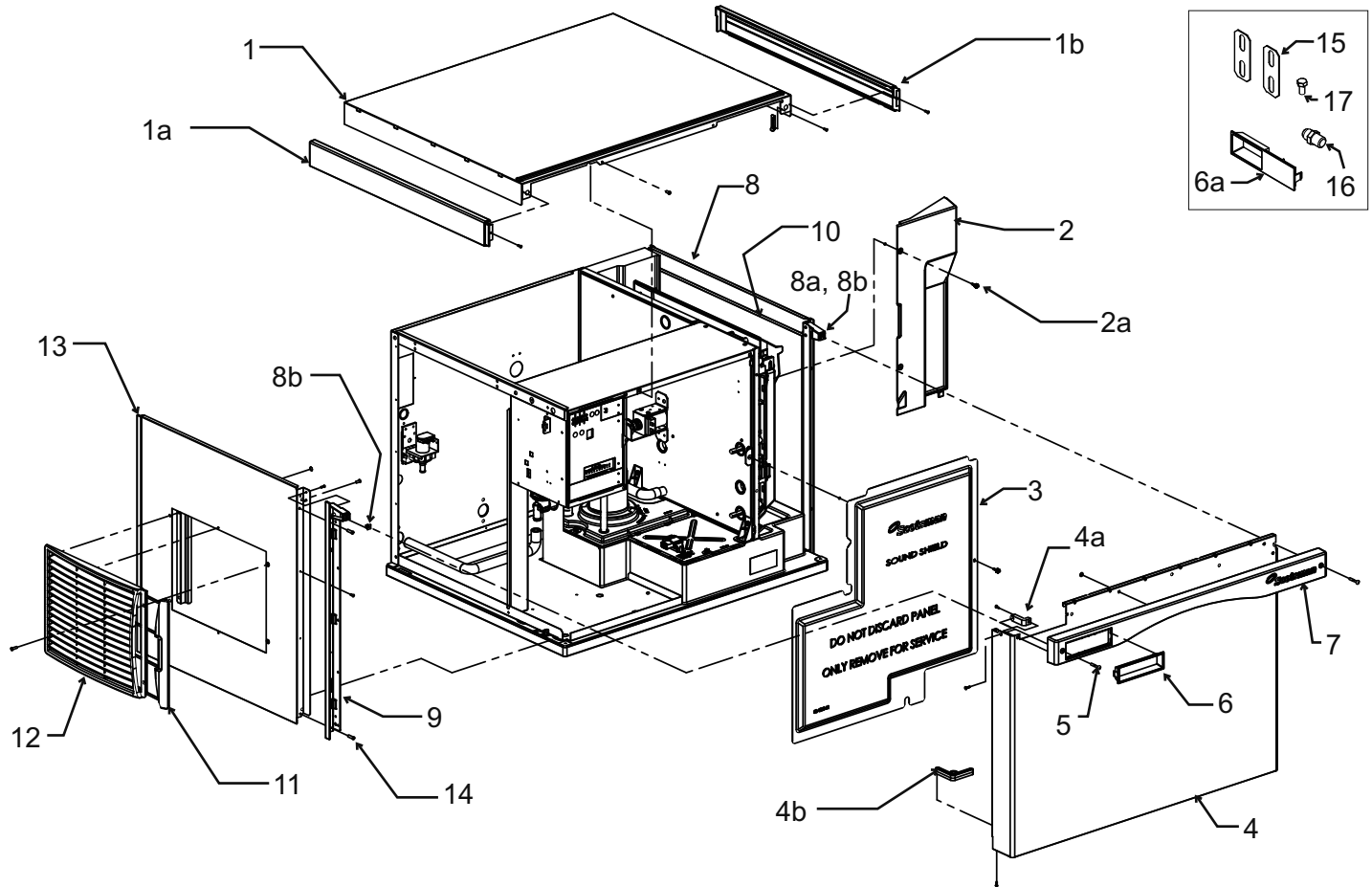
800-533-6006

www.scotsman-ice.com

17-3140-02

C0330, C0530, C0630, C0830, C1030 Service Parts

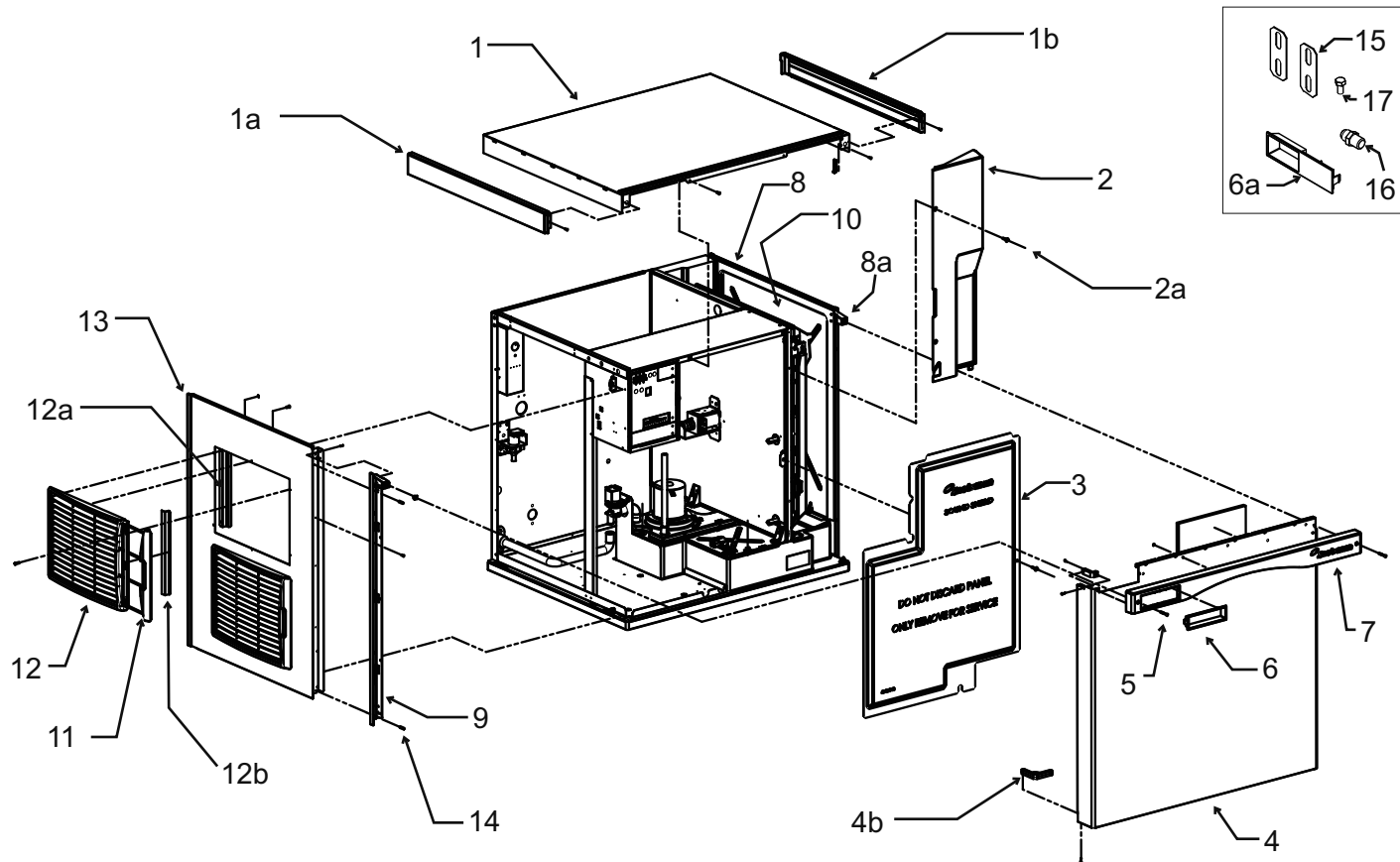
Cabinet - C0330, C0530, C0630



Item Number	Part Number	Description	Item Number	Part Number	Description
1	A38941-022	Top panel, w/trim strips	8b	03-3804-01	Screw receptacle
1a	02-4221-01	Left trim strip	9	02-4067-01	Side panel support for water cooled and remote models
1b	02-4221-02	Right trim strip		02-4067-02	Side panel support for air cooled models
2	02-4240-01	Evaporator cover	10	02-4336-01	Right side panel liner
2a	03-3879-01	Screw	11	02-4212-01	Air filter
3	02-4218-01	Sound shield	12	02-4224-01	Louver panel
4	A38552-022	Front panel assembly, includes trim strip, gussets and labels.	12a	A39222-001	Filter guide
4a	02-4216-01	Top gusset	12b	A39238-001	Louver bracket
4b	02-4217-01	Bottom gusset	13	A38551-021	Left side panel, AC
5	03-1735-03	Screw, front panel		A38551-022	Left side panel WC, RC
6	02-4284-01	Bezel, full window	14	03-1404-12	Screw
6a	02-4284-02	Bezel, partial window	15	A30911-015	Machine straps
7	02-4214-02	Trim strip	16	16-0355-00	Inlet water fitting, flare
8	A38553-021	Right side panel assy	17	03-1405-15	Screw
8a	02-4215-01	Receptacle			

C0330, C0530, C0630, C0830, C1030 Service Parts

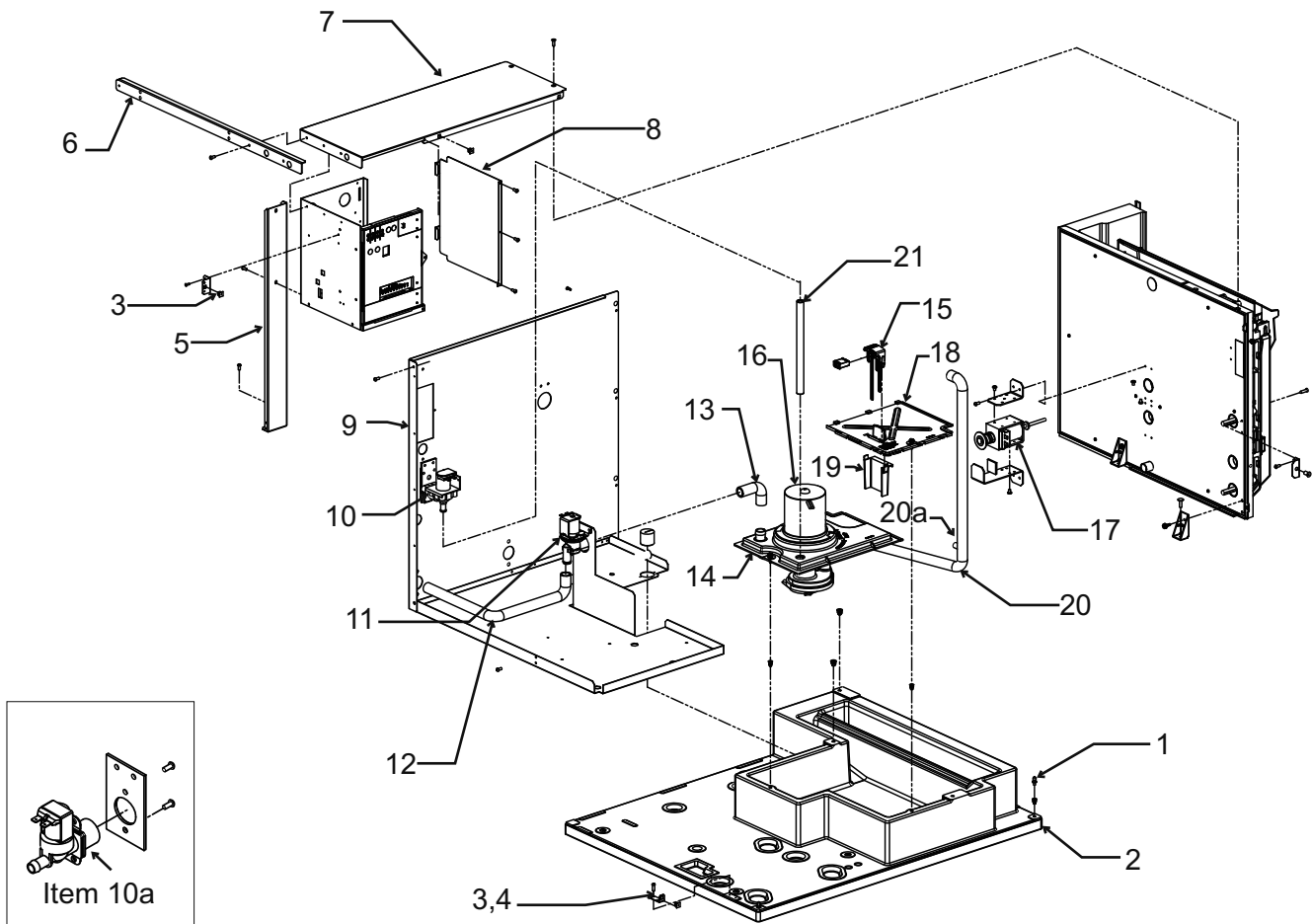
Cabinet - C0830, C1030



Item Number	Part Number	Description	Item Number	Part Number	Description
1	A38941-022	Top panel, w/trim strips	8a	02-4215-01	Receptacle
1a	02-4221-01	Left trim strip	9	02-4067-03	Side panel support for water cooled and remote models
1b	02-4221-02	Right trim strip		02-4067-04	Side panel support for air cooled models
2	02-4240-02	Evaporator cover	10	02-4336-02	Right side panel liner
2a	03-3879-01	Screw	11	02-4212-01	Air filter
3	02-4218-02	Sound shield	12	02-4224-01	Louver panel
4	A38552-023	Front panel assembly, includes trim strip, gussets and labels.	12a	A39222-001	Filter guide
4a	02-4216-01	Top gusset	12b	A39238-001	Louver bracket
4b	02-4217-01	Bottom gusset	13	A38551-023	Left side panel, AC
5	03-1735-03	Screw, front panel		A38551-024	Left side panel WC, RC
6	02-4284-01	Bezel, full window	14	03-1404-12	Screw
6a	02-4284-02	Bezel, partial window	15	A30911-015	Machine straps
7	02-4214-02	Trim strip	16	16-0355-00	Inlet water fitting, flare
8	A38553-022	Right side panel assy	17	03-1405-15	Screw

C0330, C0530, C0630, C0830, C1030 Service Parts

Interior Parts



Item Number	Part Number	Description
1	15-0411-00	Strike
2	no number	Base, insulated
3	03-3804-01	Receptacle
4	A38732-001	Side panel mount
5	A38607-001	Strut, C0330-630
	A38629-001	Strut, C0830, C1030
6	A38582-001	Brace
7	A38539-002	Control box top
8	A38537-001	Control box side
9	no number	Back panel
10	12-2922-01	Inlet water sol vlv, 115 volt
	12-2922-02	Inlet water sol vlv, 230 volt
	12-2912-01	Water valve rebuild kit
10a	11-0568-02	Inlet water sol vlv, CE mod
11	11-0564-01	Purge valve, 115 volt
	11-0564-02	Purge valve, 230 volt
12	A38861-002	Drain tube
13	A38861-001	Drain hose
14	02-4164-01	Water pump bracket
15	A39030-021	Water level sensor

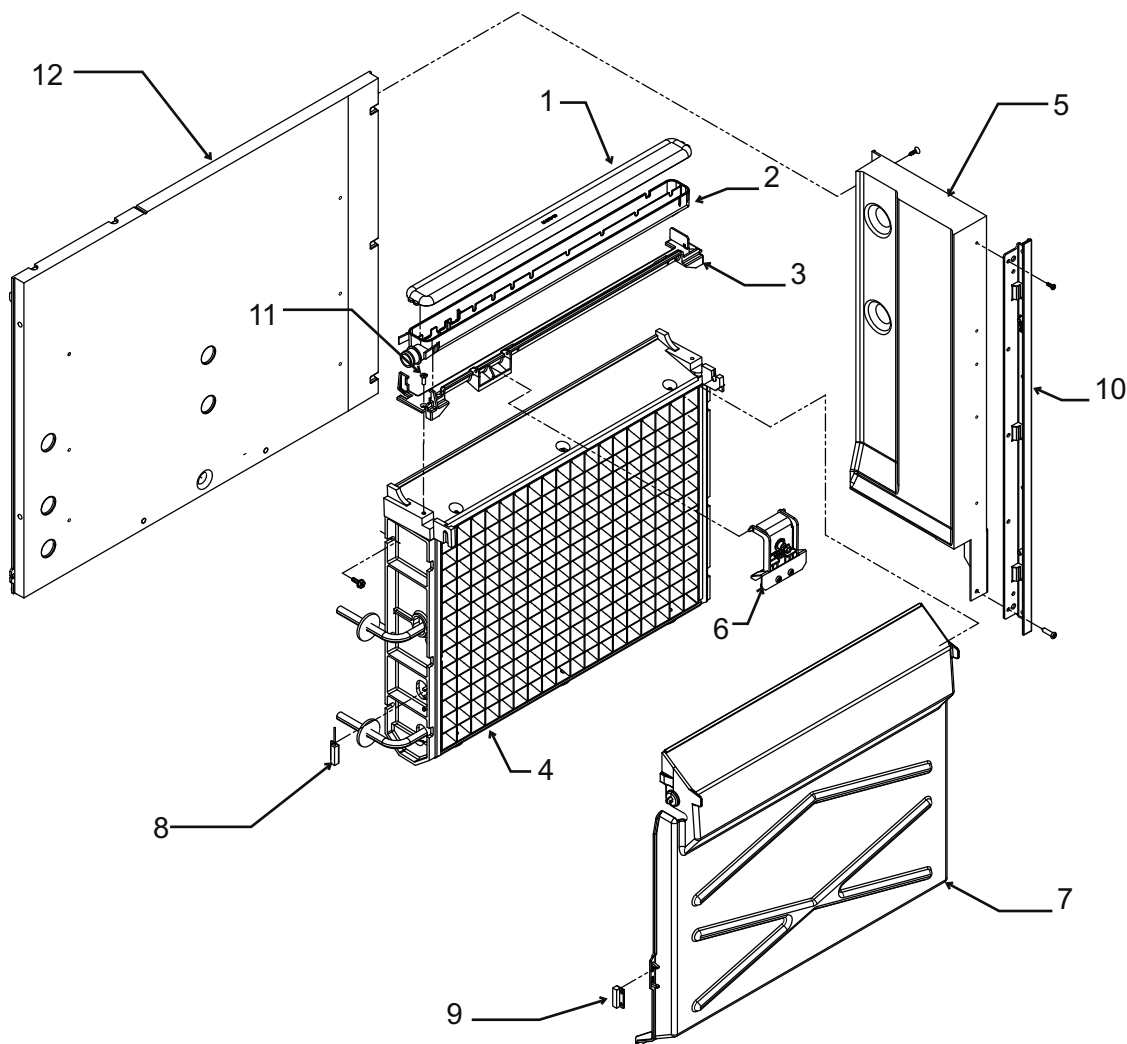
16	see table	Water pumps
Pumps	115	208-230
C0330, C0530	12-2919-21	12-2919-22
C0630	-	12-2919-22
C0830, C1030	-	12-2920-23

17	see table	Harvest assist solenoid
Hvst. solenoids	115	208-230
C0330, C0530	12-2918-21	12-2918-22
C0630	-	12-2918-22
C0830, C1030	-	12-2934-22

18	02-4166-01	Reservoir cover
19	02-4332-01	Sensor cover
20	02-4154-03	Pump hose, C0830-C1030
	02-4154-02	Pump hose, C0530-C0630
	02-4154-01	Pump hose, C0330
20a	11-0515-21	Temp sensor set
21	13-0674-02	Fill hose order by ft
	15-0821-01	Fill hose, -6 CE models

C0330, C0530, C0630, C0830, C1030 Service Parts

Evaporator Compartment



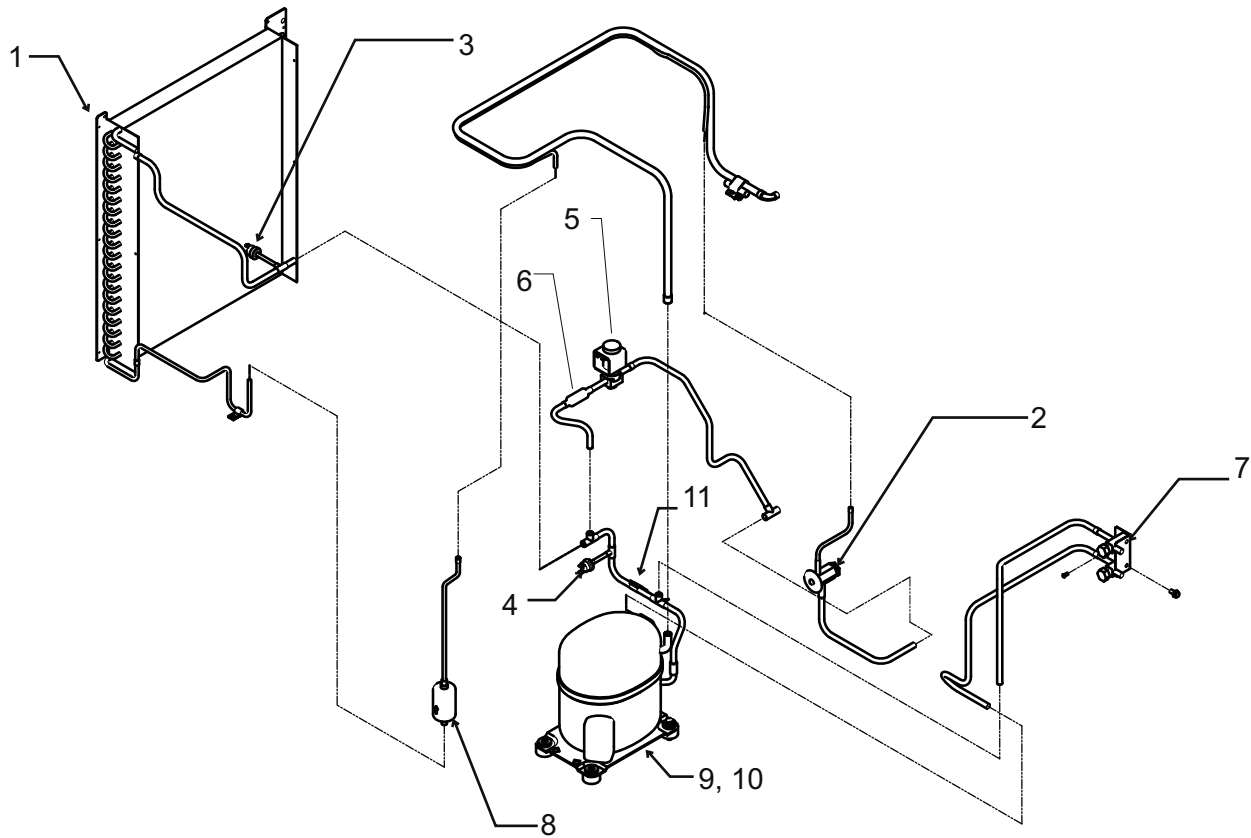
Item Number	Part Number	Description
1	02-4065-01	Water distributor cover
2	02-4064-01	Water distributor
3	02-4205-01	Mounting bracket
4	see table	Evaporator
5	A38596-001	Back wall, C0330, C0530, C0630
	A38598-001	Back wall, C0803, C1030
6	A39031-021	Ice thickness sensor
7	02-4100-21	Curtain, C0330
	02-4100-22	Curtain, C0530, C0630
	02-4100-23	Curtain, C0830, C1030
8	11-0563-01	Curtain switch
9	11-0563-02	Curtain switch magnet
10	02-4067-01	Side panel support C0330, C0530, C0630
	02-4067-03	Side panel support C0830, C1030
11	03-1418-30	Mounting screw
12	13-0943-01	Gasket tape

Note: Item 7 includes item 9, shipped loose.

	small cube	medium cube
C0330	A38626-021	A38626-022
C0530, C0630	A38627-021	A38627-022
C0830, C1030	A38628-021	A38628-022

C0330, C0530, C0630, C0830, C1030 Service Parts

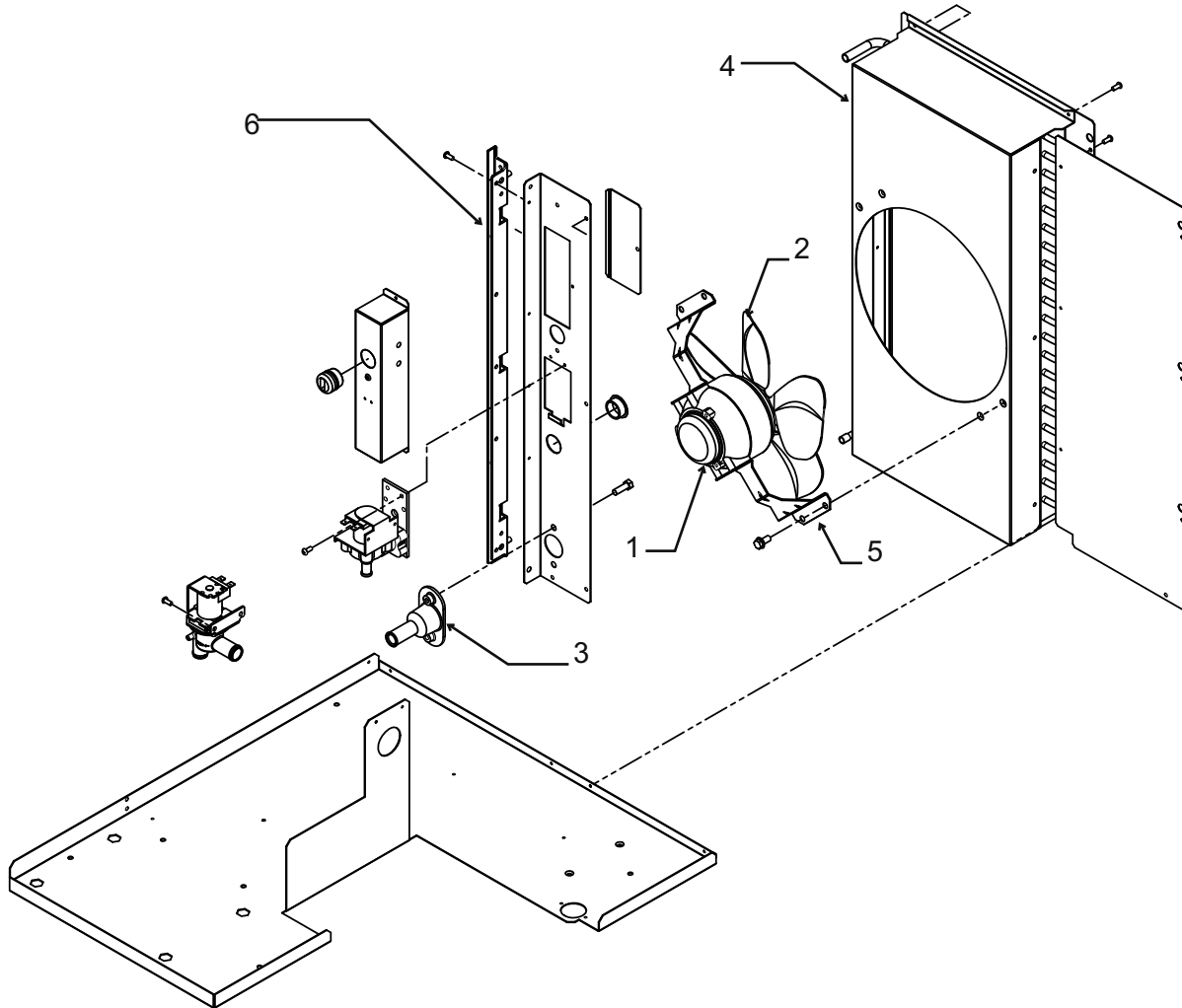
Air Cooled Refrigeration System



Item Number	Part Number	Description	Item Number	Part Number	Description	
1	18-8890-01	Condenser, AC, C0330	5	11-0493-02	Hot gas valve, 115 volt	
	18-8920-01	Condenser, AC, C0530		12-2719-21	115 volt coil	
	18-8896-01	Condenser, AC, C0630		11-0493-01	Hot gas valve, 230 volt	
	18-8895-01	Condenser, AC, C0830, C1030		12-2719-22	230 volt coil	
2	16-1117-21	TXV, C0530	6	12-2733-30	HGV rebuild kit	
	16-1117-22	TXV, C0630		7	16-1063-01	Strainer
	16-1117-23	TXV, C0330			16-0832-20	Access valve
	02-3792-01	Insulation for Alco TXV			16-0832-03	Port cap
	16-1142-01	TXV, C0830, C1030			16-0832-02	Stem cap
02-4045-01	insulation Danfoss TXV	8	02-3319-01		Dryer C0330 thru C0630	
3	11-0566-21		Fan cycle pressure sw.	02-3319-02	Dryer, C0830 & C1030	
	4	11-0501-05	Hi pressure cut out, C0330, C0530 and C0630	9	see page 12	Compressors
10				see page 12	Compressor mounting hdw	
			11	11-0515-21	Temp sensor set	

C0330, C0530, C0630, C0830, C1030 Service Parts

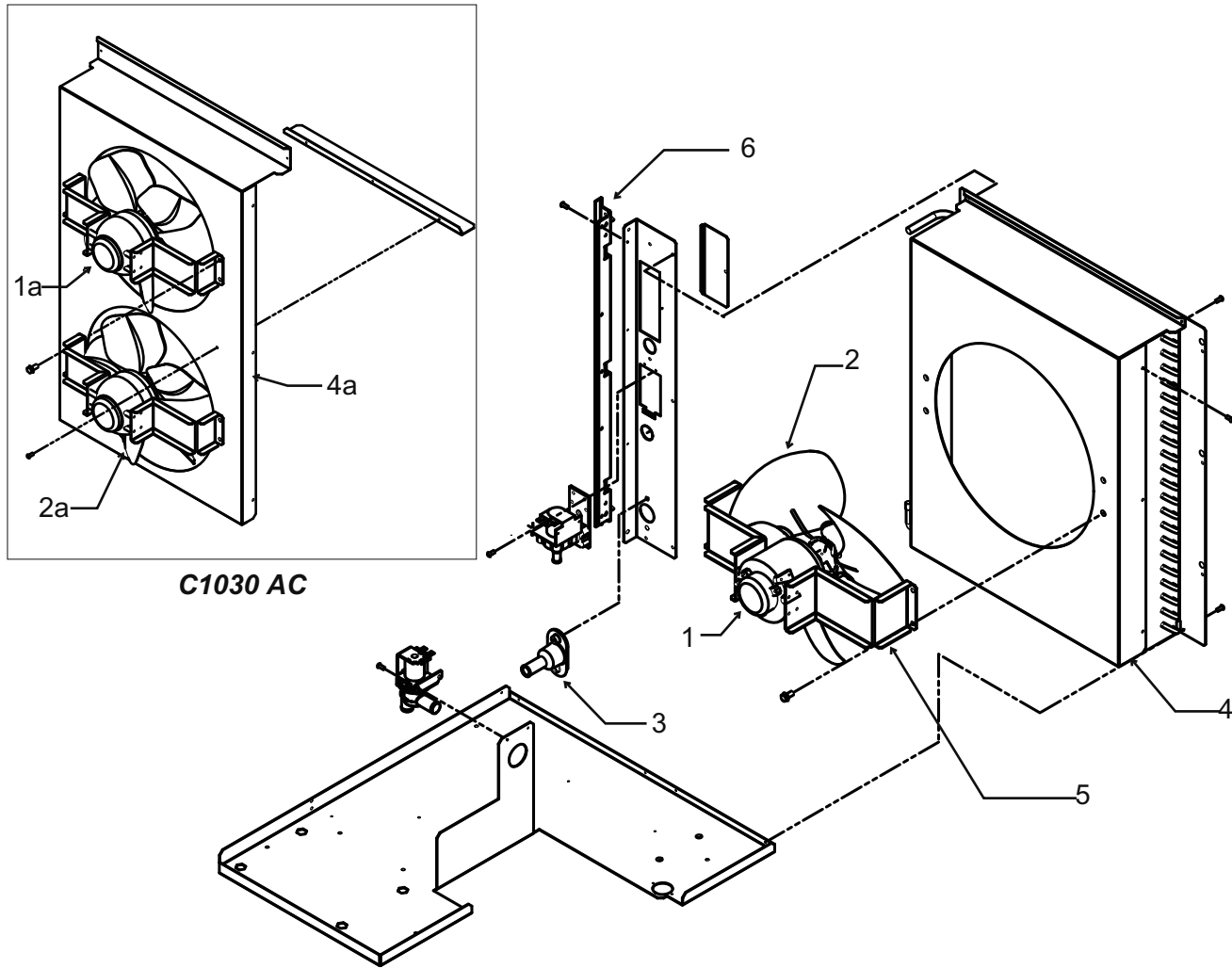
Air Cooled Mechanical & Electrical - C0330



Item Number	Part Number	Description
1	12-1681-23	Fan motor, C0330, 115 volt
	12-1681-04	Fan motor, C0330, 230 volt
2	18-8836-01	Fan blade, C0330
3	02-3692-21	Drain adapter - also for WC and RC
4	A38841-001	Fan shroud, C0330
5	A38480-001	Fan motor bracket, C0330
6	02-4067-02	Side panel support, C0330, C0530, C0630

C0330, C0530, C0630, C0830, C1030 Service Parts

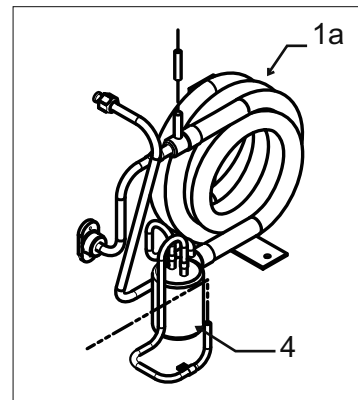
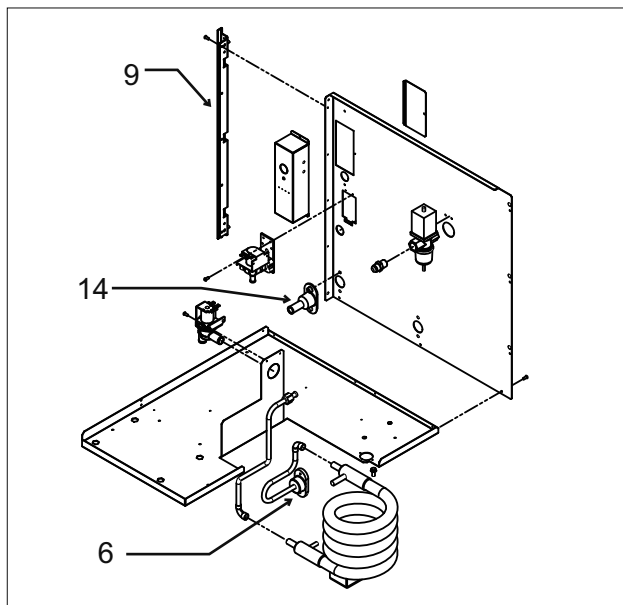
Air Cooled Mechanical & Electrical - C0530, C0630, C0830, C1030



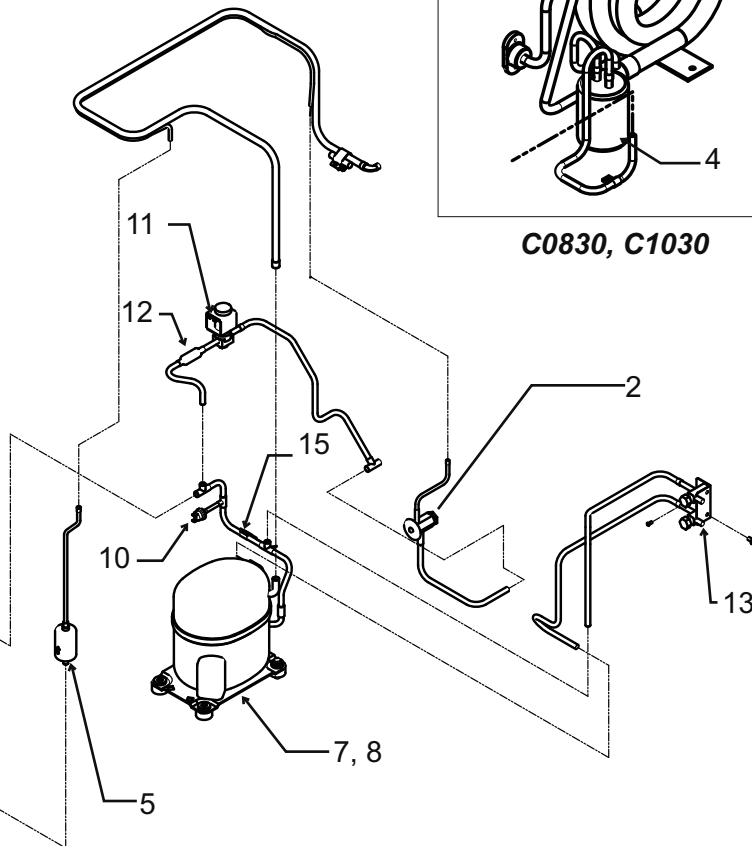
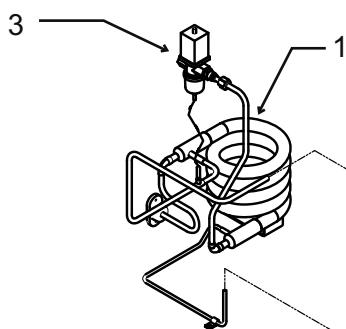
Item Number	Part Number	Description	Part Number	Description
			5a	A38555-001 Fan motor bracket, C1030
			6	02-4067-02 Side panel support, C0330, C0530, C0630
1	18-8926-01	Fan motor, C0530 115 v	02-4067-03	Side panel support, C0830, C1030
	18-8927-01	Fan motor, C0530 230 volt, C0630, C0830		
1a	18-8899-01	Fan motor, C1030		
2	18-8882-01	Fan blade, C0530 - C0830		
2a	18-8900-01	Fan blade, C1030		
3	02-3692-21	Drain adapter - also for WC and RC		
4	A38623-001	Fan shroud - C0530, C0630, C0830		
4a	A38624-001	Fan shroud - C1030		
5	A38554-001	Fan motor bracket, C0530, C0630, C1030		

C0330, C0530, C0630, C0830, C1030 Service Parts

Water Cooled Refrigeration System



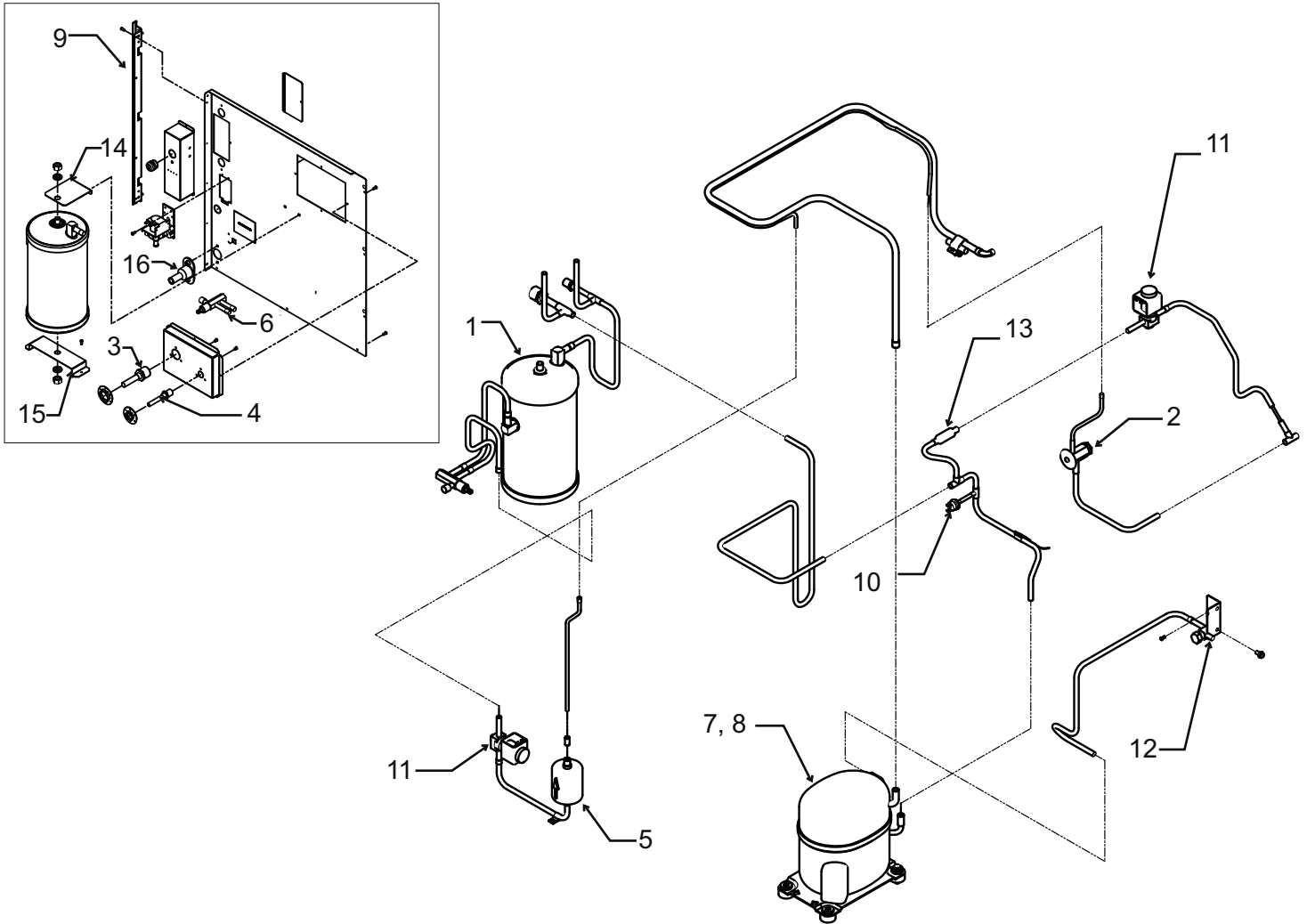
C0830, C1030



Item Number	Part Number	Description	Item Number	Part Number	Description
1	18-8871-21	Condenser, WC, C0330, C0530, C0630, C0830	7	see page 12	Compressors
1a	18-8893-21	Condenser, WC, C1030	8	see page 12	Compressor mounting hdw
2	16-1117-21	TXV, C0530	9	02-4067-01	Side panel support, C0330, C0530, C0630
	16-1117-22	TXV, C0630		02-4067-04	Side panel support, C0830, C1030
	16-1117-23	TXV, C0330	10	11-0501-21	High pressure cut out
	02-3792-01	Insulation for Alco TXV	11	11-0493-02	Hot gas valve, 115 volt
	16-1142-01	TXV, C0830, C1030		11-0493-01	Hot gas valve, 230 volt
	02-4045-01	insulation Danfoss TXV		12-2719-22	230 volt coil
3	11-0478-01	Water regulating valve		12-2733-30	HGV rebuild kit
4	16-0874-01	Receiver, C0830, C1030	12	16-1063-01	Strainer
5	02-3319-01	Dryer, C0330 thru C0630	13	16-0832-20	Access valve
	02-3319-02	Dryer, C0830 - C1030		16-0832-03	Port cap
6	A31828-002	Condenser drain		16-0832-02	Stem cap
			14	02-3692-21	Drain adapter
			15	11-0515-21	Temp sensor set

C0330, C0530, C0630, C0830, C1030 Service Parts

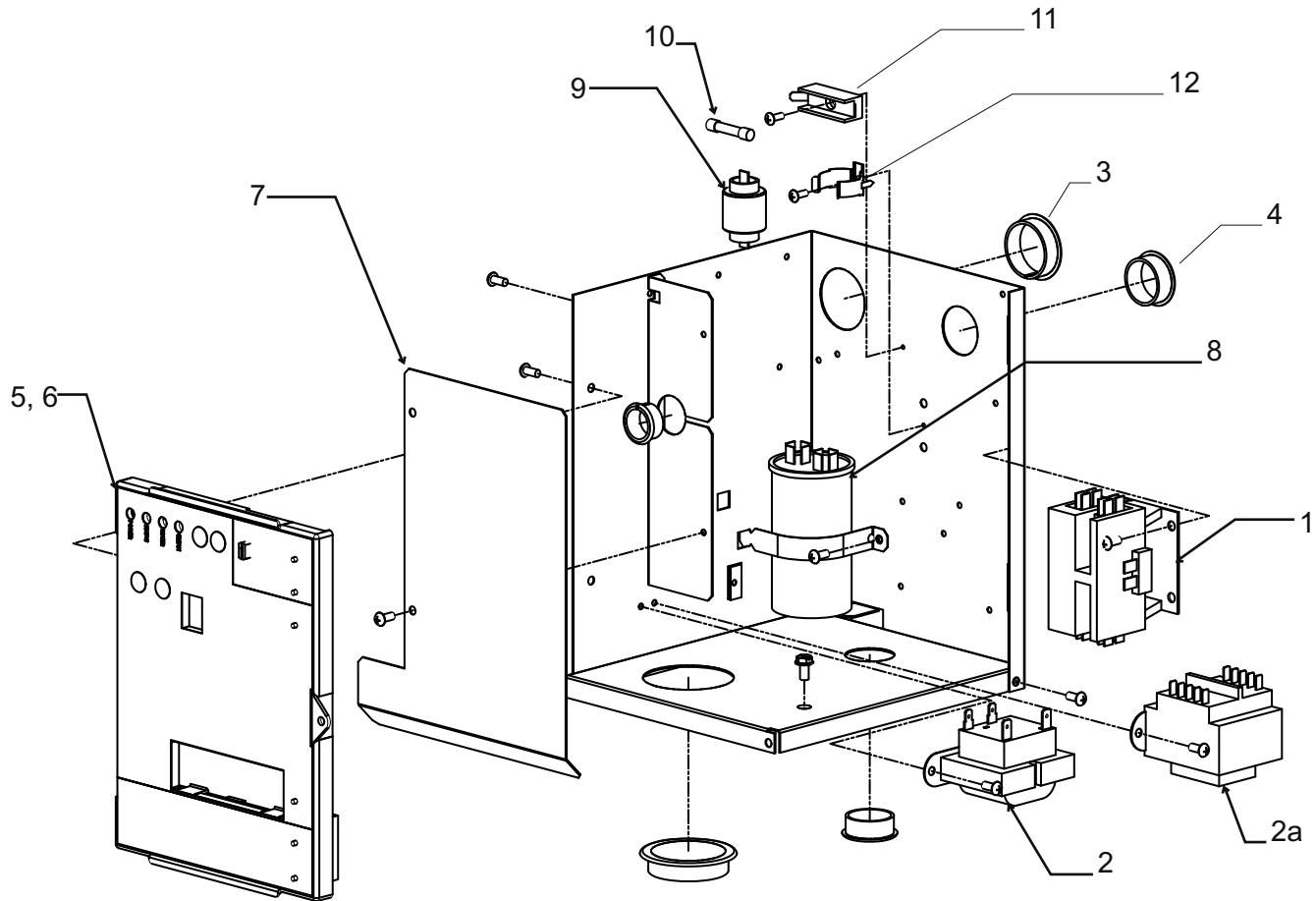
Remote Refrigeration System



Item Number	Part Number	Description	Item Number	Part Number	Description
1	16-1121-01	Receiver, C0530, C0630	8a	see page 12	Crankcase heater
	16-1037-01	Receiver, C0830, C1030	9	02-4067-01	Side panel support, C0330, C0530, C0630
2	16-1117-21	TXV, C0530		02-4067-04	Side panel support, C0830, C1030
	16-1117-22	TXV, C0630	10	11-0501-22	High pressure cut out
	16-1117-23	TXV, C0330	11	11-0493-02	Liquid line valve or HGV, 115 volt
	02-3792-01	Insulation for Alco TXV		11-0493-01	Liquid line valve or HGV, 230 volt
	16-1142-01	TXV, C0830, C1030	12	16-0832-20	Access valve
	02-4045-01	insulation Danfoss TXV		16-0832-03	Port cap
3	16-0850-01	Discharge quick connect		16-0832-02	Stem cap
4	16-0850-03	Liquid quick connect	13	16-1063-01	Strainer
5	02-3319-02	Drier	14	A37211-001	Top receiver bracket
6	16-1030-01	Liquid line access valve	15	A37212-001	Bottom receiver bracket
7	see page 12	Compressors	16	02-3692-21	Drain adapter
8	see page 12	Compressor mounting hdw			

C0330, C0530, C0630, C0830, C1030 Service Parts

Electrical & Control Box



Item Number	Part Number	Description
1	12-2469-03	Contactors, 115 volt
	12-2469-02	Contactors, 230, single ph
	12-2533-01	Contactors, three phase
2	12-2924-01	Transformer, 115 volt
	12-2924-02	Transformer, 230 volt
2a	12-2369-01	Transformer, 50 Hz
3	12-1213-11	Snap bushing
4	12-1213-15	Snap bushing
5	11-0550-22	Service controller, fits all Prodigy cubers
6	02-4076-01	Control box door
	02-4189-01	Overlay label
7	A39216-001	Barrier
8		see next page Run capacitor
9		see next page PTCR -
10	12-2686-01	Fuse, 50 Hz only
11	12-2687-01	Fuse holder
12	18-8835-02	Bracket
		Wiring Harnesses (not illustrated)
13	12-2931-01	Power harness, A & W
	12-2931-02	Power harness, Remote
		Power harness connects to J1 on controller
14	12-2932-01	Hi voltage harness, A & W
	12-2933-01	Hi voltage harness, Rem
	12-2971-01	Hi voltage, 50 Hz A & W
		Hi voltage harness has the 8 pin connector
15	12-2928-01	WLS harness

C0330, C0530, C0630, C0830, C1030 Service Parts

Compressors

Model	Electrical	Compressor	Run Capacitor	PTCR
C0330-1	115/60/1	18-8897-21	18-1902-53	18-8835-01
C0330-6	230/50	18-8897-26	18-1902-57	18-8835-01
C0330-32	208-230/60/1	18-8897-22	18-1902-57	18-8835-01
C0530-1	115/60/1	18-8921-21	18-1902-45	18-8835-01
C0530-6	230/50	18-8921-26	18-1902-52	18-8835-01
C0530-32	208-230/60/1	18-8921-22	18-1902-52	18-8835-01
C0630-32	208-230/60/1	18-8922-22	18-1902-56	18-8835-01
C0630-6	230/50	18-8922-26	18-1902-56	18-8835-01
C0830-32	208-230/60/1	18-8813-23	18-1902-53	18-8835-01
C0830-6	230/50	18-8813-27	18-1902-53	18-8835-01
C0830-3	208-230/60/3	18-8813-25	-	-
C1030-32	208-230/60/1	18-8726-23	18-1902-53	18-8835-01
C1030-6	230/50	18-8726-27	18-1902-53	18-8835-01
C1030-3	208-230/60/3	18-8726-25	-	-

Compressor Mounting Hardware

Model	Bolt	Washer	Grommet	Sleeve
C0330	03-1405-20	03-1407-07	18-4700-28	18-0108-41
C0530	03-1405-20	03-1407-07	18-4700-28	18-0108-41
C0630	03-1405-20	03-1407-07	18-4700-28	18-0108-41
C0830	03-1405-20	03-1407-07	18-2300-27	18-2300-26
C1030	03-1405-20	03-1407-07	18-2300-27	18-2300-26

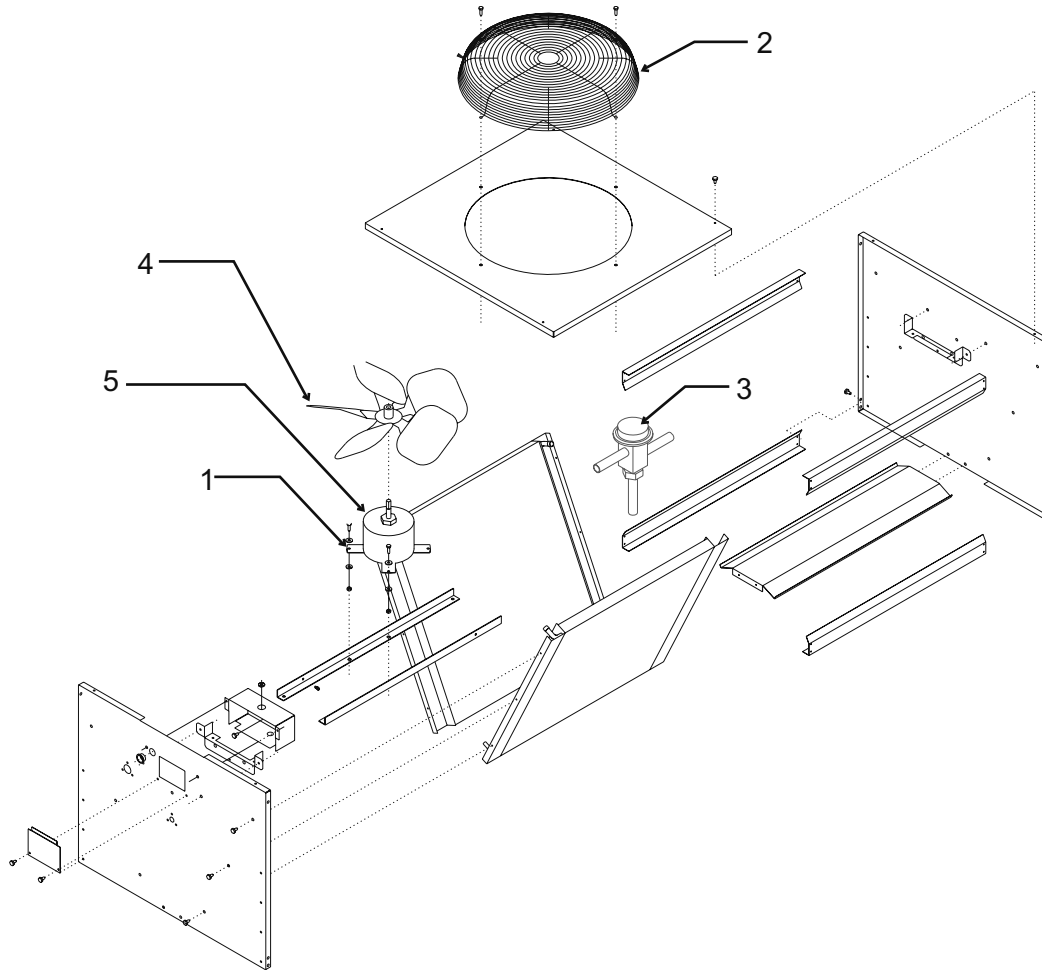
Crankcase Heaters

Model	Crankcase heater
C0530R	12-2942-01
C0630R	12-2942-02
C0830R	18-2308-01
C1030R	18-2308-01

* Included with replacement compressor

C0330, C0530, C0630, C0830, C1030 Service Parts

Remote Condenser, ERC111, ERC211, and ERC311



Item Number	Part Number	Description
1	03-1405-08	Screw
2	02-3575-01	Fan guard
3	16-1044-01	Headmaster
4	18-8816-01	Fan blade
5	12-2651-01	Fan motor - 230 volt (ERC311)
	12-2651-02	Fan motor - 115 volt (ERC111 and ERC211)

Not Shown:

A37169-001	Leg
A37170-001	Leg brace
03-1645-01	Screw for legs
16-0850-01	Quick connect, discharge
16-0850-03	Quick connect, liquid