

Eclipse 600, 800, 1000 Service Parts

This part list contains the service parts for the Eclipse 600, 800 and 1000 systems.

The models that are covered include:

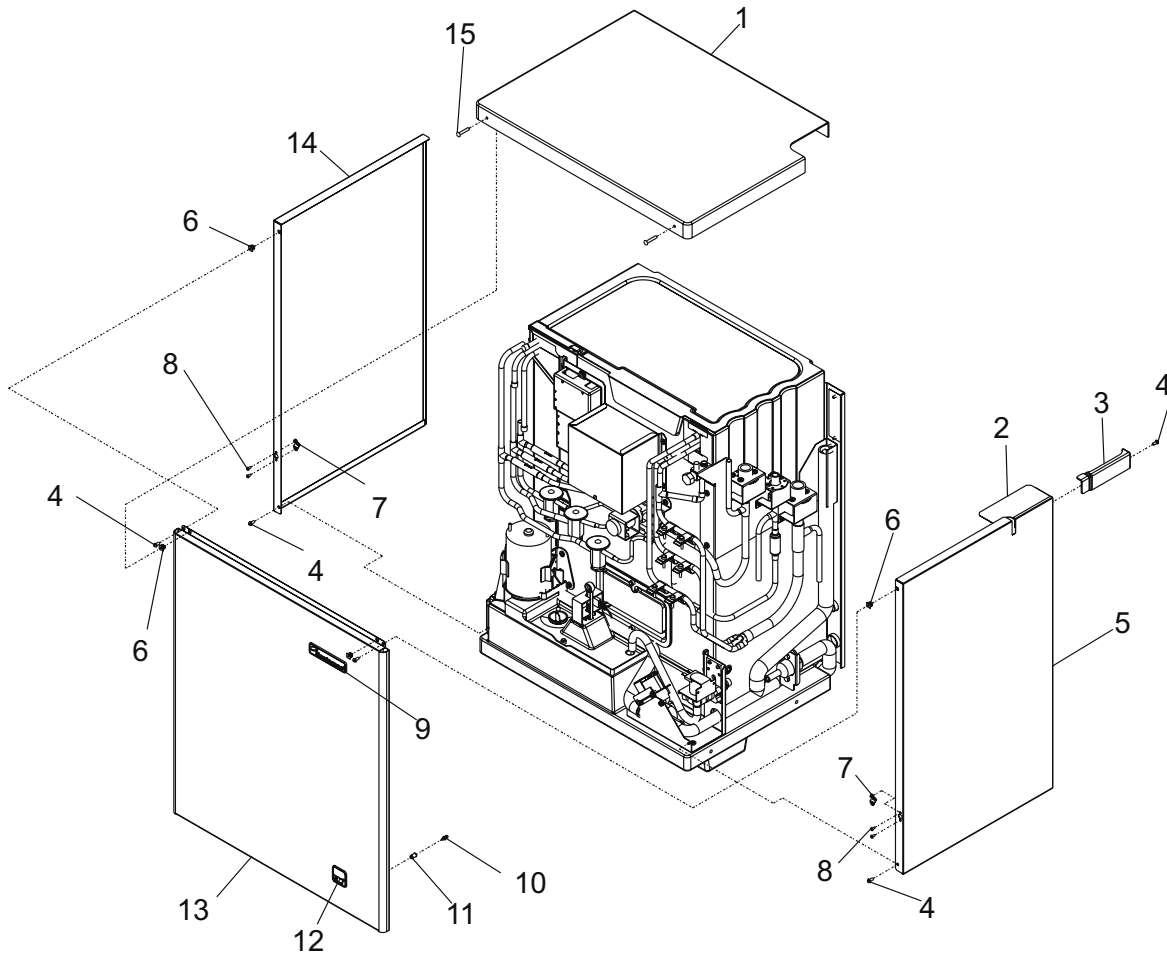
- CME686
- CME810
- CP686
- CP886
- CP1086
- ERC680
- ERC1086
- ER2C6810

Table of Contents

| | |
|--|---------|
| CME686 and CME810 Cabinet | Page 2 |
| CME686 and CME810 Interior Parts | Page 3 |
| CME686 and CME810 Water and Control Systems | Page 4 |
| CME686 and CME810 Water Valves & Sensor | Page 5 |
| CME686 and CME810 Refrigeration | Page 6 |
| CME686 and CME810 Electrical | Page 7 |
| CP686, CP886 and CP1086 Cabinet | Page 8 |
| CP686, CP886 and CP1086 Refrigeration Systems | Page 9 |
| Compressors | Page 10 |
| CP686, CP886 and CP1086 Control Box | Page 11 |
| Remote Condensers | Page 12 |
| CME686 and CME810 Schematic Diagram | Page 13 |
| CME686 and CME810 Wiring Diagram | Page 14 |
| CP686, CP886 and CP1086 Single Phase Schematic Diagram | Page 15 |
| CP686, CP886 and CP1086 Single Phase Wiring Diagram | Page 16 |
| CP686, CP886 and CP1086 Three Phase Wiring Diagram | Page 17 |
| CP686, CP886 and CP1086 Three Phase Schematic Diagram | Page 18 |

Eclipse 600, 800, 1000 Service Parts

CME686 and CME810 Cabinet

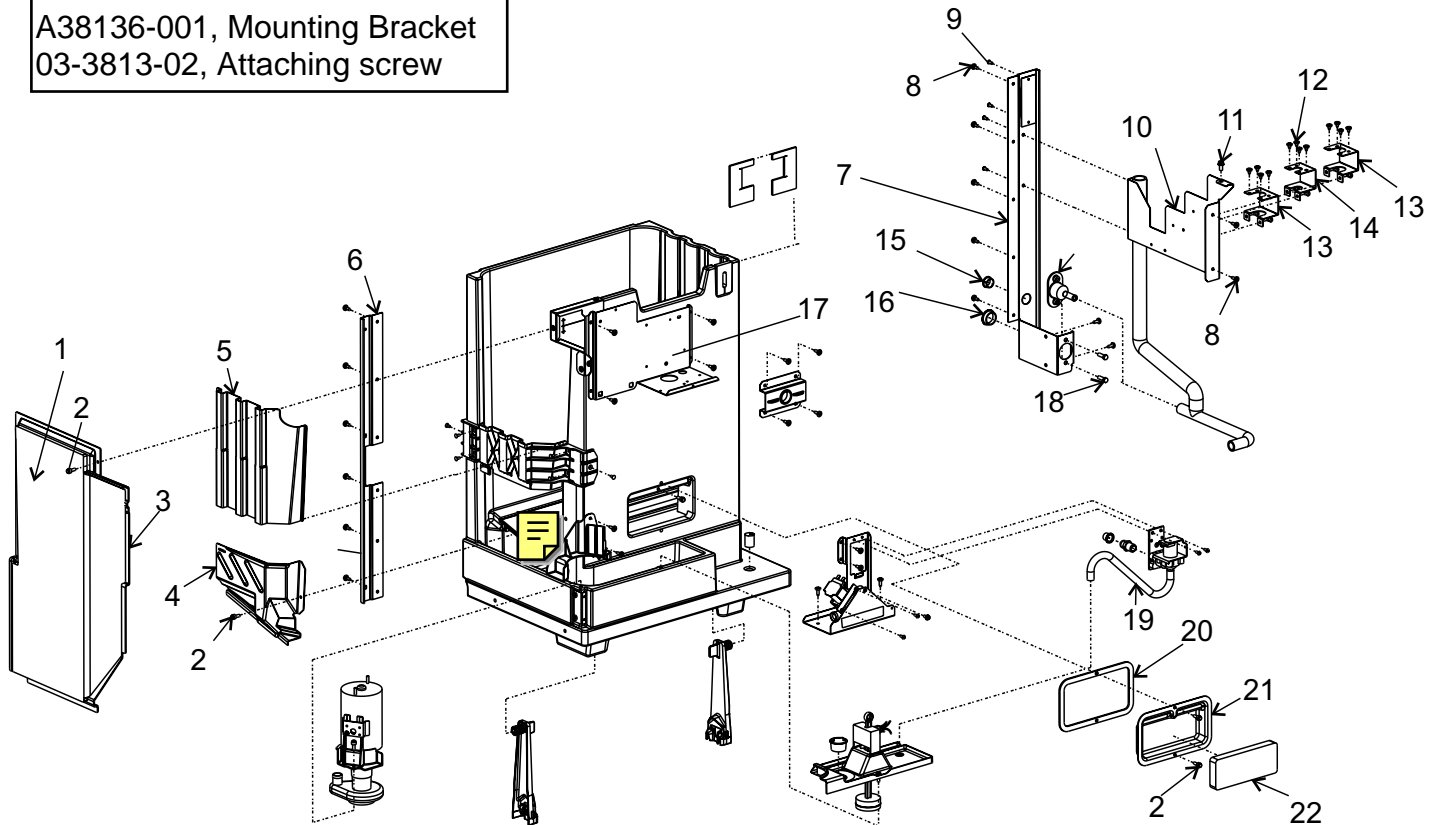


| Item Number | Part Number | Description |
|-------------|-------------|------------------|
| 1 | 02-3894-01 | Top panel |
| 2 | A38101-001 | Cover plate |
| 3 | 02-3894-03 | Plastic edge |
| 4 | 03-1531-01 | Screw |
| 5 | A37940-022 | Right side panel |
| 6 | 03-3804-01 | Speed nut |
| 7 | 03-1733-02 | Catch |
| 8 | no number | Rivet |
| 9 | 15-0809-01 | Emblem |
| 10 | 03-1733-01 | Strike |
| 11 | 03-1734-01 | Insert |
| 12 | 15-0811-01 | Emblem, CM3 |
| 13 | A37944-020 | Front panel |
| 14 | A37940-021 | Left side panel |
| 15 | 03-1735-01 | Screw |

Eclipse 600, 800, 1000 Service Parts

CME686 and CME810 Interior Parts

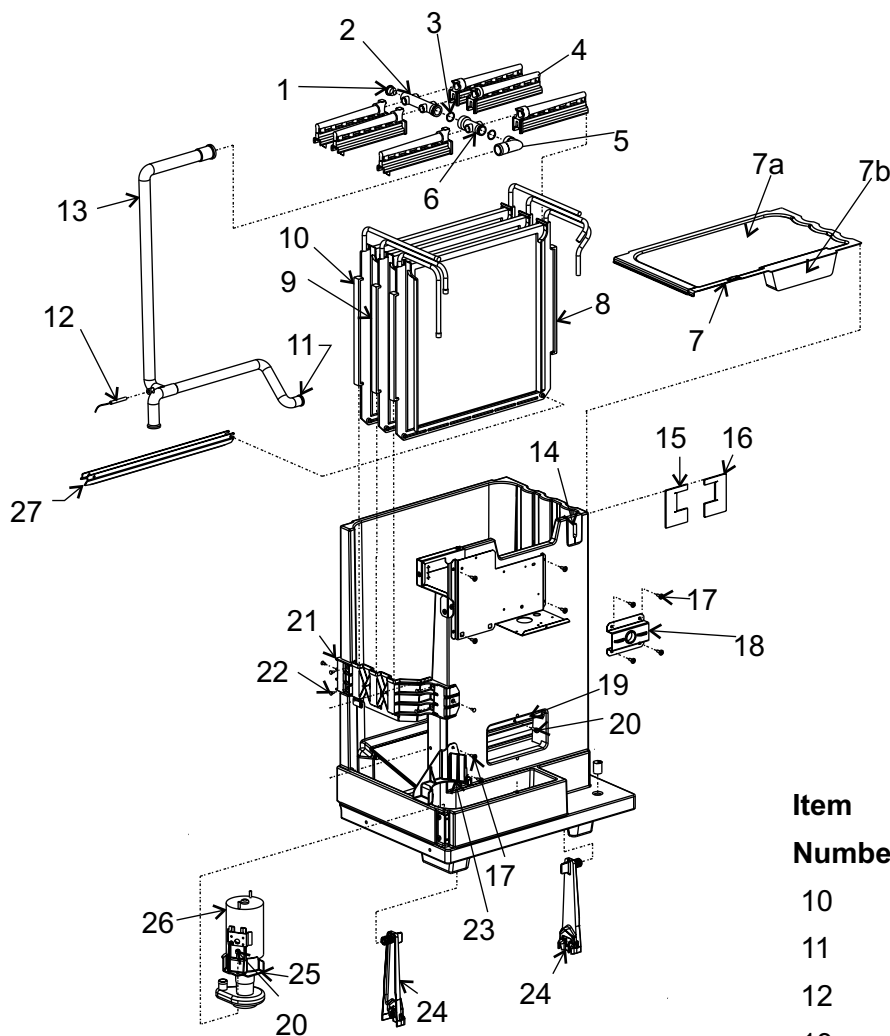
A38136-001, Mounting Bracket
03-3813-02, Attaching screw



| Item Number | Part Number | Description | Item Number | Part Number | Description |
|-------------|-------------|-----------------------|-------------|-------------|------------------------|
| 1 | 02-3896-04 | Insulation for item 3 | 14 | A37966-002 | Bracket |
| 2 | 03-1691-01 | Nylon screw | 15 | 12-1213-10 | Snap bushing |
| 3 | 02-3893-01 | Inner side panel | 16 | 02-1875-13 | Hole plug |
| 4 | 02-3884-01 | End deflector | 17 | A37923-001 | Control bracket |
| 5 | 02-3882-01 | Top end cover | | A37924-001 | Cover for item 17 |
| 6 | A37927-001 | Back Channel | 18 | 03-0571-01 | Screw |
| 7 | A37925-001 | Back panel | 19 | 02-3886-01 | Inlet tube |
| 8 | 03-1404-18 | Screw | 20 | 02-3896-01 | Seal |
| 9 | 03-1531-01 | Screw | 21 | 02-3883-01 | Cover |
| 10 | A37965-001 | Bracket | 22 | 02-3896-02 | Insulation for item 21 |
| 11 | 03-1645-01 | Screw | | | |
| 12 | 03-1404-15 | Screw | | | |
| 13 | A37966-001 | Bracket | | | |

Eclipse 600, 800, 1000 Service Parts

CME686 and CME810 Water and Control Systems

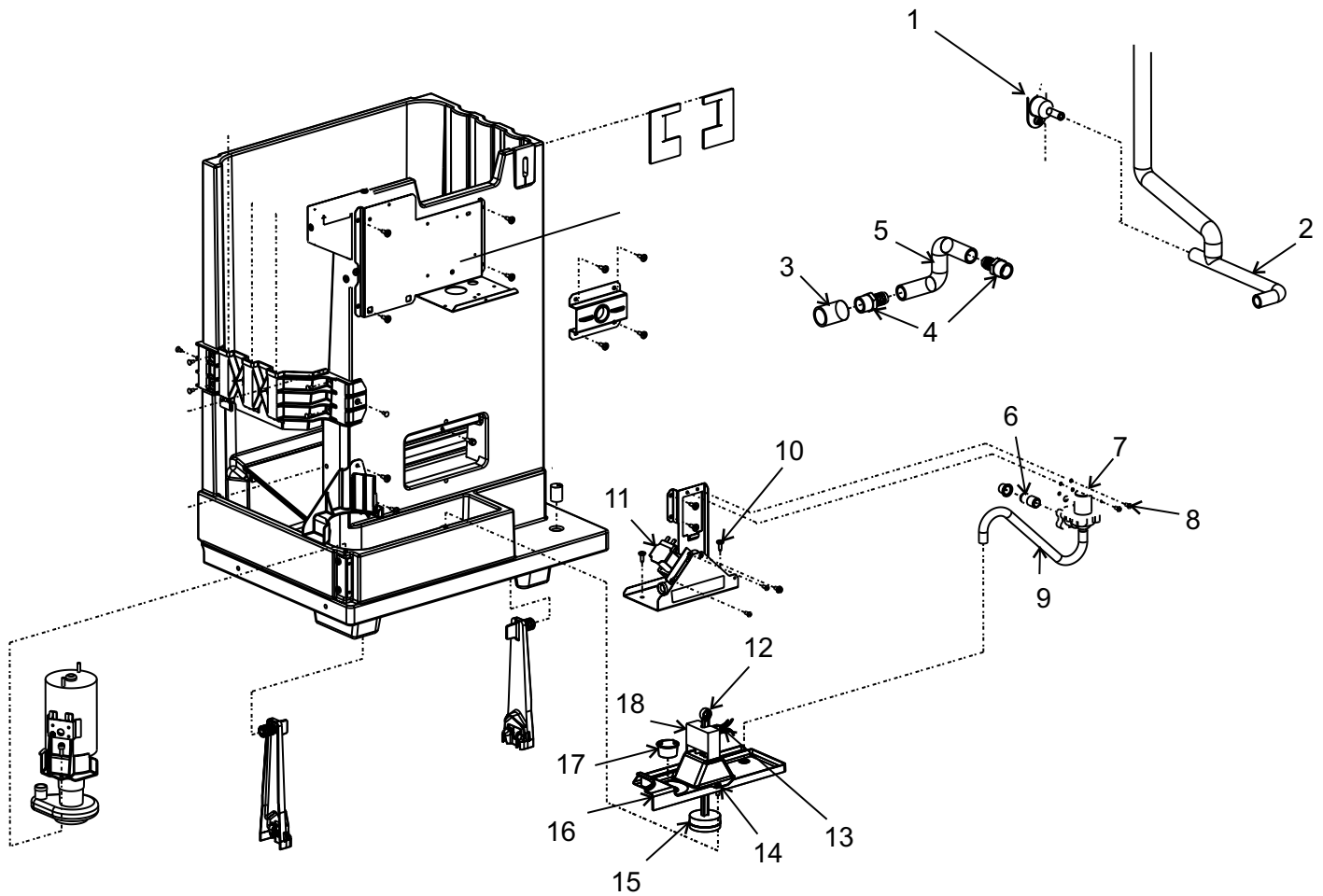


| Item Number | Part Number | Description |
|-------------|-------------|-----------------------|
| 1 | 13-0840-01 | Rubber plug |
| 2 | 02-3518-01 | Manifold |
| 3 | 13-0617-01 | O-ring |
| 4 | 02-2527-01 | Distributor |
| 5 | 02-3613-01 | Elbow |
| 6 | 02-3519-01 | Manifold fitting - |
| 7 | 02-3912-01 | Cover |
| 7a | 02-3896-06 | Insulation for item 7 |
| 7b | 02-3896-03 | Insulation for item 7 |
| 8 | A38010-001 | Front evap. |
| 9 | A38010-002 | Middle evap |

| Item Number | Part Number | Description |
|-------------|-------------|----------------------|
| 10 | A38010-003 | Back evaporator |
| 11 | 02-2814-09 | Hose clamp |
| 12 | 11-0545-21 | Temp sensor set |
| 13 | 02-3888-01 | Pump hose |
| 14 | 02-3779-01 | Grommet |
| 15 | 02-3779-02 | Seal |
| 16 | 02-3779-03 | Seal |
| 17 | 03-1404-18 | Screw |
| 18 | A37968-001 | Valve bracket |
| 19 | 02-3899-01 | Cascading shield |
| 20 | 03-1691-01 | Nylon thumb screw |
| 21 | 02-3892-01 | Evaporator support |
| 22 | 03-1418-30 | Screw |
| 23 | 02-3891-01 | Back pump bracket |
| 24 | 11-0540-22 | Ice sensor set |
| 25 | 02-3890-01 | Front pump bracket |
| 26 | 12-2714-22 | Water pump, 115/60/1 |
| 27 | 02-3824-01 | Water trough |

Eclipse 600, 800, 1000 Service Parts

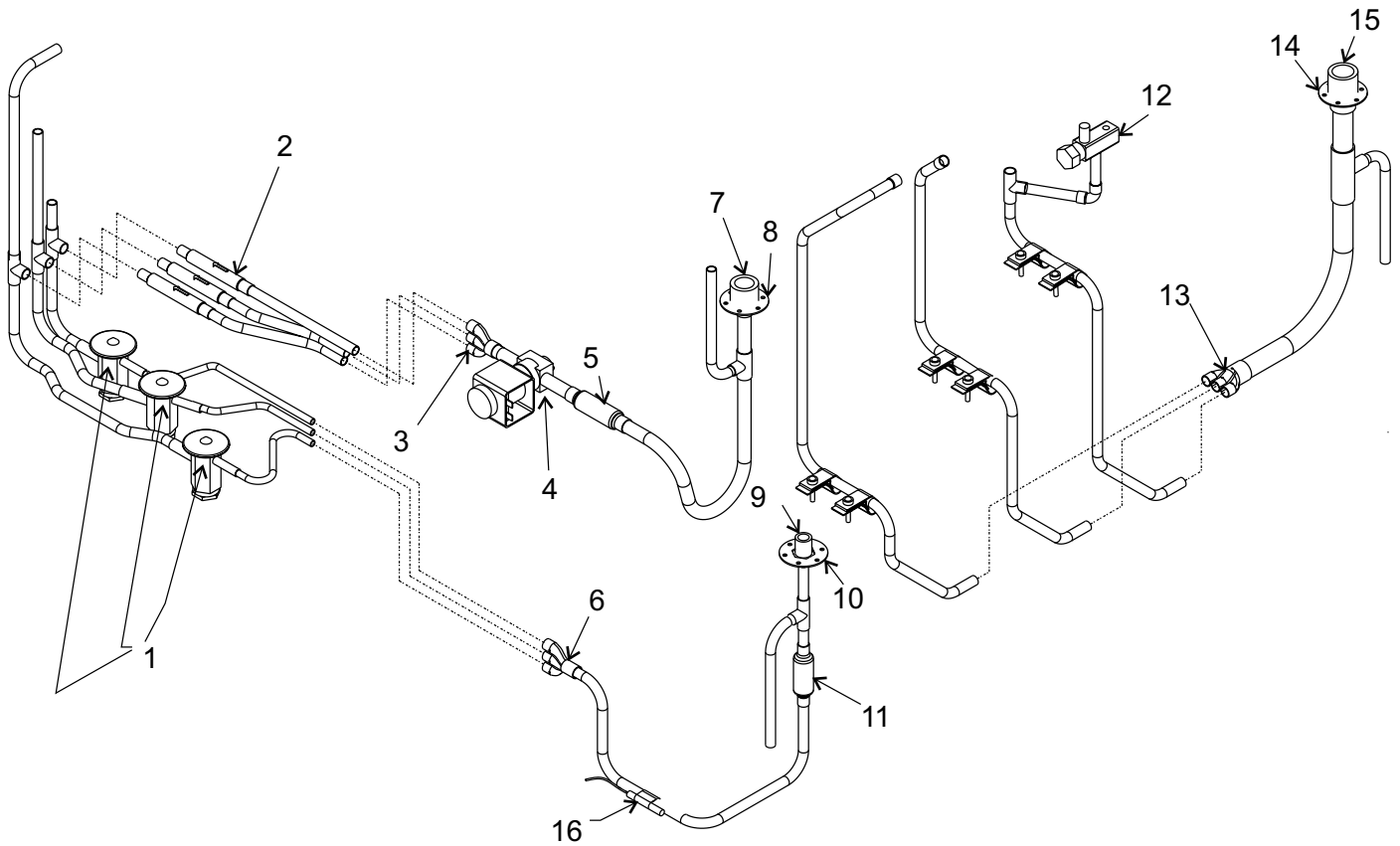
CME686 and CME810 Water Valves & Sensor



| Item Number | Part Number | Description | Item Number | Part Number | Description |
|-------------|-------------|----------------------------|-------------|-------------|-----------------------|
| 1 | 02-3692-21 | Drain fitting | 12 | 02-3777-02 | Float stem for CME686 |
| 2 | 02-3887-01 | Drain tube | | 02-3777-04 | Float stem for CME810 |
| 3 | 16-1099-02 | PVC adapter, 3/4 Female | 13 | 12-2665-01 | Harness for sensor |
| 4 | 16-1099-01 | Barbed adapter | 14 | 03-1691-01 | Nylon thumb screw |
| 5 | 02-3914-01 | Drain tube for left | 15 | 02-3341-01 | Float |
| | 02-3914-02 | Drain tube for right | 16 | 02-3889-01 | Sump cover |
| 6 | 16-0355-00 | Coupling half | 17 | 02-3703-01 | Plug |
| 7 | 12-2548-01 | Inlet water solenoid valve | 18 | 11-0539-21 | Water level sensor |
| 8 | 03-1531-01 | Screw | | | |
| 9 | 02-3886-01 | Inlet tube | | | |
| 10 | 03-1404-18 | Screw | | | |
| 11 | 11-0514-02 | Purge valve | | | |

Eclipse 600, 800, 1000 Service Parts

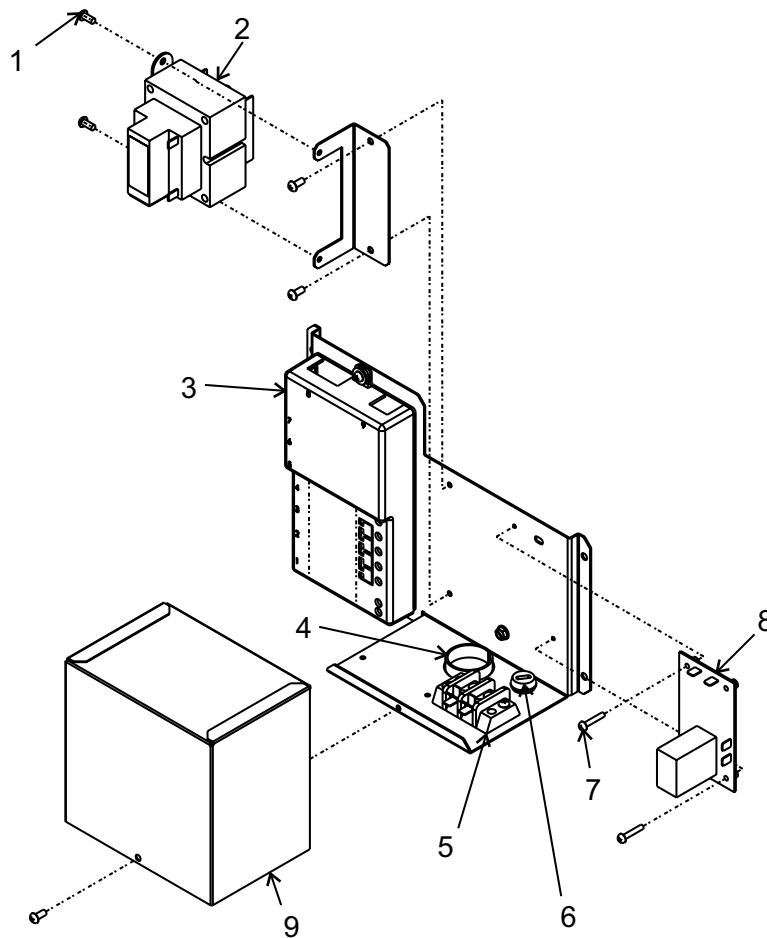
CME686 and CME810 Refrigeration



| Item Number | Part Number | Description | Item Number | Part Number | Description |
|-------------|-------------|--------------------------|-------------|-------------|--------------------|
| 1 | 16-1009-22 | Thermo Expansion Valve | 11 | 16-1063-01 | Strainer |
| | 02-3792-01 | Insulation for item 1 | 12 | 16-0832-20 | Access valve |
| 2 | 16-1071-01 | Check valve | 13 | 16-1047-02 | Manifold, |
| 3 | 16-1047-04 | Manifold | 14 | 16-0701-18 | Flange |
| 4 | 12-2471-22 | CME686 vapor inlet valve | 15 | 16-0850-04 | Suction connection |
| | 11-0507-03 | CME810 Vapor inlet valve | 16 | 11-0545-21 | Temp sensor set |
| 5 | 16-1063-03 | Strainer | | 03-1711-01 | Sensor clip |
| 6 | 16-1047-03 | Manifold | | | |
| 7 | 16-0850-01 | Vapor connection | | | |
| 8 | 16-0701-14 | Flange | | | |
| 9 | 16-0850-03 | Liquid connection | | | |
| 10 | 16-0701-07 | Flange | | | |

Eclipse 600, 800, 1000 Service Parts

CME686 and CME810 Electrical



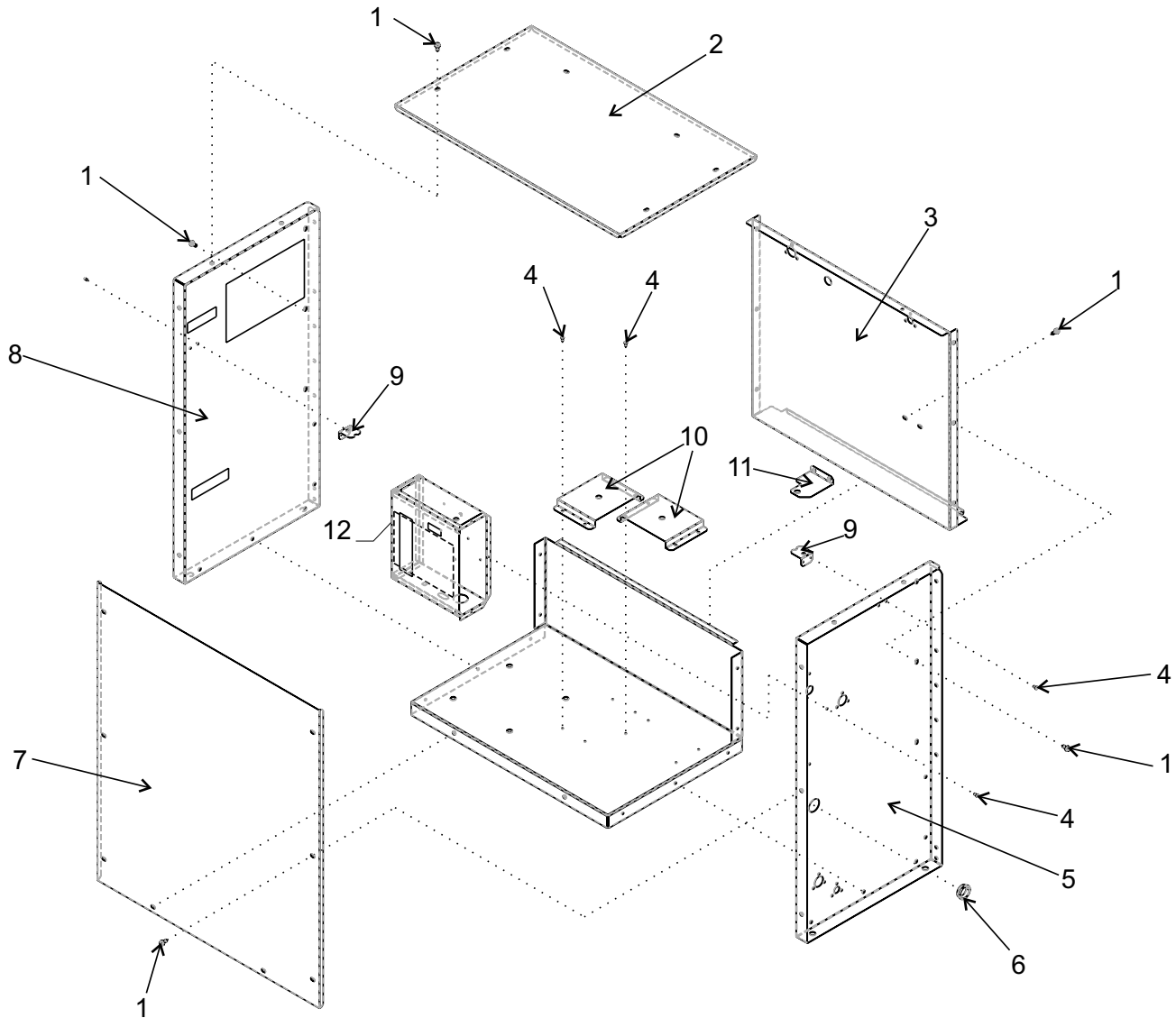
| Item Number | Part Number | Description |
|-------------|-------------|-------------------|
| 1 | 03-1531-01 | Screw |
| 2 | 12-2860-01 | Transformer |
| 3 | 12-2838-21 | Controller |
| 4 | 12-1213-10 | Snap bushing |
| 5 | 12-2780-01 | Terminal block |
| 6 | 12-0629-08 | Strain relief |
| 7 | 03-1638-01 | Screw |
| 8 | 11-0531-21 | Drain valve timer |
| 9 | A37924-001 | Control box cover |

Not illustrated:

| | | |
|----|------------|--------------------|
| 10 | 12-1638-19 | Power cord |
| 11 | 12-2855-01 | Hi voltage harness |
| 12 | 12-2854-01 | Lo voltage harness |

Eclipse 600, 800, 1000 Service Parts

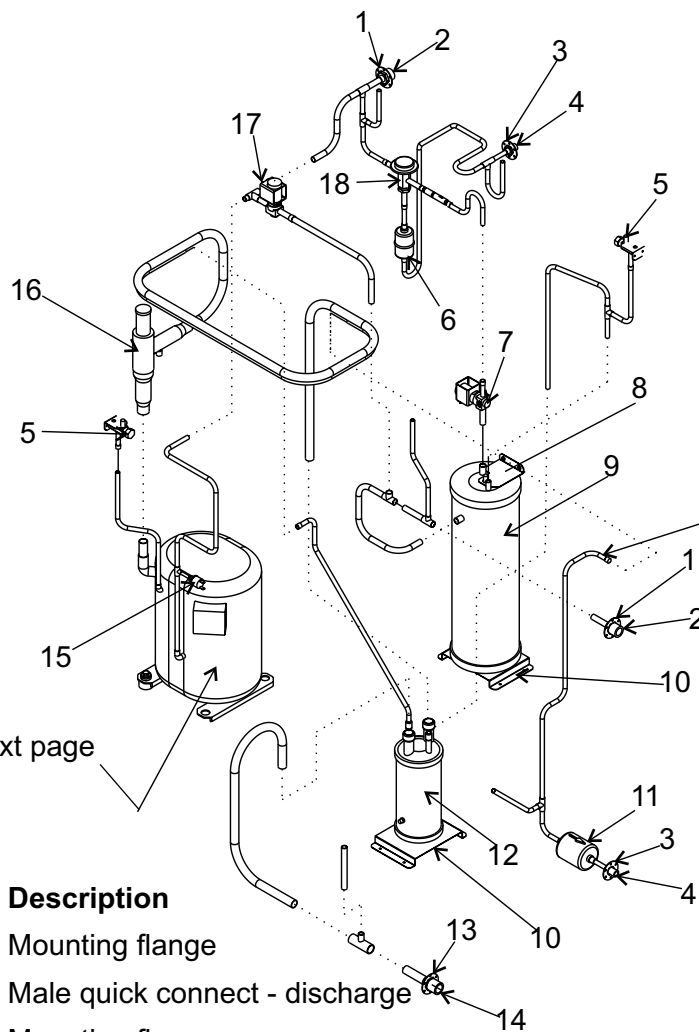
CP686, CP886 and CP1086 Cabinet



| Item Number | Part Number | Description | Item Number | Part Number | Description |
|-------------|-------------|-----------------------|-------------|-------------|---------------------------------|
| 1 | 02-1645-01 | Screw | 10 | A37948-001 | Receiver or accumulator bracket |
| 2 | A37853-001 | Top cover | 11 | A37949-001 | Receiver top bracket |
| 3 | A37845-001 | Back panel | 12 | A37826-001 | Control box cover |
| 4 | 03-1531-01 | Screw | | | |
| 5 | A37829-001 | Right side panel | | | |
| 6 | 12-1213-20 | Snap bushing | | | |
| 7 | A37896-001 | Front cover | | | |
| 8 | A37829-002 | Left side panel | | | |
| 9 | A37962-001 | Service valve bracket | | | |

Eclipse 600, 800, 1000 Service Parts

CP686, CP886 and CP1086 Refrigeration Systems



Compressor - see next page

| Item Number | Part Number | Description |
|-------------|-------------|--------------------------------|
| 1 | 16-0701-14 | Mounting flange |
| 2 | 16-0850-01 | Male quick connect - discharge |
| 3 | 16-0701-07 | Mounting flange |
| 4 | 16-0850-03 | Male quick connect - liquid |
| 5 | 16-0832-20 | Access valve |
| 6 | 02-3231-02 | Filter |
| 7 | 11-0546-21 | Liquid inlet valve (N.O.) |
| 8 | A37949-001 | Top bracket |
| 9 | 16-1085-01 | Receiver |
| 10 | A37948-001 | Bottom bracket |
| 11 | 02-3319-02 | Filter dryer |
| 12 | 16-0801-22 | Suction accumulator |
| 13 | 16-0701-18 | Mounting flange |
| 14 | 16-0850-04 | Male quick connect - suction |
| 15 | 11-0501-22 | Hi press cut out |
| 16 | 16-1096-01 | CPR valve |
| 17 | 11-0507-23 | By pass solenoid valve |
| 18 | 16-1044-01 | Headmaster |

Eclipse 600, 800, 1000 Service Parts

Compressors

Compressor - see table below

| CP Model | Phase | Part Number |
|-----------|--------|-------------|
| CP686-32 | single | 18-8768-22 |
| CP686-2 | three | 18-8768-24 |
| CP886-32 | single | 18-8726-23 |
| CP886-3 | three | 18-8726-25 |
| CP1086-32 | single | 18-8750-22 |
| CP1086-3 | three | 18-8750-24 |

All compressors are 208-230 volt, 60 Hz.

Single phase compressors include starting components.

All include a drier.

18-8726 & 18-8750 types include crankcase heaters

18-2308-01 Crankcase heater for 18-8726 and 18-8750 type

18-1868-02 Crankcase heater for 18-8768 type

Mounting parts for 18-8726 and 18-8750 type compressors:

18-2300-27 Mounting grommet

18-2300-26 Sleeve

03-1406-07 Washer

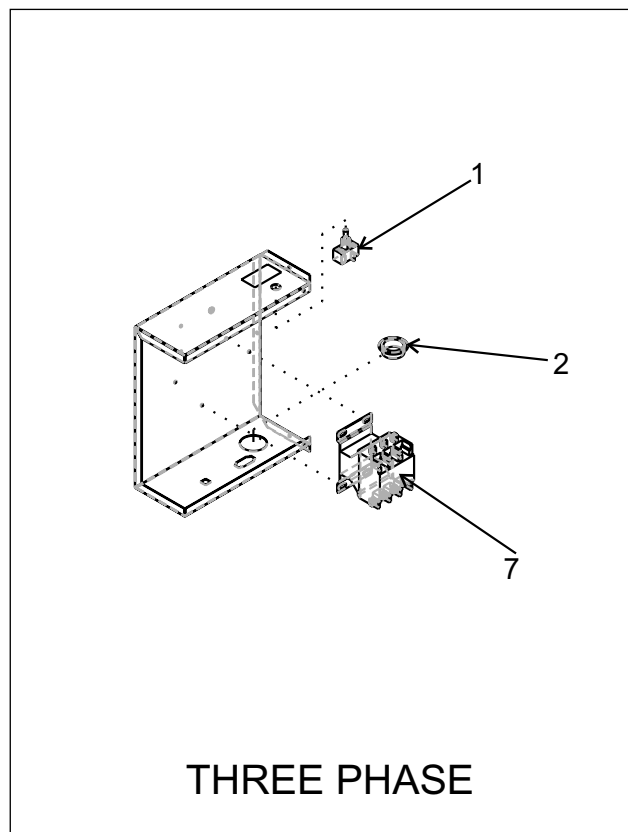
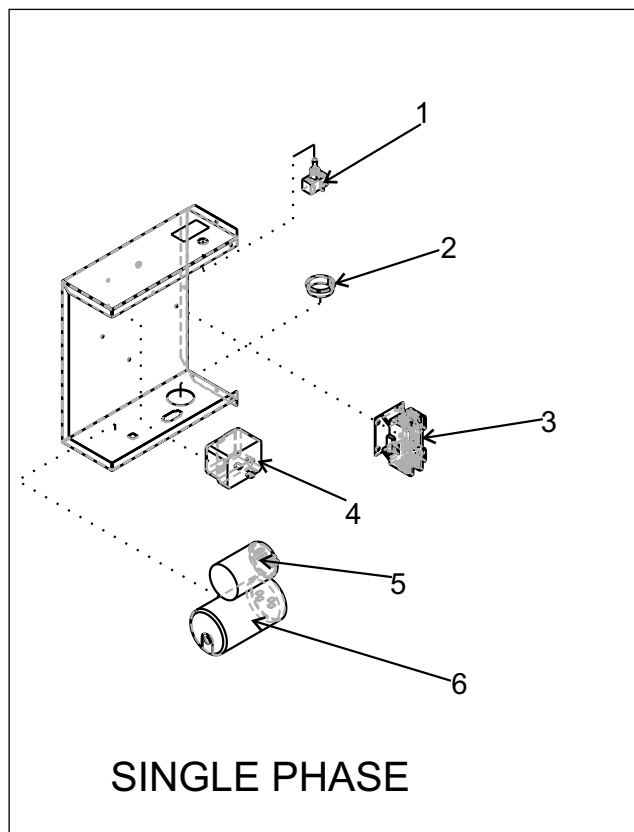
03-1404-15 Cap screw

Parts Shipped in CP unit:

12-2865-01 75' Interconnecting harness

Eclipse 600, 800, 1000 Service Parts

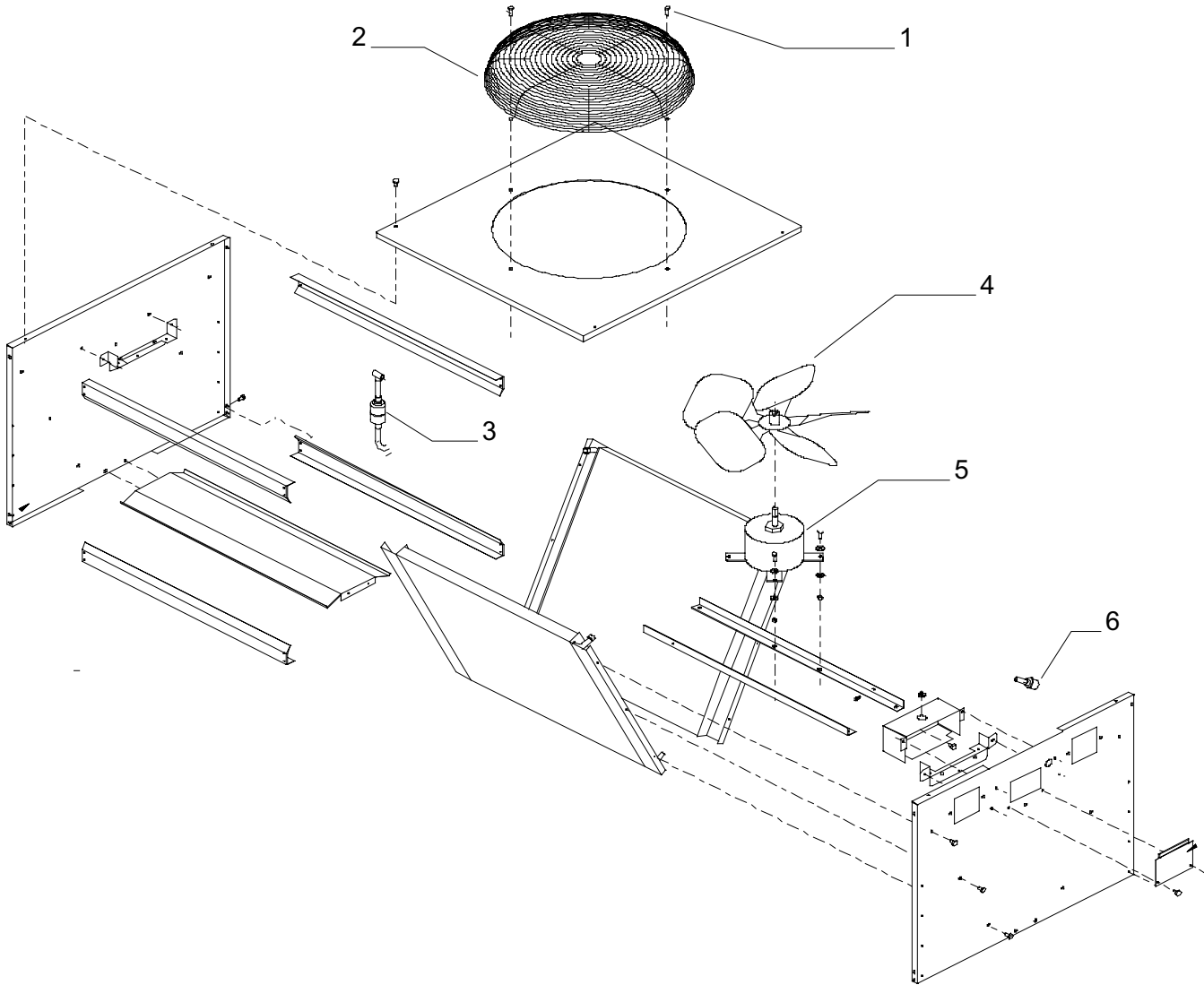
CP686, CP886 and CP1086 Control Box



| Item Number | Part Number | Description |
|-------------|-------------|----------------------------|
| 1 | 12-0426-01 | Toggle switch |
| 2 | 12-1213-20 | Snap bushing |
| 3 | 12-2469-01 | Single phase contactor |
| 4 | 18-1903-33 | Potential relay for CP686 |
| | 18-1903-33 | Potential relay for CP886 |
| | 18-1903-46 | Potential relay for CP1086 |
| 5 | 18-1902-45 | Run capacitor for CP686 |
| | 18-1902-53 | Run capacitor for CP886 |
| | 18-1902-55 | Run capacitor for CP1086 |
| 6 | 18-1901-54 | Start capacitor for CP686 |
| | 18-1901-15 | Start capacitor for CP886 |
| | 18-1901-48 | Start capacitor for CP1086 |
| 7 | 12-2533-01 | Three phase contactor |

Eclipse 600, 800, 1000 Service Parts

Remote Condensers



Models ERC680, ERC1086

| Item Number | Part Number | Description |
|-------------|-------------|--------------------------|
| 1 | 03-1405-08 | Screw |
| 2 | 02-3575-01 | Fan guard |
| 3 | 02-3231-03 | Filter |
| 4 | 18-8816-01 | Fan blade |
| 5 | 12-2651-01 | Fan motor |
| 6 | 16-1057-04 | Quick connect, discharge |
| | 16-1057-03 | Quick connect, liquid |

Not Shown:

| | |
|------------|----------------|
| A37169-001 | Leg |
| A37170-001 | Leg brace |
| 03-1645-01 | Screw for legs |

Model ER2C6810 (two circuit condenser)

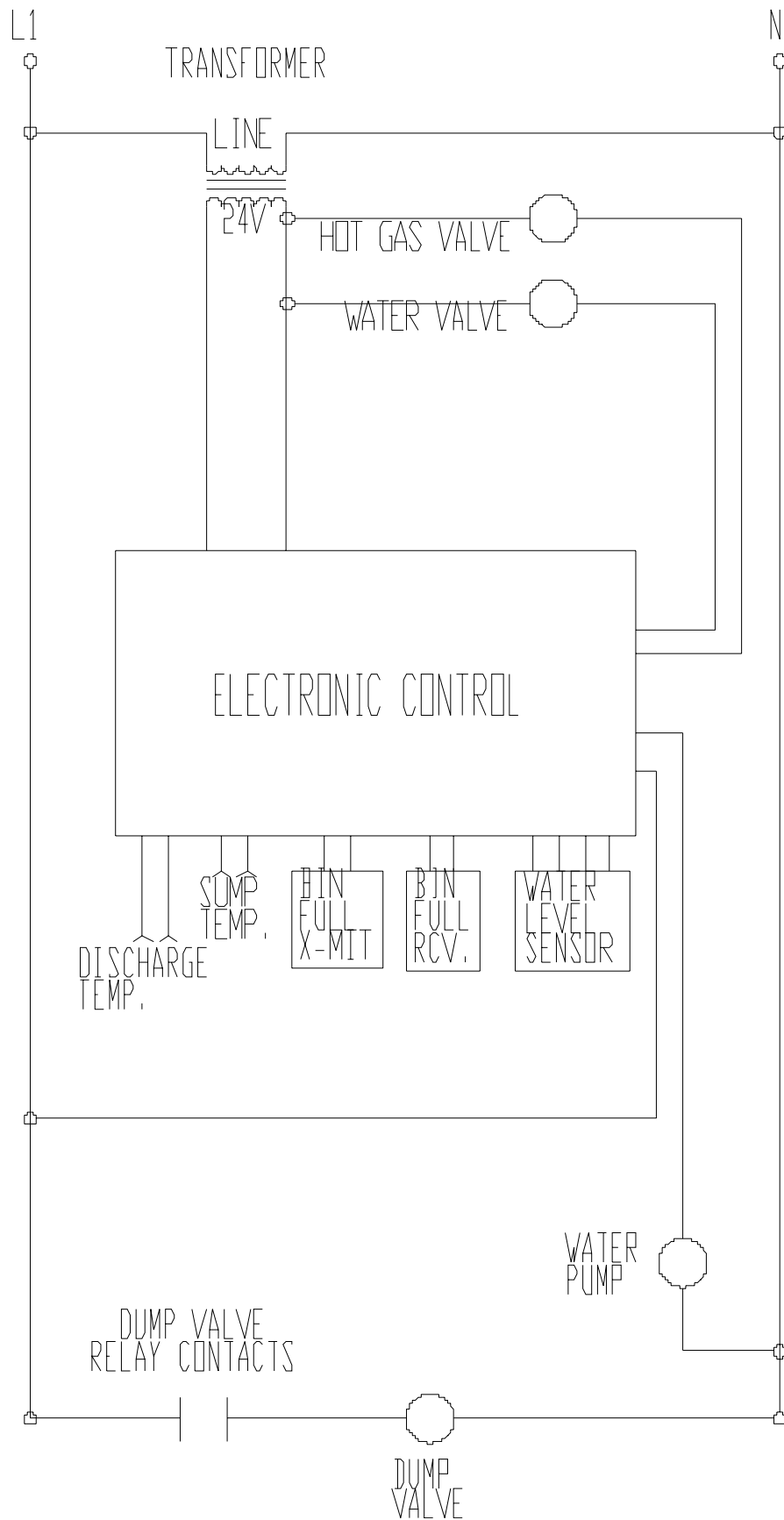
| Item Number | Part Number | Description |
|-------------|-------------|--------------------------|
| 1 | 03-1405-08 | Screw |
| 2 | 02-3770-01 | Fan guard |
| 3 | 02-3231-03 | Filter |
| 4 | 18-8820-01 | Fan blade |
| 5 | 12-2717-01 | Fan motor |
| 6 | 16-1057-04 | Quick connect, discharge |
| | 16-1057-03 | Quick connect, liquid |

Not Shown:

| | |
|------------|----------------|
| A37169-001 | Leg |
| A37296-001 | Leg brace |
| 03-1645-01 | Screw for legs |

Eclipse 600, 800, 1000 Service Parts

CME686 and CME810 Schematic Diagram

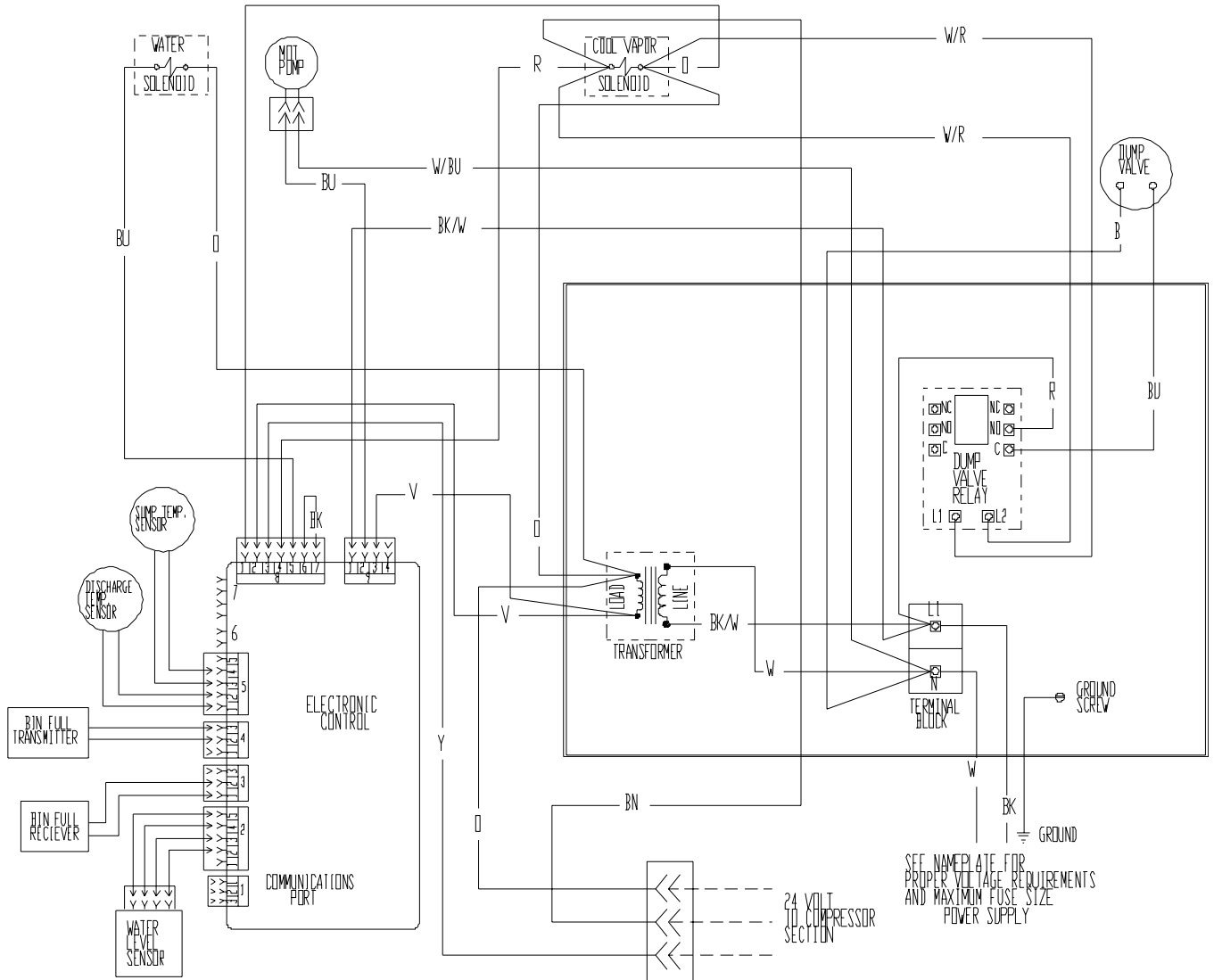


Eclipse 600, 800, 1000 Service Parts

CME686 and CME810 Wiring Diagram

17-2890-01

USE COPPER CONDUCTORS ONLY



THIS UNIT MUST BE GROUNDED.

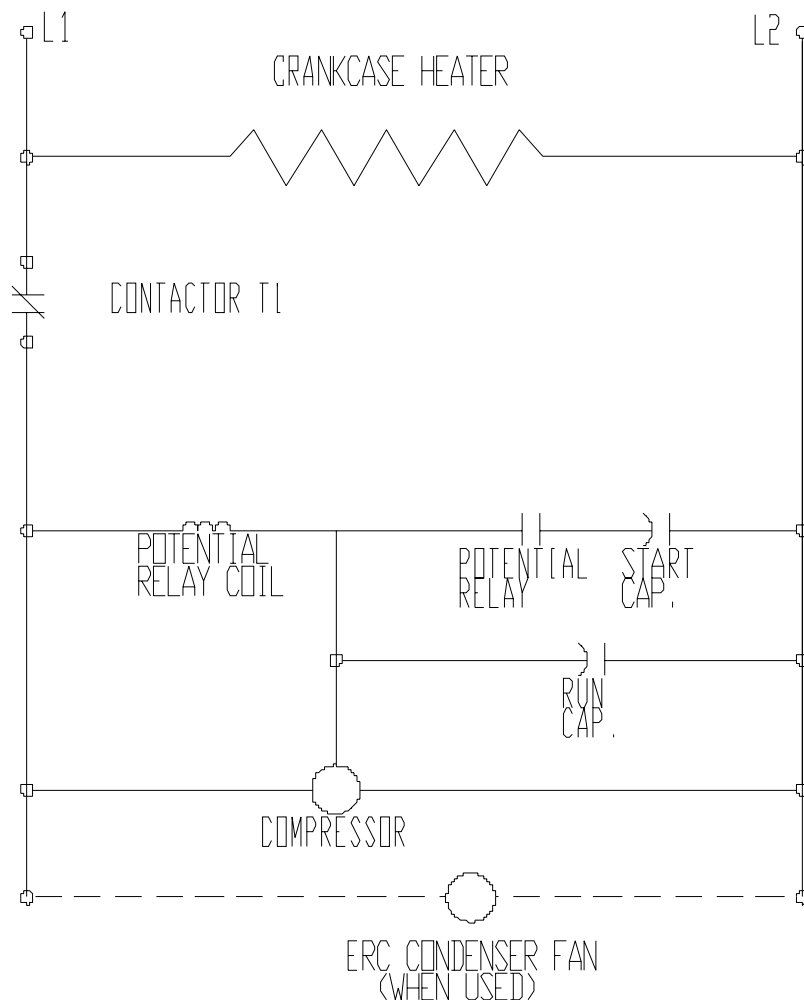
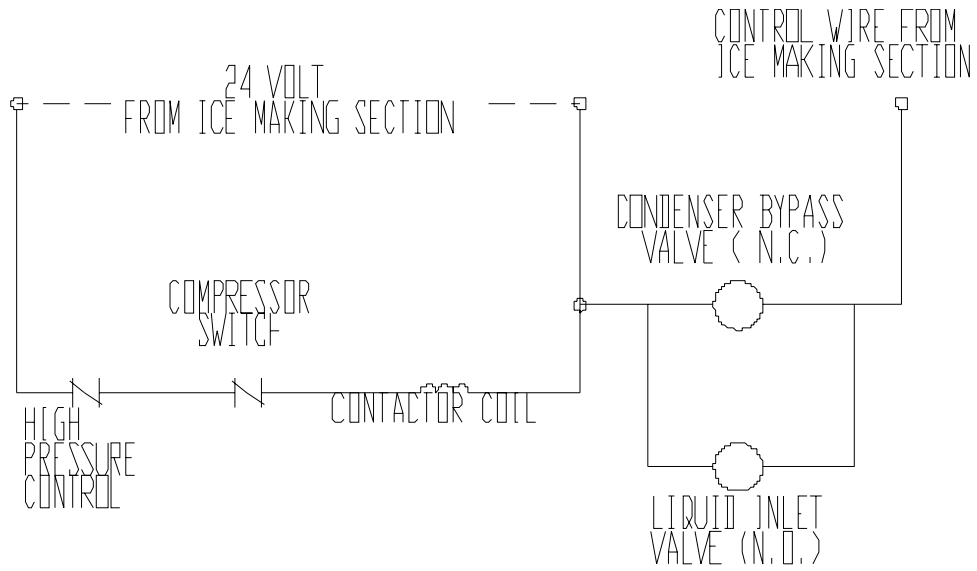
CAUTION:

MORE THAN ONE DISCONNECT MEANS MAY BE REQUIRED TO DISCONNECT ALL POWER TO THIS UNIT.

⚠ DASHED LINES INDICATE FIELD WIRING WHICH MUST BE INSTALLED IN ACCORDANCE WITH THE NATIONAL ELECTRICAL CODE AND ALL STATE AND LOCAL CODES.

Eclipse 600, 800, 1000 Service Parts

CP686, CP886 and CP1086 Single Phase Schematic Diagram

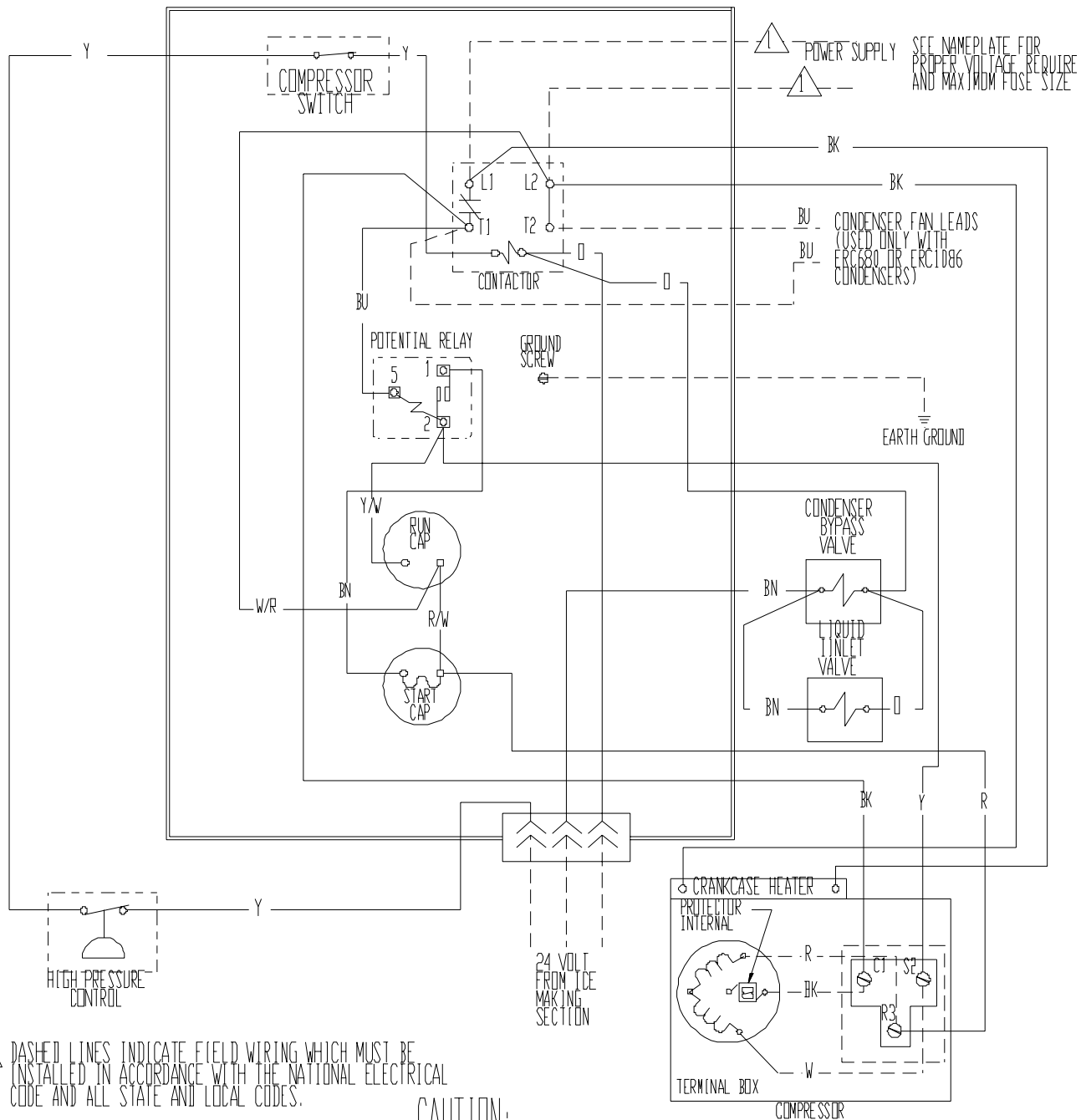


Eclipse 600, 800, 1000 Service Parts

CP686, CP886 and CP1086 Single Phase Wiring Diagram

17-2877-01

USE COPPER CONDUCTORS ONLY



△ DASHED LINES INDICATE FIELD WIRING WHICH MUST BE INSTALLED IN ACCORDANCE WITH THE NATIONAL ELECTRICAL CODE AND ALL STATE AND LOCAL CODES.

CAUTION:

MORE THAN ONE DISCONNECT MEANS MAY BE REQUIRED TO DISCONNECT ALL POWER TO THIS UNIT.

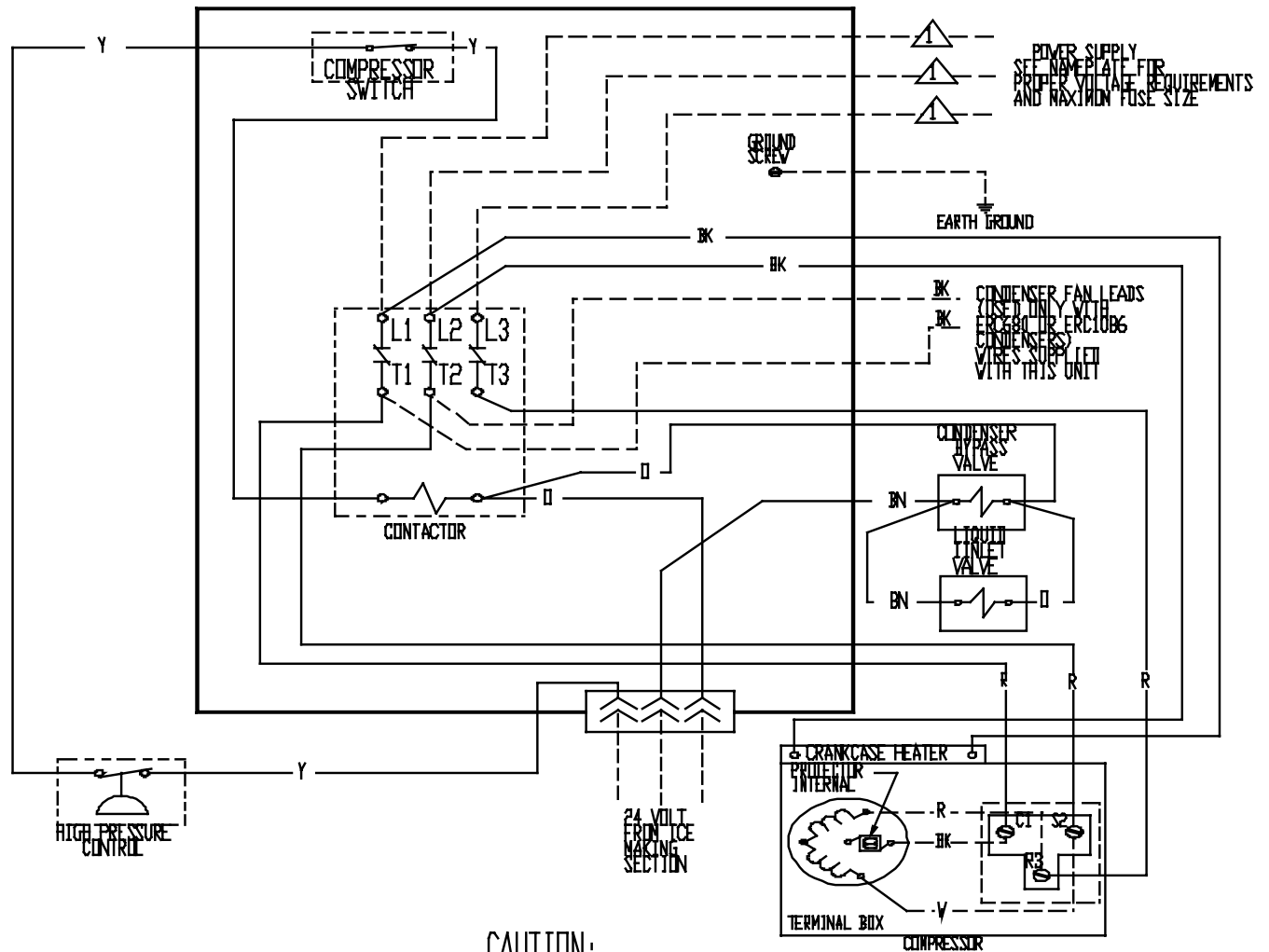
THIS UNIT MUST BE GROUNDED.

Eclipse 600, 800, 1000 Service Parts

CP686, CP886 and CP1086 Three Phase Wiring Diagram

17-2878-01

USE COPPER CONDUCTORS ONLY



THIS UNIT MUST
BE GROUNDED.

CAUTION:
MORE THAN ONE DISCONNECT MEANS MAY BE
REQUIRED TO DISCONNECT ALL POWER TO THIS UNIT.

⚠ DASHED LINES INDICATE FIELD WIRING WHICH MUST BE
INSTALLED IN ACCORDANCE WITH THE NATIONAL ELECTRICAL
CODE AND ALL STATE AND LOCAL CODES.

Eclipse 600, 800, 1000 Service Parts

CP686, CP886 and CP1086 Three Phase Schematic Diagram

