

# Eclipse 600, 800, 1000 Service Parts

This part list contains the service parts for the Eclipse 600, 800 and 1000 systems.

The models that are covered include:

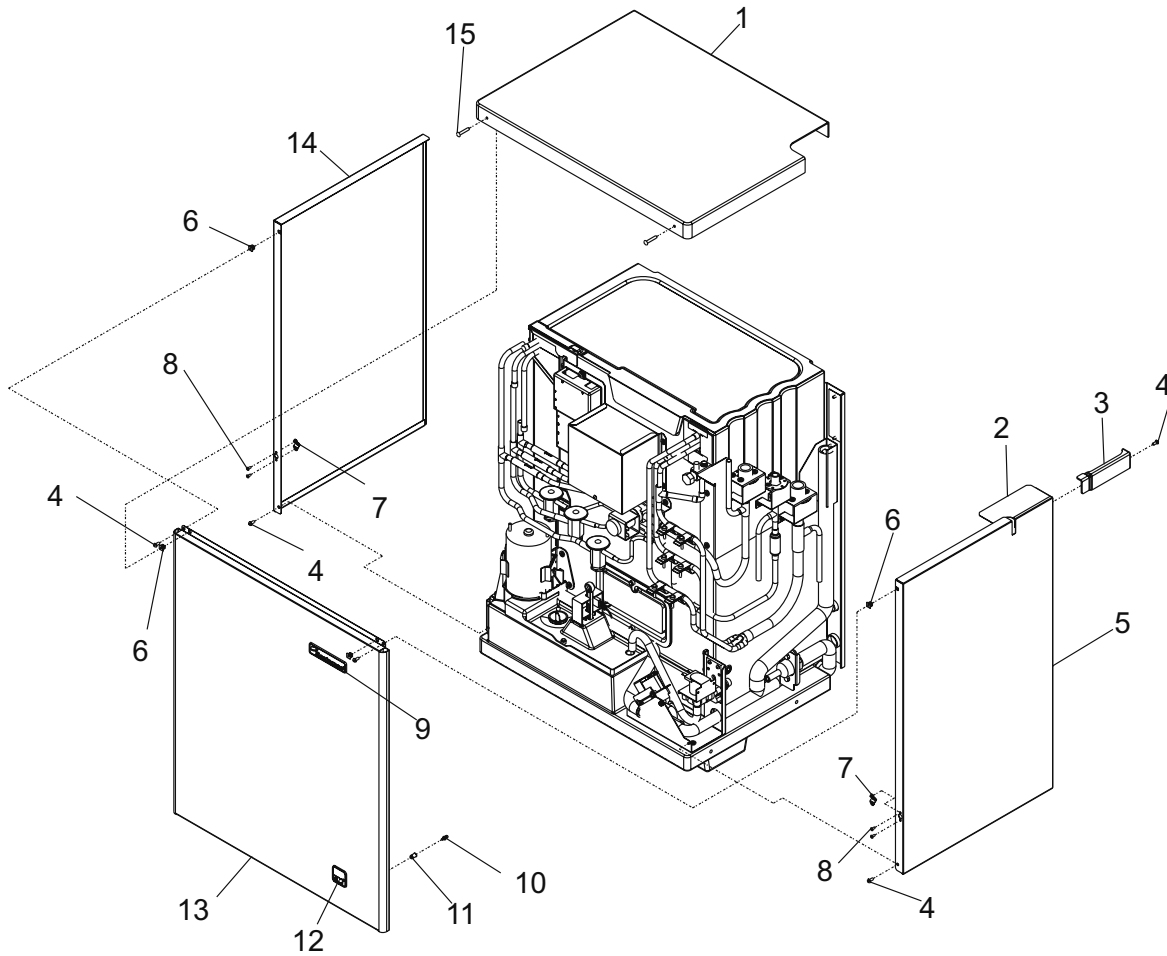
- CME686
- CME810
- CP686
- CP886
- CP1086
- ERC680
- ERC1086
- ER2C6810

## Table of Contents

CME686 and CME810 Cabinet . . . . .	Page 2
CME686 and CME810 Interior Parts . . . . .	Page 3
CME686 and CME810 Water and Control Systems . . . . .	Page 4
CME686 and CME810 Water Valves & Sensor . . . . .	Page 5
CME686 and CME810 Refrigeration . . . . .	Page 6
CME686 and CME810 Electrical . . . . .	Page 7
CP686, CP886 and CP1086 Cabinet . . . . .	Page 8
CP686, CP886 and CP1086 Refrigeration Systems . . . . .	Page 9
Compressors . . . . .	Page 10
CP686, CP886 and CP1086 Control Box . . . . .	Page 11
Remote Condensers . . . . .	Page 12
CME686 and CME810 Schematic Diagram . . . . .	Page 13
CME686 and CME810 Wiring Diagram . . . . .	Page 14
CP686, CP886 and CP1086 Single Phase Schematic Diagram . . . . .	Page 15
CP686, CP886 and CP1086 Single Phase Wiring Diagram . . . . .	Page 16
CP686, CP886 and CP1086 Three Phase Wiring Diagram . . . . .	Page 17
CP686, CP886 and CP1086 Three Phase Schematic Diagram . . . . .	Page 18

# Eclipse 600, 800, 1000 Service Parts

## CME686 and CME810 Cabinet

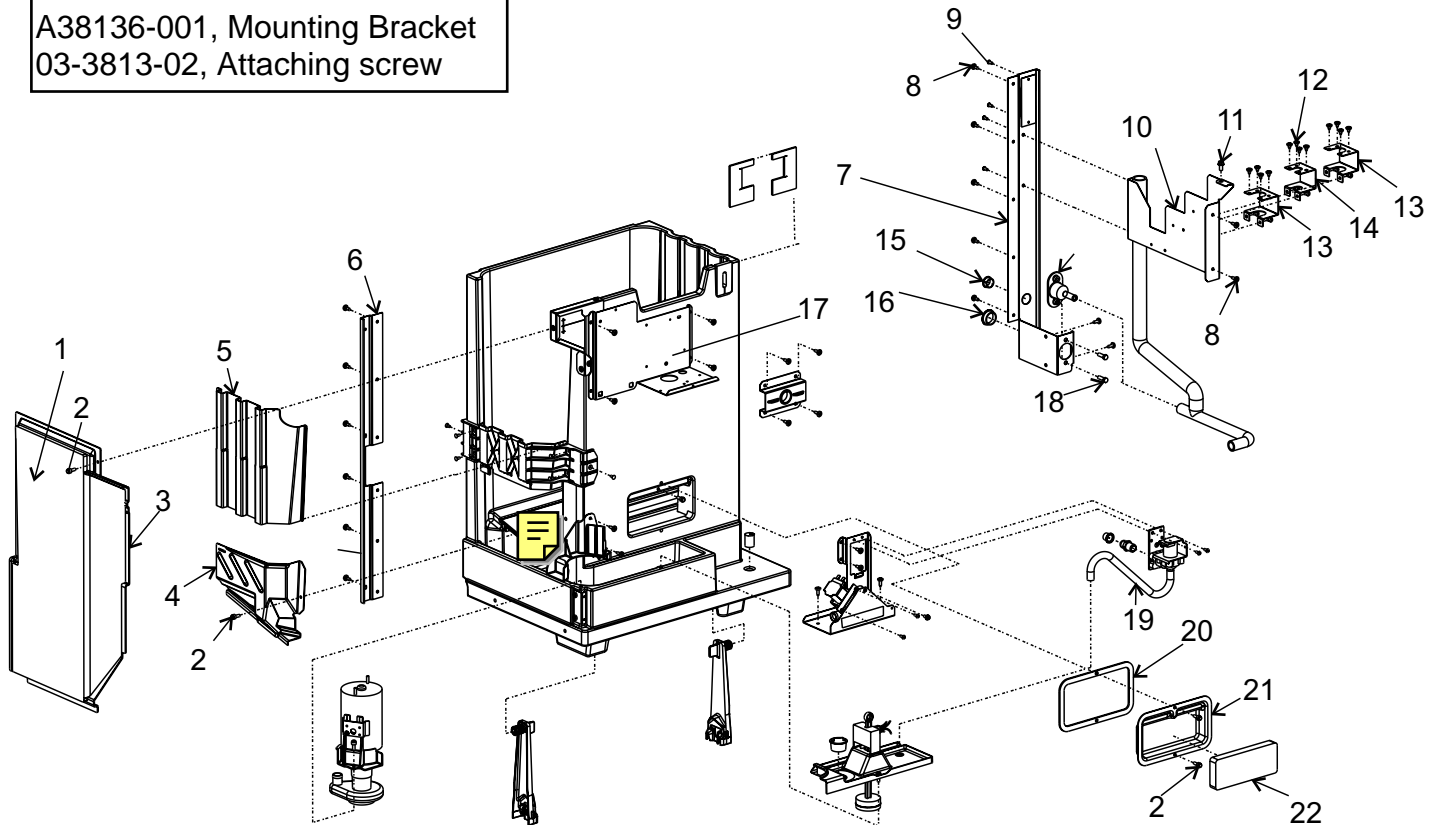


Item Number	Part Number	Description
1	02-3894-01	Top panel
2	A38101-001	Cover plate
3	02-3894-03	Plastic edge
4	03-1531-01	Screw
5	A37940-022	Right side panel
6	03-3804-01	Speed nut
7	03-1733-02	Catch
8	no number	Rivet
9	15-0809-01	Emblem
10	03-1733-01	Strike
11	03-1734-01	Insert
12	15-0811-01	Emblem, CM3
13	A37944-020	Front panel
14	A37940-021	Left side panel
15	03-1735-01	Screw

# Eclipse 600, 800, 1000 Service Parts

## CME686 and CME810 Interior Parts

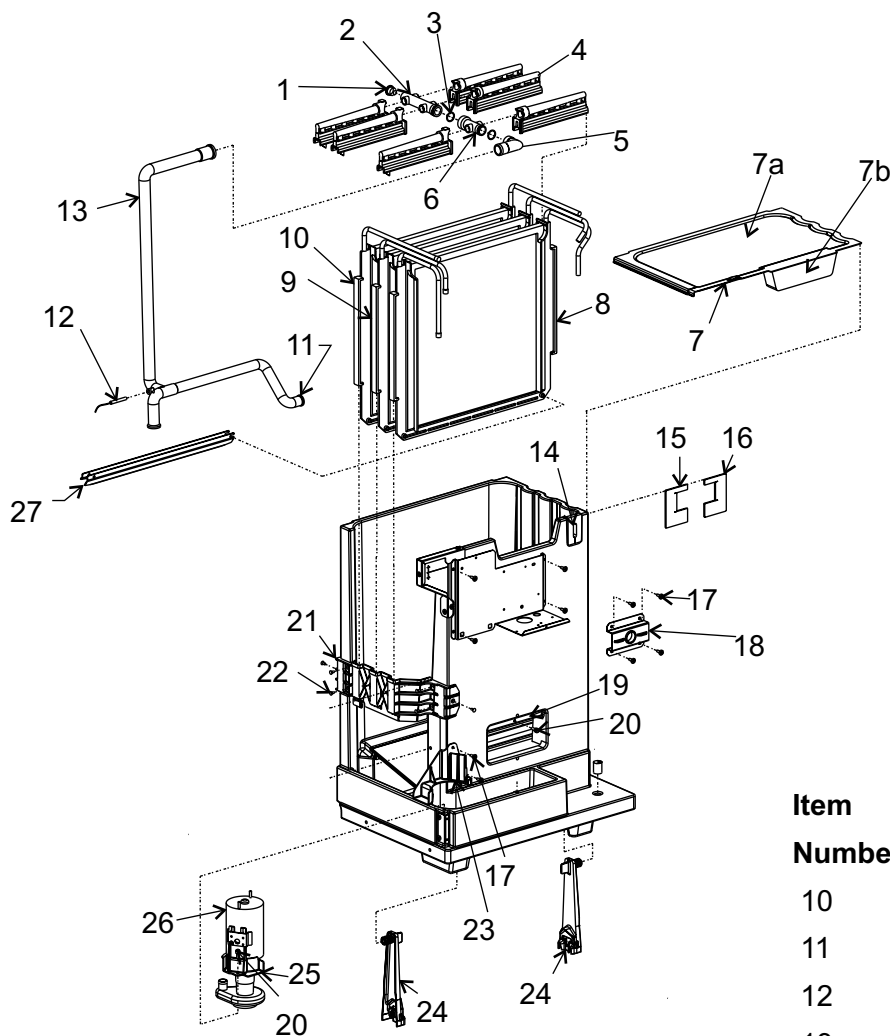
A38136-001, Mounting Bracket  
03-3813-02, Attaching screw



Item Number	Part Number	Description	Item Number	Part Number	Description
1	02-3896-04	Insulation for item 3	14	A37966-002	Bracket
2	03-1691-01	Nylon screw	15	12-1213-10	Snap bushing
3	02-3893-01	Inner side panel	16	02-1875-13	Hole plug
4	02-3884-01	End deflector	17	A37923-001	Control bracket
5	02-3882-01	Top end cover		A37924-001	Cover for item 17
6	A37927-001	Back Channel	18	03-0571-01	Screw
7	A37925-001	Back panel	19	02-3886-01	Inlet tube
8	03-1404-18	Screw	20	02-3896-01	Seal
9	03-1531-01	Screw	21	02-3883-01	Cover
10	A37965-001	Bracket	22	02-3896-02	Insulation for item 21
11	03-1645-01	Screw			
12	03-1404-15	Screw			
13	A37966-001	Bracket			

# Eclipse 600, 800, 1000 Service Parts

## CME686 and CME810 Water and Control Systems

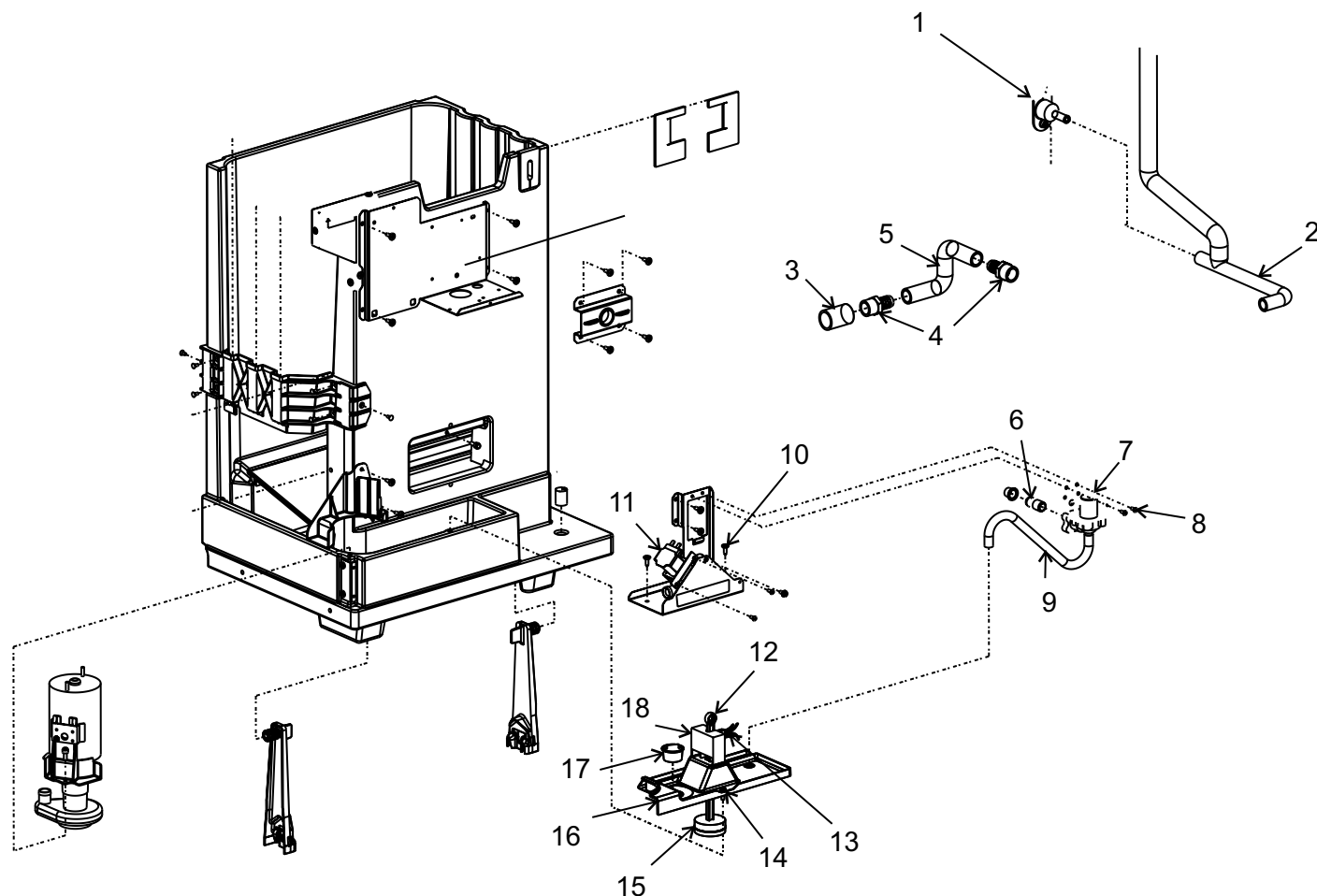


Item Number	Part Number	Description
1	13-0840-01	Rubber plug
2	02-3518-01	Manifold
3	13-0617-01	O-ring
4	02-2527-01	Distributor
5	02-3613-01	Elbow
6	02-3519-01	Manifold fitting -
7	02-3912-01	Cover
7a	02-3896-06	Insulation for item 7
7b	02-3896-03	Insulation for item 7
8	A38010-001	Front evap.
9	A38010-002	Middle evap

Item Number	Part Number	Description
10	A38010-003	Back evaporator
11	02-2814-09	Hose clamp
12	11-0545-21	Temp sensor set
13	02-3888-01	Pump hose
14	02-3779-01	Grommet
15	02-3779-02	Seal
16	02-3779-03	Seal
17	03-1404-18	Screw
18	A37968-001	Valve bracket
19	02-3899-01	Cascading shield
20	03-1691-01	Nylon thumb screw
21	02-3892-01	Evaporator support
22	03-1418-30	Screw
23	02-3891-01	Back pump bracket
24	11-0540-22	Ice sensor set
25	02-3890-01	Front pump bracket
26	12-2714-22	Water pump, 115/60/1
27	02-3824-01	Water trough

# Eclipse 600, 800, 1000 Service Parts

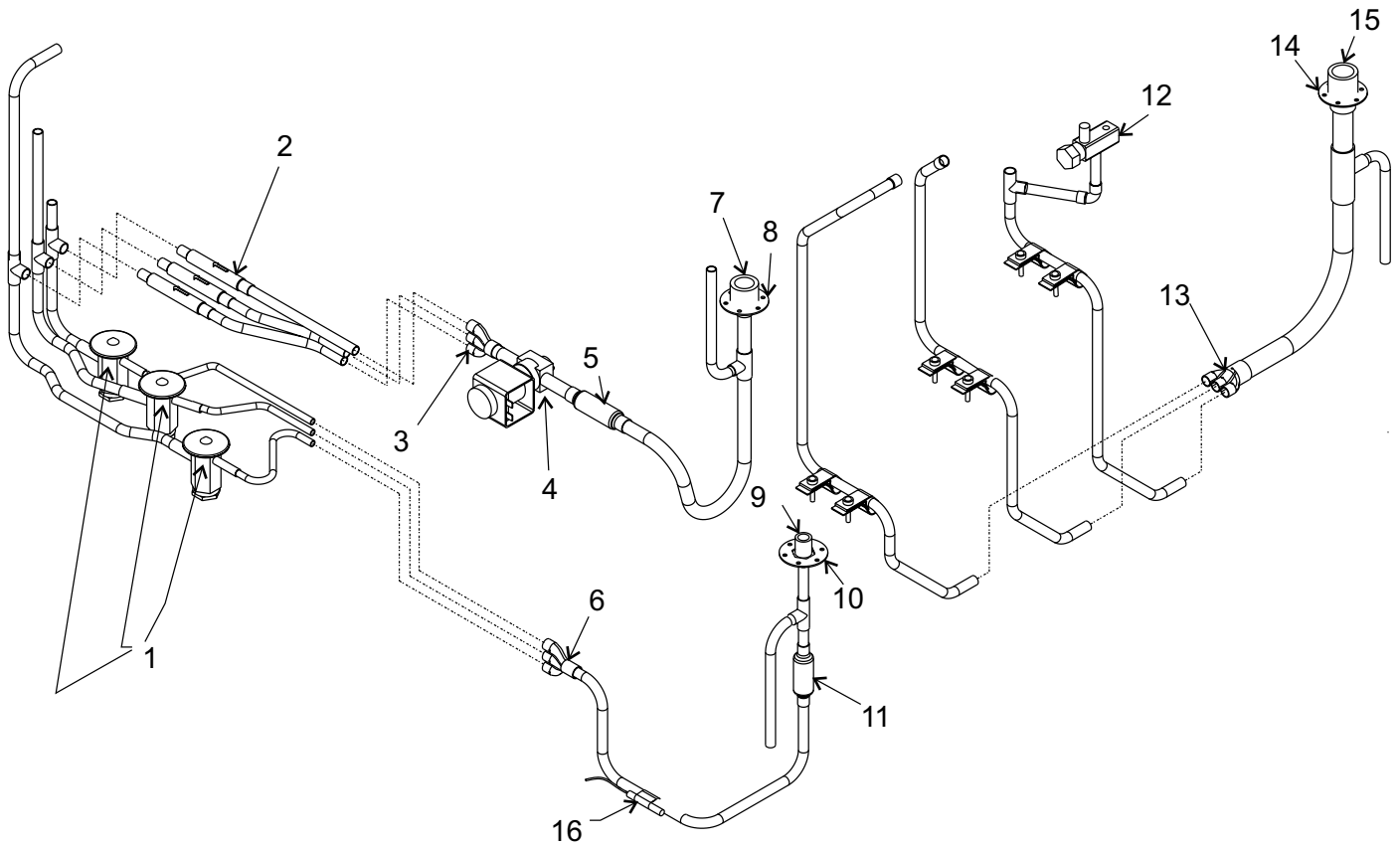
## CME686 and CME810 Water Valves & Sensor



Item Number	Part Number	Description	Item Number	Part Number	Description
1	02-3692-21	Drain fitting	12	02-3777-02	Float stem for CME686
2	02-3887-01	Drain tube		02-3777-04	Float stem for CME810
3	16-1099-02	PVC adapter, 3/4 Female	13	12-2665-01	Harness for sensor
4	16-1099-01	Barbed adapter	14	03-1691-01	Nylon thumb screw
5	02-3914-01	Drain tube for left	15	02-3341-01	Float
	02-3914-02	Drain tube for right	16	02-3889-01	Sump cover
6	16-0355-00	Coupling half	17	02-3703-01	Plug
7	12-2548-01	Inlet water solenoid valve	18	11-0539-21	Water level sensor
8	03-1531-01	Screw			
9	02-3886-01	Inlet tube			
10	03-1404-18	Screw			
11	11-0514-02	Purge valve			

# Eclipse 600, 800, 1000 Service Parts

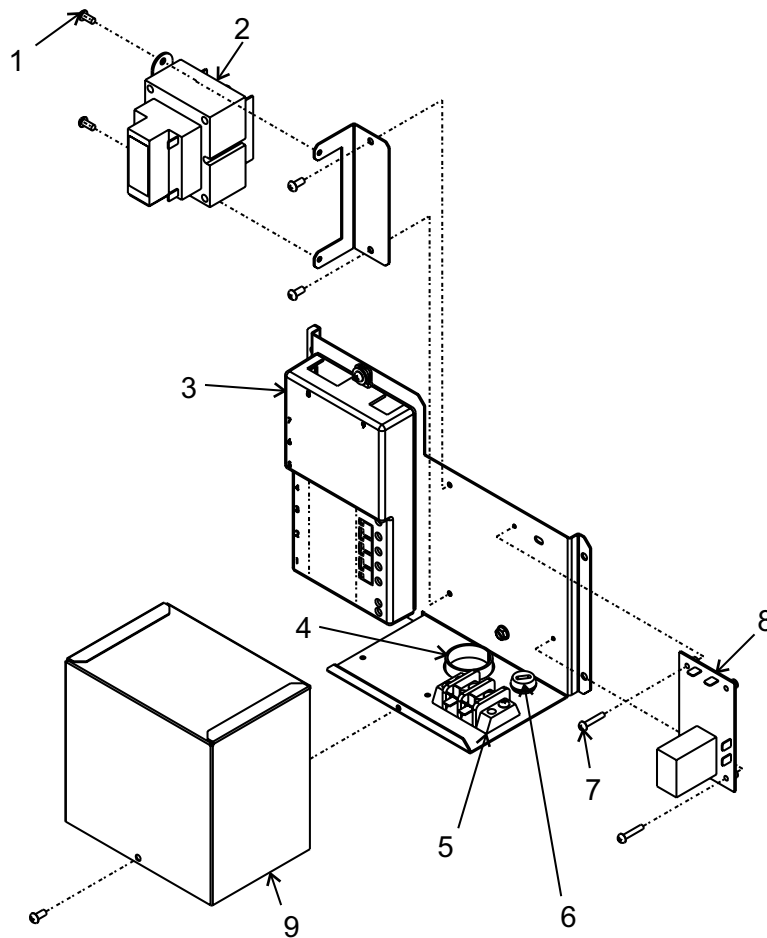
## CME686 and CME810 Refrigeration



Item Number	Part Number	Description	Item Number	Part Number	Description
1	16-1009-22	Thermo Expansion Valve	11	16-1063-01	Strainer
	02-3792-01	Insulation for item 1	12	16-0832-20	Access valve
2	16-1071-01	Check valve	13	16-1047-02	Manifold,
3	16-1047-04	Manifold	14	16-0701-18	Flange
4	12-2471-22	CME686 vapor inlet valve	15	16-0850-04	Suction connection
	11-0507-03	CME810 Vapor inlet valve	16	11-0545-21	Temp sensor set
5	16-1063-03	Strainer		03-1711-01	Sensor clip
6	16-1047-03	Manifold			
7	16-0850-01	Vapor connection			
8	16-0701-14	Flange			
9	16-0850-03	Liquid connection			
10	16-0701-07	Flange			

# Eclipse 600, 800, 1000 Service Parts

## CME686 and CME810 Electrical



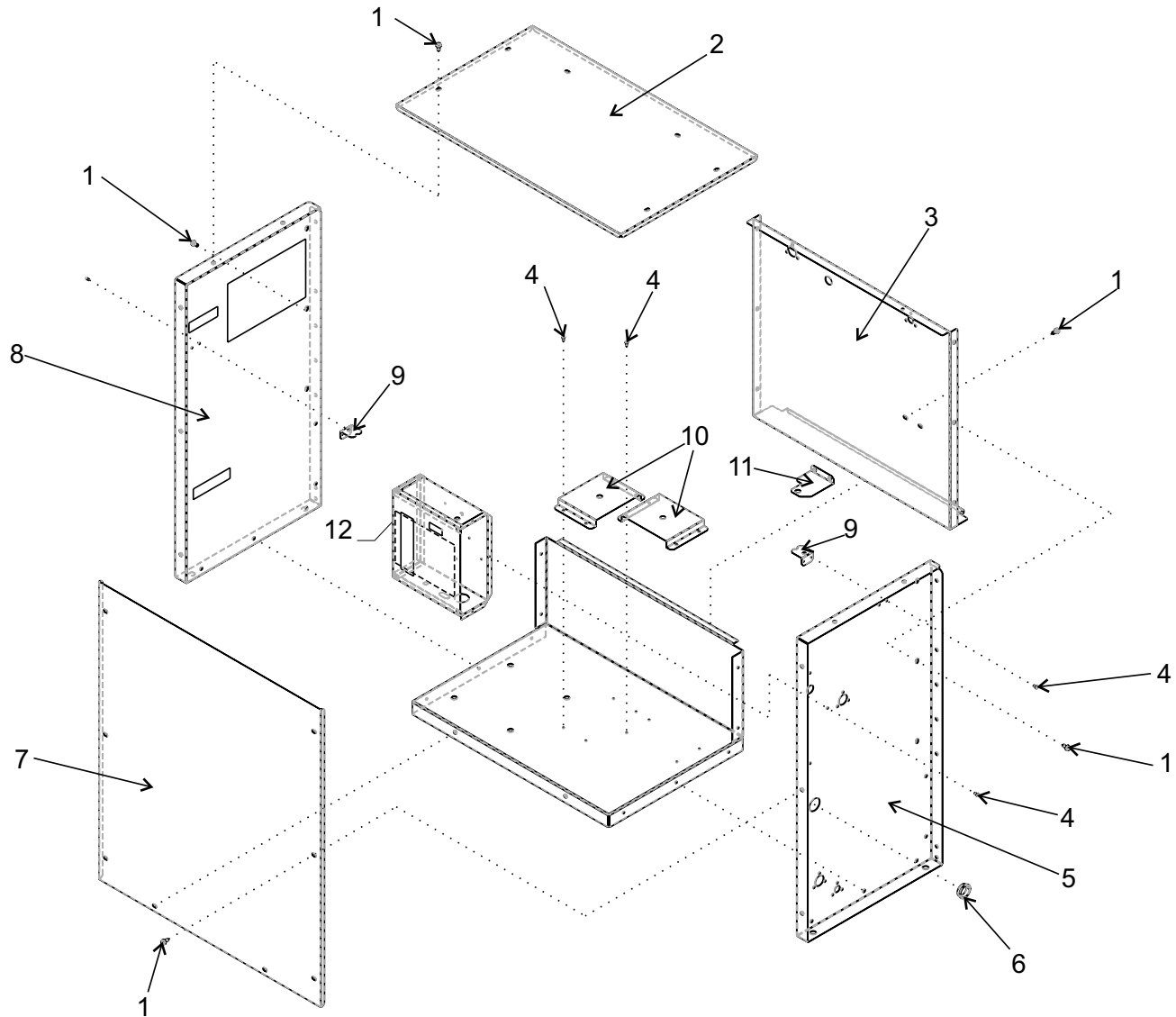
Item Number	Part Number	Description
1	03-1531-01	Screw
2	12-2860-01	Transformer
3	12-2838-21	Controller
4	12-1213-10	Snap bushing
5	12-2780-01	Terminal block
6	12-0629-08	Strain relief
7	03-1638-01	Screw
8	11-0531-21	Drain valve timer
9	A37924-001	Control box cover

Not illustrated:

10	12-1638-19	Power cord
11	12-2855-01	Hi voltage harness
12	12-2854-01	Lo voltage harness

# Eclipse 600, 800, 1000 Service Parts

## CP686, CP886 and CP1086 Cabinet

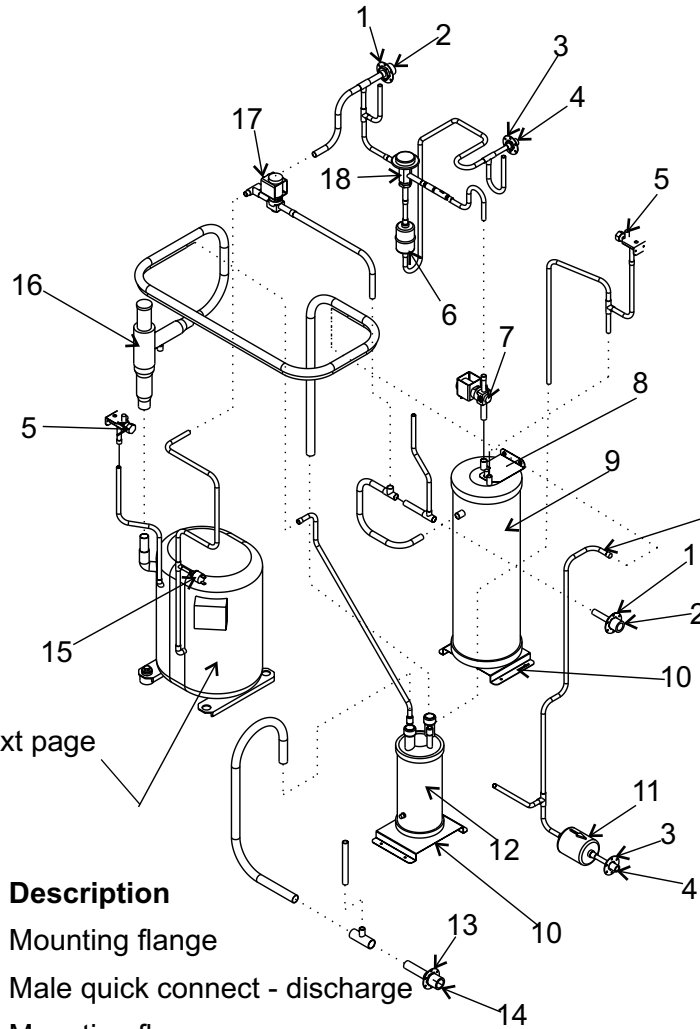


Item Number	Part Number	Description	Item Number	Part Number	Description
1	02-1645-01	Screw	10	A37948-001	Receiver or accumulator bracket
2	A37853-001	Top cover	11	A37949-001	Receiver top bracket
3	A37845-001	Back panel	12	A37826-001	Control box cover
4	03-1531-01	Screw			
5	A37829-001	Right side panel			
6	12-1213-20	Snap bushing			
7	A37896-001	Front cover			
8	A37829-002	Left side panel			
9	A37962-001	Service valve bracket			



# Eclipse 600, 800, 1000 Service Parts

## CP686, CP886 and CP1086 Refrigeration Systems



Compressor - see next page

Item Number	Part Number	Description
1	16-0701-14	Mounting flange
2	16-0850-01	Male quick connect - discharge
3	16-0701-07	Mounting flange
4	16-0850-03	Male quick connect - liquid
5	16-0832-20	Access valve
6	02-3231-02	Filter
7	11-0546-21	Liquid inlet valve (N.O.)
8	A37949-001	Top bracket
9	16-1085-01	Receiver
10	A37948-001	Bottom bracket
11	02-3319-02	Filter dryer
12	16-0801-22	Suction accumulator
13	16-0701-18	Mounting flange
14	16-0850-04	Male quick connect - suction
15	11-0501-22	Hi press cut out
16	16-1096-01	CPR valve
17	11-0507-23	By pass solenoid valve
18	16-1044-01	Headmaster

# Eclipse 600, 800, 1000 Service Parts

## Compressors

Compressor - see table below

CP Model	Phase	Part Number
CP686-32	single	18-8768-22
CP686-2	three	18-8768-24
CP886-32	single	18-8726-23
CP886-3	three	18-8726-25
CP1086-32	single	18-8750-22
CP1086-3	three	18-8750-24

All compressors are 208-230 volt, 60 Hz.

Single phase compressors include starting components.

All include a drier.

18-8726 & 18-8750 types include crankcase heaters

18-2308-01 Crankcase heater for 18-8726 and 18-8750 type

18-1868-02 Crankcase heater for 18-8768 type

Mounting parts for 18-8726 and 18-8750 type compressors:

18-2300-27 Mounting grommet

18-2300-26 Sleeve

03-1406-07 Washer

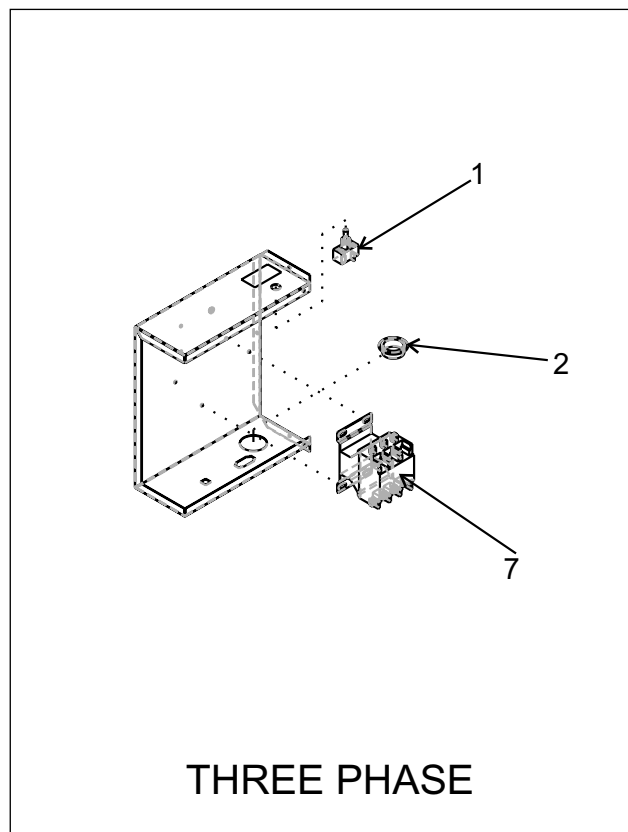
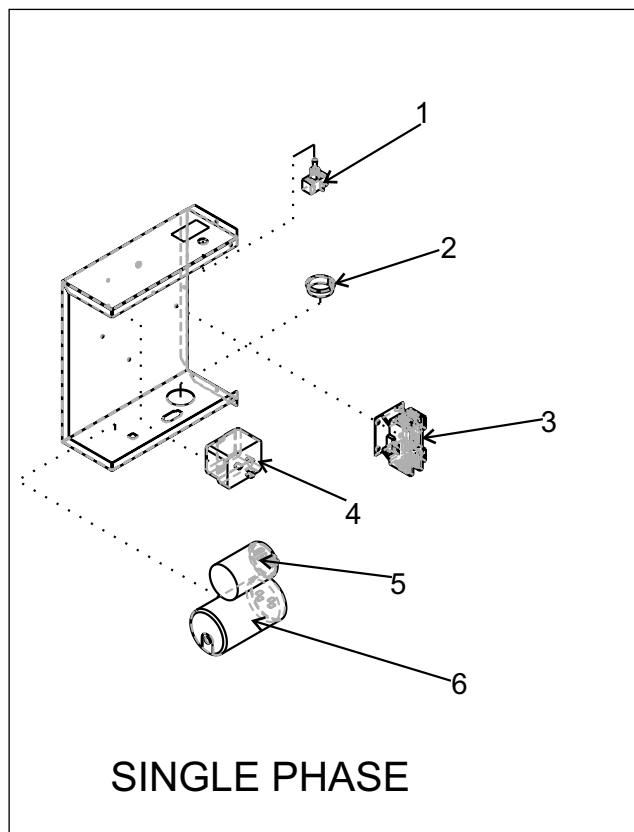
03-1404-15 Cap screw

Parts Shipped in CP unit:

12-2865-01 75' Interconnecting harness

# Eclipse 600, 800, 1000 Service Parts

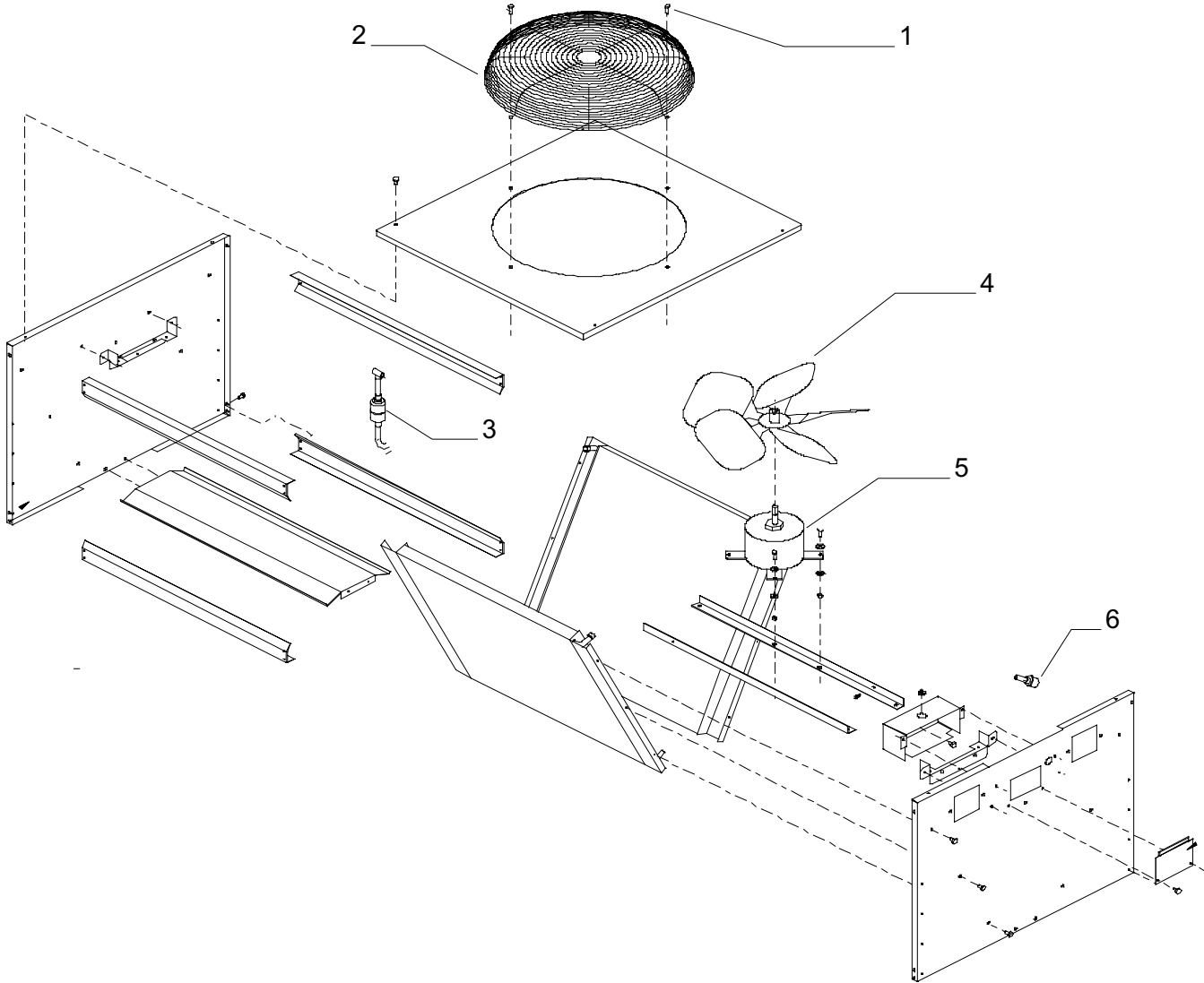
## CP686, CP886 and CP1086 Control Box



Item Number	Part Number	Description
1	12-0426-01	Toggle switch
2	12-1213-20	Snap bushing
3	12-2469-01	Single phase contactor
4	18-1903-33	Potential relay for CP686
	18-1903-33	Potential relay for CP886
	18-1903-46	Potential relay for CP1086
5	18-1902-45	Run capacitor for CP686
	18-1902-53	Run capacitor for CP886
	18-1902-55	Run capacitor for CP1086
6	18-1901-54	Start capacitor for CP686
	18-1901-15	Start capacitor for CP886
	18-1901-48	Start capacitor for CP1086
7	12-2533-01	Three phase contactor

# Eclipse 600, 800, 1000 Service Parts

## Remote Condensers



### Models ERC680, ERC1086

Item Number	Part Number	Description
1	03-1405-08	Screw
2	02-3575-01	Fan guard
3	02-3231-03	Filter
4	18-8816-01	Fan blade
5	12-2651-01	Fan motor
6	16-1057-04	Quick connect, discharge
	16-1057-03	Quick connect, liquid

#### Not Shown:

A37169-001	Leg
A37170-001	Leg brace
03-1645-01	Screw for legs

### Model ER2C6810 (two circuit condenser)

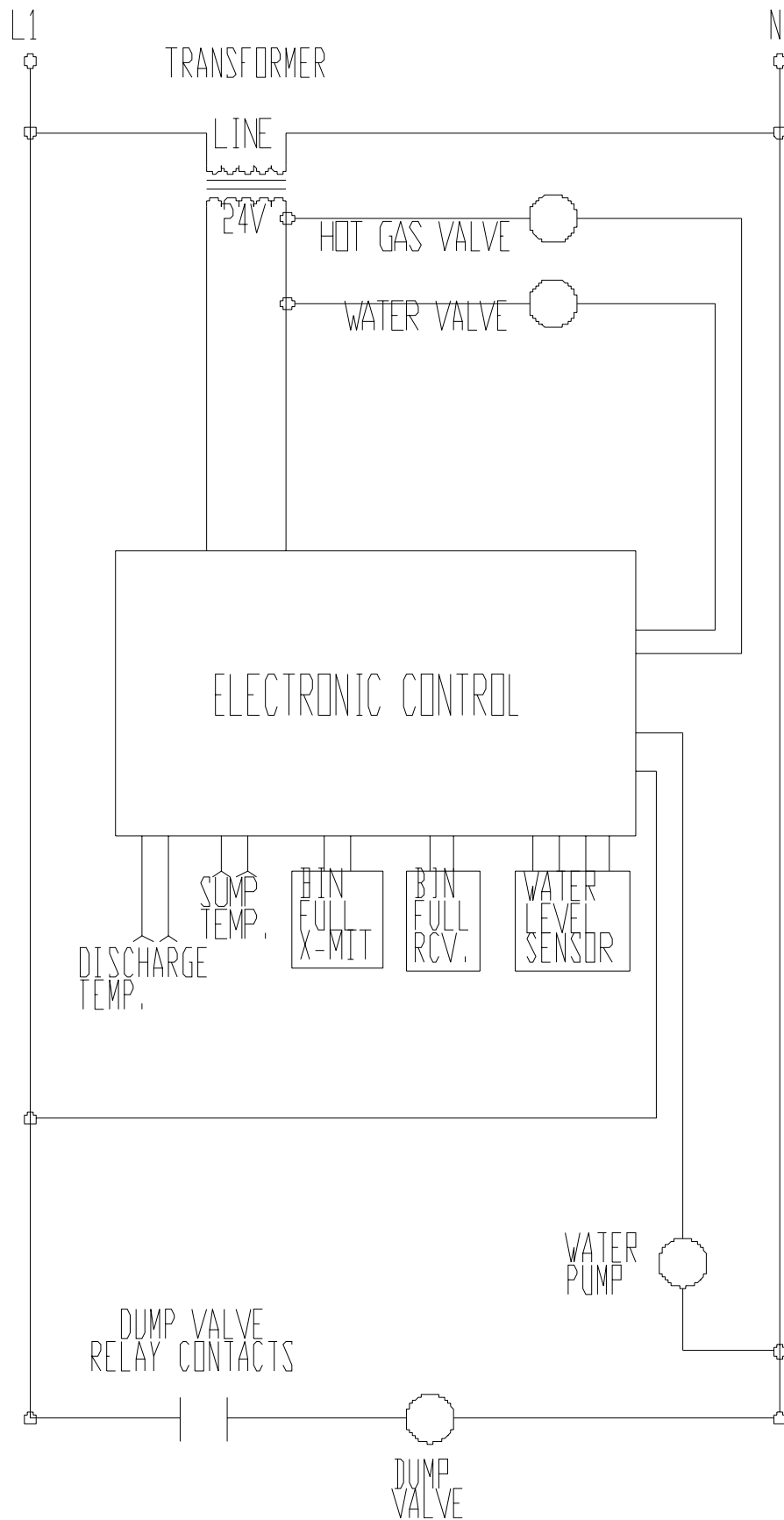
Item Number	Part Number	Description
1	03-1405-08	Screw
2	02-3770-01	Fan guard
3	02-3231-03	Filter
4	18-8820-01	Fan blade
5	12-2717-01	Fan motor
6	16-1057-04	Quick connect, discharge
	16-1057-03	Quick connect, liquid

#### Not Shown:

A37169-001	Leg
A37296-001	Leg brace
03-1645-01	Screw for legs

# Eclipse 600, 800, 1000 Service Parts

## CME686 and CME810 Schematic Diagram

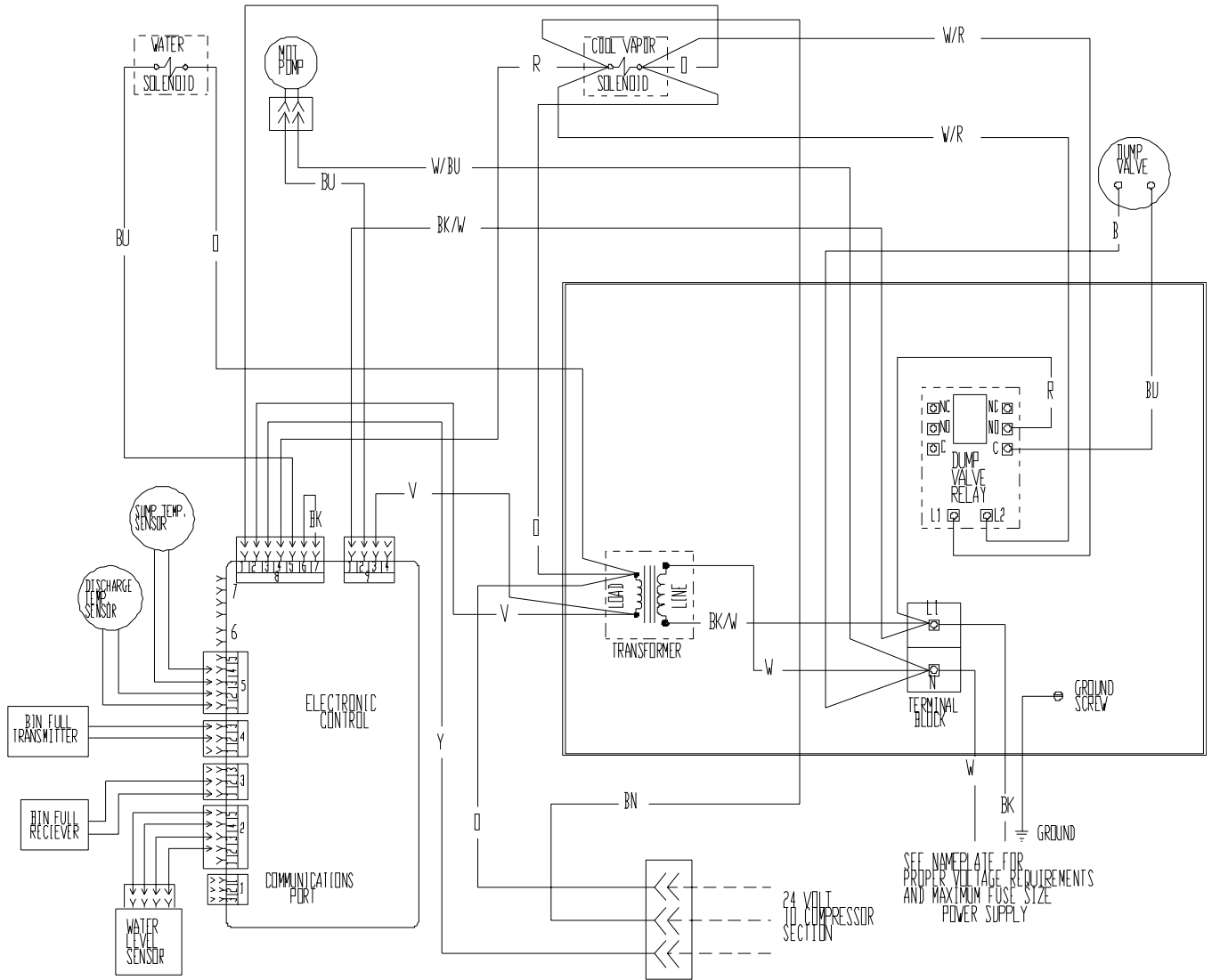


# Eclipse 600, 800, 1000 Service Parts

## CME686 and CME810 Wiring Diagram

17-2890-01

USE COPPER CONDUCTORS ONLY



CAUTION:

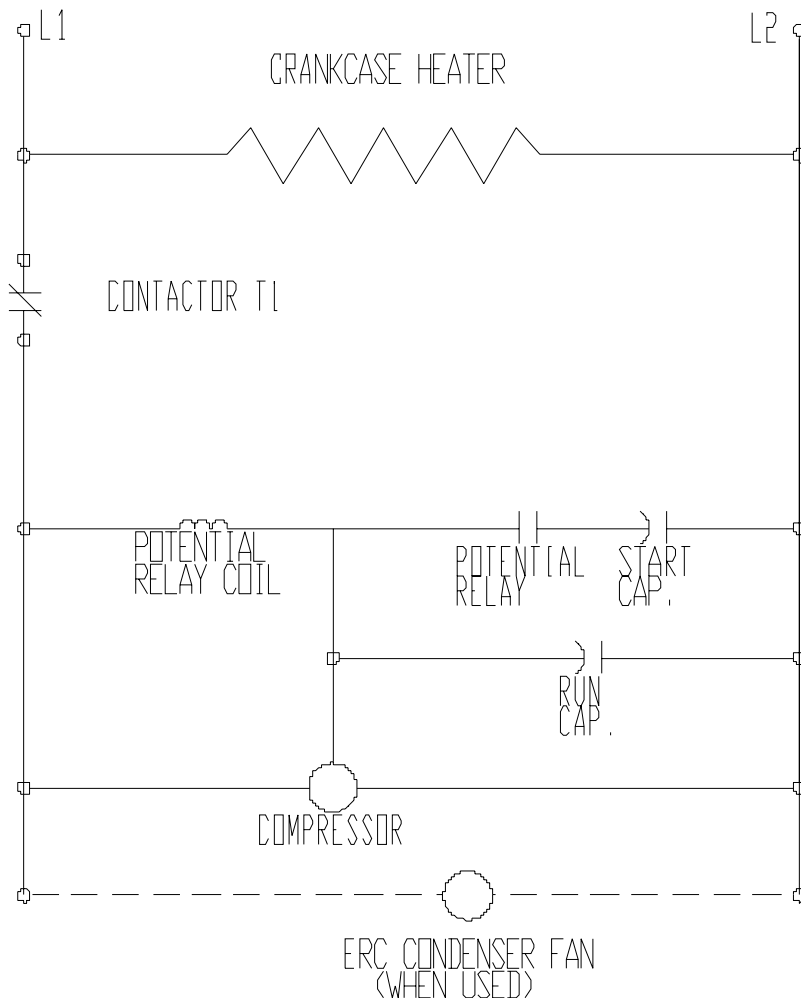
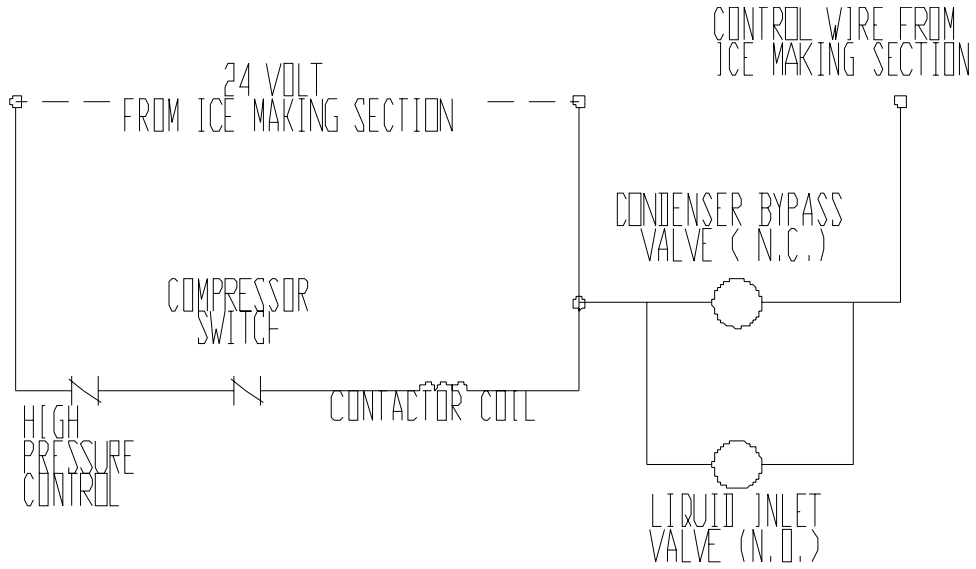
MORE THAN ONE DISCONNECT MEANS MAY BE REQUIRED TO DISCONNECT ALL POWER TO THIS UNIT.

THIS UNIT MUST BE GROUNDED.

⚠ DASHED LINES INDICATE FIELD WIRING WHICH MUST BE INSTALLED IN ACCORDANCE WITH THE NATIONAL ELECTRICAL CODE AND ALL STATE AND LOCAL CODES.

# Eclipse 600, 800, 1000 Service Parts

## CP686, CP886 and CP1086 Single Phase Schematic Diagram

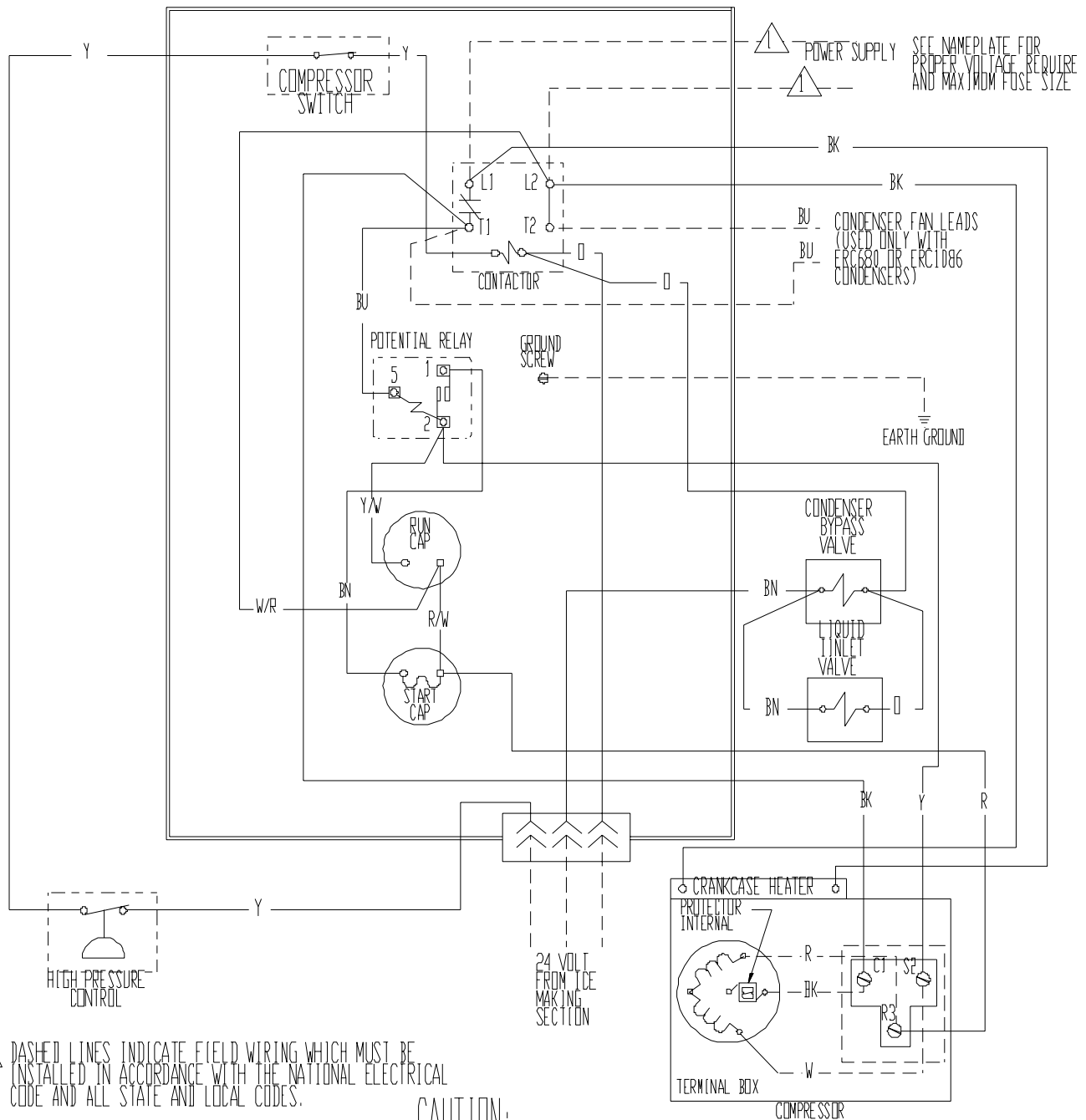


# Eclipse 600, 800, 1000 Service Parts

## CP686, CP886 and CP1086 Single Phase Wiring Diagram

17-2877-01

USE COPPER CONDUCTORS ONLY



⚠ DASHED LINES INDICATE FIELD WIRING WHICH MUST BE INSTALLED IN ACCORDANCE WITH THE NATIONAL ELECTRICAL CODE AND ALL STATE AND LOCAL CODES.

CAUTION:

MORE THAN ONE DISCONNECT MEANS MAY BE REQUIRED TO DISCONNECT ALL POWER TO THIS UNIT.

THIS UNIT MUST BE GROUNDED.

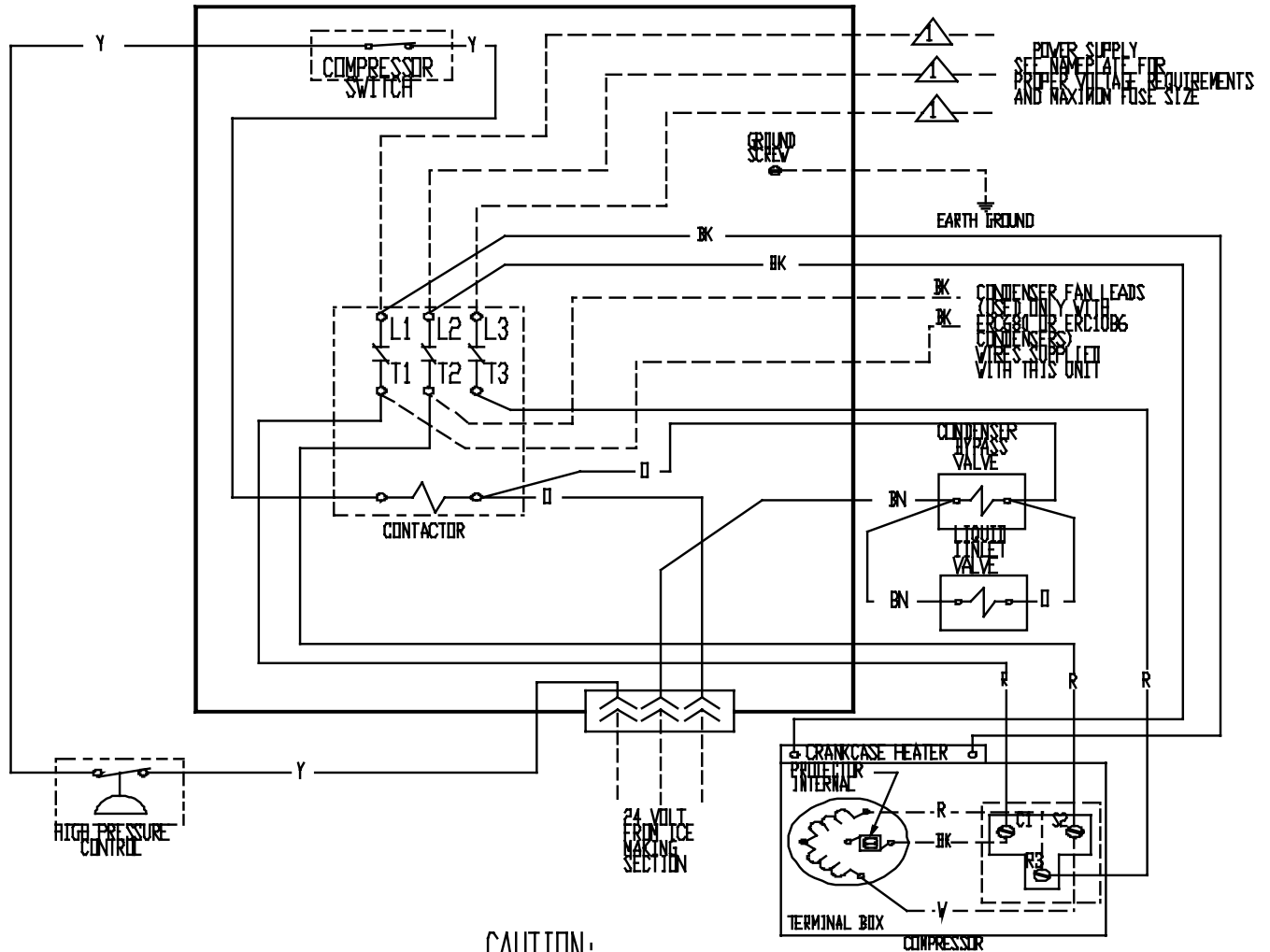


# Eclipse 600, 800, 1000 Service Parts

## CP686, CP886 and CP1086 Three Phase Wiring Diagram

17-2878-01

USE COPPER CONDUCTORS ONLY



THIS UNIT MUST  
BE GROUNDED.

CAUTION: MORE THAN ONE DISCONNECT MEANS MAY BE  
REQUIRED TO DISCONNECT ALL POWER TO THIS UNIT.

⚠ DASHED LINES INDICATE FIELD WIRING WHICH MUST BE  
INSTALLED IN ACCORDANCE WITH THE NATIONAL ELECTRICAL  
CODE AND ALL STATE AND LOCAL CODES.

# Eclipse 600, 800, 1000 Service Parts

## CP686, CP886 and CP1086 Three Phase Schematic Diagram

