

# HD22 and HD30 Service Parts

This is the list of service parts and wiring diagrams for all versions of these two hotel dispensers.

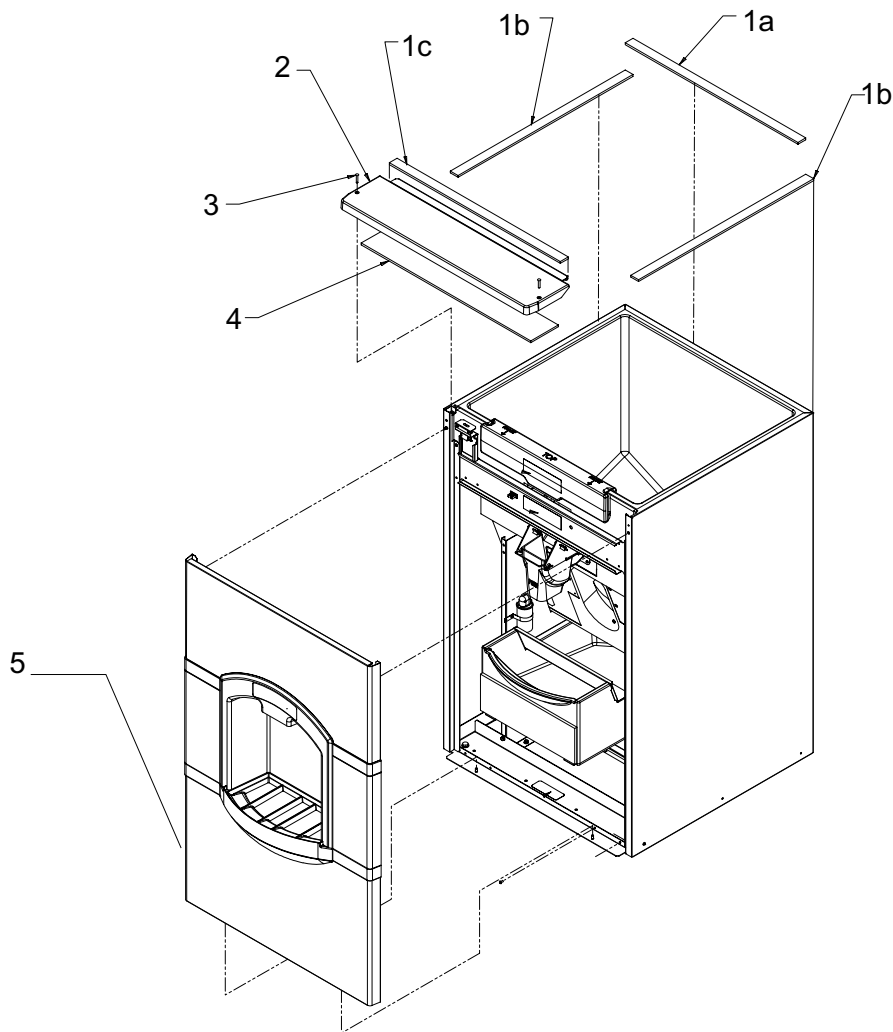
Pay close attention to the voltage and/or cycles to be sure of ordering the correct part.

## Table of Contents

Front and Top Panels . . . . .	Page 2
HD30B & HD22B Front Panel . . . . .	Page 3
HD30N and HD30W Front Panel & Related Parts . . . . .	Page 4
Side, Back and Interior Panels . . . . .	Page 5
Dispensing Components . . . . .	Page 6
Ice Chute Mechanism . . . . .	Page 7
Ice Catch Pan . . . . .	Page 8
Control Box . . . . .	Page 9
Wiring Diagram, 115 volt, 60 Hz Basic and Water Station . . . . .	Page 10
Schematic Diagram, Basic and Water Station Models . . . . .	Page 11
Wiring Diagram, 230 volt, 50 Hz Basic . . . . .	Page 12
Wiring Diagram for Coin Mechanism Model . . . . .	Page 13
Schematic Diagram for Coin Mechanism Model . . . . .	Page 14

# HD22 and HD30 Service Parts

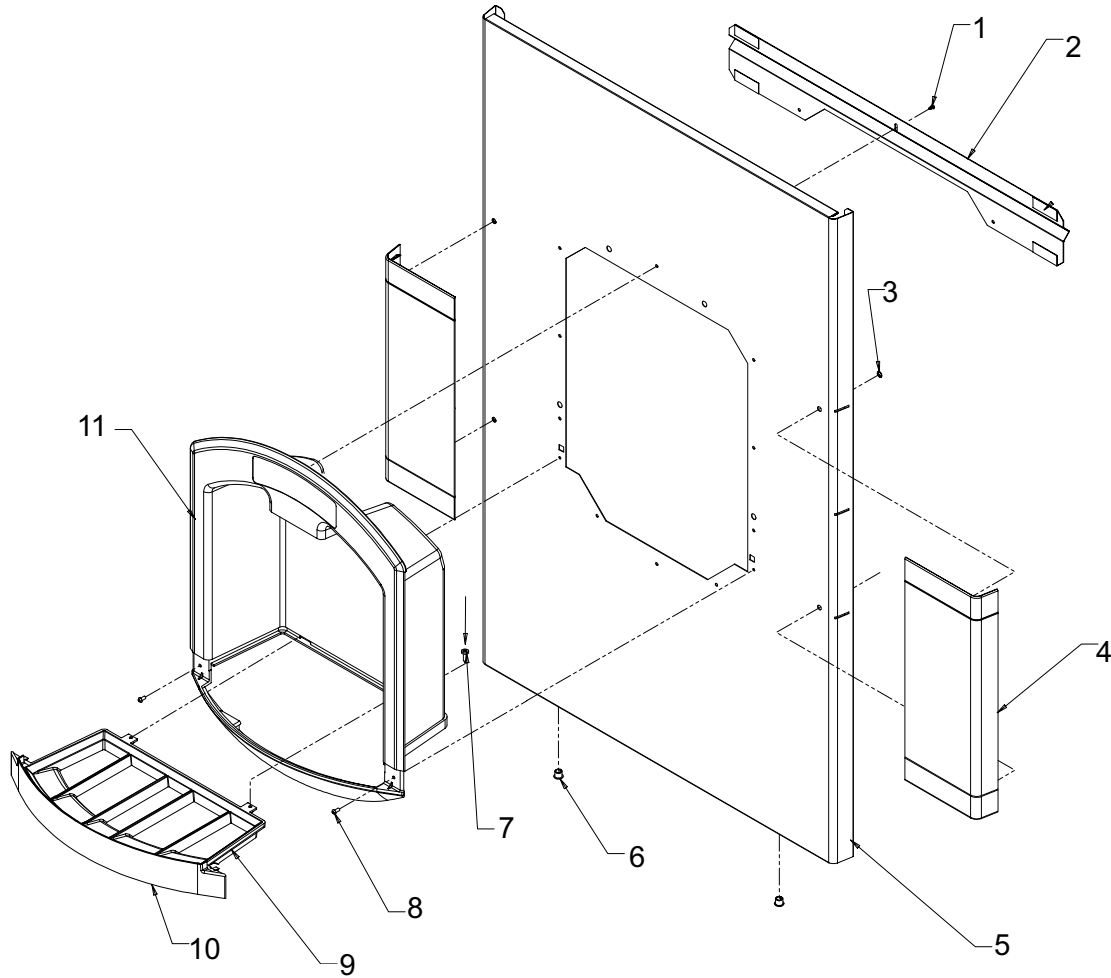
## Front and Top Panels



Item Number	Part Number	Description	5		
1	19-0503-04	Gasket tape, order by ft.		A38318-021	HD30B or HD30W front panel with side flanges
1a		Use 27.5" for HD30, 19.5" for HD22		A38318-023	HD30N front panel with side flanges
1b		Use 27.88"		A38319-021	HD22 front panel with side flanges
1c		Use 27.25" for HD30, 19.25" for HD22			
2	02-3997-01	HD30 top panel			
	02-3997-03	HD22 top panel			
3	03-1735-01	Top panel screw			
4	02-3998-01	HD30 panel insulation			
	02-3998-02	HD22 panel insulation			

# HD22 and HD30 Service Parts

## HD30B & HD22B Front Panel

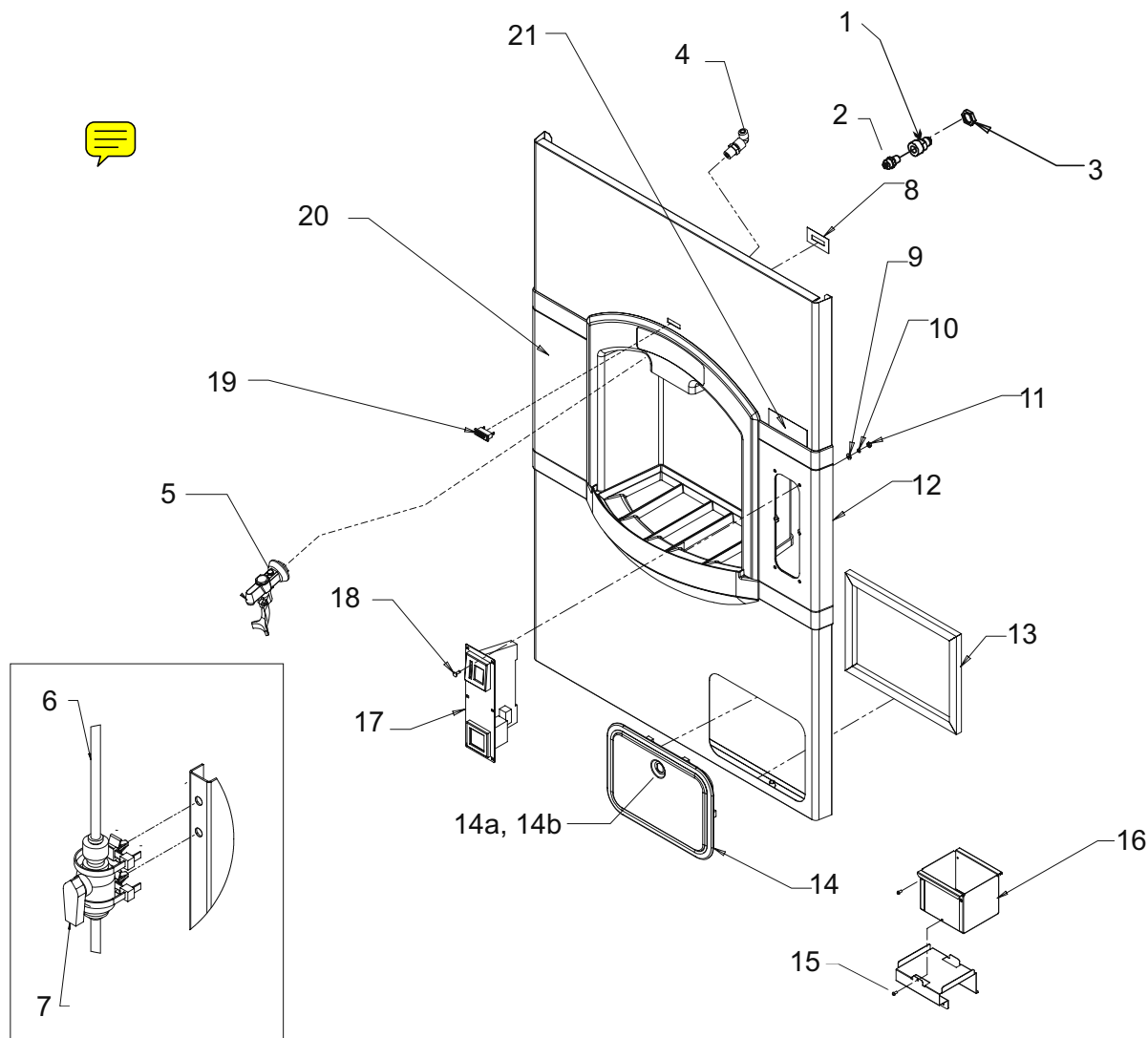


Item Number	Part Number	Description	Item Number	Part Number	Description
1	03-3836-01	Screw	11a	02-3971-01	HD22, HD30B, HD30N dispense housing
2	A38357-001	HD30 stiffener	11b	02-3971-03	HD30W dispense housing
	A38357-002	HD22 stiffener			
3	03-1731-02	Retainer			
4	02-3973-01	HD30B side flange			
	02-3973-02	HD22 side flange			
5	A38318-021	HD30 Front panel*			
	A38319-021	HD22 Front panel*			
6	12-1213-04	Snap bushing			
7	03-1404-12	Screw			
8	03-1531-01	Screw			
9	19-0503-11	Foam gasket, 6" per side			
10	02-3972-01	Grill			

\* includes items 1 thru 4

# HD22 and HD30 Service Parts

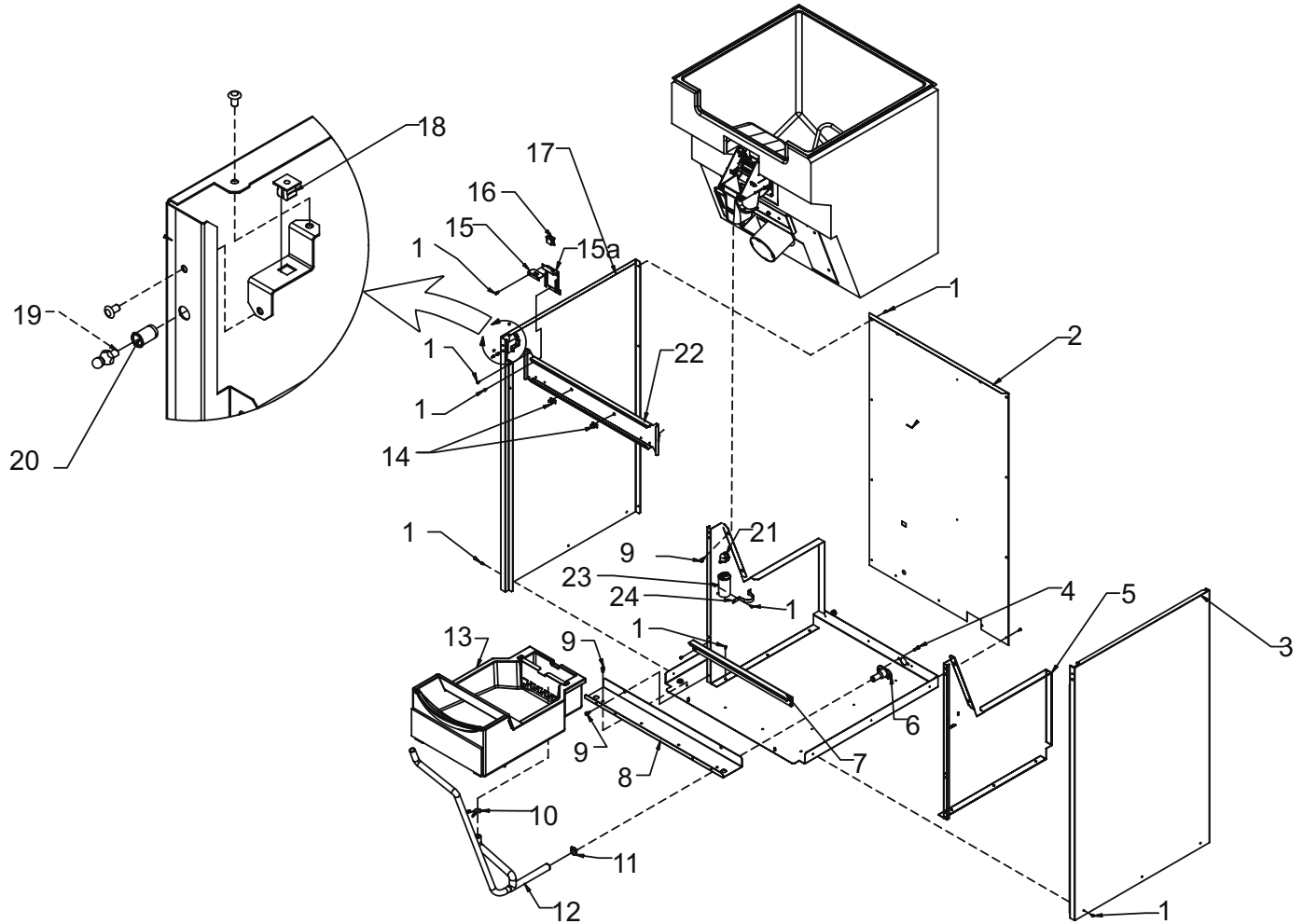
## HD30N and HD30W Front Panel & Related Parts



Item Number	Part Number	Description	Item Number	Part Number	Description
1	16-0835-01	Water inlet fitting	12	02-3973-05	Right side flange for coin mech model
2	16-1039-01	Straight connector	13	01-1295-01	Door shim
3	03-1394-01	Pal nut	14	12-2896-02	Door and lock
4	16-1104-01	Male elbow connector	14a	12-2896-26	Lock and key
5	02-3990-01	Water faucet	14b	12-2896-27	Key
6	13-0895-01	Tubing, order per ft	15	03-1531-01	Coin box screw
7	16-1105-01	Shut off valve	16	A38438-001	Coin box
8	A38462-001	Indicator light backing	17	12-2896-01	Coin mechanism
9	03-1407-02	Washer for coin mech		12-2896-25	Coin switch
10	03-1410-07	Lockwasher	18	12-2896-03	Mounting screw
11	03-1406-04	Hex nut (8-32)	19	12-2908-01	Ready light
			20	02-3973-01	HD30 left side flange
			21	17-2970-01	Coin mech label

# HD22 and HD30 Service Parts

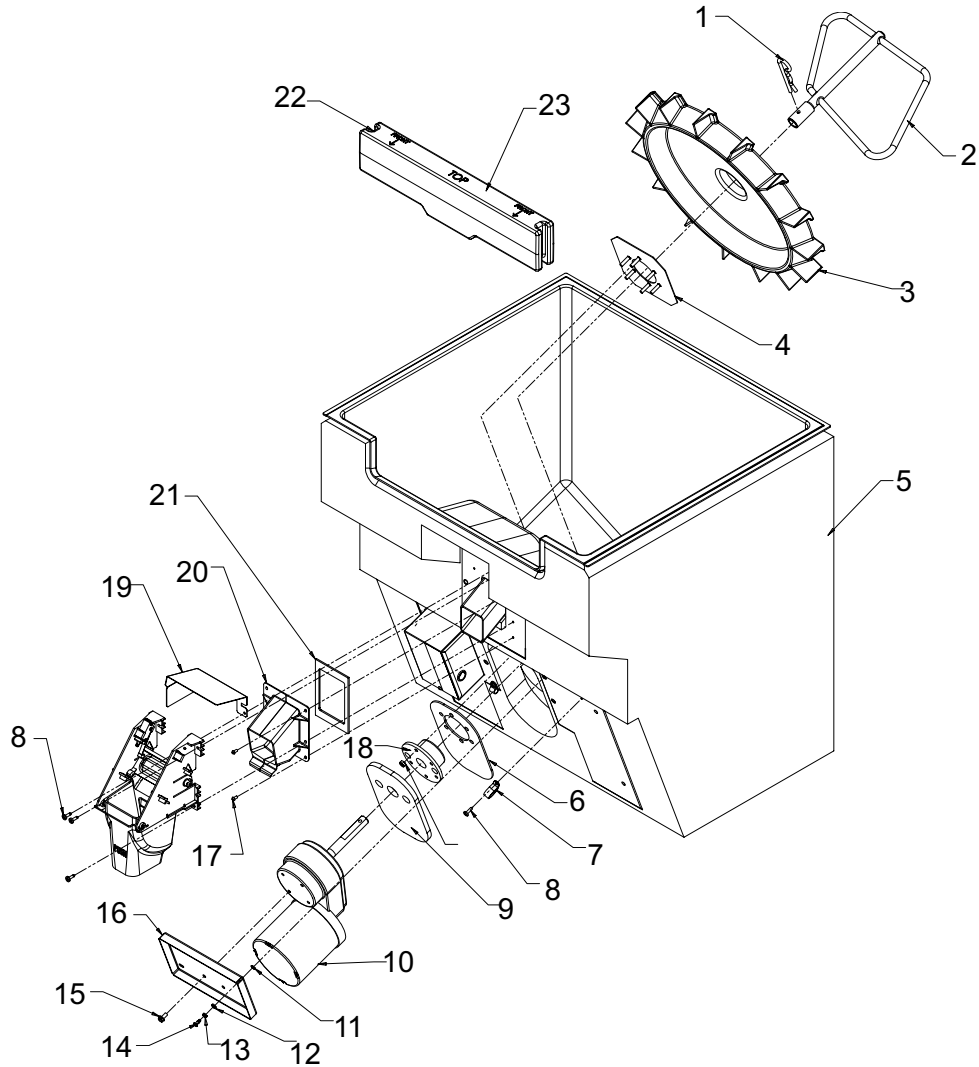
## Side, Back and Interior Panels



Item Number	Part Number	Description	Item Number	Part Number	Description
1	03-1531-01	Screw	12	02-3979-01	Drain hose
2	A38321-001	HD30 back panel	13	A38316-021	Drain pan, assembled
	A38322-001	HD22 back panel	14	02-3011-01	Wire clamp (coin mech)
3	A38320-022	Right side panel, includes mounting hardware	15	A38435-002	Switch plate top
4	03-0571-01	Screw	15a	A38435-001	Switch plate
5	A38325-002	Bin support, right	16	12-1276-01	Switch, interlock
	A38325-001	Bin support, left	17	A38320-021	Left side panel, includes mounting hardware
6	02-3692-23	Drain fitting	18	03-3804-01	Plastic nut
7	A38348-001	Catch pan support	19	03-1733-01	Strike (ball stud)
8	A38362-001	HD30 base stiffener	20	03-1734-01	Insert
	A38362-002	HD22 base stiffener	21	13-0666-00	Terminal cover
9	03-1645-01	Screw	22	A38333-001	HD30 support bracket
10	02-3791-01	Hose clamp		A38333-002	HD22 support bracket
11	02-2814-09	Hose clamp	23	18-1902-52	Motor capacitor
			24	A35971-001	Strap

# HD22 and HD30 Service Parts

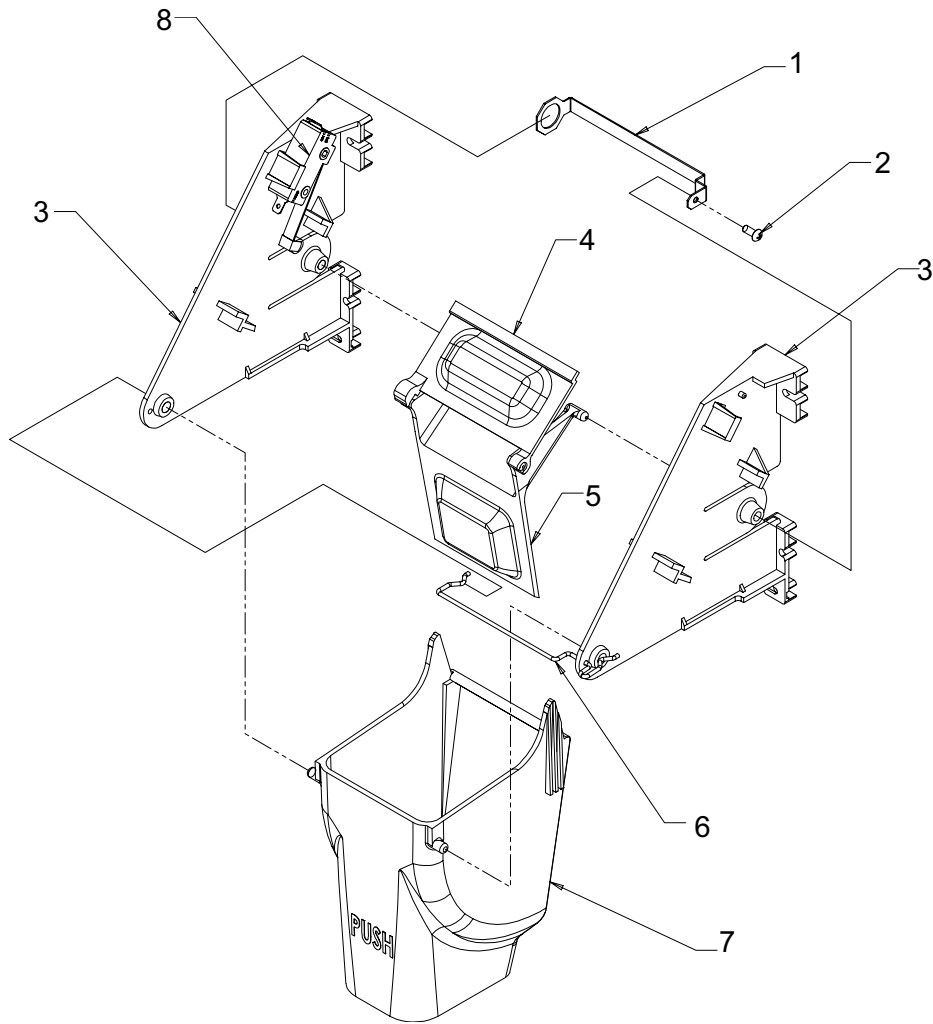
## Dispensing Components



Item Number	Part Number	Description	Item Number	Part Number	Description
1	03-3837-01	Hitch pin	11	03-1731-02	Retainer
2	02-3989-01	Sweep arm	12	03-1731-04	Cupped washer
3	02-3040-01	Dispense rotor	13	03-1731-03	Spring
4	A38145-001	Hub plate	14	03-3838-02	¼ turn stud
5	A38314-001	HD30 bin assembly	15	03-1645-01	Screw
	A38314-002	HD22 bin assembly	16	A38342-001	Mounting plate
6	13-0940-01	Insulation pad	17	03-1531-01	Screw
7	03-3841-02	Loop clamp	18	A34760-001	Hub
8	03-1404-12	Screw	19	A38446-001	Switch guard
9	13-0939-01	Insulation for hub	20	02-3965-01	Spout
10	12-2897-01	Dispense gearmotor, dual voltage	21	02-4000-01	Gasket
			22	19-0503-09	Gasket, 4" each end
			23	A38341-002	Bin door

# HD22 and HD30 Service Parts

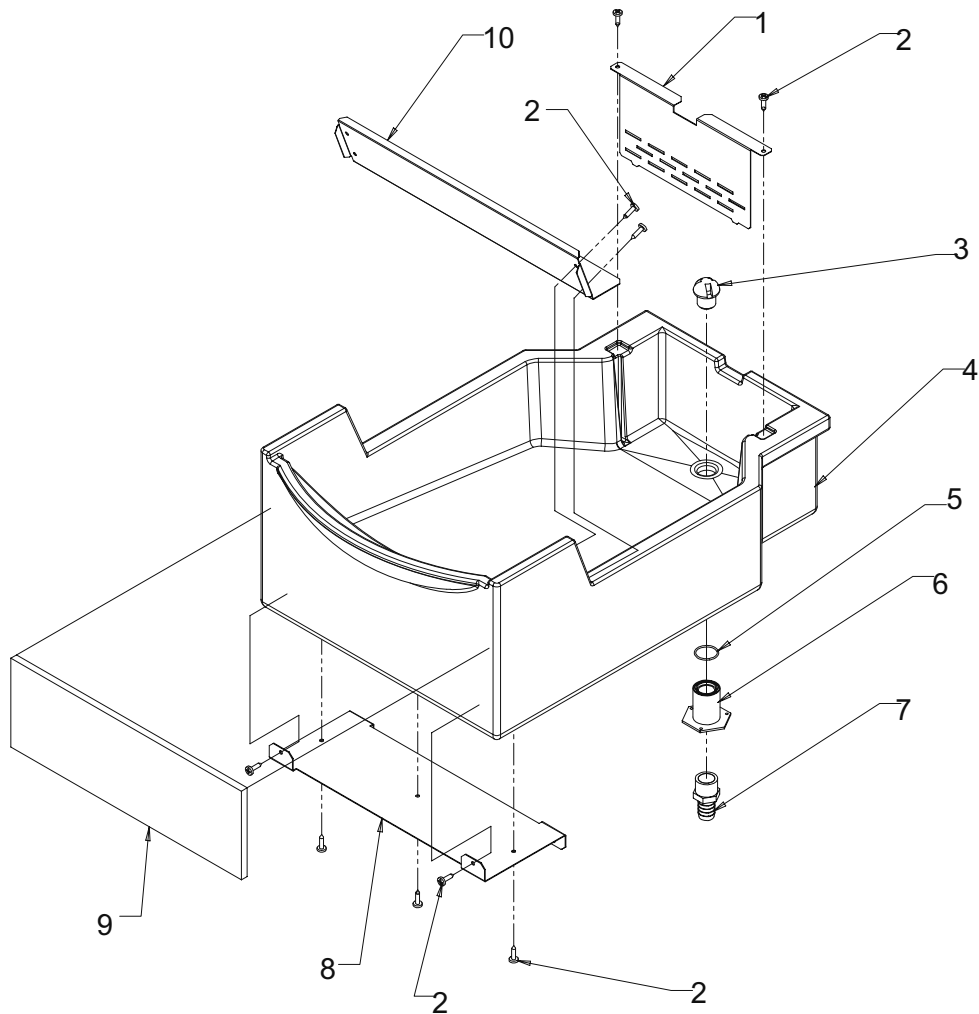
## Ice Chute Mechanism



Item Number	Part Number	Description
1	A38455-001	Clip
2	03-1531-01	Screw
3	02-3964-01	Bracket
4	02-3963-01	Door lock
5	02-3962-01	Door
6	02-3970-01	Wire
7	02-3961-01	Dispense chute
8	12-2879-01	Vend switch

# HD22 and HD30 Service Parts

## Ice Catch Pan

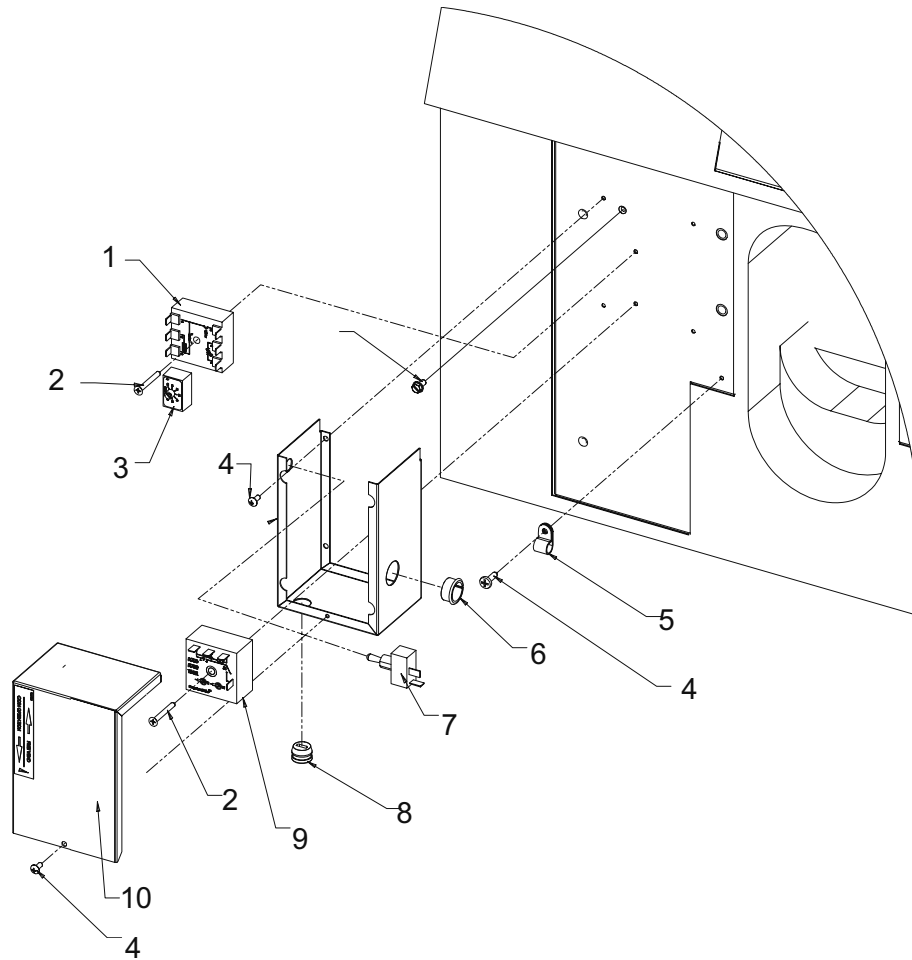


Item Number	Part Number	Description
1	A38332-001	Screen
2	03-1404-12	Screw
3	02-2809-02	Drain top
4	A38316-021	Complete assembly as shown
5	02-4193-01	Flat washer
6	02-3201-01	Drain bottom
7	16-1099-01	Drain fitting
8	A38454-001	Drain pan bracket
9	02-3999-01	Foam pad
10	A38447-001	Drain guard



# HD22 and HD30 Service Parts

## Control Box



Item Number	Part Number	Description	Not shown	Part Number	Description
1	12-2948-01	Coin mech timer*	11	12-2880-01	60 Hz harness, basic and water
2	03-1419-16	Screw		12-2891-01	Coin mech harness
3	part of item 1			12-2904-01	50 Hz harness
4	03-1531-01	Screw	12	12-1638-20	115 volt power cord
5	03-3841-01	Loop clamp		12-1638-18	230 volt power cord
6	12-1213-10	Snap bushing			
7	12-0426-01	Free vend switch			
8	12-0629-08	Strain relief			
9	12-2881-01	60 Hz off cycle timer			
	12-2881-02	50 Hz off cycle timer			
10	A38330-001	Control box cover			

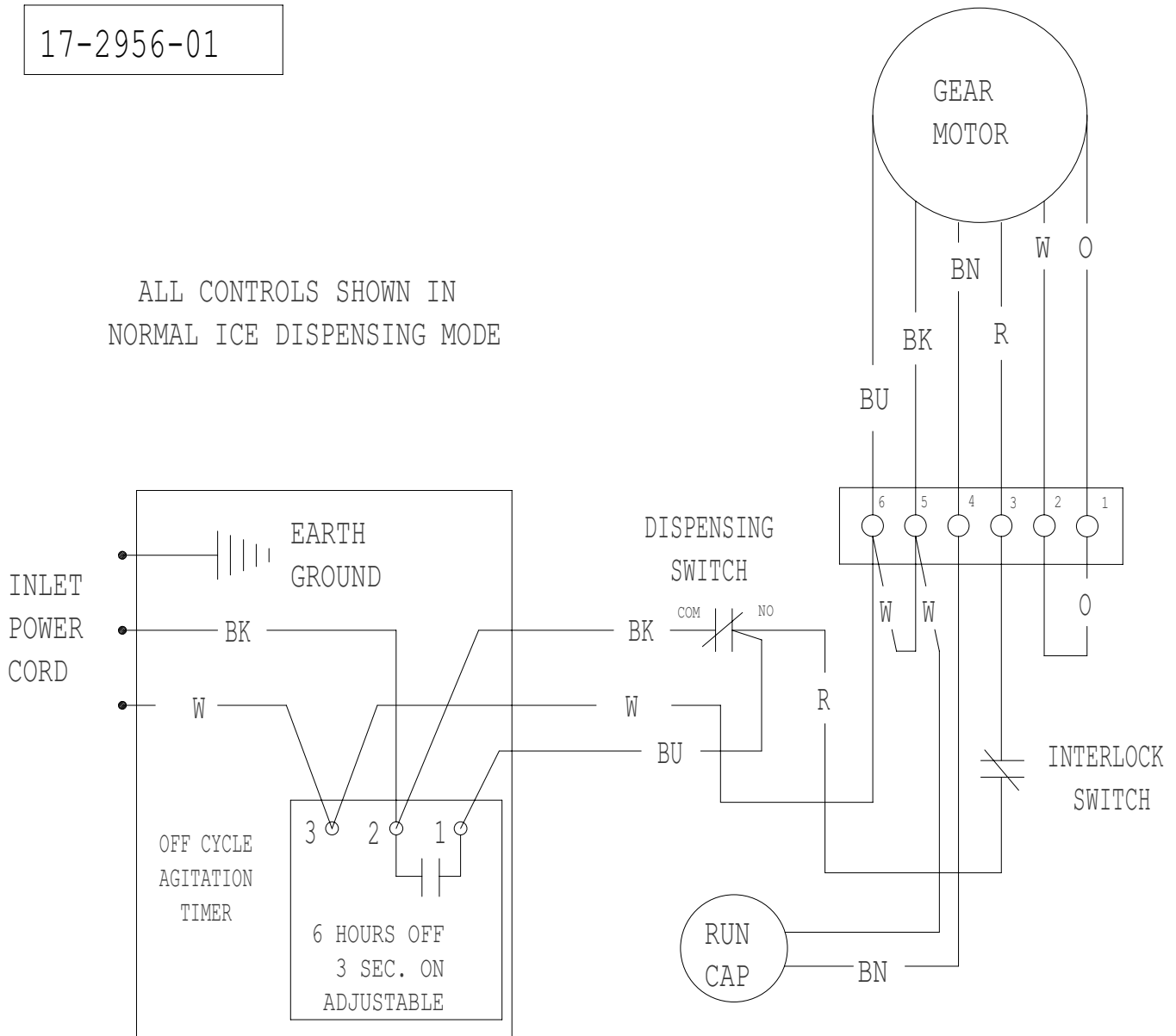
\* Note: Use of this timer includes a wiring change. Prior timers had separate adjustment modules and used the wiring diagram on page 13. Refer to page 15 for wiring of this timer.

# HD22 and HD30 Service Parts

## Wiring Diagram, 115 volt, 60 Hz Basic and Water Station

17-2956-01

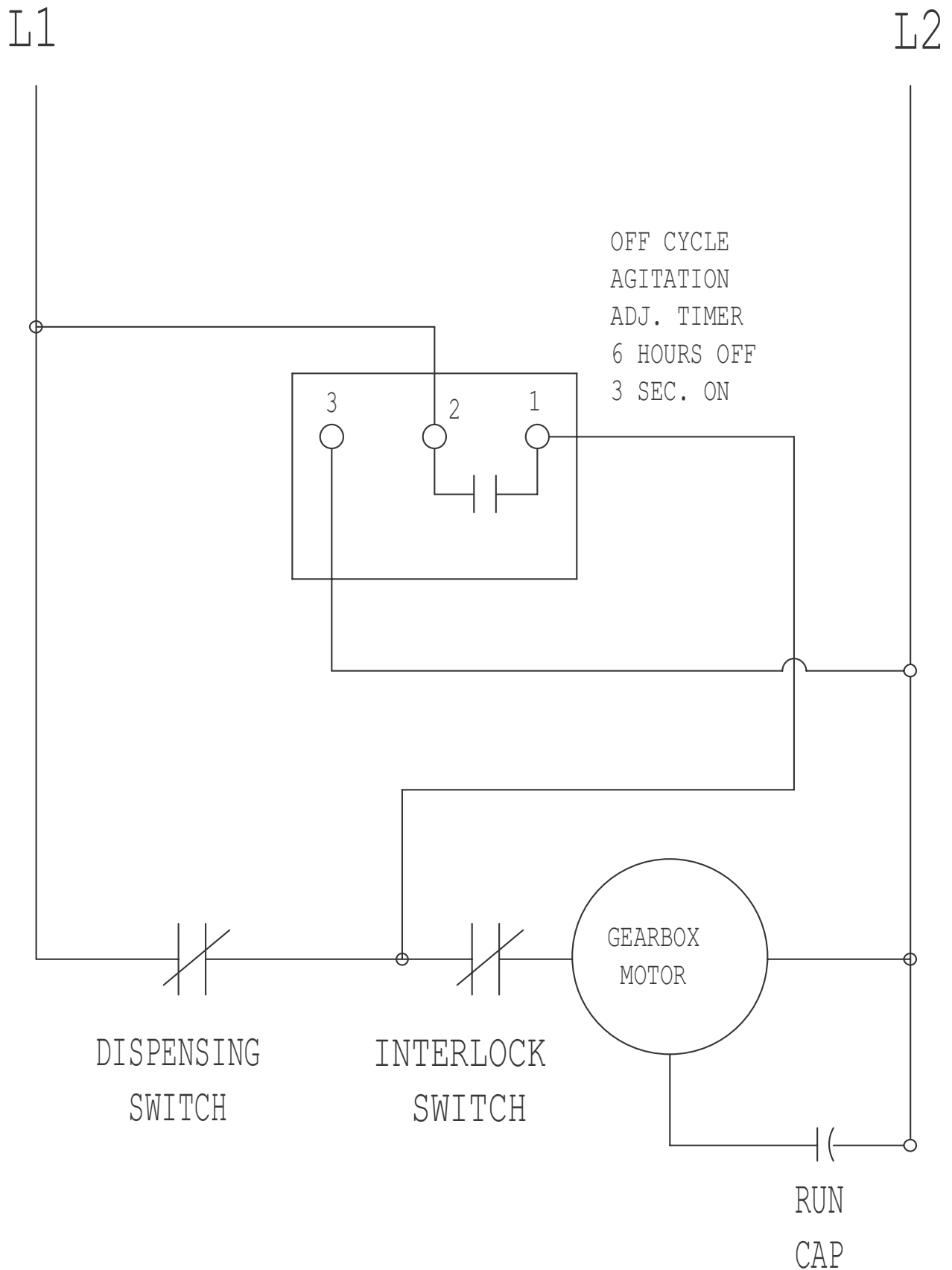
ALL CONTROLS SHOWN IN  
NORMAL ICE DISPENSING MODE



USE COPPER CONDUCTORS ONLY

# HD22 and HD30 Service Parts

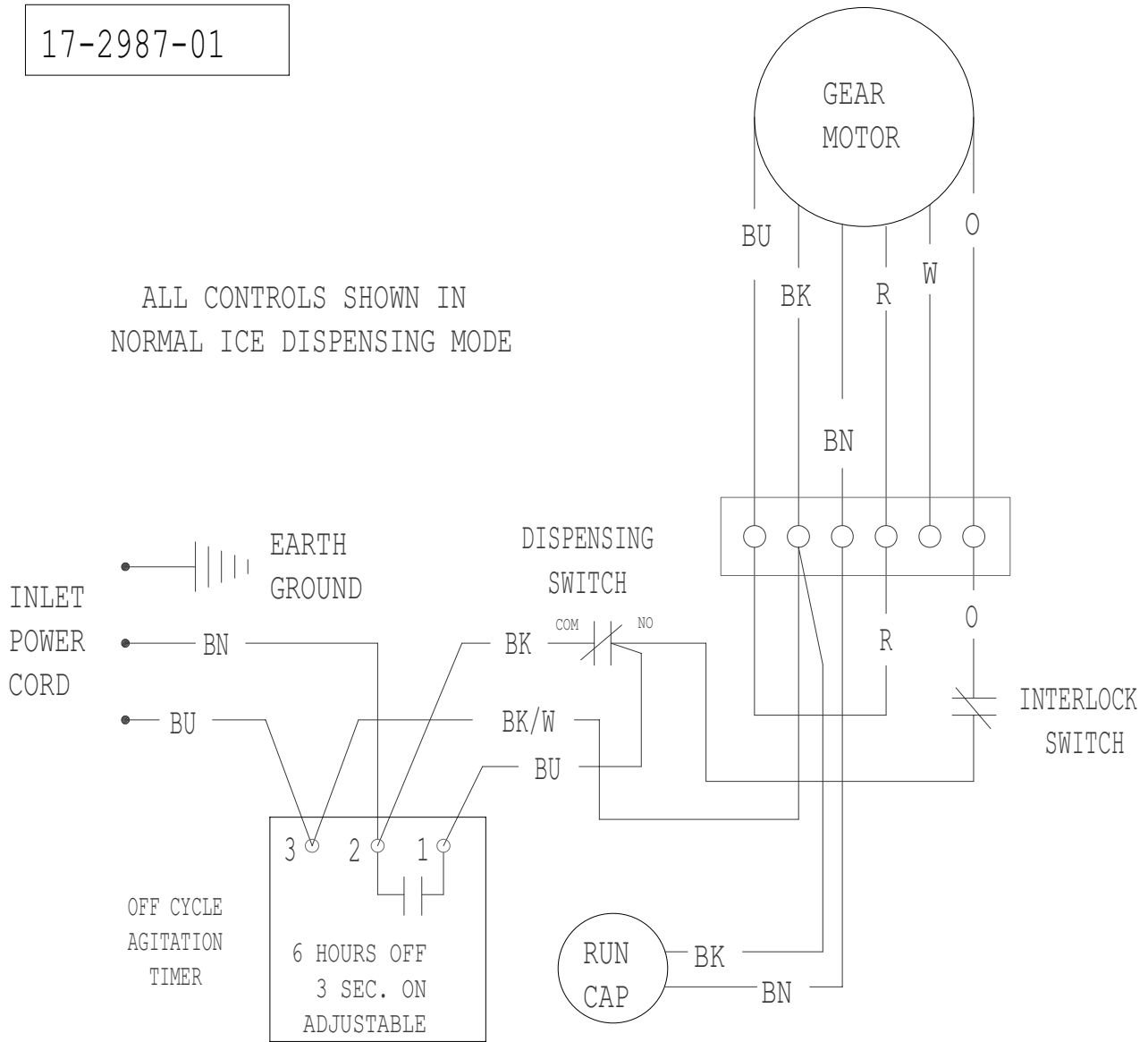
## Schematic Diagram, Basic and Water Station Models



# HD22 and HD30 Service Parts

## Wiring Diagram, 230 volt, 50 Hz Basic

17-2987-01

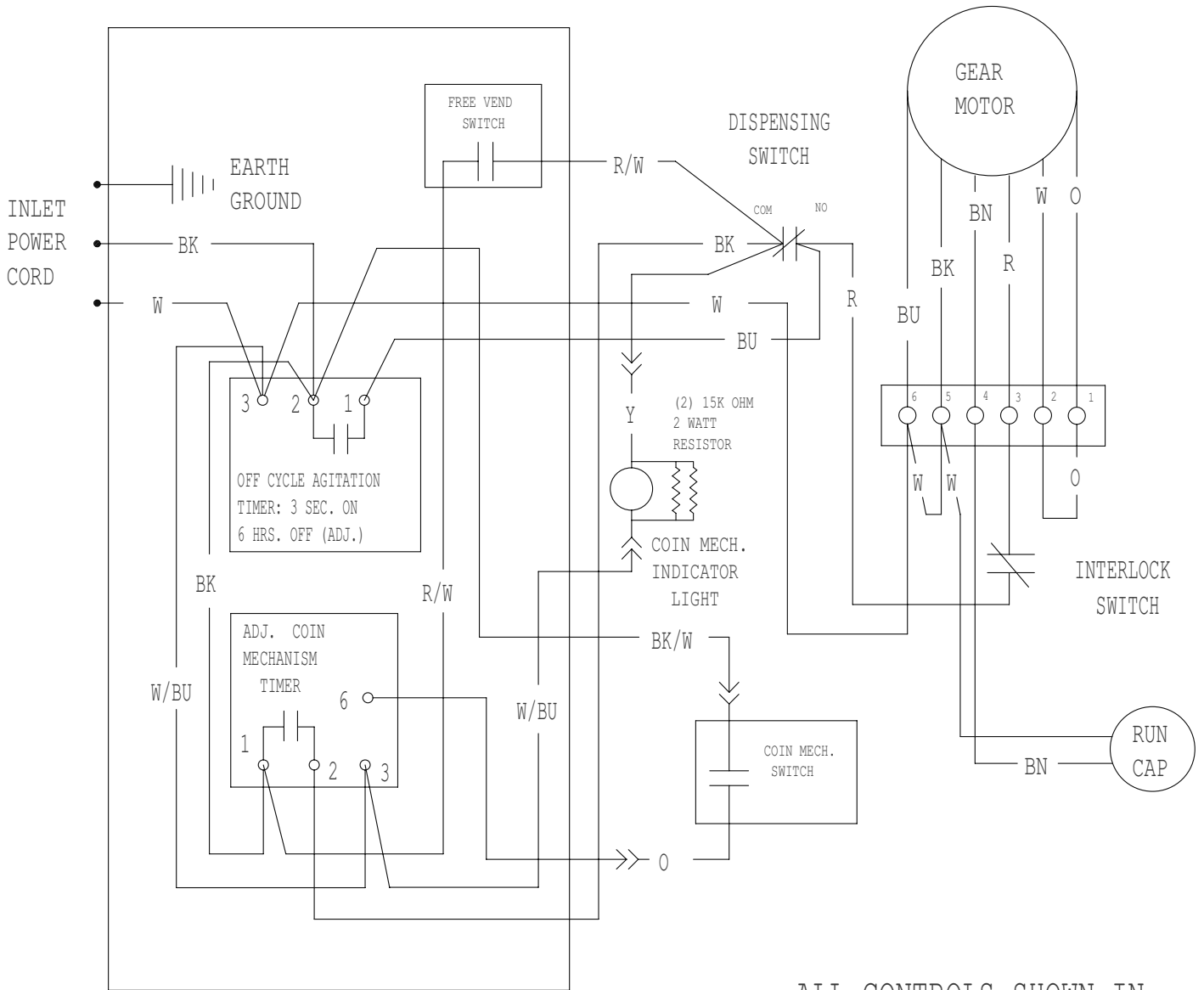


USE COPPER CONDUCTORS ONLY

# HD22 and HD30 Service Parts

## Wiring Diagram for Coin Mechanism Model, with prior coin mech timer

17-2967-01

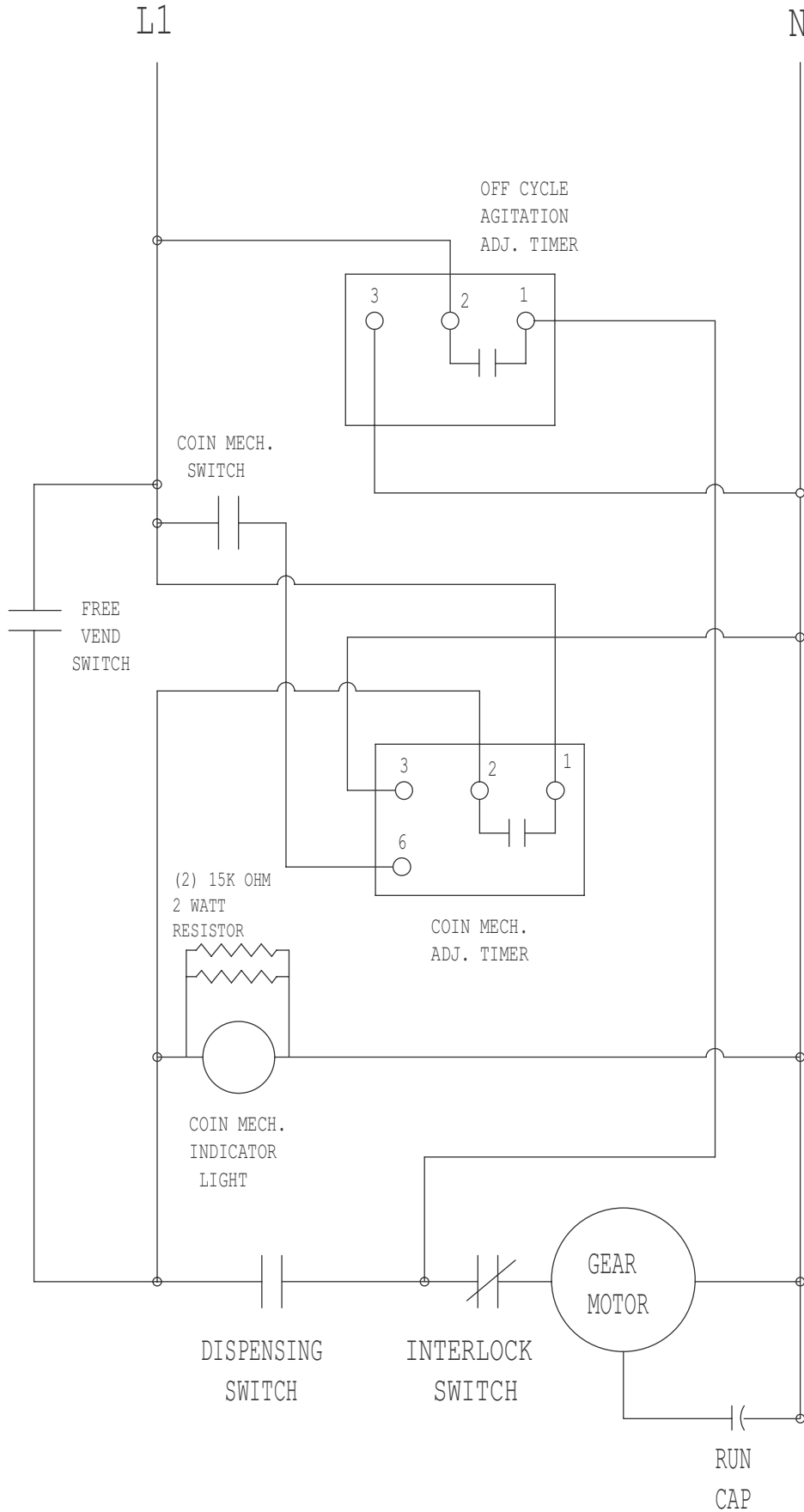


USE COPPER CONDUCTORS ONLY

ALL CONTROLS SHOWN IN  
NORMAL ICE DISPENSING MODE

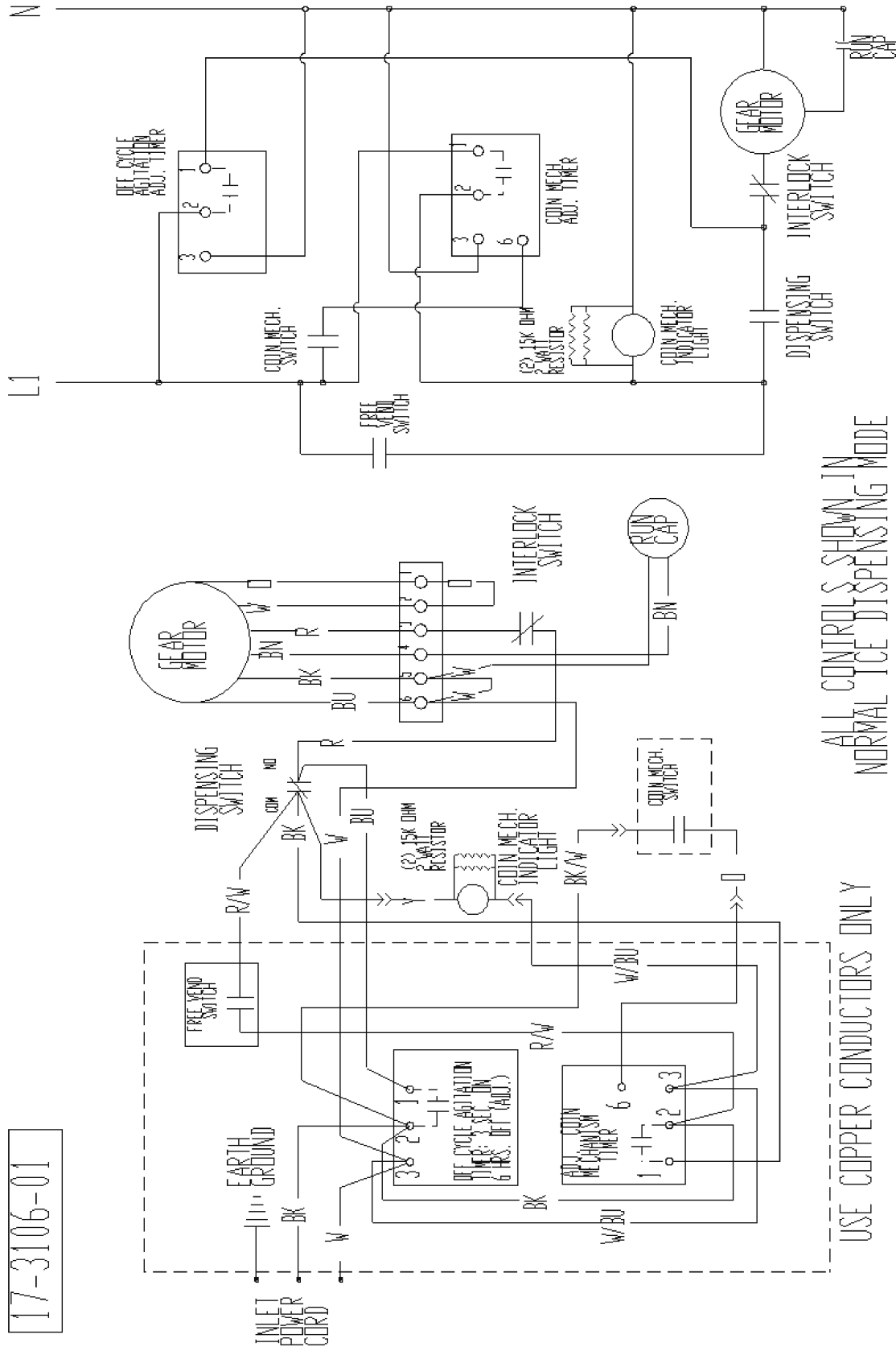
# HD22 and HD30 Service Parts

## Schematic Diagram for Coin Mechanism Model



# HD22 and HD30 Service Parts

## Wiring Diagram for Coin Mechanism Model after 2006 coin mech timer change



17-3106-01