

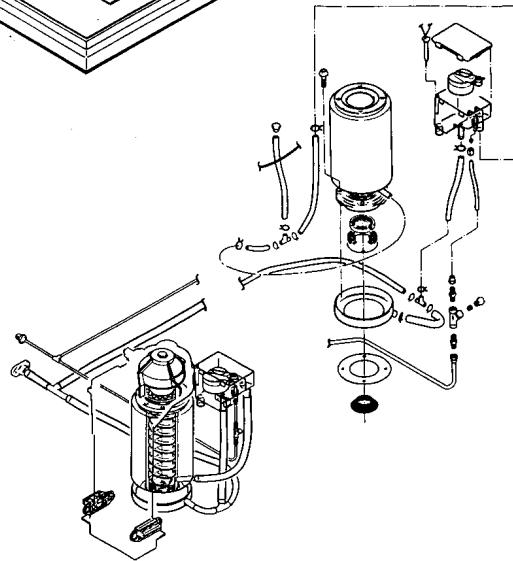
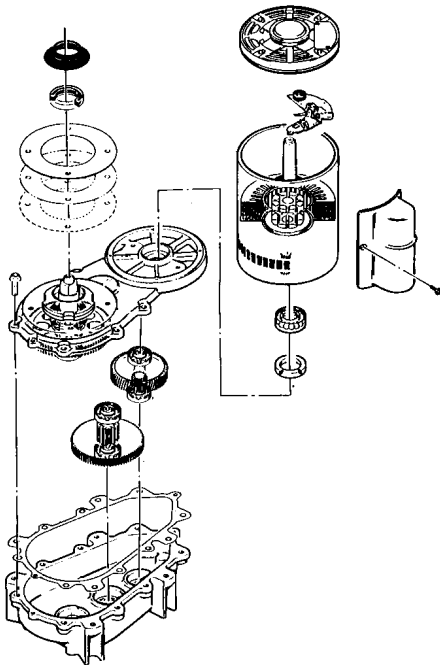
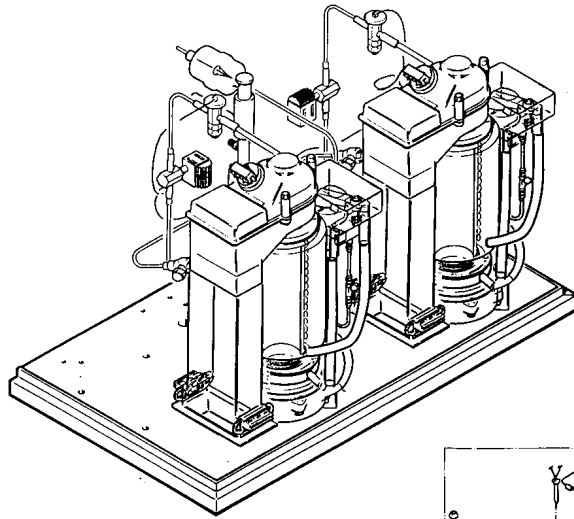
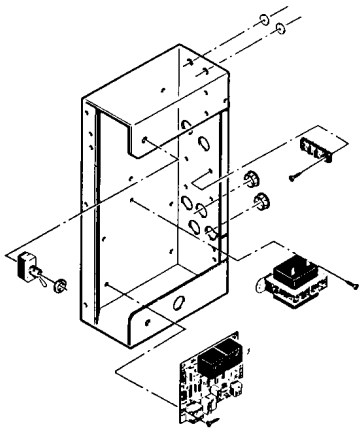
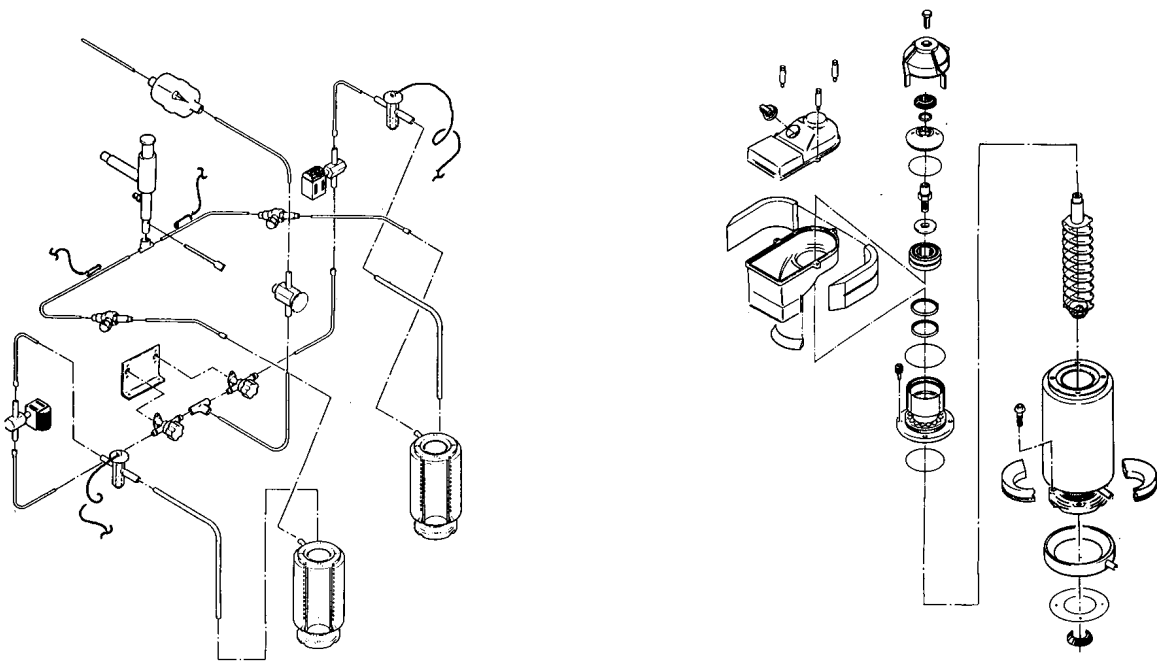
FM2400RH SERVICE PARTS

This partslist contains the service parts and wiring diagrams for this model. Check the model number of the machine requiring the parts to be sure that this is the correct parts list.

TABLE OF CONTENTS

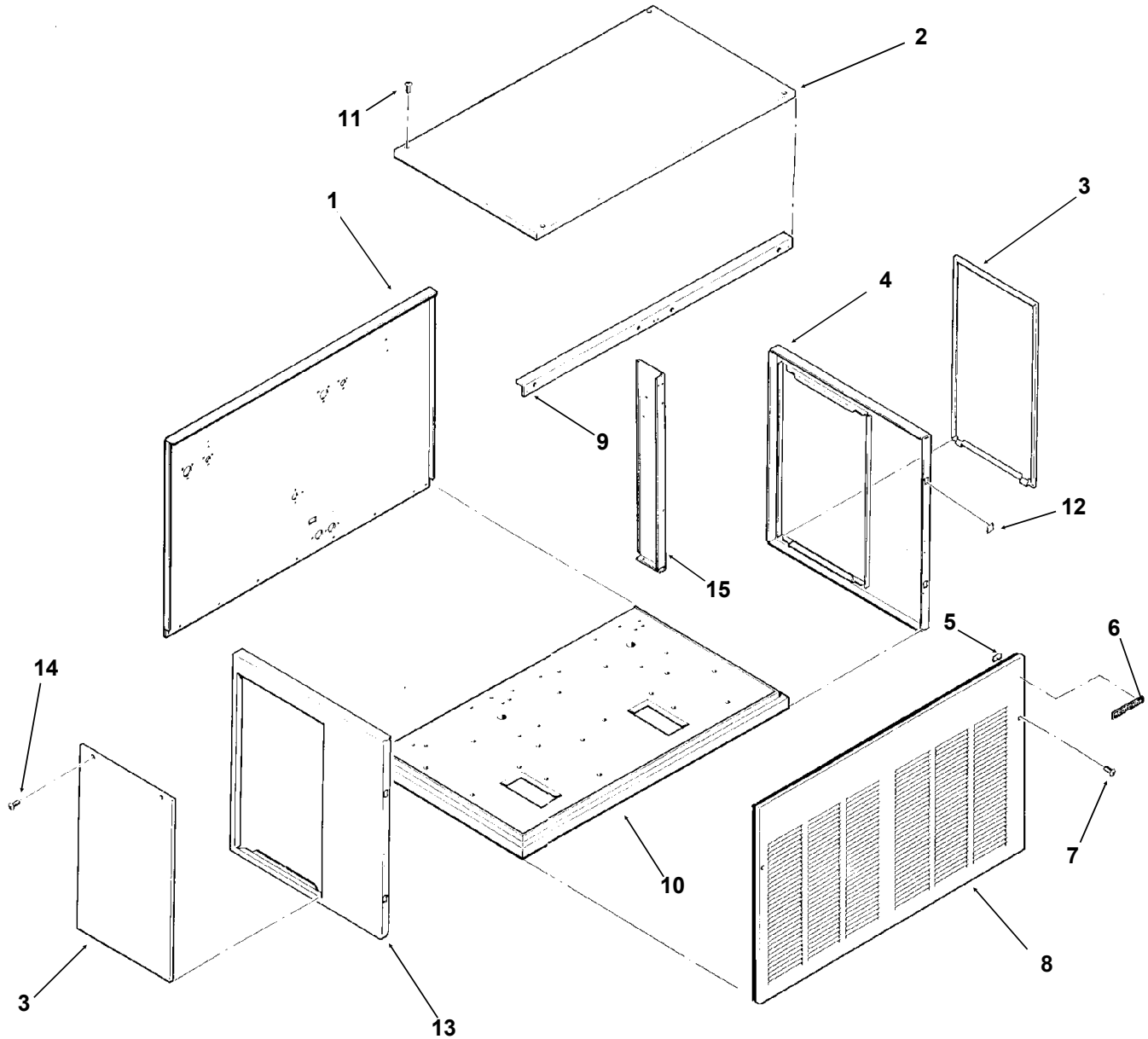
Cabinet Assembly	Page 2
Water System	Page 3
Refrigeration System	Page 4
Evaporator	Page 5
Gearmotor	Page 6
Control Box	Page 7
Wiring Diagrams	Page 8

FM2400RH SERVICE PARTS



FM2400RH SERVICE PARTS

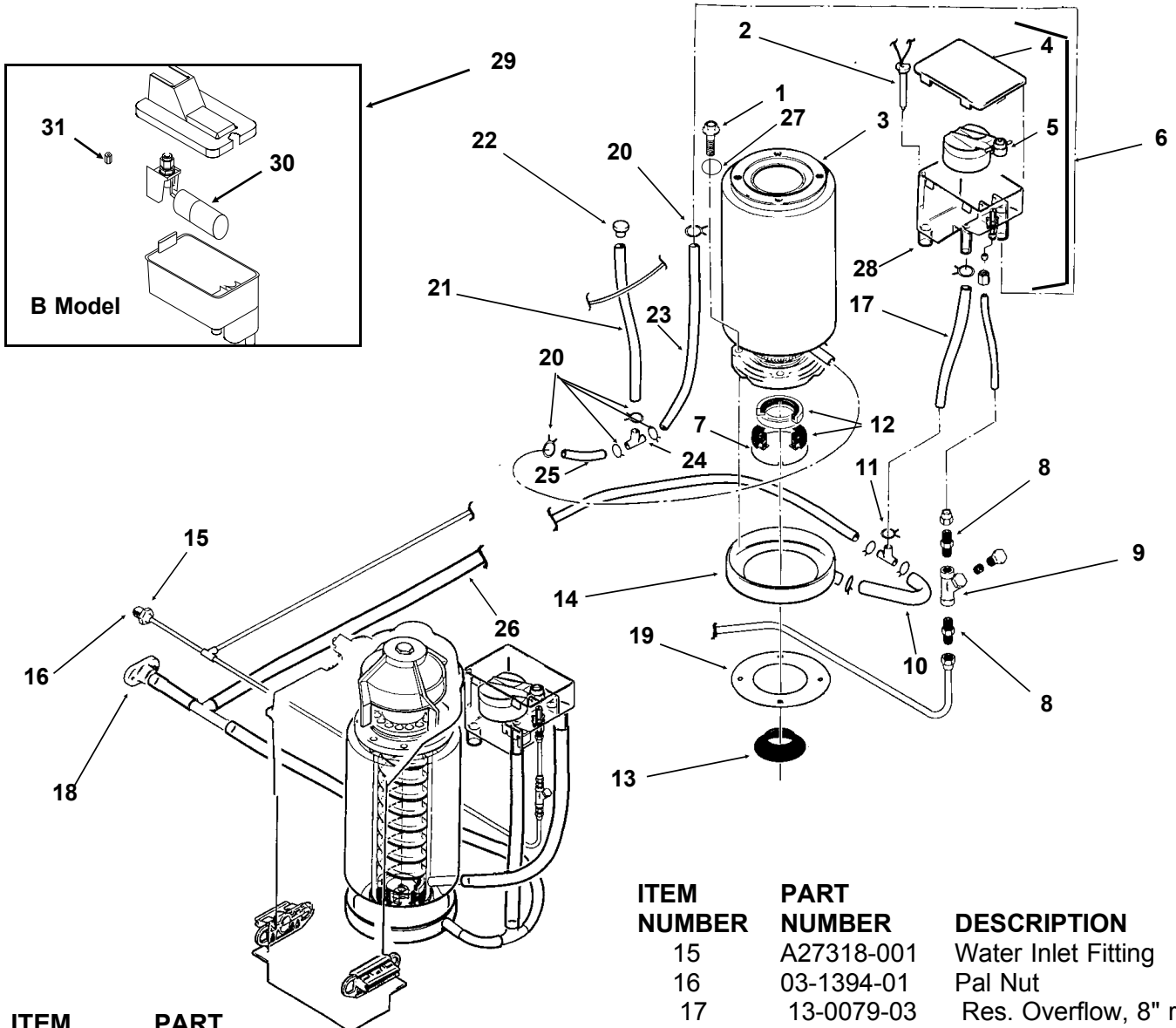
Cabinet



ITEM NUMBER	PART NUMBER	DESCRIPTION	ITEM NUMBER	PART NUMBER	DESCRIPTION
1	A34283-001	Back Panel, Painted	9	A34287-001	Support
2	A32461-001	Top Panel, Painted	10	A34282-001	Base
	A32461-002	Top Panel, S.S.	11	03-1531-01	Screw
3	A34038-001	Service Panel, Painted	12	02-0836-00	Catch
	A34038-002	Service Panel, S.S.	13	A32435-001	Left Side Panel, Painted
4	A33292-001	Right Side Panel, Painted		A32435-002	Left Side Panel, S.S.
	A33292-002	Right Side Panel, S.S.	14	03-1404-12	Screw
5	03-0271-00	Speed Clip	15.	A34286-001	Center Support
6	15-0711-01	Emblem			
7	03-1419-08	Screw			
8	A34294-001	Front Panel, Painted			
	A34294-002	Front Panel, S.S.			

FM2400RH SERVICE PARTS

Water System



ITEM NUMBER	PART NUMBER	DESCRIPTION
1	03-1420-03	Cap Screw
2	A33101-022	Water Level Sensor
3	A32890-020	Evaporator
4	02-2936-01	Res. Cover
5	A32922-020	Float Assembly with pin, housing seal, rubber seal, insert & float
6	A32929-020	Reservoir Assembly
7	A32777-021	Retaining Ring for Seal
8	16-0791-01	Half Union
9	16-0162-00	Strainer
10	13-0079-03	Tube, 6.5" req.
11	16-0670-02	Tee
12	02-0929-02	Water Seal
13	13-0868-01	Water Shed
14	A32050-001	Drip Pan

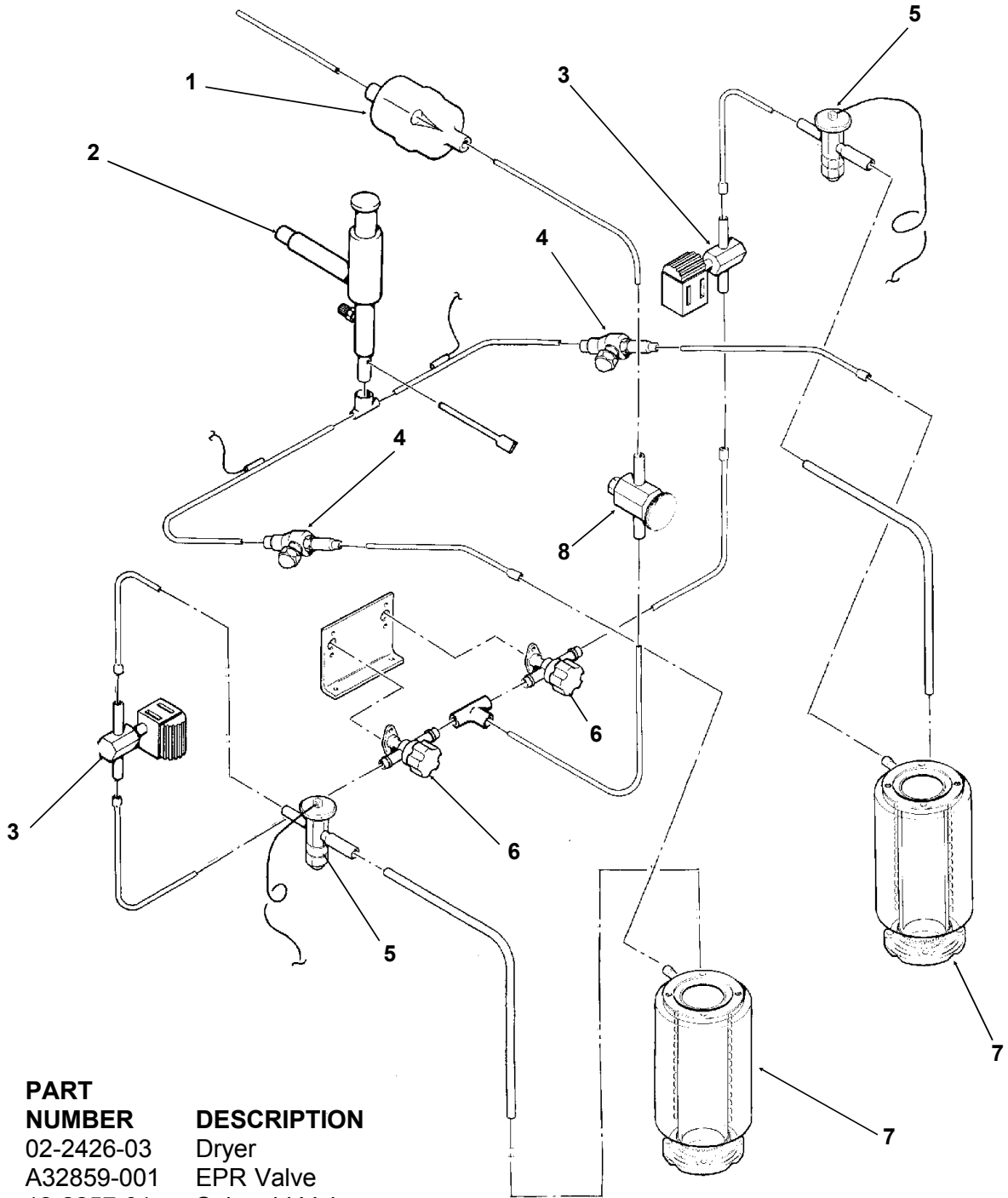
ITEM NUMBER	PART NUMBER	DESCRIPTION
15	A27318-001	Water Inlet Fitting
16	03-1394-01	Pal Nut
17	13-0079-03	Res. Overflow, 8" req.
18	A32282-004	Drain Casting
19	13-0704-00	Gasket
20	02-2814-08	Clamps
21	13-0674-06	Evap. Drain, 14" req.
22	A33205-001	Plug
23	13-0674-06	Evap. Inlet Tube, 5" req.
24	16-0670-01	Tee
25	A33203-001	Tube, Preformed
26	13-0079-03	Drain Tube, 24" req.
27	03-1417-13	Lockwasher
28	13-0230-00	Rubber cap
	02-2814-01	Clamp

B model reservoir:

29	02-3266-20	Reservoir & valve
30	02-3266-21	Float valve
31	02-3266-22	Plunger/seat

FM2400RH SERVICE PARTS

Refrigeration System

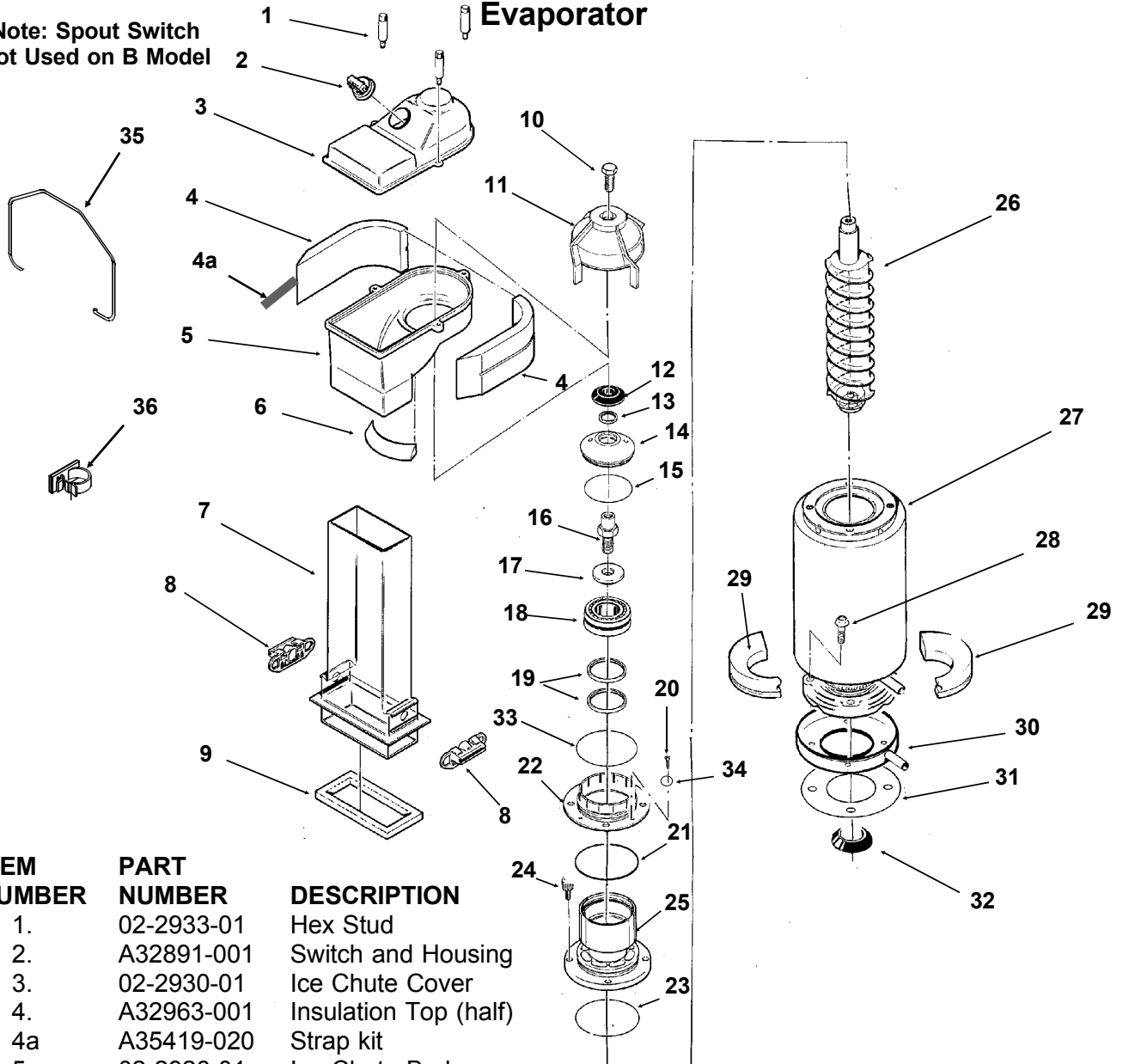


ITEM NUMBER	PART NUMBER	DESCRIPTION
1	02-2426-03	Dryer
2	A32859-001	EPR Valve
3	12-2257-01	Solenoid Valve
4	A32855-001	Ball Valve
5	16-0780-01	Thermostatic Expansion Valve
6	A32858-001	Shut Off Valve
7	A32890-020	Evaporator
8	16-0672-02	Sight Glass

FM2400RH SERVICE PARTS

Note: Spout Switch
Not Used on B Model

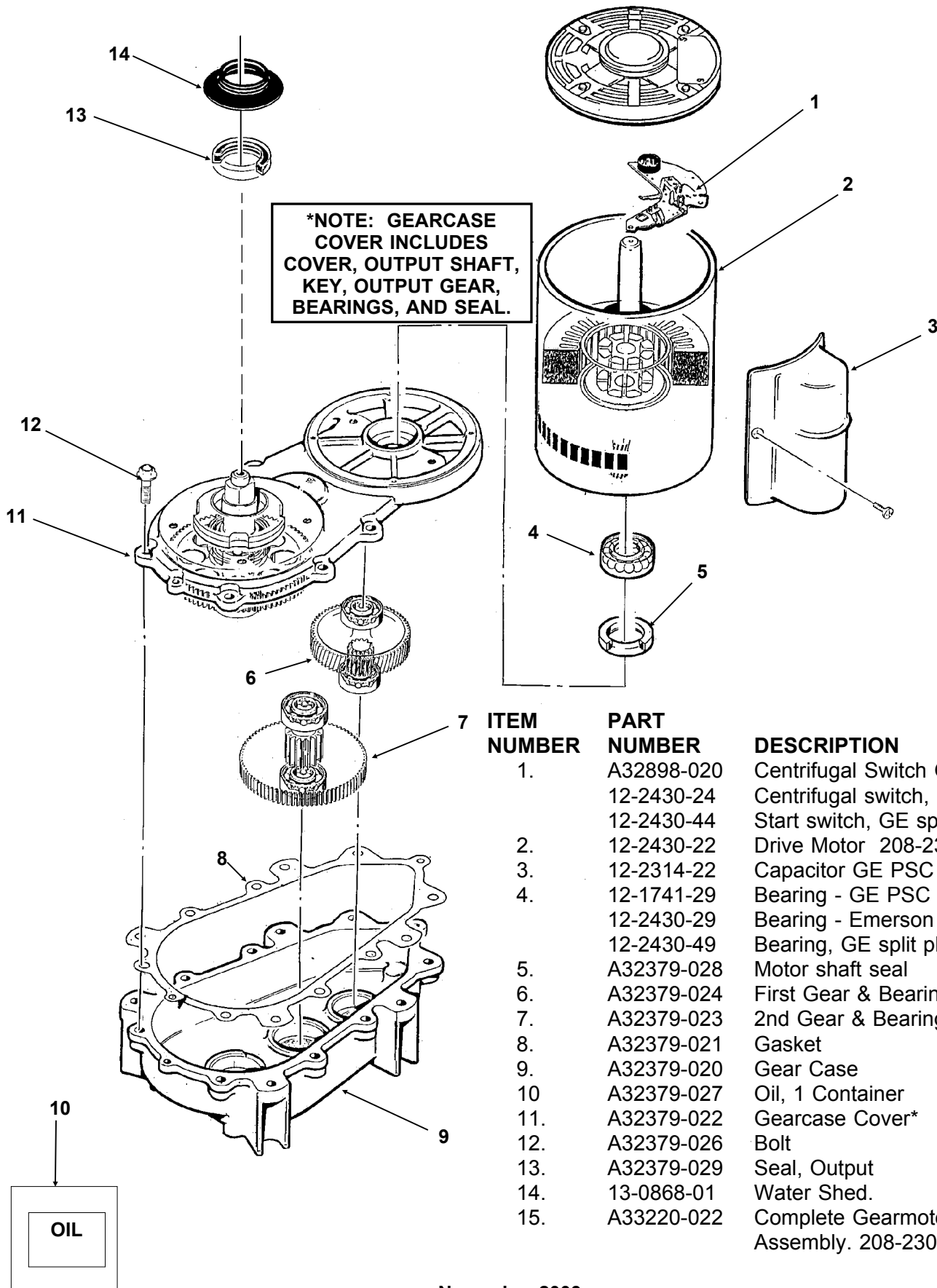
Evaporator



ITEM NUMBER	PART NUMBER	DESCRIPTION
1.	02-2933-01	Hex Stud
2.	A32891-001	Switch and Housing
3.	02-2930-01	Ice Chute Cover
4.	A32963-001	Insulation Top (half)
4a	A35419-020	Strap kit
5.	02-2926-01	Ice Chute Body
6.	A33102-001	Insulation Collar Inside
	A33210-001	Rubber Band
7.	02-2929-01	Ice Chute Lower
8.	A33117-020	Bin Controls Assy. (set of 2)
9.	A32930-001	Chute Gasket
10.	03-1405-52	Hex Cap Screw
11.	02-3001-01	Ice Sweep
12.	13-0871-01	Water Shed
13.	02-2978-01	Lip Seal
14.	02-3128-01	Breaker Cover
15.	13-0617-54	O-Ring
16.	08-0660-01	Auger Stud
17.	part of item 16:	thrust Washer
18.	A34559-020	Bearing
19.	02-2977-01	Lip Seal
20.	03-1405-27	Screw
	21.	13-0617-52 O-Ring
	22.	02-2916-01 Slotted Collar
	23.	13-0617-45 O-Ring
	24.	03-1544-08 Soc. Head Screw
	25.	A34505-020 Breaker (Divider) (includes 18 & 19)
	26.	02-3003-01 Auger
	27.	A32890-020 Evaporator
	28.	03-1420-03 Cap Screw
	29.	A32962-001 Insulation Bot. (half)
	30.	A32050-001 Drip Pan
	31.	13-0704-00 Drip Pan Gasket
	32.	13-0868-01 Water Shed
	33.	13-0617-49 O-Ring
	34.	03-1408-36 Washer
	35.	A34969-001 Bail clip
	36.	02-3268-01 Drain tube holder

FM2400RH SERVICE PARTS

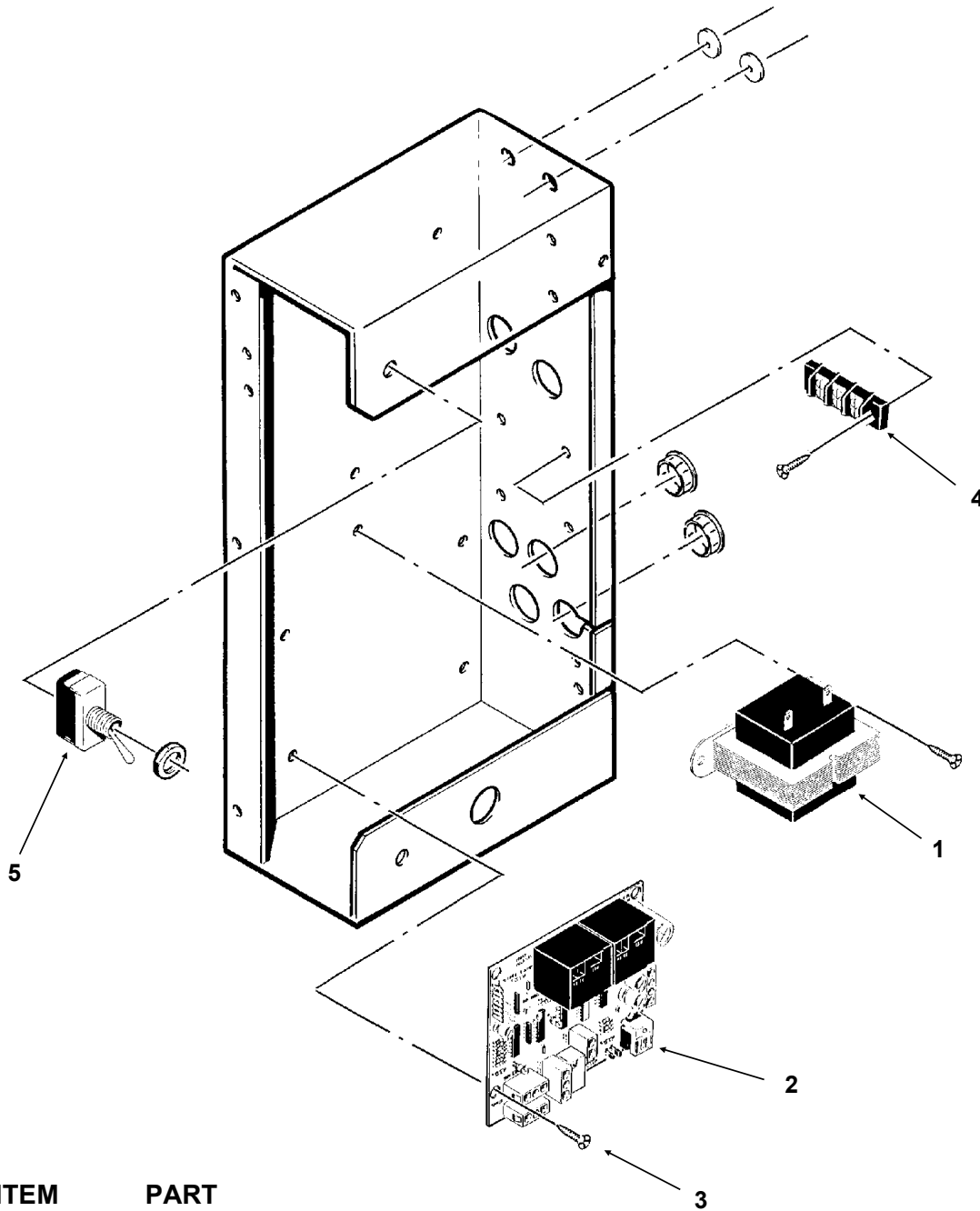
Gearmotor



ITEM NUMBER	PART NUMBER	DESCRIPTION
1.	A32898-020	Centrifugal Switch GE PSC
	12-2430-24	Centrifugal switch, Emerson
	12-2430-44	Start switch, GE split phase
2.	12-2430-22	Drive Motor 208-230 v
3.	12-2314-22	Capacitor GE PSC only
4.	12-1741-29	Bearing - GE PSC
	12-2430-29	Bearing - Emerson
	12-2430-49	Bearing, GE split phase
5.	A32379-028	Motor shaft seal
6.	A32379-024	First Gear & Bearing
7.	A32379-023	2nd Gear & Bearing
8.	A32379-021	Gasket
9.	A32379-020	Gear Case
10.	A32379-027	Oil, 1 Container
11.	A32379-022	Gearcase Cover*
12.	A32379-026	Bolt
13.	A32379-029	Seal, Output
14.	13-0868-01	Water Shed.
15.	A33220-022	Complete Gearmotor Assembly. 208-230 v.

FM2400RH SERVICE PARTS

Control Box



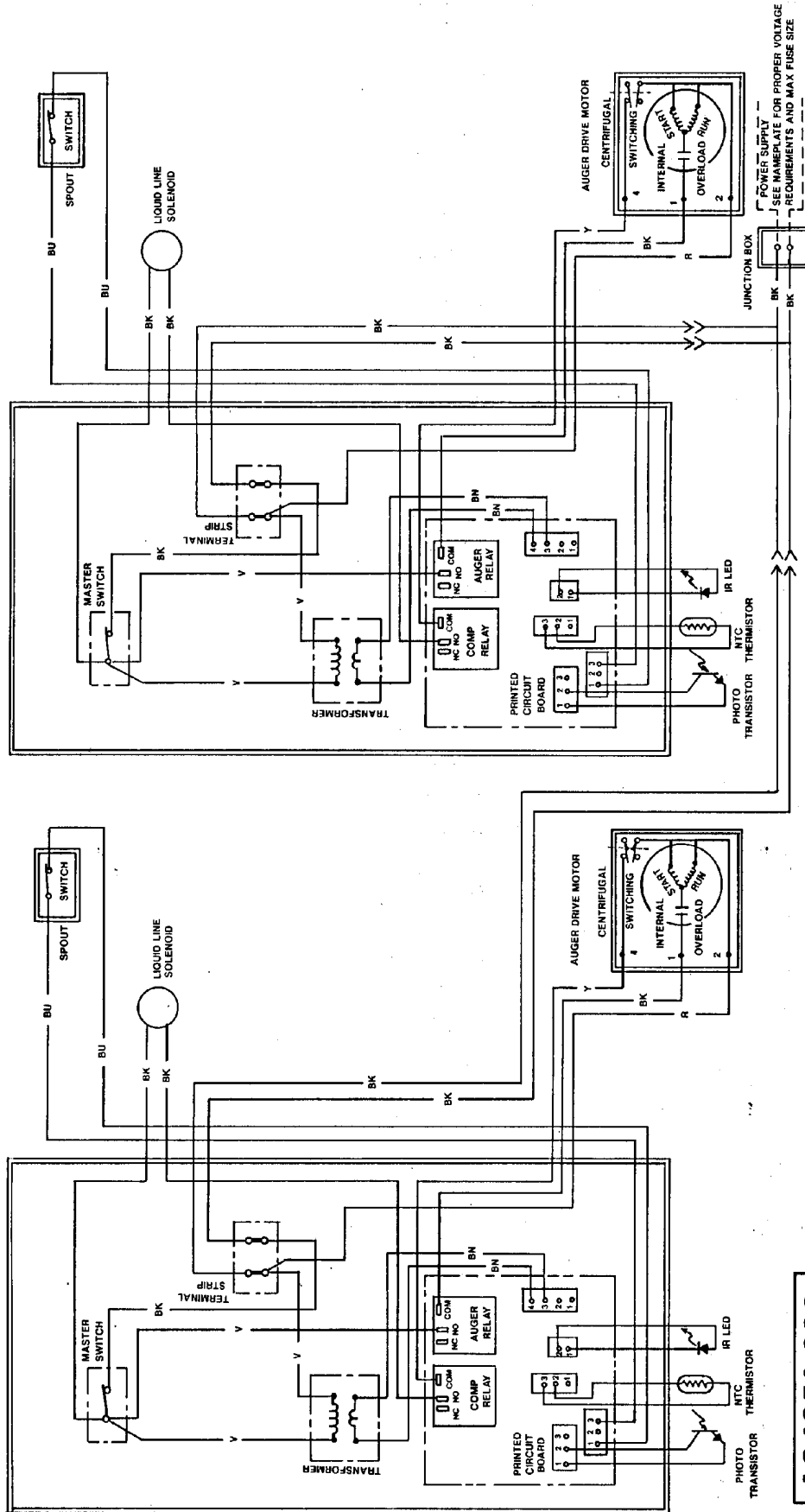
ITEM NUMBER	PART NUMBER	DESCRIPTION
1	12-2285-22	Transformer
2	A37750-021	Circuit Board
3	12-2350-01	Stand off
4	12-0813-04	Terminal Strip
5	12-0426-01	Master Switch

Not Illustrated:

6	12-2337-03	Wire Harness to spout switch
7	12-2340-01	Wire harness to transformer
8	A34055-001	Control Box Cover

FM2400RH SERVICE PARTS

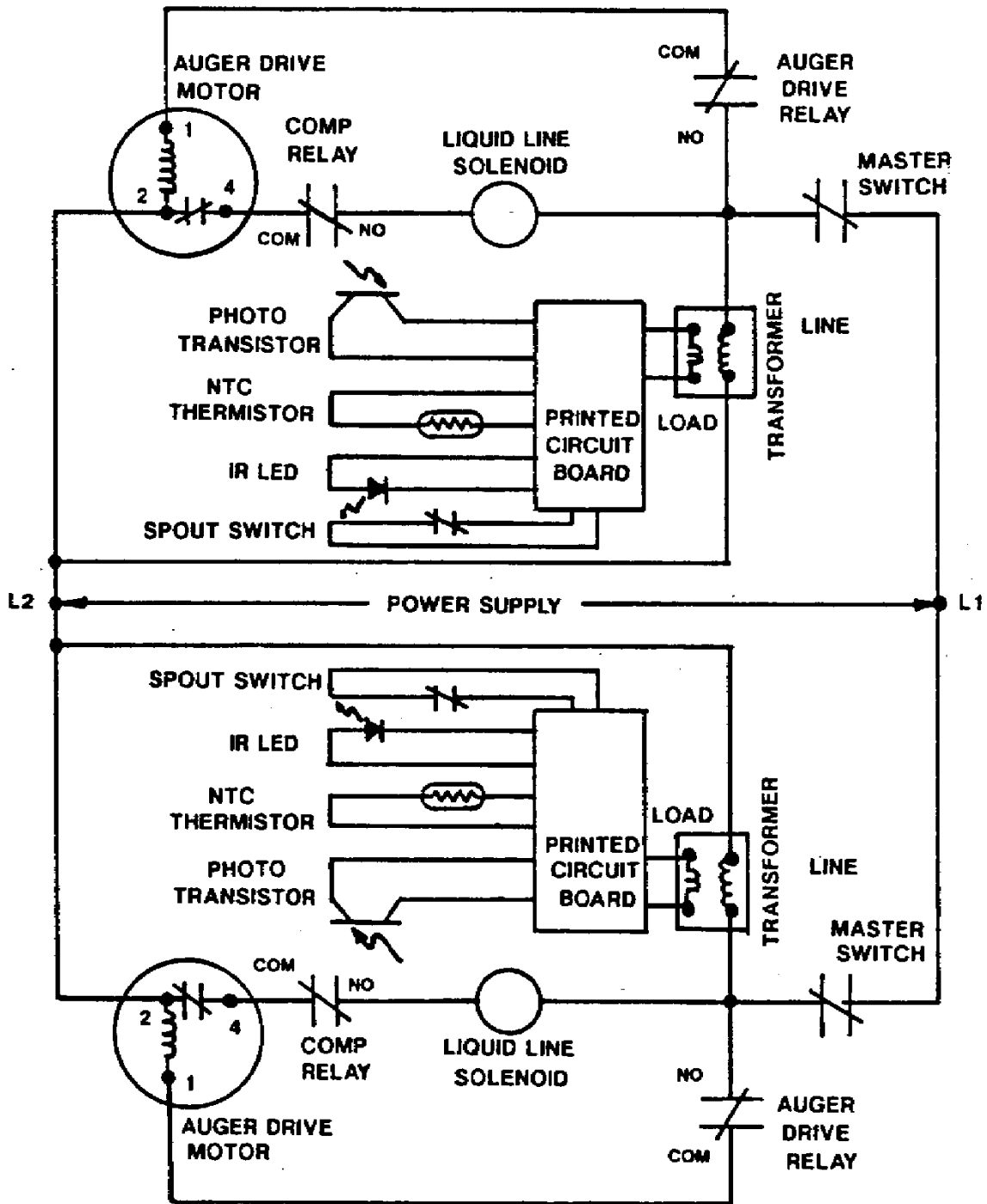
A Model Wiring Diagram



A34350-032

FM2400RH SERVICE PARTS

A Model Schematic Diagram



USE COPPER CONDUCTORS ONLY

NOTE: DASHED LINES INDICATE FIELD WIRING WHICH MUST BE INSTALLED
IN ACCORDANCE WITH THE NATIONAL ELECTRICAL CODE USING A
MINIMUM OF 14 GA. AWG WIRE

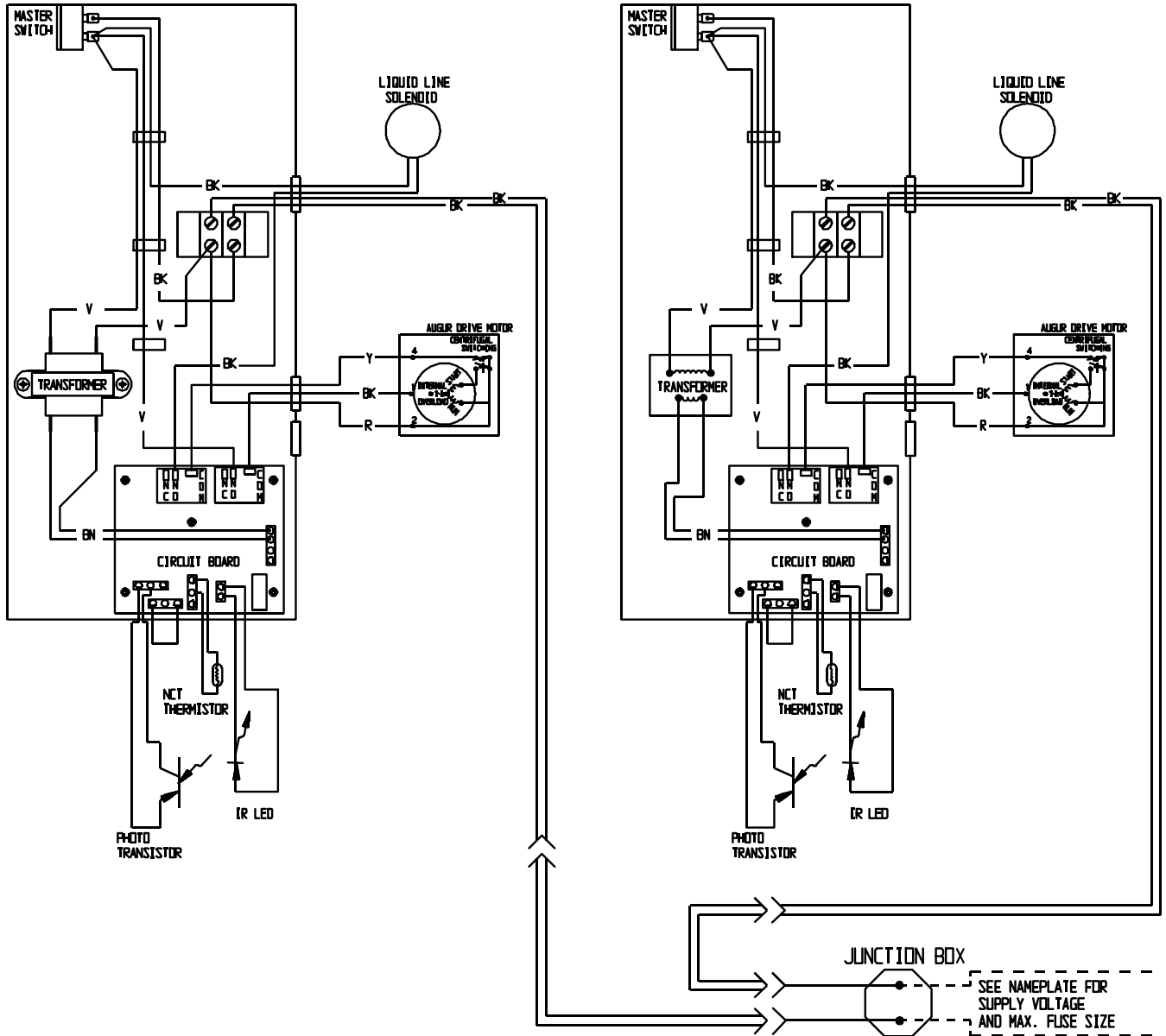
ALL CONTROLS SHOWN IN NORMAL ICE MAKING MODE

THIS UNIT MUST BE GROUNDED

FM2400RH SERVICE PARTS

FM2400RH-32B Wiring Diagram

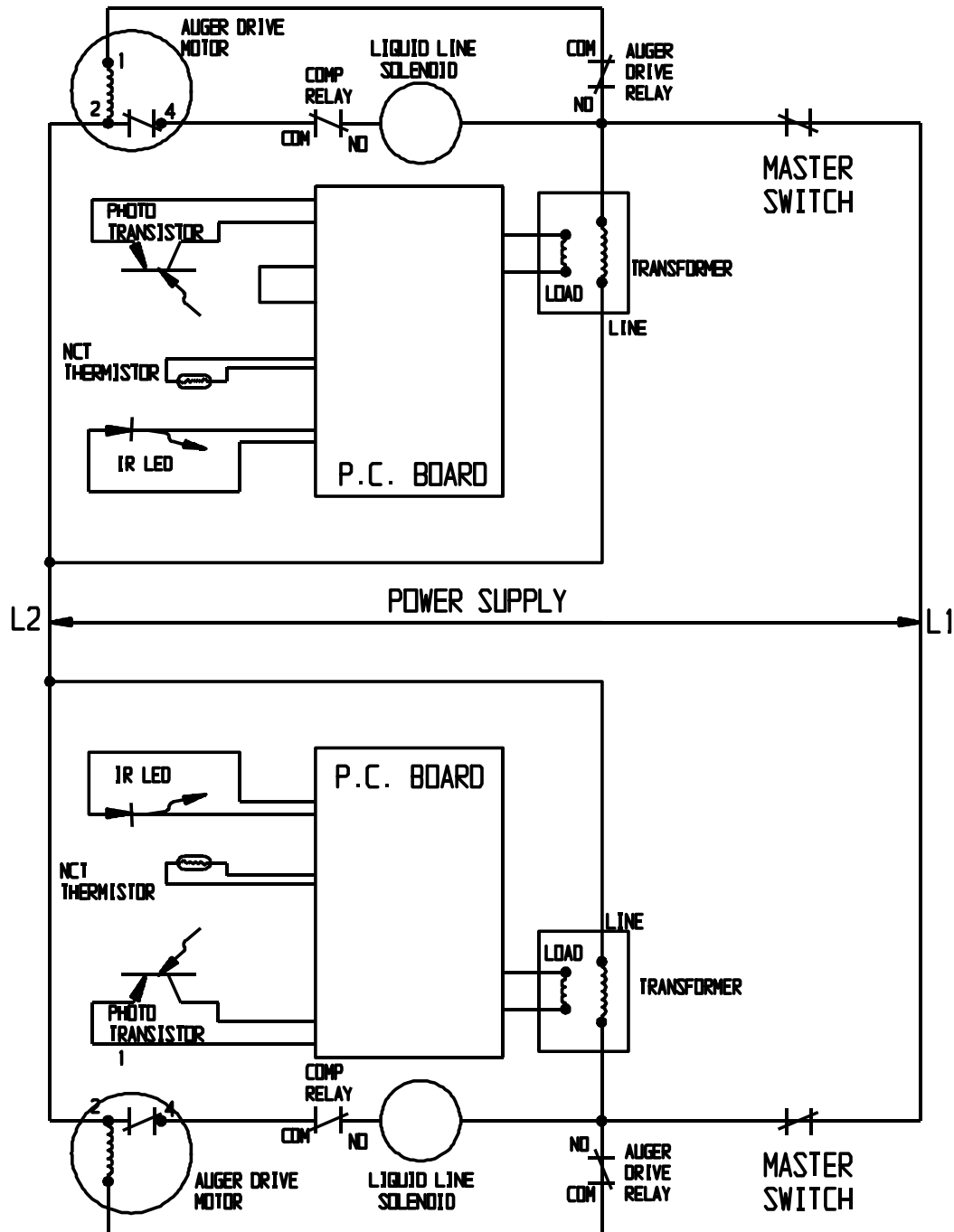
A36465-032



FM2400RH SERVICE PARTS

FM2400RH-32B Schematic Diagram

USE COPPER CONDUCTORS ONLY
 THIS UNIT MUST BE GROUNDED
 ALL CONTROLS SHOWN IN NORMAL ICE MAKING MODE



NOTE: DASHED LINES INDICATE FIELD WIRING WHICH MUST BE INSTALLED IN ACCORDANCE WITH THE NATIONAL ELECTRICAL CODE USING A MINIMUM OF 14 GAUGE AWG WIRE