

# C0330, C0530, C0630, C0830, C1030 Service Parts

This part list contains the service parts for the air cooled, water cooled and remote air cooled C0330, C0530, C0630, C0830, C1030 ice machines.

There was a change to panels and the C0530 air cooled condenser in late 2009. Those are designated as B series units.

Top panel trim strips were removed from production in mid 2011.

The C0530 changed to a C series in May 2011. The change was to a new compressor and TXV.

The C0330 changed to a C series in December, 2011, it uses the same compressor as C0530 C.

Models CB0330, CB0530, CB0630, CB0830 and CB1030 include as standard equipment the KVS and KSBU-N,

To avoid costly and time consuming errors, double check the model and voltage before ordering a part.

Note: These abbreviations are used in this list:

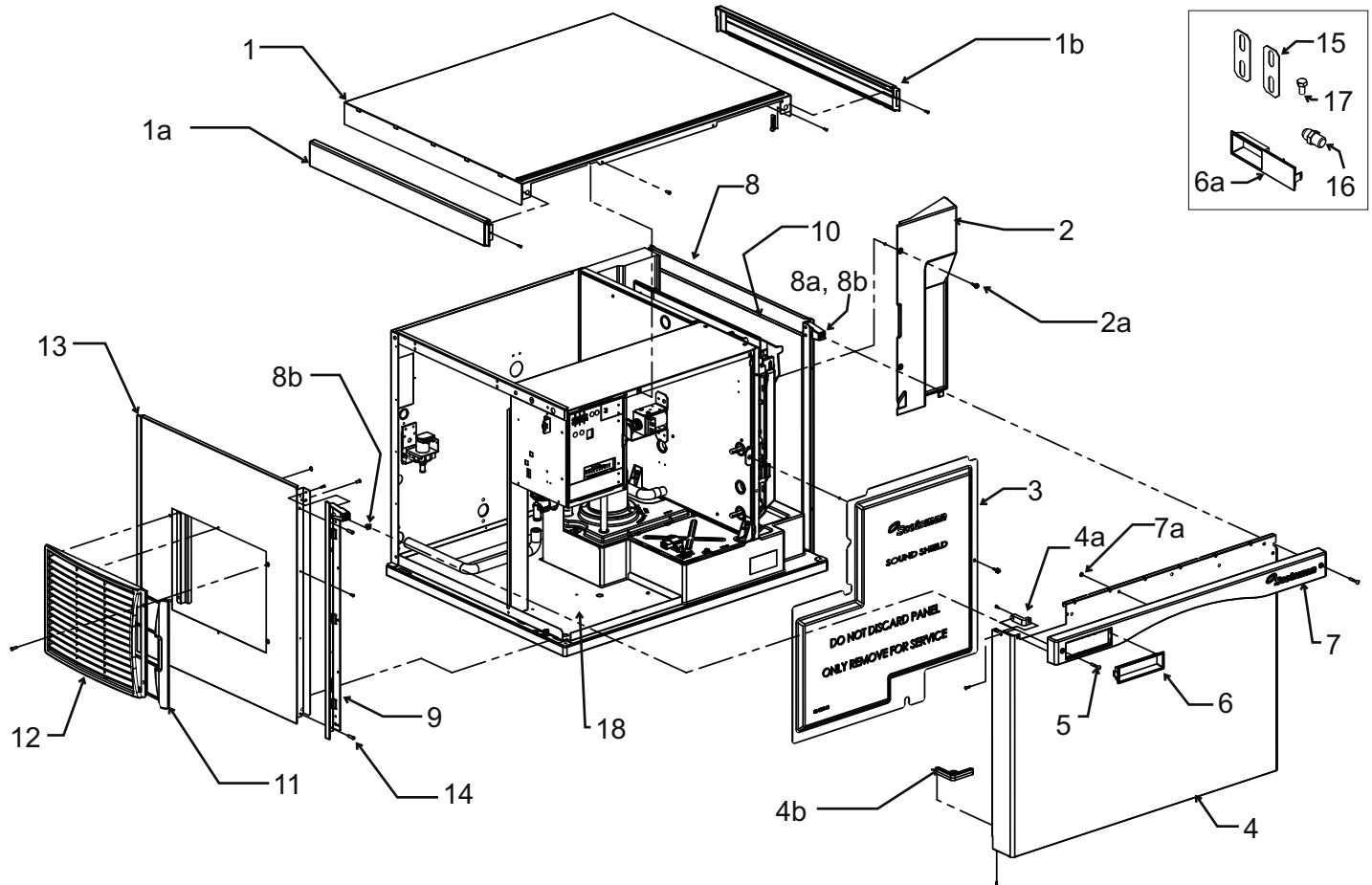
- AC = Air Cooled
- WC = Water Cooled
- RC = Remote Cooled
- HGV = Hot Gas Valve
- TXV = Thermostatic Expansion Valve
- Volt = Voltage
- Sol Vlv = Solenoid Valve
- Hdwe = Hardware

## Table of Contents

Cabinet - C0330, C0530, C0630 - <u>A Series</u> . . . . .	Page 2
Cabinet - C or CB 0330, 0530, 0630 - <u>B Series or C Series</u> . . . . .	Page 3
Cabinet - C0830, C1030 - <u>A Series</u> . . . . .	Page 4
Cabinet - C or CB 0830, 1030 - <u>B Series</u> . . . . .	Page 5
Interior Parts . . . . .	Page 6
Evaporator Compartment . . . . .	Page 7
Air Cooled Refrigeration System . . . . .	Page 8
Air Cooled Mechanical & Electrical - C or CB 0330 . . . . .	Page 9
Air Cooled Mechanical & Electrical - C or CB 0530, 0630, 0830, 1030 . . . . .	Page 10
Water Cooled Refrigeration System . . . . .	Page 11
Remote Refrigeration System . . . . .	Page 12
Electrical & Control Box . . . . .	Page 13
Compressors . . . . .	Page 14
Compressor Mounting Hardware . . . . .	Page 14
Crankcase Heaters . . . . .	Page 14
Remote Condenser, ERC111, ERC211, and ERC311 . . . . .	Page 15

# C0330, C0530, C0630, C0830, C1030 Service Parts

## Cabinet - C0330, C0530, C0630 - A Series

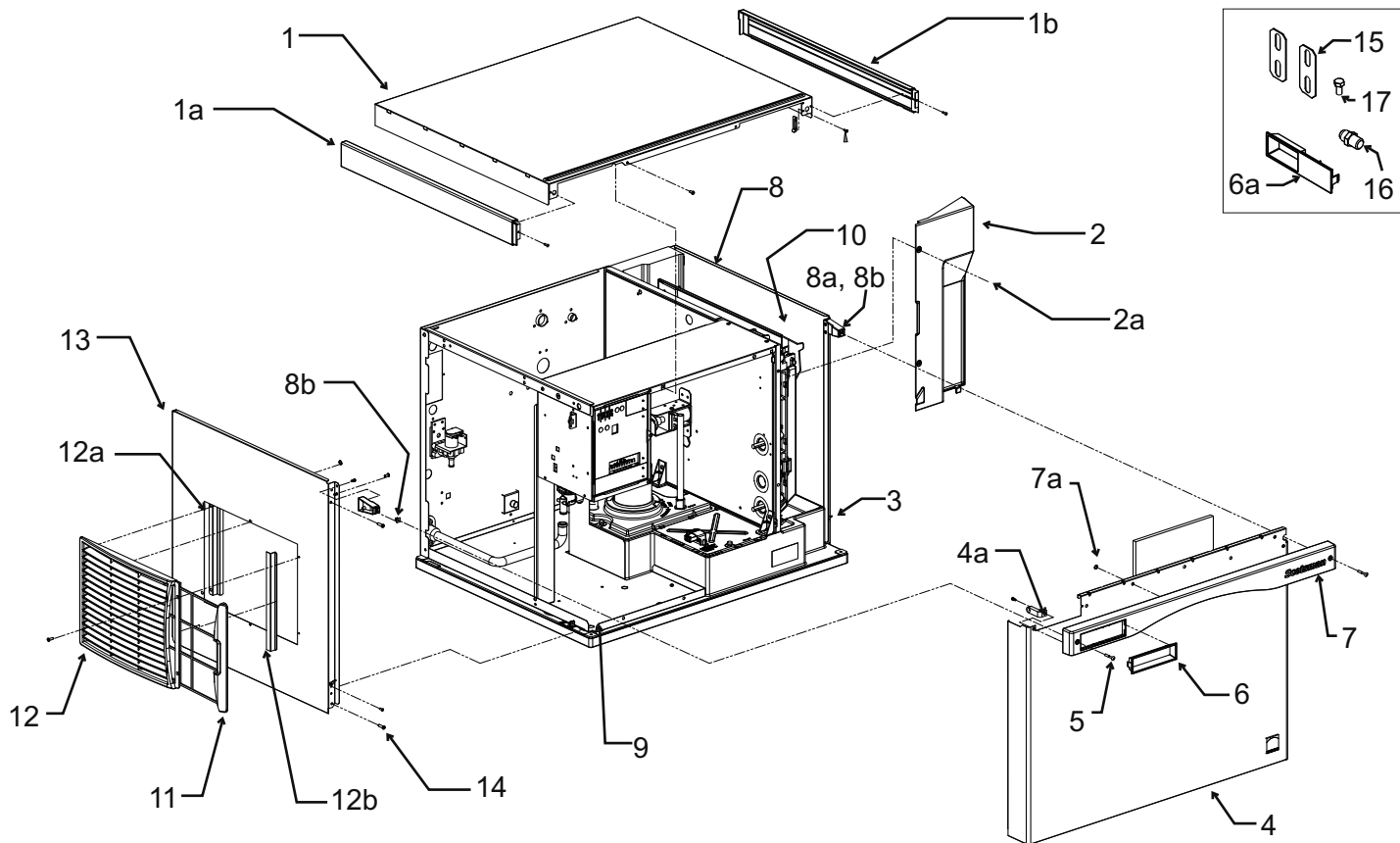


Item Number	Part Number	Description	Item Number	Part Number	Description
1*	A38941-022	Top panel, w/trim strips	8a	02-4215-01	Receptacle
1a	02-4221-01	Left trim strip	8b	03-3804-01	Screw receptacle
1b	02-4221-02	Right trim strip	9	02-4067-01	Side panel support for water cooled and remote models
2	02-4240-01	Evaporator cover		02-4067-02	Side panel support for air cooled models
2a	03-0727-05	Screw	10	02-4336-01	Right side panel liner
3	02-4218-01	Sound shield - use discontinued late 2008	11	02-4212-01	Air filter
4*	A38552-022	Front panel assembly, includes trim strip, gussets and labels.	12	02-4224-01	Louver panel
4a	02-4216-01	Top gusset	12a	A39222-001	Filter guide
4b	02-4217-01	Bottom gusset	12b	A39238-001	Louver bracket
5	03-1735-03	Screw, front panel	13*	A38551-021	Left side panel, AC
6	02-4284-01	Bezel, full window		A38551-022	Left side panel WC, RC
6a	02-4284-02	Bezel, partial window	14	03-1404-12	Screw
7	02-4214-02	Trim strip	15	A30911-015	Machine straps
7a	03-1731-02	Push nut	16	16-0355-00	Inlet water fitting, flare
8*	A38553-021	Right side panel assy	17	03-1405-15	Screw
			18	A38608-001	Compressor deck

\*Note: All panels supplied complete as used on unit

# C0330, C0530, C0630, C0830, C1030 Service Parts

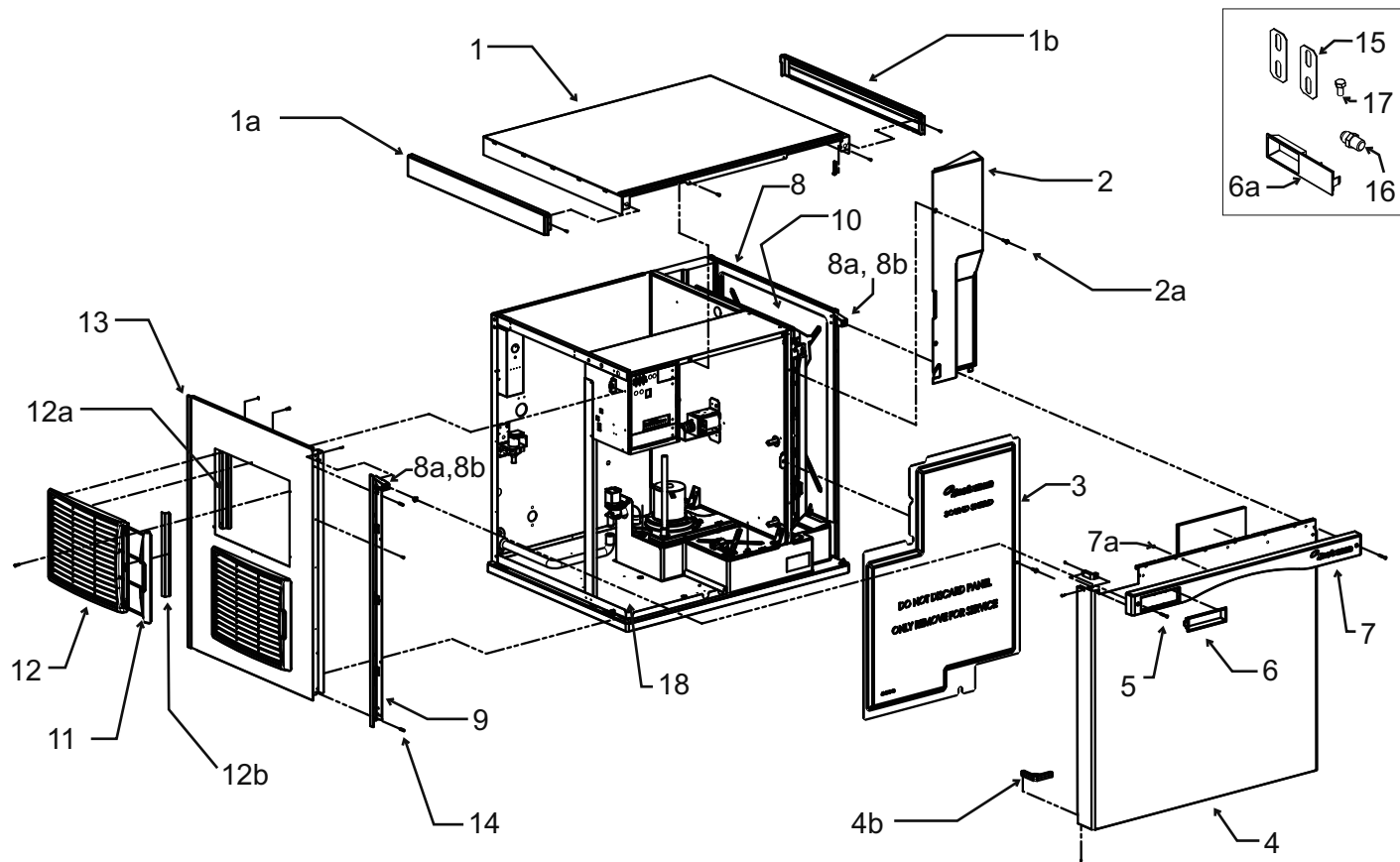
## Cabinet - C or CB 0330, 0530, 0630 - B or C Series



Item Number	Part Number	Description	Item Number	Part Number	Description
1	A39579-022	Top panel	8b	03-3804-01	Screw receptacle
1a	02-4221-01	Left trim strip**	9	A38608-001	Compressor deck
1b	02-4221-02	Right trim strip**	10	02-4336-01	Right side panel liner
2	02-4240-01	Evaporator cover	11	02-4212-01	Air filter
2a	03-0727-05	Screw	12	02-4224-01	Louver panel
3	A39571-001	Side panel clip	12a	A39222-001	Filter guide
4*	A39578-022	Front panel assembly, includes trim strip, gussets and labels.	12b	A39238-001	Louver bracket
4a	02-4216-01	Top gusset	13*	A39580-021	Left side panel, AC
5	03-1735-03	Screw, front panel		A39580-022	Left side panel WC, RC
6	02-4284-01	Bezel, full window	14	03-1404-12	Screw
6a	02-4284-02	Bezel, partial window***	15	A30911-015	Machine straps
7	02-4214-02	Trim strip	16	16-0355-00	Inlet water fitting, flare***
7a	03-1731-02	Push nut	17	03-1405-15	Screw
8*	A39581-021	Right side panel assy	*Note: All panels supplied complete as used on unit, except top panels do not have trim strips.		
8a	02-4215-01	Receptacle	** Trim strips discontinued mid 2011		
			*** Bezel and fitting discontinued from production 2/8/2012.		

# C0330, C0530, C0630, C0830, C1030 Service Parts

## Cabinet - C0830, C1030 - A Series

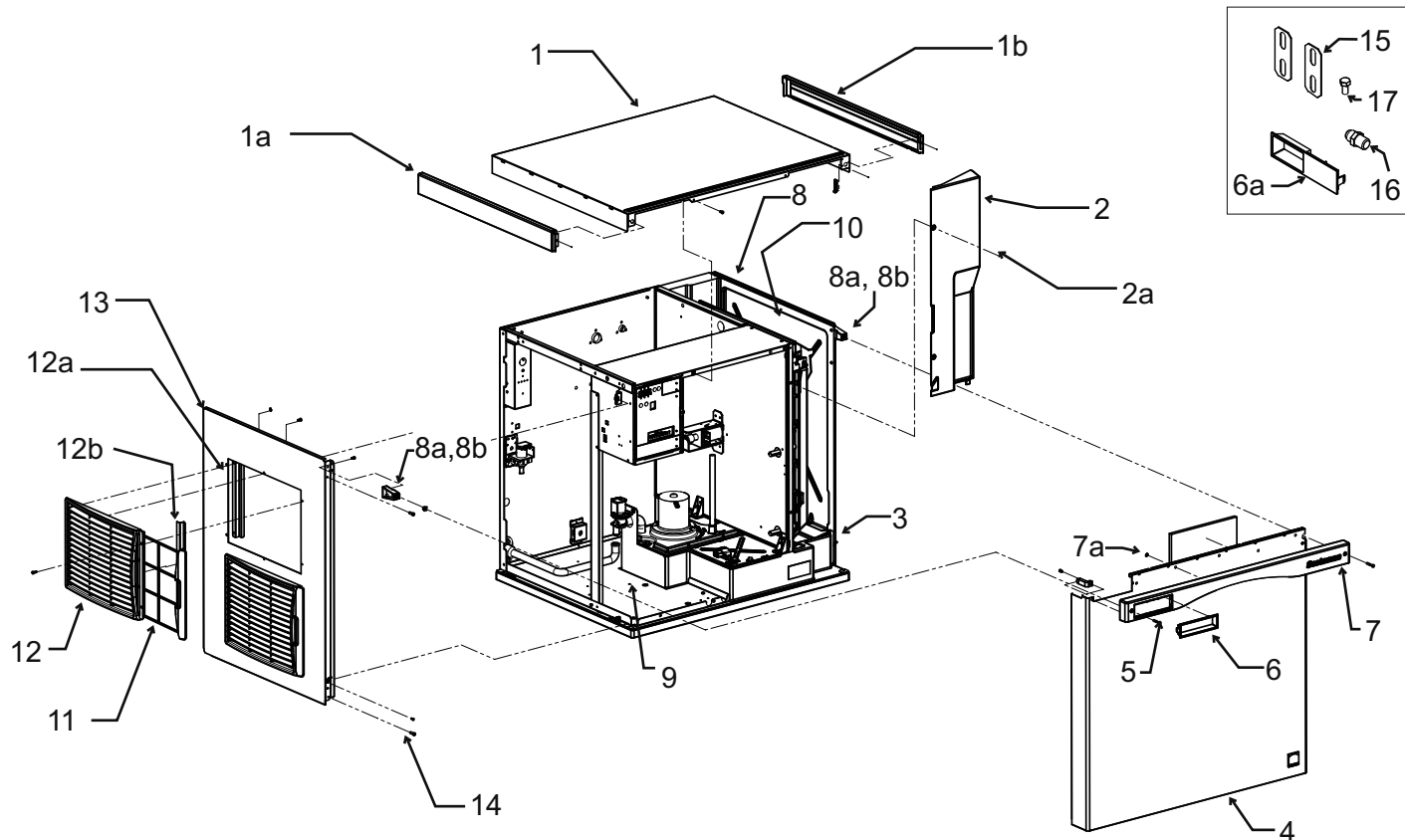


Item Number	Part Number	Description
1*	A38941-022	Top panel, w/trim strips
1a	02-4221-01	Left trim strip
1b	02-4221-02	Right trim strip
2	02-4240-02	Evaporator cover
2a	03-0727-05	Screw
3	02-4218-02	Sound shield - use discontinued late 2008
4*	A38552-023	Front panel assembly, includes trim strip, gussets and labels.
4a	02-4216-01	Top gusset
4b	02-4217-01	Bottom gusset
5	03-1735-03	Screw, front panel
6	02-4284-01	Bezel, full window
6a	02-4284-02	Bezel, partial window
7	02-4214-02	Trim strip
	03-1731-02	Push nut
8*	A38553-022	Right side panel assy
8a	02-4215-01	Receptacle
8b	03-3804-01	Screw receptacle
9	02-4067-03	Side panel support for water cooled and remote models
	02-4067-04	Side panel support for air cooled models
10	02-4336-02	Right side panel liner
11	02-4212-01	Air filter
12	02-4224-01	Louver panel
12a	A39222-001	Filter guide
12b	A39238-001	Louver bracket
13*	A38551-023	Left side panel, AC
	A38551-024	Left side panel WC, RC
14	03-1404-12	Screw
15	A30911-015	Machine straps
16	16-0355-00	Inlet water fitting, flare
17	03-1405-15	Screw
18	A38611-001	Compressor deck

\*Note: All panels supplied complete as used on unit.

# C0330, C0530, C0630, C0830, C1030 Service Parts

## Cabinet - C or CB 0830, 1030 - B Series



Item Number	Part Number	Description	Part Number	Description
1	A39579-022	Top panel	8b	03-3804-01 Screw receptacle
1a	02-4221-01	Left trim strip**	9	A38611-001 Compressor deck
1b	02-4221-02	Right trim strip**	10	02-4336-02 Right side panel liner
2	02-4240-02	Evaporator cover	11	02-4212-01 Air filter
2a	03-0727-05	Screw	12	02-4224-01 Louver panel
3	A39571-001	Side panel clip	12a	A39222-001 Filter guide
4*	A39578-023	Front panel assembly, includes trim strip, gussets and labels.	12b	A39238-001 Louver bracket
4a	02-4216-01	Top gusset	13*	A39580-023 Left side panel, AC
5	03-1735-03	Screw, front panel		A39580-024 Left side panel WC, RC
6	02-4284-01	Bezel, full window	14	03-1404-12 Screw
6a	02-4284-02	Bezel, partial window***	15	A30911-015 Machine straps
7	02-4214-02	Trim strip	16	16-0355-00 Inlet water fitting, flare***
	03-1731-02	Push nut	17	03-1405-15 Screw
8*	A39581-022	Right side panel assy		
8a	02-4215-01	Receptacle		

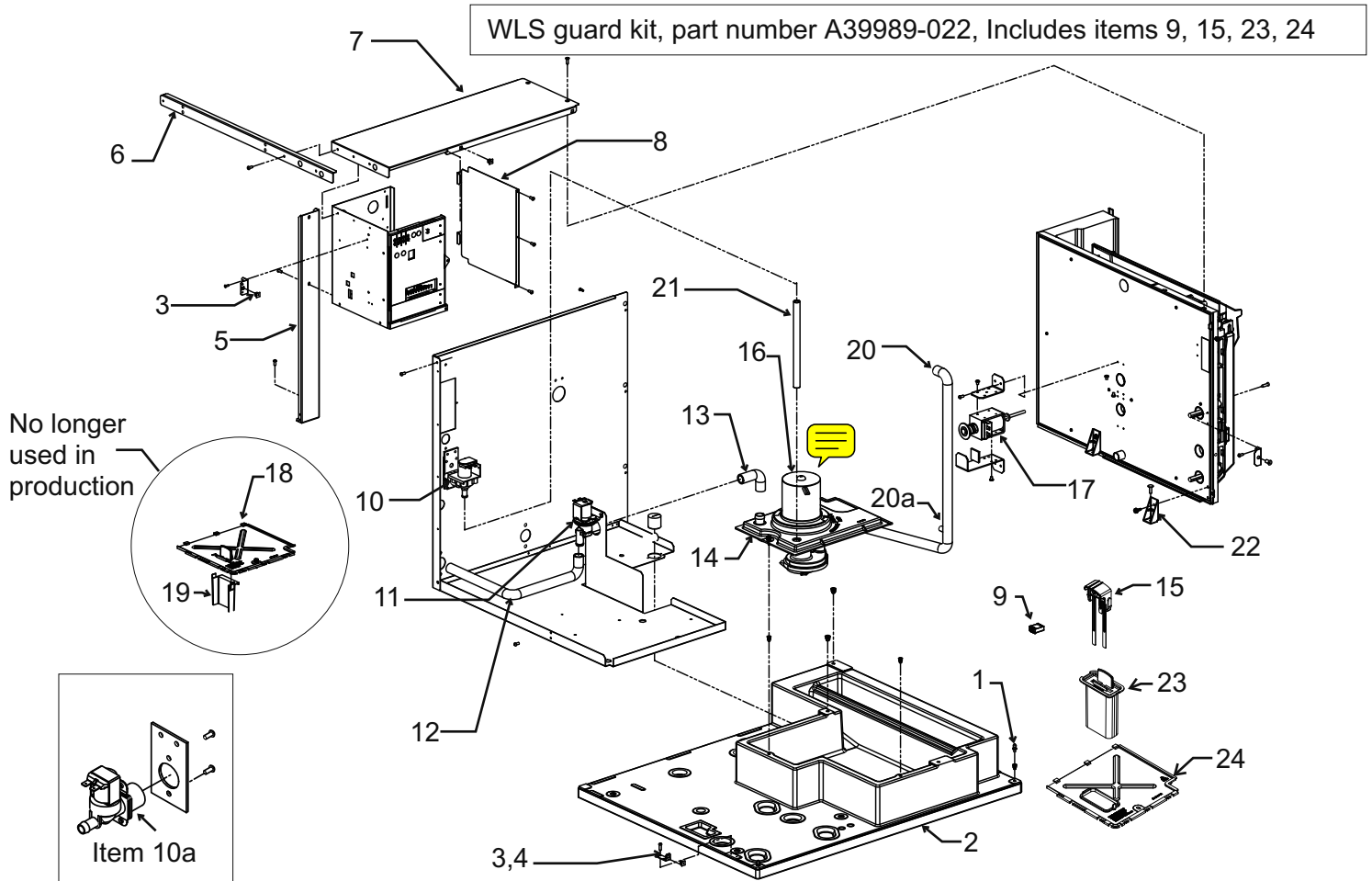
\*Note: All panels supplied complete as used on unit, except top panels do not have trim strips.

\*\* Trim strips discontinued mid 2011

\*\*\* Bezel and fitting discontinued from production 2/8/2012.

# C0330, C0530, C0630, C0830, C1030 Service Parts

## Interior Parts



Item Number	Part Number	Description
1	15-0411-00	Strike (A series)
2	A38589-002	Base, insulated
3	03-3804-01	Receptacle
4	A38732-001	Side panel mount
5	A38607-001	Strut, C or CB 0330-630
	A38629-001	Strut, C or CB 0830, C1030
6	A38582-001	Brace
7	A38539-002	Control box top
8	A38537-001	Control box side
9	see page 14 for WLS harness	
10	12-2922-01	Inlet water sol vlv, 115 volt
	12-2922-02	Inlet water sol vlv, 230 volt
	12-2912-01	Water valve rebuild kit
10a	11-0568-02	Inlet water sol vlv, CE mod
11	11-0564-01	Purge valve, 115 volt
	11-0564-02	Purge valve, 230 volt
12	A38860-002	Drain tube
13	A38860-001	Drain hose
14	02-4164-01	Water pump bracket
15	A39030-021	Water level sensor

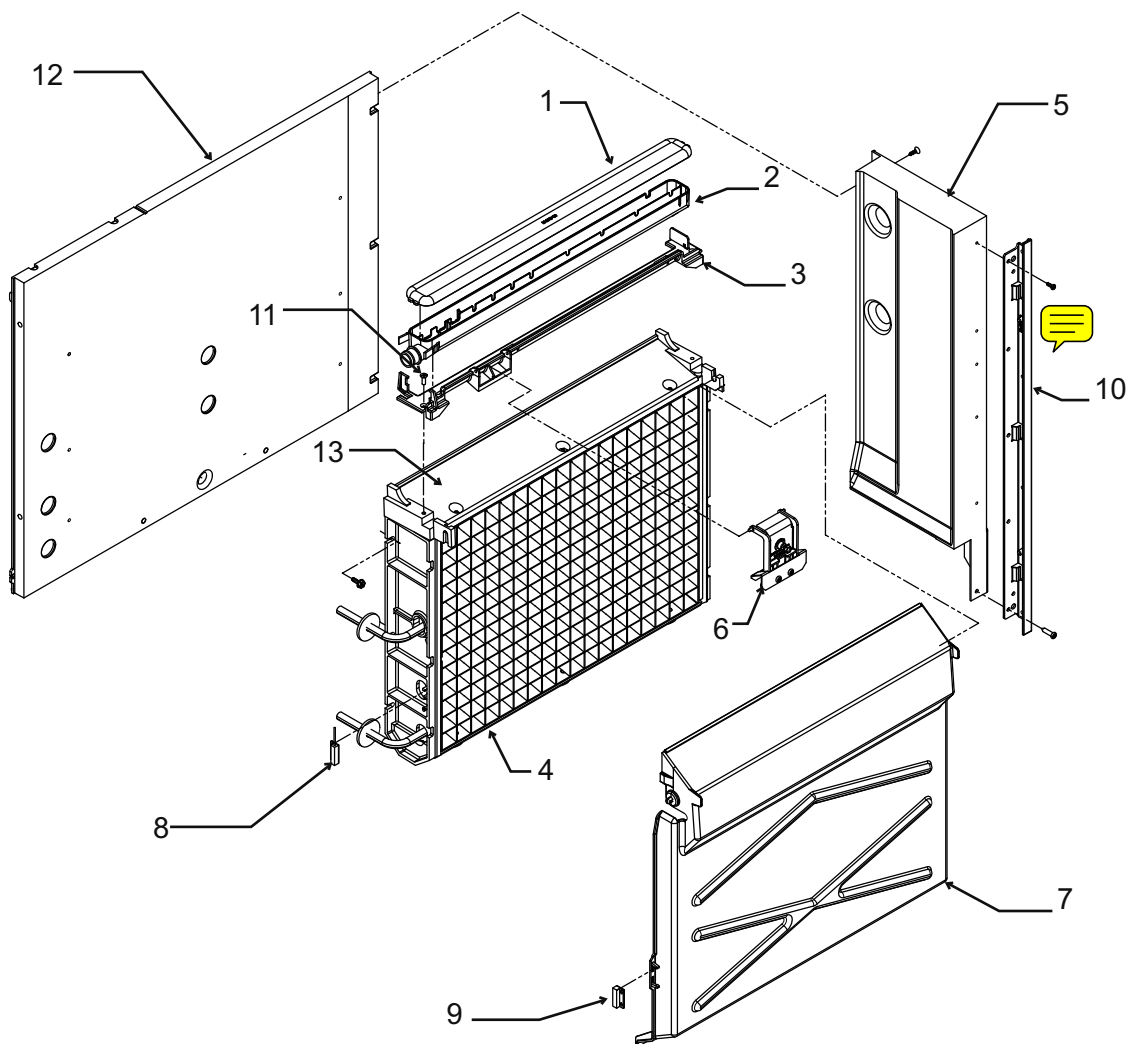
16	see table	Water pumps	
Pumps	115	208-230/60	208-230/50
C or CB 0330, 0530	12-2919-21	12-2919-22	12-2919-26
C or CB 0630	-	12-2919-22	12-2919-26
C or CB 0830, 1030	-	12-2920-23	12-2920-25

17	see table	Harvest assist solenoid	
Hvst. solenoids	115	208-230	
C or CB 0330, C0530	12-3035-21	12-3035-22	
C or CB 0630	-	12-3035-22	
C or CB 0830, 1030	-	12-3036-22	

18	02-4166-01	Reservoir cover (prior)
19	02-4332-01	Sensor cover (prior)
20	02-4154-03	Pump hose, C/CB0830-1030
	02-4154-02	Pump hose, C/CB0530-0630
	02-4154-01	Pump hose, C0330
20a	11-0515-21	Temp sensor set
21	13-0674-02	Fill hose order by ft
	15-0821-01	Fill hose, -6 CE models
22	02-4152-01	Gusset
23	02-4646-01	WLS guard, use/w item 24
24	02-4647-01	Sump cover, use/w item 23

# C0330, C0530, C0630, C0830, C1030 Service Parts

## Evaporator Compartment

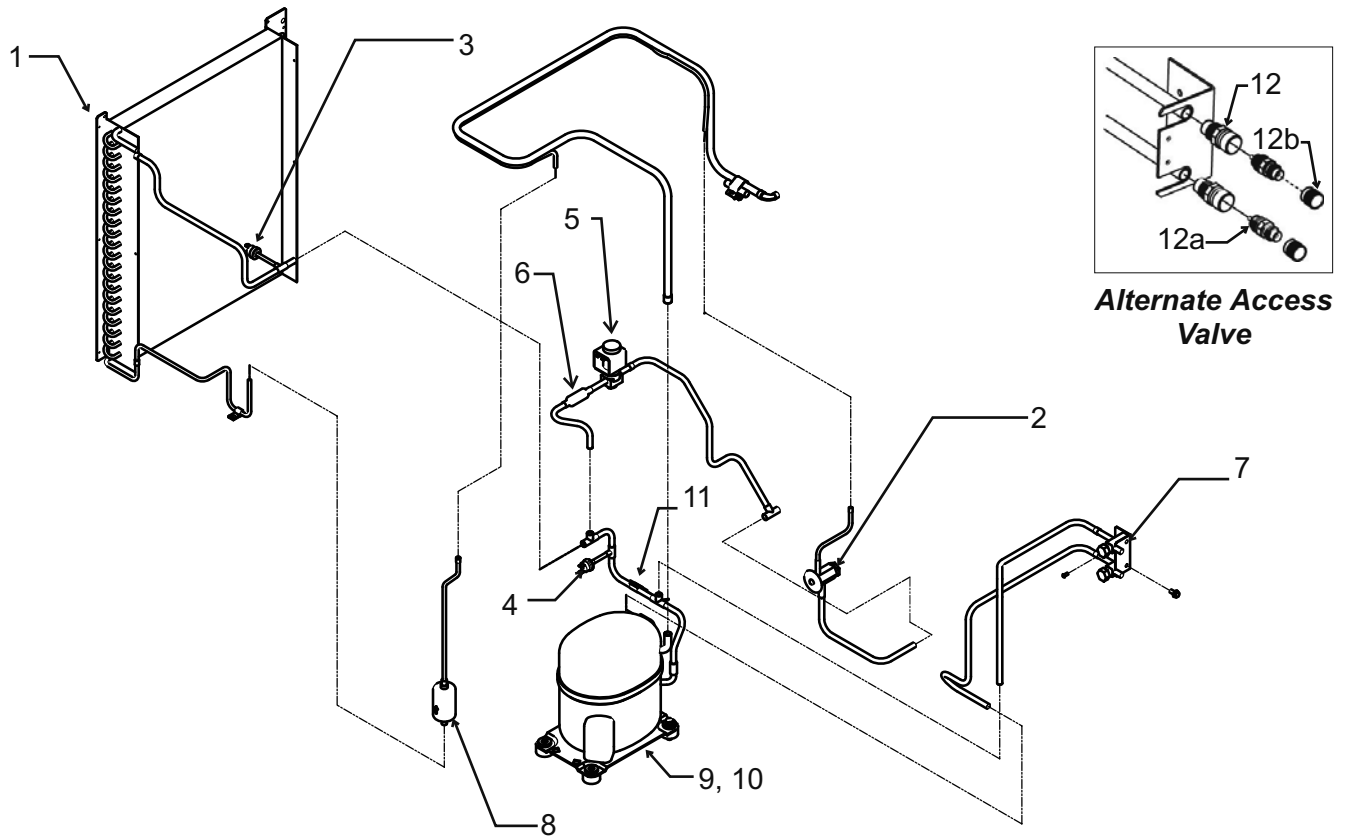


Item Number	Part Number	Description
1	02-4065-01	Water distributor cover
2	02-4064-01	Water distributor
3	02-4205-01	Mounting bracket
4	see table	Evaporator
5	A38596-001	Back wall, C or CB 0330, 0530, 0630
6	A39031-021	Ice thickness sensor
7	02-4100-31	Curtain, C/CB 0330
	02-4100-32	Curtain, C/CB 0530, 0630
	02-4611-21	Curtain, C/CB 0830, 1030
8	11-0563-01	Curtain switch
9	11-0563-02	Curtain switch magnet
10	02-4067-01	Side panel support C0330, 0530, 0630 A series
	02-4067-03	Side panel support C0830, 1030 A series only
11	03-1418-30	Mounting screw
12	13-0943-01	Gasket tape
13	02-4156-21	Spillway replacement kit

Note: Item 7 includes item 9, shipped loose.

# C0330, C0530, C0630, C0830, C1030 Service Parts

## Air Cooled Refrigeration System

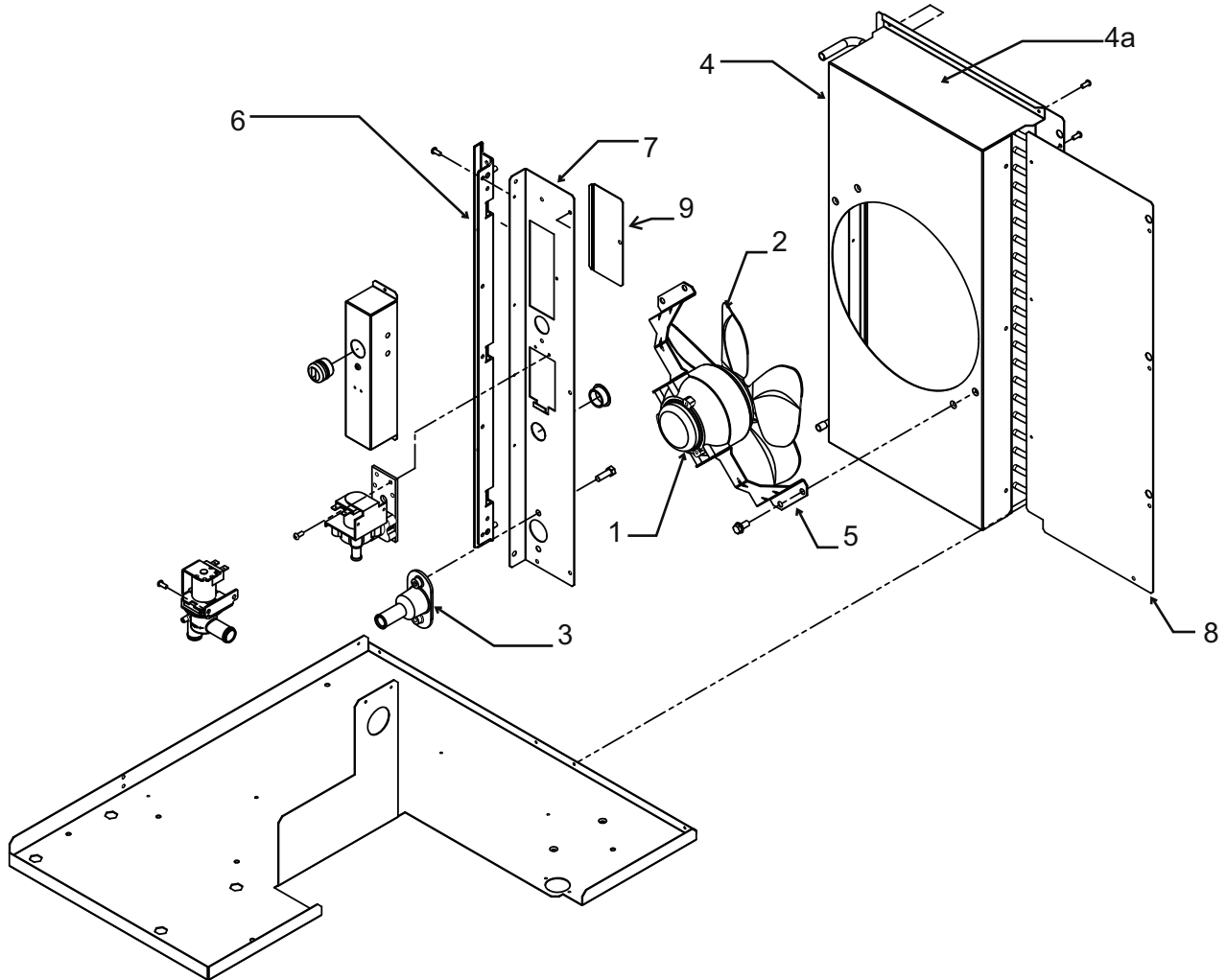


Item Number	Part Number	Description	Item Number	Part Number	Description
1	18-8890-01	Condenser, AC, C/CB 0330	5	11-0493-02	Hot gas valve, 115 volt
	18-8920-01	Cond, AC, C0530 - A series		12-2719-21	115 volt coil
	18-8935-01	Cond, AC, C/CB 0530 - B or C series		11-0493-01	Hot gas valve, 230 volt
	18-8896-01	Condenser, AC, C/CB 0630		12-2719-22	230 volt coil
	18-8895-01	Condenser, AC, C/CB 0830, 1030		12-2733-30	HGV rebuild kit
2	16-1182-02	TXV, C0530 A or B Series	6	16-1063-01	Strainer
	16-1184-01	TXV, C/CB0530 C series	7	16-0832-20	Access valve
	16-1182-01	TXV, C/CB0630		16-0832-03	Port cap
	16-1183-02	TXV, C/CB0330		16-0832-02	Stem cap
	16-1142-01	TXV, C/CB 0830, 1030	8	02-3319-01	Dryer C/CB 0330 thru 0630
	19-0599-06	Insulation, TXV		02-3319-02	Dryer, C/CB 0830 & 1030
3	11-0566-21	Fan cycle pressure sw.	9	see page 12	Compressors
4	11-0501-05	Hi pressure cut out, C or CB 0330, 0530 and 0630	10	see page 12	Compressor mounting hdw
			11	11-0515-21	Temp sensor set
			Use of alternate access valve began 4-08		
			12	16-1137-01	Valve body
			12a	16-1139-01	Core
			12b	16-1140-01	Cap



# C0330, C0530, C0630, C0830, C1030 Service Parts

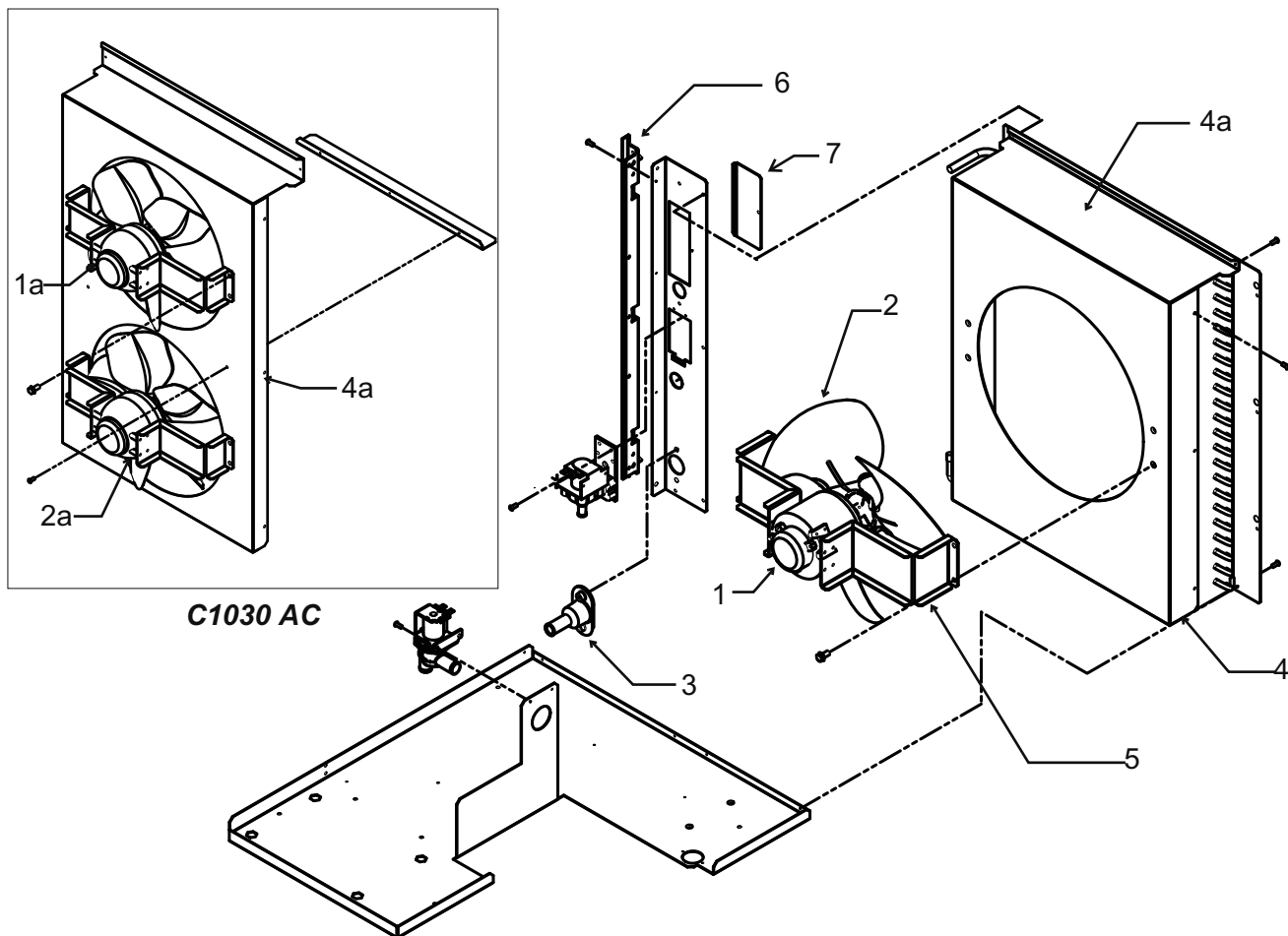
## Air Cooled Mechanical & Electrical - C or CB 0330



Item Number	Part Number	Description
1	12-1681-23	Fan motor, C or CB0330, 115 volt
	12-1681-04	Fan motor, C0330, 230 volt
2	18-8836-01	Fan blade, C or CB0330
3	02-3692-21	Drain adapter - also for WC and RC
4	A38841-001	Fan shroud, C0330 A Series
	A39350-001	Fan shroud, C or CB 0330 B or C Series
4a	A39593-001	Fan shroud top, B or C series
5	A38480-001	Fan motor bracket, C or CB 0330
6	02-4067-02	Side panel support, C or CB 0330, 0530, 0630
7	A38791-001	Utility channel, AC A series
	A39586-001	Utility channel, AC B or C series
8	A39606-001	Back panel, B or C series
9	A38548-002	Junction box cover

# C0330, C0530, C0630, C0830, C1030 Service Parts

## Air Cooled Mechanical & Electrical - C or CB 0530, 0630, 0830, 1030



Item	Description	C/CB 0530 115 volt	C/CB 530 - 230 volt or C/CB 630 or C/CB 830	C/CB 1030 60 Hz	C/CB1030 50 Hz	C0530, C0630	C/CB 0530, 0630	C/CB 0830	C1030	C/CB 1030
	Series	all	all*	all	all	A	B or 0530 C	B	A	B
1	Fan motor	18-8926-01	18-8927-01	18-8899-01	18-8899-06	-	-	-	-	-
2	Fan blade	18-8882-01		18-8900-01		-	-	-	-	-
3	Drain adapter	02-3692-21								
4	Fan shroud	-	A38868-001 *C0830 A series only	-	-	A38623-001	A39607-001	A39603-001	A38624-001	A39609-001
4a	Shroud top	-	-	-	-	-	A39608-001	A39601-001	-	A39610-001
5	Fan motor bracket	A38554-001		A38655-001		-	-	-	-	-

6 Side panel support, A series only.

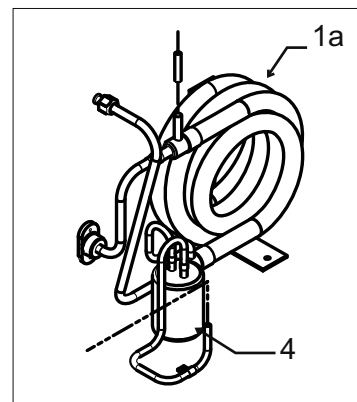
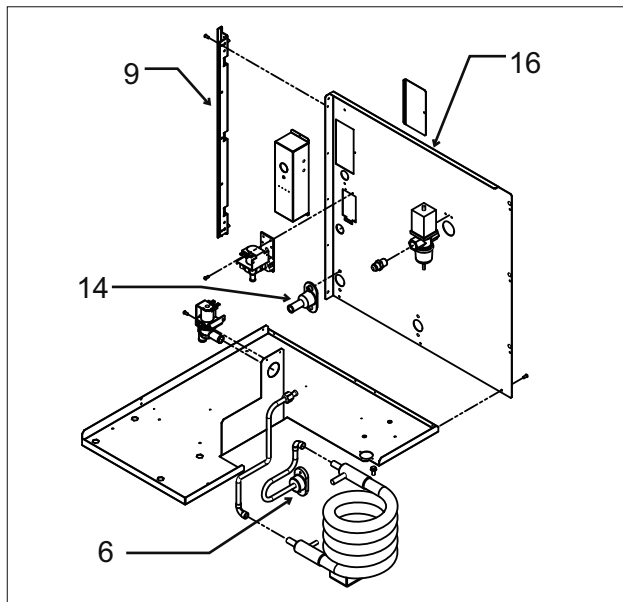
C0330, C0530 and C0630 02-4067-02

C0830, C1030 02-4067-04

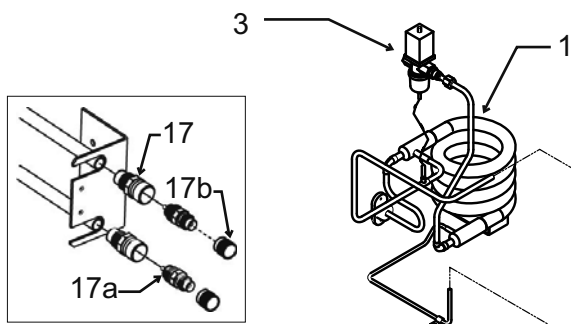
7 A38548-002 J box cover

# C0330, C0530, C0630, C0830, C1030 Service Parts

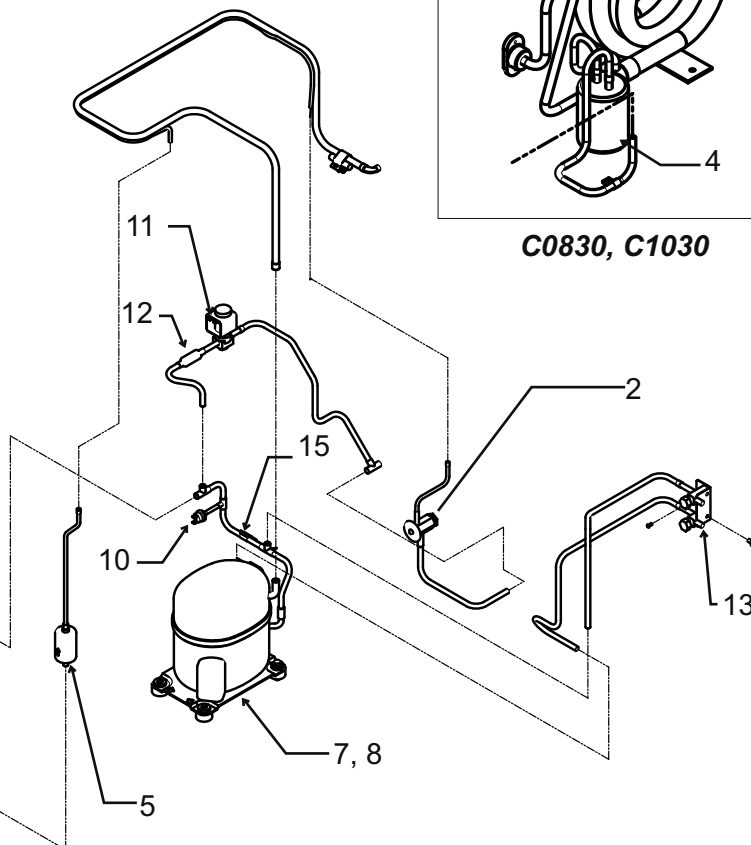
## Water Cooled Refrigeration System



C0830, C1030



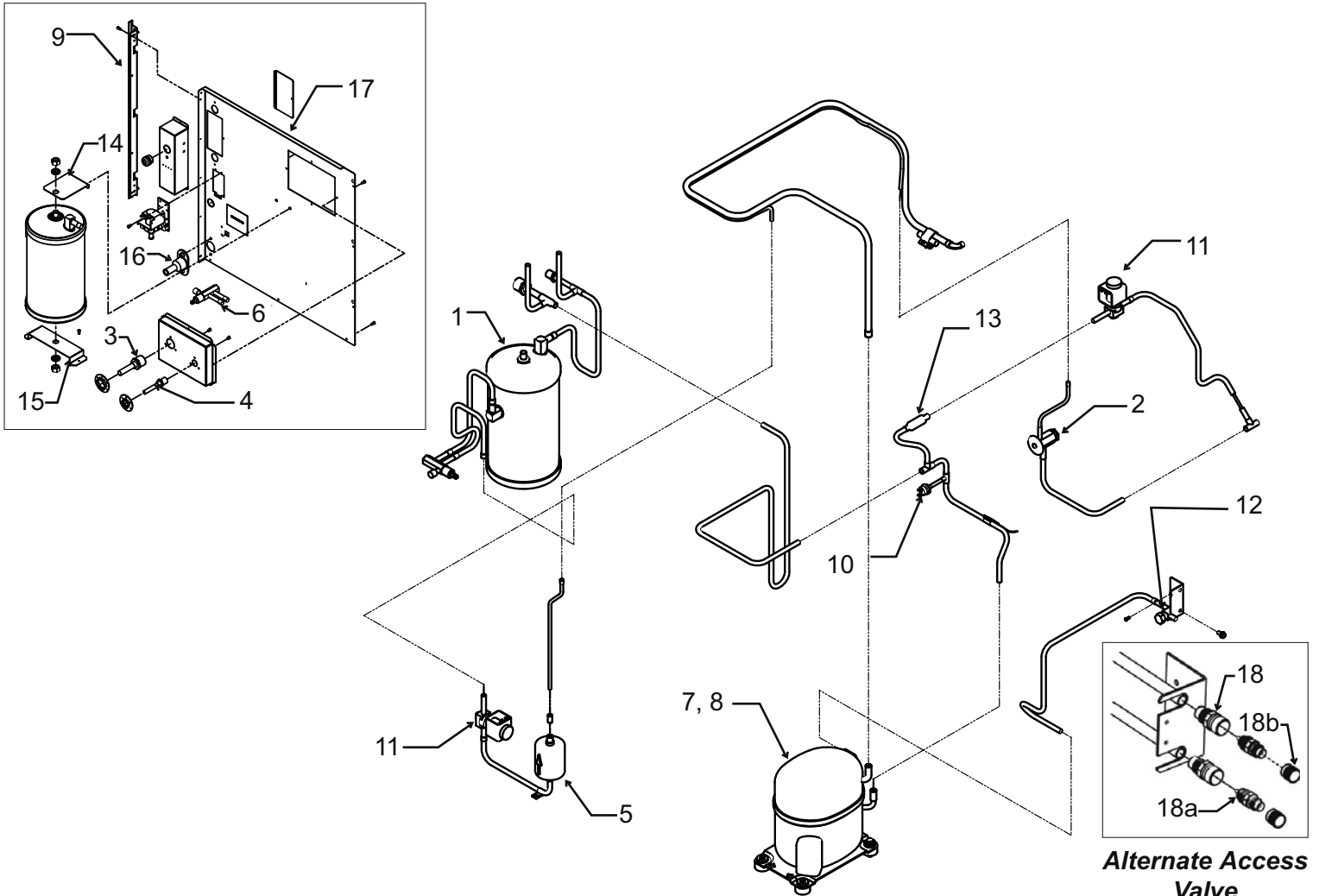
Alternate Access Valve



Item Number	Part Number	Description
1	18-8871-21	Condenser, WC, C0330, C0530, C0630, C0830
1a	18-8893-21	Condenser, WC, C1030
2	16-1182-02	TXV, C0530 A or B series
	16-1184-01	TXV, C0530 C series
	16-1182-01	TXV, C0630
	16-1183-02	TXV, C0330
	16-1142-01	TXV, C0830, C1030
	19-0599-06	Insulation TXV
3	11-0478-01	Water regulating valve
4	16-0874-01	Receiver, C0830, C1030
5	02-3319-01	Dryer, C0330 thru C0630
	02-3319-02	Dryer, C0830 - C1030
6	A31828-002	Condenser drain
7	see page 12	Compressors
8	see page 12	Compressor mounting hwd
9	02-4067-01	Side panel support, C0330, C0530, C0630 - A series only
10	11-0501-21	High pressure cut out
11	11-0493-02	Hot gas valve, 115 volt
	11-0493-01	Hot gas valve, 230 volt
	12-2719-22	230 volt coil
	12-2733-30	HGV rebuild kit
12	16-1063-01	Strainer
13	16-0832-20	Access valve
	16-0832-03	Port cap
	16-0832-02	Stem cap
14	02-3692-21	Drain adapter
15	11-0515-21	Temp sensor set
16	A38634-001	Back pnl, WC - A Series 23"
	A38625-001	Back pnl, WC - A Series 29"
	A39561-001	Bck pnl, WC - B/C series 23"
	A39573-001	Back pnl, WC - B Series 29"
17	16-1137-01	Valve body
17a	16-1139-01	Core
17b	16-1140-01	Cap

# C0330, C0530, C0630, C0830, C1030 Service Parts

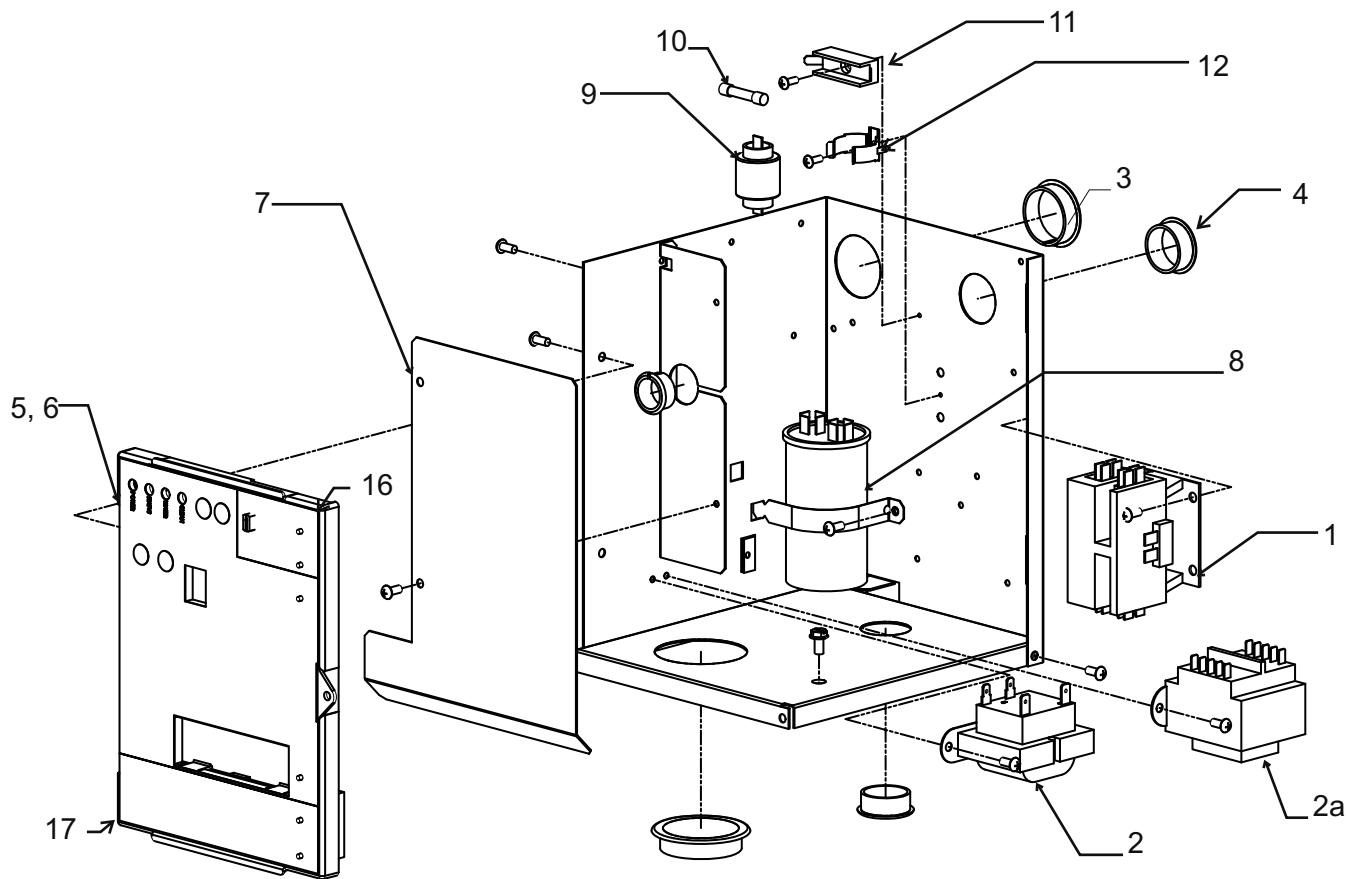
## Remote Refrigeration System



Item Number	Part Number	Description
1	16-1176-01	Receiver, C0530, C0630
	16-1175-01	Receiver, C0830, C1030
2	16-1182-02	TXV, C0530 A or B series
	16-1184-01	TXV, C0530 C series
	16-1182-01	TXV, C0630
	16-1142-01	TXV, C0830, C1030
	19-0599-06	Insulation, TXV
3	16-0850-01	Discharge quick connect
4	16-0850-03	Liquid quick connect
5	02-3319-02	Drier
6	16-1030-01	Liquid line access valve
7	see page 12	Compressors
8	see page 12	Compressor mounting hwd
8a	see page 12	Crankcase heater
9	02-4067-01	Side panel support, C0330, C0530, C0630 - A series
	02-4067-04	Side panel support, C0830, C1030 - A series
10	11-0501-22	High pressure cut out
11	11-0493-02	Liquid line vlv or HGV, 115 v
	11-0493-01	Liquid line vlv or HGV, 230 v
12	16-0832-20	Access valve
	16-0832-03	Port cap
	16-0832-02	Stem cap
13	16-1063-01	Strainer
14	A37211-001	Top receiver bracket
15	A37212-001	Bottom receiver bracket
16	02-3692-21	Drain adapter
17	A38664-001	Back pnl, RC - A series 23"
	A38665-001	Back pnl, RC - A series 29"
	A39561-001	Bck pnl, RC - B/C series 23"
	A39573-001	Back pnl, RC - B Series 29"
Use of alternate access valve began 4-08		
18	16-1137-01	Valve body
18a	16-1139-01	Core
18b	16-1140-01	Cap

# C0330, C0530, C0630, C0830, C1030 Service Parts

## Electrical & Control Box



Item Number	Part Number	Description
1	12-2469-03	Contactora, 115 volt
	12-2469-02	Contactora, 230, single ph
	12-2533-02	Contactora, three phase
2	12-2924-01	Transformer, 115 volt
	12-2924-02	Transformer, 230 volt
2a	12-2639-01	Transformer, 50 Hz
3	12-1213-11	Snap bushing
4	12-1213-15	Snap bushing
5	11-0550-28	Service controller, fits all Prodigy cubers
	11-0550-27	Service controller, for all but C0530C
6	02-4076-01	Control box door
	02-4189-01	Overlay label
7	A39216-001	Barrier
8		see next page Run capacitor
9		see next page PTCR -
10	12-2686-01	Fuse, 50 Hz only
11	12-2687-01	Fuse holder
12	18-8835-02	Bracket
<b>Wiring Harnesses (not illustrated)</b>		
13	12-2931-01	Power harness, A & W
	12-2931-02	Power harness, Remote
Power harness connects to J1 on controller		
14	12-2932-01	Hi voltage harness, A & W
	12-2933-01	Hi voltage harness, Rem
	12-2971-01	Hi voltage, 50 Hz A & W
Hi voltage harness has the 8 pin connector		
15	12-2928-01	WLS harness
16	KVS	Vari-smart ice level control
17	KSBU-N	Smart-Board

Items 16 and 17 standard on CB models.

# C0330, C0530, C0630, C0830, C1030 Service Parts

## Compressors

Model	Series	Electrical	Compressor	Overload	Run Capacitor	PTCR
C/CB 0330-1	A or B	115/60/1	18-8897-21	18-8897-23*	18-1902-53*	18-8835-01*
C0330-6	A or B	230/50	18-8897-26	18-8897-28*	18-1902-57*	18-8835-01*
C0330-32	A or B	208-230/60/1	18-8897-22	18-8897-27*	18-1902-57*	18-8835-01*
C/CB 0330-1	C	115/60/1	18-8948-21	18-8948-50*	18-1902-64*	18-8835-01*
C0330-6	C	230/50	18-8948-22	18-8948-51*	18-1902-65*	18-8835-01*
C0330-32	C	208-230/60/1	18-8948-23	18-8948-51*	18-1902-30*	18-8835-01*
C0530-1	A or B	115/60/1	18-8921-21	18-8921-23*	18-1902-45*	18-8835-01*
C0530-6	A or B	230/50	18-8921-26	18-8774-27*	18-1902-68*	18-8835-01*
C0530-32	A or B	208-230/60/1	18-8921-22	18-8774-28*	18-1902-52*	18-8835-01*
C/CB 0530-1	C	115/60/1	18-8948-21	18-8948-50*	18-1902-64*	18-8835-01*
C0530-6	C	230/50	18-8948-22	18-8948-51*	18-1902-65*	18-8835-01*
C0530-32	C	208-230/60/1	18-8948-23	18-8948-51*	18-1902-30*	18-8835-01*
C/CB 0630-32	A or B	208-230/60/1	18-8922-22	18-8922-27*	18-1902-57	18-8835-01
C0630-6	A or B	230/50	18-8922-26	internal	18-1902-71	18-8835-01
C/CB 0830-32	A or B	208-230/60/1	18-8813-23	internal	18-1902-53*	18-8835-01*
C0830-6	A or B	230/50	18-8813-27	internal	18-1902-69	18-8835-01
C0830-3	A or B	208-230/60/3	18-8813-25	internal	-	-
C/CB 1030-32	A or B	208-230/60/1	18-8726-23	internal	18-1902-53*	18-8835-01
C1030-6	A or B	230/50	18-8726-27	internal	18-1902-69	18-8835-01
C1030-3	A or B	208-230/60/3	18-8726-25	internal	-	-

## Compressor Mounting Hardware

Model	Series	Bolt	Washer	Grommet	Sleeve
C/CB 0330	A or B	03-1405-20	03-1407-07	18-4700-28	18-0108-41
C0530	A or B	03-1405-20	03-1407-07	18-4700-28	18-0108-41
C/CB 0330 or 0530	C	03-1405-20	03-1407-07	18-2200-28	18-2200-27
C/CB 0630	A or B	03-1405-20	03-1407-07	18-4700-28	18-0108-41
C/CB 0830 or 1030	A or B	03-1405-20	03-1407-07	18-2300-27	18-2300-26

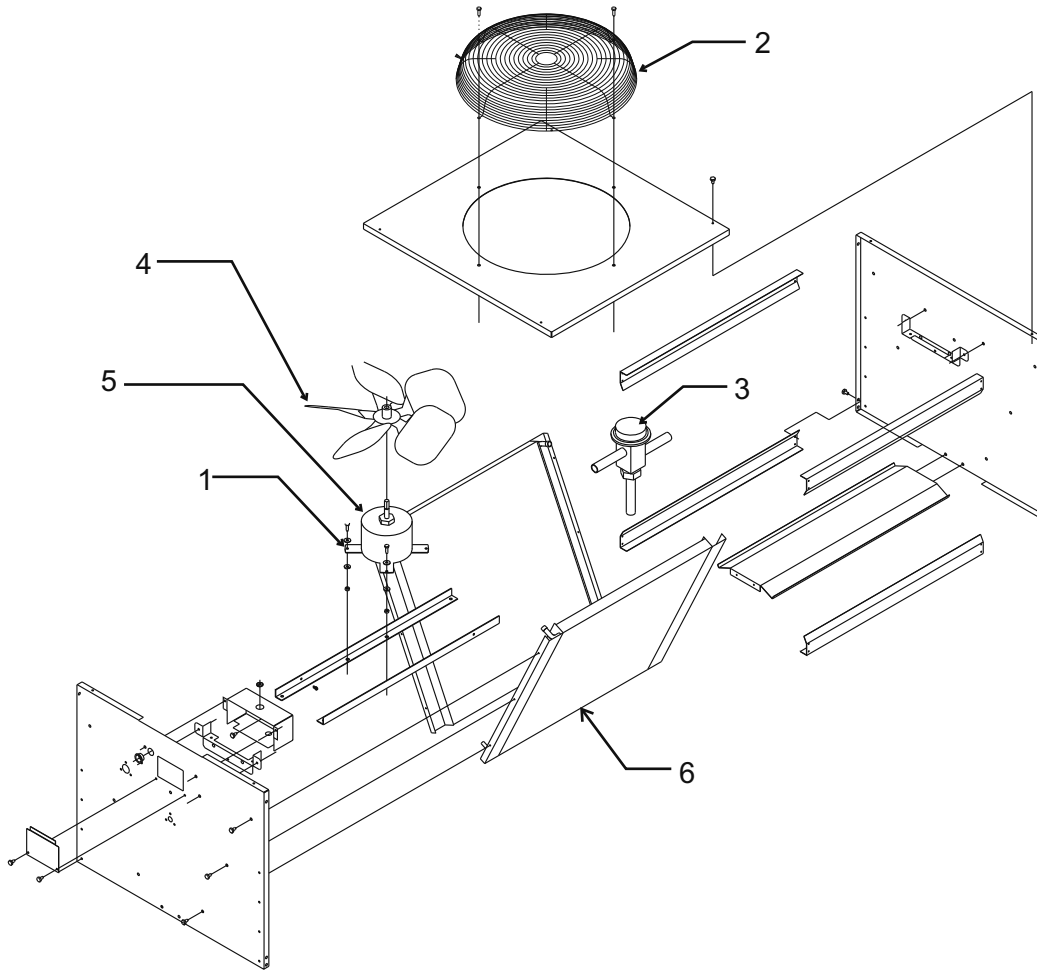
## Crankcase Heaters

Model	Crankcase heater
C0530R A or B Series	12-2942-01
C0530R C Series	12-3043-01
C0630R	12-2942-02
C0830R or C1030R	18-2308-01 internal    12-3043-03* external

\* Replacement compressors include selected components and a filter dryer. They may also include other components used only on other models. CS type compressors include fittings to adapt to prior tubing sizes.

# C0330, C0530, C0630, C0830, C1030 Service Parts

## Remote Condenser, ERC111, ERC211, and ERC311



Item Number	Part Number	Description
1	03-1405-08	Screw
2	02-3575-01	Fan guard
3	11-0422-22	Headmaster
4	18-8816-01	Fan blade
5	12-2651-01	Fan motor - 230 volt (ERC311)
	12-2651-02	Fan motor - 115 volt (ERC111 and ERC211)
6	18-8815-01	Coil, ERC111
	18-8827-01	Coil, ERC311

### Not Shown:

- A37169-001 Leg
- A37170-001 Leg brace
- 03-1645-01 Screw for legs
- 16-0850-01 Quick connect, discharge
- 16-0850-03 Quick connect, liquid