

(

(

Water System

Refrigeration

Remote Condenser

Wiring Diagrams

GENERAL

This section contains the Parts List in the CM1000 Modular Cuber.

A No Number Part Number is available for designation and clarity.

HOW TO ORDER

When ordering parts, please specify the part number from the list, and the assembly name, the quantity, which the parts require color.

All part numbers required for use in the Computer System. BE SURE to fill in ALL SPACES in the CATALOG NUMBER column, on the parts order form.

This section is provided as an aid in understanding the electrical circuitry of the CM1000 Modular Cuber.

The wiring diagram in this Section are:
CM1000RE-32A (208-230/60/1)

WARNING

When conducting a continuity check of the modular cuber:

1. Disconnect the main power source.
2. DO NOT use an incandescent lamp or jumper wire, conduct all tests with a volt-ohm-meter.

CM1000R PARTS ILLUSTRATIONS AND PARTS LISTS

DISTRIBUTOR
MANIFOLD
ASSEMBLY

EVAPORATOR
COVER

HIGH THERMISTOR

HOT GAS VALVE

ACCUMULATOR

RESERVOIR

THERMOSTATIC EXPANSION VALVE

LIQUID LINE VALVE

WATER AND DRAIN SYSTEM

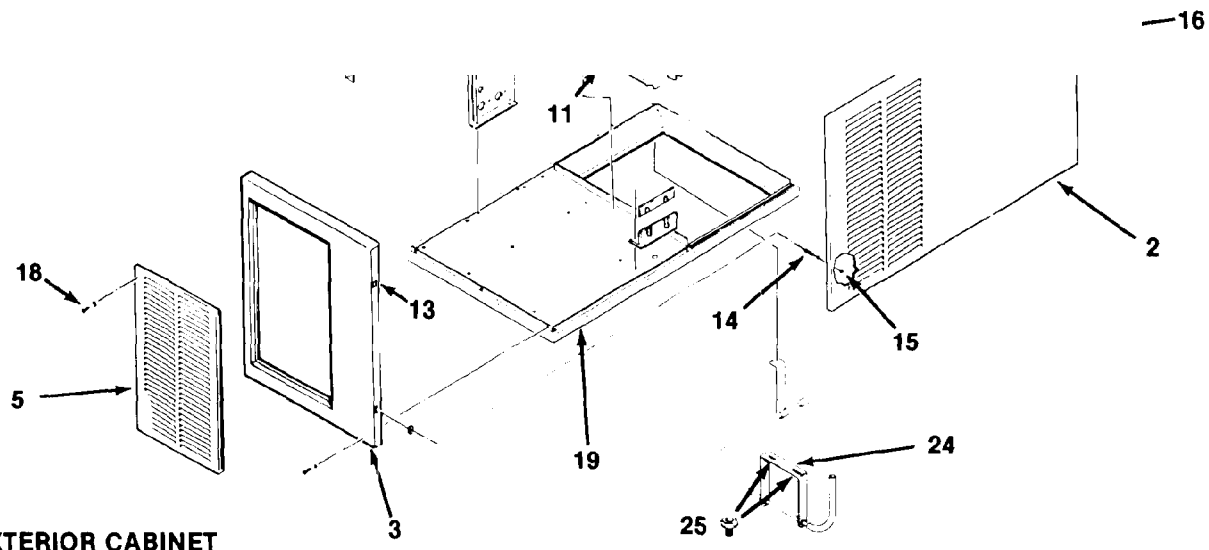
SIGHT GLASS

RECEIVER

DISCHARGE PRESSURE CONTROL

REMOTE CONDENSER REFRIGERATION SYSTEM

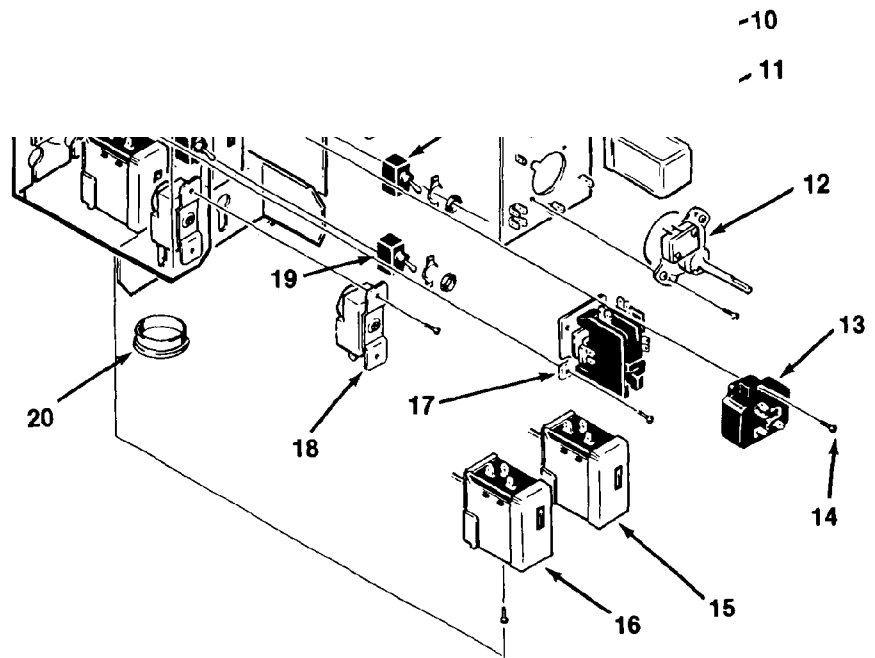
CONTROL BOX



**EXTERIOR CABINET
INTERIOR PANELS**

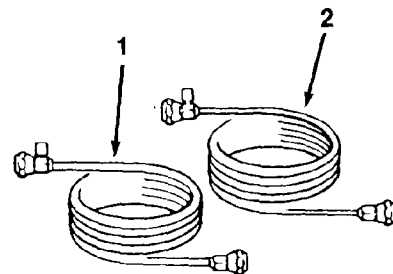
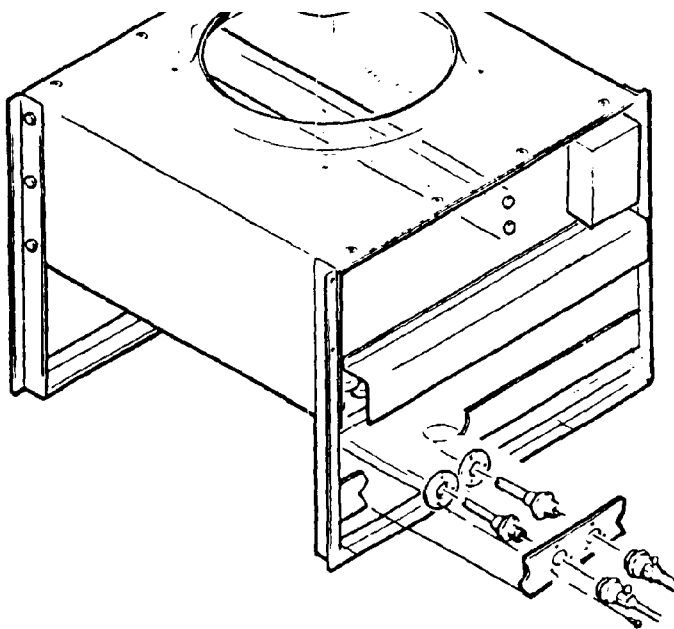
ITEM NUMBER	PART NUMBER	DESCRIPTION	ITEM NUMBER	PART NUMBER	DESCRIPTION
1	A32461-001	Top Panel Enamel	13	02-0836-00	Cabinet Catch
	A32461-002	Top Panel S.S.	14	15-0411-00	Strike - Ft. Panel
2	A32457-001	Front Panel Enamel	15	03-1406-04	Nut - Strike
	A32457-002	Front Panel S.S.	16	15-0711-01	Emblem
3	A32435-001	End Panel L. Enamel	17	03-0721-00	Speed Clip
	A32435-002	End Panel L. S.S.	18	03-1404-12	Screw
4	A32456-001	End Panel R. Enamel	19	A32434-001	Base
	A32456-002	End Panel R. S.S.	20	A32587-001	Upper Brace - Evaporator
5	A32161-001	Service Panel Enamel	21	A32467-001	Lower Brace - Evaporator
	A32161-002	Service Panel S.S.	22	A32464-001	Screw - Lower Brace
6	A32448-001	Back Panel L.	23	A32469-001	Upper Brace - Cabinet
7	A32452-001	Back Panel R.	24	A32511-001	Bin Thermostat Bracket
8	02-2888-01	Back Liner	25	03-0727-05	Bin Thermostat Thumb Nut
9	02-2887-01	Right Liner			
10	02-2885-01	Left Liner			
11	A32454-001	Retainer			
12	03-1404-01	Screw - Top Panel			

CM1000B PARTS ILLUSTRATIONS AND PARTS LISTS



CONTROL BOX

ITEM NUMBER	PART NUMBER	DESCRIPTION	ITEM NUMBER	PART NUMBER	DESCRIPTION
1	18-1901-48	Start Capacitor	15	11-0425-01	Pressure Control Hi
2	18-4300-50	Start Capacitor Cap	16	11-0443-01	Pressure Control Low
3	03-1419-05	Screw	17	12-2048-02	Contractor
4	No Number	Bracket	18	11-0427-02	Bin Thermostat
5	11-0428-01	Cube Size Control	19	12-0426-01	Switch
6	03-1403-17	Screw	20	12-2311-01	Snap Bushing
7	12-2255-01	Switch	21	A09388-000	Capacitor Strap
8	No Number	Stand Off	22	03-1638-03	Screw
9	12-1912-01	Circuit Board	23	18-1902-55	Run Capacitor
10	03-1403-04	Screw	24	No Number	Cover
11	12-1879-03	Relay	25	12-1213-17	Snap Bushing
12	12-1980-02	Timer	26	A31799-001	Cover (Not Shown)
13	18-1903-46	Potential Relay	27	No Number	Control Box
14	03-1531-01	Screw			

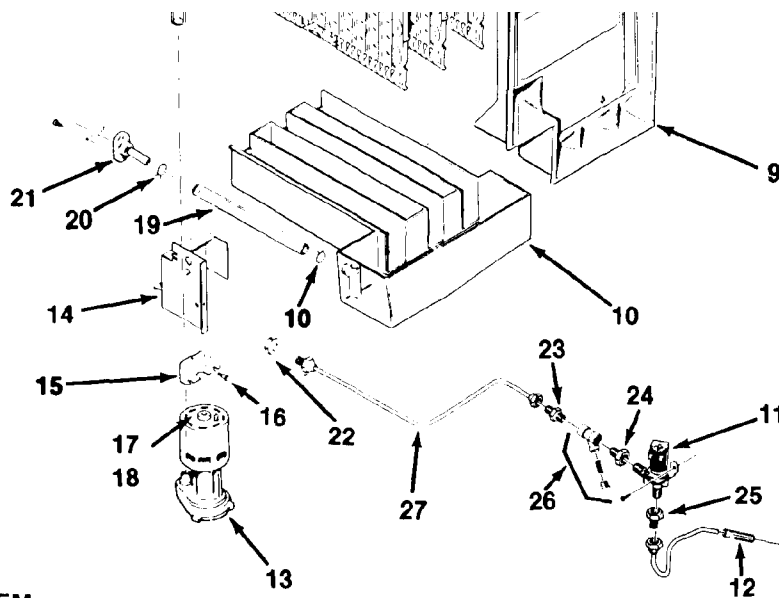


**REMOTE CONDENSER RC651-32B
RC652-32B**

ITEM NUMBER	PART NUMBER	DESCRIPTION
1	02-2618-01	Guard, Fan
2	18-3733-01	Blade, Fan
3	18-5301-01	Motor, Fan

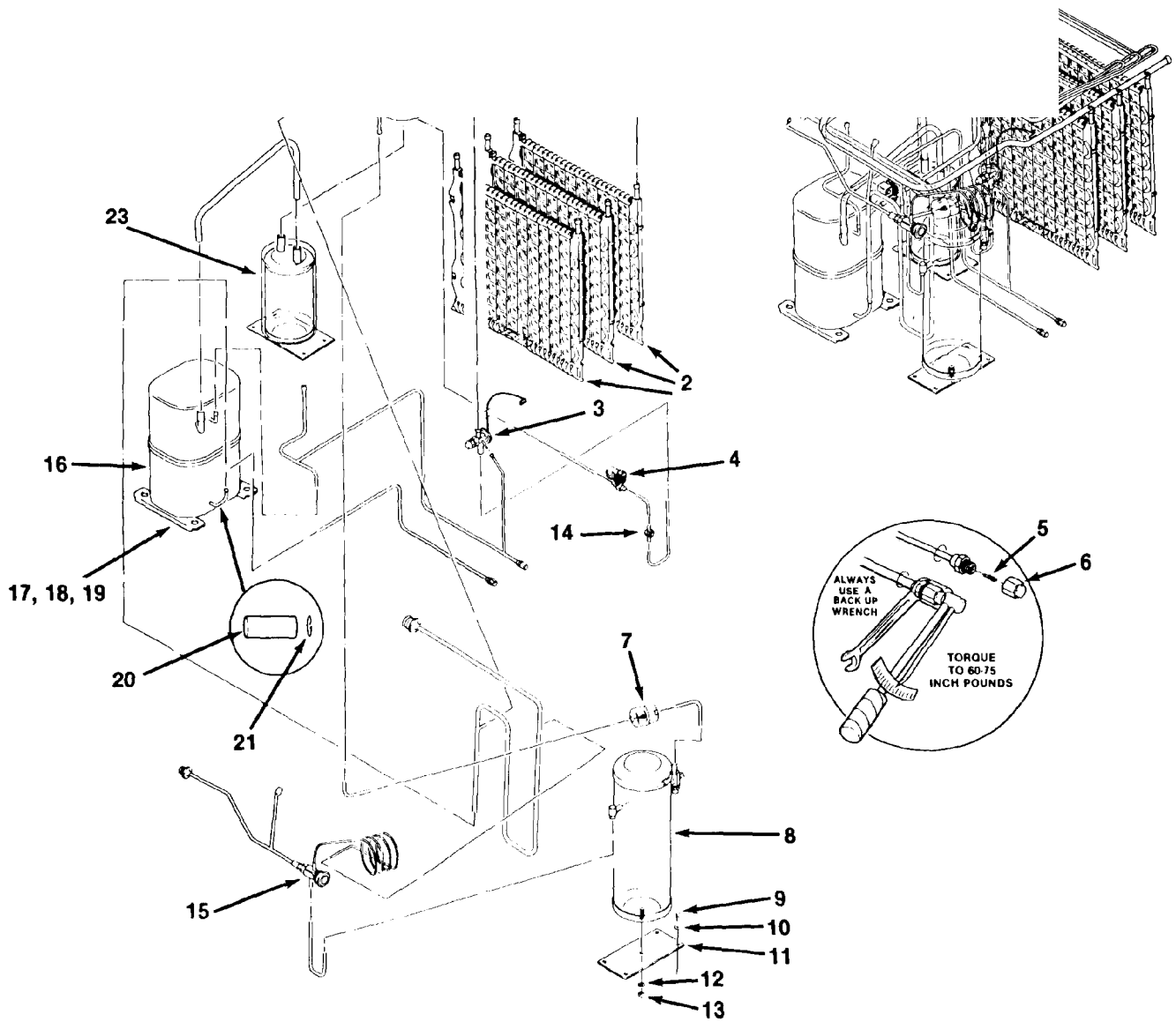
PRE-CHARGED TUBING KIT

ITEM NUMBER	PART NUMBER	DESCRIPTION
1	RT625	25" Long
2	RT640	40" Long

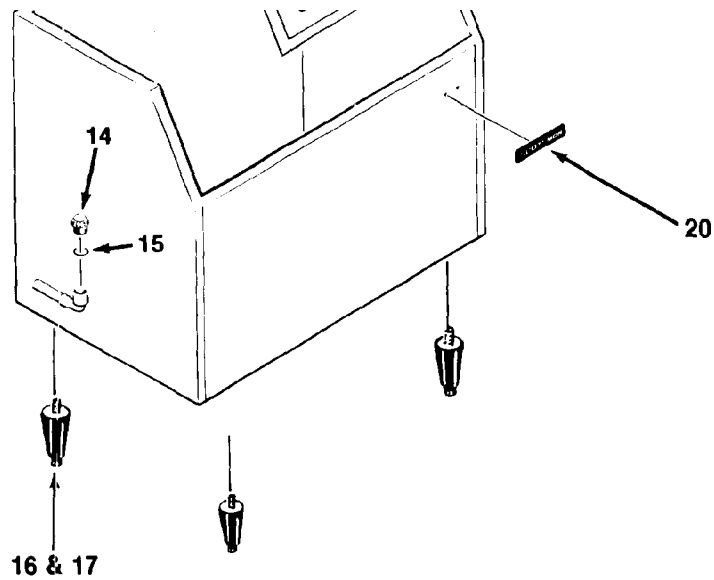


WATER SYSTEM

ITEM NUMBER	PART NUMBER	DESCRIPTION	ITEM NUMBER	PART NUMBER	DESCRIPTION
1	02-2527-01	Water Distributor Tube	14	A32462-001	Housing - Pump
2	02-2521-01	Manifold - Water	15	A32551-001	Bracket - Pump
3	13-0617-48	Manifold - Water - O-ring	16	03-0727-00	Screw - Thumb
4	A29703-001	Manifold - Water	17	03-1406-07	Nut - Top Pump
5	02-2829-01	Water Restrictor	18	03-1407-03	Washer - Top Pump
6	13-0674-07	Hose 30"	19	13-0674-07	Drain Hose 16.5"
7	02-1358-01	Hose Clamp	20	02-1358-01	Hose Clamp
8	A30296-020	Evaporator Plate	21	A31757-002	Drain
9	02-2890-01	Evaporator Cover	22	03-1394-01	Pal Nut
10	02-2889-01	Sump	23	16-0791-01	Coupling - Half Union
11	12-1646-04	Water Solenoid	24	16-0794-01	Adaptor
12	15-0674-01	Hose 3"	25	16-0631-02	Connector - Female
13	12-2319-22	Pump - Water	26	16-0162-00	Strainer (Not Illustrated)
			27	No Number	Water Line



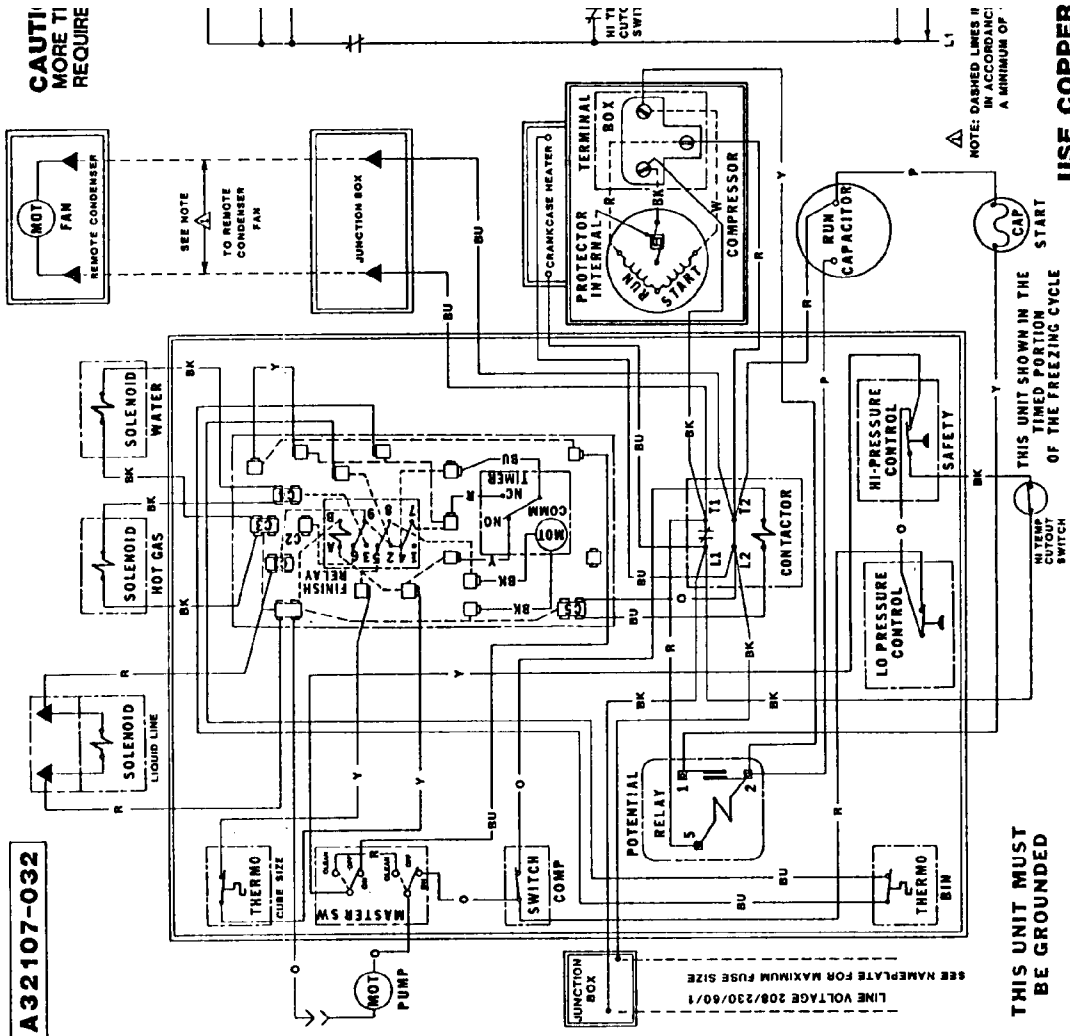
9	03-0571-01	Screw
10	03-1407-05	Washer
11	<i>No Number</i>	Bracket
12	03-1410-06	Lockwasher
13	Nut	03-1406-13
14	16-0762-01	Sight Glass
15	11-0422-02	Low Ambient Control (Head Pressure)
16	18-6400-02	Compressor
17	18-2300-26	Compressor Sleeve
18	18-2300-27	Compressor Grommet
19	03-1405-20	Compressor Screw
20	12-2308-01	Crankcase Heater
21	12-2309-01	Crankcase Heater Clip
23	16-0793-01	Accumulator
24	02-2893-01	Accumulator (Not Shown) Insulation Half
25	A32472-001	Evaporator Inlet Assembly



BH800

ITEM NUMBER	PART NUMBER	DESCRIPTION	ITEM NUMBER	PART NUMBER	DESCRIPTION
1	A32408-001	Canopy	12	03-1539-09	E-Clip
2	A32410-001	Baffle	13	03-0727-06	Thumb Screw Baffle
3	19-0503-04	Gasket - order per ft.	14	02-2809-01	Drain Top
4	A32418-020	Door Frame	15	13-0617-11	O-Ring
5	A32419-020	Door	16	KLP2E	Legs - Enamel
6	13-0595-00	Door Gasket - order per ft. (10')	17	KLP2S	Legs - S.S.
7	A32396-002	Hinge Rt.	18	03-1404-06	Screw (Not Shown)
8	A32396-001	Hinge Lt.	19	03-1360-02	Screw
9	02-2380-01	Hinge Bushing	20	15-0711-01	Emblem
10	02-2380-02	Hinge Spacer	21	03-1418-41	Screw
11	02-2806-01	Shoulder Screw	22	A32456-001	Door Hinge Lt.
			23	A32456-002	Door Hinge Rt.

CM100



Wiring Diagram CM1000RE-32A