

CM1000 Parts List

Table of Contents

Cabinet

Air Cooled Refrigeration

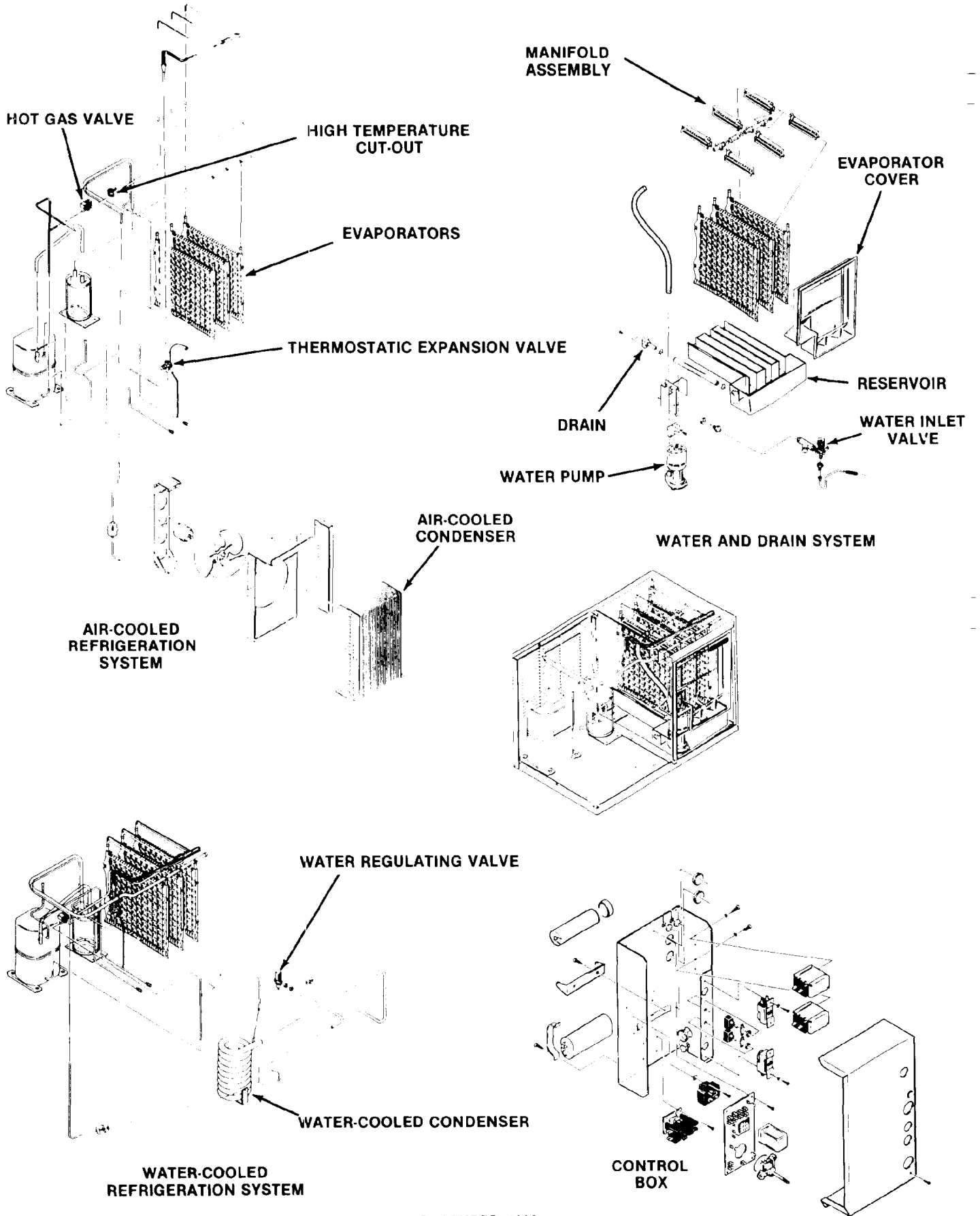
Water Cooled Refrigeration

Water System

Control Box

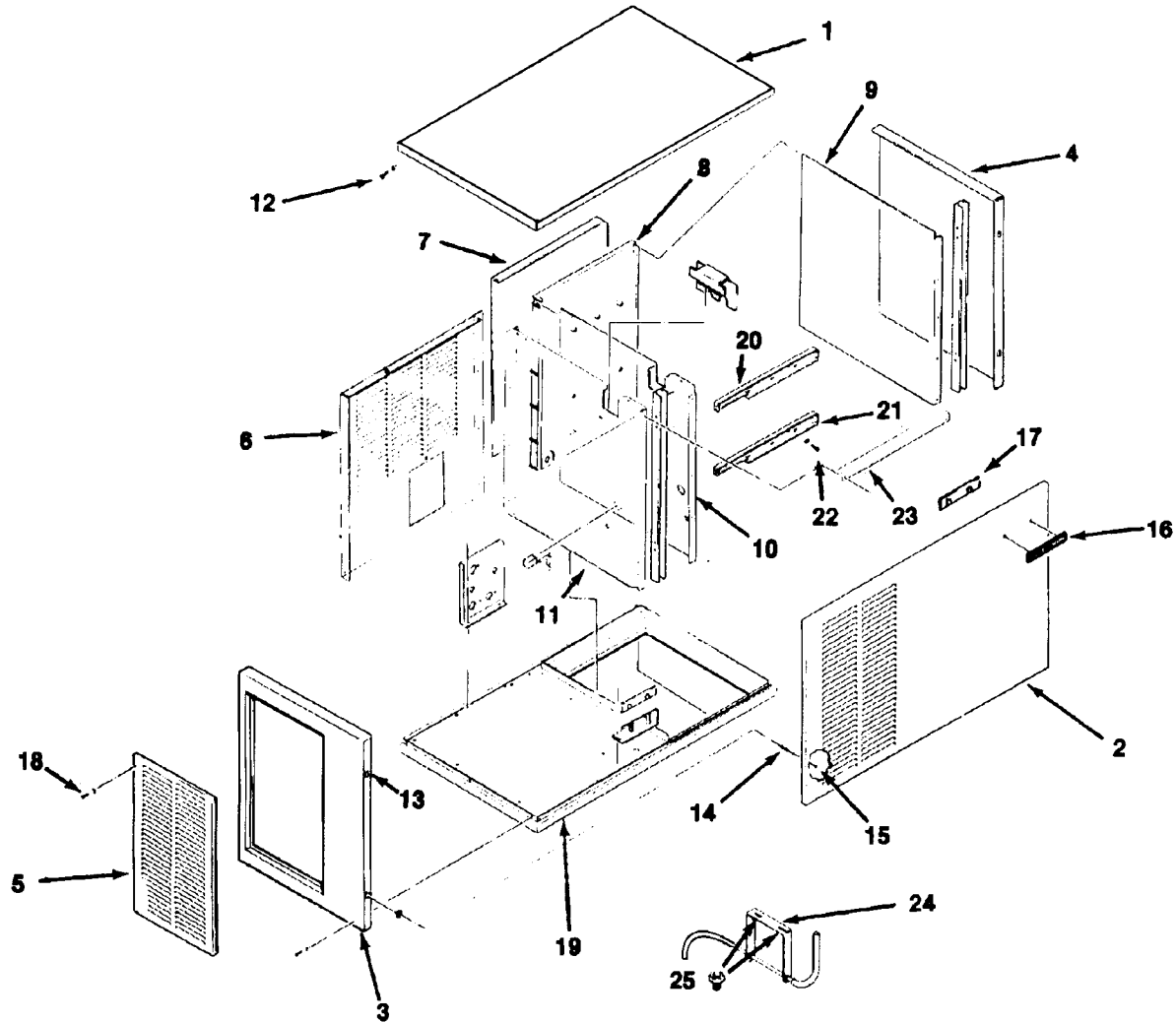
Wiring Diagrams

CM1000 THE PARTS ILLUSTRATIONS AND PARTS LISTS



CM1000 SERVICE PARTS

Cabinet

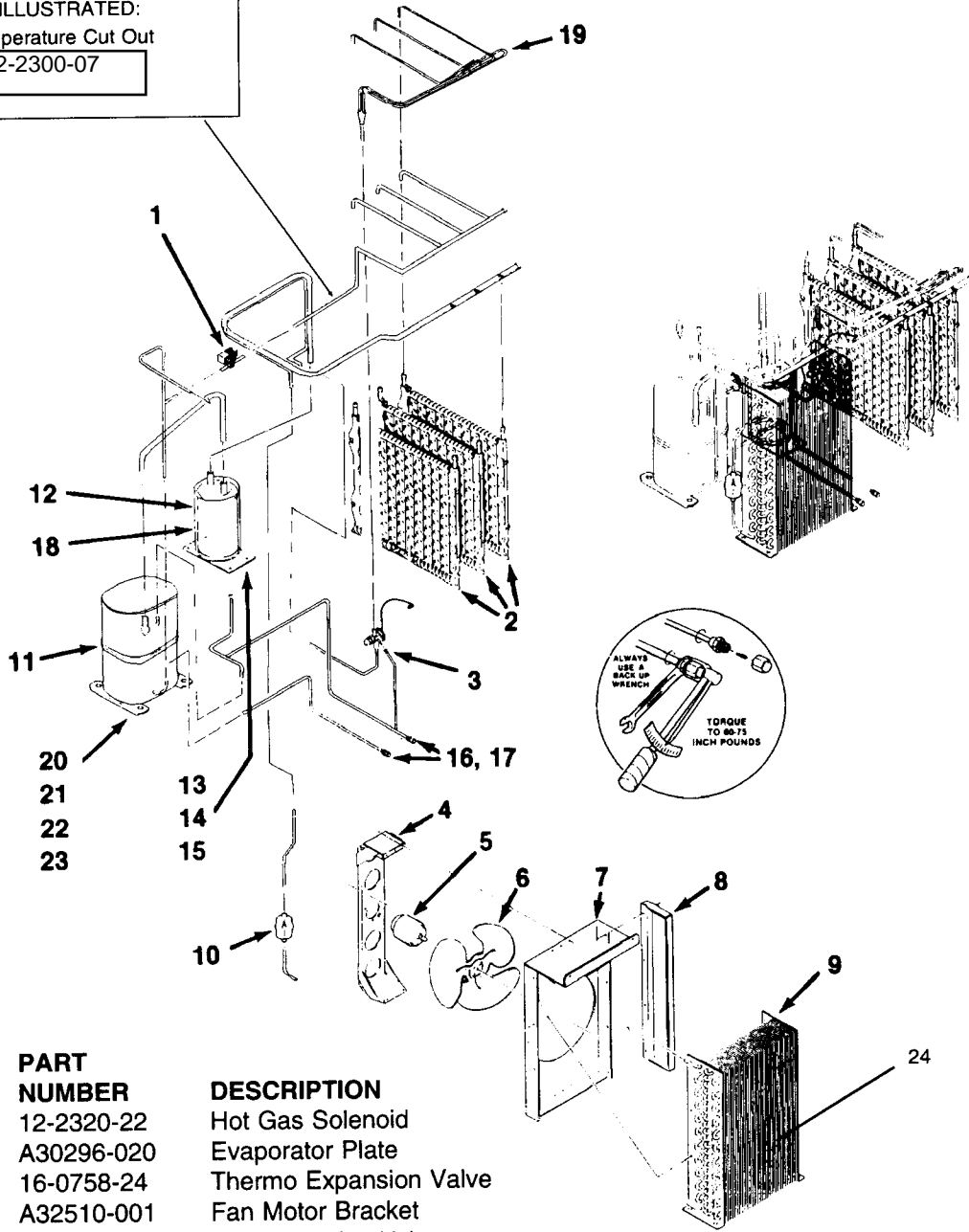


ITEM NUMBER	PART NUMBER	DESCRIPTION	ITEM NUMBER	PART NUMBER	DESCRIPTION
1	A32461-001	Top panel, enamel	11	A32454-001	Retainer
	A32461-002	Top panel, S.S.	12	03-1531-01	Screw, top panel
2.	A32457-001	Front panel, enamel	13	02-0836-00	Cabinet catch
	A32457-002	Front panel, S.S.	14	15-0411-00	Strike
3	A32435-001	End panel left. enamel	15	03-1406-01	Nut
	A32435-002	End panel left, S.S.	16	15-0711-01	Emblem for enamel
4	A35453-001	End panel right, enamel		15-0711-02	Emblem for S.S.
	A35453-002	End panel right, S.S.	17	03-0721-00	Speed clip
5	A32161-001	Service panel, enamel	18	03-1404-12	Screw
	A33946-002	Service panel for S.S.	19	A32434-001	Base
6	A32448-001	Back panel, Left painted	20	A32587-001	Upper brace, evap
	A32448-002	Back panel, left, SS	21	A32467-001	Lower brace, evap
7	A32452-001	Back panel, Right painted	22	A32464-001	Screw, lower brace
	A32452-002	Back panel, right SS	23	A32469-001	Upper brace, cabinet
8	02-2888-01	Back liner	24	A35245-001	Bin thermostat bracket
9	02-2887-01	Right liner	25	03-0727-05	Bin thermostat thumb nut
10	02-2885-01	Left liner			

CM1000 SERVICE PARTS

Air Cooled Refrigeration

NOT ILLUSTRATED:
Hi Temperature Cut Out
12-2300-07

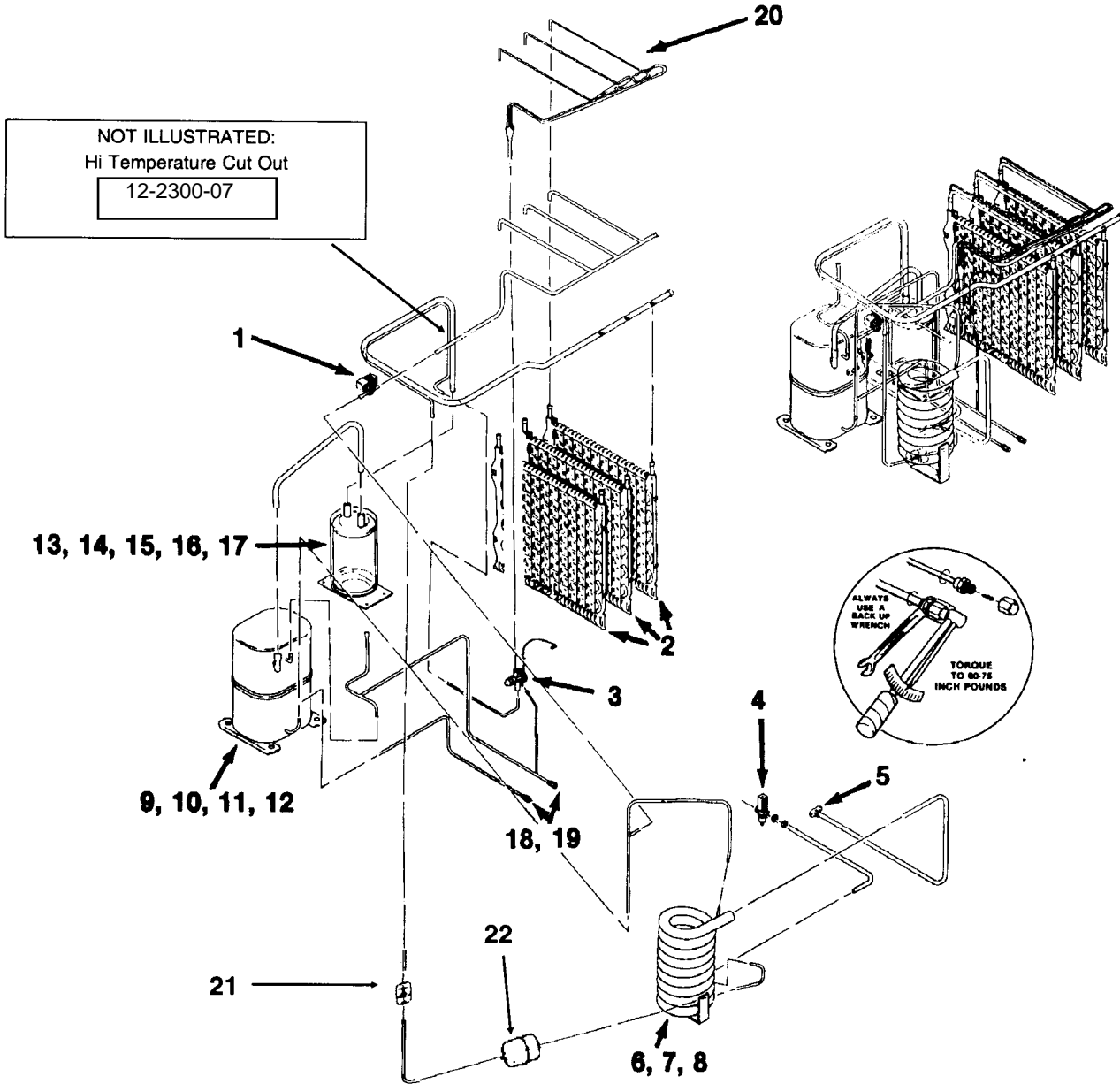


ITEM NUMBER	PART NUMBER	DESCRIPTION
1	12-2320-22	Hot Gas Solenoid
2	A30296-020	Evaporator Plate
3	16-0758-24	Thermo Expansion Valve
4	A32510-001	Fan Motor Bracket
5	18-5105-02	Fan Motor (60 Hz)
	18-5105-04	Fan Motor (50 Hz)
6	18-3732-01	Fan Blade
7	A32460-001	Shroud
8	A32471-001	Bracket
9	18-6500-01	Condenser
10	02-2426-02	Drier
11	18-6400-02	-32 Compressor (208-230/60/1)
	18-8600-04	-6 Compressor (230/50/1)
	18-6400-04	-3 Compressor (208-230/60/3))
12	16-0793-21	Accumulator
13	03-1406-12	Nut

ITEM NUMBER	PART NUMBER	DESCRIPTION
14	03-1407-09	Washer
15	03-1410-05	Lockwasher
16	16-0560-00	Valve core
17	16-0563-00	Valve core cap
18	02-2893-01	Accumulator Insulation Half
19	A32472-001	Evaporator Inlet Assy
20	18-2200-27	Compressor Sleeve
21	18-2300-27	Grommet
22	03-1405-20	Screw
23	03-1407-07	Washer
24	A32975-002	Foam filter

CM1000 SERVICE PARTS

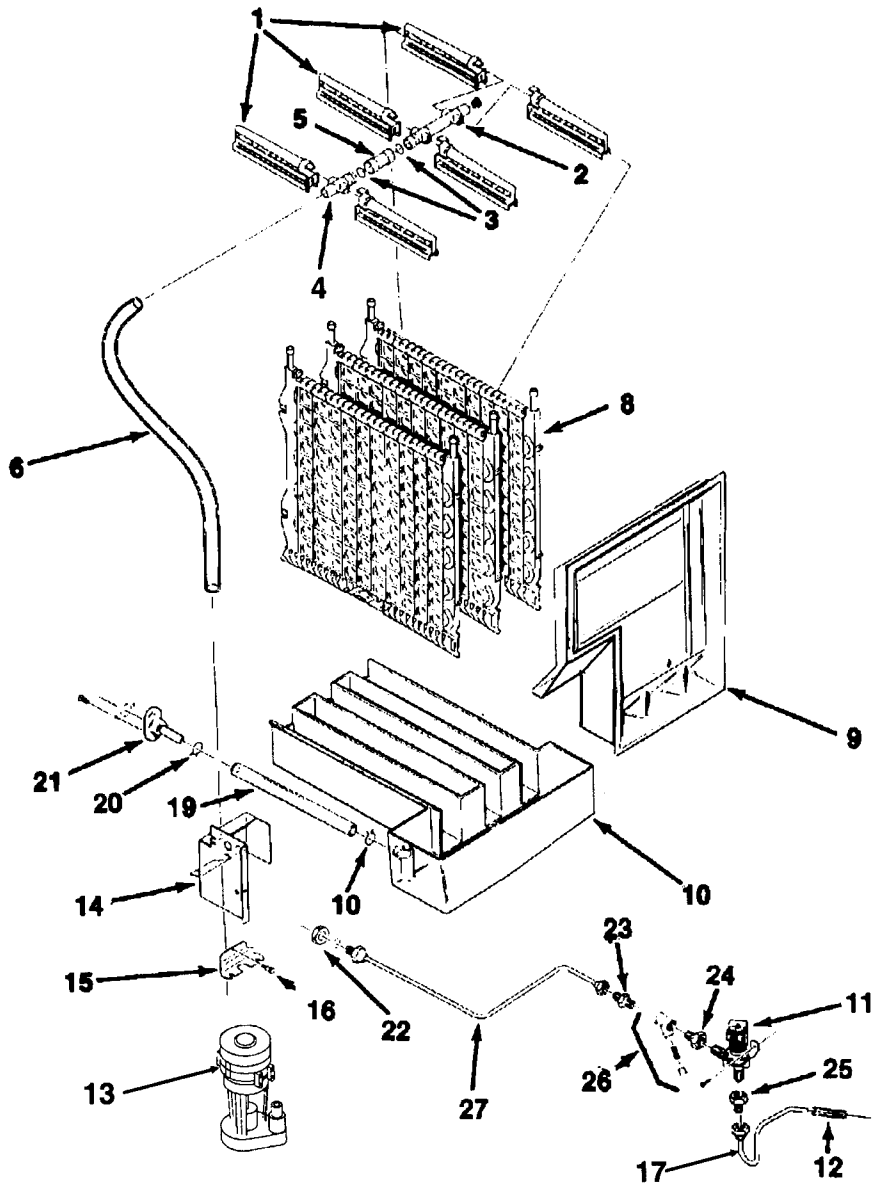
Water Cooled Refrigeration



ITEM NUMBER	PART NUMBER	DESCRIPTION	ITEM NUMBER	PART NUMBER	DESCRIPTION
1	12-2320-22	Hot Gas Solenoid	10	18-2200-27	Compressor Sleeve
2	A30296-020	Evaporator Plate	11	18-2300-27	Grommet
3	16-0758-24	Thermo Expansion Valve	12	03-1405-20	Screw
4	11-0424-21	Water Regulator Valve	13	16-0793-21	Accumulator
5	A31828-003	Drain Adaptor	14	03-1406-12	Nut
6	18-6900-01	Condenser, WC	15	03-1407-09	Washer
7	03-1645-01	Condenser Screw	16	03-1410-05	Lockwasher
8	03-1407-05	Condenser Washer	17	02-2893-01	Accumulator Insulation Half
9	18-6400-02	-32 Compressor (208-230/60/1)	18	16-0560-00	Valve Core
	18-6400-04	-3 Compressor (208-230/60/3))	19	16-0563-00	Valve Cap
			20	A32472-001	Evaporator Inlet Assy
			21	02-2426-02	Dryer
			22	02-2628-02	Receiver, on all units after date code 06W

CM1000 SERVICE PARTS

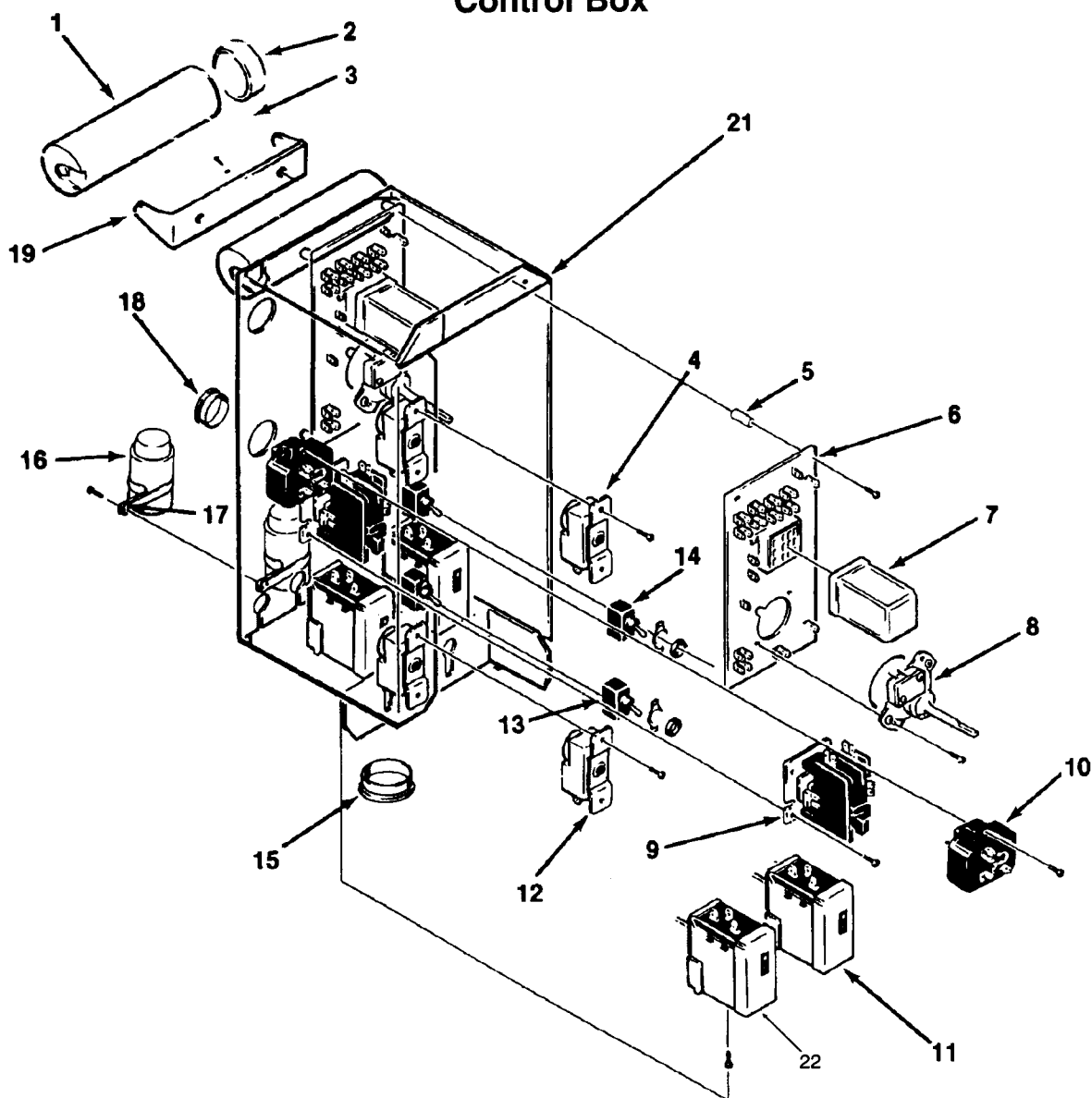
Water System



ITEM NUMBER	PART NUMBER	DESCRIPTION	ITEM NUMBER	PART NUMBER	DESCRIPTION
1	02-2527-01	Water distributor tube	15	no number	Pump bracket (included with replacement pump)
2	02-2521-01	Manifold, water	16	03-0727-00	Thumb screw
3	13-0617-48	O-ring	17	A32474-001	Inlet tube
4	A29703-001	Water manifold	18	no number	Not used
5	02-2895-01	Water restrictor	19	13-0674-07	Drain hose, 16.5"
6	13-0617-07	Hose, 30"	20	02-1358-01	Hose clamp
7	02-1358-01	Hose clamp	21	A31757-002	Drain
8	A30296-020	Evaporator	22	03-1394-01	Pal nut
9	02-2890-02	Evaporator cover	23	16-0791-01	Coupling
10	02-2889-01	Sump	24	16-0794-01	Adpator
11	12-1646-04	Water valve	25	16-0631-02	Connector, female
12	13-0674-01	Hose, 3"	26	16-0162-00	Strainer
13	12-2419-62	Water pump	27	no number	Water line
14	A32462-001	Pump housing			

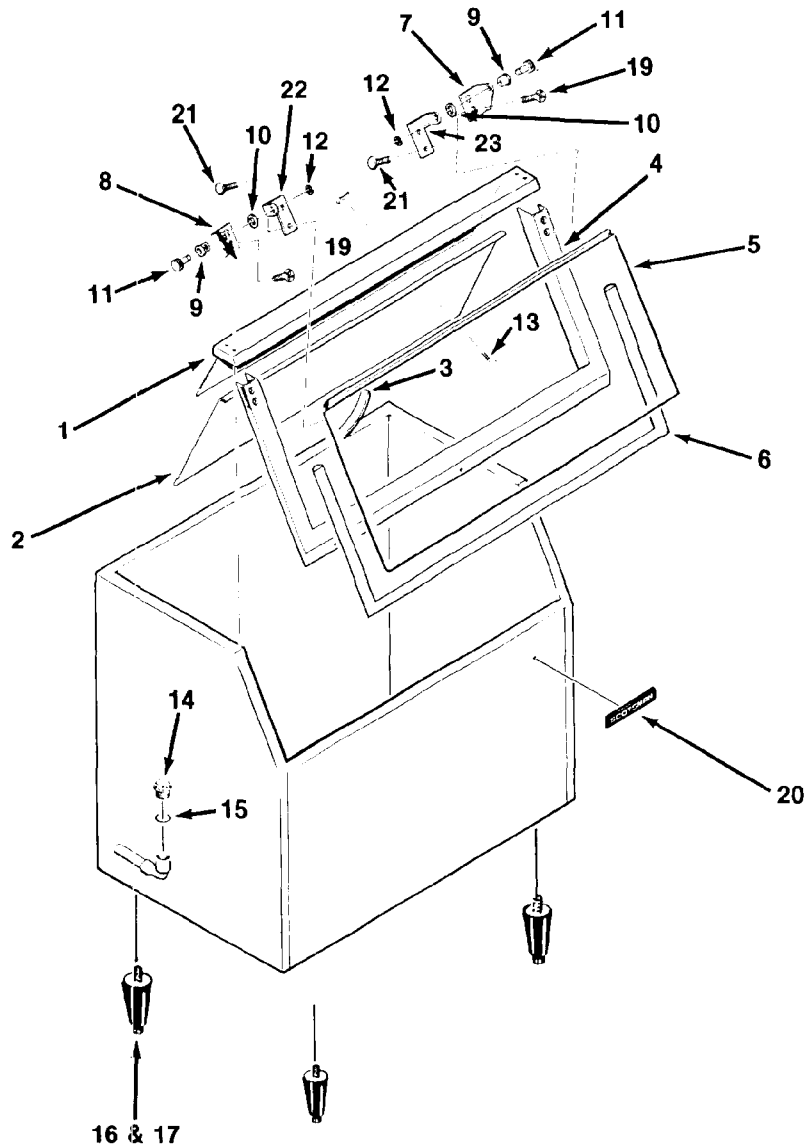
CM1000 SERVICE PARTS

Control Box



ITEM NUMBER	PART NUMBER	DESCRIPTION	ITEM NUMBER	PART NUMBER	DESCRIPTION
1	18-1901-48	Start Capacitor	14	12-0426-01	Switch
2	18-4300-50	Start Capacitor Cap	15	12-2311-01	Snap bushing
3	03-1419-05	Screw	16	18-1902-55	Run Capacitor
4	11-0436-21	Cube Size Control	17	A09388-002	Run Cap Brace
5	02-2242-02	Stand off	18	02-2790-01	Snap Bushing
6	12-1912-01	Circuit board	19	no number	Bracket
7	12-1979-03	Relay	20	A31799-001	Control Box Cover
8	12-1980-22	Timer	21	no number	Control Box
9	12-2048-01	Contact ² or, single phase	22	11-0426-21	Fan Control (AC)
	12-0739-02	Contact ² or, three phase			
10	18-1903-46	Potential relay			
11	11-0425-21	Hi pressure control, AC			
	11-0410-22	Hi pressure control, WC			
12	11-0427-22	Bin Thermostat			

CM1000 THE PARTS ILLUSTRATIONS AND PARTS LISTS

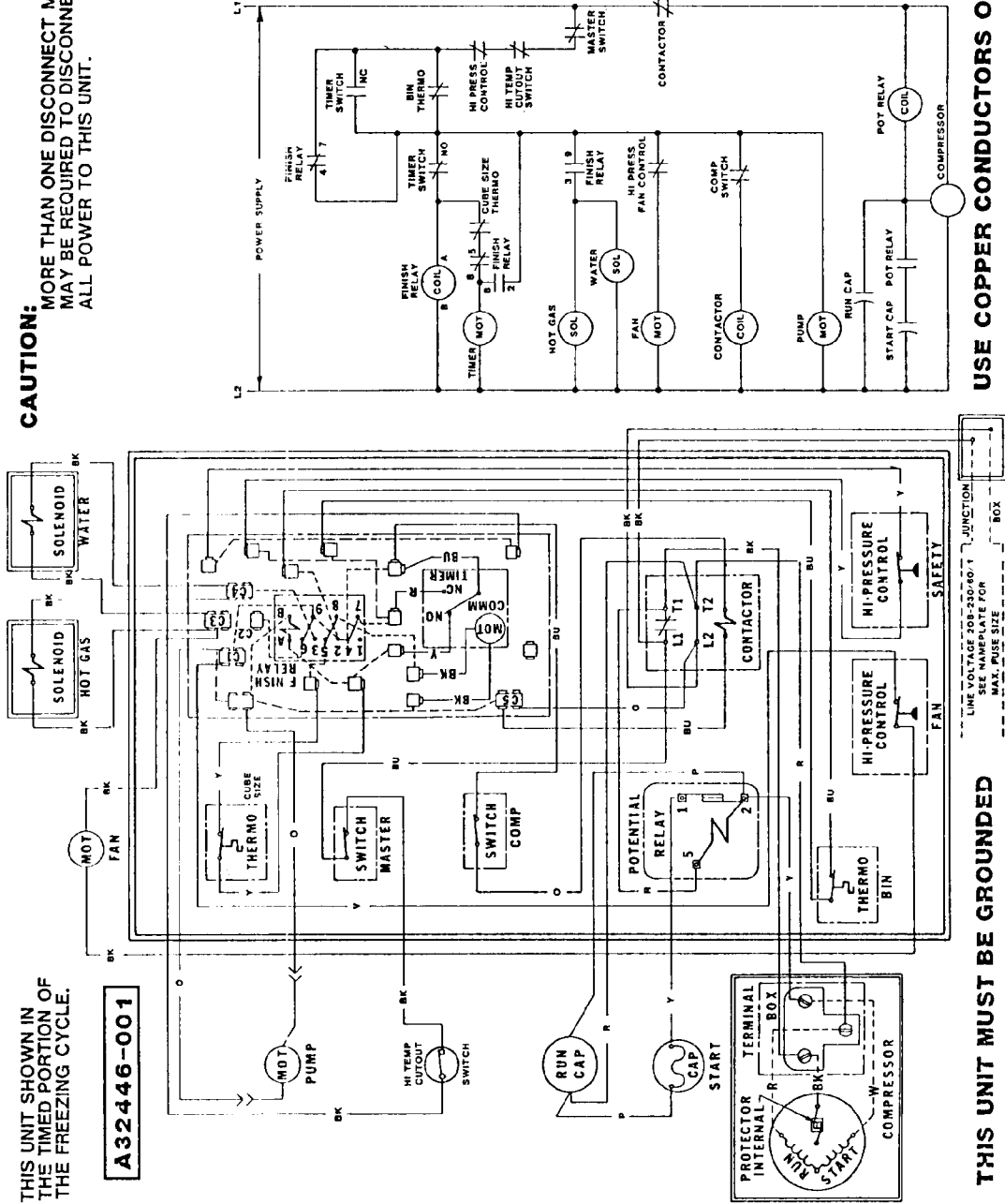


BH800

ITEM NUMBER	PART NUMBER	DESCRIPTION	ITEM NUMBER	PART NUMBER	DESCRIPTION
1	A32408-001	Canopy	12	03-1539-09	E-Clip
2	A32410-001	Baffle	13	03-0727-06	Thumb Screw Baffle
3	19-0503-04	Gasket - order per ft.	14	02-2809-01	Drain Top
4	A32418-020	Door Frame	15	13-0617-11	O-Ring
5	A32419-020	Door	16	KLP2E	Legs - Enamel
6	13-0595-00	Door Gasket - order per ft. (10')	17	KLP2S	Legs - S.S.
7	A32396-002	Hinge Rt.	18	03-1404-06	Screw (Not Shown)
8	A32396-001	Hinge Lt.	19	03-1360-02	Screw
9	02-2380-01	Hinge Bushing	20	15-0711-01	Emblem
10	02-2380-02	Hinge Spacer	21	03-1418-41	Screw
11	02-2806-01	Shoulder Screw	22	A32456-001	Door Hinge Lt.
			23	A32456-002	Door Hinge Rt.

CM1000 WIRING DIAGRAMS

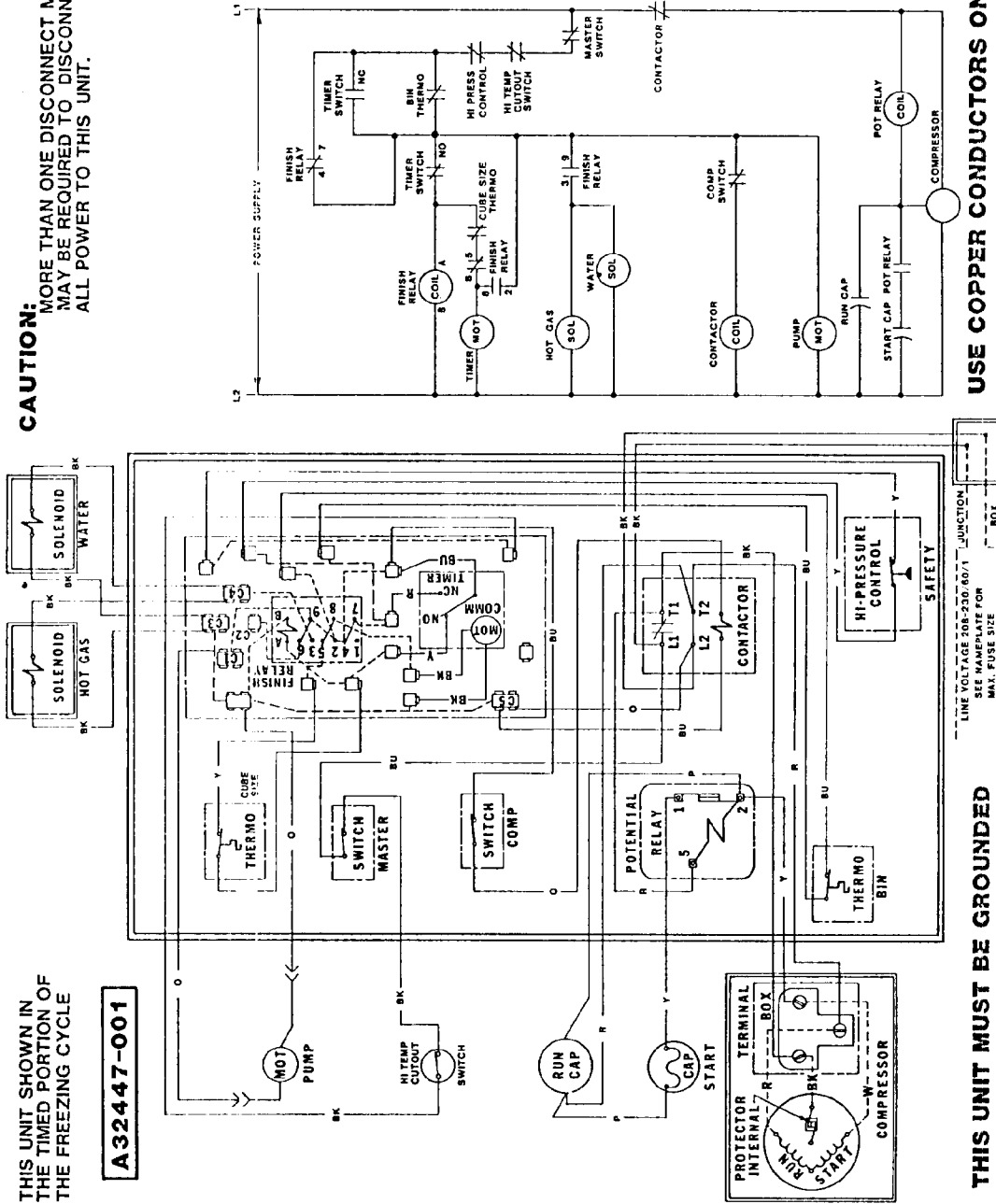
CAUTION: MORE THAN ONE DISCONNECT MEANS MAY BE REQUIRED TO DISCONNECT ALL POWER TO THIS UNIT.



Wiring Diagram CM1000AE-32A (208-230/60/1) Air-Cooled

CM1000 WIRING DIAGRAMS

CAUTION: MORE THAN ONE DISCONNECT MEANS MAY BE REQUIRED TO DISCONNECT ALL POWER TO THIS UNIT.



THIS UNIT SHOWN IN THE TIMED PORTION OF THE FREEZING CYCLE

A32447-001

USE COPPER CONDUCTORS ONLY

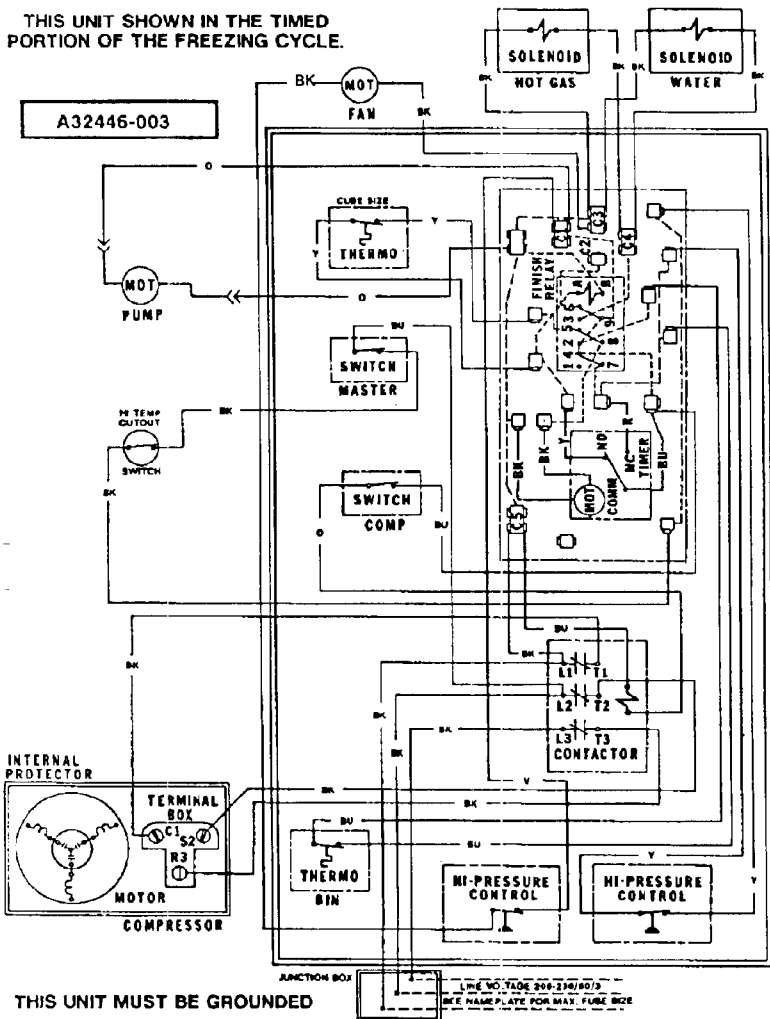
THIS UNIT MUST BE GROUNDED

Wiring Diagram CM1000WE-32A (208-230/60/1) Water-Cooled

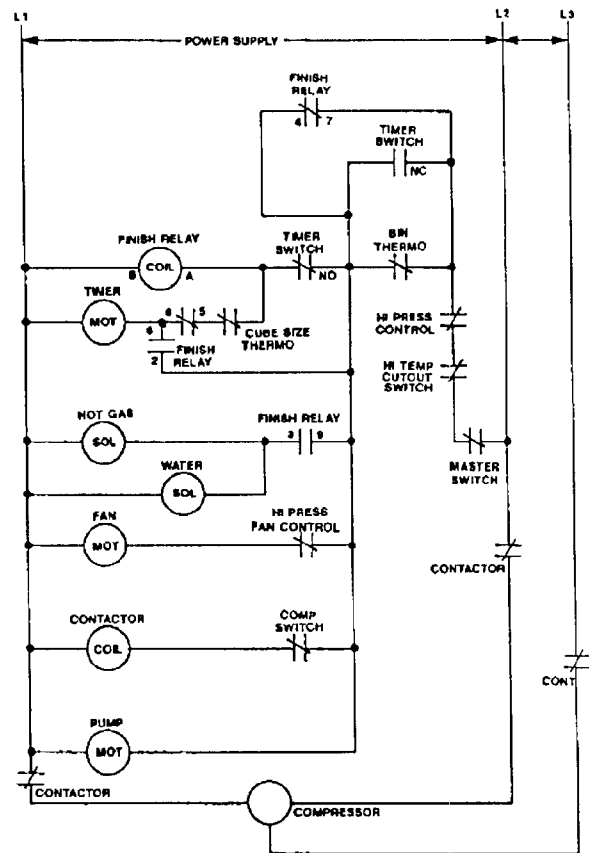
CM1000 WIRING DIAGRAMS

CM1000 AE-3A (208-230/60/3) Air Cooled

THIS UNIT SHOWN IN THE TIMED PORTION OF THE FREEZING CYCLE.



CAUTION: MORE THAN ONE DISCONNECT MEANS MAY BE REQUIRED TO DISCONNECT ALL POWER TO THIS UNIT.

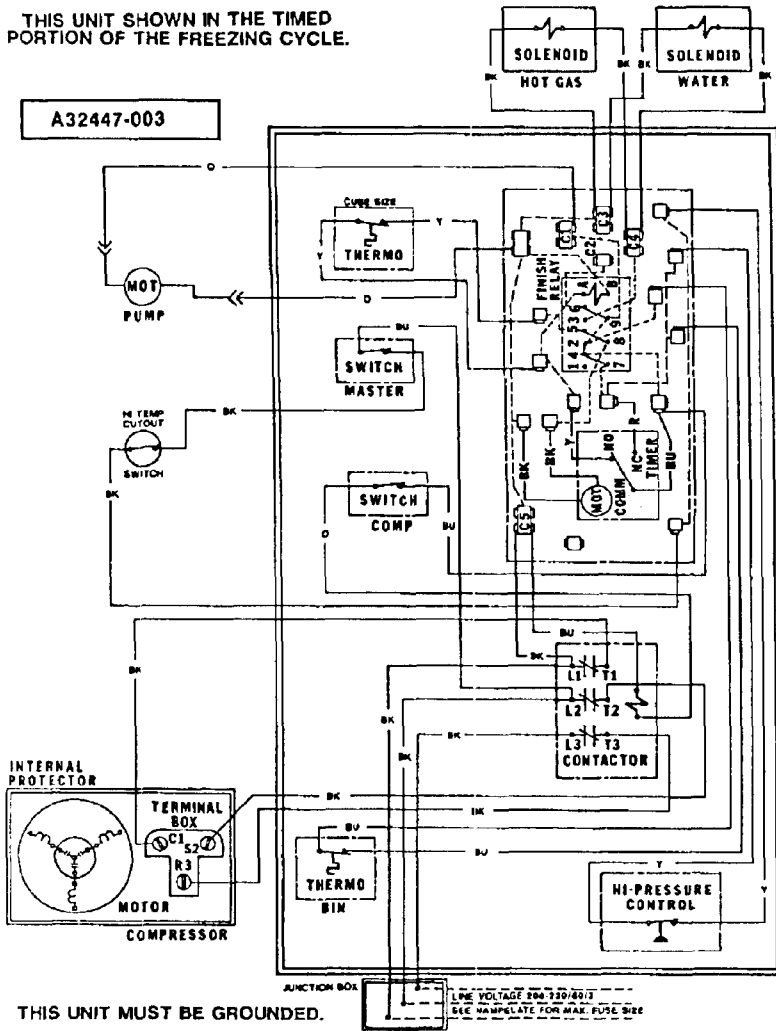


USE COPPER CONDUCTORS ONLY

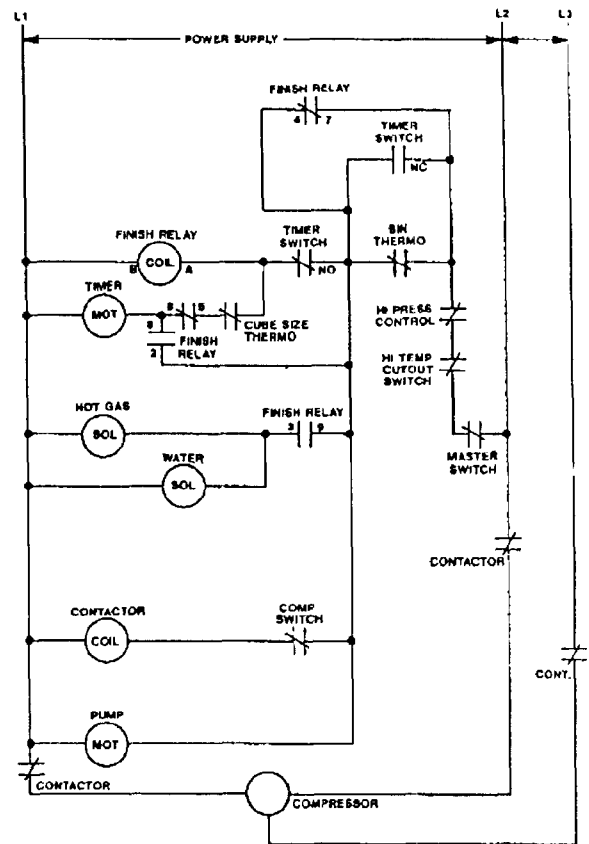
CM1000 WIRING DIAGRAMS

CM1000WE-3A (208-230/60/3) Water Cooled

THIS UNIT SHOWN IN THE TIMED PORTION OF THE FREEZING CYCLE.



CAUTION: MORE THAN ONE DISCONNECT MEANS MAY BE REQUIRED TO DISCONNECT ALL POWER TO THIS UNIT.



USE COPPER CONDUCTORS ONLY.