

# **CM1400R Parts List**

## **Table of Contents**

**Cabinet**

**Refrigeration**

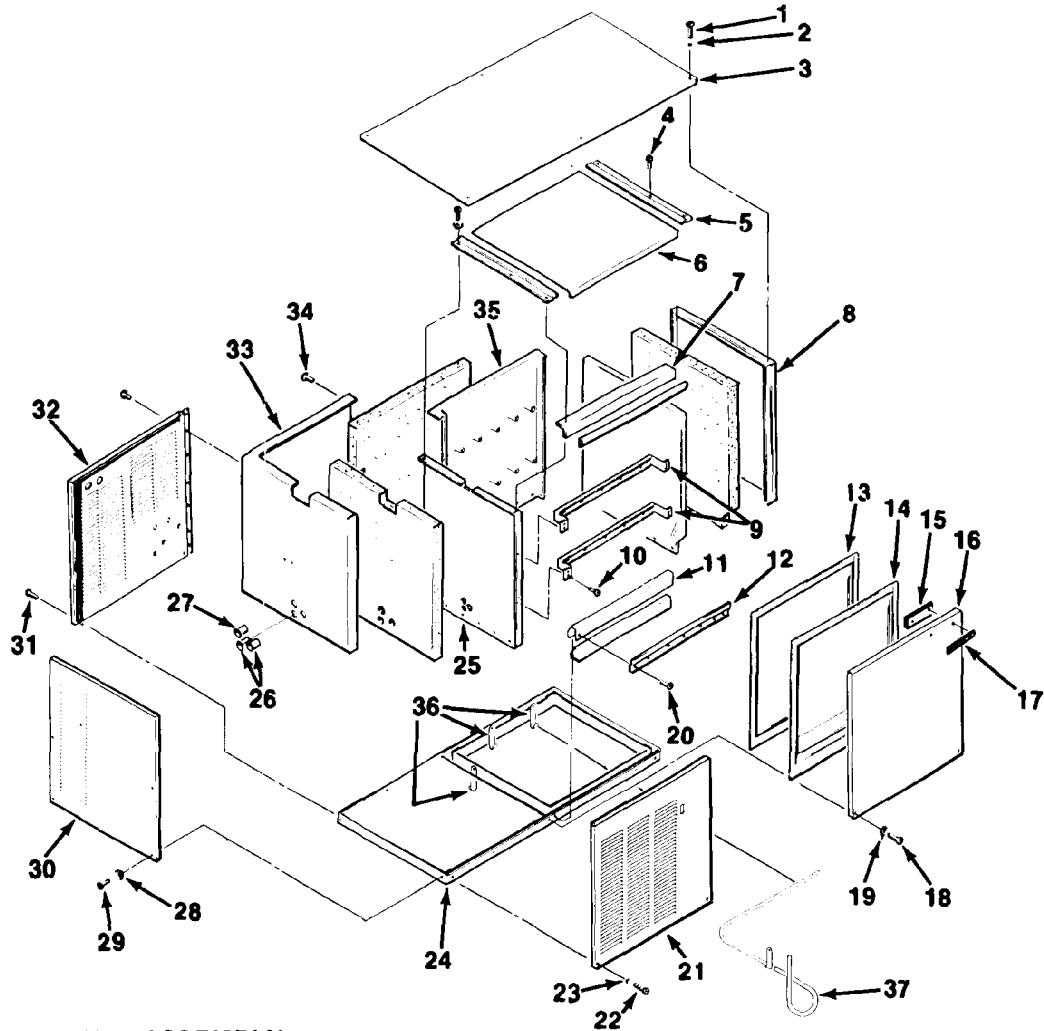
**Water System**

**Control Box**

**BH750**

**Wiring Diagrams**

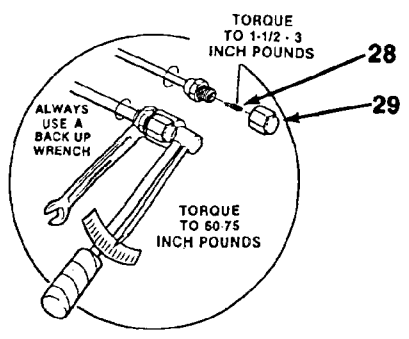
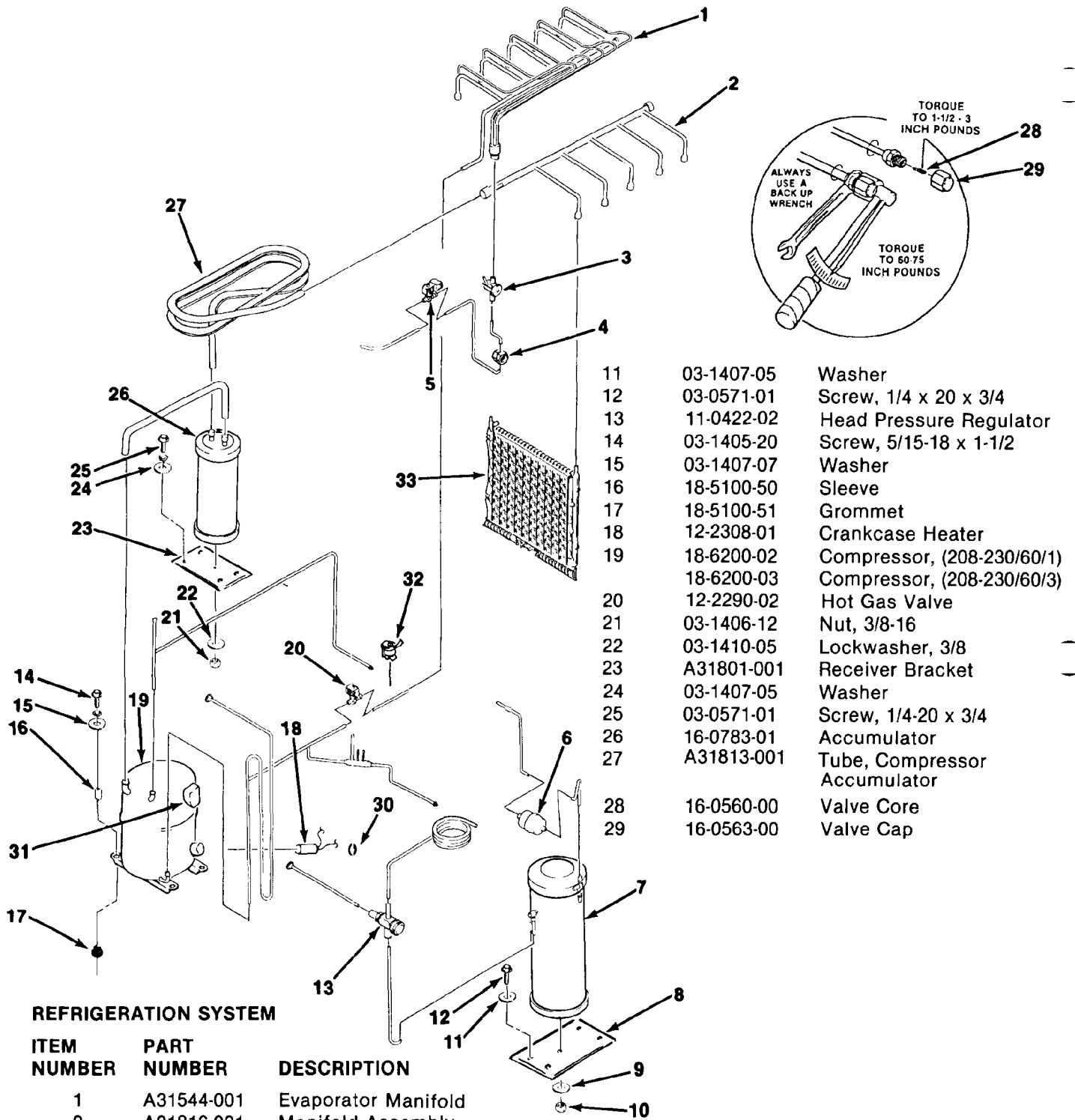
# CM1400R PARTS ILLUSTRATIONS AND PARTS LISTS



## CABINET ASSEMBLY

ITEM NUMBER	PART NUMBER	DESCRIPTION	ITEM NUMBER	PART NUMBER	DESCRIPTION
1	03-1404-09	(6) Screws	18	03-1404-19	(2) Screws
2	03-1407-03	(2) Washers	19	03-1417-03	(2) Washers
3	A30744-001	Panel Top (Enamel)	20	03-1404-10	(8) Screws, 8 x 1/2 (Stainless)
	A30744-002	Panel Top (Stainless)	21	A31806-001	Panel, left front (Enamel)
4	03-1404-10	Screw, (Stainless)		A31806-002	Panel, left front (Stainless)
5	No Number	Liner Guide	22	03-1404-19	(2) Screws
6	A30329-001	Liner Top	23	03-1417-03	(2) Washers
7	No Number	Upper Front Brace	24	No Number	Base Fab Assembly
8	A29164-003	Right Panel (Enamel)	25	02-2533-01	Liner Left Side
	A29164-002	Right Panel (Stainless)	26	No Number	(4) Bushing
9	A29204-001	Brace Front	27	No Number	(2) Bushing
10	03-1404-10	Screw (Stainless)	28	03-1407-03	(2) Washer
11	02-2532-01	Liner Cap	29	03-1404-10	(4) Screws
12	No Number	Liner Guide	30	A29168-003	Panel, left side (Enamel)
13	13-0595-00	Gasket — Foam Per Ft.		A29168-002	Panel, left side (Stainless)
14	02-2795-01	Liner Front Panel	31	03-1404-09	(4) Screws
15	03-0271-00	(2) Speed Clip	32	A31606-001	Panel, left back
16	A30743-001	Panel, right front (Enamel)	33	No Number	Retainer
	A30743-002	Panel, right front (Stainless)	34	03-1404-09	(4) Screws
17	15-0711-01	Emblem	35	02-2531-01	Liner back
			36	A31846-001	Bracket, Bin Control (3)
			37	A31847-001	Bin Thermo Bracket

# CM1400R PARTS ILLUSTRATIONS AND PARTS LISTS



11	03-1407-05	Washer
12	03-0571-01	Screw, 1/4 x 20 x 3/4
13	11-0422-02	Head Pressure Regulator
14	03-1405-20	Screw, 5/15-18 x 1-1/2
15	03-1407-07	Washer
16	18-5100-50	Sleeve
17	18-5100-51	Grommet
18	12-2308-01	Crankcase Heater
19	18-6200-02	Compressor, (208-230/60/1)
	18-6200-03	Compressor, (208-230/60/3)
20	12-2290-02	Hot Gas Valve
21	03-1406-12	Nut, 3/8-16
22	03-1410-05	Lockwasher, 3/8
23	A31801-001	Receiver Bracket
24	03-1407-05	Washer
25	03-0571-01	Screw, 1/4-20 x 3/4
26	16-0783-01	Accumulator
27	A31813-001	Tube, Compressor Accumulator
28	16-0560-00	Valve Core
29	16-0563-00	Valve Cap

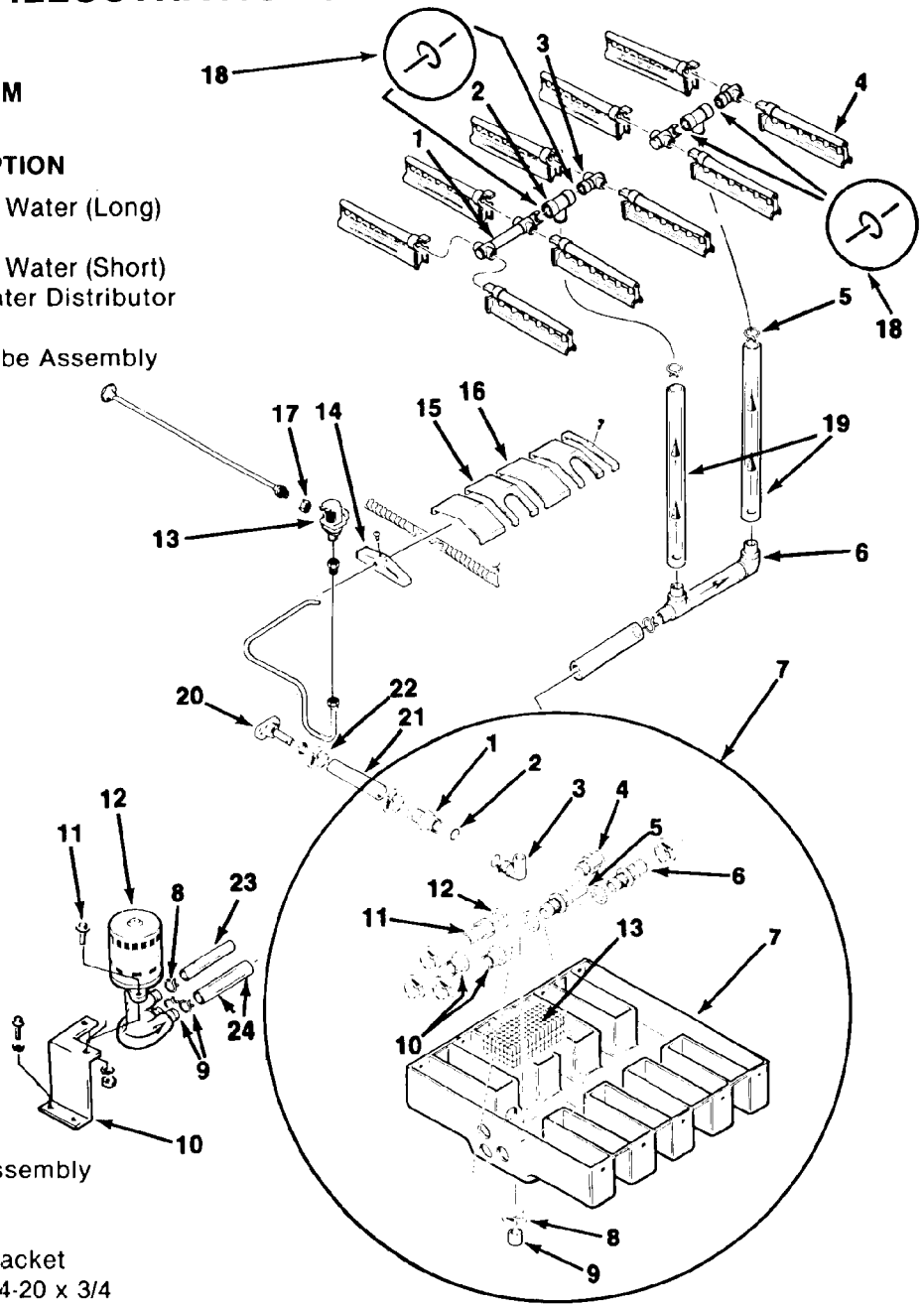
## REFRIGERATION SYSTEM

ITEM NUMBER	PART NUMBER	DESCRIPTION
1	A31544-001	Evaporator Manifold
2	A31816-001	Manifold Assembly
3	16-0758-03	Expansion Valve
4	16-0762-01	Sight Glass
5	12-2274-01	Solenoid Liquid Line
6	02-2426-02	Drier
7	16-0761-01	Receiver
8	A31801-001	Bracket Receiver
9	03-1410-06	Washer
10	03-1406-13	Nut 1/2 x 13
30	12-2309-01	Crankcase Heater Clip
31	No Number	Overload (Internal)
32	12-2300-01	Hi-Temp Cut-Out Switch (Single Phase)
	12-2300-02	Hi-Temp Cut-Out Switch (Three Phase)
33	A30296-020	Evaporator Plate

# CM1400R PARTS ILLUSTRATIONS AND PARTS LISTS

## WATER SYSTEM

ITEM NUMBER	PART NUMBER	DESCRIPTION
1	02-2521-01	Manifold Water (Long)
2	02-2519-01	Tee
3	A29703-001	Manifold Water (Short)
4	02-2527-01	Tube, Water Distributor
5	02-2814-01	Clamp
6	A29730-001	Water Tube Assembly

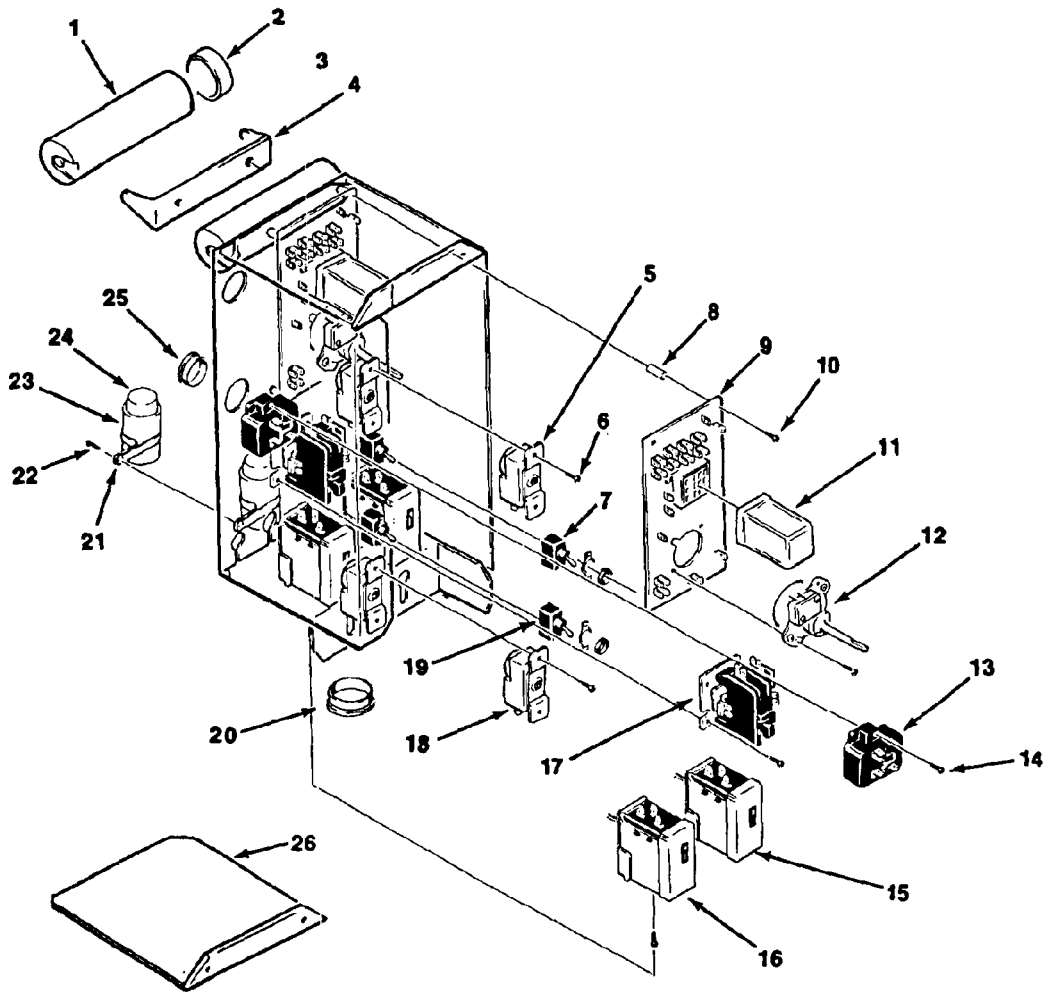


7	A30761-020	Sump Assembly
8	02-1530-01	Clamp
9	02-1800-01	Clamp
10	A30666-001	Pump Bracket
11	03-0571-01	Screw 1/4-20 x 3/4
12	12-2256-22	Water Pump
13	12-1646-04	Water Valve
14	02-2523-01	End Cover - Sump
15	02-2520-02	Sump Cover
16	02-2520-01	Sump Cover - Center
17	16-0643-01	Half Union
18	13-0617-48	O-Ring
19	13-0674-07	Hose (18.5")
20	A31757-002	Drain
21	13-0674-07	Tube - Drain (7.0")
22	02-2814-12	Hose Clamp
23	13-0674-07	Tygon Tube (by the ft.) Need 6.25"
24	13-0674-08	Tygon Tube (by the ft.) Need 6.6"

## SUMP ASSEMBLY

ITEM NUMBER	PART NUMBER	DESCRIPTION
1	02-2606-01	Female Tube
2	13-0617-02	O-ring
3	02-2125-01	Elbow
4	A29342-001	Overflow
5	02-2792-01	Pick-up Tube
6	02-2793-01	Inlet Tube
7	No Number	Sump
8	02-1530-01	Clamp
9	13-0796-01	Rubber Cap
10	02-2791-01	Water Inlet Nut
11	02-2606-01	Female Tube
12	13-0617-02	O-ring
13	A30760-001	Screen

# CM1400R SERVICE PARTS



## CONTROL BOX

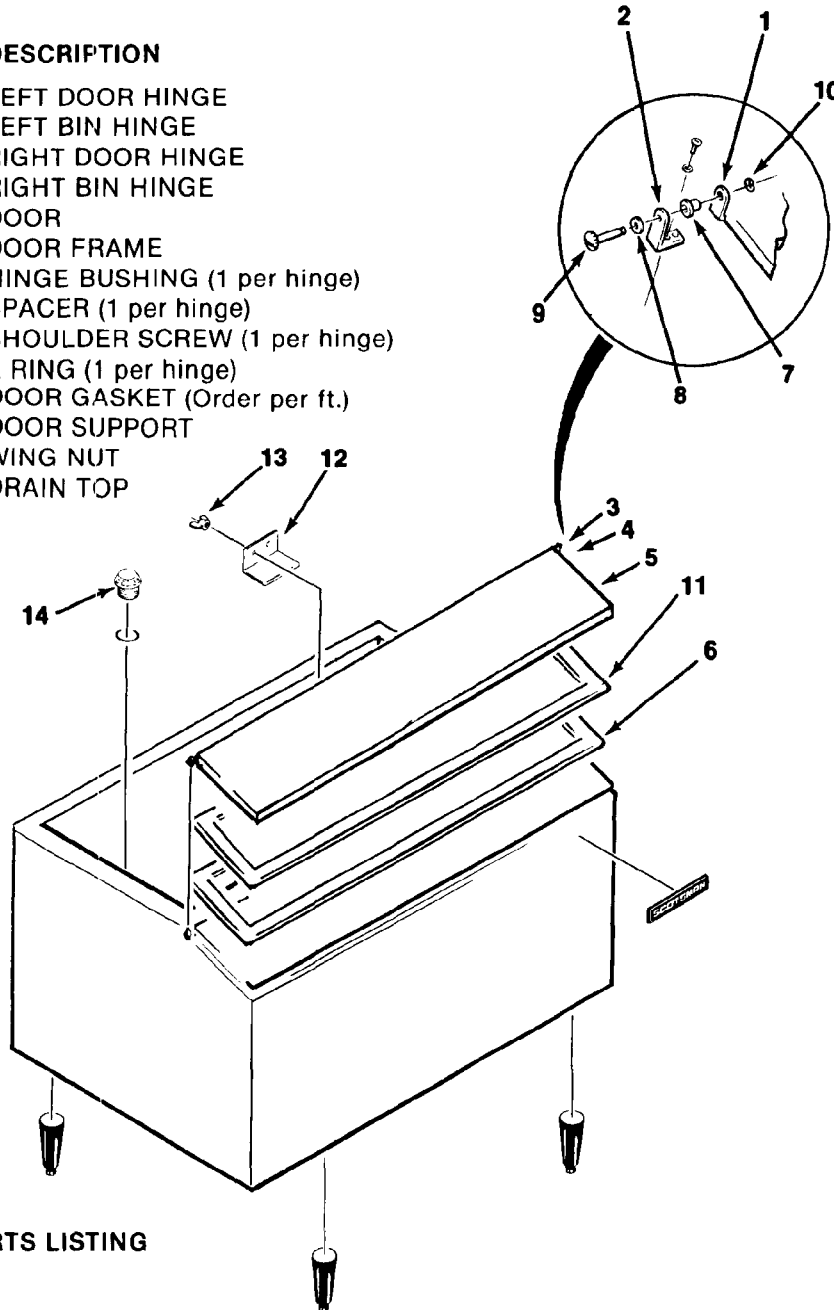
ITEM NUMBER	PART NUMBER	DESCRIPTION	ITEM NUMBER	PART NUMBER	DESCRIPTION
1	18-1901-27	Start Capacitor	15	11-0443-01	Lo Pressure Control
2	18-3850-38	Cap, Capacitor	16	11-0425-01	Hi Pressure Control
3	03-1419-05	Screw	17	12-2048-02	Contactora single phase
4	18-2200-39	Bracket, Cap		12-0739-02	Contactora, 3 phase
5	11-0437-01	Cube Size Control	18	11-0427-22	Bin Thermostat
6	03-1403-17	Screw	19	12-0426-01	Switch SPST
7	12-2255-01	Switch	20	12-1213-14	Snap Bushing
8	02-2242-02	Stand off	21	A09388-000	Brace for capacitor
9	12-1912-01	Circuit Board	22	03-1531-01	Screw
10	03-1403-03	Screw	23	18-1902-27	Run Capacitor
11	12-1879-03	Relay	24	13-0666-00	Terminal Cover
12	12-1980-02	Timer and Switch Assy	25	12-1213-17	Snap Bushing
13	18-1903-28	Potential Relay	26	A31799-001	Control Box Cover
14	03-1531-01	Screw			

October, 1989

# CM1400R PARTS ILLUSTRATIONS AND PARTS LISTS

## BH750 MODULAR BIN

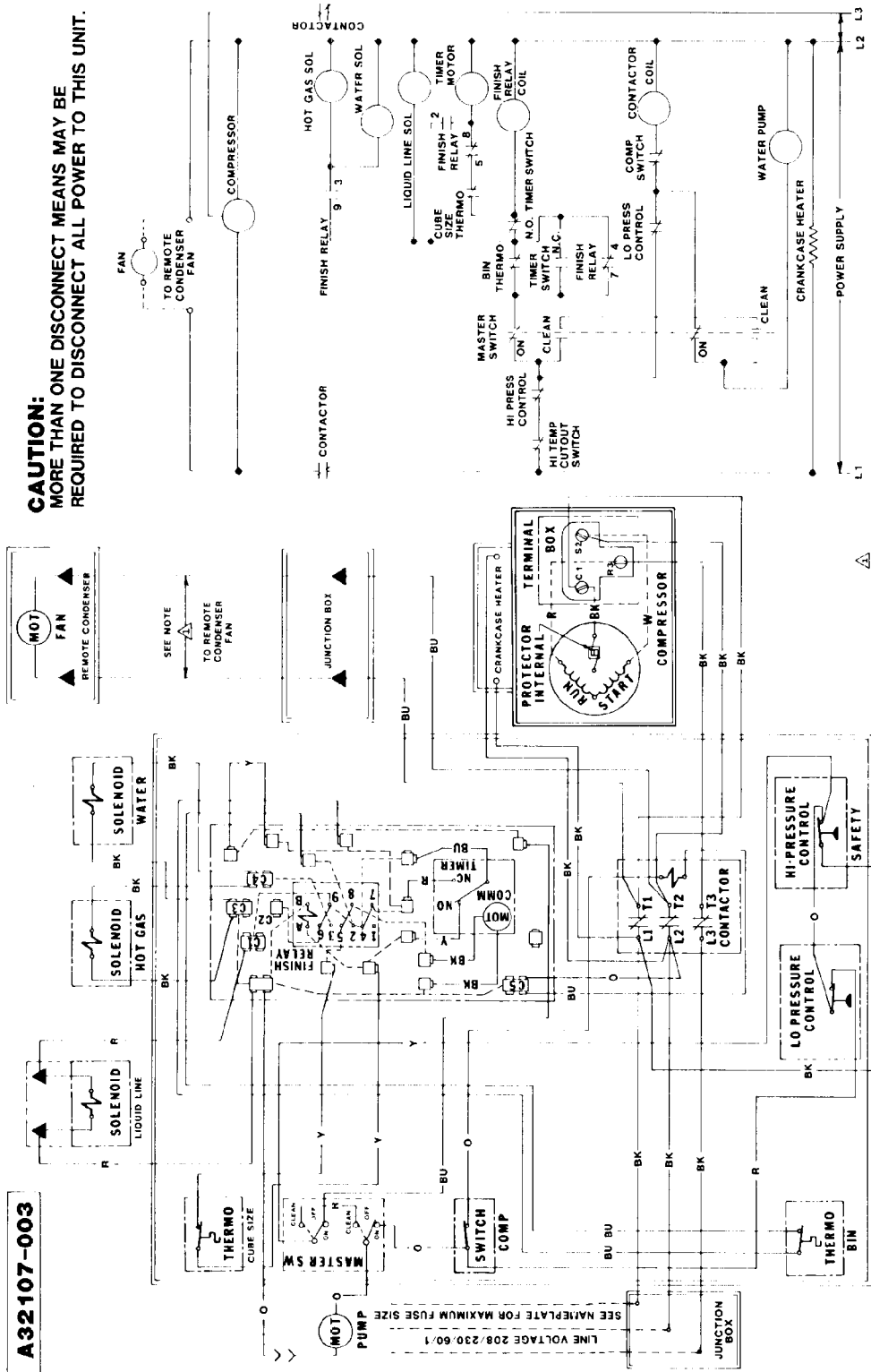
ITEM NUMBER	PART NUMBER	DESCRIPTION
1	A29210-001	LEFT DOOR HINGE
2	A29213-001	LEFT BIN HINGE
3	A29210-002	RIGHT DOOR HINGE
4	A29213-002	RIGHT BIN HINGE
5	A29216-020	DOOR
6	A29407-020	DOOR FRAME
7	02-2380-01	HINGE BUSHING (1 per hinge)
8	02-2380-02	SPACER (1 per hinge)
9	02-2806-01	SHOULDER SCREW (1 per hinge)
10	03-1539-09	E RING (1 per hinge)
11	13-0595-00	DOOR GASKET (Order per ft.)
12	A29849-001	DOOR SUPPORT
13	03-0255-00	WING NUT
14	02-2809-01	DRAIN TOP



BH1000 NO SERVICE PARTS LISTING

# CM1400R PARTS ILLUSTRATIONS AND PARTS LISTS

**CAUTION:**  
MORE THAN ONE DISCONNECT MEANS MAY BE  
REQUIRED TO DISCONNECT ALL POWER TO THIS UNIT.



NOTE: DASHED LINES INDICATE FIELD WIRING WHICH MUST BE INSTALLED IN ACCORDANCE WITH THE NATIONAL ELECTRICAL CODE USING A MINIMUM OF 14 GA. AWG WIRE.

**USE COPPER CONDUCTORS ONLY**

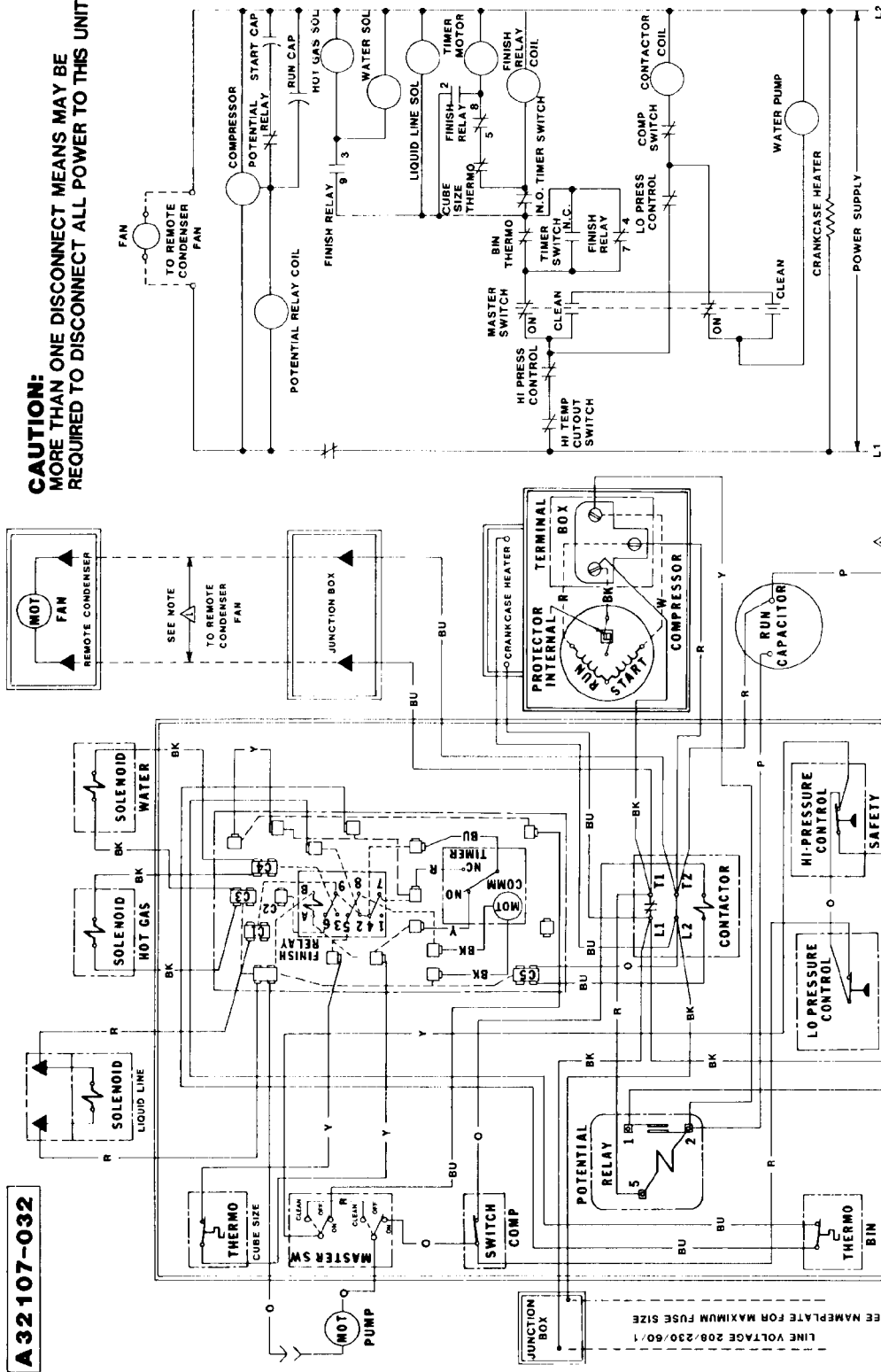
**A32107-003**

**THIS UNIT MUST BE GROUNDED**

Wiring Diagram — CM1400RE-3A 208-230/60/3 Remote Air

# CM1400R PARTS ILLUSTRATIONS AND PARTS LISTS

**CAUTION:**  
MORE THAN ONE DISCONNECT MEANS MAY BE  
REQUIRED TO DISCONNECT ALL POWER TO THIS UNIT.



**A 32107-032**

Wiring Diagram — CM1400RE-32A 208-230/60/1 Remote Air