

# **CM1400 Parts List**

## **Table of Contents**

**Cabinet**

**Refrigeration**

**Air & Water Cooled**

**Water System**

**Control Box**

**BH1000**

**Wiring Diagrams**

# CM1400 PARTS ILLUSTRATIONS AND PARTS LISTS

## GENERAL

This section contains the Parts illustrations and the Parts List for each of the major assemblies of the Model CM1400 Cuber.

A *No Number* designation, when used in the Part Number Column indicates the unit is not available from SCOTSMAN as an assembly. This designation is used only for the convenience and clarity of division in cataloging.

## HOW TO ORDER PARTS OR ASSEMBLIES

When ordering parts or assemblies, to avoid costly delays and errors in shipment, give the part number, the complete description shown in the list and the quantities of each part or assembly required. Also include the model name, the serial number of the icemaker for which the part is required and for parts which require color matching, the color of the cabinet.

All part numbers have TEN DIGITS (spaces), required for use in the Computer System. BE SURE to fill in ALL SPACES in the CATALOG NUMBER column on the parts order form.

Enter the QUANTITY of the parts ordered in the last digit column under the QUANTITY column heading, the one under the small 55 number, for parts from 1 thru 9. For 10 or more parts use two columns.

To be sure you receive the proper parts in the proper quantities, ALWAYS use the PART NUMBERS and DESCRIPTIONS given in the Parts Manuals.

Write an order for the part. Use SCOTSMAN Parts Order Form (DN103). Be sure to include:

- Distributor Name.
- (Use for DROP-SHIP order ONLY.)
- Distributor Purchase Order Number.
- Carrier.
- How shipped (Truck, Rail, UPS, etc.)
- Date ordered.
- Part Catalog Number. (Use full TEN digits (spaces) listed in Parts Manual, including dashes between numbers.)
- Description - as listed in Parts Manual.
- Quantity - number of parts ordered. (Use far right column.)

## CM1400 WIRING DIAGRAMS

This section is provided as an aid in understanding the electrical circuitry of the CM1400 Modular Cuber.

### ////////// WARNING //////////

When conducting a continuity check of the modular cuber:

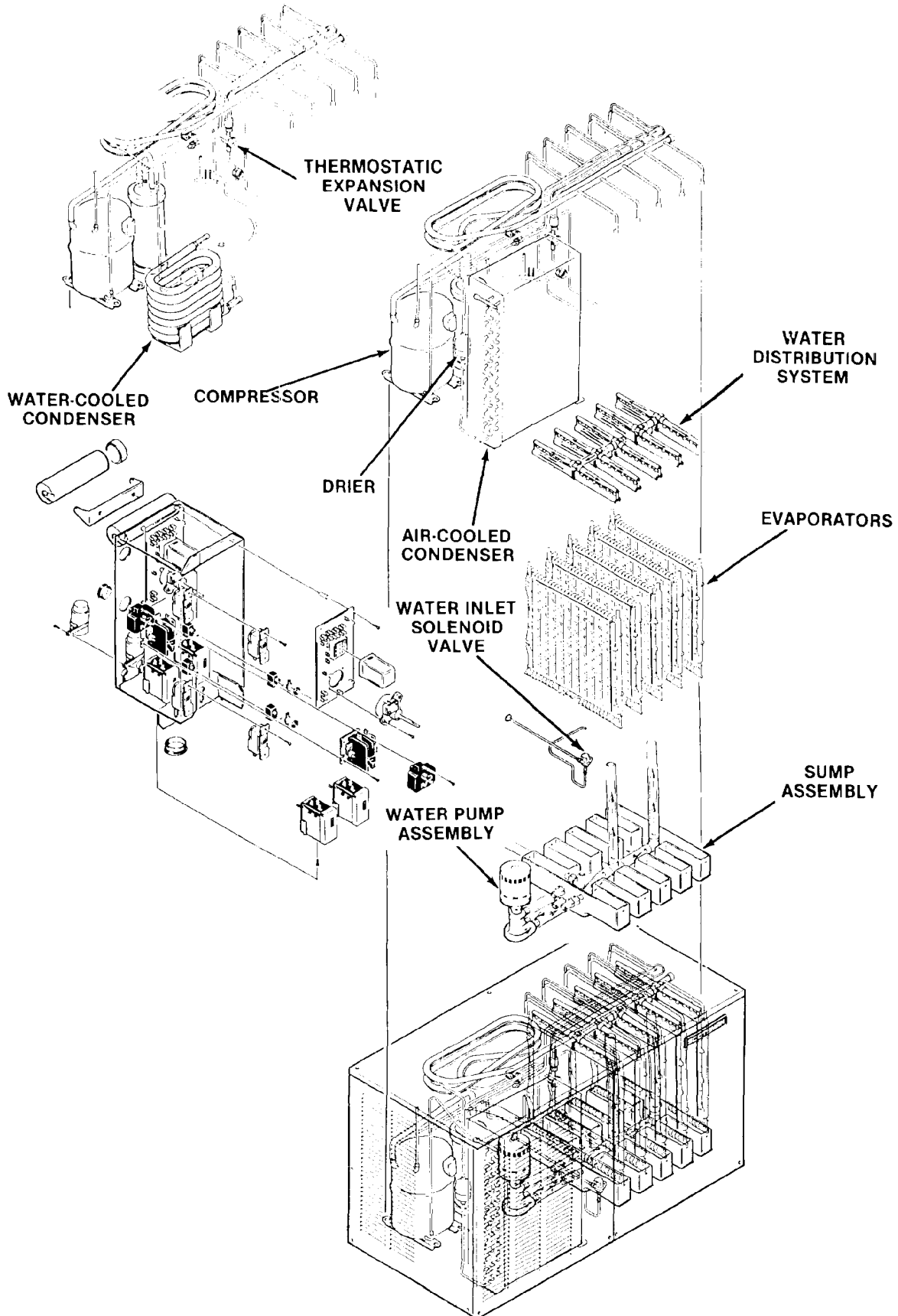
1. Disconnect the main power source.
2. DO NOT use an incandescent lamp or jumper wire, conduct all tests with a volt-ohm-meter.

////////////////////////////////////

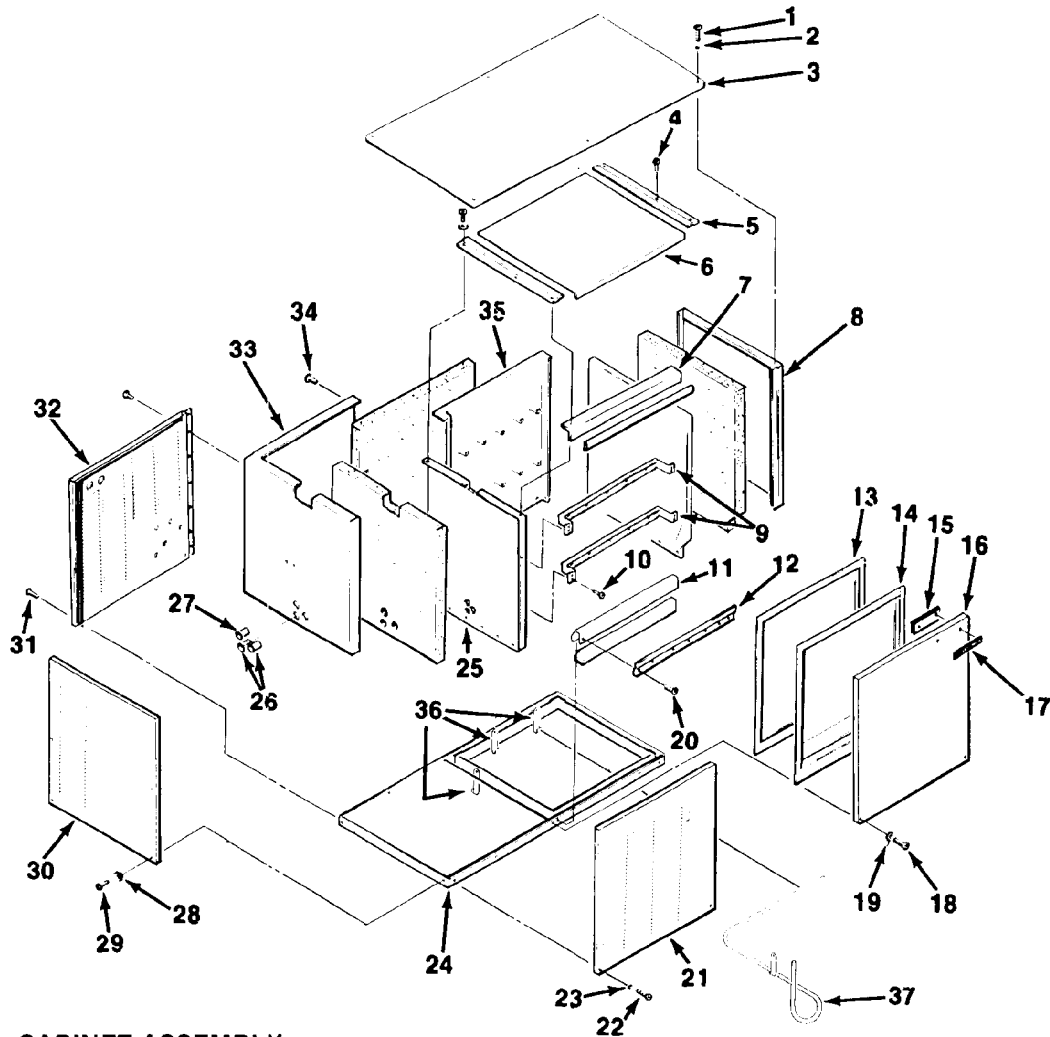
The wiring diagrams in this Section are:

- CM1400AE-3A 208-230/60/3 - Air-Cooled
- CM1400WE-3A 208-230/60/3 - Water-Cooled
- CM1400AE-32A 208-230/60/1 - Air-Cooled
- CM1400WE-32A 208-230/60/1 - Water-Cooled

# CM1400 PARTS ILLUSTRATIONS AND PARTS LISTS



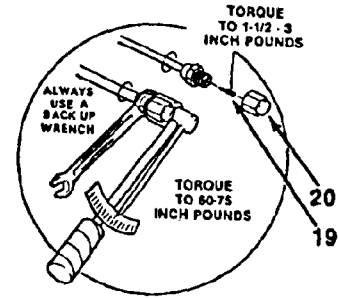
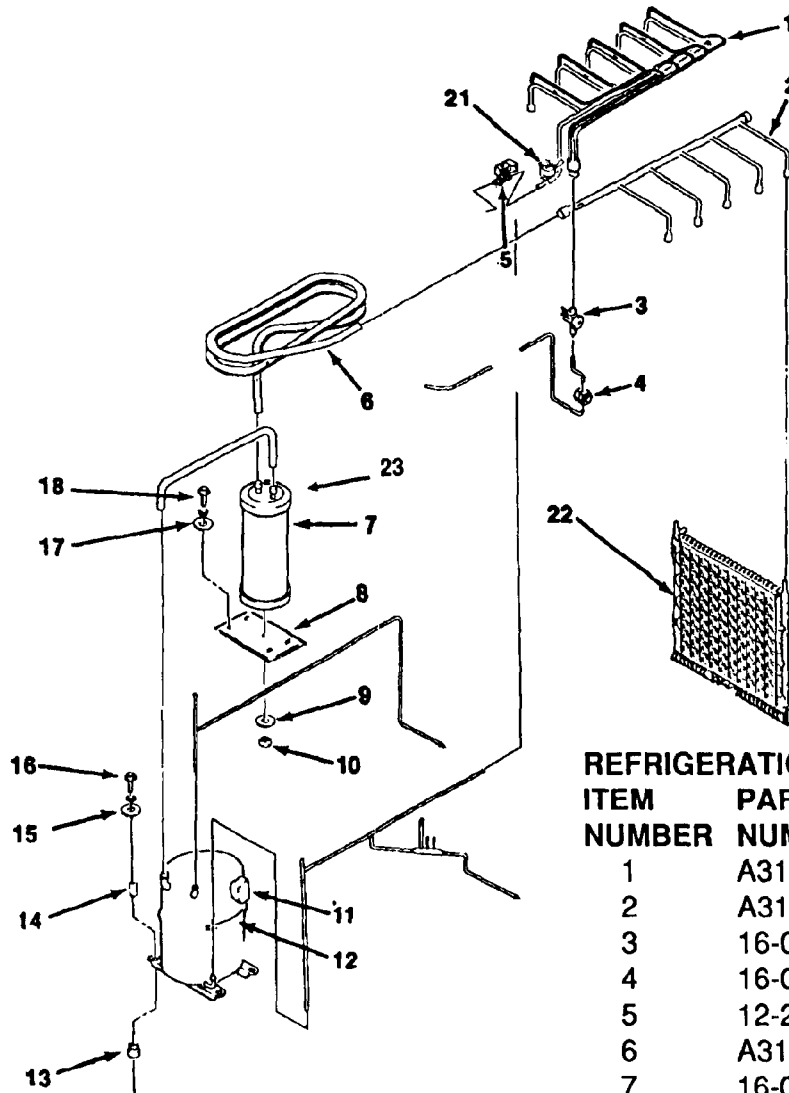
# CM1400 PARTS ILLUSTRATIONS AND PARTS LISTS



## CABINET ASSEMBLY

ITEM NUMBER	PART NUMBER	DESCRIPTION
1	03-1404-09	(6) Screws
2	03-1407-03	(2) Washers
3	A30744-001	Panel Top (Enamel)
	A30744-002	Panel Top (Stainless)
4	03-1404-10	Screw,
5	No Number	Liner Guide
6	A30329-001	Liner Top
7	No Number	Upper Front Brace
8	A29164-003	Right Panel (Enamel)
	A29164-002	Right Panel (Stainless)
9	A29204-001	Brace Front
10	03-1404-10	Screw (Stainless)
11	02-2532-01	Liner Cap
12	No Number	Liner Guide
13	13-0595-00	Gasket — Foam Per Ft.
14	02-2795-01	Liner Front Panel
15	03-0271-00	(2) Speed Clip
16	A30743-001	Panel, right front (Enamel)
	A30743-002	Panel, right front (Stainless)
17	15-0711-01	Emblem
18	03-1404-19	(2) Screws
19	03-1417-03	(2) Washers
20	03-1404-10	(8) Screws, (Stainless)
21	A31806-001	Panel, left front (Enamel)
	A31806-002	Panel, left front (Stainless)
22	03-1404-19	(2) Screws 8 x 1
23	03-1417-03	(2) Washers
24	No Number	Base Fab Assembly
25	02-2533-01	Liner Left Side
26	No Number	(4) Bushing
27	No Number	(2) Bushing
28	03-1407-03	(2) Washer
29	03-1404-10	(4) Screws (Stainless)
30	A29168-003	Panel, left side (Enamel)
	A29168-002	Panel, left side (Stainless)
31	03-1404-09	(4) Screws
32	A31606-001	Panel, left back
33	No Number	Retainer
34	03-1404-09	(4) Screws
35	02-2531-01	Liner back
36	A31846-001	Bracket, Bin Control (3)
37	A31847-001	Bin Thermo Bracket

# CM1400 SERVICE PARTS



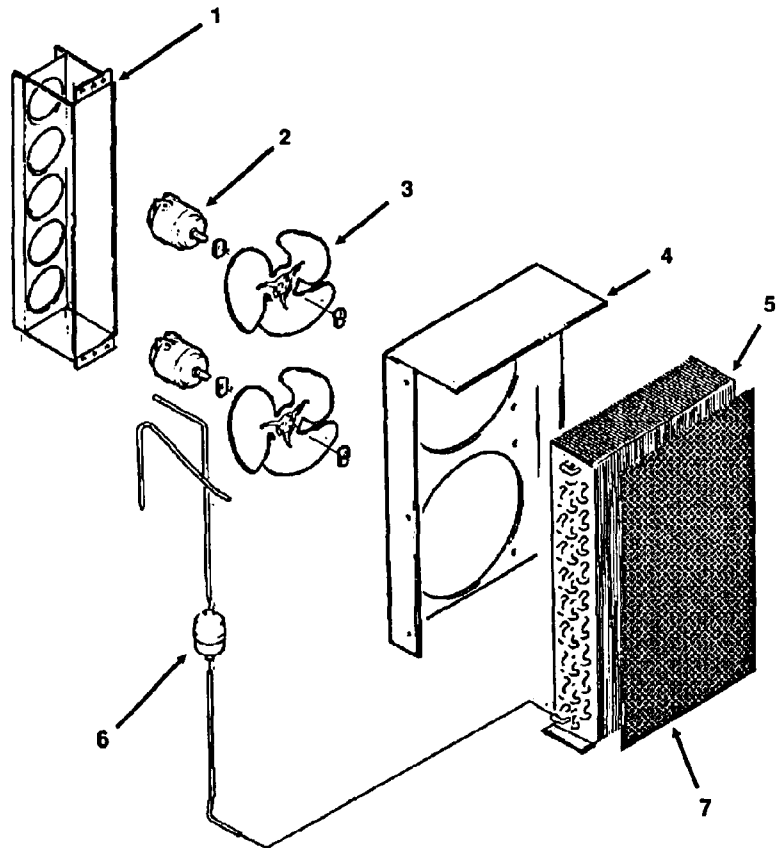
## REFRIGERATION SYSTEM

ITEM NUMBER	PART NUMBER	DESCRIPTION
1	A31544-001	Evaporator Manif. Assem.
2	A31816-001	Manifold Assembly
3	16-0758-03	Expansion Valve
4	16-0762-01	Sight Glass
5	12-2290-02	Hot Gas Solenoid
6	A31813-001	Heat Exchanger Assem.
7	16-0783-01	Accumulator
8	A31801-001	Receiver Bracket
9	03-1410-05	Lockwasher
10	03-1406-12	Nut
11	no number	Compressor Overload (Int.)
12	18-6200-01	Compressor, 208-230/60/1
	18-6200-03	Compressor, 208-230/60/3
13	18-5100-51	Grommet
14	18-5100-50	Sleeve
15	03-1407-07	Washer
16	03-1405-20	Screw
17	03-1407-05	Washer
18	03-0571-01	Screw
19	16-0560-00	Valve Core
20	16-0563-00	Cap
21	12-2300-01	Hi Temp Swicth
22	A30296-020	Evaporator Plate
23	02-2870-01	Insulation Half (for Accum)

# CM1400 SERVICE PARTS

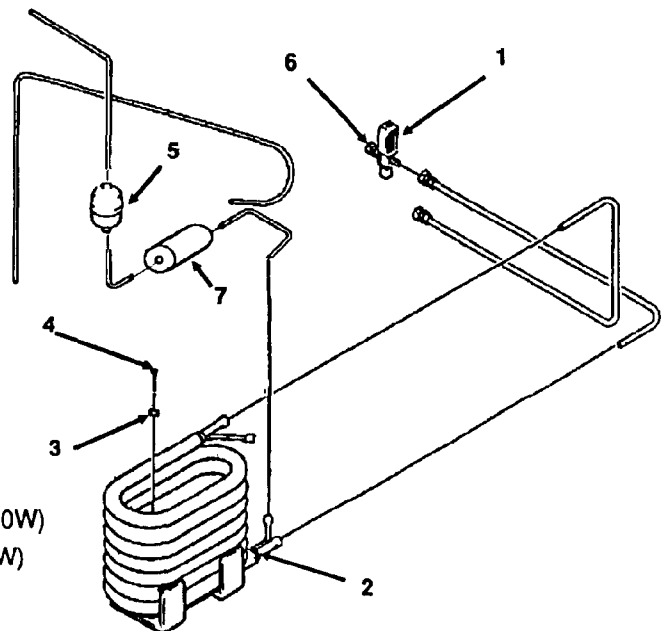
## AIR COOLED MODELS

ITEM NUMBER	PART NUMBER	DESCRIPTION
1	A31800-001	Fan Bracket
2	18-5105-02	Fan Motor
3	18-3732-01	Fan Blade
4	A31832-001	Condenser Shroud
5	18-6303-01	Condenser
6	02-2426-02	Drier
7	A32975-003	Filter



## WATER COOLED MODELS

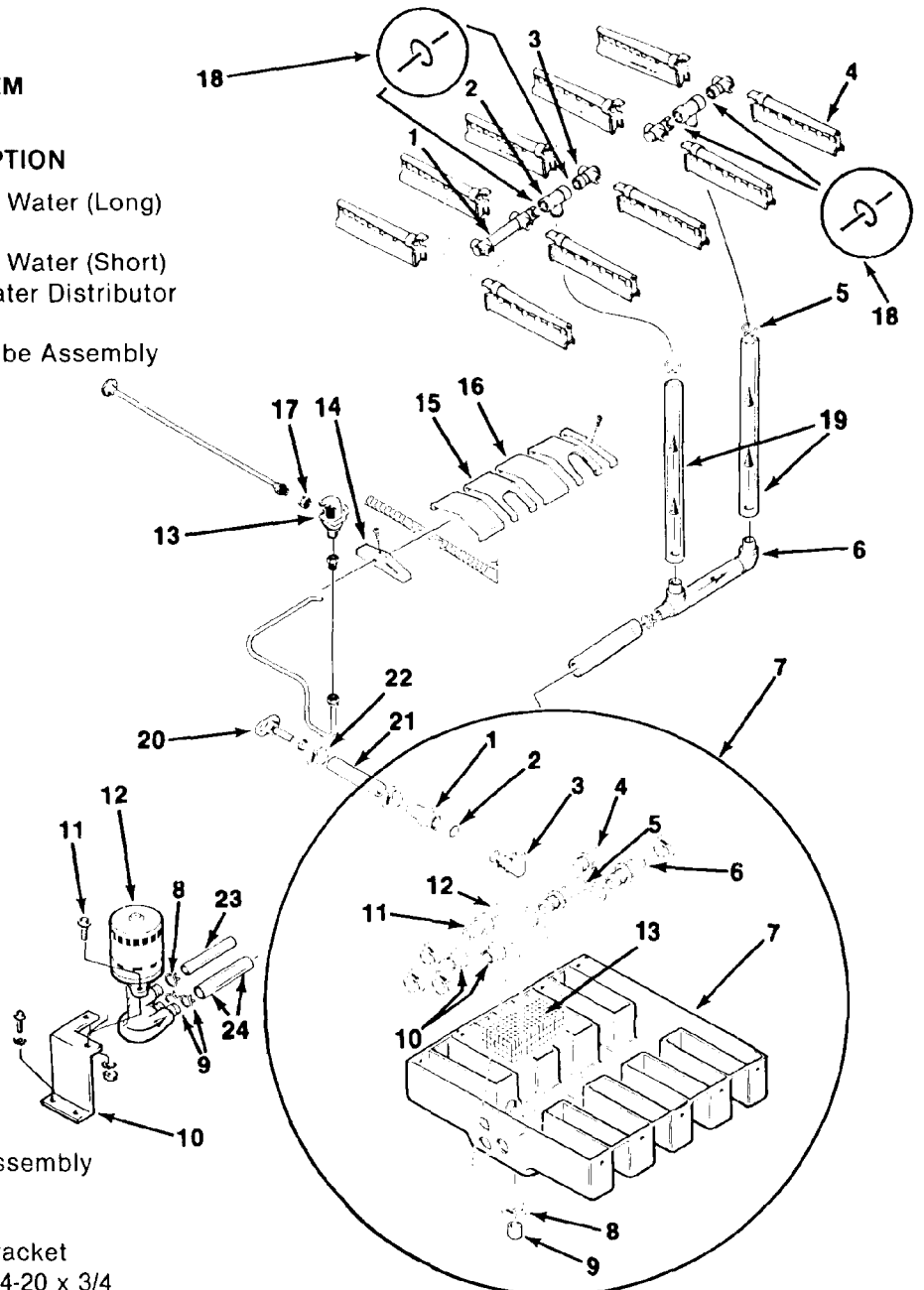
ITEM NUMBER	PART NUMBER	DESCRIPTION
1	11-0424-01	Water Regulator Valve
2	18-6302-01	Condenser, Water Cooled
3	03-1407-05	Washer
4	03-0571-01	Screw
5	02-2426-02	Drier
6	16-0355-00	Coupling - Half Union
7	02-2628-01	Receiver, used on: (-32 begining SN 114847-10W) (-3 begining SN 116680-01W)



# CM1400 PARTS ILLUSTRATIONS AND PARTS LISTS

## WATER SYSTEM

ITEM NUMBER	PART NUMBER	DESCRIPTION
1	02-2521-01	Manifold Water (Long)
2	02-2519-01	Tee
3	A29703-001	Manifold Water (Short)
4	02-2527-01	Tube, Water Distributor
5	02-2814-01	Clamp
6	A29730-001	Water Tube Assembly

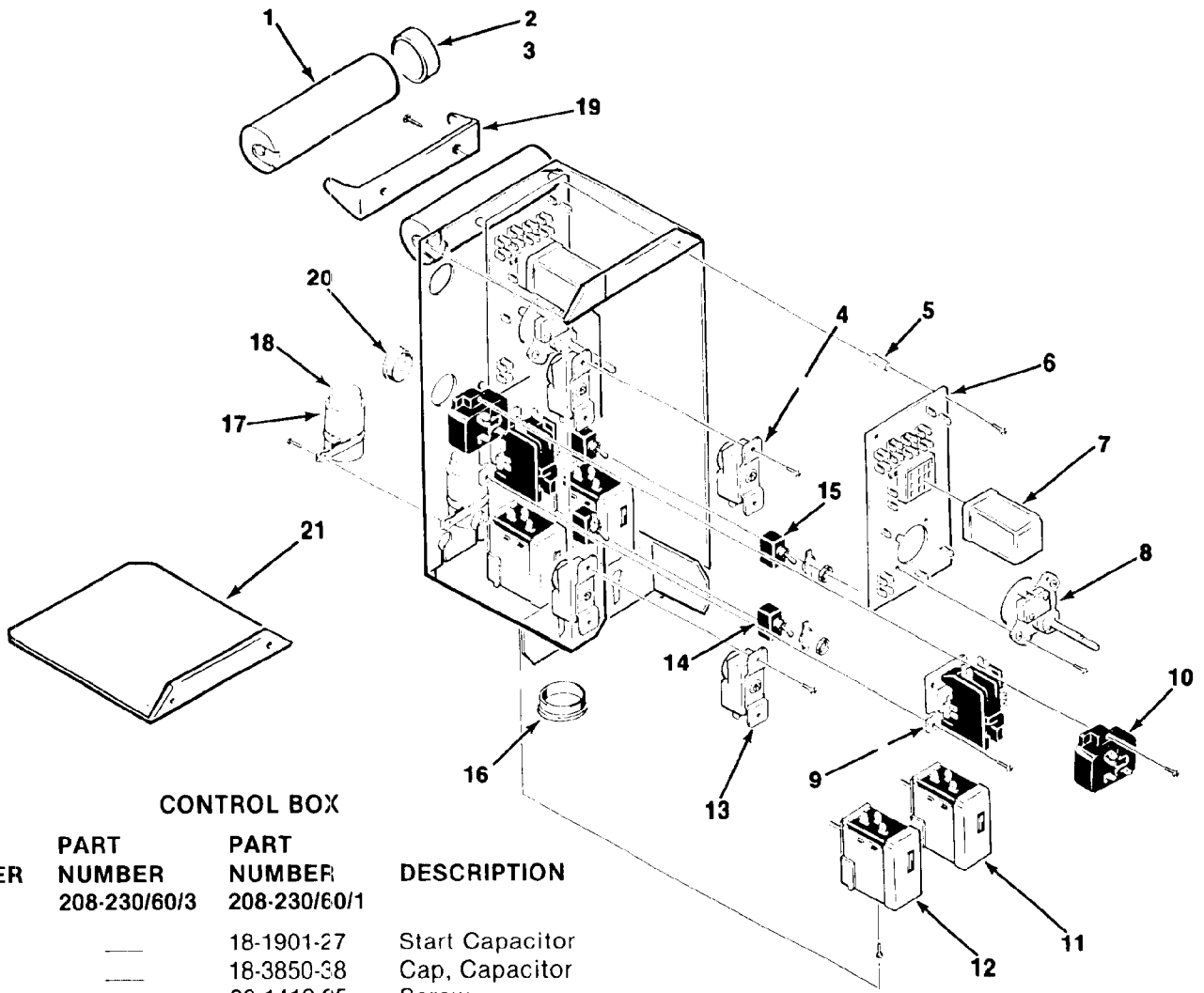


7	A30761-020	Sump Assembly
8	02-1530-01	Clamp
9	02-1800-01	Clamp
10	A30666-001	Pump Bracket
11	03-0571-01	Screw 1/4-20 x 3/4
12	12-2256-22	Water Pump
13	12-1646-04	Water Valve
14	02-2523-01	End Cover - Sump
15	02-2520-02	Sump Cover
16	02-2520-01	Sump Cover - Center
17	16-0643-01	Half Union
18	13-0617-48	O-Ring
19	13-0674-07	Hose (18.5")
20	A31757-002	Drain
21	13-0674-07	Tube - Drain (7.0")
22	02-2814-12	Hose Clamp
23	13-0674-07	Tygon Tube (by the ft.) Need 6.25"
24	13-0674-08	Tygon Tube (by the ft.) Need 6.6"

## SUMP ASSEMBLY

ITEM NUMBER	PART NUMBER	DESCRIPTION
1	02-2606-01	Female Tube
2	13-0617-02	O-ring
3	02-2125-01	Elbow
4	A29342-001	Overflow
5	02-2792-01	Pick-up Tube
6	02-2793-01	Inlet Tube
7	No Number	Sump
8	02-1530-01	Clamp
9	13-0796-01	Rubber Cap
10	02-2791-01	Water Inlet Nut
11	02-2606-01	Female Tube
12	13-0617-02	O-ring
13	A30760-001	Screen

# CM1400 PARTS ILLUSTRATIONS AND PARTS LISTS



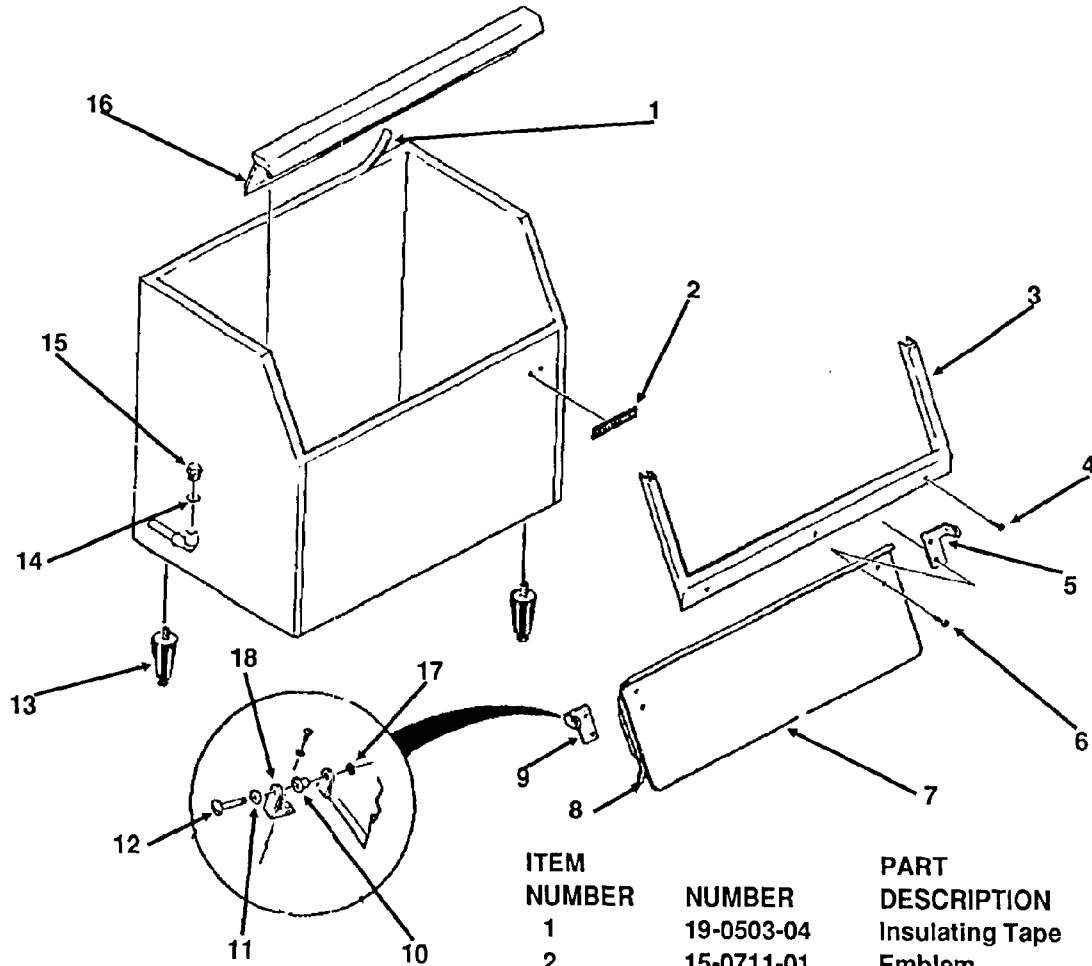
## CONTROL BOX

ITEM NUMBER	PART NUMBER 208-230/60/3	PART NUMBER 208-230/60/1	DESCRIPTION
1	---	18-1901-27	Start Capacitor
2	---	18-3850-38	Cap, Capacitor
3	---	03-1419-05	Screw
4	11-0436-01	11-0436-01	Cube Size Control (Air-Cooled)
	11-0436-01	11-0436-C1	Cube Size Control (Water-Cooled)
5	02-2242-02	02-2242-02	Stand-Off, 5/8 inch
6	12-1912-01	12-1912-01	Circuit Board
7	12-1879-03	12-1879-03	Relay
8	12-1980-02	12-1980-02	Timer and Switch Assembly
9	12-0739-02	12-2048-02	Contactor
10	---	18-1903-28	Potential Relay
11	11-0425-01	11-0410-02(W/C)	Pressure Control Hi
12	11-0426-01	11-0426-01	Pressure Control Fan
13	11-0427-02	11-0427-02	Bin Thermostat Control
14	12-0426-01	12-0426-01	Switch Master
15	12-2310-01	12-2310-01	Switch, Comp.
16	---	12-1213-04	Snap Bushing
17	---	18-1902-27	Run Capacitor
18	---	13-0666-00	Terminal Cover
19	---	18-2200-39	Bracket Capacitor
20	---	12-1213-12	Snap Bushing
21	A31799-001	A31799-001	Control Box Cover

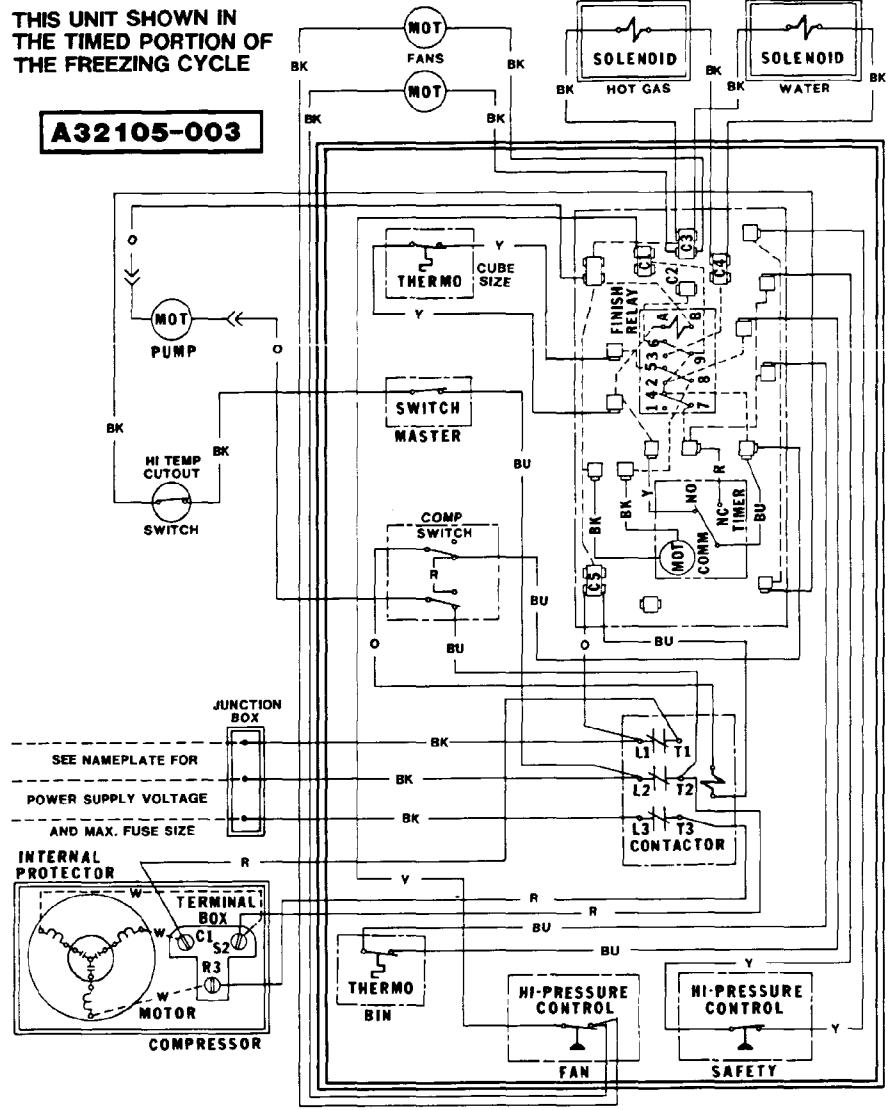


# CM1400 PARTS ILLUSTRATIONS AND PARTS LISTS

## BH1000AE AND BH1000AS SERVICE PARTS

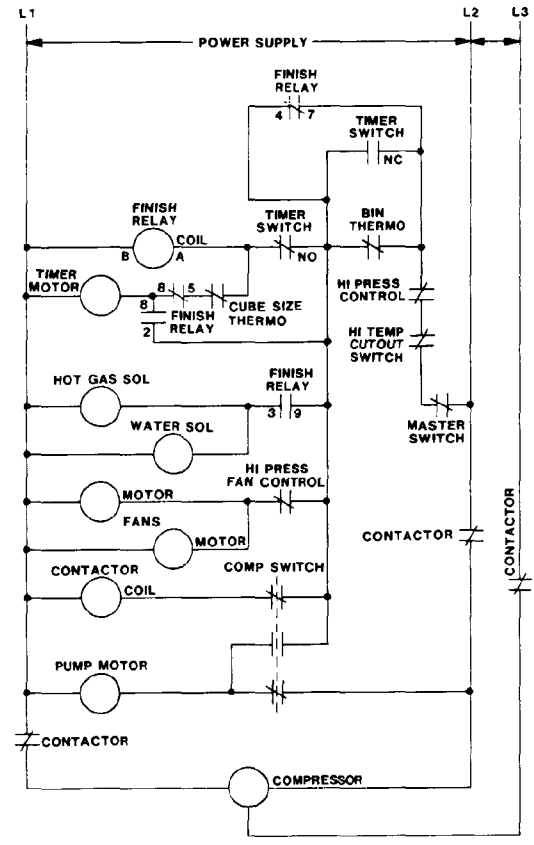


ITEM NUMBER	NUMBER	PART DESCRIPTION
1.	19-0503-04	Insulating Tape
2.	15-0711-01	Emblem
3.	A32521-001	Door Frame
4.	03-1404-06	Screw
5.	A32546-002	Right Door Hinge
6.	03-1403-15	Screw
7.	A32518-001	Door
8.	13-0595-00	Door gasket, req.11"
9.	A32546-001	Left Door Hinge
10.	02-2380-01	Hinge Bushing
11.	02-2380-02	Bushing
12.	02-2806-01	Screw
13.	no number	Legs
14.	13-0617-11	O-Ring
15.	02-2809-01	Drain top
16.	A32395-001	Canopy Assembly
17.	03-1539-09	E-Ring
18.	A32396-001	Hinge Member Left
	A32396-002	Hinge Member Right



**THIS UNIT MUST BE GROUND**

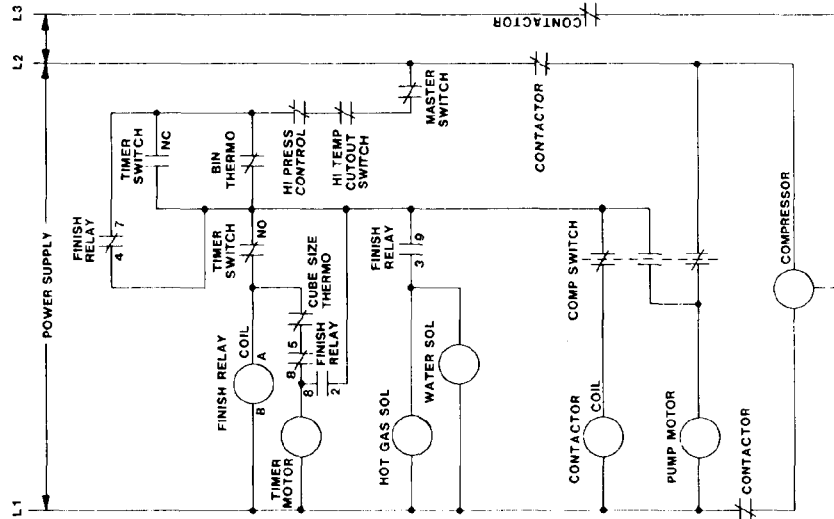
**CAUTION:**  
MORE THAN ONE DISCONNECT MEANS MAY BE REQUIRED TO DISCONNECT ALL POWER TO THIS UNIT



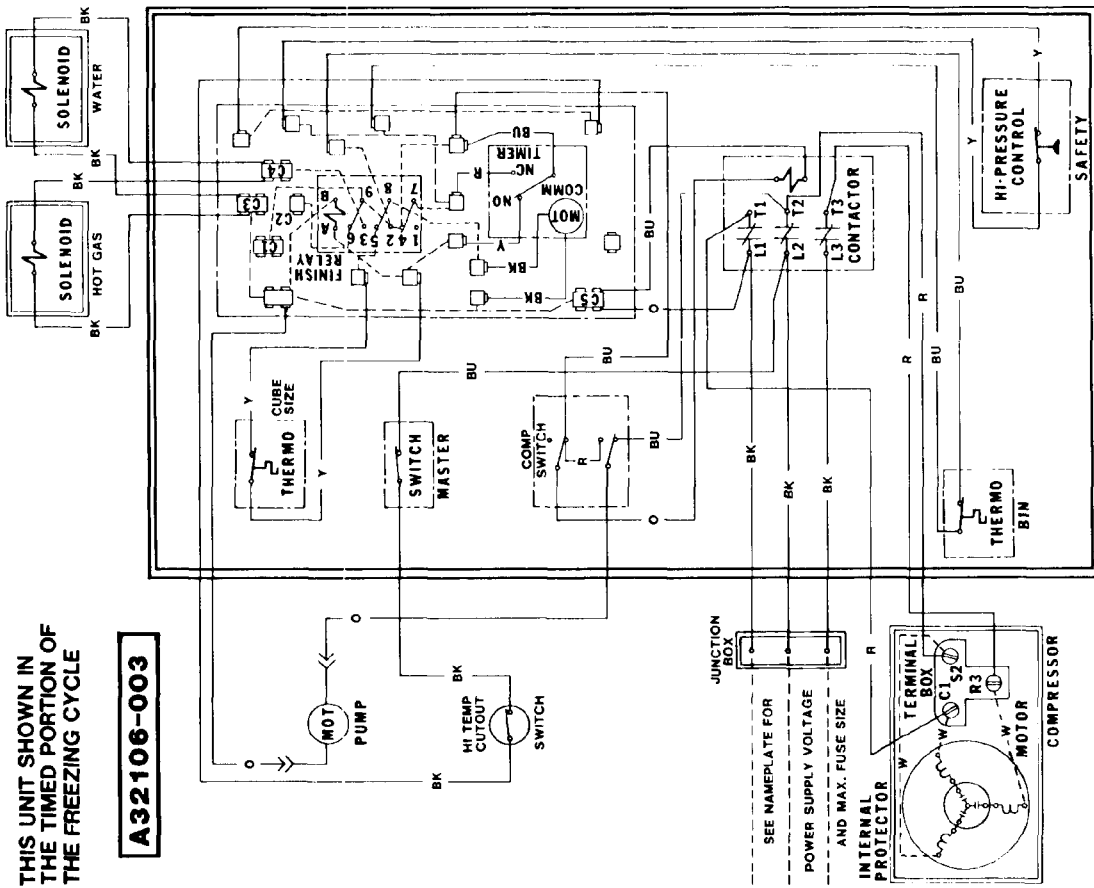
**USE COPPER CONDUCTORS ONLY**

# CM1400 PARTS ILLUSTRATIONS AND PARTS LISTS

**CAUTION:**  
 MORE THAN ONE DISCONNECT MEANS  
 MAY BE REQUIRED TO DISCONNECT  
 ALL POWER TO THIS UNIT

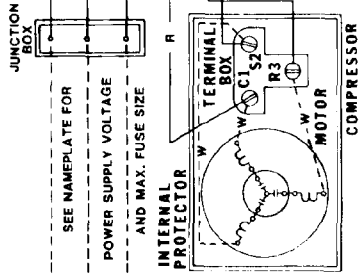


**USE COPPER CONDUCTORS ONLY**



THIS UNIT SHOWN IN  
 THE TIMED PORTION OF  
 THE FREEZING CYCLE

**A32106-003**

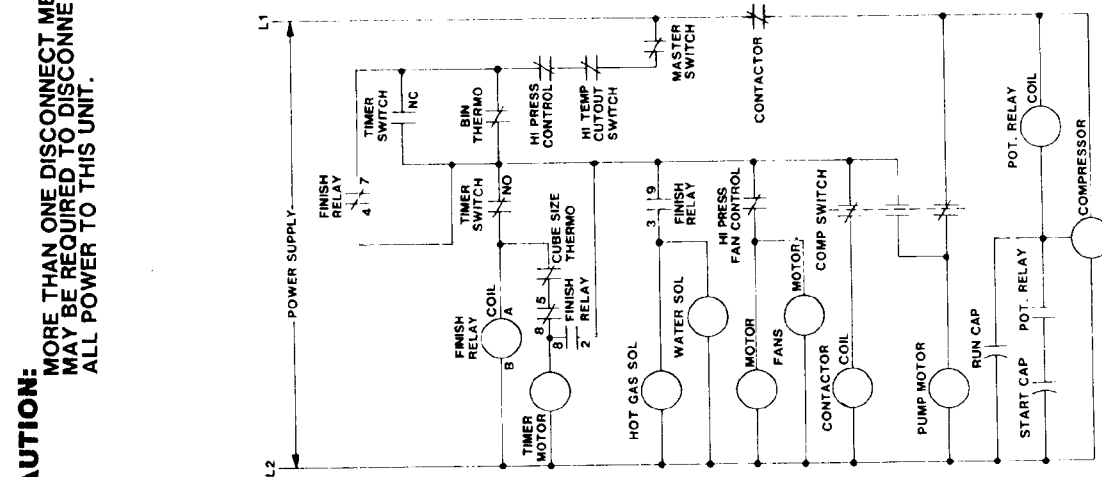


**THIS UNIT MUST BE GROUNDED**

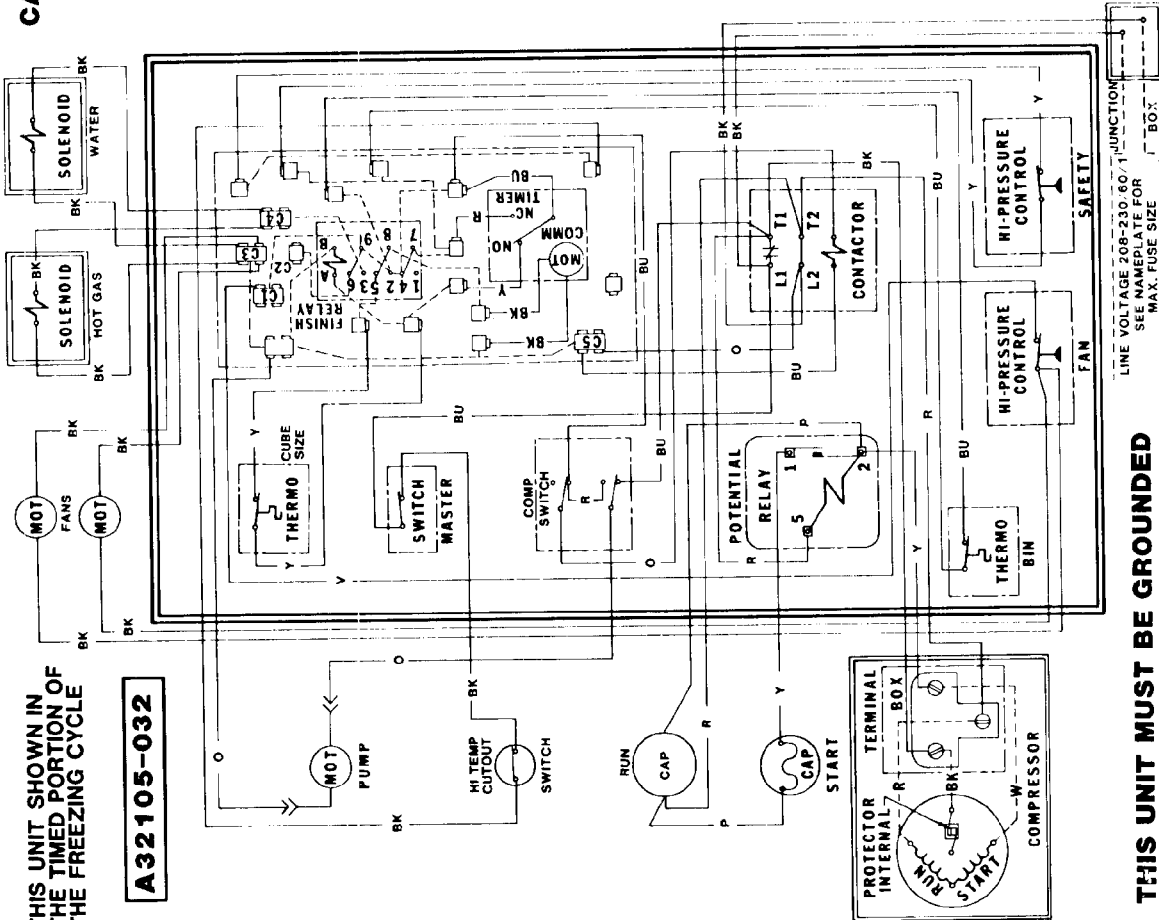
Wiring Diagram — CM1400WE-3A 208-230/60/3 Water-Cooled

# CM1400 PARTS ILLUSTRATIONS AND PARTS LISTS

**CAUTION:**  
 MORE THAN ONE DISCONNECT MEANS  
 MAY BE REQUIRED TO DISCONNECT  
 ALL POWER TO THIS UNIT.



**USE COPPER CONDUCTORS ONLY**



**THIS UNIT SHOWN IN  
 THE TIMED PORTION OF  
 THE FREEZING CYCLE**

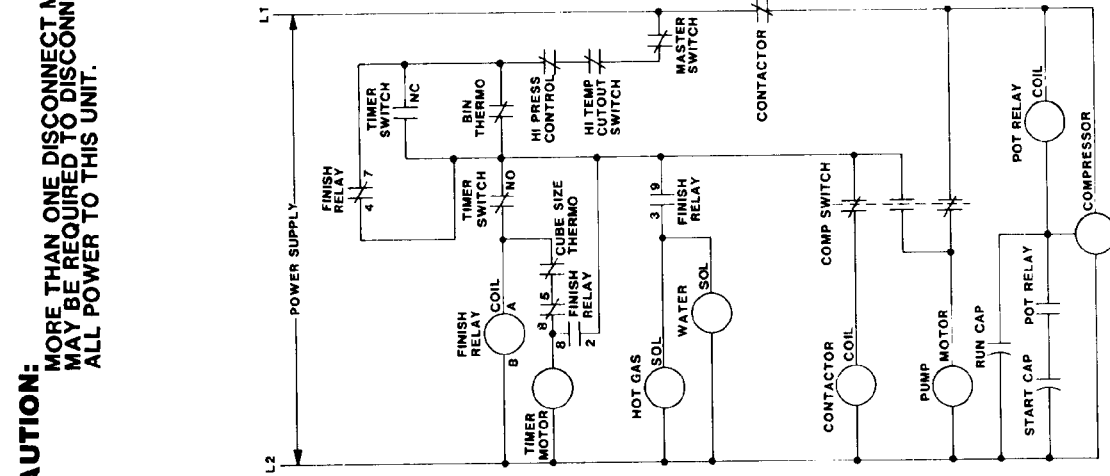
**A32105-032**

**THIS UNIT MUST BE GROUNDED**

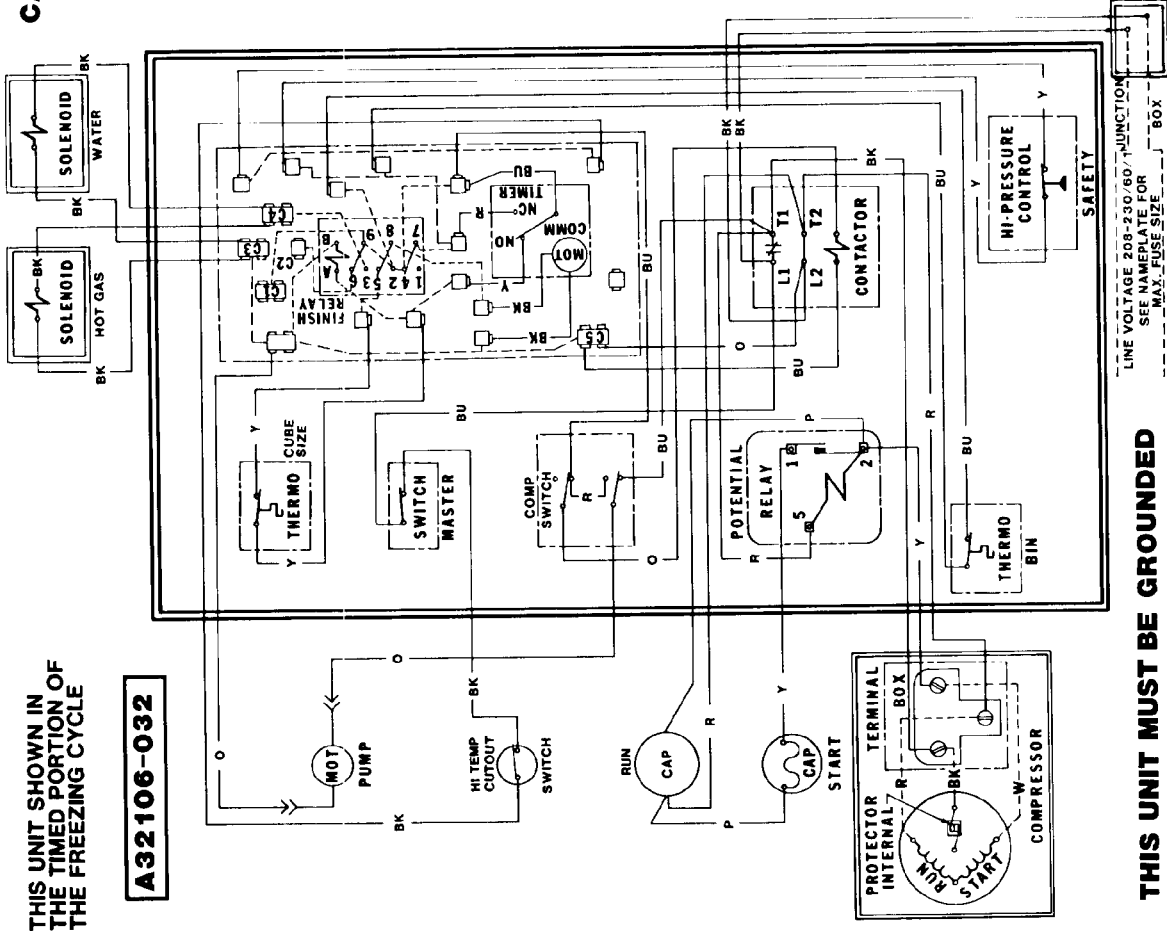
Wiring Diagram — CM1400AE-32A 208-230/60/1 Air-Cooled

# CM1400 PARTS ILLUSTRATIONS AND PARTS LISTS

**CAUTION:** MORE THAN ONE DISCONNECT MEANS MAY BE REQUIRED TO DISCONNECT ALL POWER TO THIS UNIT.



**USE COPPER CONDUCTORS ONLY**



THIS UNIT SHOWN IN THE TIMED PORTION OF THE FREEZING CYCLE

**A32106-032**

**THIS UNIT MUST BE GROUNDED**

Wiring Diagram — CM1400WE-32A 208-230/60/1 Water-Cooled