

CM855R Parts List

Table of Contents

Cabinet

Control Box

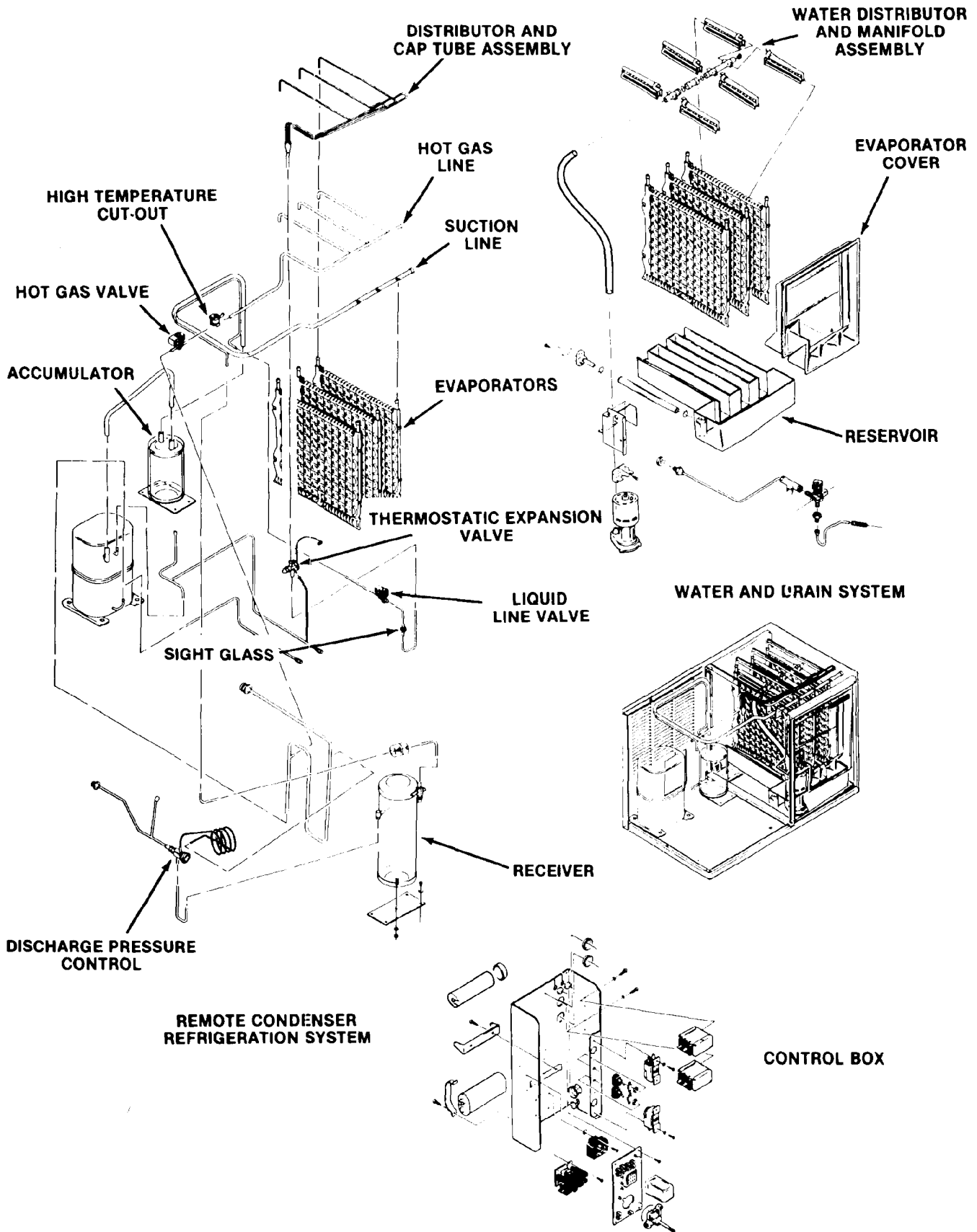
Water System

Refrigeration

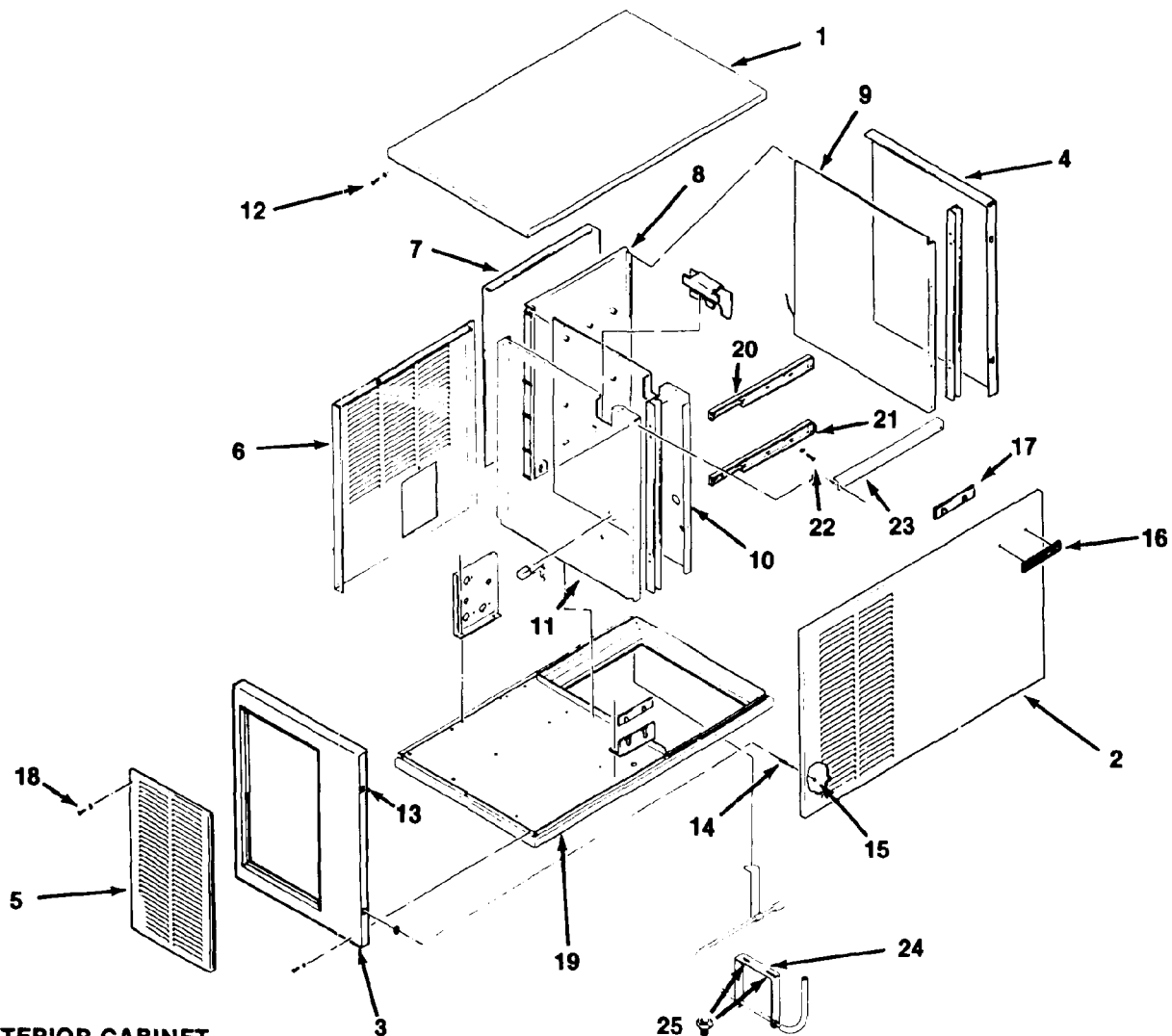
Remote Condenser

Wiring Diagrams

CM855R THE PARTS ILLUSTRATIONS AND PARTS LISTS



CM855R THE PARTS ILLUSTRATIONS AND PARTS LISTS



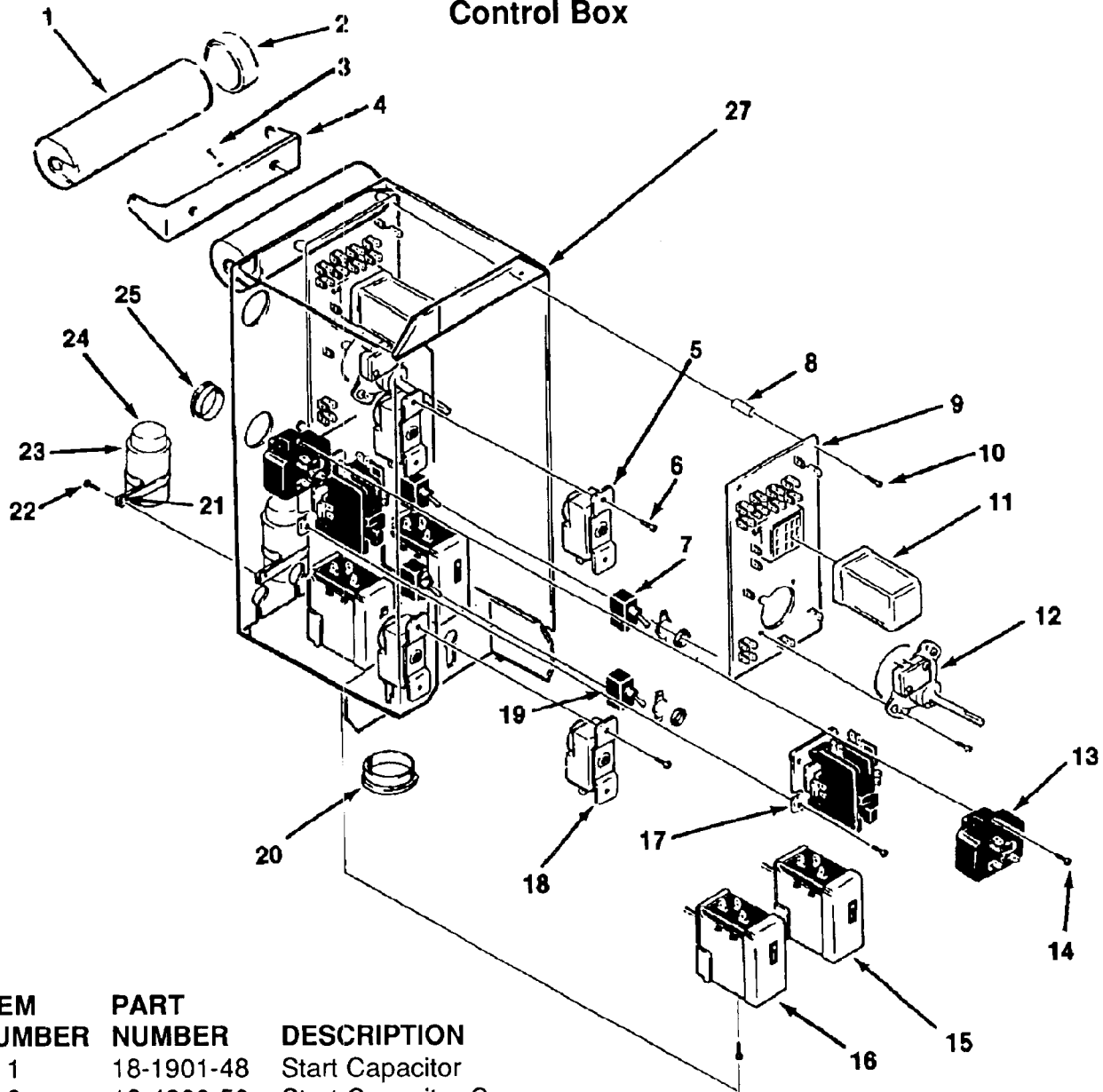
EXTERIOR CABINET

INTERIOR PANELS

ITEM NUMBER	PART NUMBER	DESCRIPTION	ITEM NUMBER	PART NUMBER	DESCRIPTION
1	A32461-001	Top Panel Enamel	13	02-0836-00	Cabinet Catch
	A32461-002	Top Panel S.S.	14	15-0411-00	Strike - Ft. Panel
2	A32457-001	Front Panel Enamel	15	03-1406-04	Nut - Strike
	A32457-002	Front Panel S.S.	16	15-0711-01	Emblem
3	A32435-001	End Panel L. Enamel	17	03-0721-00	Speed Clip
	A32435-002	End Panel L. S.S.	18	03-1404-12	Screw
4	A32456-001	End Panel R. Enamel	19	A32434-001	Base
	A32456-002	End Panel R. S.S.	20	A32587-001	Upper Brace - Evaporator
5	A32161-001	Service Panel Enamel	21	A32467-001	Lower Brace - Evaporator
	A32161-002	Service Panel S.S.	22	A32464-001	Screw - Lower Brace
6	A32450-001	Back Panel L.	23	A32469-001	Upper Brace - Cabinet
7	A32452-001	Back Panel R.	24	A32511-001	Bin Thermostat Bracket
8	02-2888-01	Back Liner	25	03-0727-05	Bin Thermostat Thumb Nut
9	02-2887-01	Right Liner			
10	02-2885-01	Left Liner			
11	A32454-001	Retainer			
12	03-1531-01	Screw - Top Panel			

CM855R SERVICE PARTS

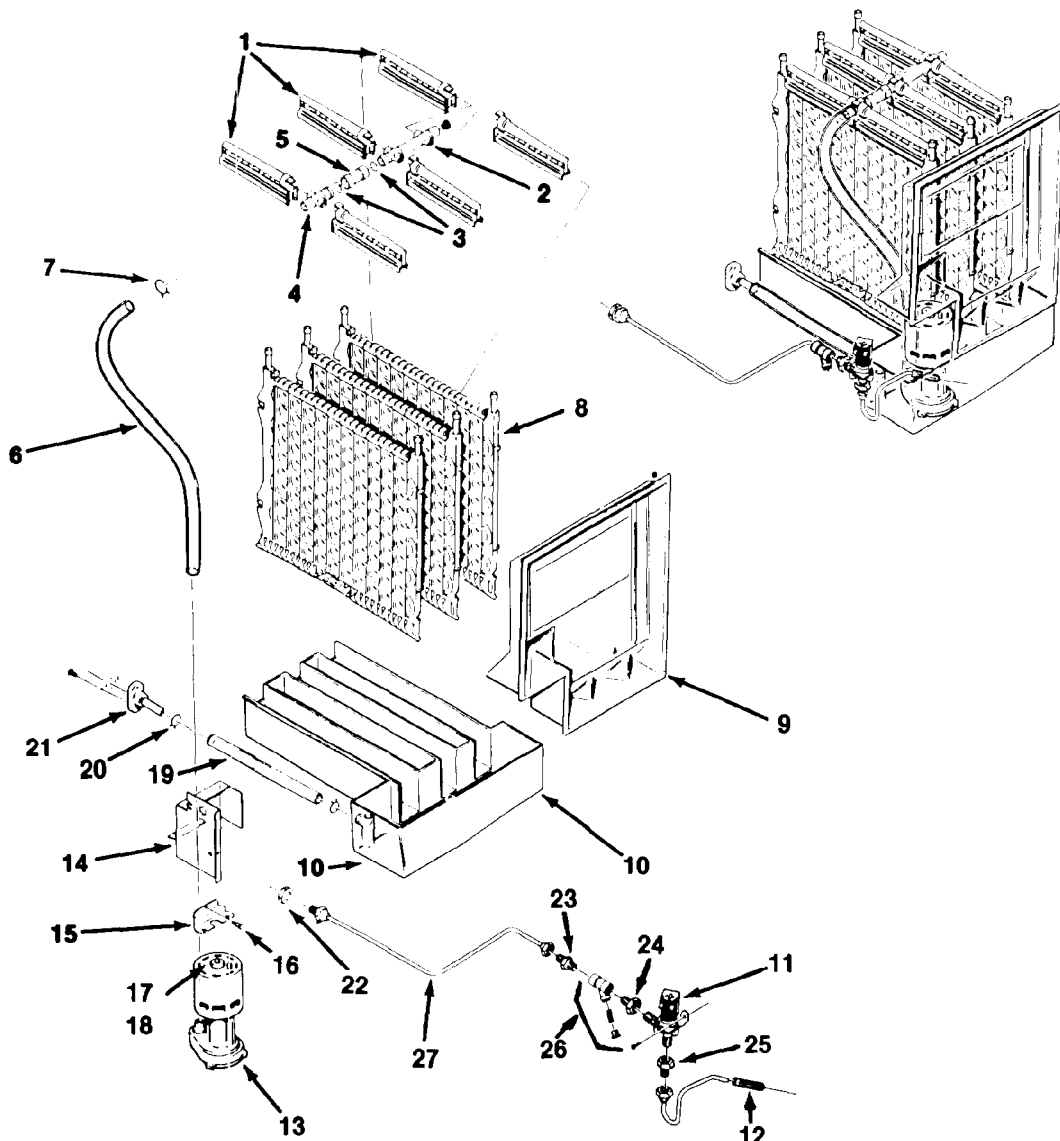
Control Box



ITEM NUMBER	PART NUMBER	DESCRIPTION
1	18-1901-48	Start Capacitor
2	18-4300-50	Start Capacitor Cap
3	03-1419-15	Screw
4	no number	Bracket
5	11-0444-01	Cube Size Control
6	03-1403-17	Screw
7	12-2255-01	Switch
8	no number	Stand off
9	12-1912-01	Circuit Board
10	03-1403-04	Screw
11	12-1979-03	Relay
12	12-1980-02	Timer
13	18-1903-26	Potential relay
14	03-1531-01	Screw
15	11-0429-01	Hi pressure control
16	11-0443-01	Lo pressure control

ITEM NUMBER	PART NUMBER	DESCRIPTION
17	12-2048-02	Contacteur single phase
	12-0739-02	Contacteur, three phase
18	11-0427-22	Bin Thermostat
19	12-0426-01	Switch
20	12-2311-01	Snap bushing
21	A09388-000	Capacitor Strap
22	03-1638-03	Screw
23	18-1902-53	Run Capacitor
24	no number	Cover
25	12-1213-17	Snap Bushing
26	A31799-001	Control Box Cover
27	no number	Control Box

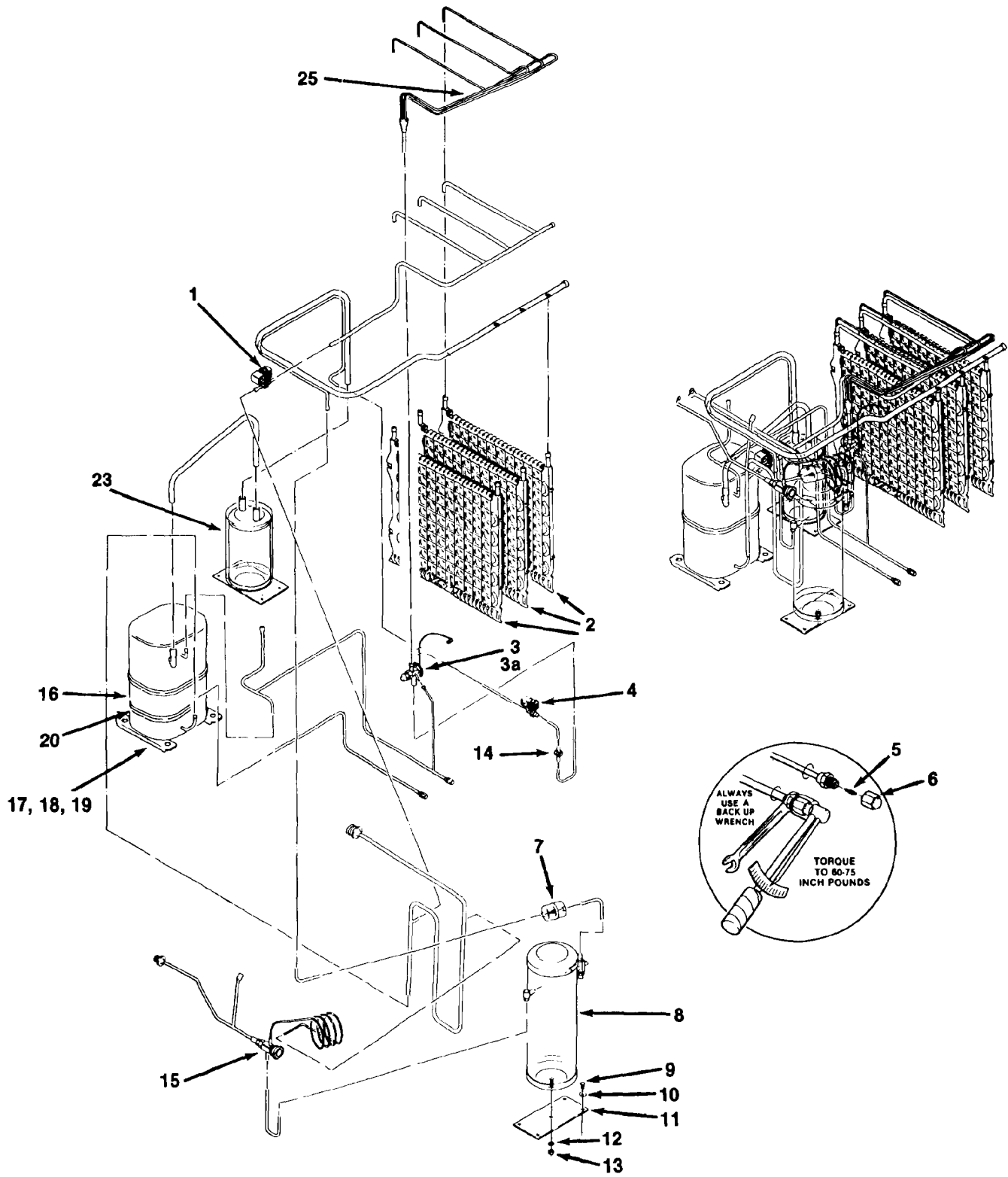
CM855R THE PARTS ILLUSTRATIONS AND PARTS LISTS



WATER SYSTEM

ITEM NUMBER	PART NUMBER	DESCRIPTION	ITEM NUMBER	PART NUMBER	DESCRIPTION
1	02-2527-01	Water Distributor Tube	14	A32462-001	Housing - Pump
2	02-2521-01	Manifold - Water	15	A32551-001	Bracket - Pump
3	13-0617-48	Manifold - Water - O-ring	16	03-0727-00	Screw - Thumb
4	A29703-001	Maifold - Water	17	03-1406-05	Nut - Top Pump
5	02-2895-01	Water Restrictor	18	03-1407-03	Washer - Top Pump
6	13-0674-07	Hose 30"	19	13-0674-07	Drain Hose 16.5"
7	02-2814-11	Hose Clamp	20	02-2814-11	Hose Clamp
8	A30296-020	Evaporator Plate	21	A31757-002	Drain
9	02-2890-01	Evaporator Cover	22	03-1394-01	Pal Nut
10	02-2889-01	Sump	23	16-0791-01	Coupling - Half Union
11	12-1646-04	Water Solenoid	24	16-0794-01	Adaptor
12	15-0674-01	Hose 3"	25	16-0631-02	Connector - Female
13	12-2319-22	Pump - Water	26	16-0162-00	Strainer
			27	No Number	Water Line

CM855R THE PARTS ILLUSTRATIONS AND PARTS LISTS

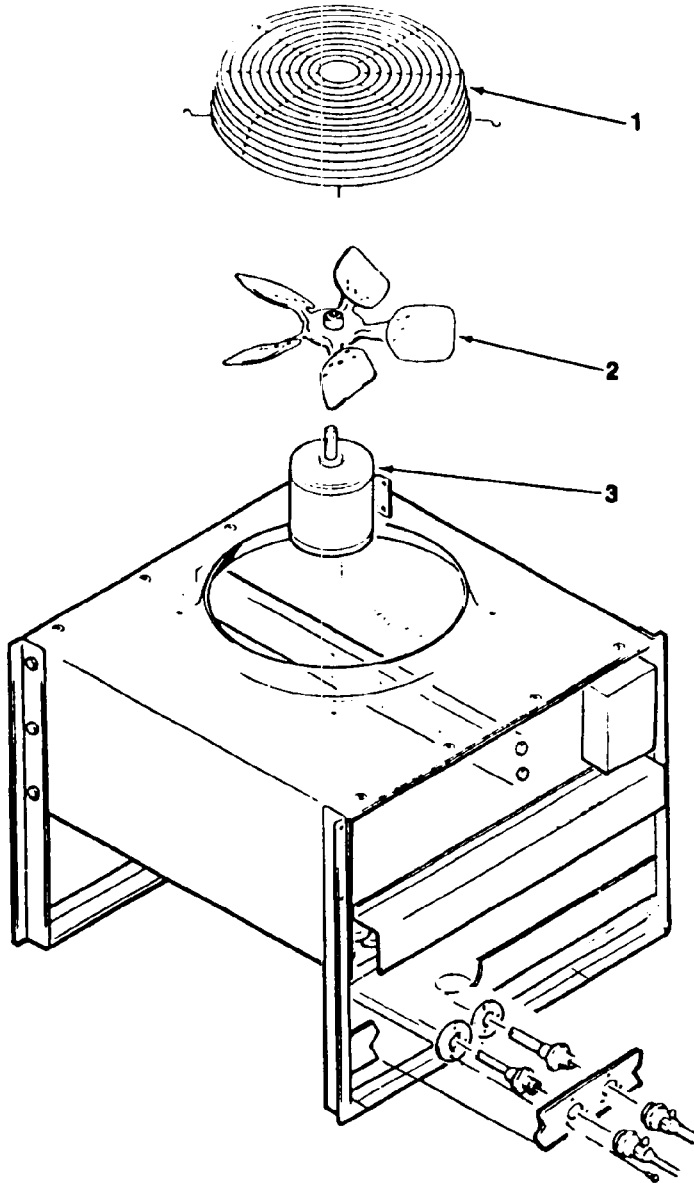


CM855R SERVICE PARTS

Refrigeration

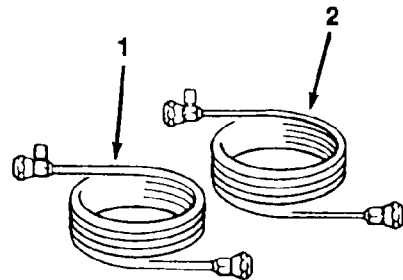
ITEM NUMBER	PART NUMBER	DESCRIPTION
1	12-2320-02	Hot Gas Solenoid
2	A30296-020	Evaporator Plate
3	16-0758-04	Thermo Expansion Valve
3a	02-2920-01	Expansion valve insulation (not illustrated)
4	12-2274-01	Liquid line valve
5	16-0560-00	Valve core
6	16-0563-00	Cap
7	02-2426-02	Dryer
8	16-0761-01	Receiver
9	03-0571-01	Screw
10	03-1407-05	Washer
11	no number	Bracket
12	03-1410-06	Lockwasher
13	03-1406-13	Nut
14	16-0762-01	Sight Glass
15	11-0422-02	Head pressure control valve
16	18-6700-01	"A" model -32 Compressor (208-230/60/1)
	18-5900-02	"B" model -32 Compressor (208-230/60/1)
	18-5900-03	"B" model -3 Compressor (208-230/60/3))
17	18-2300-26	Sleeve
18	18-6800-01	Grommet
19	03-1405-20	Screw
20	12-1868-03	Crankcase heater
23	16-0793-01	Accumulator
24	02-2893-01	Insulation half for accumulator
25	A32472-001	Evaporator inlet assy
26	12-2300-07	Hi temp cut out, (not illustrated, installed at the outlet of the hot gas valve)

CM855R THE PARTS ILLUSTRATIONS AND PARTS LISTS



KCMR230

PART NUMBER	DESCRIPTION
12-2070-04	Relay



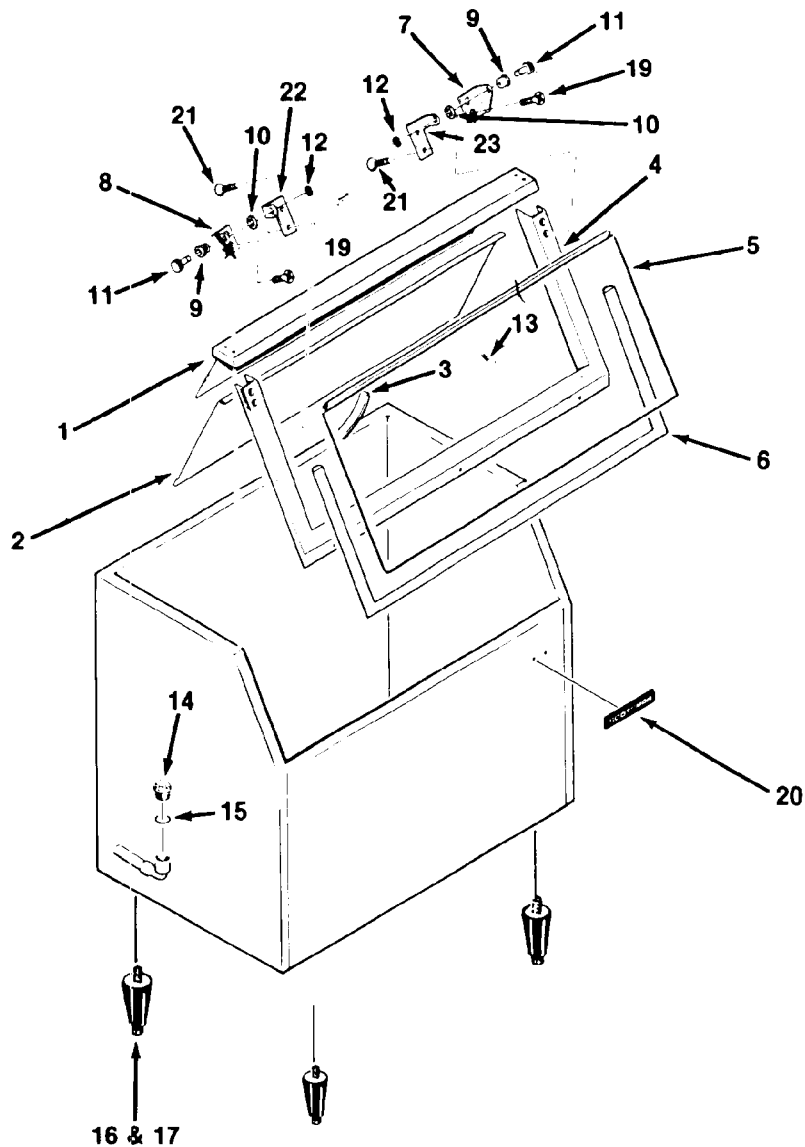
REMOTE CONDENSER RC651-32B RC652-32B

ITEM NUMBER	PART NUMBER	DESCRIPTION
1	02-2618-01	Guard, Fan
2	18-3733-01	Blade, Fan
3	18-5301-01	Motor, Fan

PRE-CHARGED TUBING KIT

ITEM NUMBER	PART NUMBER	DESCRIPTION
1	RT625	25" Long
2	RT640	40" Long

BH800 THE PARTS ILLUSTRATIONS AND PARTS LISTS

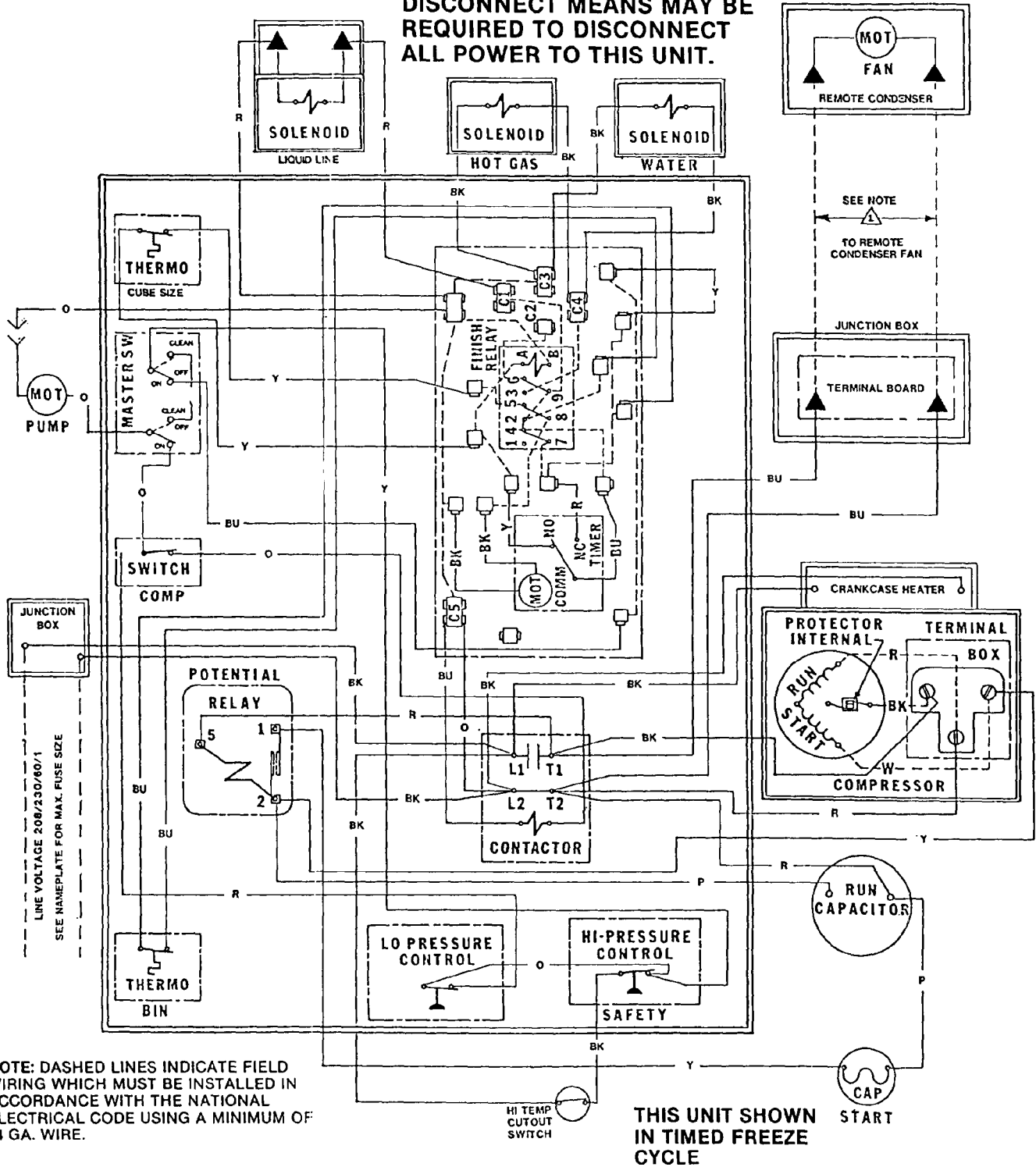


BH800

ITEM NUMBER	PART NUMBER	DESCRIPTION	ITEM NUMBER	PART NUMBER	DESCRIPTION
1	A32408-001	Canopy	12	03-1539-09	E-Clip
2	A32410-001	Baffle	13	03-0727-06	Thumb Screw Baffle
3	19-0503-04	Gasket - order per ft.	14	02-2809-01	Drain Top
4	A32418-020	Door Frame	15	13-0617-11	O-Ring
5	A32419-020	Door	16	KLP2E	Legs - Enamel
6	13-0595-00	Door Gasket - order per ft. (10)	17	KLP2S	Legs - S.S.
7	A32396-002	Hinge Rt.	18	03-1404-06	Screw (Not Shown)
8	A32396-001	Hinge Lt.	19	03-1360-02	Screw
9	02-2380-01	Hinge Bushing	20	15-0711-01	Emblem
10	02-2380-02	Hinge Spacer	21	03-1418-41	Screw
11	02-2806-01	Shoulder Screw	22	A32456-001	Door Hinge Lt.
			23	A32456-002	Door Hinge Rt.

CM855R COMPONENT LAY-OUT WIRING DIAGRAM

CAUTION:
 MORE THAN ONE
 DISCONNECT MEANS MAY BE
 REQUIRED TO DISCONNECT
 ALL POWER TO THIS UNIT.



NOTE: DASHED LINES INDICATE FIELD WIRING WHICH MUST BE INSTALLED IN ACCORDANCE WITH THE NATIONAL ELECTRICAL CODE USING A MINIMUM OF 14 GA. WIRE.

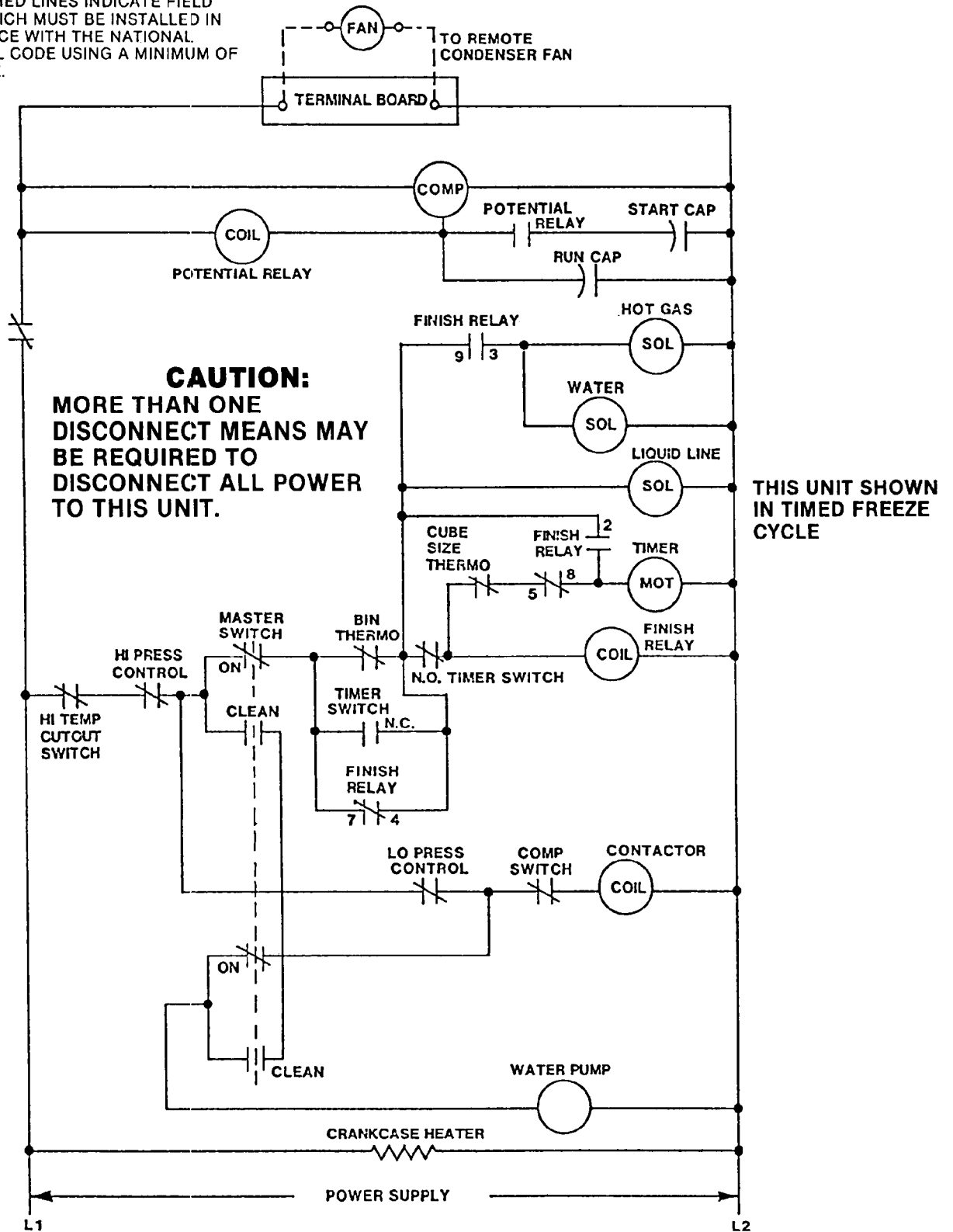
THIS UNIT SHOWN IN TIMED FREEZE CYCLE

USE COPPER CONDUCTORS ONLY THIS UNIT MUST BE GROUNDED

CM855RE-32 Remote Air-Cooled (208-230/60/1)

CM855R SCHEMATIC WIRING DIAGRAM

NOTE: DASHED LINES INDICATE FIELD WIRING WHICH MUST BE INSTALLED IN ACCORDANCE WITH THE NATIONAL ELECTRICAL CODE USING A MINIMUM OF 14 GA. WIRE.

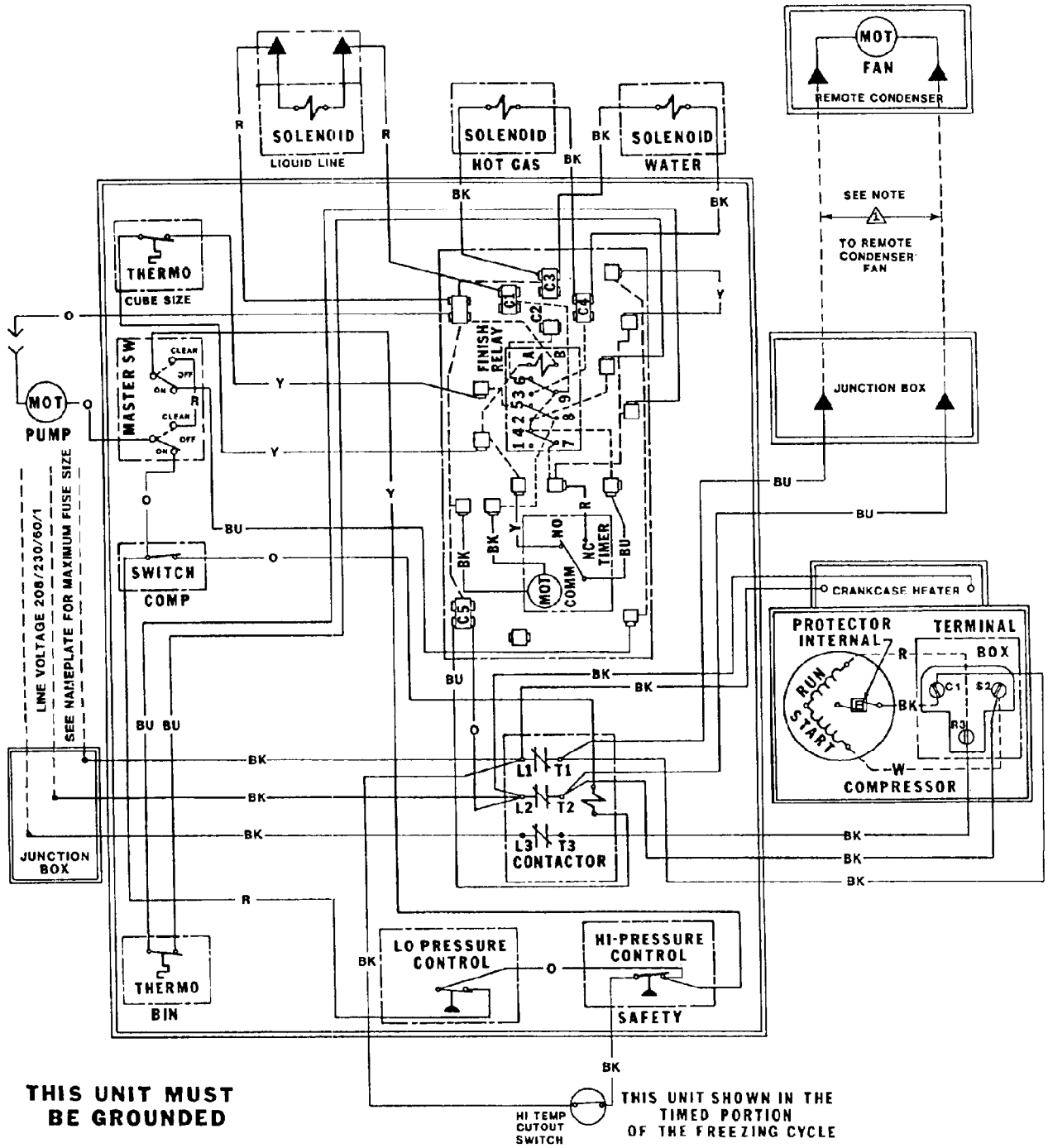


USE COPPER CONDUCTORS ONLY THIS UNIT MUST BE GROUNDED

CM855RE-32 Remote Air-Cooled (208-230/60/1)

CM855R WIRING DIAGRAMS

CM855RE-3B (208-230/60/3)



CM855R WIRING DIAGRAMS

CM855RE-3B (208-230/60/3)

CAUTION: More than one disconnect means may be required to disconnect all power to this unit.

Dashed lines indicate field wiring which must be installed in accordance with the National Electric Code using a minimum of 14 GA. AWG wire. USE COPPER CONDUCTORS ONLY.

