

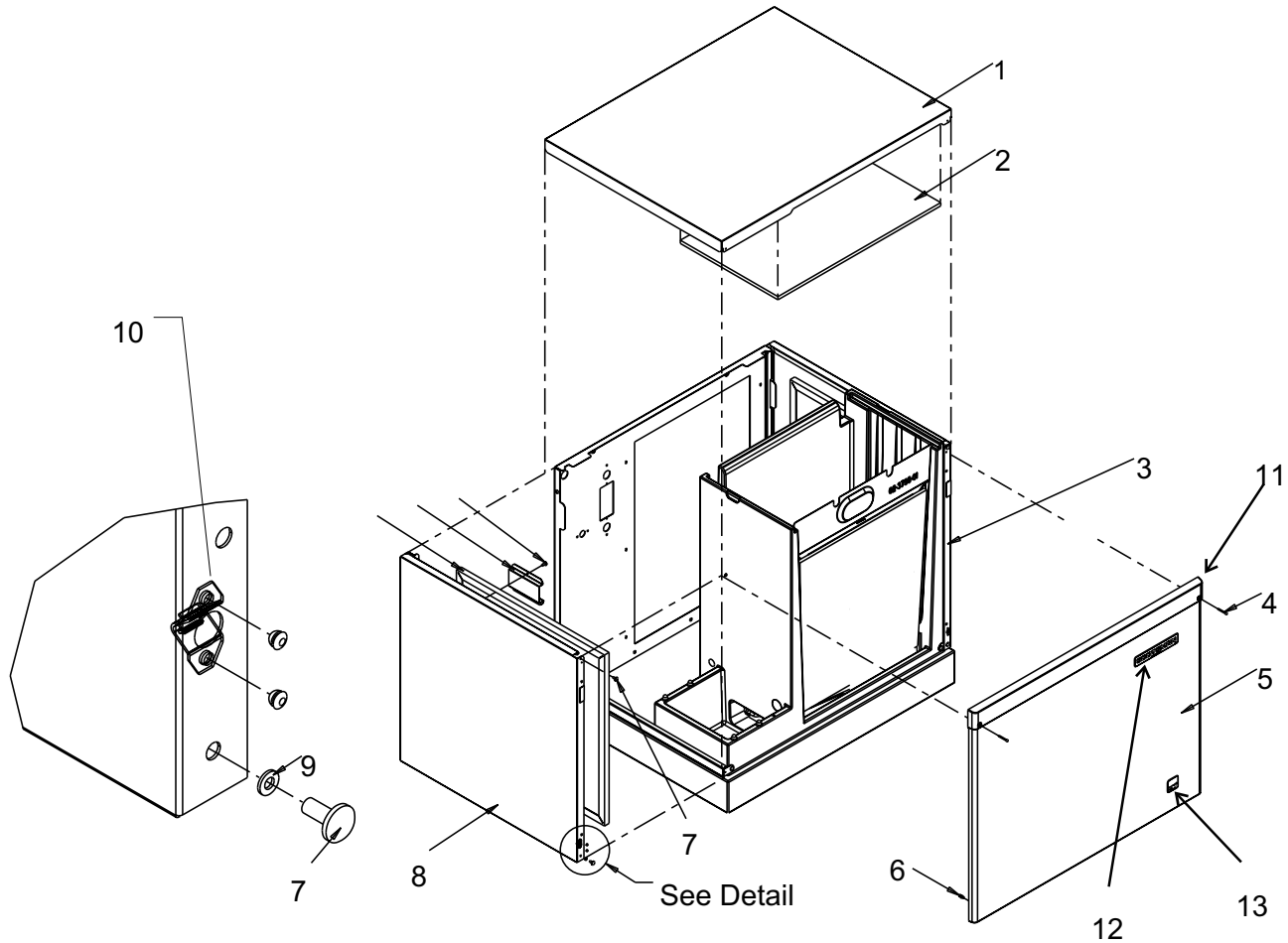
CME1056R Service Parts

This is the parts list for the CME1056R ice machine and ERC311 condenser. In order to obtain the correct part, always confirm the model number and voltage of the machine the part is being ordered for and compare that information to the description of the part.

Table of Contents

Cabinet	2
Freezing Chamber Components	3
Interior Components	4
Refrigeration	5
Water Pump and Valves	6
Water System	7
Electrical	8
Remote Condenser, ERC311	9
Ice Storage Bin, HTB555	10
Ice Storage Bin, BH800, BH550	11
Single Phase Wiring Diagram, D Series	12
Single Phase Schematic Diagram, D Series	13
Three Phase Wiring Diagram, D Series	14
Single Phase Wiring Diagram, A Series	15
Single Phase Schematic Diagram, A Series	16
Three Phase Wiring Diagram, A Series	17
Three Phase Schematic Diagram	18

CME1056R Service Parts Cabinet

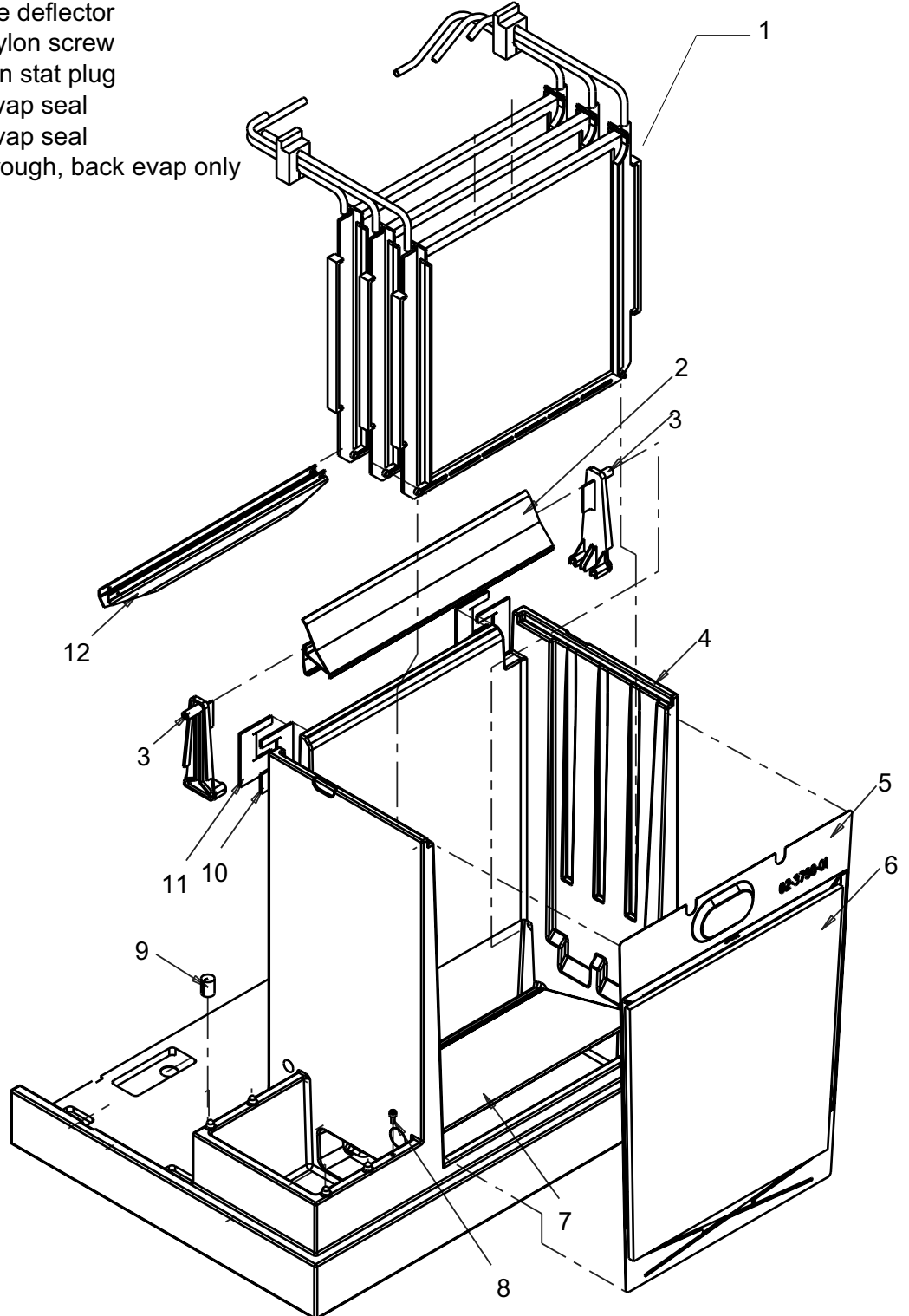


Item Number	Page Number	Description
1	A35965-001	Top panel, painted
	A35965-002	Top panel, stainless steel
	02-3822-22	Top panel, plastic
	03-1423-06	Speed nut for plastic top panel
2	02-3783-01	Insulation
3	A37071-021	Right side panel, painted
	A37071-022	Right side panel, stainless steel, up to E series
	A38126-021	Right side panel, stainless steel, E series and higher
4	03-1735-01	Front panel screw
5	02-3797-21	Plastic front panel, includes 11, 12 and 13
	A37488-021	Stainless steel front panel, includes 11, 12 and 13
6	03-1733-01	Ball stud (strike)
7	03-1531-01	Screw
8	A37070-021	Left side panel, painted
	A37070-022	Left side panel, stainless steel, up to E series
	A38127-021	Left side panel, stainless steel, E series and higher
9	03-1417-27	Lockwasher
10	03-1733-02	Catch
11	02-3794-31	Trim strip
	03-1731-02	Retainer for trim strip
12	15-0808-01	Scotsman emblem
13	15-0792-03	CM ³ emblem

CME1056R Service Parts

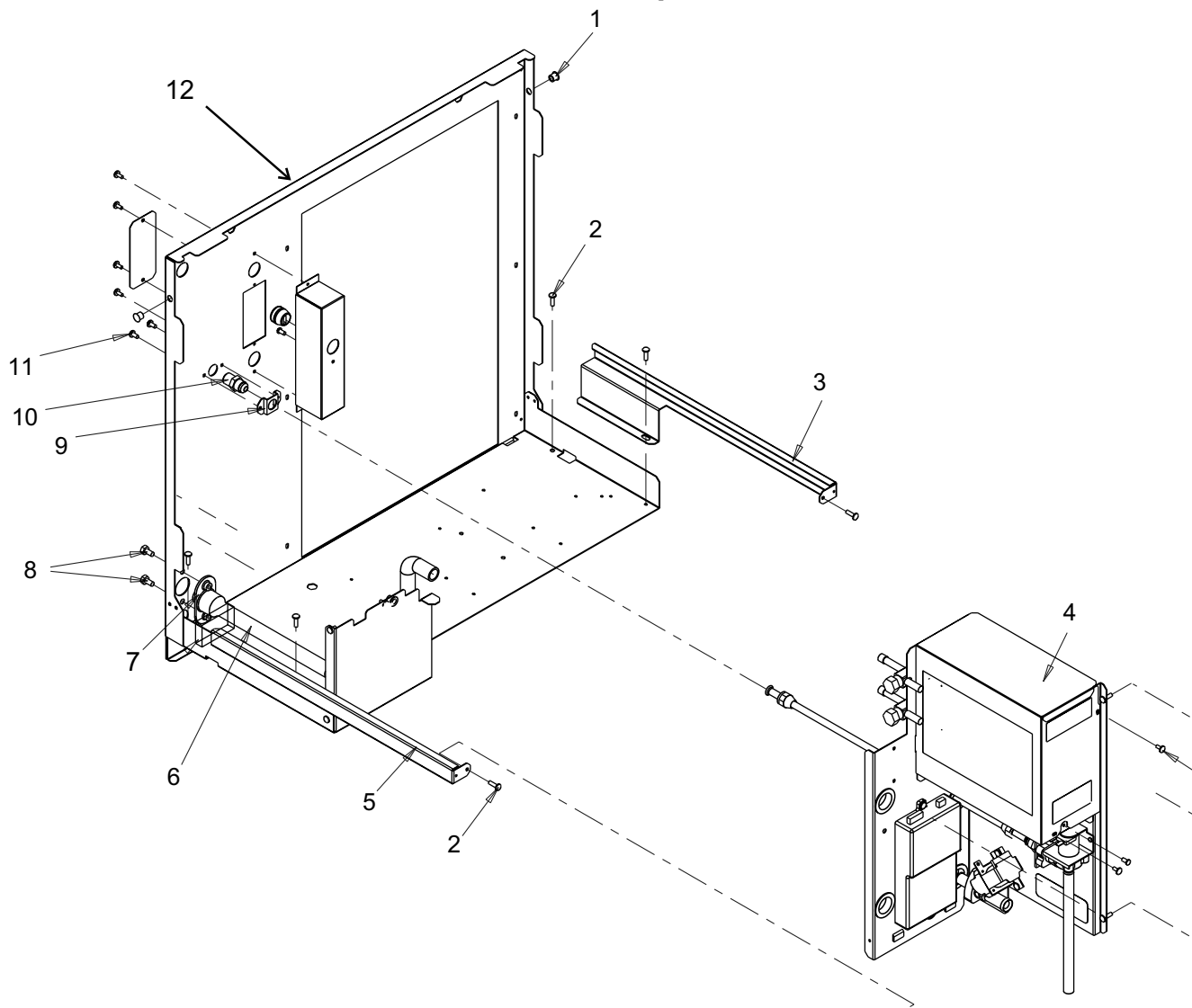
Freezing Chamber Components

Item Number	Part Number	Description
1	A37370-021	Evaporator set (3)
2	02-3765-01	Cascading shield
3	11-0540-21	Ice sensor set
4	A37759-002	Water compartment
5	02-3798-01	Evaporator cover
6	02-3810-01	Insulation for evap cover
7	02-3337-02	Ice deflector
8	03-1691-01	Nylon screw
9	02-3782-01	Bin stat plug
10	02-3779-02	Evap seal
11	02-3779-03	Evap seal
12	02-3778-01	Trough, back evap only



CME1056R Service Parts

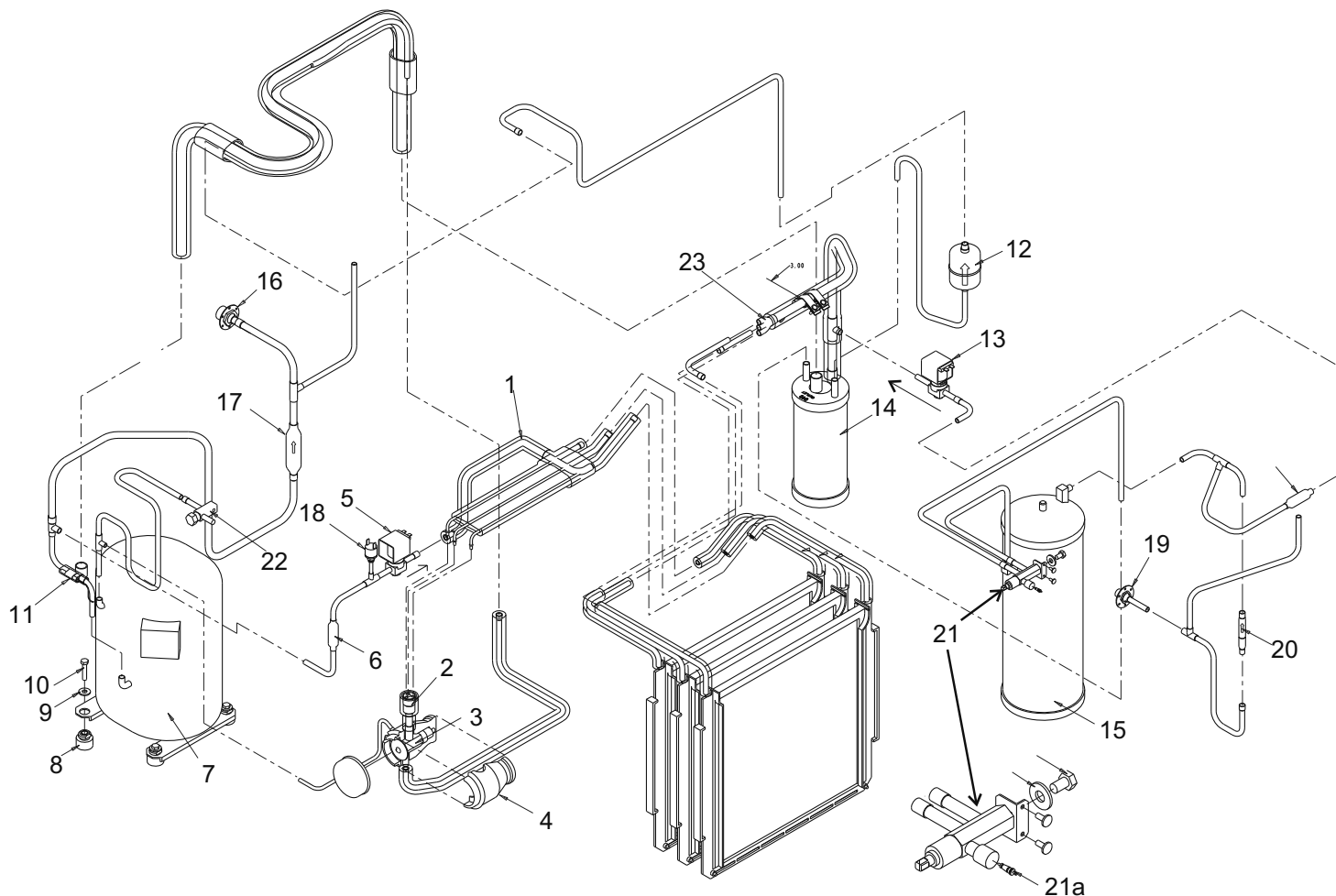
Interior Components



Item Number	Part Number	Description
1	02-1875-03	Hole plug
2	03-1404-18	Screw
3	A37400-001	Right channel
4	A37468-001	Control box cover
5	A37399-001	Left channel
6	02-3763-01	Drain hose
7	02-3692-21	Drain fitting w/screws
8	03-0571-00	Screw
9	A37232-001	Fitting bracket
10	16-1036-01	Inlet fitting
11	03-1531-01	Screw
12	A37373-001	Back panel

CME1056R Service Parts

Refrigeration

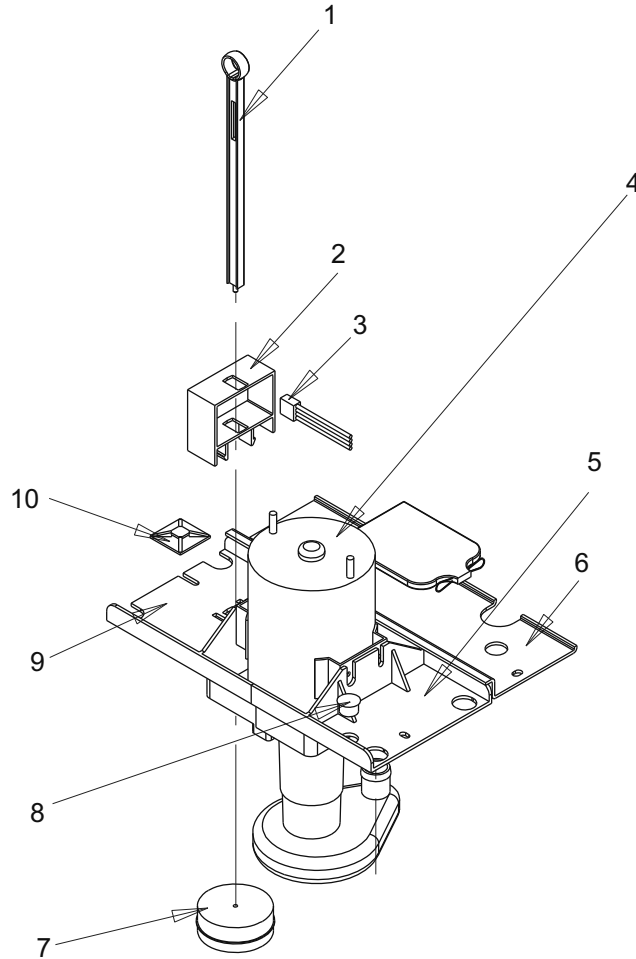


Item Number	Part Number	Description	Item Number	Part Number	Description
1	16-1051-01	Hot gas header	8	18-2300-27	Mounting grommet
2	16-1058-01	Distributor		18-2200-27	Mounting sleeve
3	16-1076-21	TXV	9	03-1407-07	Washer
4	02-3792-01	TXV insulation	10	03-1405-20	Cap screw
5	12-2471-24	Hot gas valve - 4T3	11	02-3410-21	Discharge temp sensor (with water temp sensor)
	12-2719-23	Hot gas valve coil only	12	02-3319-02	Drier
	12-2733-30	Hot gas valve repair kit, no coil, no body	13	11-0513-21	Harvest bypass valve
6	16-1063-01	Hot gas valve strainer	14	16-1059-21	Accumulator
7	18-8749-22	Compressor. 208-230/60/1 CS14K6E-PFV-276	15	16-1175-01	Receiver
	18-8749-24	Compressor. 208-230/60/3 CS14K6E-TF5-276	16	16-0850-01	Discharge quick connect
	18-8749-27	Compressor. 220-240/50/1 CS14K6E-PFJ-276	17	16-1028-01	Discharge check valve
7a	18-2308-01	Crankcase heater	18	11-0501-22	High pressure cut out
			19	16-0850-03	Liquid quick connect
			20	16-1029-01	Liquid check valve
			21	16-1030-01	Liquid access valve
			21a	16-0560-00	Core
			22	16-0832-20	Access valve
			23	16-1047-01	Suction fitting

All compressors include a drier. Single phase also include starting components. All overloads are internal

CME1056R Service Parts

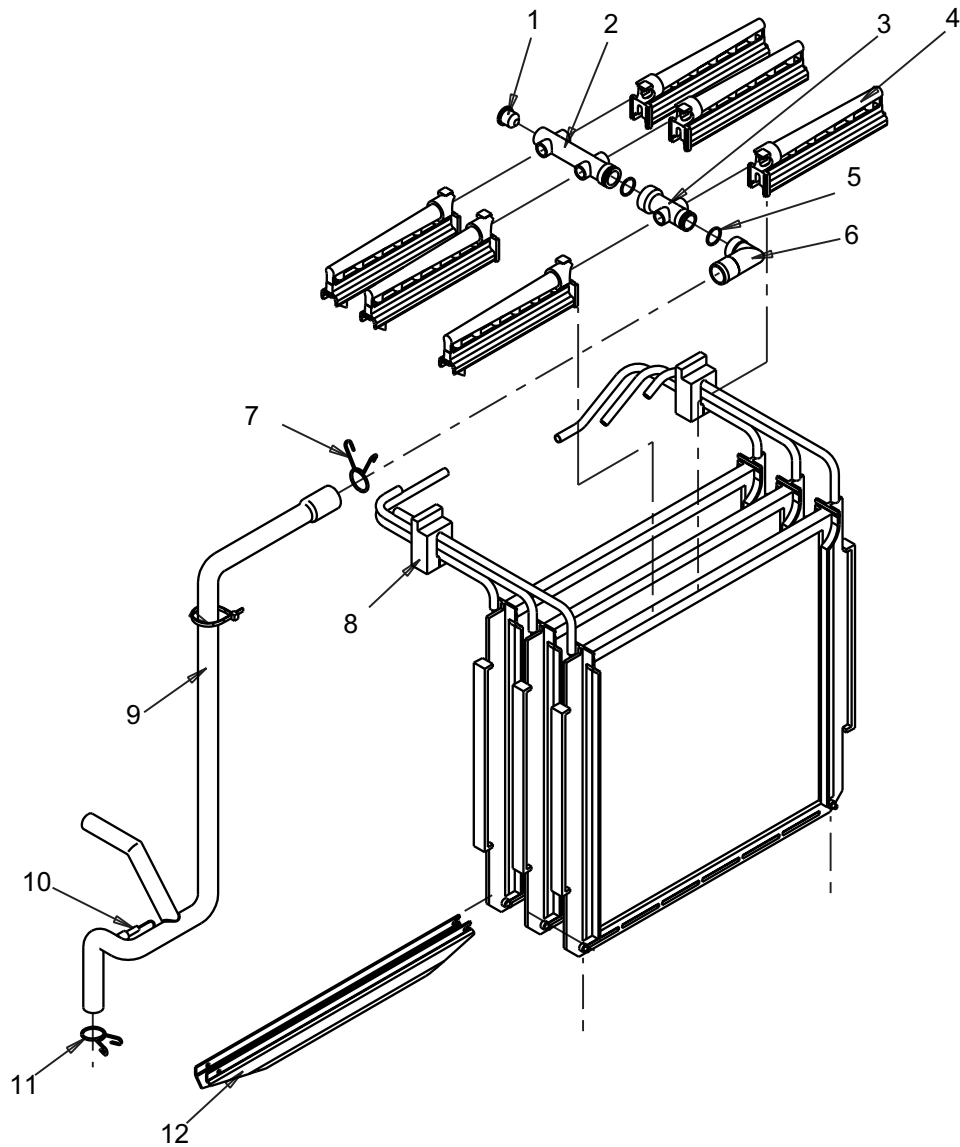
Water Pump and Valves



Item Number	Part Number	Description
1	02-3777-01	Float stick
2	11-0539-51	Water level sensor
3	12-2506-01	Harness
4	12-2714-21	Water pump - 208-230
5	02-3388-06	Pump bracket
6	02-3764-01	Sump cover
7	02-3341-01	Float
8	02-1875-05	Hole plug
9	02-3388-04	Pump bracket
10	03-1736-01	Mount for cable tie

CME1056R Service Parts

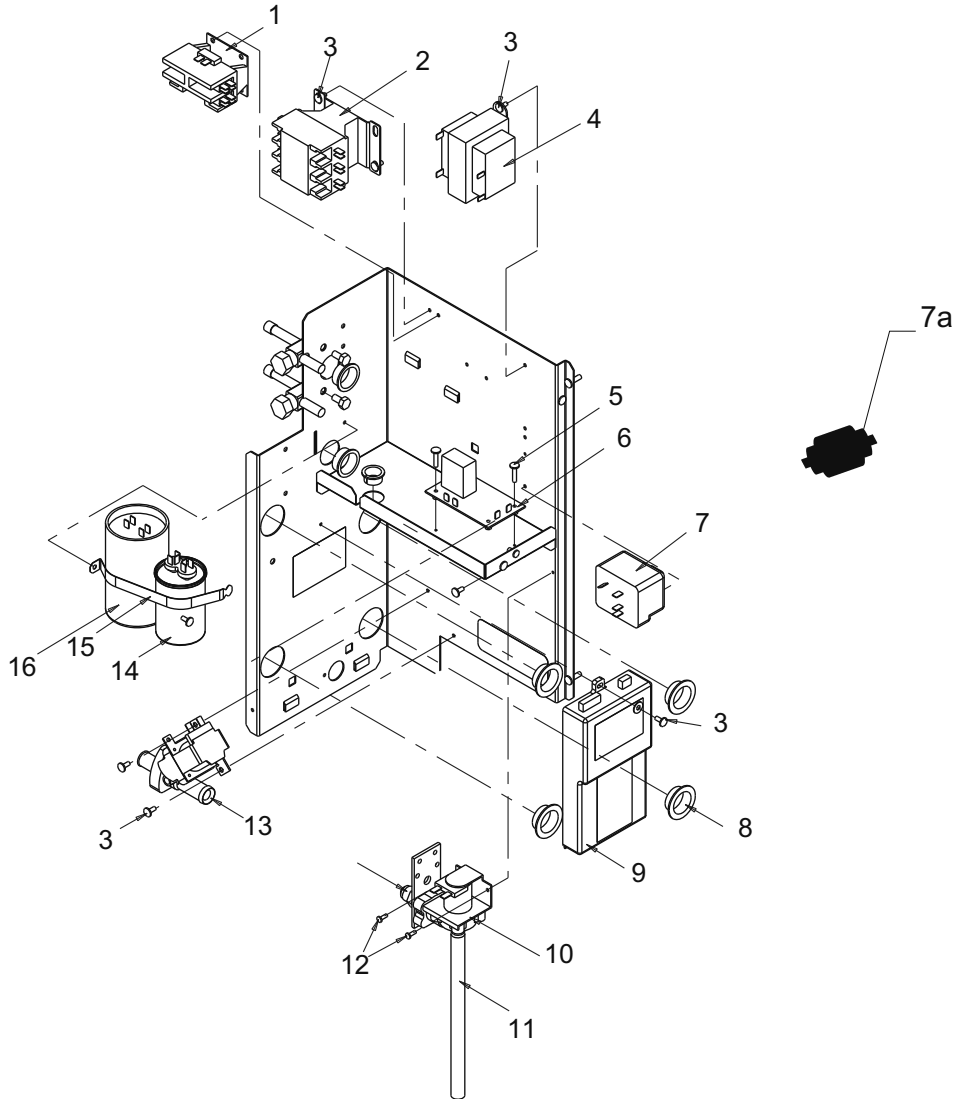
Water System



Item Number	Part Number	Description
1	13-0840-01	Plug
2	02-3518-01	Manifold
3	02-3519-01	Manifold
4	02-2527-01	Water distributor
5	13-0617-48	O ring
6	02-3613-01	Elbow
7	02-3791-01	Hose clamp
8	02-3779-01	Grommet
9	02-3762-01	Pump hose
10	02-3410-21	Water temp sensor (with discharge temp sensor)
11	02-3725-01	Hose clamp
12	02-3778-01	Trough, for back plate only

CME1056R Service Parts

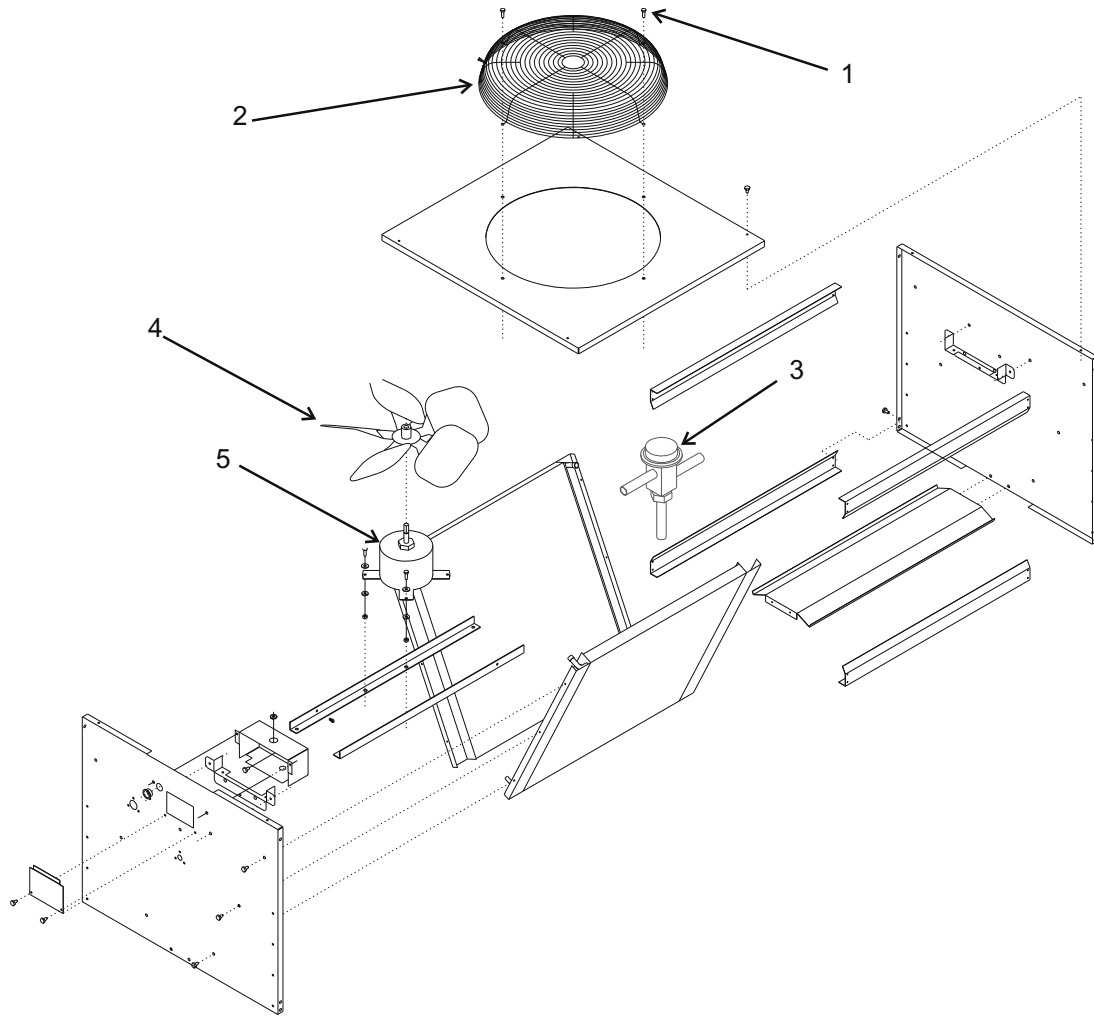
Electrical



Item Number	Part Number	Description	Item Number	Part Number	Description
1	12-2469-01	Single phase contactor	12	03-1404-05	Screw
2	12-2533-01	Three phase contactor	13	11-0514-01	Purge valve
3	03-1531-01	Screw	14	18-1902-55	Run capacitor
4	A37217-001	Transformer for 60 Hz	15	A37366-001	Strap
	12-2837-02	Transformer for 50 Hz	16	18-1901-48	Start capacitor
5	03-1638-01	Screw	Not Shown		
6	11-0531-21	Purge valve timer	17	12-2713-02	Lo volt harness - A series
7	18-1903-46	60 Hz compressor relay		12-2818-02	Lo volt harness - D+ series
	18-1903-33	50 Hz compressor relay	18	12-2817-01	Hi volt harness
7a	18-8835-01	PTCR (D series)	Bin Thermostat System Components		
8	12-1213-12	Snap bushing	19	11-0521-21	Bin thermostat
9	12-2838-24	Controller	20	02-3740-01	Bracket
10	12-2666-01	Inlet water valve	21	03-1675-03	Knob
11	13-0674-02	Tube, order 1 unit. Cut to 8 in.	22	12-2701-01	Bin thermo harness
			23	12-2699-01	Stacking kit harness

CME1056R Service Parts

Remote Condenser, ERC311



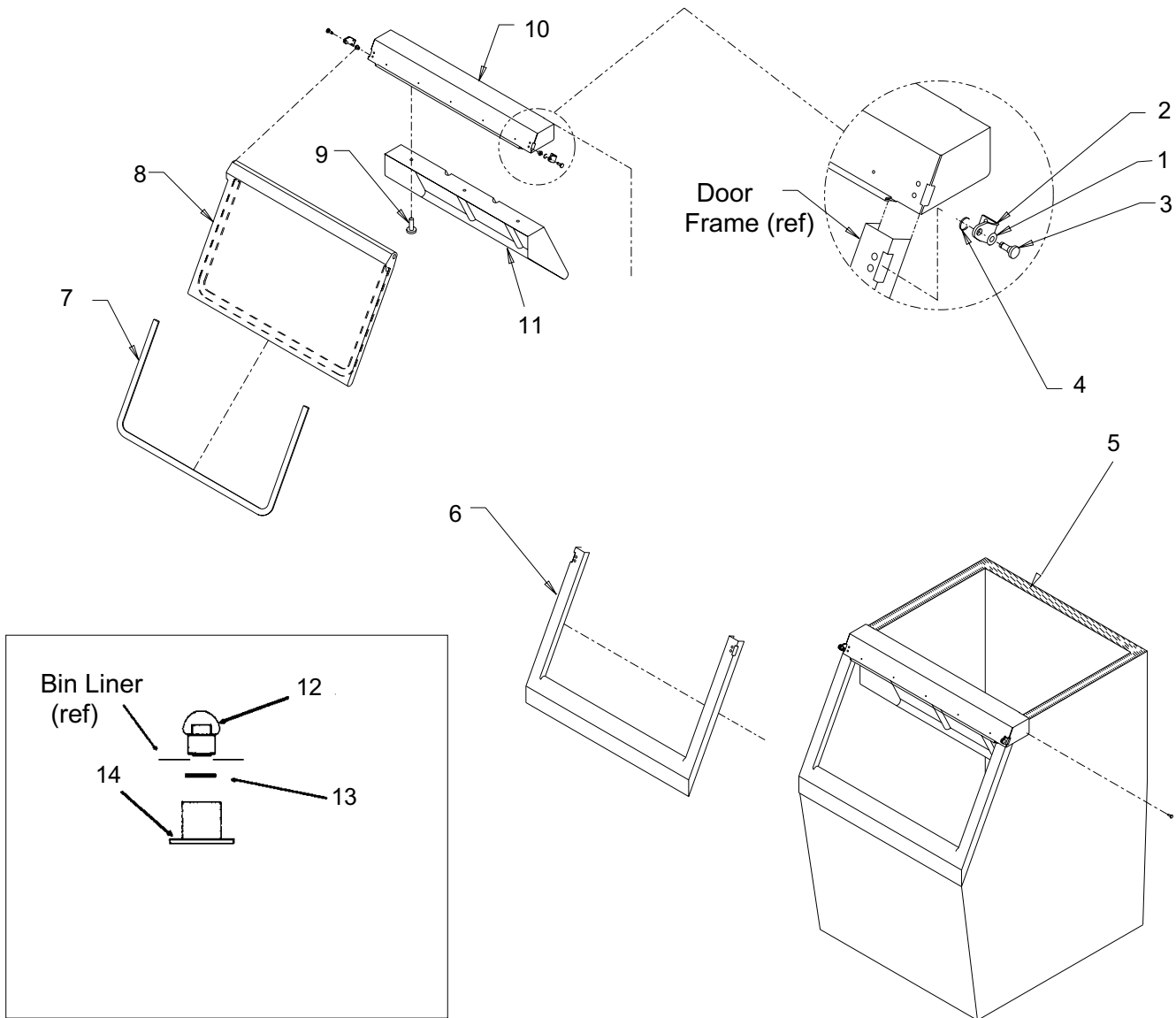
Item Number	Part Number	Description
1	03-1405-08	Screw
2	02-3575-01	Fan guard
3	11-0422-22	Headmaster
4	18-8816-01	Fan blade
5	12-2651-01	Fan motor

Not Shown:

A37169-001	Leg
A37170-001	Leg brace
03-1645-01	Screw for legs
16-0850-01	Quick connect, discharge
16-0850-03	Quick connect, liquid

CME1056R Service Parts

Ice Storage Bin, HTB555



Item Number	Part Number	Description
1	02-2380-02	Spacer
2	02-3196-01	Hinge
3	02-2806-01	Shoulder screw
4	03-1539-09	E-ring
5	19-0503-04	Gasket 9 ft. *
6	02-3274-02	Door frame (grey)
7	13-0909-01	Door gasket - 58" *
8	A36481-022	Door, grey, includes #7.
9	03-0727-11	Thumb screw
10	A35637-001	Canopy
11	A37310-001	Baffle
12	02-2809-02	Drain top
13	13-0617-09	O-ring
14	02-3108-01	Drain bottom

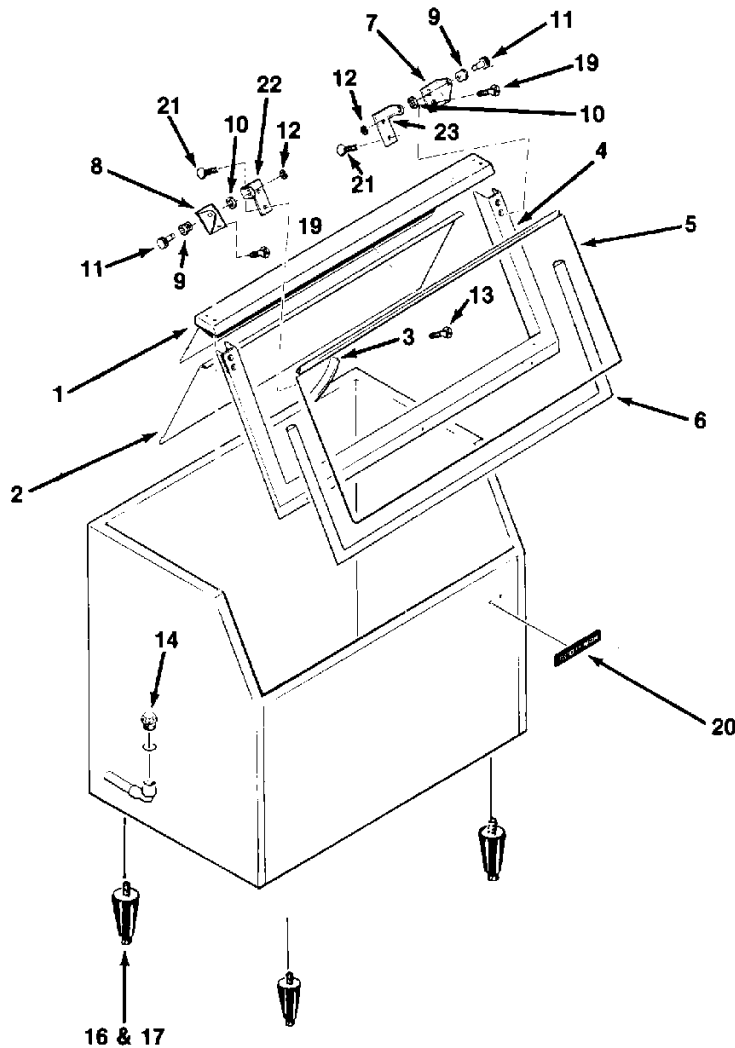
Not shown

03-1404-07	Screw for drain bottom
05-0586-01	Drain elbow
02-0540-00	Scoop
KLP2E	Enamel leg kit

* Order gasket by the foot.

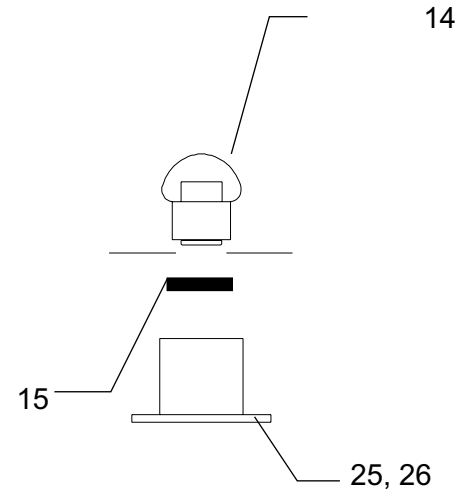
CME1056R Service Parts

Ice Storage Bin, BH800, BH550



Note: C series has rounded corners

Left Bin Channel: A35506-001
 Right Bin Channel: A35507-001
 Rear Bin Channel: A35508-001



Item Number	BH800 Part Number	BH550 Part Number	Description	Item Number	BH800 Part Number	BH550 Part Number	Description
1	A32408-001	A33921-001	Canopy	14	02-2809-01	same	Drain Top
2	A32410-001	A32580-001	Baffle	15	13-0617-09	same	O-Ring
3	19-0503-04	same	Gasket	16	KLPE	same	Legs, painted
			order per foot	17	KLPS	same	Legs, S.S.
4	A32418-020	A33922-020	Door Frame	18	03-1404-06	same	Screw
	A37640-021	A37639-021	Door frame, C series	19	03-1360-02	same	Screw
5	A32419-020	A33938-020	Door, incl #5a, 6, 22, 23	20	15-0711-01	same	Emblem
	02-2881-02	02-2881-03	Drip molding	21	03-1418-41	same	Screw
6	13-0595-00	same	Door Gasket	22	A32546-001	same	Door Hinge Left
	(10')	(6')	order per foot	23	A32546-002	same	Door Hinge Rt.
7	A32396-002	same	Hinge Rt.	24	03-1423-07	same	Speed Nut for Baffle
8	A32396-001	same	Hinge Left				
9	02-2380-01	same	Hinge Bushing	25	02-3201-01	same	Drain bottom
10	02-2380-02	same	Hinge Spacer	26	03-1404-07	same	Screw
11	02-2806-01	same	Shoulder Screw				
12	03-1539-09	same	E-Clip				
13	03-0727-06	same	Thumb Screw				

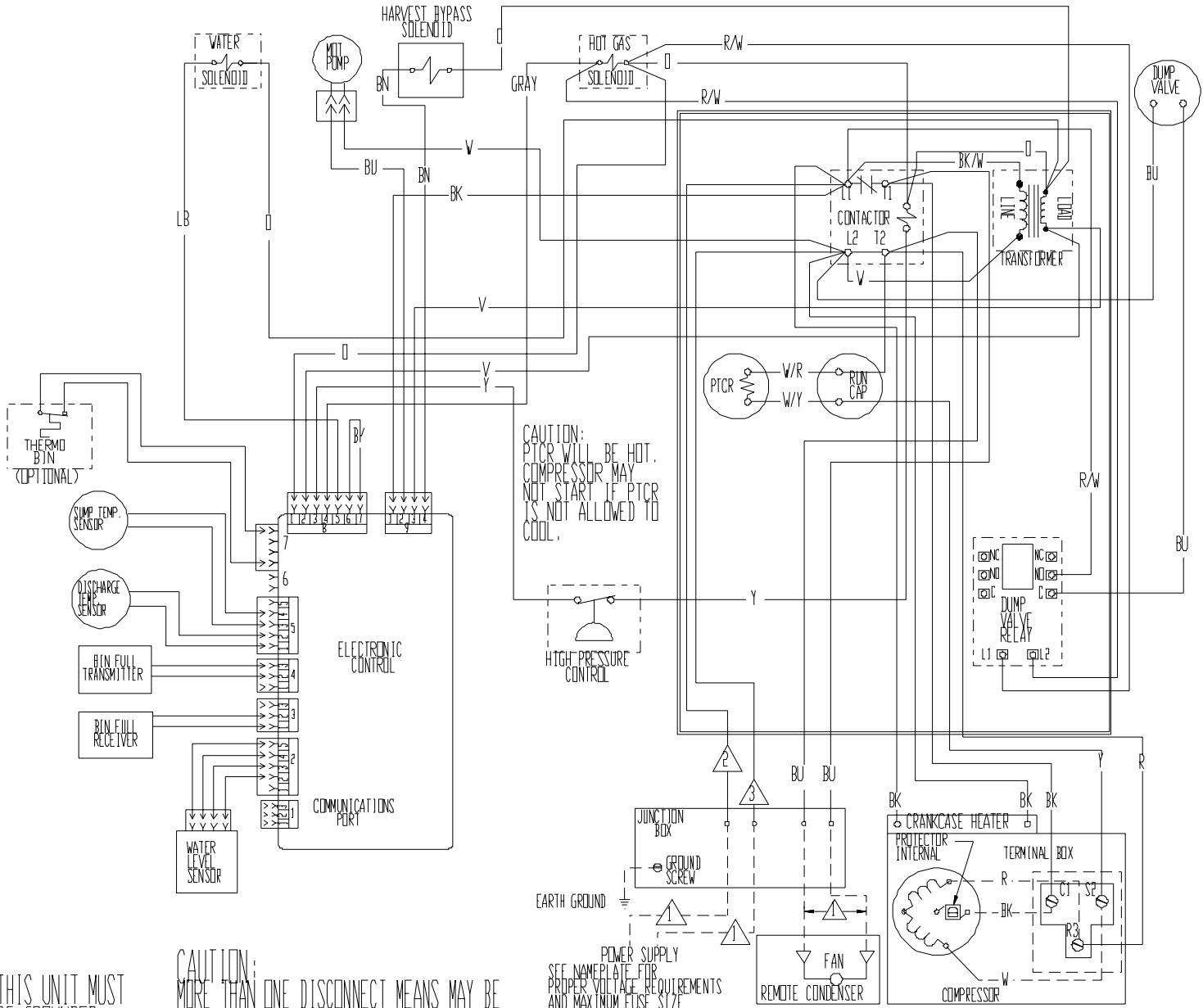
CME1056R Service Parts

Single Phase Wiring Diagram, D Series

17-2853-01

USE COPPER CONDUCTORS ONLY

- ⚠ DASHED LINES INDICATE FIELD WIRING WHICH MUST BE INSTALLED IN ACCORDANCE WITH THE NATIONAL ELECTRICAL CODE AND ALL STATE AND LOCAL CODES.
- ⚠ WIRE COLOR FOR 208-230/60/1 UNITS: BLACK
- ⚠ WIRE COLOR FOR 230/50/1 UNITS: BLUE
- ⚠ WIRE COLOR FOR 208-230/60/1 UNITS: BLACK W/ WHITE STRIPE
- ⚠ WIRE COLOR FOR 230/50/1 UNITS: BROWN



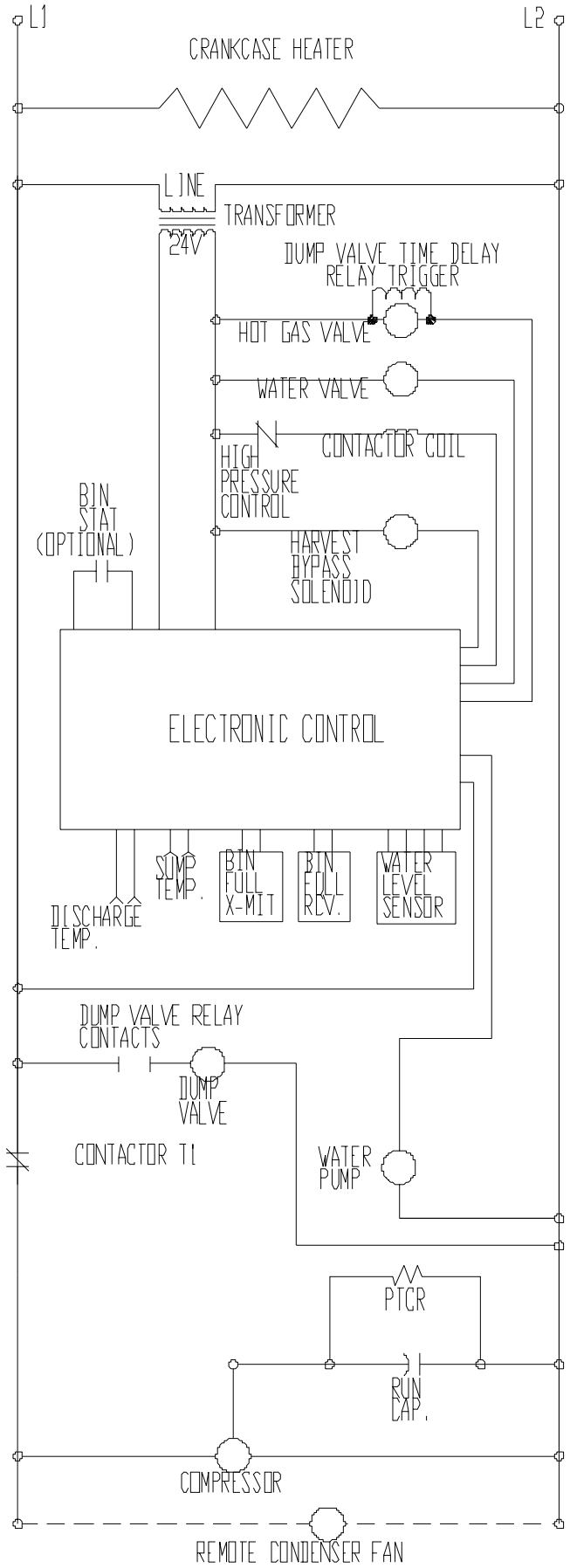
THIS UNIT MUST BE GROUNDED.

CAUTION: MORE THAN ONE DISCONNECT MEANS MAY BE REQUIRED TO DISCONNECT ALL POWER TO THIS UNIT.

SEE NAMEPLATE FOR PROPER VOLTAGE REQUIREMENTS AND MAXIMUM FUSE SIZE

CME1056R Service Parts

Single Phase Schematic Diagram, D Series



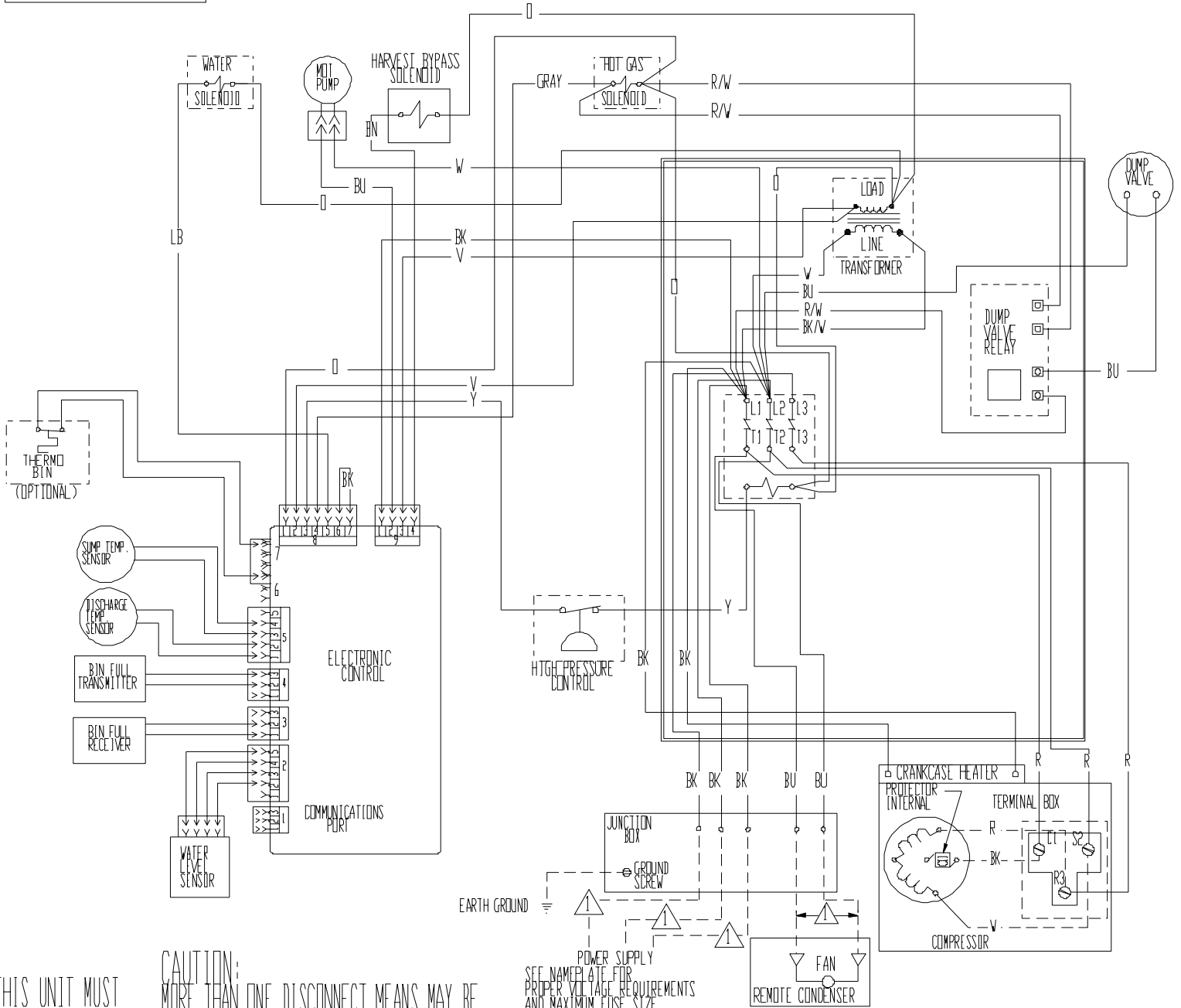
CME1056R Service Parts

Three Phase Wiring Diagram, D Series

17-2801-01

USE COPPER CONDUCTORS ONLY

⚠ DASHED LINES INDICATE FIELD WIRING WHICH MUST BE INSTALLED IN ACCORDANCE WITH THE NATIONAL ELECTRICAL CODE AND ALL STATE AND LOCAL CODES.



THIS UNIT MUST BE GROUNDED.

CAUTION: MORE THAN ONE DISCONNECT MEANS MAY BE REQUIRED TO DISCONNECT ALL POWER TO THIS UNIT.

POWER SUPPLY SEE NAMEPLATE FOR PROPER VOLTAGE REQUIREMENTS AND MAXIMUM FUSE SIZE

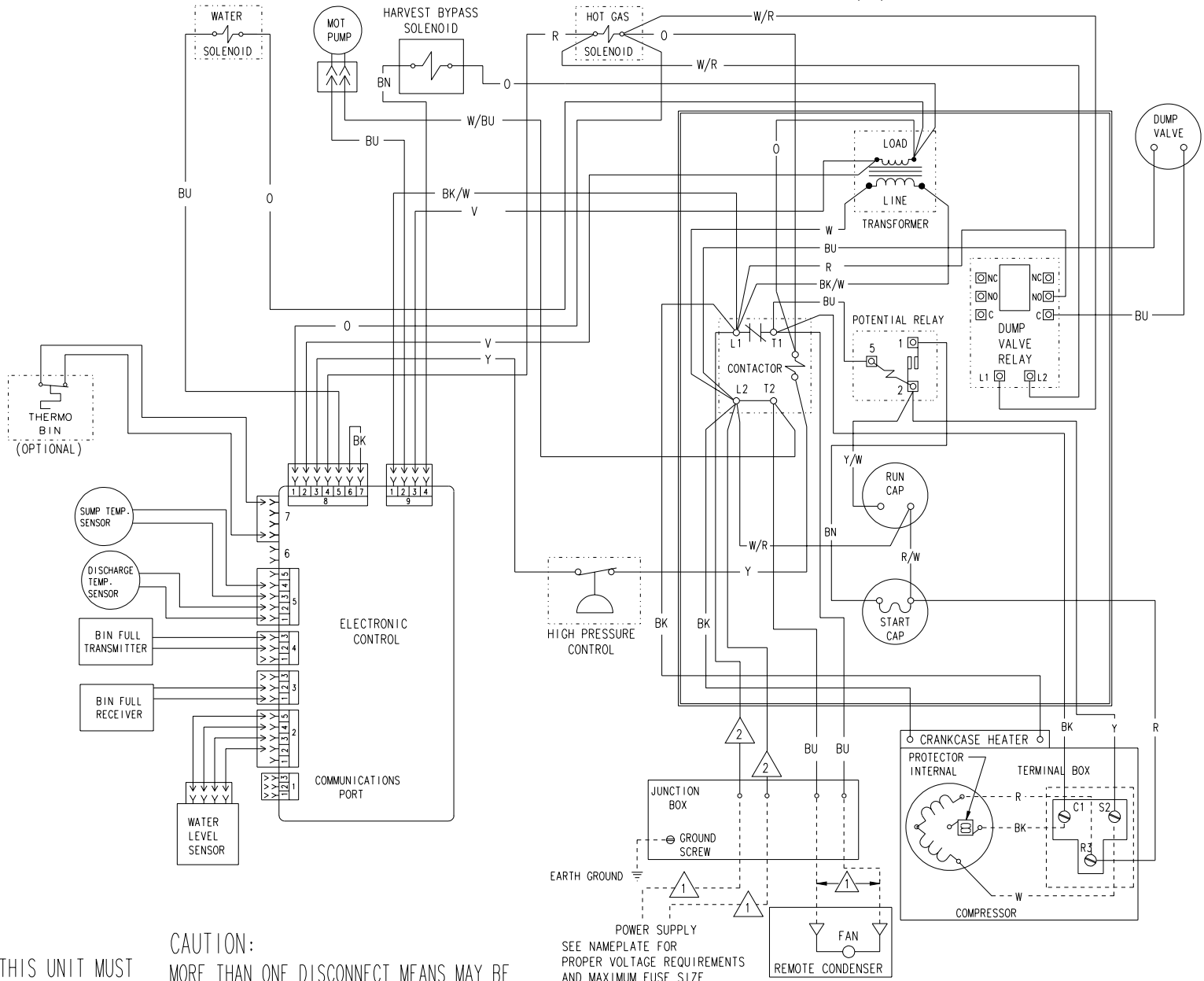
CME1056R Service Parts

Single Phase Wiring Diagram, A Series

17-2585-01

USE COPPER CONDUCTORS ONLY

- ⚠ DASHED LINES INDICATE FIELD WIRING WHICH MUST BE INSTALLED IN ACCORDANCE WITH THE NATIONAL ELECTRICAL CODE AND ALL STATE AND LOCAL CODES.
- ⚠ WIRE COLOR FOR 208-230/60/1 UNITS: BLACK
WIRE COLOR FOR 230/50/1 UNITS : BROWN

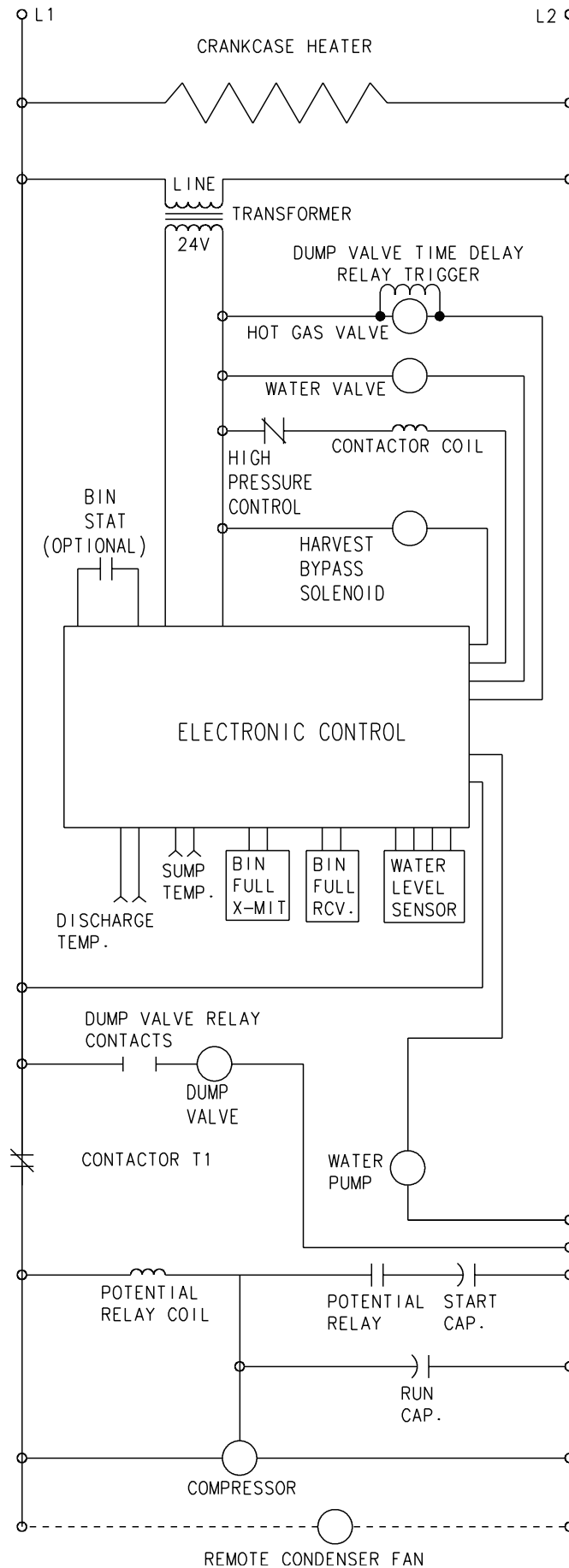


THIS UNIT MUST BE GROUNDED.

CAUTION: MORE THAN ONE DISCONNECT MEANS MAY BE REQUIRED TO DISCONNECT ALL POWER TO THIS UNIT.

CME1056R Service Parts

Single Phase Schematic Diagram, A Series



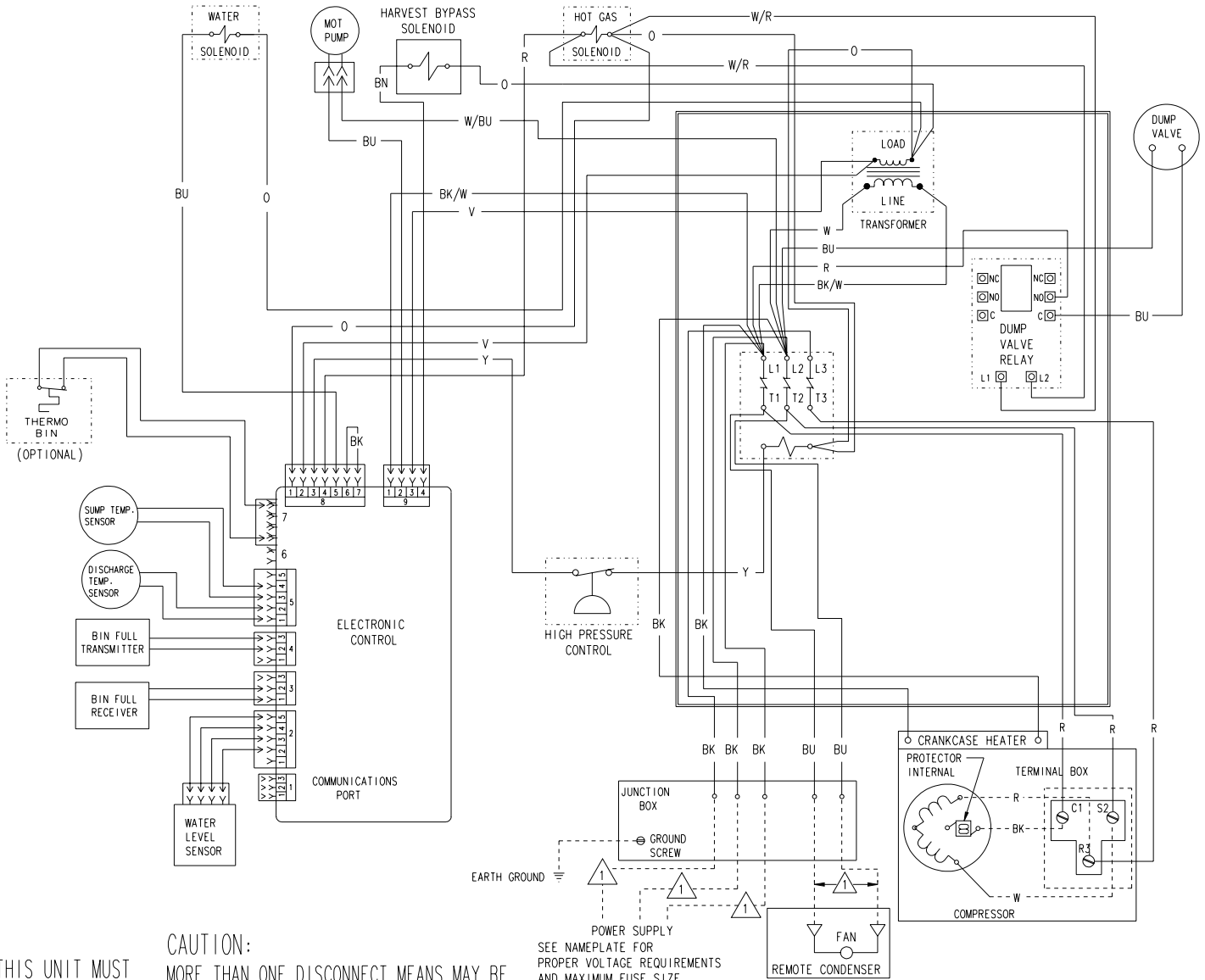
CME1056R Service Parts

Three Phase Wiring Diagram, A Series

17-2587-03

USE COPPER CONDUCTORS ONLY

⚠ DASHED LINES INDICATE FIELD WIRING WHICH MUST BE INSTALLED IN ACCORDANCE WITH THE NATIONAL ELECTRICAL CODE AND ALL STATE AND LOCAL CODES.



THIS UNIT MUST BE GROUNDED.

CAUTION:
MORE THAN ONE DISCONNECT MEANS MAY BE REQUIRED TO DISCONNECT ALL POWER TO THIS UNIT.

POWER SUPPLY
SEE NAMEPLATE FOR PROPER VOLTAGE REQUIREMENTS AND MAXIMUM FUSE SIZE

CME1056R Service Parts

Three Phase Schematic Diagram

