

INTRODUCTION

This product manual contains the information needed for the setup, installation, initial start up, sanitation and maintenance of this ice machine. Keep it for future reference.

There are 2 models covered in this manual:

- CME1356, having 5 evaporators
- CME1656, having 6 evaporators

Be certain that the information applies to the model in question. If no model is listed, the information applies to all models.

This manual is organized in the same way as the expected use of the machine, it begins with specifications, goes thru unpacking and setup, shows where everything is; continues with initial start up, then describes how it works. After that is the sanitation section, followed by service diagnosis and repair.

TABLE OF CONTENTS

<p>Specifications PAGE 2</p> <p>Air Cooled Layout PAGE 3</p> <p>Water Cooled Layout PAGE 4</p> <p>Pre-Installation PAGE 5</p> <p>Location & Assembly PAGE 6</p> <p>Stacking PAGE 7</p> <p>Stacking PAGE 8</p> <p>Bin Control: Installation PAGE 9</p> <p>Bin Control PAGE 10</p> <p>Plumbing PAGE 11</p> <p>Electrical PAGE 12</p> <p>After Utility Connections PAGE 13</p> <p>Component Description and Function PAGE 14</p> <p>System Controller PAGE 15</p> <p>Initial Start Up PAGE 16</p> <p>Adjustments PAGE 17</p> <p>Adjustments PAGE 18</p> <p>How To Operate The System Controller PAGE 19</p> <p>How The Electronic Cuber Works PAGE 20</p> <p>How The Electronic Cuber Works PAGE 21</p> <p>Technicians Only: Freeze Cycle Operational Sequence PAGE 22</p>	<p>Technicians Only: Harvest Cycle Operational Sequence PAGE 23</p> <p>Sanitation and Cleaning PAGE 24</p> <p>Additional Maintenance PAGE 25</p> <p>Additional Maintenance: Water Distributors PAGE 26</p> <p>Additional Maintenance: Inlet Water Valve Screen PAGE 27</p> <p>Additional Maintenance: Ice Sensors, Condenser PAGE 28</p> <p>Service Diagnosis: Controller Diagnostic Light Analysis PAGE 29</p> <p>Service Diagnosis PAGE 30</p> <p>Service Diagnosis: Components PAGE 31</p> <p>PTCR PAGE 32</p> <p>Operational Characteristics: CME1356 PAGE 33</p> <p>Operational Characteristics: CME1656 PAGE 34</p> <p>Removal and Replacement PAGE 36</p> <p>Removal and Replacement: System Controller PAGE 37</p> <p>Removal and Replacement: Water Level Sensor PAGE 37</p> <p>Removal and Replacement: Fan Blade and/or Fan Motor PAGE 38</p> <p>Access Valves PAGE 39</p> <p>Liquid Charging PAGE 40</p> <p>Before Calling for Service PAGE 41</p>
---	--

Parts Lists and Wiring Diagrams are Located in the Center of this Manual

CME1356 and CME1656

Specifications

These ice machines are designed to be installed indoors, in a controlled environment. They can operate satisfactorily under a wide variety of conditions. Do NOT operate the machine in temperatures it has not been designed for. Do NOT operate the machine above or below the voltage limits for the particular model. Do NOT operate the machine with too little or too much water pressure.

Operational Limits

	Minimum	Maximum
Air Temperature	50°F.	100°F.
Water Temperature	40°F.	100°F.
Water Pressure	20 psi	80 psi
Voltage (60 Hz model)	198	253
Voltage (50 Hz model)	207	253

Inlet water flow required is 2.7 GPM.

A stacking kit, for like models, is **KSCME6-LG-B**

Basic Information

Model Number	Model Series	Dimensions W" x D" x H" (w/o bin)	Basic Electrical	Condenser Type	Minimum Circuit Ampacity	Maximum Fuse Size	Refrigerant Charge (R-404A)
CME1356AS-32	A thru E	48 ½ x 24 x 28	208-230/60/1	Air Cooled	26.7	30	64 ounces
CME1356WS-32	A thru E	same	208-230/60/1	Water Cooled	23.9	30	62 ounces
CME1356WS-32	F	same	208-230/60/1	Water Cooled	23.9	30	58 ounces
CME1356AS-3	A thru E	same	208-230/60/3	Air Cooled	17.8	20	64 ounces
CME1356WS-3	A thru E	same	208-230/60/3	Water Cooled	14.9	20	62 ounces
CME1356WS-3	F	same	208-230/60/3	Water Cooled	14.9	20	58 ounces
CME1356AS-6	A thru E	same	230/50/1	Air Cooled	26.7	30	64 ounces
CME1356WS-6	A thru E	same	230/50/1	Water Cooled	23.9	30	62 ounces
CME1356WS-6	F	same	230/50/1	Water Cooled	23.9	30	58 ounces
CME1656AS-32	A thru D	same	208-230/60/1	Air Cooled	26.7	30	64 ounces
CME1656WS-32	A thru E	same	208-230/60/1	Water Cooled	23.9	30	62 ounces
CME1656WS-32	F	same	208-230/60/1	Water Cooled	23.9	30	58 ounces
CME1656AS-3	A thru E	same	208-230/60/3	Air Cooled	17.8	20	64 ounces
CME1656WS-3	A thru E	same	208-230/60/3	Water Cooled	14.9	20	62 ounces
CME1656WS-3	F	same	208-230/60/3	Water Cooled	14.9	20	58 ounces
CME1656AS-6	A thru E	same	230/50/1	Air Cooled	26.7	30	64 ounces
CME1656WS-6	A thru E	same	230/50/1	Water Cooled	23.9	30	62 ounces
CME1656WS-6	F	same	230/50/1	Water Cooled	23.9	30	58 ounces

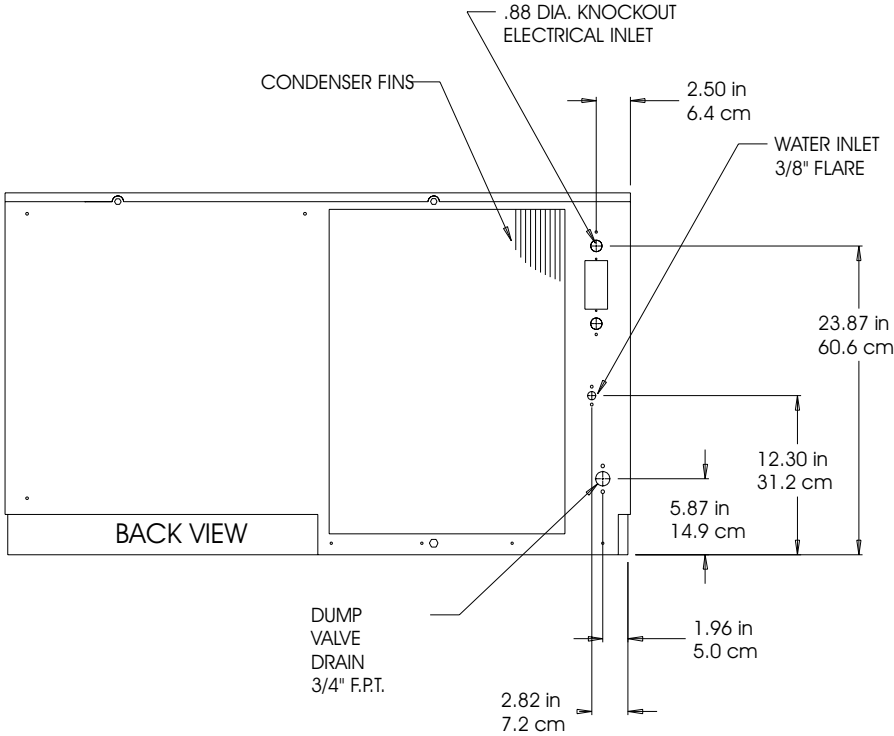
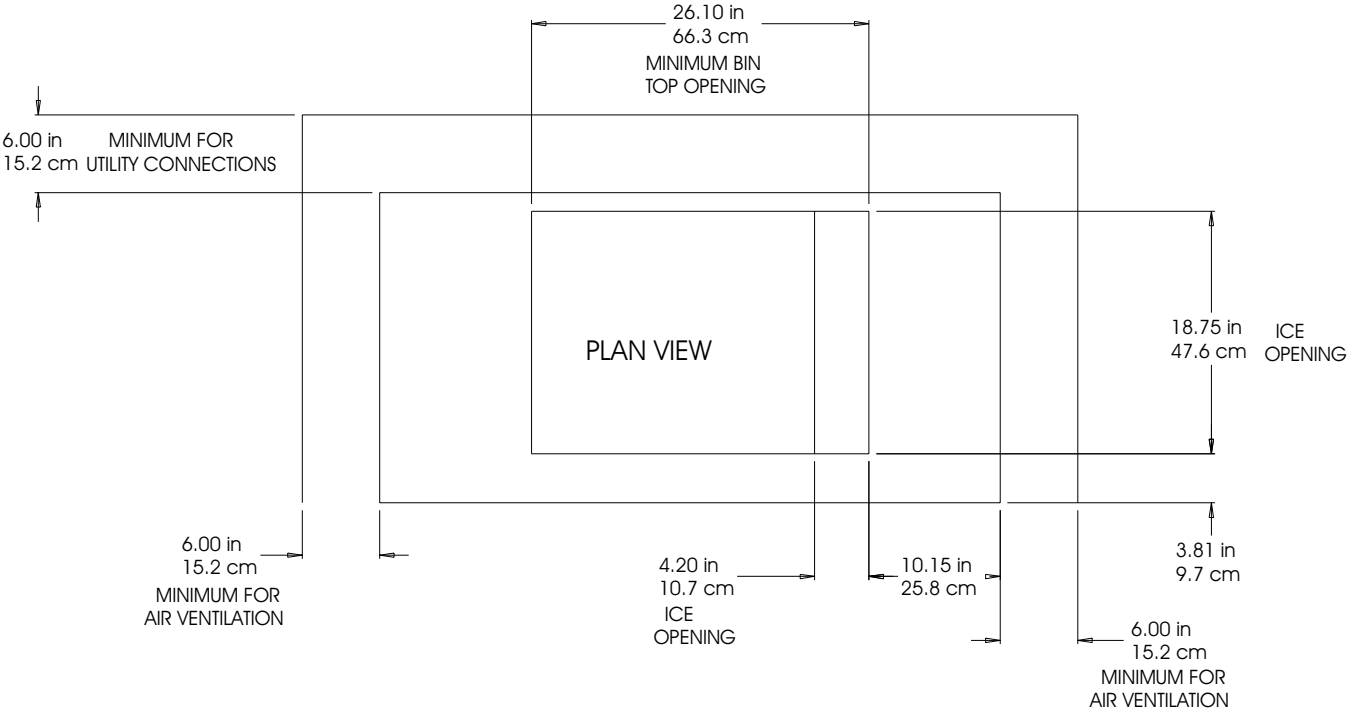
Voltage note: The control system transformer in the control box of this ice machine has two primary taps, one for 208 volt power and one for 240 volt power. The machine ships with the power supply connected to the 208 volt tap. Change to the 240 volt tap when the voltage supplied to the unit is greater than 229 volts

All models will fit a standard, 48" wide Scotsman Ice Storage Bin. Some examples are BH900, BH1100, BH1300, BH1600. There may be other bins that can be used, check Scotsman's sales literature for application information. Slope front bins must have an internal baffle like the BH900. Baffle must be approximately in the position shown in the diagram on page 5.

Scotsman reserves the right to make design changes and/or improvements at any time. Specifications and designs are subject to change without notice.

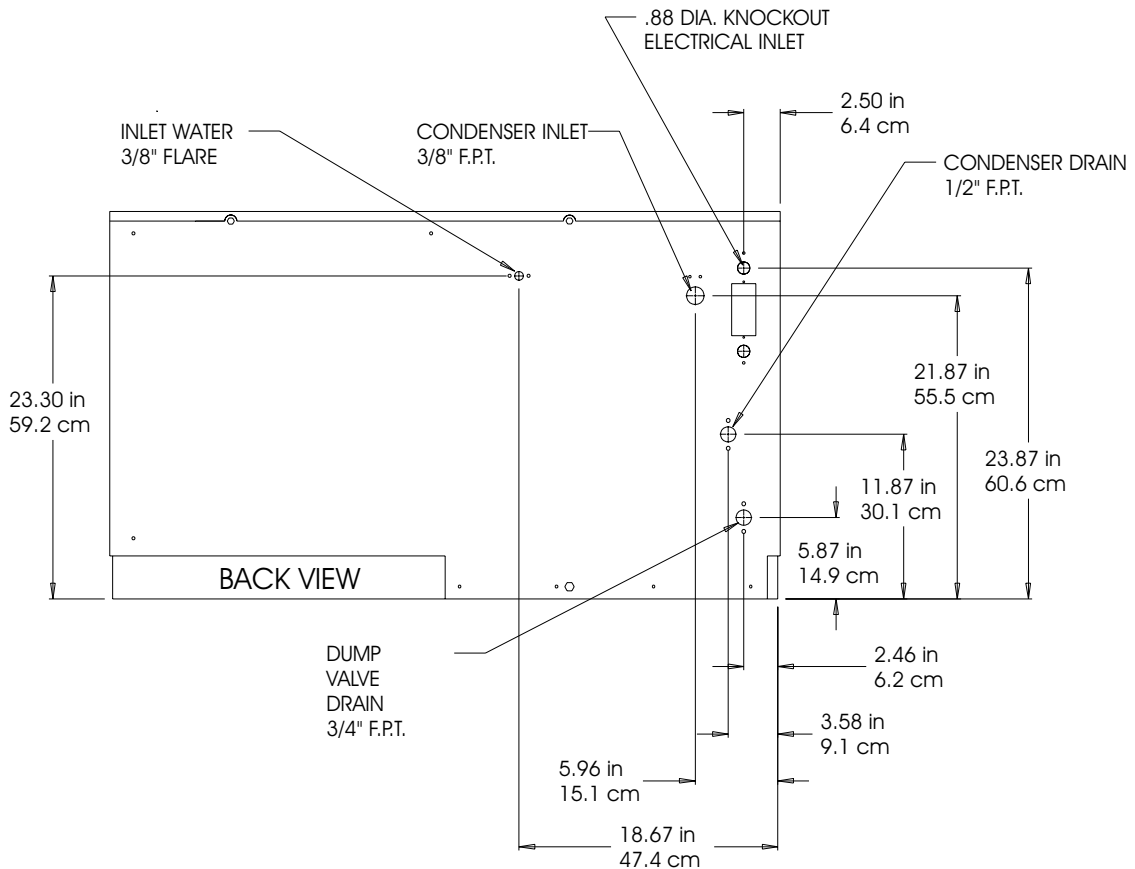
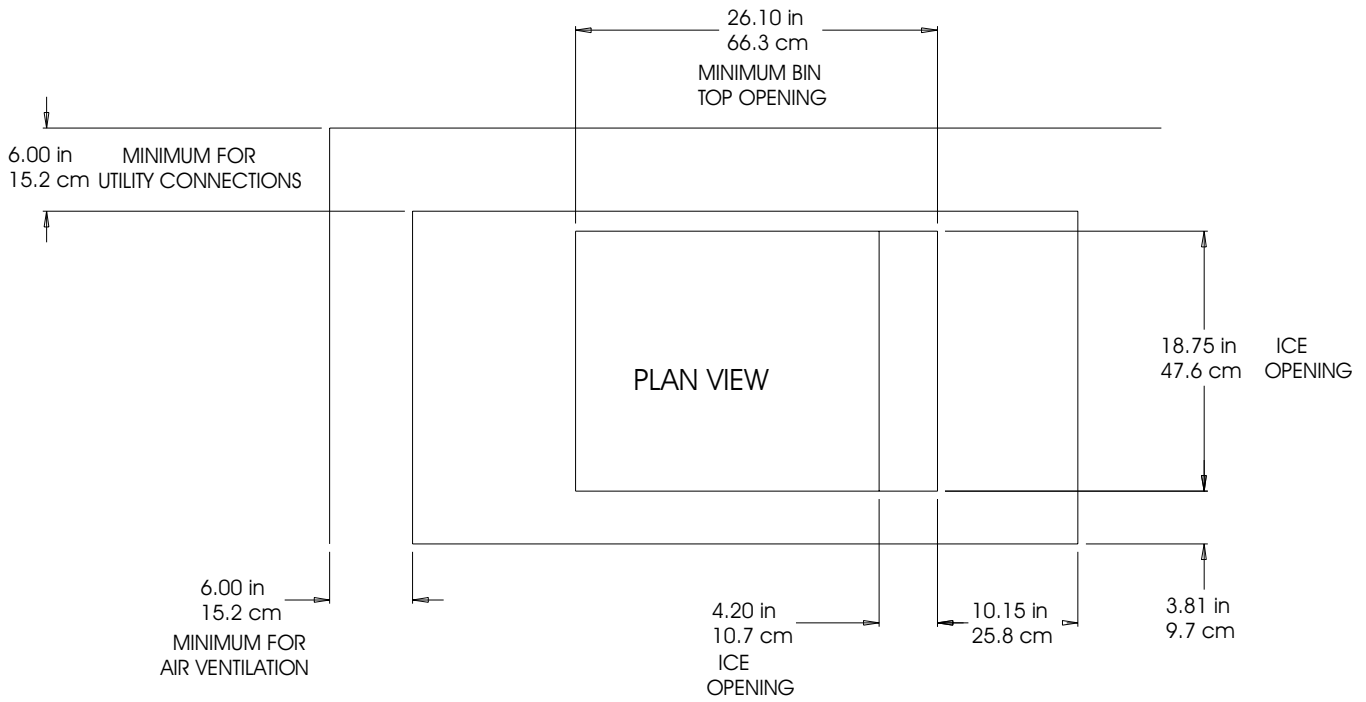
Dateplates on the ice machine contain charge and electrical requirements. Always go by the dataplate information. The table below is for reference.

Air Cooled Layout



CME1356 and CME1656

Water Cooled Layout



Pre-Installation

Other Applications:

Check Scotsman sales information for recommendations regarding applications.

Check the nameplate for electrical requirements. The nameplate is located on the back of the ice machine. While the model and serial number are on the nameplate, a serial number plate is located at the front of the machine, near the purge valve..

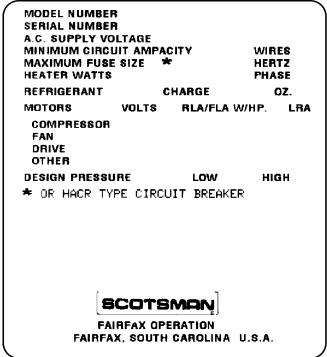
Water:

There is no such thing as pure water. All water contains some impurities. There are two ways water carries the impurities: suspended and dissolved. Suspended solids can be filtered out. Dissolved solids must be diluted or treated. Water filters are recommended to remove suspended solids. Some filters have treatment in them for suspended solids. Check with a water treatment service for a recommendation.

Cube Ice machines use more water than what ends up in the bin as ice. While most water is used during ice making, a portion is designed to "rinse" out the water system to keep hard water scale from clogging up the machine. That water rinse, combined with water filters, prolongs the times between needed water system cleaning.

Service Technicians: All models covered here come set from the factory at a "standard" water rinse, which is compatible with typical water conditions. They may be adjusted to "Minimum" or "Maximum" water rinse after start up. If the prior ice machine worked acceptably well with the local water conditions, leave the machine at the factory setting. If severe water conditions are present, and water filters do not solve the problem acceptably, adjust the machine to use more water. If water conditions are excellent, adjust the machine to use less water. See the Adjustments section.

Note: Water use adjustments are customer convenience adjustments; they are NOT factory defects and are NOT covered by warranty.

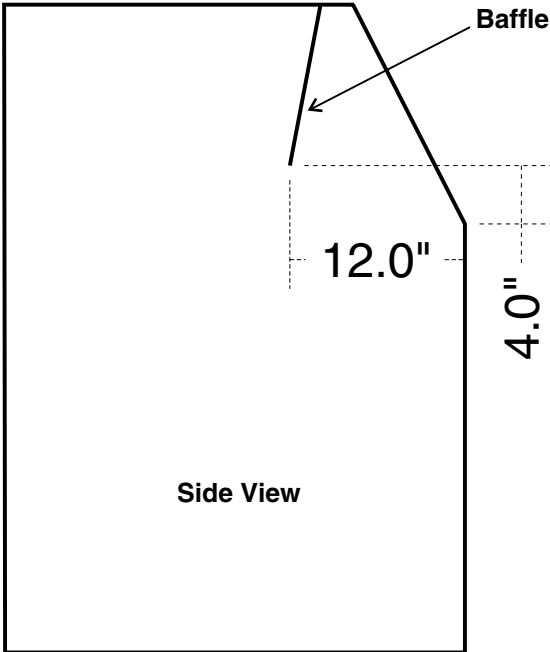


Nameplate



Serial Number Plate

Note: Slope front bins must have an internal baffle. Scotsman's BH900 has the required baffle. Baffle must be approximately in the position shown in the diagram.

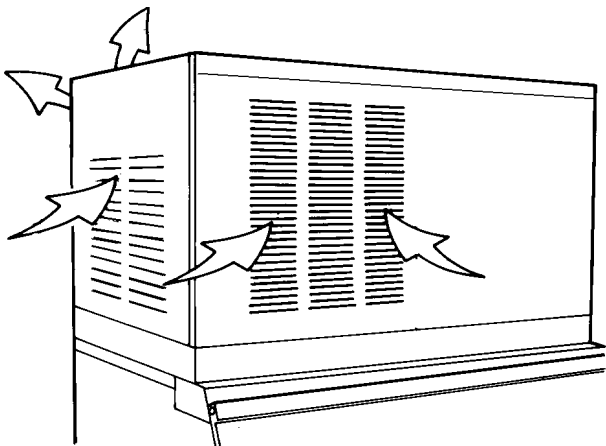


CME1356 and CME1656

Location & Assembly

The air cooled models take room temperature air in from the left side and the front and discharge warm air out the back.

A 6 inch minimum clearance on the back, and both sides is required for the proper operation and service of the air cooled model.



Unpacking and Assembly:

Begin with unpacking the ice storage bin. Remove the carton, and using part of the carton as a cushion, tip the bin on its back to remove the skid and attach the legs or casters.

Note: Stacked applications may not use casters.

Return the bin to an upright position. Check the bin top gasket for gaps and tears, fill any in with food grade sealant prior to placing the ice machine on the bin.

Level the top edge of the bin front to back and left to right.

If the ice machine has not been unpacked, do so now. Remove the carton from the skid. After removal of the shipping straps, lift the ice machine off the skid directly onto the bin.

Note: The machine is heavy! Use a mechanical hoist if necessary.

Secure the ice machine to the bin with the hardware provided (two metal straps and 4 bolts).

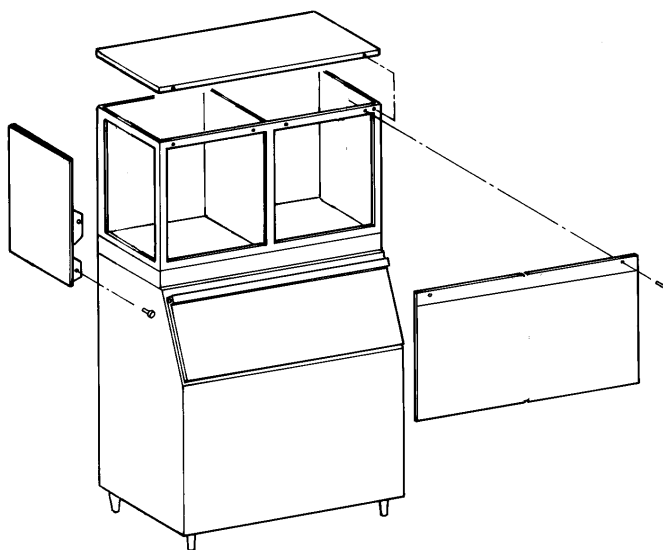
Locate the Bin Thermostat Bracket and hardware. Retain for later use.

Air cooled: Remove baffle from its shipping position and secure to the back of the cabinet. Follow the directions on the baffle for proper installation.

Cabinet Panel Removal:

Note: The top panel holds the upper edges of the side panels in place.

1. Remove the front panel by removing the two screws connecting the front panel to the machine.
2. Lift up at the front edge and push the top panel back until it releases from the tabs connecting it to the back panel.
3. Remove the screws at the front edge of the left side panel, and pull forward until it releases from the tabs connecting it to the back panel.



Stacking - Kit KSCME6-LG-B

Only like models may be stacked. Begin after the bottom unit has been placed on the ice storage bin and secured. Stacking requires heavy duty leg kits. Casters are NOT recommended.

Note: Instructions are for either model.

Bottom Machine:

- 1. Remove front panel, left side panel, and top panel.
- 2. Remove & discard top cover from over the freezing compartment.
- 3. Install gasket materials to freezing compartment:

Cut about 22" of gasket material from the roll in the kit. Apply it to the back side top edge of the freezing compartment.

Cut two lengths of gasket material to fit the right side top edge of the freezing compartment and apply them.

- 4. Place a bead of food grade sealant to the top of the back wall's gasket.
- 5. Place the shield bracket (has a large hole in the center) from the kit over the center of the freezing compartment.

Insert the tabs of the bracket into slots on the back of the unit.

- 6. Secure bracket at the front with screws from the kit.

- 7. Hang the plastic shields from the bracket installed in the prior step. Use the slots in the shields to hang them from the stainless steel hooks.

Note: The notch in the bottom of the shield goes to the front.

Note: The tabs on the shields must fit inside the ice outlet port.

- 8. Check the position of the shields. They must move freely and be vertical.

Note: The suction line may need to be moved slightly so the tubing clears the bracket & shields.

- 9. Place a bead of food grade sealant onto the top left edge of the freezing compartment.
- 10. Install the front-to-back support bracket over the left edge of the freezing compartment.

- 11. Remove two existing screws and secure the bracket to the: freezing compartment, back panel and front channel with the 2 existing screws and 1 large and 4 small screws from the kit.

Both Machines:

- 12. Place the top ice machine onto the bottom one. Secure together with hardware from the top machine. Remove left front and left side panels.

- 13. At the back of the ice machines, on the compressor end, remove the upper knock-out from the bottom machine and the lower knock out from the upper machine.

- 14. Place a strain relief (from the kit) into each hole.

- 15. Insert wire harness from kit thru strain-relief and hole in upper corner of the lower ice machine's back panel.

NOTE: Harness is marked which end goes to which machine.

Bottom Machine:

- 16. Remove harness from controller terminal 7 and bin thermostat.
- 17. Route wire harness in lower ice machine to the controller. Connect to terminal #7. Plug the two free wires onto the thermostat terminals #1 and #2.
- 18. Return left side panel to its original position on the lower ice machine.

Top Machine:

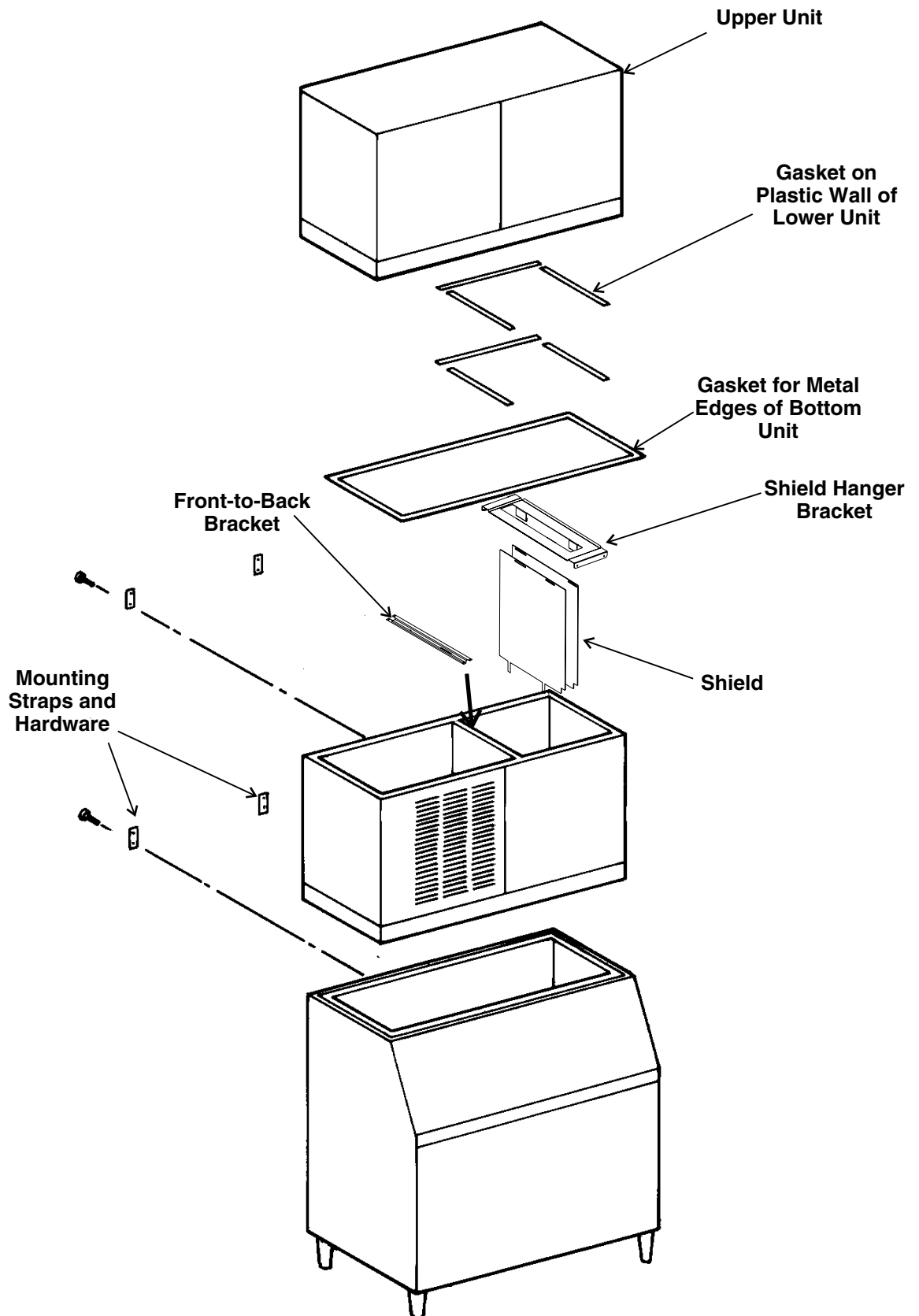
- 19. Remove harness from controller terminal 7.
- 20. Route wire harness thru upper unit's lower knock-out hole and strain relief and continue internally to the controller. Plug wire onto terminal 7 of the controller.
- 21. Return all panels and covers to their normal positions.
- 22. Complete the balance of the installation.

Service Notes:

- A. The shields must be positioned so they hang vertically and move freely left to right. Their purpose is to guide the ice past the bottom machine's evaporators and into its cube port.
- B. The drain lines from each ice machine must be kept separate.

CME1356 and CME1656

Stacking



Bin Control: Installation

The bin control is a thermostat. It **must** be field installed **after** the ice machine has been placed on the bin.

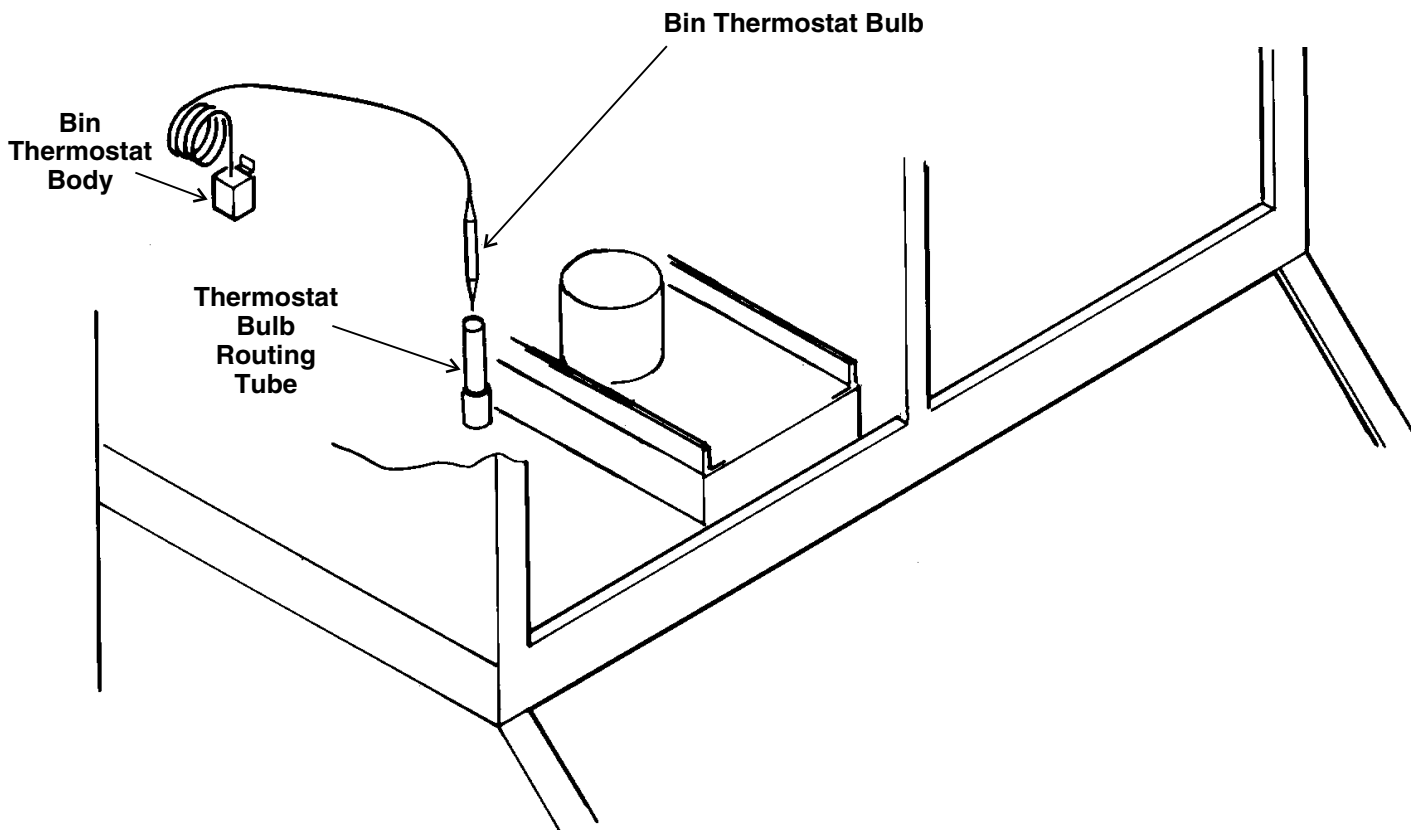
Before starting, remove the left front panel and any baffle in the bin.

1. Locate bin thermostat bulb.
2. Route bulb thru routing tube (located between the compressor and the reservoir).
3. Locate bin thermostat bracket.
4. Carefully position the thermostat bulb on the bracket (see the diagram on the next page).
5. Fasten the bracket to the bottom of the ice machine with the two 3-pronged knobs supplied with the unit.
6. Pull back into the ice machine any excess capillary tubing.
7. Return the baffle to the bin and continue with the installation.

 Note: If the machine is located at an altitude higher than 2,000 ft., adjust the thermostat by removing the plastic cover and rotating the adjustment screw per the table.

Bin Thermostat Altitude Correction Table			
CW Turns of Range Screw (under plastic cover)			
Feet	Turns	Feet	Turns
2000	55°	8000	340°
4000	160°	9000	385°
6000	250°	10000	405°

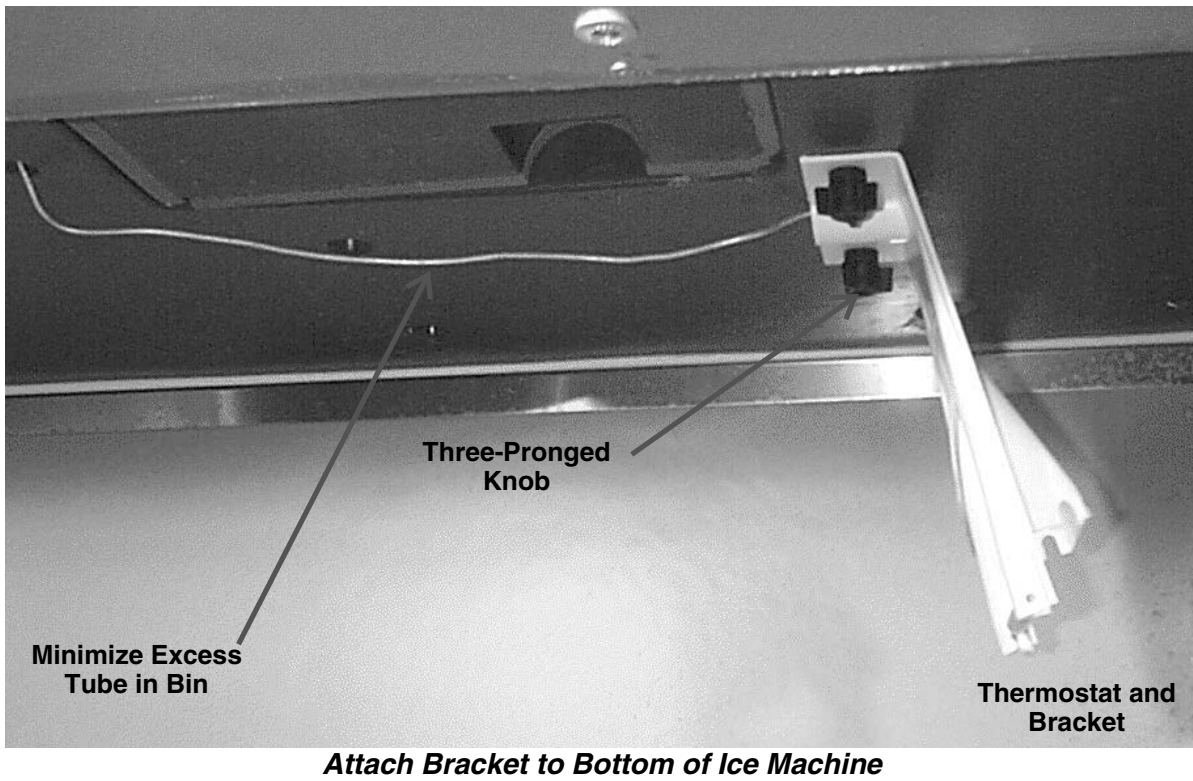
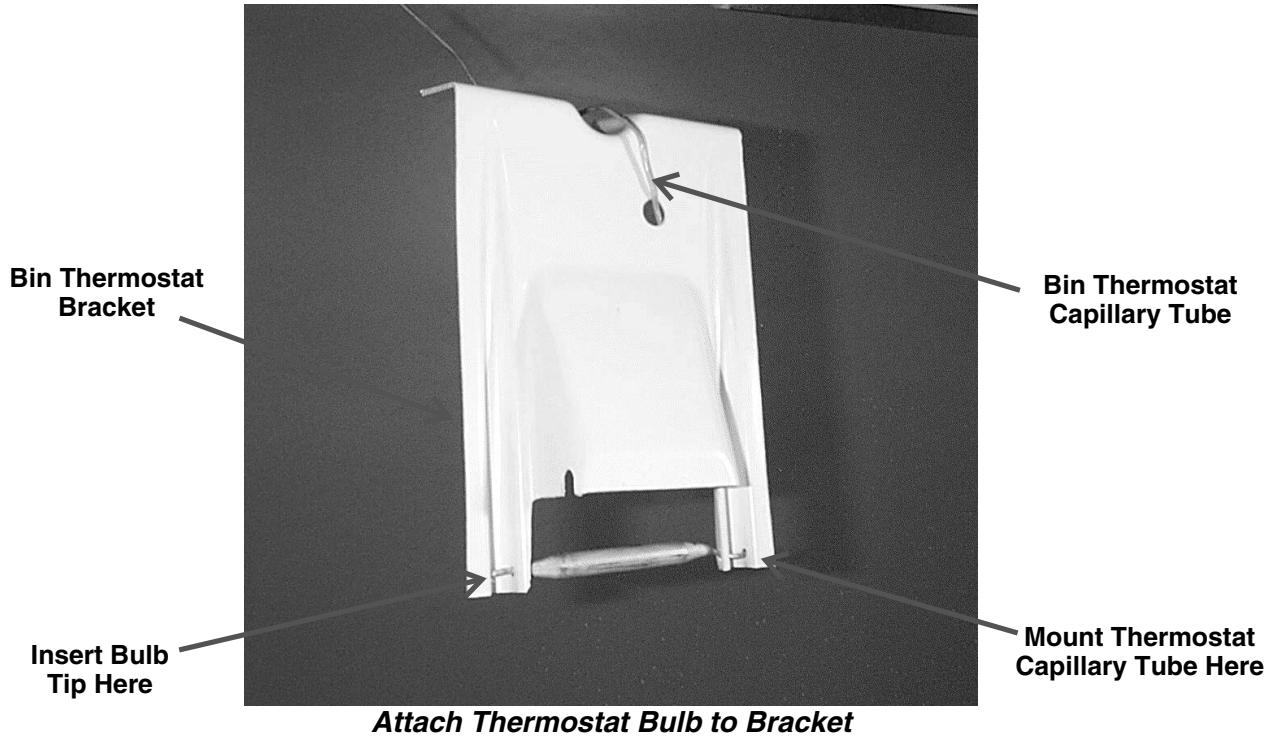
Use This Table to Adjust Thermostat



Route Bin Thermostat Bulb Into Bin

CME1356 and CME1656

Bin Control



Plumbing

All models require an adequate potable water supply and a gravity drain. The recommendations for tubing are:

- Water supply to be $\frac{3}{8}$ " OD.
- Drain to be $\frac{3}{4}$ " OD.

Note: When replacing a prior ice machine, do not take a short cut and reuse the old inlet and drain system. **INSTALL A NEW SYSTEM.**

Supply:

Air cooled models have 1 water supply connection, a $\frac{3}{8}$ " male flare at the back of the cabinet. Connect to cold potable water that has adequate pressure.

Note: Using water supply tubing smaller than $\frac{3}{8}$ " will cause severe operational issues.

Water cooled models have an additional $\frac{3}{8}$ " FPT condenser inlet connection at the back of the cabinet.

Water Filters:

The water filters must flow at least 2.7 GPM or they will cause severe operational issues. Check with the filter manufacturer. When replacing a prior ice machine, do NOT assume that the water flow capacity of the filter will be adequate.

All Drain Tubing Material must be RIGID. Flexible tubing will eventually cause a restricted drain.

Drain:

Air cooled models have 1 gravity drain connection, a $\frac{3}{4}$ " FPT fitting at the back of the cabinet. Use only RIGID TUBING. Flexible tubing may be easily kinked or become cracked.

The drain tube must be vented at the back of the cabinet. Use an 18" high vent.

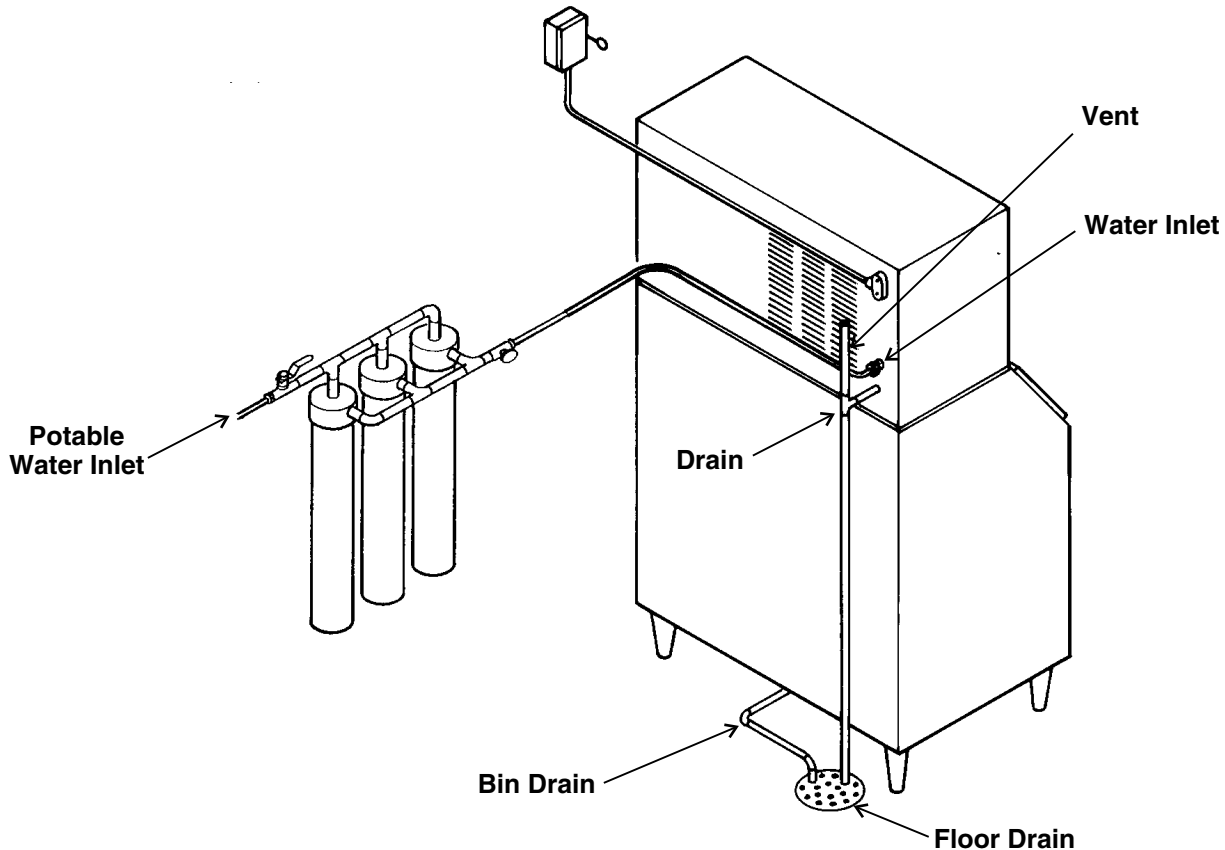
Water cooled models have an additional condenser drain. It is a $\frac{1}{2}$ " FPT fitting at the back of the cabinet. Do NOT vent this drain.

The ice storage bin will have a drain out the back or base, depending upon the model.

The drain for the ice machine and the ice storage bin must be SEPARATE or the ice machine's drain water may run into the bin and MELT THE ICE.

Insulation is recommended for the ice machine reservoir and bin drains.

Follow all applicable codes



CME1356 and CME1656

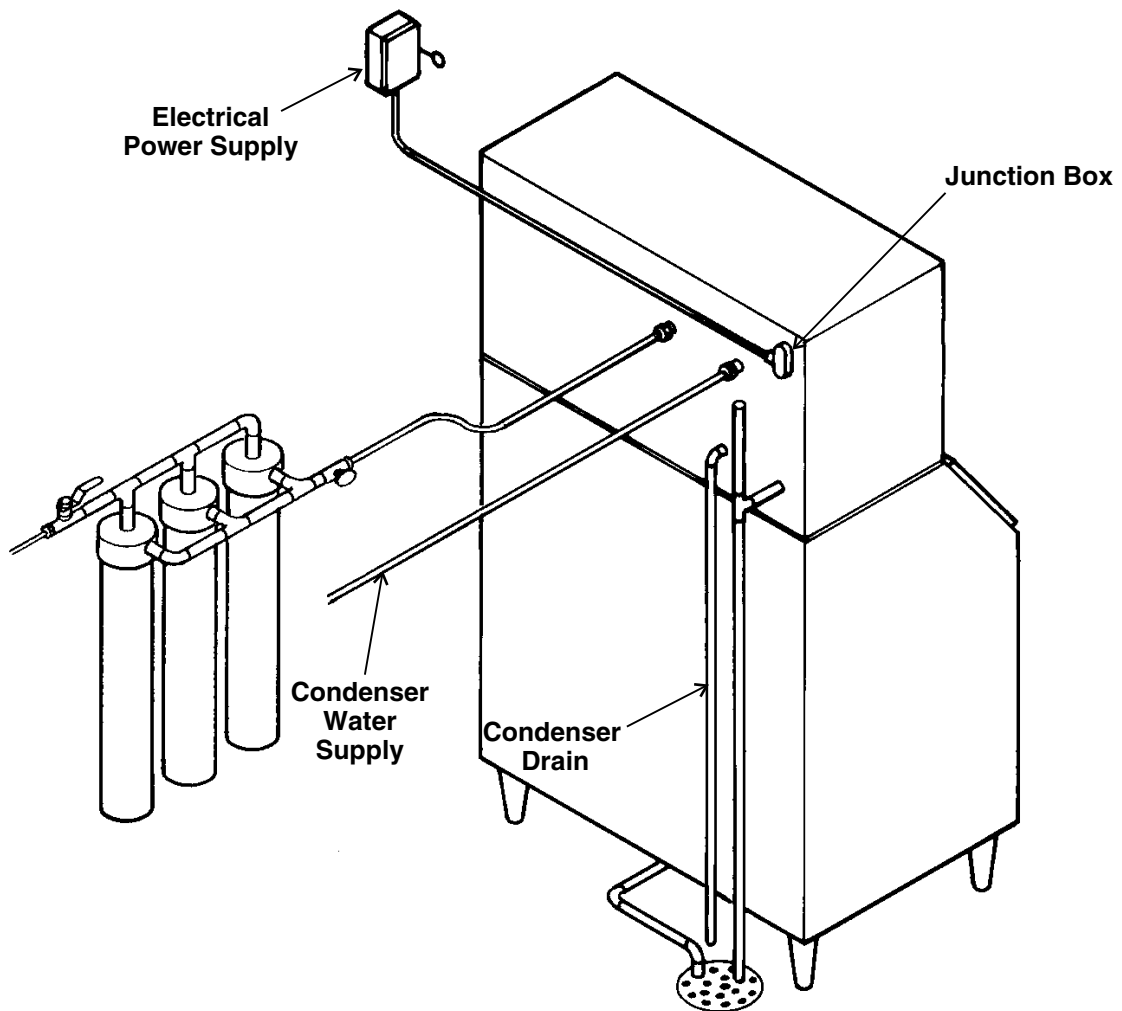
Electrical

All models must be installed with the correct wire size and type per the National Electric Code. Locate the nameplate on the back of the cabinet and find the numbers for Voltage, Phase, Minimum Circuit Ampacity and Maximum Fuse Size. Either fuses or HACR type circuit breakers may be used.

Electrical connections are made in the junction box in the back of the cabinet.

1. Remove the junction box cover.
2. Knock out 1 hole for a field supplied strain relief.
3. Install wires and strain relief per code.
4. Connect to wires and secure ground wire to ground screw inside the junction box.

Follow all Local, State and National codes.



Water Cooled Model Shown

After Utility Connections

1. Level the cabinet, use the leg levelers on the end of the legs to adjust the cabinet height.
2. Wash out the bin. If desired, the interior of the bin could be sanitized.
3. Locate the ice scoop (if supplied) and have it available for use when needed.

Final Check List:

- 1. Is the unit located indoors in a controlled environment?
- 2. Is the unit located where it can receive adequate cooling air?
- 3. Has the correct electrical power been supplied to the machine?
- 4. Have all the water supply connections been properly made?
- 5. Have all the drain connections been properly made?
- 6. Has the unit been leveled?
- 7. Have all unpacking materials been removed?
- 8. Has the bin control been installed?
- 9. Is the water pressure adequate?
- 10. Have the drain connections been checked for leaks?
- 11. Has the bin interior been wiped clean or sanitized?
- 12. Have any water filter cartridges been replaced?

CME1356 and CME1656

Component Description and Function

Reservoir: Contains the water for ice making.

Water Inlet Valve: Opens to allow water into the reservoir.

Water Level Sensor: Controls the size of the ice cube by measuring how much water is used in a cycle. It consists of a float, stem and electric eye. The stem will move slightly when the pump is on, this is normal. As the machine makes ice the reservoir water level will fall and the visible portion of the stem will slide down thru the slot in the sensor body.

Evaporators/Freezing Compartment: Location of the evaporators. Ice forms on the evaporators and is released when warmed up during the harvest cycle. The freezing compartment is fully insulated for maximum efficiency.

Cube Deflectors: The slots in the inclined deflectors let the water falling from the evaporators back into the reservoir, but when ice falls during harvest, the ice slides off into the bin.

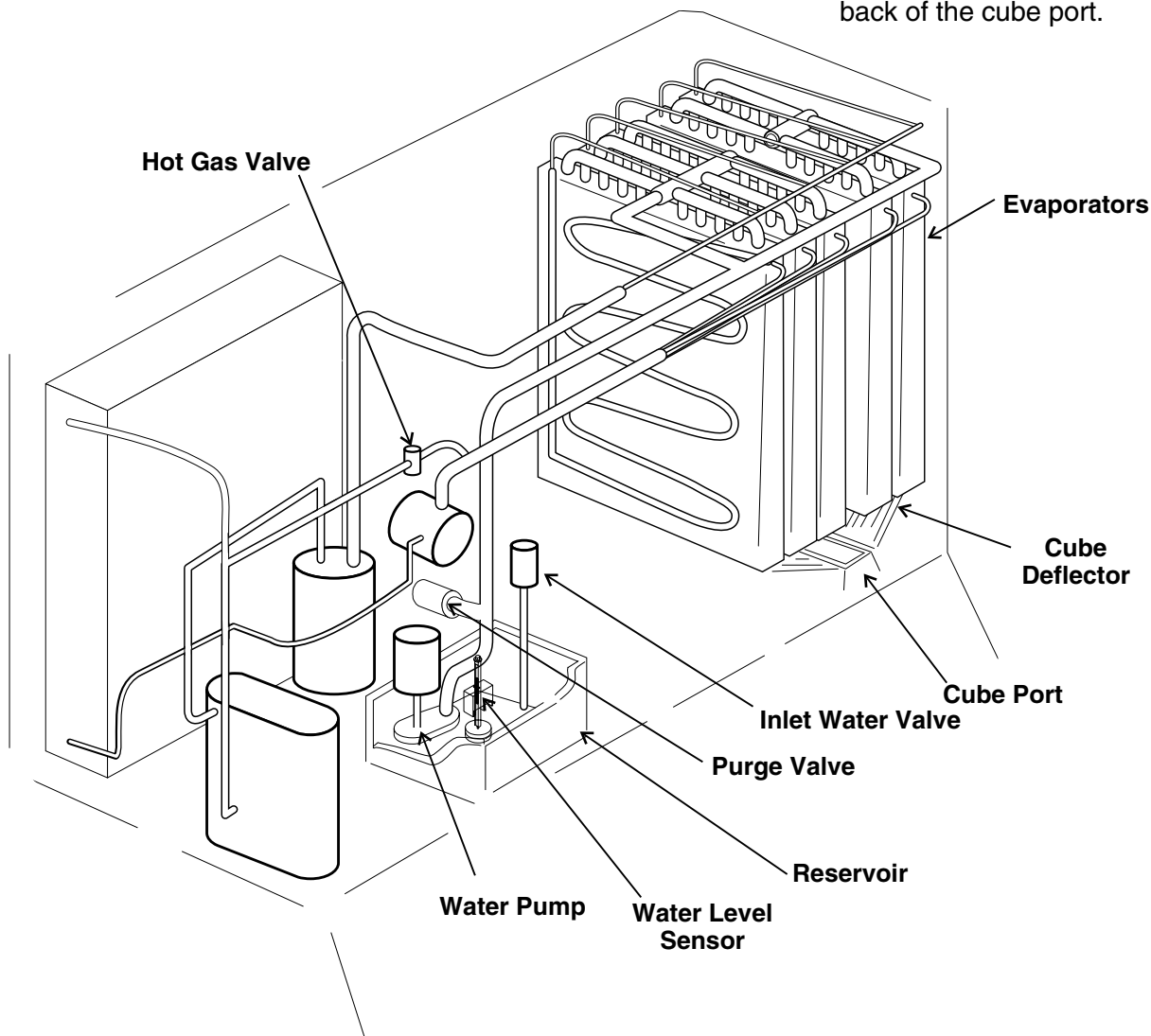
Refrigeration Service Access Valves: Only to be used by a certified technician. Allows access to the refrigeration system for diagnostic information.

Water Pump: Forces the water from the reservoir to the top of the evaporators. The motor is separated from the reservoir water to minimize contact with the water.

Hot Gas Valve: Closed during freeze, it opens during harvest to divert hot discharge refrigerant gas into the inlet of the evaporators.

Purge Valve: Opens during the early part of the harvest cycle to drain the reservoir.

Ice Sensor: A photo-electric eye set, located at the front and back of the cube port.



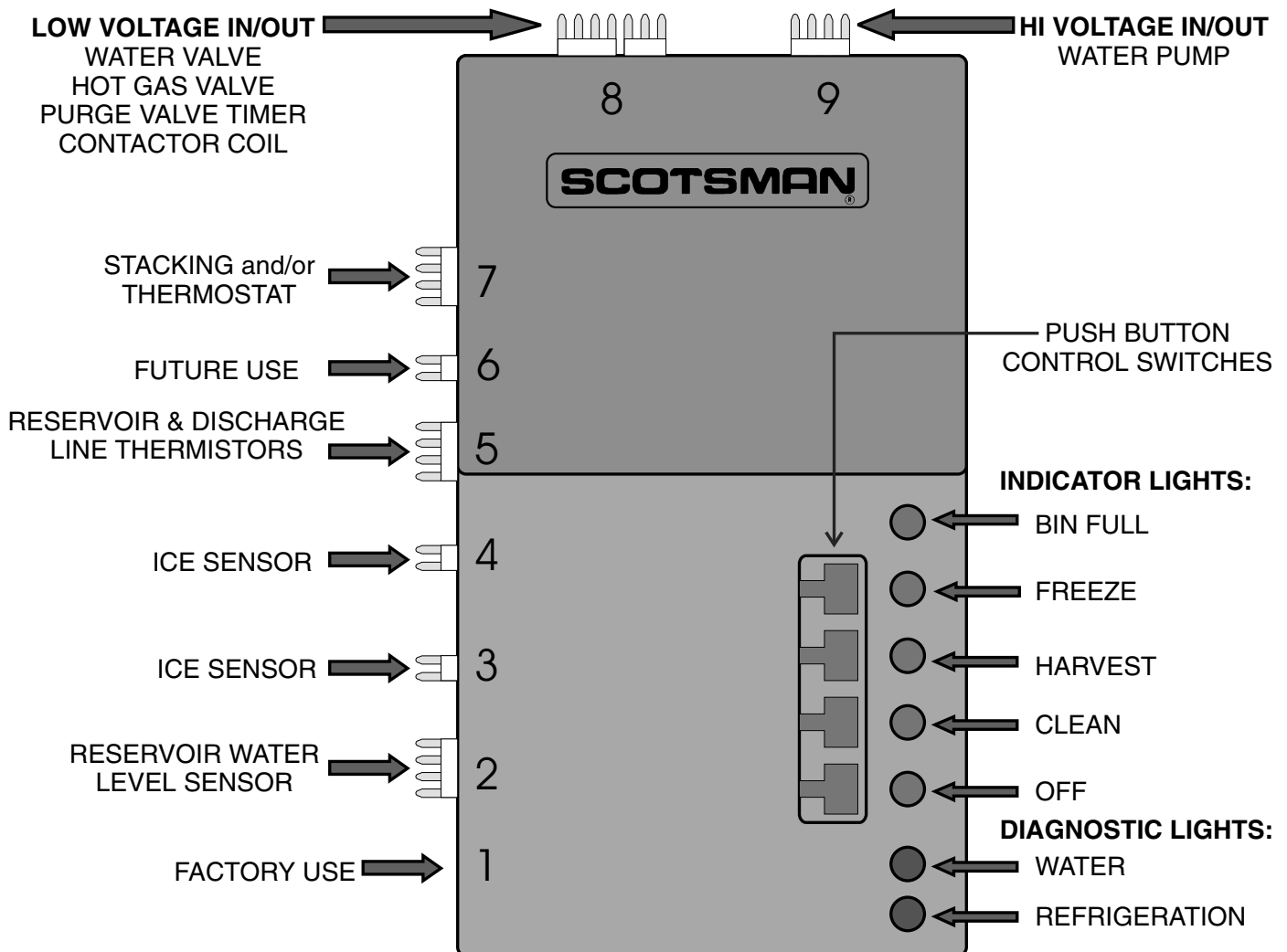
AutoIQ Controller

Indicator Lights:

- **Bin Full:** On when bin is full, goes on and off as ice falls during a harvest cycle.
- **Freeze:** On when the unit is in the Freeze cycle, blinks when a freeze mode is pending.
- **Harvest:** On when the unit is in the Harvest cycle.
- **Clean:** On when the unit is in the Clean cycle, blinks when preparing for a clean mode.
- **Off:** On when the unit has been switched off, blinks when the machine is preparing to shut off.
- **Water:** On when the controller has identified a problem with the water system.
- **Refrigeration:** On when the controller has identified a problem with the refrigeration system.

Cycle Definitions:

- **Freeze:** The refrigeration system is operating to remove heat from the evaporators. The compressor, fan motor (if air cooled) and water pump are ON.
- **Harvest:** The refrigeration and water systems are operating to harvest the ice cubes. While the compressor is on for the full cycle, the water pump will be off at the beginning and inlet water valve will switch off before the end.
- **Clean:** The Inlet Water Valve opens to fill the reservoir. The Water Pump starts. The Clean indicator light is switched ON. A manually initiated rinse flushes the system.



CME1356 and CME1656

Initial Start Up

1. Remove the front panel.
2. Locate the AutoIQ Controller.
3. Switch on the electrical power. The controller's indicator lights all flashed on briefly. Blue controllers also begin to flash their red lights and the Freeze light will be on. After 20 seconds the red lights stop flashing, the Freeze light goes out, the Bin Full and Off lights switch on and then the Bin Full light goes out. The Off light will be glowing.
4. Open the water supply valve.
5. Push and release the Freeze switch (the Freeze indicator light blinks until the compressor starts).

Initial Start

- The Freeze light will begin to blink.
- The Hot Gas Solenoid valve will be open.
- The Purge valve will be open.
- The Water pump is on.
- The hot gas and purge valves close and the inlet water valve opens to fill the reservoir and shuts off when the reservoir is full.
- The compressor starts.

Freeze Cycle:

- The Freeze indicator light will be on. The machine will stay in a Freeze cycle for many minutes.
- The pump will stop for a few seconds a few minutes into the freeze cycle.
- The fan motor (of air cooled models) will begin to turn and soon warm air will be forced out the back of the cabinet.
- The freeze cycle will continue until the water level in the reservoir drops to its factory set point; the first time that happens in the freeze cycle will cause the controller to open the inlet water valve to refill the reservoir, the second time in the freeze cycle that this set point is reached starts the Harvest Cycle.

Harvest Cycle:

- The Harvest indicator light will be ON,
- The hot gas valve will open.
- The purge valve will be open for 74 seconds.
- The water pump will stop. It will restart in less than 74 seconds.
- The purge valve closes and the Inlet water valve will open for a short time to add water.

- The Bin Full indicator light will go on and off as ice falls from the evaporators.

6. Machines are shipped from the factory with the purge level set to accommodate average water conditions. To achieve optimal machine performance, set the purge level to the minimum setting.

Note: While the amount of water purge is adjustable, only those installations with a water supply known to be excellent (very low TDS) should adjust to the minimum setting. See page 18 for purge adjustment instructions.

7. The machine's correct cube size should result in ice falling from the evaporator in vertical strips of 8 - 10 cubes; the top 2 cubes might fall individually.

8. After about 6 minutes the machine will return to a freeze cycle.

Note: After the first harvest, the controller will adjust harvest time as needed to release all ice.

9. The water valve will re-fill the reservoir at the beginning of freeze.

10. Collect and discard the first batch of ice. Rinse out the bin.

11. Fill out the Customer Evaluation and Warranty Registration. Send it to Scotsman.

12. Replace the left front panel.

13. Inform the user of the location and telephone number of the local service company. Also inform the user of the required maintenance of the machine.

Notes On Operation:

1. The bin control signals the ice machine to shut off whenever the bin becomes full, but the machine will not stop until it has finished the next harvest cycle. This last harvest cycle will be longer than the rest.

2. After the bin has filled the unit will not be able to restart for 4 minutes. However, if needed, the Freeze button may be pushed to restart the unit.

For example: If ice is removed from the bin immediately after the machine has filled up and shut off, the Bin Full light will be ON and the machine will not restart for 4 minutes.

3. If the bin controls sense a bin full signal before any water is used (float stem up), the machine will shut off on bin full

Adjustments

If there was a problem during Initial Start Up:

If an error light came on, check the following.

1. Water error.

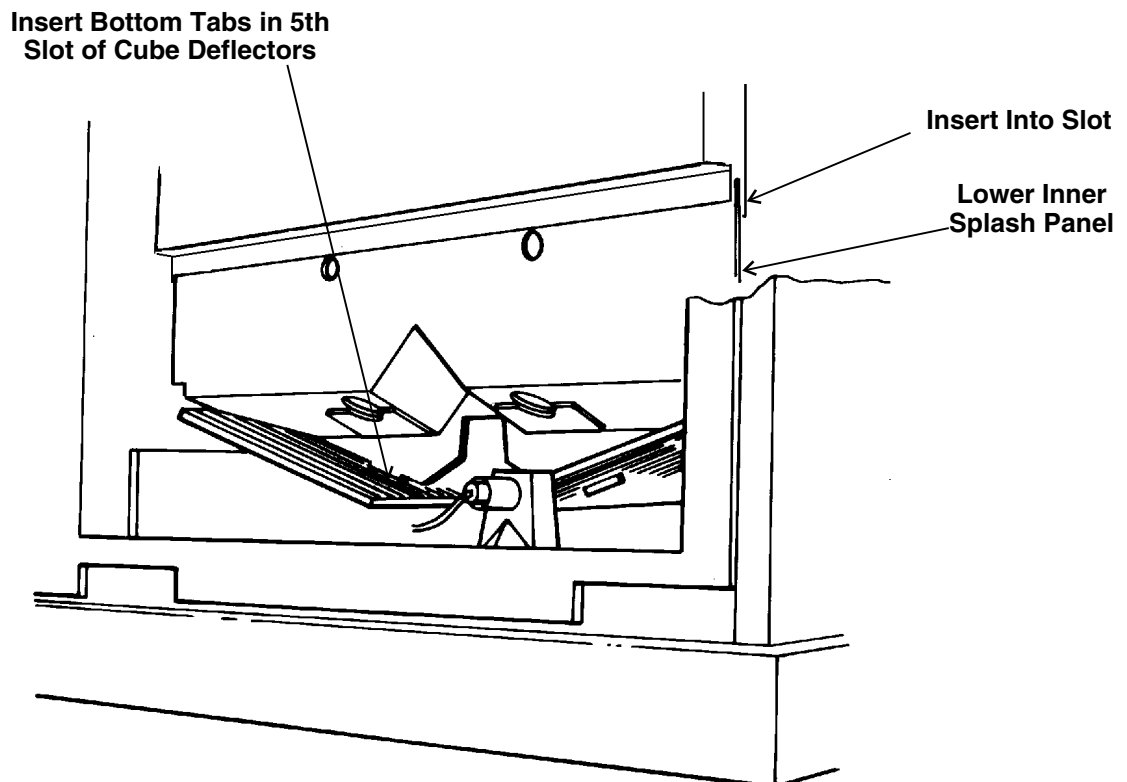
A water error could have been determined by the AutoIQ Controller if the inlet water valve does not fill the reservoir, or if the water pump does not start and lower the water level.

2. Refrigeration error.

A refrigeration error could have been determined by the AutoIQ Controller if the water temperature did **not** drop during the freeze cycle. The controller will next check the compressor discharge temperature, If the discharge temperature is too low, the refrigerant error light will be switched on, and the machine will Shut Down.

Note: Reset and restart the machine by pushing and releasing the Off push button switch, and then pushing and releasing the freeze push button switch.

Splash Panel Positioning: It is critical that the lower splash panel be properly positioned. If removed during installation or start up, check that it has been properly returned to its original position.



Lower Splash Panel Positioning

CME1356 and CME1656

Adjustments

How to adjust the water cooled discharge pressure

Water cooled models use a water regulating valve to control how much cooling water flows thru the water cooled condenser. At the top of that valve, located in the back of the ice machine, is an adjustment stem.

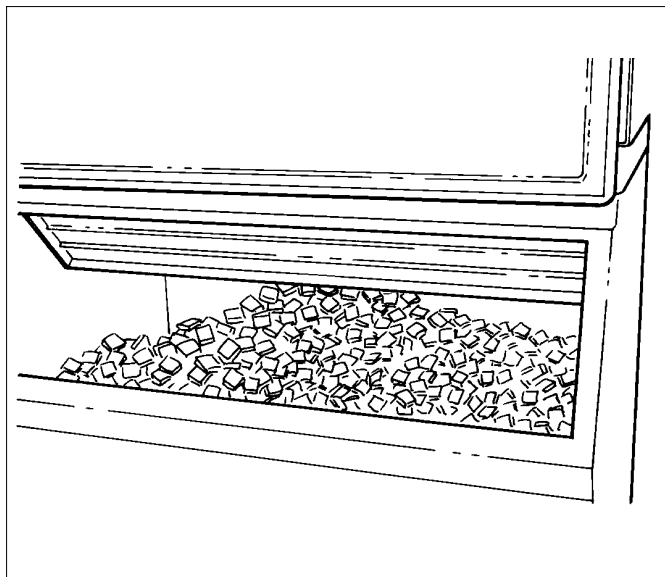
To Adjust:

1. Attach a refrigeration manifold gage to the discharge access valve.
2. While the unit is in the freeze cycle, determine the discharge pressure, it should be about 245 PSIG.
3. If needed, rotate the adjustment stem to increase or decrease the pressure:
 - A. To increase discharge pressure (reduce water flow) rotate the stem counter-clockwise.
 - B. To decrease the discharge pressure (increase water flow) rotate the stem clockwise.

Remove the manifold when done. Note: The water outlet temperature should be between 100-110 when the valve is properly set.

Thermostatic Expansion Valve:

The TXV is not adjustable, do not attempt to adjust it.



Typical Ice Level When Unit Shuts Off

How to Adjust the Amount of Water Purge

Adjustment is done by use of the control buttons on the AutoIQ Controller. Examine the next section to become familiar with the AutoIQ Controller before beginning.

1. If the machine is on, push and hold the OFF button for more than 3 seconds, then release it. This switches the machine Off.
2. Push and hold the OFF button for more than 3 seconds (just until all lights flash on) then release it. Do not hold it in it too long.
3. Examine the green lights. They should have all flashed once, then certain ones will have turned on to indicate which purge level the machine is set at. There are 5 levels of purge available:
 - 1. **Maximum Purge** is when All 5 lights are ON. Use for extreme water conditions. Note: This setting may extend the Harvest cycle and reduce capacity.
 - 2. **Heavy Purge** is when these 4 lights are ON: Freeze, Harvest, Clean, Off. Use for severe water conditions.
 - 3. **Standard Purge** (factory setting) is when these 3 lights are ON: Harvest, Clean, Off. Use for moderate to severe water conditions.
 - 4. **Moderate Purge** is when these 2 lights are ON: Clean, Off. This is for typical water conditions.
 - 5. **Minimum Purge** is when this light is ON: Off. For excellent water conditions.

Adjust by pushing and releasing the Freeze button. Pushing and releasing the Freeze button increases the purge one level up to the maximum, then it goes to the minimum.

4. The machine will automatically restart after 60 seconds of no switch inputs, or restart the machine by pushing in and holding the Off button for more than 3 seconds, then releasing it. The unit will then be Off. From there the machine may be placed in a freeze cycle by pushing and releasing the Freeze button.

How To Operate The AutoIQ Controller

The AutoIQ Controller is a microprocessor based device that receives input from several sources and switches various components on and off.

Its manual control is thru the use of the Push Button Control Switches

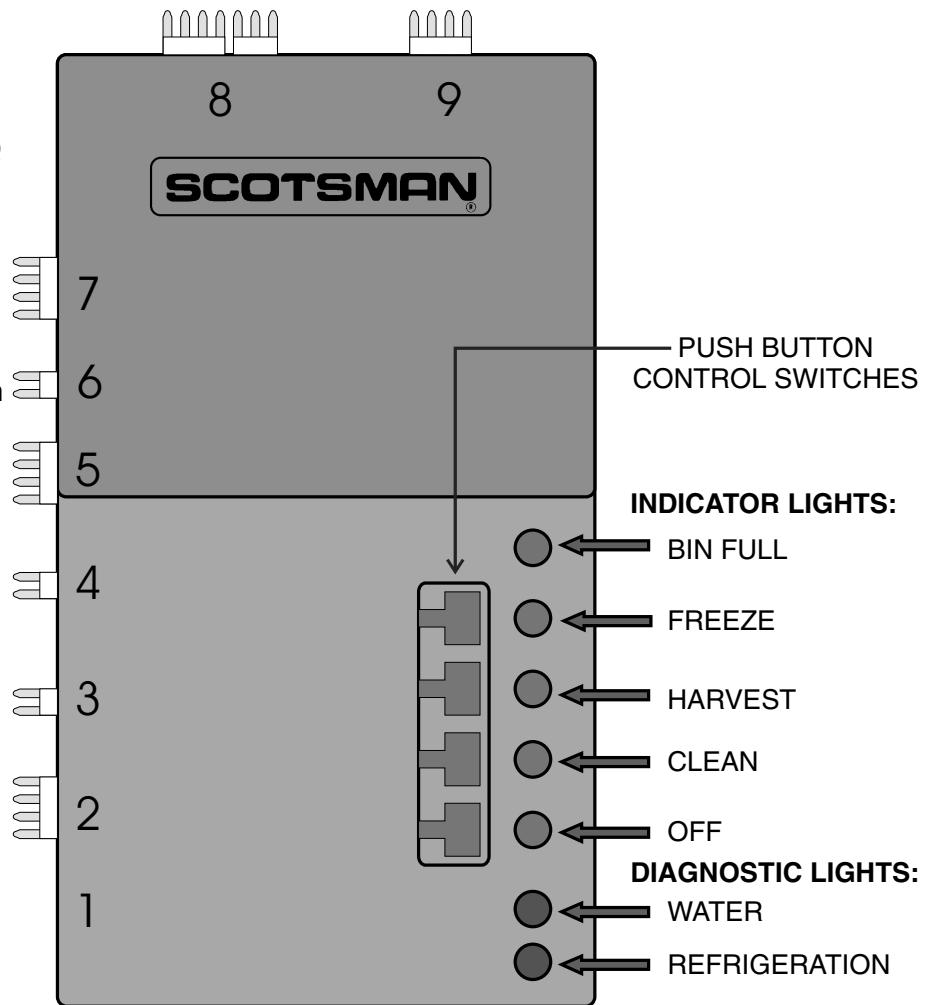
1. **Freeze Button.** Pushing and releasing this button starts or restarts the machine. The AutoIQ Controller remembers what cycle it was last in and returns to that cycle.

2. **Harvest Button:** Pushing and releasing this button will cause the machine to go directly to a Harvest Cycle. Can be done from Freeze or Off. The machine will switch Off at the end of the Harvest cycle.

3. **Clean Button:** Pushing and releasing this button will cause the machine to empty the reservoir, refill and leave only the water pump on for circulation of ice machine cleaner. After the ice machine cleaner has circulated for about 10 minutes a second push of this button will switch on the rinsing system to flush out the dissolved scale and ice machine cleaner.

4. **Off Button:** Pushing and releasing this button will switch the machine OFF at the end of the next cycle. If the button is pushed and HELD for more than 3 seconds, the unit will switch off immediately.

To Reset Machine (machine off, error light on): First push and release the Off button, then push and release the Freeze button.



CME1356 and CME1656

How The Electronic Cuber Works

Controller Inputs:

1. **Reservoir water temperature.** This is measured by a thermistor located in the water pump outlet.
2. **Discharge line temperature.** This is measured by a thermistor located on the compressor discharge line.
3. **Water level.** This is measured by an infrared sensor and float. The float rises and falls with the water level, and switches the sensor on and off as it moves.
4. **Bin fill level.** A thermostat signals to the controller if ice is needed or not, based on the temperature at the thermostat's sensing bulb.
5. **Time.** The controller measures and compares how long it takes for various events to happen. It stores that data for future reference.

Controller Outputs:

A. 24 volt:

- 1. Lights
- 2. Inlet water valve
- 3. Hot Gas Valve
- 4. Contactor Coil

B. High Voltage

- 1. Water Pump
- 2. Purge Valve
- 3. Air cooled Fan Motor

How The Electronic Cuber Works

This section is intended for the technician. It is not necessary for the normal operation and maintenance of the machine.

The AutoIQ Controller operates the ice machine by monitoring several input measures and switching various loads on and off.

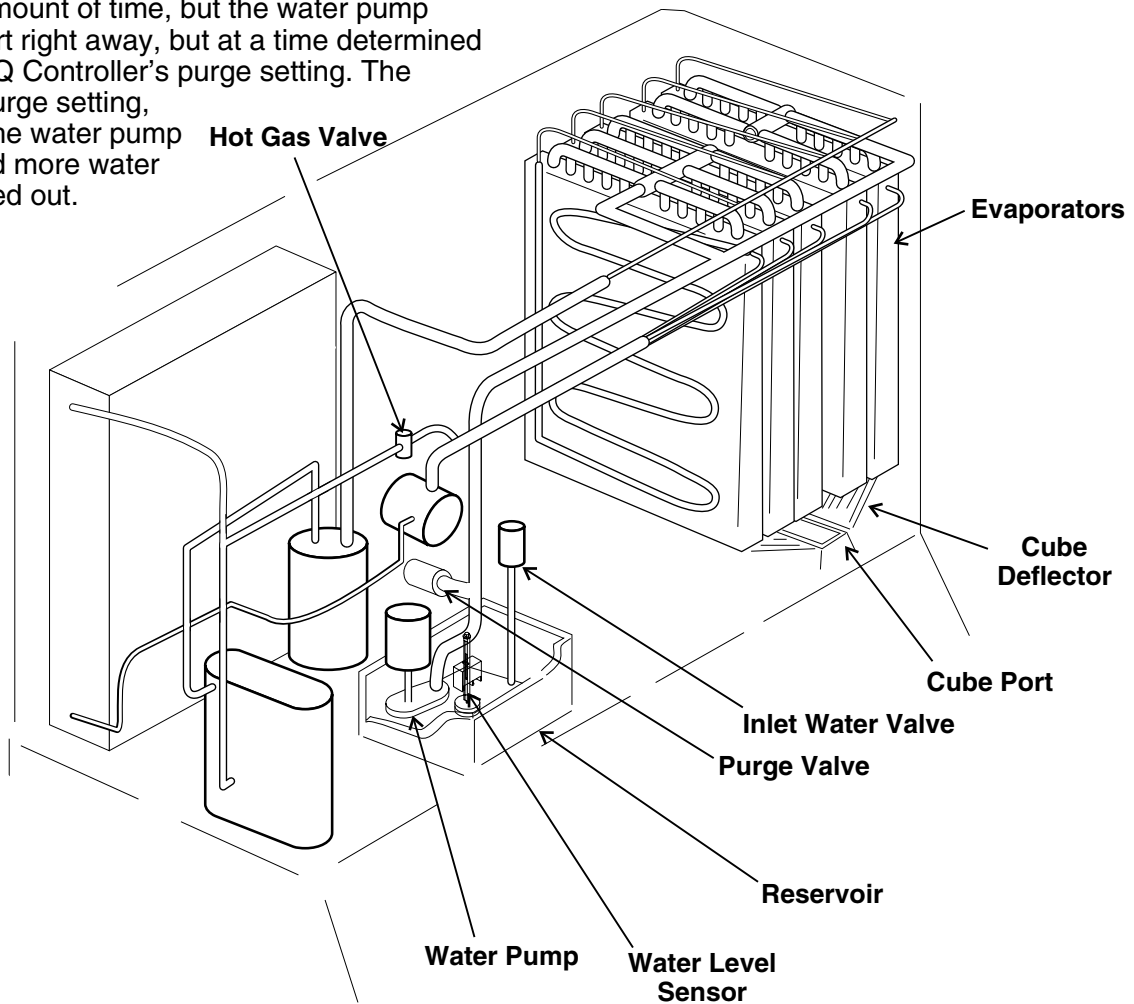
Water System:

Water flows into the ice machine during the harvest cycle through the inlet water valve. The water valve will NOT be open the complete length of the harvest cycle. The water pump forces water to the top of the evaporators, both in the Freeze and Harvest cycles. Un-frozen water falls through the cube deflector and back into the reservoir. As water is turned into ice, the water level in the reservoir falls, and at the point where the cubes are fully formed, the Water Level Sensor indicates to the AutoIQ Controller that it is time to begin the Harvest cycle.

During the Harvest cycle, water again enters the water reservoir, and a purge valve opens to drain the reservoir and dilute the concentration of accumulated minerals. The purge valve is opened for a fixed amount of time, but the water pump does not start right away, but at a time determined by the AutoIQ Controller's purge setting. The higher the purge setting, the sooner the water pump will start, and more water will be drained out.

Refrigeration System:

The refrigeration system is similar to that of most commercial cube ice machines. Heat is removed from the water and discharged out the condenser during the freeze cycle. As liquid refrigerant passes through the Thermostatic Expansion Valve, it enters the bottom of the evaporators, and will form on the bottom first. When cubes need to be released (Harvest) the Hot Gas Valve is opened and hot discharge gas flows directly from the compressor to the evaporator inlets. This warms up the evaporators and the surface of the ice frozen to the evaporator surface melts. Ice then falls into the bin.



CME1356 and CME1656

Technicians Only: Freeze Cycle Operational Sequence

Assuming the machine has been operational, the Freeze cycle begins with the end of the Harvest Cycle:

- Condenser fan is OFF
- Water Inlet Valve is CLOSED
- Water Pump may be ON
- Compressor is ON
- Hot Gas Valve is OPEN

AutoIQ Controller Operation, Beginning freeze:

1. Switches on the Freeze indicator light and shuts off the hot gas valve.

2. Opens the water valve to top off the reservoir. Water must fill the reservoir within 250 seconds or the controller shuts the machine down. It will automatically try to restart in 20 minutes.

3. Measures the discharge temperature.

4. Starts the fan motor (air cooled only). The Controller checks the discharge temperature and cycles the fan every on for 30 seconds and off for 20 seconds if the temperature is low.

If the discharge temperature exceeds the design maximum, shuts the machine down on a Refrigeration Error.

5. Checks for a "bin full" signal throughout the cycle.

6. Measures the reservoir water temperature. If the machine is operating correctly, the reservoir water temperature will fall at a standard rate. The AutoIQ Controller will be checking to see if the water temperature fall matches that rate.

If not, it re-checks the discharge line temperature. If too low, it Shuts Down on a Refrigeration Error. If the discharge temperature is acceptable, the water system is checked by shutting off the water pump and determining if the water level goes up enough. If it does not, it is assumed that there is a water pump problem and the machine Shuts Down on a Water Error.

If the water level does "measure up" the water pump is restarted and the AutoIQ Controller then measures how long it takes to lower the water level. If the water level does not fall, the machine Shuts Down on a Water Error.

7. Once per cycle the machine will shut off the water pump. It **only** does this when the water temperature reaches a preset minimum. The pump will only be off for a few seconds. After the pump

restarts, the inlet water valve opens to refill the reservoir.

8. As the machine makes ice, the water level in the reservoir will ultimately fall to the Harvest Level . The first time that happens during a freeze cycle prompts the controller to re-fill the reservoir. The next time it happens, the unit will begin to go into a harvest cycle.

Air cooled models will switch off the fan motor a few seconds before harvest begins.

Note: If the freeze cycle exceeds the preset Maximum (36 minutes), the AutoIQ Controller will Shut Down on a Refrigeration Error.

9. At the end of Freeze cycle:

- Water level = below harvest position
- Condenser fan will be off
- Water inlet valve will be off
- Water pump will be ON
- Compressor will be ON
- Hot gas valve will be off

At this point Harvest begins and the AutoIQ Controller switches the Harvest indicator light ON.

Restarts:

If restarting after shutting off because the bin was full, the first freeze cycle sequence is like this:

1. Purge valve is open.
2. Pump starts.
3. Purge valve closes.
4. Water valve opens to fill the reservoir.
5. Compressor starts.

Note: If there is a power interruption, after power is restored the machine will restart, go thru a brief Freeze cycle and then go thru a 6 minute Harvest cycle. The Freeze light will be blinking - even when the machine is in harvest.

Error Restarts:

The machine automatically attempts to restart 50 minutes after a shut down. If another problem occurs in the next cycle, the machine will attempt one more restart. If another problem occurs in the next cycle, the machine will be off and must be manually reset.

Technicians Only: Harvest Cycle Operational Sequence

Harvest

The (air cooled model) fan is off.

The purge valve opens, and will remain open for 74 seconds.

The water pump shuts off, it will restart in less than 74 seconds, depending upon the Purge Level set.

The water pump restarts and pumps out water thru the open purge valve until the valve closes.

The inlet water valve then opens for about 30 seconds to add some water.

During the Harvest Cycle, ice will be falling from the evaporators and between the ice sensor's electric eyes. The AutoIQ Controller monitors the ice falling and stays in the Harvest Cycle until ice quits going thru the electric eyes.

The maximum harvest time is 14 minutes. The first Harvest after a restart will be a long one to establish a base line, then the actual time it took to release the ice is used to determine the length of the next harvest cycle.

If no cubes fall (or are sensed) by the end of Maximum Harvest Time, the machine senses a refrigeration error. If the next cycle also produces a refrigeration error, the machine Shuts Down.

Note: The last harvest cycle before shutting off on bin full is 6 minutes long.

The machine will not restart for 4 minutes after switching off on Bin Full, unless the freeze button is pressed.

Note: If during a Bin Full shut down, the machine has not restarted for 12 hours, the compressor will run for 30 seconds to clear the oil of refrigerant.

Continuous Run Time:

A unit that operates 24 hours a day 7 days a week is too small for the user's needs. To maintain harvest integrity, the controller will extend the harvest time to 6 minutes minimum every 15th consecutive harvest cycle.

Bin Thermostat (for those units so equipped):

In normal ambients the thermostat will react to ice on the bulb in a few seconds. Reaction after removal will take about a minute under normal conditions, and longer in colder rooms.

Stacked Units:

If the bottom unit is in harvest and receives a signal from the top unit that it is also in Harvest, the bottom unit will stay in harvest for about 6 minutes.

If the bottom unit is shut off, but its controller still has power, the top unit may continue to operate. If the bottom unit's power is shut off, the top unit will shut down on bin full at the end of the next cycle. If the top unit's power is shut off, it does not impact the lower unit.

An error shut down on one unit does not affect the other. Either may be switched off at the controller.

Diagnostic Lights and Manual Resets

The controller will shut the machine off if a malfunction is sensed. The Controller will restart the machine 2 times, with a 50 minute interval between restarts. If a malfunction is still present after the second restart, the machine will then shut off and must be manually reset. During the restart interval, the machine will be off and a diagnostic code indicated.

The exception to this is lack of water. The machine will always try to re-fill the reservoir every 20 minutes.

Diagnostic Code Table

If a Diagnostic Light	Water Light	Refrigeration Light
Blinks once and repeats	Water pump did not start	Very long ice harvest
Blinks twice and repeats	Lack of water fill	No harvest of ice
Blinks three times and repeats	not used	High Discharge Temperature
Is ON all the time	Water valve leaking thru rapidly	Check for low discharge temperature or long freeze cycle
Both On all the time	Check for thermistor set unplugged or failed	

CME1356 and CME1656

Sanitation and Cleaning

It is the User's responsibility to keep the ice machine and ice storage bin in a sanitary condition. Without human intervention, sanitation will not be maintained. Ice machines also require occasional cleaning of their water systems with a specifically designed chemical. This chemical dissolves mineral build up that forms during the ice making process.

Sanitize the ice storage bin as frequently as local health codes require, and every time the ice machine is cleaned and sanitized.

The ice machine's water system should be cleaned and sanitized a minimum of twice per year.

In Place Cleaning of the Ice Machine Water System:

1. Remove all ice from the bin.
2. Remove the front panels.
3. Push and release the Harvest button (this releases any ice that may be on the evaporators and warms them up).
4. Wait for the machine to finish the Harvest cycle (the machine will stop).
5. Remove the the insulated plastic evaporator cover, the two inner splash panels (part number 02-3680-01 and the one above it), both cube deflectors, and the ice sensors. Place the splash panels and the cube deflectors in a separate container. Place the ice sensors in the reservoir, but be sure that the ends of the connecting wires are not in the water.
6. Push and release the Clean button. The Clean indicator light will be blinking, and the pump will restart.
7. Pour 24 ounces of Scotsman Ice Machine Cleaner into the reservoir water. Return the evaporator cover to its normal position.
8. Mix a solution of 8 ounces of Scotsman ice machine cleaner and 1 gallon of warm (95-115°F.) water. Use the solution to scrub the splash panels and cube deflectors in the separate container.

9. After the ice machine cleaner has circulated for 10 minutes, push and release the Clean button. This starts the rinsing process. The Clean indicator light will be ON. Note: The rinse process flushes any residual cleaner out of the ice machine's water system.

10. Continue the rinsing process for 20 minutes, then push the off button to switch the machine off.

11. Go to the next step to sanitize the machine or go to step 19 to finish the cleaning process.

12. Mix 2 gallons of Sanitizer solution. Follow local codes for Sanitizer.

Note: A possible sanitizing solution may be made by mixing 1 ounce of liquid household bleach with 2 gallons of warm (95-115°F.) potable water.

13. Push and release the Clean button again.

14. Pour 24 ounces of Sanitizer solution into the reservoir water.

15. After the solution has circulated for 10 minutes push and release the Clean button. This starts the rinse process. Sanitize the ice storage bin while waiting.

16. Continue the rinsing process for 20 minutes, then push the off button to switch the machine off.


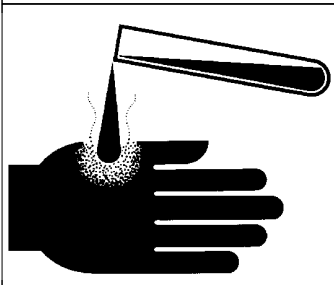
17. Remove the evaporator cover and spray or wash all interior surfaces of the freezing compartment including the evaporator cover with sanitizer solution.

18. Thoroughly immerse the splash panels and cube deflectors in the sanitizing solution.

19. Return the ice sensors, splash panels and cube deflectors to their original positions.

20. Return the evaporator cover to its original position. Push and release the Freeze button.

21. Return the front panels to their normal positions and secure them to the machine with the original screws.

	<p>Scotsman Ice Machine Cleaner contains acids. Acids may cause burns.</p>
	<p>If concentrated cleaner comes in contact with skin, flush with water.</p> <p>If swallowed, do NOT induce vomiting. Give large amounts of water or Milk. Call Physician immediately. Keep out of the reach of children.</p>

Additional Maintenance

To drain reservoir completely (if desired):

1. Remove front panel.
2. Push and hold the Off button.
3. Push and hold the Clean button for 3 seconds to activate the purge valve.
4. Push and release Freeze button.
5. Replace front panel.

To Sanitize the Ice Storage Bin

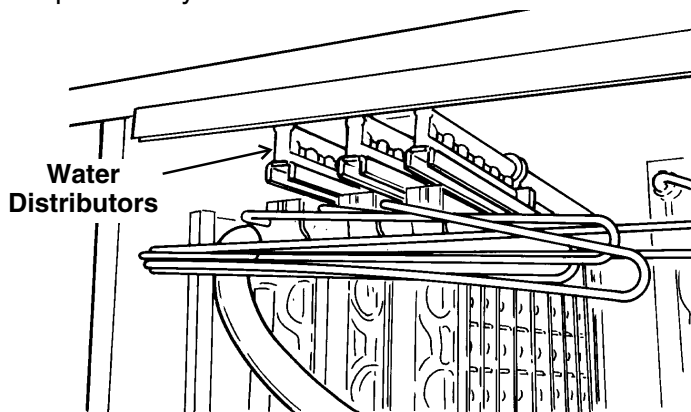
1. Remove all ice.
2. Remove baffle.
3. Switch ice machine OFF or wait for it to be in a cleaning cycle.
4. Mix a 1 gallon solution of warm (95-115°F.) water and sanitizer. Follow local codes for sanitizer.
5. Wash or spray the entire interior of the ice storage bin with the sanitizer solution. This includes the bottom of the ice machine and the inside of the door, the door gaskets (if any) and door frame.
6. Pour excess sanitizer into the bin to flush the drain system.
7. If the approved sanitizer requires a rinse, rinse all interior surfaces with potable water.

CME1356 and CME1656

Additional Maintenance: Water Distributors

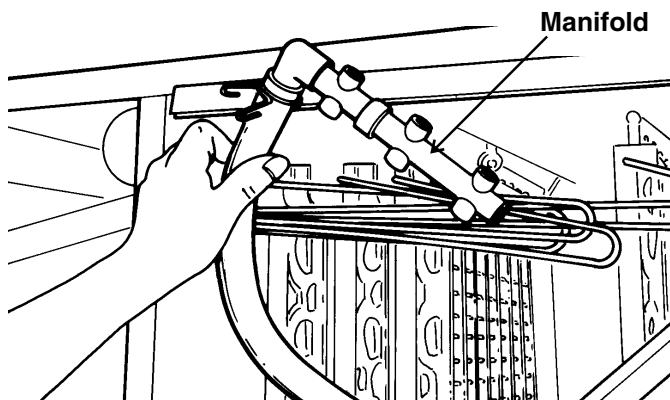
It may become necessary to remove the water distributors from the top of the evaporator and clean (de-mineralize) them outside of the ice machine.

1. Remove front panes.
2. Push and release the OFF button.
3. Remove the evaporator covers.
4. Pull the tab at the front of the evaporators forward and lift the front of the water distributors up until they clear the tab.



Remove Distributors as a Set

5. Repeat for all evaporators and distributors.
6. Pull the distributors forward as a set.



Pull Manifold Out

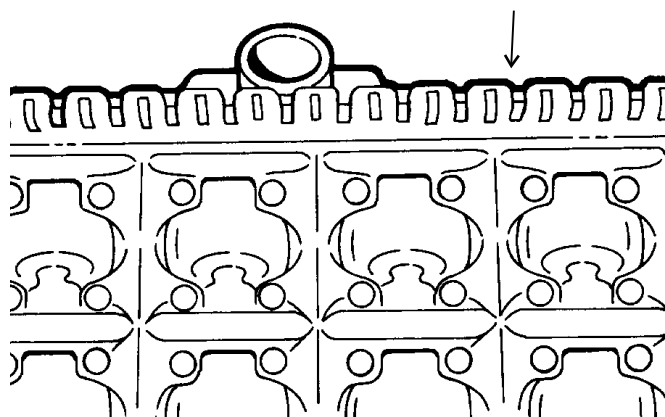
7. Remove the distributors from the manifolds.
8. Examine the top of the evaporators. The Water Distribution Channels must be free from mineral build up. If build up is evident, scrub the channels with Scotsman Ice Machine Cleaner and a plastic bristle brush.

9. Examine the water distributors. Although they are made of a material that is resistant to mineral build up, some may be present. Soak or scrub the distributors in or with a solution of Scotsman Ice Machine Cleaner and warm potable water.

10. Return the water distributors to their normal installed position.

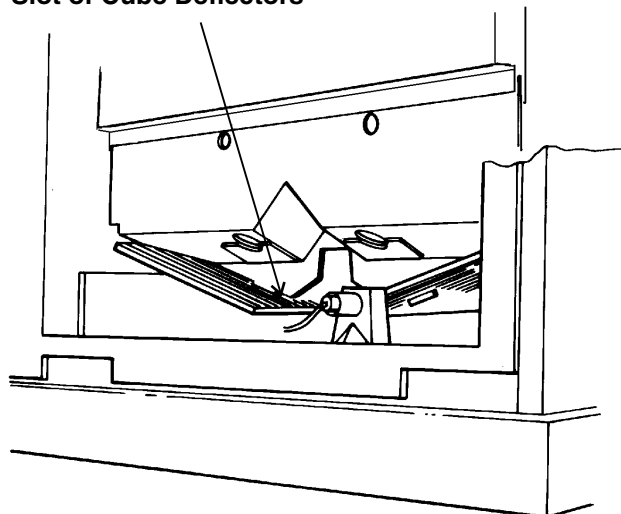
11. Return the two inner splash panels and the evaporator cover to their original positions.

Check That Water Channels Are Clear



12. Push and release the clean button to flush the water system.

Insert Bottom Tabs in 5th Slot of Cube Deflectors



13. After the machine stops, push and release the Freeze button.

14. Replace the front panel.

Additional Maintenance: Inlet Water Valve Screen

The inlet water valve has a screen on its inlet side to keep debris from flowing into the valve. In some cases, this screen may become clogged or restricted by debris build up. Check for the proper water flow:

Flow rate is 2.7 G.P.M.

1. Remove left front panel.
2. Obtain a measuring cup and a watch.
3. Pull the water discharge tube out of the reservoir and place it in the cup.
4. Push and release the Harvest button.
5. If working properly, the water valve will fill a 16 oz cup in about 3 seconds. Be prepared to push the Off button. If it does not, the water valve inlet or other water device is restricted.

To Check the Inlet Water Valve Screen.

1. Disconnect the electrical power.
2. Shut off the water supply.
3. Remove the left front panel.
4. Unplug the electrical connection of the inlet water valve.
5. Remove the screws holding the inlet water valve to the cabinet.
6. Remove outlet tube from inlet water valve.
7. Rotate inlet water valve from inlet fitting and remove valve from machine.
8. Examine the inlet screen, if dirty, brush off screen.

Note: Screen is not replaceable, and may only be removed by taking off the covering bracket. The bracket forms part of the inlet water system, and must be water tight to the valve body, removal is not recommended.

9. Reverse to reassemble.

Air Filter Replacement

1. Remove the left front panel.
2. Remove a screw holding one clip to the front panel.
3. Replace the air filter.

Note: Filter size is 20 x 20 x 1. Use a like replacement, equal to UL class 2, 377A.

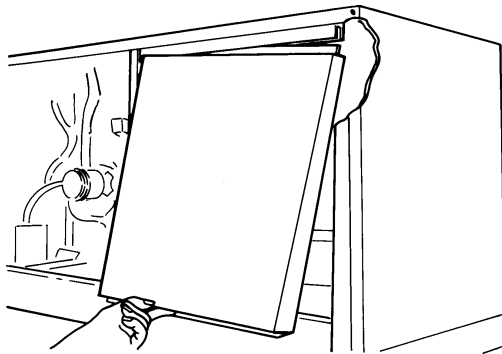
4. Return the front panel to its original position. Secure it to the cabinet.

CME1356 and CME1656

Additional Maintenance: Ice Sensors, Condenser

The ice sensors use a system of infrared emitting and receiving components to sense ice. They are located at the bottom of the ice outlet port. They must be free of mineral build up to function properly. To check:

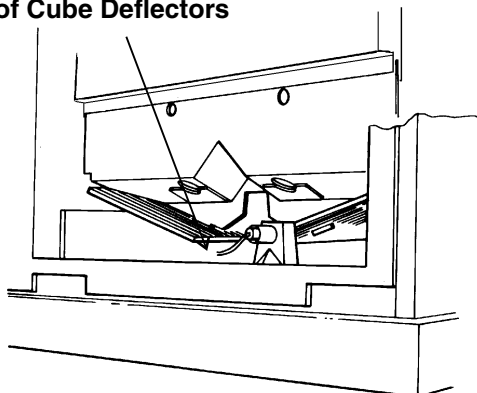
1. Remove front panels.
2. Push and release the off button.



3. Remove the evaporator cover.
4. Remove the lower splash panel.
5. Push the front sensor back and out of its holder.
6. Pull the back sensor forward and into the cube port.
7. Examine the bottom of the brackets, there are two sensors in each bracket, check that they are clear of mineral build up. They may be wiped clean with ice machine cleaner to assist in removal of the build up. Be sure to drain the reservoir or go thru a Clean cycle to remove residual cleaner.

Note: Do NOT use abrasive materials or cleaner on the bin sensor lenses. A soft toothbrush is an effective tool for cleaning these sensors.

Insert Bottom Tabs in 5th Slot of Cube Deflectors



8. Reverse to reassemble.

To Clean the Air Cooled Condenser

1. Remove the front panel.
2. Push and release the Off button.
3. Remove the top panel.
4. Remove the left side panel.
5. Clean or replace the air filter.
6. Check the fan blade and condenser for grease or dust build up.

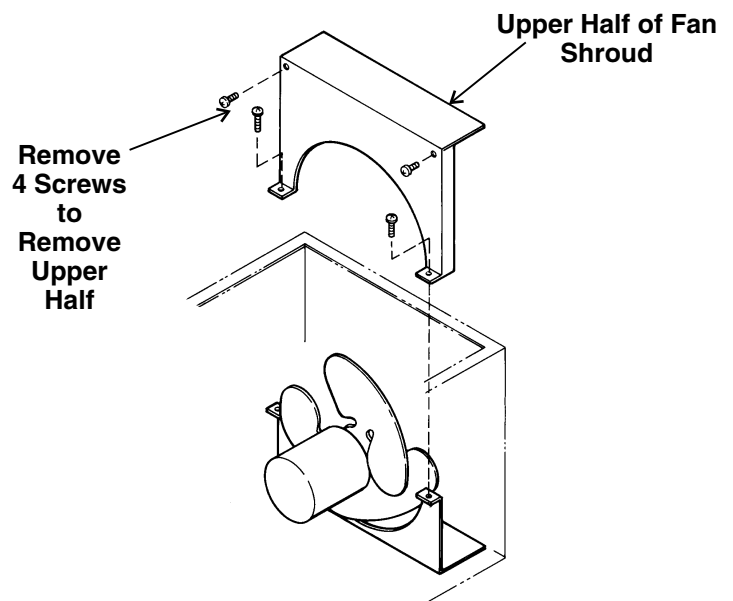
Because air flow is from the inside of the cabinet out, the inside of the condenser fins will have the most build up.

A. Place the inlet hose of a vacuum cleaner in the condenser shroud.

B. While the vacuum cleaner is on, blow compressed air from the back of the condenser thru the fins.

C. If grease is present, use coil cleaner on the condenser. Be sure to wipe up any excess coil cleaner.

7. Additional access can be gained by removing the top of the fan shroud.



8. After cleaning, return all panels except the right front to their original positions.

9. Push and release the Freeze button.

10. Replace the front panel.

Service Diagnosis: Controller Diagnostic Light Analysis

Problem or Symptom	Possible Cause	Probable Correction
Machine is off	Bin is full, ice in cube port	Use some ice
	Power is off, check lights.	If all lights are out, check power supply, restore power if off
	Bin thermostat is closed	Check thermostat for ice on the bulb. If none, check adjustment.
	Transformer is open	If all lights are out and there is power, check transformer output for 24 vac
	Unit has been switched off Off lite is glowing	Push and release Freeze button to restart unit.
	Compressor will not start	Not enough water or water not sensed.
	Unit has Shut Down	Check for Refrigeration or Water Error
Unit is off & Water diagnostic light is ON or BLINKING	Water inlet valve malfunction	Check water diagnostic light, if it blinks 2 times and repeats, check the water inlet valve for proper water flow.**
	Water pump malfunction	Check that pump hose is attached and if pump is plugged in and working.
	Water level not sensed or not high enough	Check harness from sensor.
Unit is off & Refrigeration diagnostic light is ON or BLINKING	Low discharge or long freeze cycle	If the Refrigeration light is glowing steadily, there is a probable refrigeration problem
	Harvest problem	If the Refrigeration light blinks once and repeats, look for a harvest problem.** This also indicates that cubes were "sensed" by the bin controls.
		If the lite blinks 2 times and repeats, check for a harvest error - no cubes sensed.
	High Discharge Temp	If the refrigeration diagnostic light blinks 3 times and then repeats, check for a reason for high discharge temperatures.
	Unit does not go into harvest - exceeds maximum freeze time	Push and release Off button. Push and release Freeze button. Check operation.
		Push cube size float down and check operation.
Exceeds maximum harvest time	Check for cause of long harvest cycle**	
Unit runs and both Diagnostic lites are ON	Temperature sensors out of range	Replace the temperature sensor set (water and discharge).
Same, but 1 light is on	Reservoir temp. wrong	Reset and check water temp and sensor.

* Machine may be reset by pushing and releasing the Off button, then pushing and releasing the Freeze button. ** See following pages

CME1356 and CME1656

Service Diagnosis

Problem or Symptom	Possible Cause	Probable Correction
Unit is off because of a "Harvest Problem"	Bin controls did not sense ice falling, unit stayed in harvest until the maximum harvest time ran out.	Check bin controls. The bin full light should be off. If it is on or blinking the bin controls may be dirty. Clean if dirty. The board and bin controls may also need to be checked. Push and release Off button. Push and release Freeze button. Check machine operation. Check if ice is made and harvests.
	Bin controls or AutoIQ Controller may have failed.	See "Unit does not shut off" below.
	Other components may have failed	Check the next page
Cubes are too large	Cube size control float is sticking.	Check/clean
	Inlet water valve leaks thru	Check water valve
Cubes are too small	Purge valve leaks thru	Check purge valve
	Not enough water	Check for leak in reservoir
Low ice capacity	Dirty condenser or filter	Replace filters, clean condenser
	Recirculation of air	Block air re-circulation or move condenser
	Low refrigerant charge	Check system. If there is a low charge, find the leak, recover the refrigerant, repair the leak, replace the dryer, evacuate and weigh in the nameplate charge.
	Too much water	Check for inlet water valve leak thru
Unit does not shut off or cannot sense ice falling	Ice sensor system may have failed.	Check ice sensors. Check bin full light, if off, place something between the electric eyes. The bin full light should begin to blink (after 20 seconds of continuous blockage it will glow steadily). If not, check operation of electric eyes by unplugging #4 and jumping out the two pins on the controller (first discharge any static electricity by touching the cabinet with the tool). If the bin full light blinks, replace the bin controls. If it does not blink, replace the controller. Note: Leaving #4 unplugged and jumped for 20 seconds will shut the machine down on a bin full (at the end of the harvest cycle). It will restart after 4 minutes or may be reset by pushing the Freeze button.

Service Diagnosis: Components

Problem or Symptom	Possible Cause	Probable Correction
Fan motor does not turn. Refrigeration light may be on steadily or blinks 3 times and repeats.	Open motor windings, or seized bearings	Replace fan motor
	No power to fan motor	Fan motor unplugged, check for voltage from controller. If none, replace controller.
Pump motor does not turn	Open motor windings, or seized bearings	Replace pump
	No power to pump	Check electrical connections. If the unit is in Freeze the pump should have power to it. If not, replace the AutoIQ Controller.
Hot Gas Valve does not open.	Open solenoid coil.	Replace hot gas valve
	Stuck valve	Replace hot gas valve
	No power to coil in Harvest	Check wire connections, if ok, replace AutoIQ Controller
Hot Gas Valve leaks thru (warm tube temperatures on both sides of valve during freeze)	Mechanical problem in valve	Replace valve
Water Inlet Valve does not open	Open solenoid coil	Replace valve
	Stuck valve	Replace valve
	No power to valve (early part of harvest)	Check wire connections, if ok, replace AutoIQ Controller
Water Inlet Valve does not flow enough water	Restriction in water supply	Check water filters and/or inlet screen.
Water Inlet Valve leaks thru	Mechanical problem in valve	Replace valve
Compressor does not work	Unit in Clean cycle	Push and release Freeze button.
	Contacting coil open	Replace contactor
	Open starting components	Check and replace
	Open windings	Check and replace compressor
	Internal valve failure	Replace compressor
	Water level too low or not sensed	Unit must be full of water before controller will start compressor. Check water level and sensor and harness.

CME1356 and CME1656

PTCR

The “D” series cubers use a PTCR (Positive Temperature Coefficient Resistor) in place of a conventional start relay and start capacitor.

Power from the contactor connects to the PTCR and to the Run Capacitor

A wire connects the other terminal of the PTCR to the compressor’s start winding.

Another wire connects the run capacitor to the start winding.

A parallel circuit connects power from the contactor to the Run winding of the compressor.

A PTCR changes resistance sharply when its temperature changes. When the PTCR is cold, it connects full current to the compressor’s start winding. After a very short time, the PTCR heats up and shuts off the current flow. Under normal conditions, the PTCR’s case is at about 180oF.

At that temperature the PTCR has very high resistance and will not allow current to flow. It must cool down to about 120oF. Before current will pas through it again.

Diagnosis:

1. Disconnect electrical power.
2. Check if the PTCR is cool enough to handle safely. If not, wait 5 minutes for it to cool off.
3. Disconnect both leads to the PTCR and measure its resistance with an ohmmeter. If the PTCR reads less than 21 ohms or more than 39 ohms, replace

Operational Characteristics: CME1356

Cycle Times (minutes):

Air Cooled	70°F. indoor air, 50°F. water	90°F. indoor air, 70°F. water
Freeze	12 - 13	17 - 19
Harvest	2 ½ - 3	2

Water Cooled	70°F. indoor air, 50°F. water	90°F. indoor air, 70°F. water
Freeze	13 - 14	15 - 16
Harvest	2 ½ - 3	2 ½ - 3

System Pressures (PSIG):

Air Cooled	70°F. indoor air, 50°F. water	90°F. indoor air, 70°F. water
Suction: End of Freeze	27 - 29	31 - 33
Suction: Peak in Harvest	82 - 84	92 - 94
Discharge: 5 minutes into Freeze	215 - 225	285 - 295
Discharge: Minimum in Harvest	165 - 175	165 - 175

Water Cooled	70°F. indoor air, 50°F. water	90°F. indoor air, 70°F. water
Suction: End of Freeze	28 - 30	29 - 31
Suction: Peak in Harvest	81 - 83	93 - 95
Discharge:	245	245

Refrigerant Charge, R-404A

- Air cooled: 64 ounces
- Water cooled: 62 ounces (A thru E series)
- Water cooled: 58 ounces (F series)

Typical Air Cooled Machine Amps

Single Phase

- 5 minutes into Freeze: 17
- Harvest: 13

Three phase

- 5 minutes into Freeze 9.5
- Harvest 8.5

Typical Harvest Ice Weight

- 16 lb

Superheat (near the end of freeze)

- The TXV will control a nominal superheat point that can vary unit to unit from 11°F. to 17°F. While controlling that point the superheat can also range + or - 4°F. without affecting performance.

Water Cooled:

- Discharge Pressure: 245 PSIG
- Hi Pressure Cuts Out at: 450 PSIG

CME1356 and CME1656

Operational Characteristics: CME1656

Cycle Times (minutes):

Air Cooled	70°F. indoor air, 50°F. water	90°F. indoor air, 70°F. water
Freeze	15 - 17	18 - 20
Harvest	3	2 ½

Water Cooled	70°F. indoor air, 50°F. water	90°F. indoor air, 70°F. water
Freeze	14 - 16	16 - 17
Harvest	2 ½	2 ½

System Pressures (PSIG):

Air Cooled	70°F. indoor air, 50°F. water	90°F. indoor air, 70°F. water
Suction: End of Freeze	21 - 23	34 - 36
Suction: Peak in Harvest	88 - 92	101 - 105
Discharge: 5 minutes into Freeze	210 - 220	285 - 295
Discharge: Minimum in Harvest	115 - 125	165 - 175

Water Cooled	70°F. indoor air, 50°F. water	90°F. indoor air, 70°F. water
Suction: End of Freeze	31 - 34	31 - 34
Suction: Peak in Harvest	75 - 85	80 - 90
Discharge:	245	245

Refrigerant Charge, R-404A

- Air cooled: 64 ounces
- Water cooled: 62 ounces (A thru E series)
- Water cooled: 58 ounces (F series)

Typical Air Cooled Machine Amps

Single Phase

- 5 minutes into freeze: 17
- Harvest: 15.5

Three Phase

- 5 minutes into freeze: 11
- Harvest: 9

Typical Harvest Ice Weight

- 19.2 lb

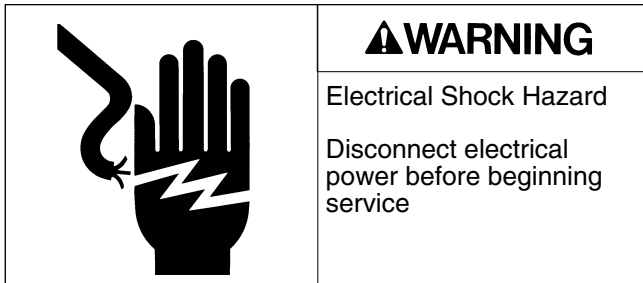
Superheat (near the end of freeze)

- The TXV will control a nominal superheat point that can vary unit to unit from 11°F. to 17°F. While controlling that point the superheat can also range + or - 4°F. without affecting performance.

Water Cooled:

- Discharge Pressure: 245 PSIG
- Hi Pressure Cuts Out at: 450 PSIG

Removal and Replacement

Water Pump

Disconnect the electrical power.


2. Remove the left front panel.
3. Check that controller lights are out.
4. Unplug water pump from its electrical connection.
5. Remove 1 plastic bolt and the reservoir cover.
6. Lift water pump up and disconnect outlet tube.
7. Pull float ball from float stem (it is a snap fit). Pull stem out.
8. Locate water level sensor mounting tabs, compress together to release sensor from bracket.
9. Remove water pump brackets from pump.
10. Reverse to replace.
11. Replace front panel.
12. Re-connect electrical power.

Inlet Water Valve

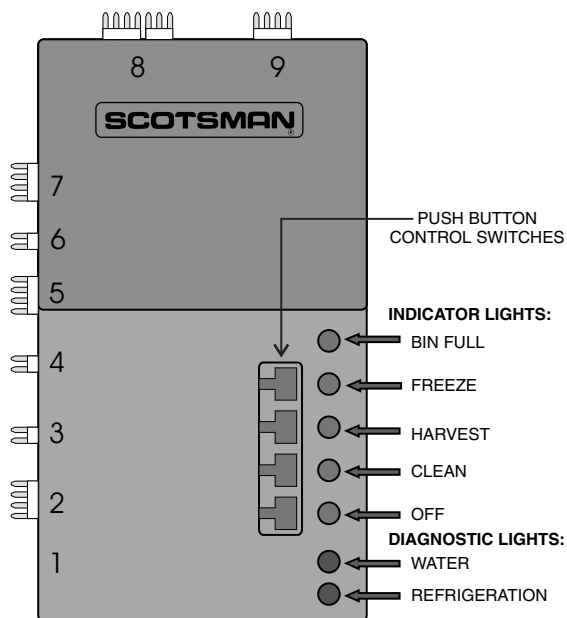
1. Remove the left front panel.
2. Shut off the water supply.
3. Push and release the OFF button.
4. Pull the wire harness off the inlet water valve.
5. Remove screws holding the inlet water valve to the cabinet.
6. Pull the valve away from the cabinet and disconnect the outlet tube.
7. Unscrew the water valve from the water inlet tubing.
8. Reverse to reassemble.
9. Push and release the Freeze button
10. Return the left front panel to its original position and secure it to the cabinet.

CME1356 and CME1656

Removal and Replacement: AutoIQ Controller

	⚠ WARNING
	<p>Electrical Shock Hazard</p> <p>Disconnect electrical power before beginning service</p>

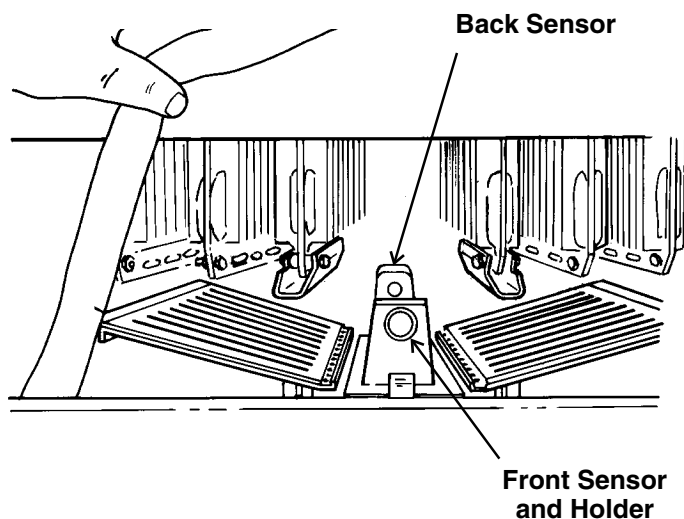
1. Disconnect the electrical power.
 2. Remove the front panel.
 3. Remove mounting screw holding controller to cabinet.
 4. Touch a metal surface to discharge any static electricity.
 5. Pull controller out slightly and unplug all electrical connections.
- Note: Do NOT touch the back of the controller.
6. Carefully remove the new controller from its packaging. Again, do NOT touch the back of the controller.
 7. Plug all electrical connectors into the new controller.
 8. Re-attach the controller to the cabinet.
 9. Switch on the electrical power. All lights should lite up.
 10. Push and release the Freeze button.
 11. Replace the front panel.



Electric Eyes (Harvest Control Sensors)

These must be replaced as a set.

1. Remove front panels.
2. Push and release the Off button.
3. Remove evaporator cover.
4. Remove both splash covers.
5. Reach into cube port area and pull the back sensor forward until the harness connector is available, then unplug it and remove the sensor from the cabinet.



6. Push front sensor back into the cube port. When it is free of the sensor holder, twist it 90 degrees and pull it up and out of the cube port.
7. Trace wire back to the controller and unplug.
8. Reverse all steps to reassemble.

Removal and Replacement: Water Level Sensor

1. Remove front panel.
2. Push and hold the OFF button. Release it when the machine stops.
3. Trace wire harness from water level sensor to the AutoIQ Controller (#2). Unplug the harness from the controller.
4. Lift the pump and mounting plate up enough to remove the float from the stem.
5. Remove two screws holding the sensor to the pump bracket and lift the sensor up and out of the machine.
6. Reverse to reassemble.

Float Stem

1. Remove the left front panel.
2. Remove the reservoir cover.
3. Pull up on float stem, reach under pump cover and pull the float off the stem.
4. Pull stem out and reverse to replace.

Note: Replacement float stem depths are factory set, but confirm them before installing the new stem:

CME1356 uses a **tan** float stem

CME1656 uses a **brown** float stem

Observe machine for proper cube size after replacement of the float stem.

Water Temperature Sensor

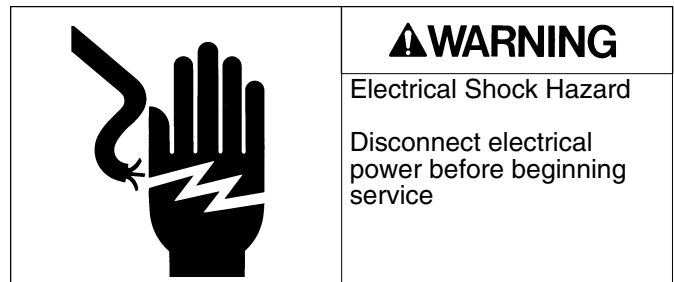
Note: This sensor is replaced as a set with the Discharge Temperature Sensor.

1. Remove left front panel.
2. Push and release Off button.
3. Remove 1 plastic bolt and the reservoir cover.
4. Locate water temperature sensor (inserted into pump discharge hose).
5. Pull out to remove.
6. Trace back to AutoIQ Controller, unplug from #5.
7. Remove the Discharge Line temperature sensor (see the next page).
8. Reverse to reassemble.

Purge Valve Timer

The purge valve timer is sensitive to electrostatic discharge. Be certain to touch a grounded surface before touching this component. Do the same when handling the replacement part.

1. Touch a grounded surface.
2. Remove left front panel.
3. Disconnect electrical power.



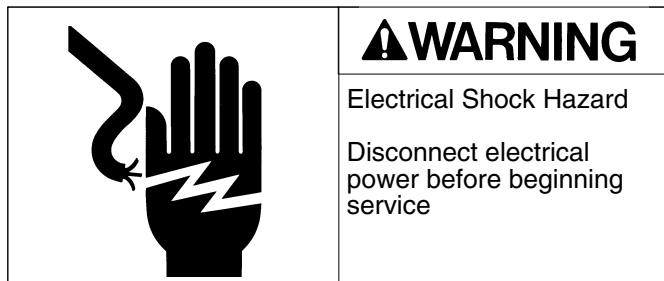
4. Remove high voltage box cover.
5. Locate timer board at the back of the high voltage box.
6. Unplug all the wires to the board.
7. Compress each of the four stand-off posts to release the board from the stand-offs.
8. Remove the board from the unit.

Reverse to reassemble.

CME1356 and CME1656

Removal and Replacement: Fan Blade and/or Fan Motor

1. Disconnect electrical power.



2. Remove left front and top panels.

If stacked, removal is possible thru the front only. Shut off the water and disconnect the inlet water line from the solenoid valve. Move it up and out of the way. Also remove the water pump to get better access to the fan motor. Skip steps 3 and 4.

3. Remove the 4 screws holding the top part of the fan shroud to the bottom fan shroud.

4. Tip the top of the fan shroud forward and pull it up and out of the cabinet.

5. Note location of fan blade on shaft and loosen fan blade set screw.

6. Remove the four bolts holding the fan motor to the bracket.

7. Tip fan motor and blade up, move fan blade as needed to clear internal parts.

8. Replace the blade or motor as needed.

Note: The fan is properly on the motor shaft when the hub faces the motor and the shaft end is 1/2 " from the fan blade.

Transformer and Compressor Starting Components

Single phase compressors use a start relay, start capacitor and run capacitor. All are located in a sheet metal box to the right of the AutoIQ Controller. The compressor contactor is also located in that box.

1. Disconnect electrical power.
2. Remove left front panel.
3. Remove 2 screws at the front edge of the metal box, and pull the cover forward and out.
4. To check components, reconnect electrical power.

Note: The contactor coil is 24 volt.

Note: If the transformer is not supplying power, check the AutoIQ Controller for blacking at the top connections. If the connections appear to have blacked, replace the AutoIQ Controller before the transformer is replaced.

Discharge Line Temperature Sensor

1. Remove left front panel, push and release the Off button.

2. Remove top and left side panels.

3. Locate discharge line sensor. It is attached to the discharge line of the compressor, 6" from the compressor discharge port.

4. Unwrap the insulation and un-snap the clip holding the sensor to the discharge line.

5. Trace the sensor wires back to the controller, they are plugged into #5 with the water temperature sensor, and must be replaced with it.

6. Reverse to replace, be sure that the discharge line sensor is 6" up from the compressor discharge port. Be sure to re-wrap the insulation.

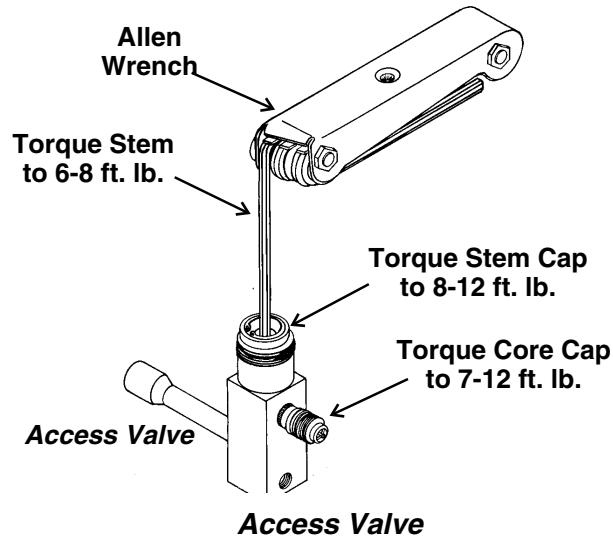
Note: Route wires so they do NOT contact the discharge line.

The sensor for the Discharge line is marked with a small piece of yellow tape. Do not reverse the sensors.

Access Valves

To use the access valves:

1. Be sure that the valve is closed. Remove the stem cap and insert a 3/16" allen wrench. Check that the valve is closed.



2. Remove the port cap and attach refrigerant manifold hoses.

3. Open the valve and purge the hoses.

4. When service is complete, shut the discharge access valve first. Then, with the machine running and the middle hose outlet securely fastened to the manifold or refrigerant tank (closed) open both manifold valves. This allows any liquid refrigerant in the discharge hose to flow thru the manifold and into the suction side.

5. After the gages have equalized, shut the manifold valves and the suction access valve.

6. Remove the gages and replace the stem and port caps. Make certain that they are tightly closed.

Refrigeration System Components

Due to the expected level of training and experience of a refrigeration mechanic, detailed instructions regarding the replacement of refrigeration components will not be presented. However, critical items will be noted here.

Refrigerant:

1. This ice machine uses R-404A or HP62 as a refrigerant. It has several unique characteristics.

A. It is a near-azeotrope, and must be liquid charged.

B. It must use polyol ester refrigerant oil, and that oil is very water absorbent. The system must not be open for more than 15 minutes.

C. An electronic leak detector capable of locating HFC-134a type refrigerant must be used to locate refrigerant leaks.

D. A special HFC type liquid line dryer must be used.

E. When brazing, use a low pressure nitrogen purge.

F. When evacuating, use of an electronic micron gage is recommend. Evacuate to 300 microns.

CME1356 and CME1656

Liquid Charging

Because R-404A is a near-azeotrope, only liquid refrigerant can be used to recharge the refrigeration system. To do that may take some special techniques:

1. Use an electronic scale to measure the charge.
2. Place a drum or cylinder of R-404A on the scale, liquid out side up (check container).
3. A refrigeration manifold should be attached to the service access valves. Attach the charging hose to the cylinder of R-404A. Open the cylinder's valve and purge the hose to the manifold.
4. Close the low side service access valve.
5. Open the discharge side manifold valve and weigh in the name plate charge. After the charge is weighed in, wait a few minutes and re-check the scale.
6. If all of the refrigerant charge has not been weighed into the discharge side, it must be carefully added thru the low side. Close the discharge service access valve.
7. With a sight glass or charge faster in the hose to the low side port, start the ice machine.
8. Open the low side service access valve.
9. Crack open the low side manifold valve and watch the scale and sight glass. Open and close the low side manifold valve to flow liquid into the manifold but flash off to vapor before it enters the suction side of the refrigeration system. This should only be a few ounces at most.
10. After the scale = the correct charge, shut off the valve on the refrigerant cylinder.
11. With the ice machine running and the discharge access valve closed, open both manifold valves to allow the refrigerant in the hoses to enter the system.
12. Shut the suction service access valve.
13. Remove the refrigeration manifold gages.
14. Replace and tighten all caps.

Evaporators

In the unlikely event that an evaporator may need to be replaced, do NOT braze the evaporator joints when the evaporators are seated in the freezing compartment, instead lift them up slightly so that the joints to be brazed are above the top edge of the freezing compartment.

Before Calling for Service

Check the following:

1. Has the water supply to the ice machine or building been shut off? If yes, the ice machine will automatically restart within 25 minutes after water begins to flow to it.
2. Has power been shut off to the ice machine? If yes, the ice machine will automatically restart when power is restored.
3. Has someone shut the water off to a water cooled unit?. If yes, the ice machine may need to be manually reset.
4. Does the bin control have ice on it? If so, remove the ice and the machine should start in a few minutes.

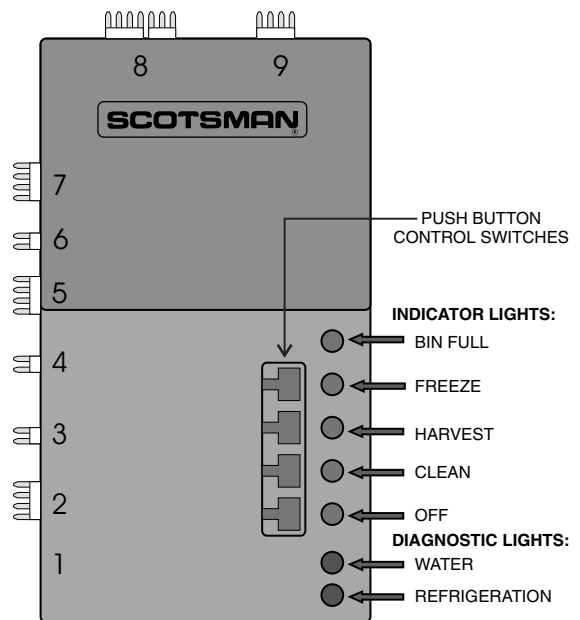
To Manually Reset the machine.

1. Remove the left front panel.
2. Locate the AutoIQ Controller. If a red diagnostic light is glowing, note which one and its blink rate. Then push and release the off button.
3. Push and release the Freeze button.
4. The machine should begin to operate. If there is a lack of water it will soon shut off again.
5. Return the front panel to its normal position.

If the machine shuts down again, call for service.

To Shut the Machine Off:

1. Remove the left front panel.
2. Locate the AutoIQ Controller.
3. Push and hold the Off button for 3 seconds or until the machine stops.



AutoIQ Controller

SERVICE BULLETIN

Subject: New Ice Sensors in CME1356, CME1656 and CME2006. New Ice Sensors, new Water Level Sensors and new Controllers in CME306 and CME456.

Ice Sensors: Scotsman has begun production of ice machines equipped with a new style of ice sensor. The new sensor is interchangeable with the prior sensors, which are still in use on other Scotsman modular cubers.

Controllers: Scotsman has also added the new blue controller (see PS-3-2002) to models CME306 and CME456.

Water Level Sensor: A new water level sensor is also being used on CME306 and CME456.

Service parts for the ice sensors and water level sensor have not changed.

Ice machines built prior to this change are not affected.

The new sensors' use will be phased in by model throughout 2002.

Additional information is on the back of this bulletin.

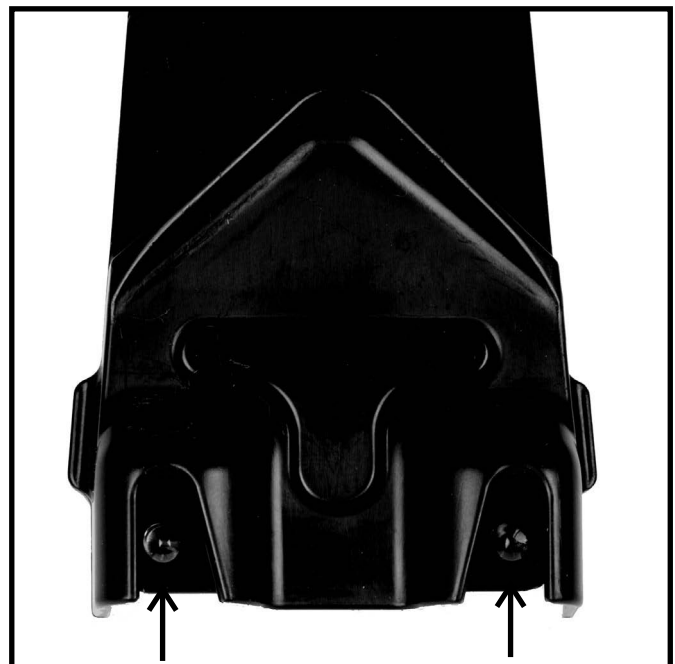


Photo-Eyes in New Ice Sensor

Sensor Holder



Push to Release Photo-Eye Module

The new ice sensor's have a photo-eye module that can be separated from the holder.

Once separated, the lenses of the photo-eyes can easily be cleaned with a soft cloth or cotton swab. Ice machine cleaner may be used if needed.

Like the other style of sensor, the photo-eye part can be placed in the reservoir when the ice machine is being cleaned with ice machine cleaner.

When re-assembling, be sure that the wire is not sticking out past the edges of the sensor holder.



Photo-Eye Module Separated from Holder



Route Wire Under Clip, Push Module Into Place