

# Eclipse 2000 Service Parts

This part list contains the service parts for the Eclipse 2000 systems.

The models that are covered include:

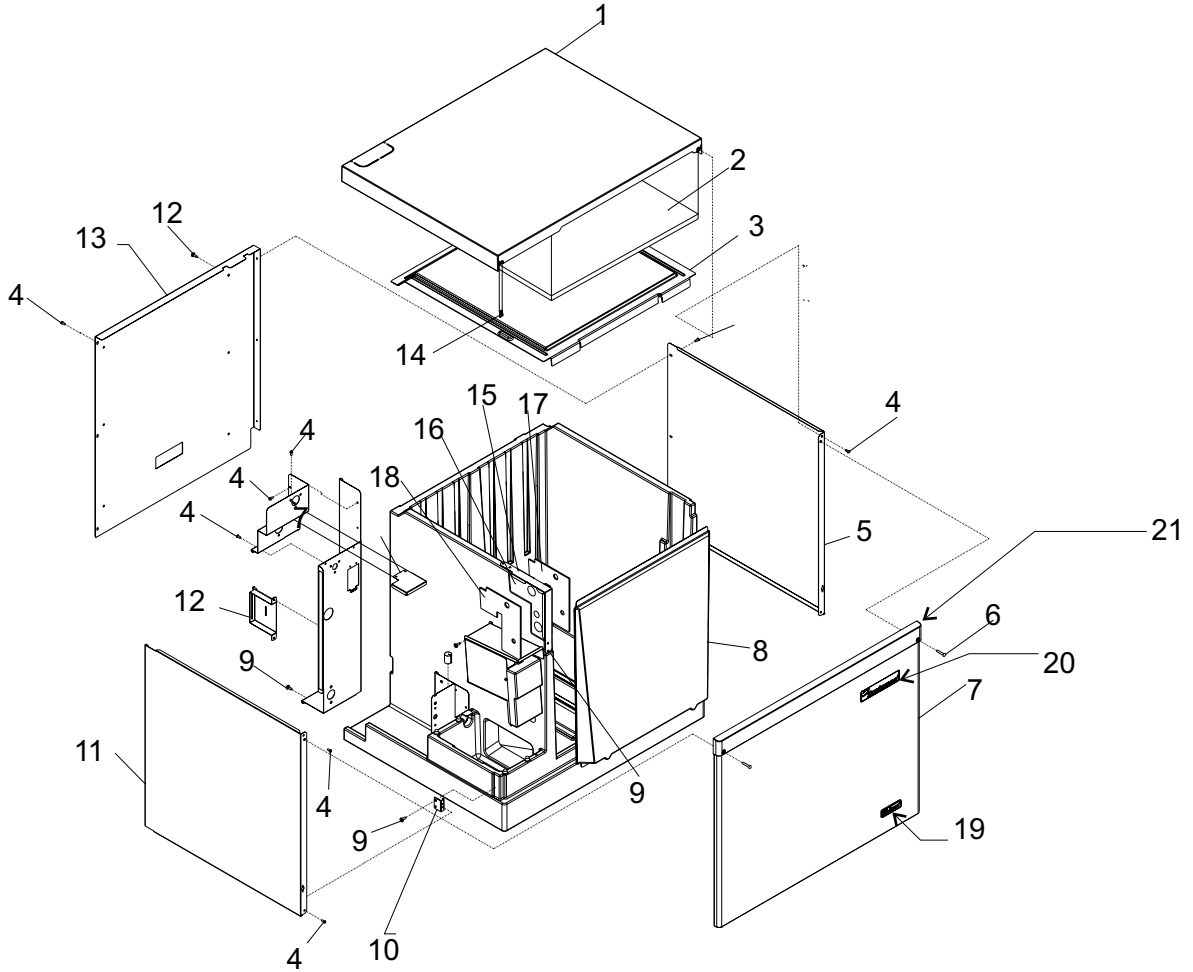
- CME2086
- CP2086
- ERC2086

## Table of Contents

CME2086 Cabinet . . . . .	Page 2
CME2086 Interior Parts . . . . .	Page 3
CME2086 Refrigeration System . . . . .	Page 4
CME2086 Electrical . . . . .	Page 5
CP2086 Cabinet . . . . .	Page 6
CP2086 Refrigeration Systems . . . . .	Page 7
CP2086 Control Box . . . . .	Page 8
Remote Condensers . . . . .	Page 9
CME2086 Schematic Diagram . . . . .	Page 10
CME2086 Wiring Diagram . . . . .	Page 11
CP2086 Single Phase Schematic Diagram . . . . .	Page 12
CP2086 Single Phase Wiring Diagram . . . . .	Page 13
CP2086 Three Phase Wiring Diagram . . . . .	Page 14
CP2086 Three Phase Schematic Diagram . . . . .	Page 15

# Eclipse 2000 Service Parts

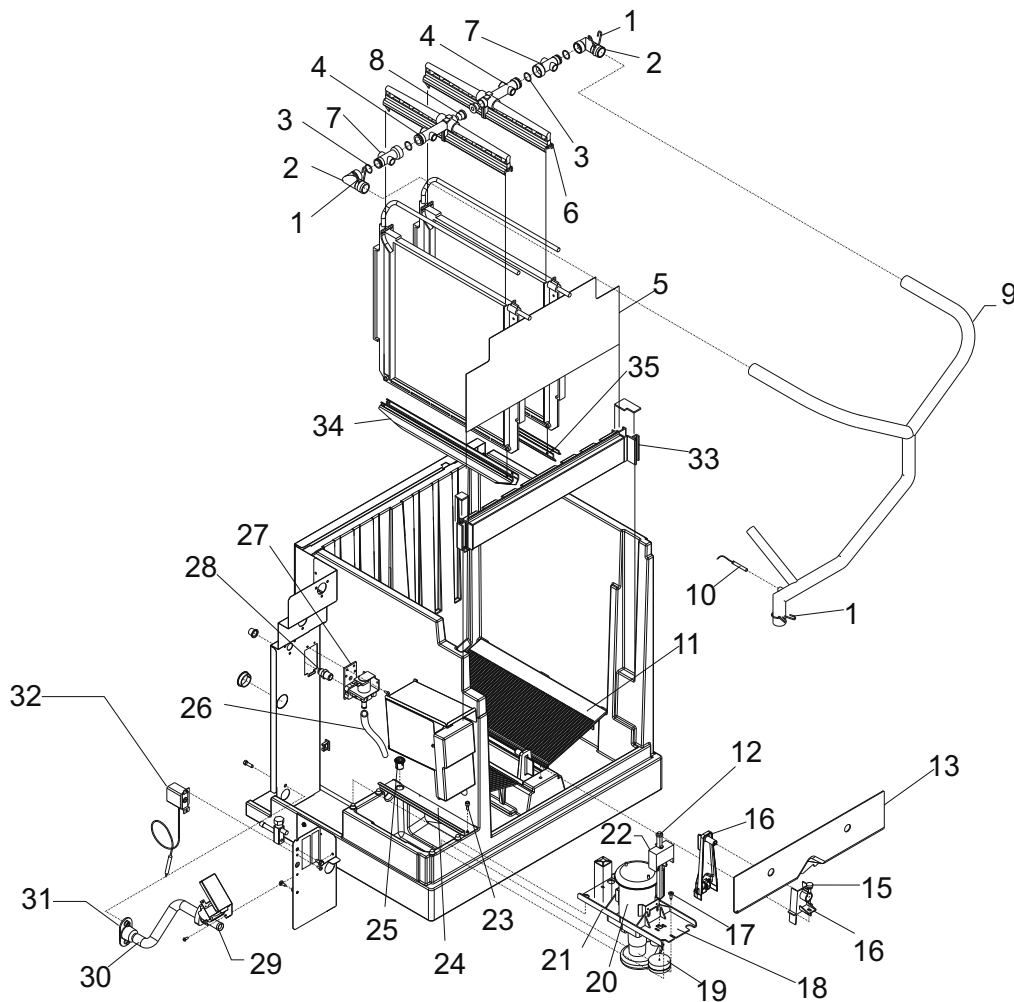
## CME2086 Cabinet



Item Number	Part Number	Description	Item Number	Part Number	Description
1	02-4001-21	Top panel	14	03-1423-06	Speed nut
2	02-3783-01	Insulation	15	A37218-001	Tube cover
3	02-3955-01	Inner top panel	16	02-3696-01	Tube grommet
4	03-1531-01	Screw	17	02-3696-02	Grommet left
5	A38281-021	Right side panel	18	02-3696-03	Grommet right
6	03-1735-01	Panel screw	19	15-0811-01	Eclipse emblem
7	A38373-021	Front panel, includes items 19 and 20	20	15-0808-01	Scotsman emblem
8	02-3702-01	Evaporator cover	21	02-3794-01	Trim strip
	02-3742-01	Insulation for cover	Not Shown, Front Panel Fasteners:		
9	03-1404-18	Screw	22	03-1734-01	Insert
10	A38338-001	Side mounting bracket	23	03-1417-27	Washer
11	A38280-021	Left side panel	24	03-1733-01	Ball stud
12	A38339-001	Slotted panel bracket			
13	A38279-001	Back panel			

# Eclipse 2000 Service Parts

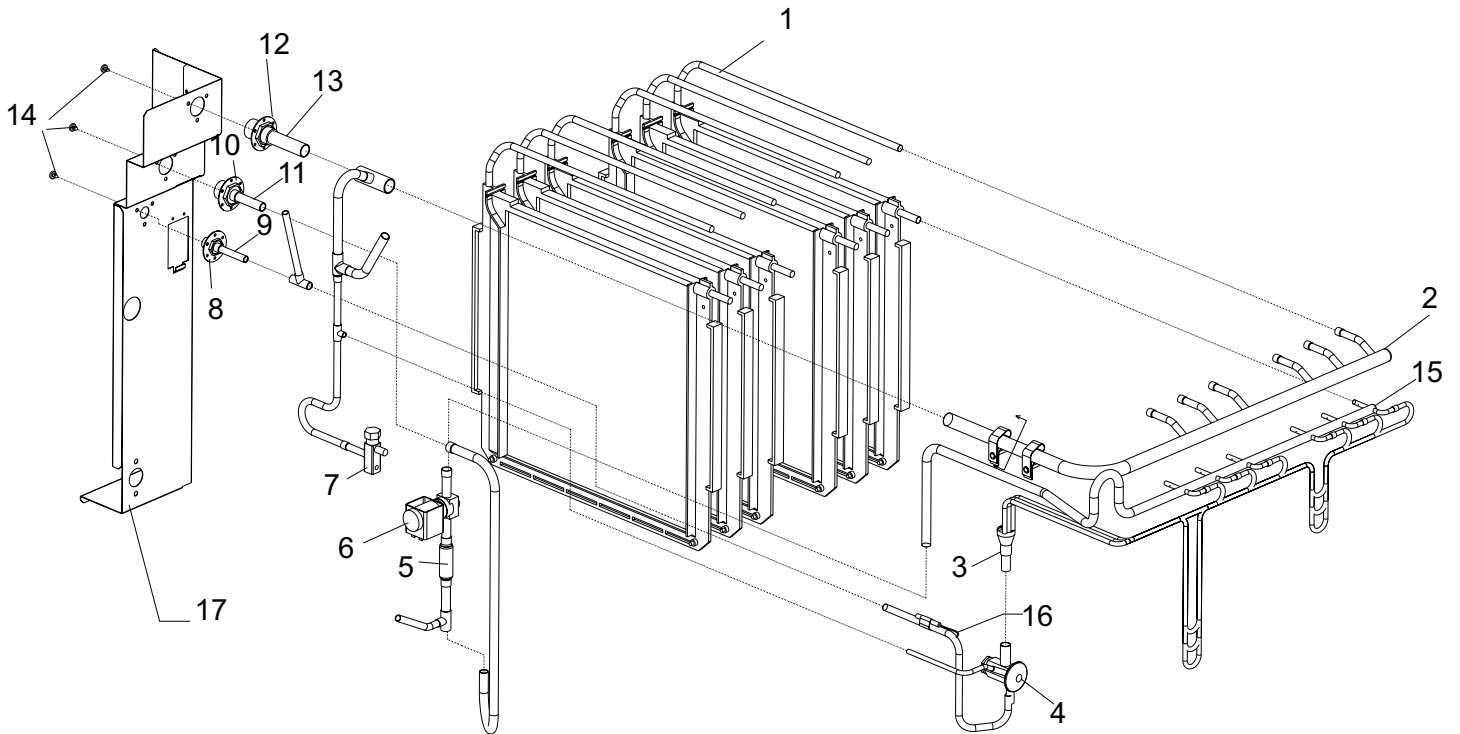
## CME2086 Interior Parts



Item Number	Part Number	Description	Item Number	Part Number	Description
1	02-3725-01	Hose clamp	19	02-3341-01	Float
2	02-3613-01	Elbow	20	12-2876-21	Water pump
3	13-0617-48	O-ring	21	02-3388-05	Pump bracket half
4	02-3518-01	Water manifold	22	11-0539-51	Water level sensor
5	02-3708-01	Top front inner panel	23	03-1691-01	Plastic screw
6	02-2527-01	Water distributor	24	02-3960-01	Sump cover
7	02-3519-01	Manifold fitting	25	02-3978-01	Hose bushing
8	13-0840-01	Rubber plug	26	13-0674-02	Hose, order 2, use 14 in.
9	02-3660-01	Pump hose	27	12-2548-01	Water inlet sol valve
10	11-0515-21	Temp sensor set	28	16-0355-00	Coupling half
11	02-3337-02	Cube deflector	29	11-0514-02	Purge valve
12	02-3383-09	CME2086 float stick	30	02-3980-01	Hose
13	02-3680-01	Lower front inner panel	31	02-3692-21	Drain fitting
14	11-0540-21	Ice sensor set	32	11-0521-21	Bin thermostat
15	02-3689-01	Front sensor mount		02-3740-01	Thermostat bracket
16	03-0727-09	Mounting screw		03-1675-03	Attaching bolt
17	03-1404-18	Screw	33	A37337-001	Evaporator bracket
18	02-3388-04	Pump bracket half	34	02-3672-02	Left water trough
			35	02-3672-01	Right water trough

# Eclipse 2000 Service Parts

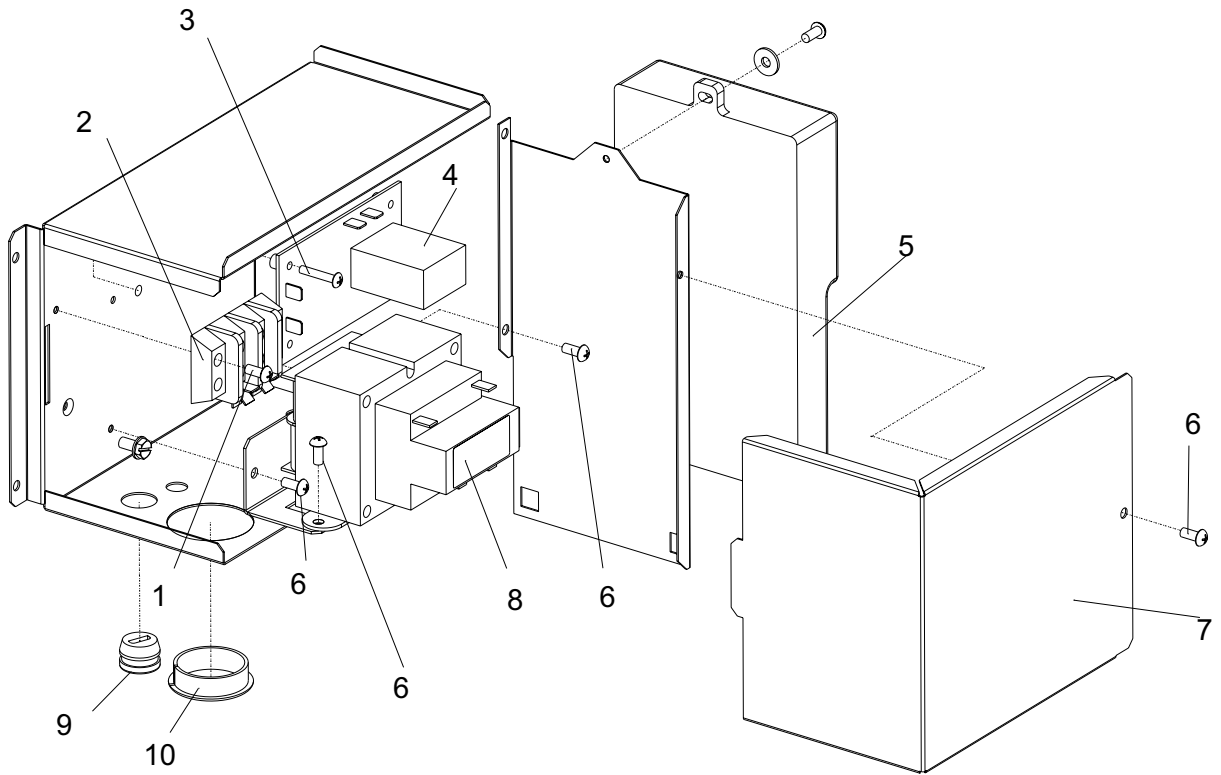
## CME2086 Refrigeration System



Item Number	Part Number	Description	Item Number	Part Number	Description
1	A37315-021	Evaporator	8	16-0701-07	Mounting flange
2	16-1102-02	Suction header	9	16-0850-03	Quick connect
3	A38437-021	Distributor assembly	10	16-0701-14	Mounting flange
4	16-1041-21	TXV ANE1 ¼ SZ	11	16-0850-01	Quick connect
	02-3792-01	TXV insulation	12	16-0701-18	Mounting flange
5	16-1063-03	Strainer	13	16-0850-04	Quick connect
6	11-0507-23	Vapor inlet valve	14	03-1405-15	Screw
7	16-0832-20	Low side access valve	15	16-1106-01	Hot gas header
			16	11-0515-21	Temp sensor set
			17	A38336-001	Bracket

# Eclipse 2000 Service Parts

## CME2086 Electrical



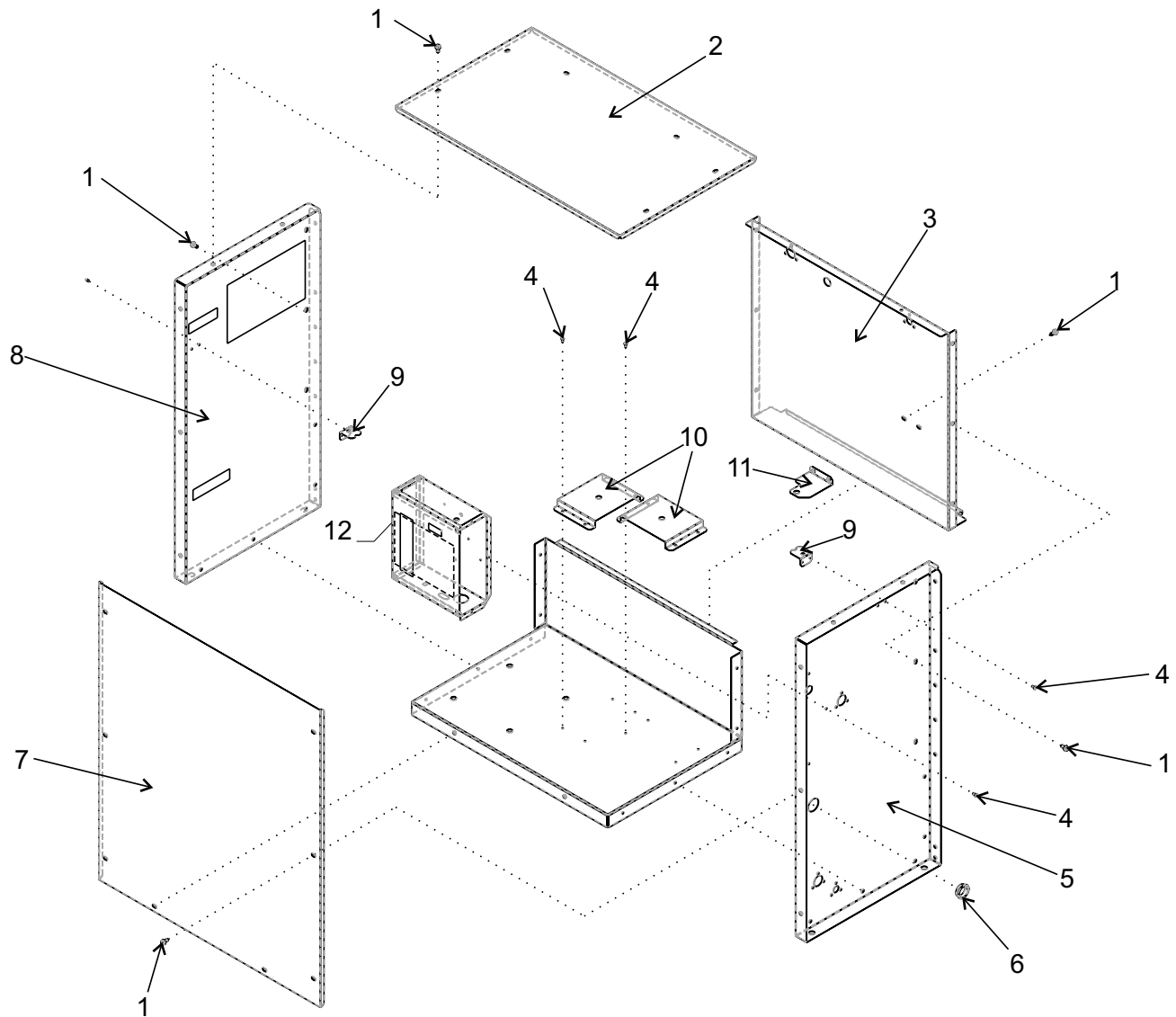
Item Number	Part Number	Description
1	03-1531-08	Screw
2	12-2780-01	Terminal block
3	03-1638-01	Screw
4	11-0531-22	Purge valve timer
5	12-2838-23	Controller
6	03-1531-01	Screw
7	A38284-001	Control box cover
8	12-2860-01	Transformer
9	12-0629-08	Snap bushing
10	12-1213-13	Snap bushing

Not illustrated:

11	12-1638-20	Power cord
12	12-2878-01	Hi voltage harness
13	12-2877-01	Lo voltage harness

# Eclipse 2000 Service Parts

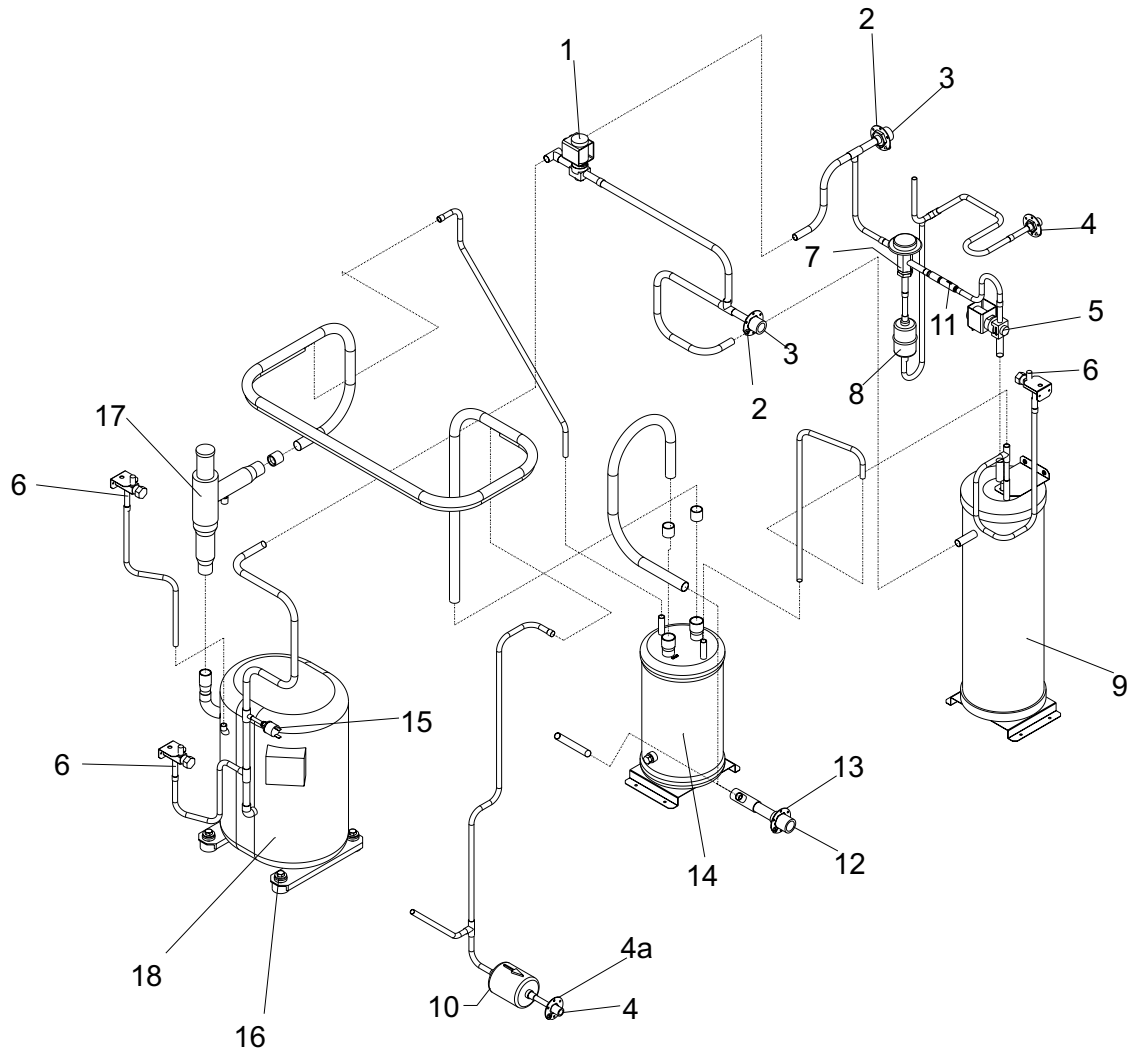
## CP2086 Cabinet



Item Number	Part Number	Description	Item Number	Part Number	Description
1	03-1645-01	Screw	10	A37948-001	Receiver or accumulator bracket
2	A37853-001	Top cover	11	A37949-001	Receiver top bracket
3	A37845-001	Back panel	12	A38430-001	Control box cover
4	03-1531-01	Screw			
5	A37829-001	Right side panel			
6	12-1213-20	Snap bushing			
7	A37896-001	Front cover			
8	A37829-002	Left side panel			
9	A37962-001	Service valve bracket			

# Eclipse 2000 Service Parts

## CP2086 Refrigeration Systems



Item Number	Part Number	Description	Part Number	Description
1	11-0507-23	By pass valve	13	16-0701-18 Mounting flange
2	16-0701-14	Mounting flange	14	16-1109-01 Accumulator
3	16-0850-01	Discharge quick connect	15	11-0501-22 Hi pressure cut out
4	16-0850-03	Liquid quick connect	16	03-1729-03 Hard mount pad
4a	16-0701-07	Mounting flange		03-1729-02 Hard mount washer
5	11-0546-21	Liquid inlet valve		03-1729-01 Hard mount
6	16-0832-20	Access valve		03-1405-20 Cap screw
7	16-1044-01	Headmaster	17	16-1096-01 CPR valve
8	02-3231-02	Filter	18	Compressors
9	16-1085-02	Receiver		
10	02-3319-02	Filter drier		
11	16-1029-01	Check valve		
12	16-0850-04	Suction quick connect		

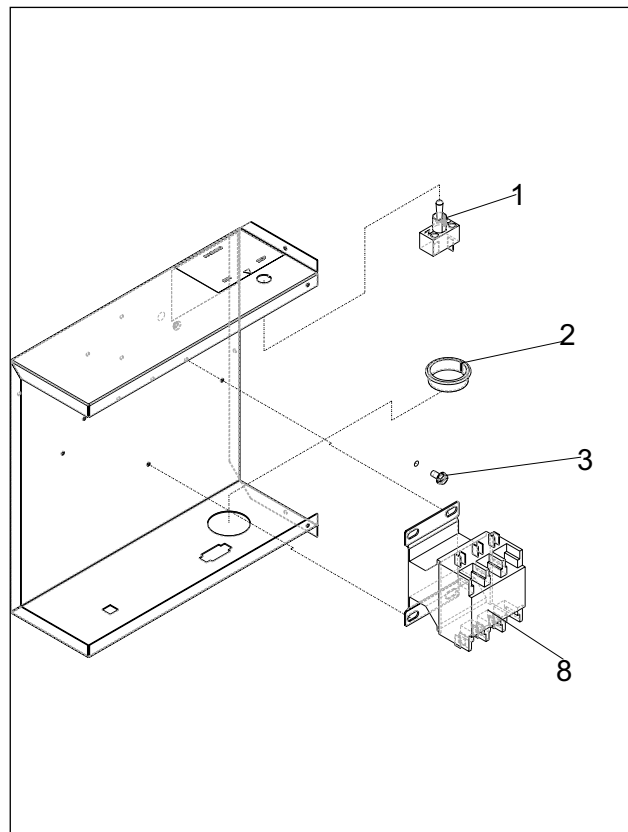
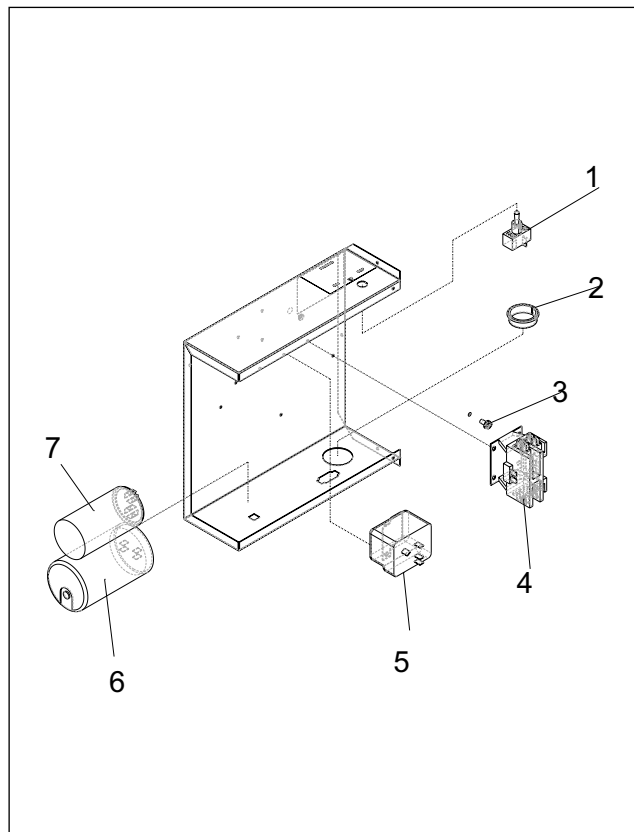
CP2086-32	single phase	18-8877-22
CP2086-2	three phase	18-8877-23

All compressors are 208-230 volt, 60 Hz.  
Single phase compressors require starting components, order separately

	18-8828-01	Crankcase heater
19	12-2865-01	75' Interconnecting harness

# Eclipse 2000 Service Parts

## CP2086 Control Box



Item Number	Part Number	Description
1	12-0426-01	Toggle switch
2	12-1213-20	Snap bushing
3	03-1531-01	Mounting screw
4	12-2595-01	Single phase contactor
5	18-1903-55	Potential relay
6	18-1901-58	Start capacitor
7	18-1902-62	Run capacitor
8	12-2533-01	Three phase Contactor

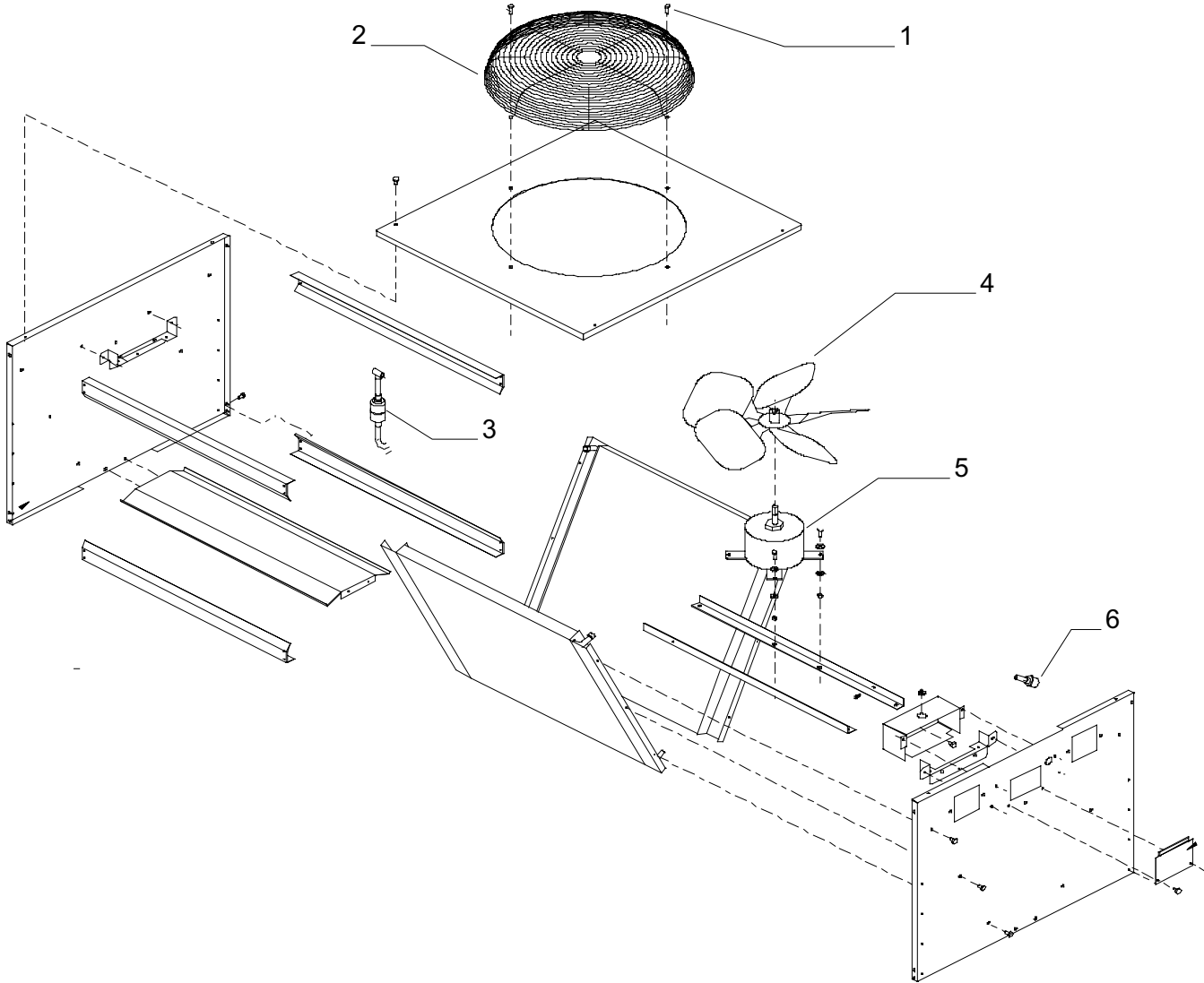
Not Shwn, single phase only

9	12-2679-01	Relay, 24 volt
10	12-2906-01	Harness for time delay
11	12-2836-02	Transformer
12	11-0530-01	Time delay relay



# Eclipse 2000 Service Parts

## Remote Condensers



### Model ERC2086

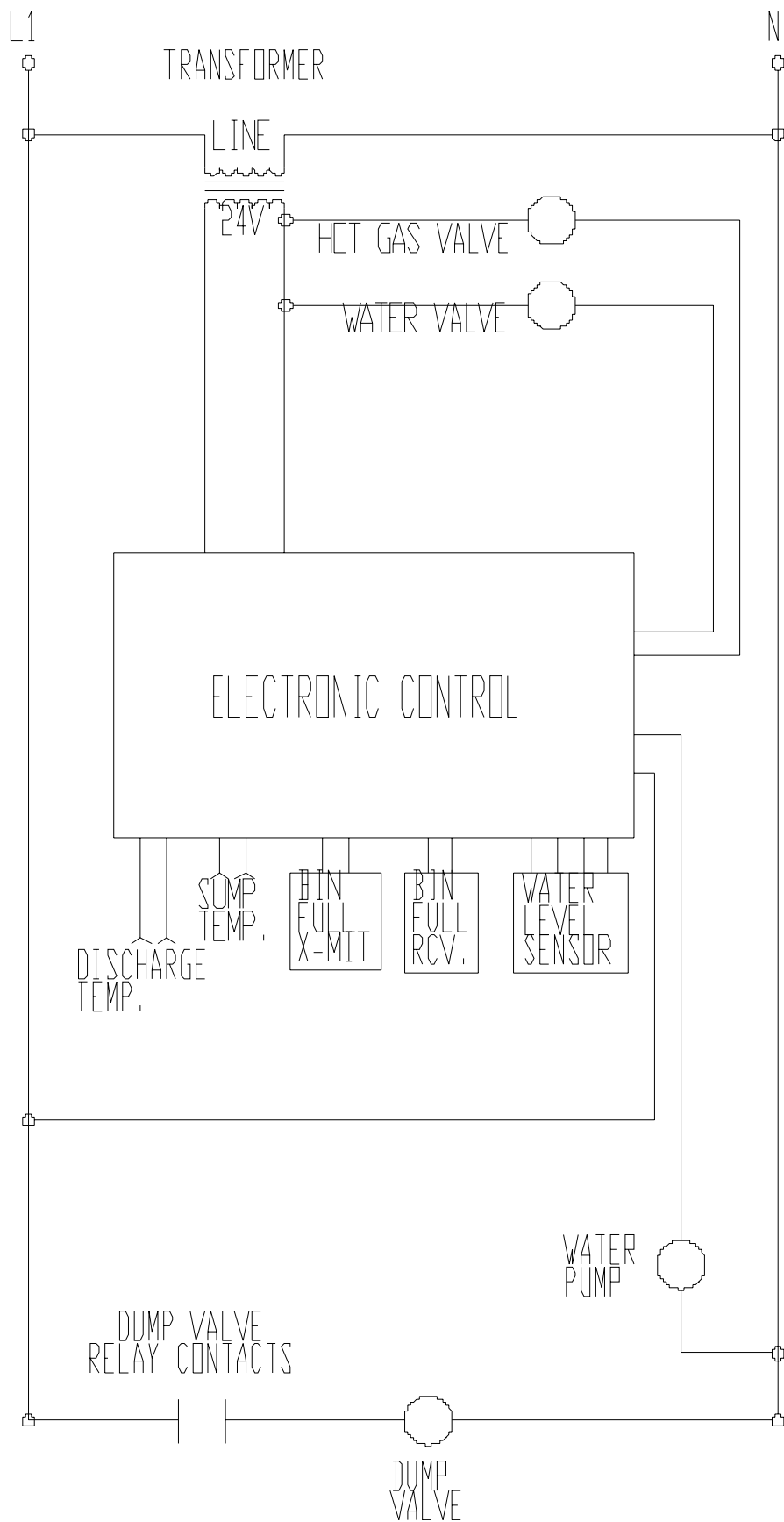
### Not Shown:

Item Number	Part Number	Description
1	03-1405-08	Screw
2	02-3770-01	Fan guard
3	02-3231-03	Filter
4	18-8820-01	Fan blade
5	12-2717-01	Fan motor
	18-8878-01	Motor capacitor
6	16-1057-04	Quick connect, discharge
	16-1057-03	Quick connect, liquid

A37169-001	Leg
A37296-001	Leg brace
03-1645-01	Screw for legs

# Eclipse 2000 Service Parts

## CME2086 Schematic Diagram

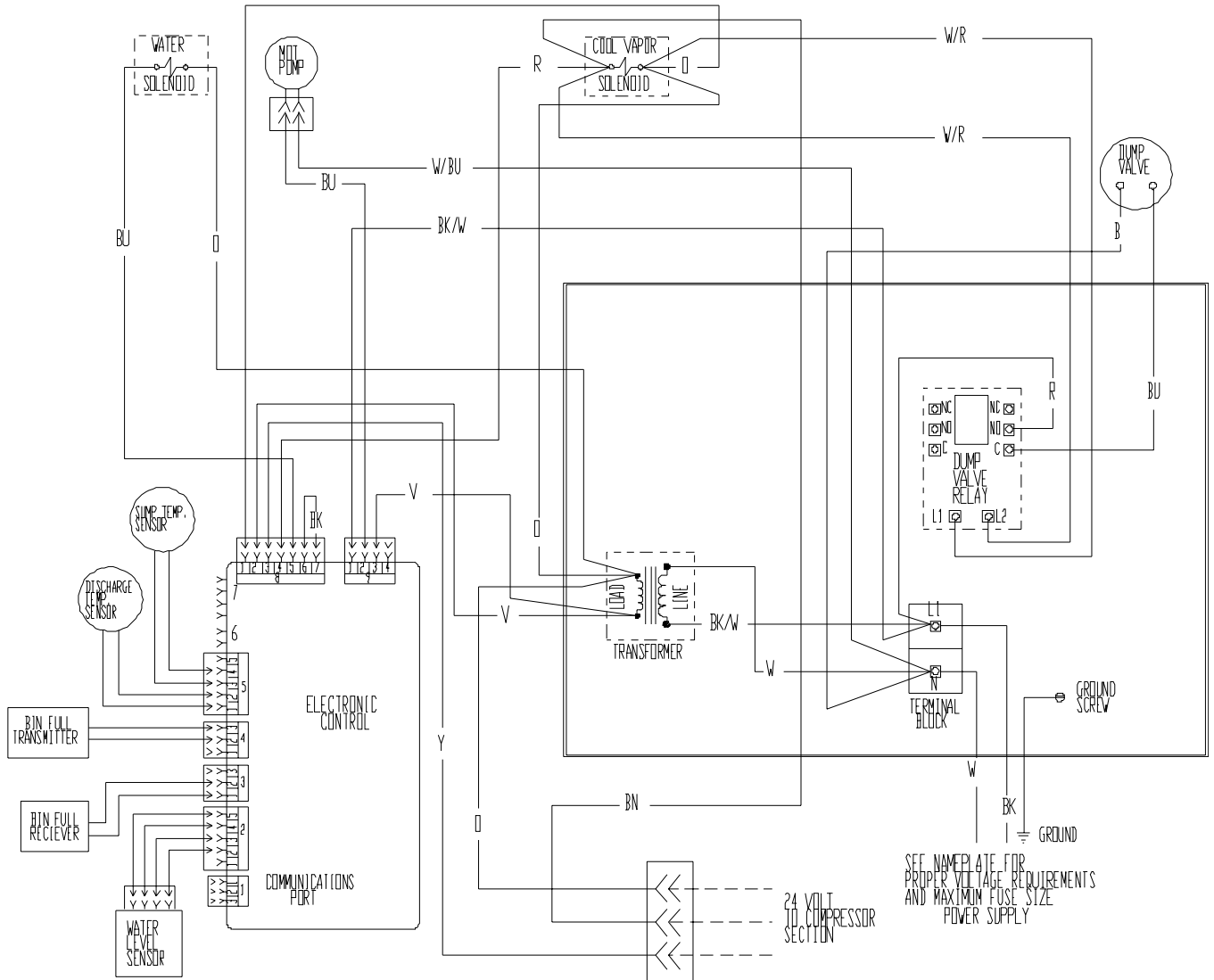


# Eclipse 2000 Service Parts

## CME2086 Wiring Diagram

17-2890-01

USE COPPER CONDUCTORS ONLY



SEE NAMEPLATE FOR PROPER VOLTAGE REQUIREMENTS AND MAXIMUM FUSE SIZE POWER SUPPLY

CAUTION:

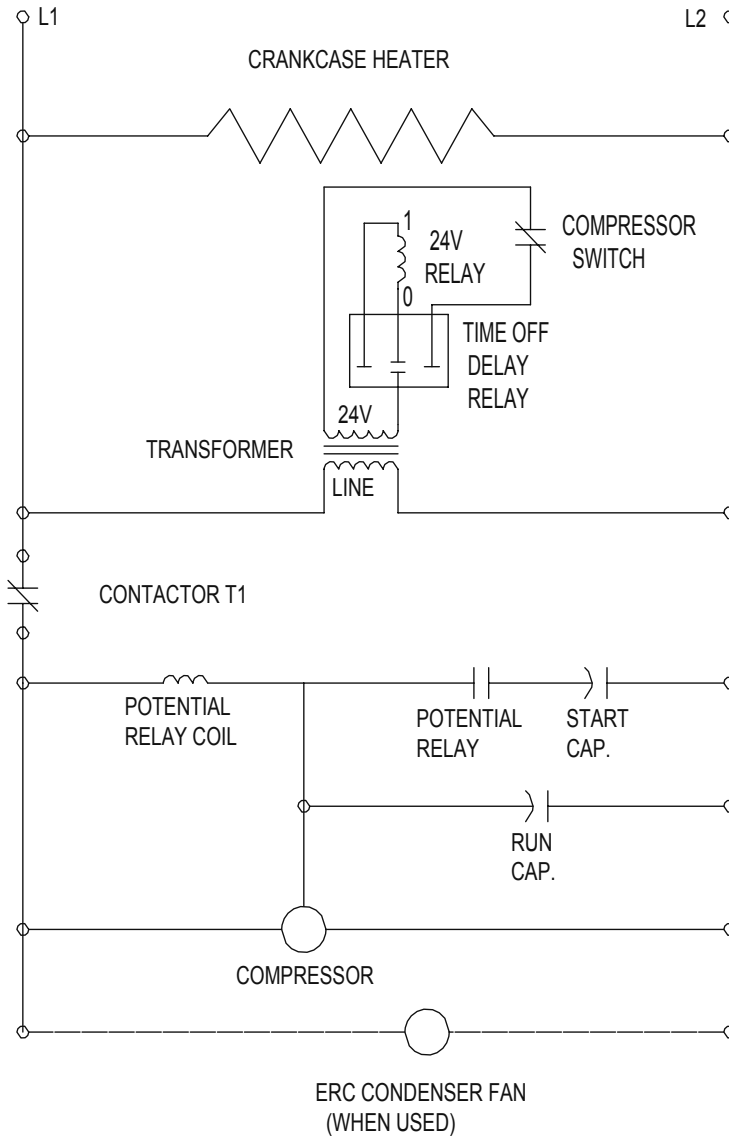
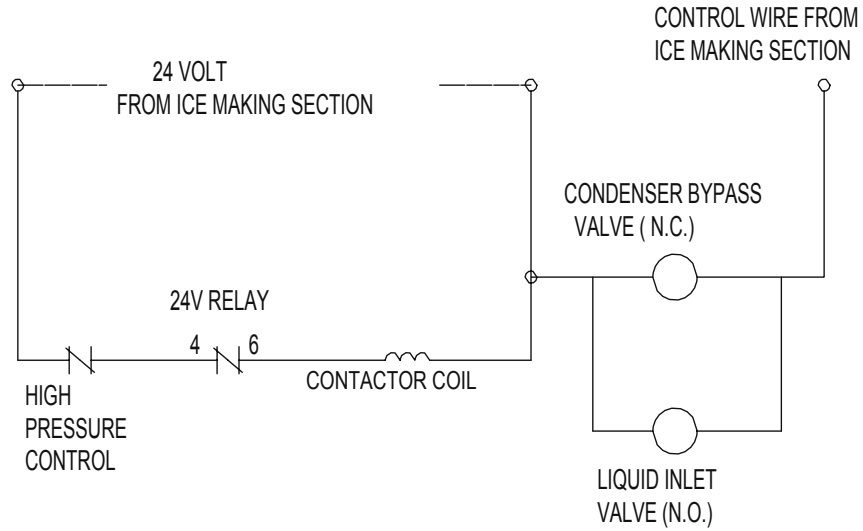
MORE THAN ONE DISCONNECT MEANS MAY BE REQUIRED TO DISCONNECT ALL POWER TO THIS UNIT.

THIS UNIT MUST BE GROUNDED.

⚠ DASHED LINES INDICATE FIELD WIRING WHICH MUST BE INSTALLED IN ACCORDANCE WITH THE NATIONAL ELECTRICAL CODE AND ALL STATE AND LOCAL CODES.

# Eclipse 2000 Service Parts

## CP2086 Single Phase Schematic Diagram




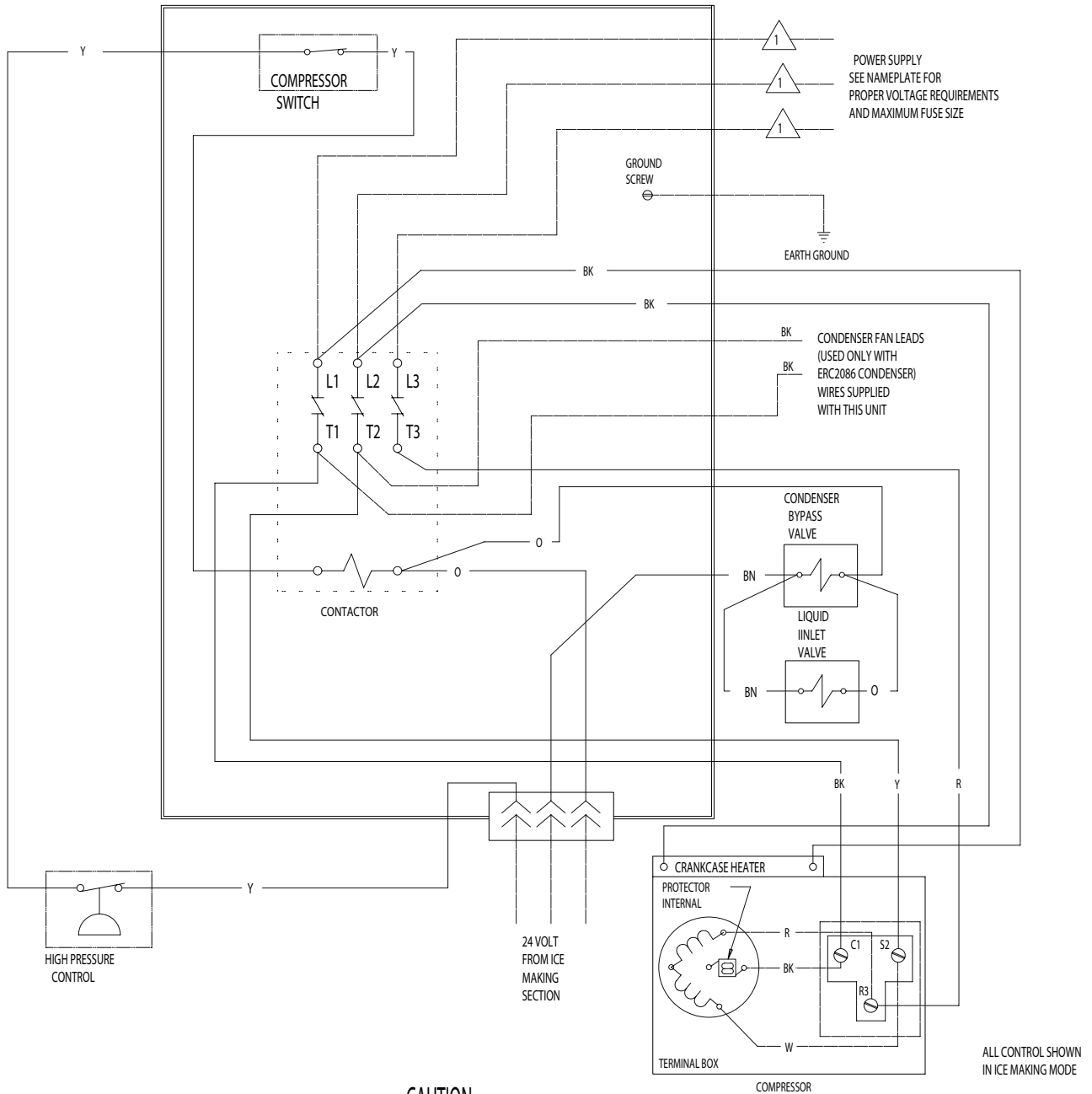
# Eclipse 2000 Service Parts

## CP2086 Single Phase Wiring Diagram

17-2984-01

USE COPPER CONDUCTORS ONLY

 DASHED LINES INDICATE FIELD WIRING WHICH MUST BE INSTALLED IN ACCORDANCE WITH THE NATIONAL ELECTRICAL CODE AND ALL STATE AND LOCAL CODES.



THIS UNIT MUST  
BE GROUNDED.

CAUTION:

MORE THAN ONE DISCONNECT MEANS MAY BE  
REQUIRED TO DISCONNECT ALL POWER TO THIS UNIT.

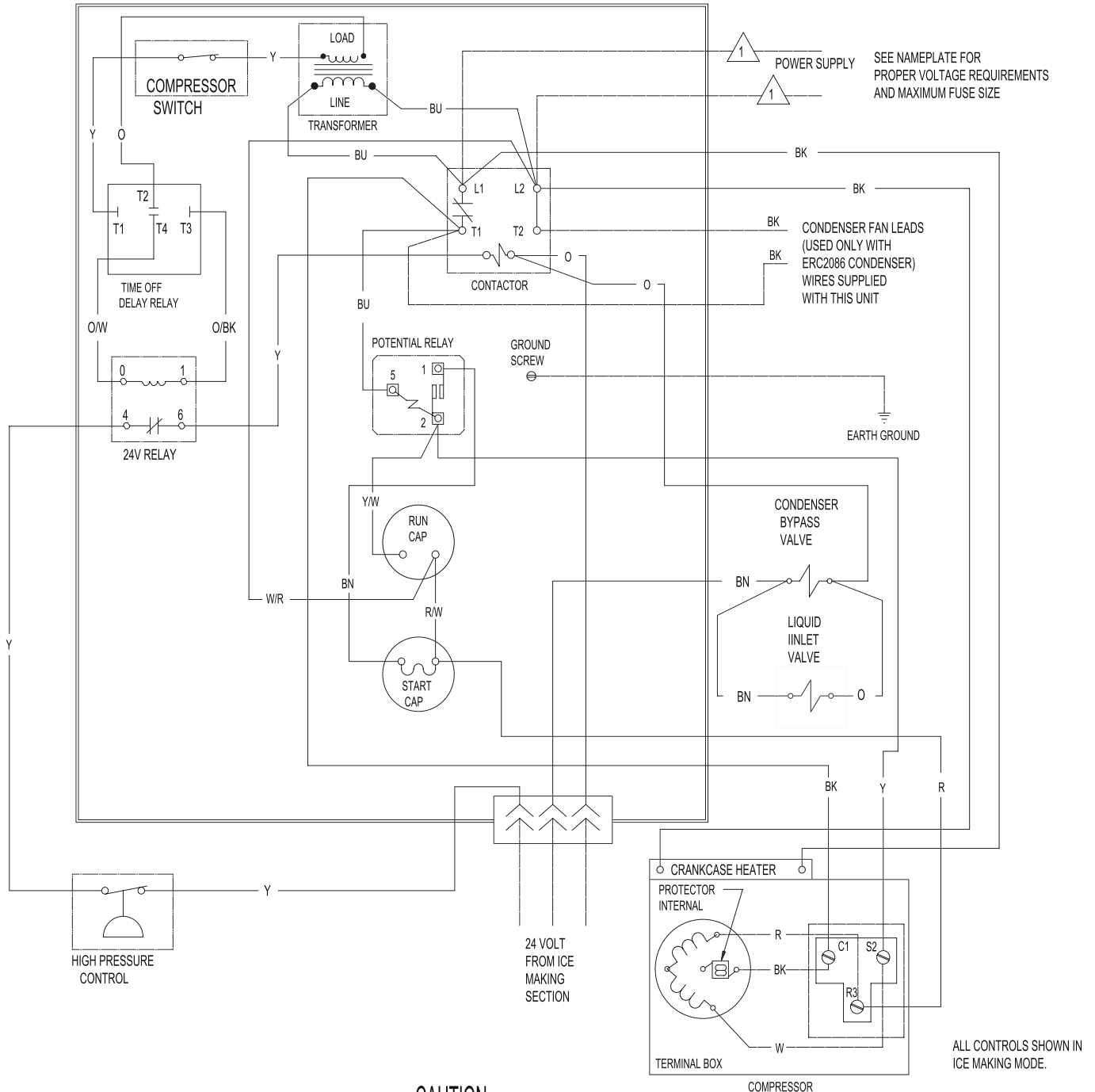
# Eclipse 2000 Service Parts

## CP2086 Three Phase Wiring Diagram

17-2982-01

USE COPPER CONDUCTORS ONLY

**⚠** DASHED LINES INDICATE FIELD WIRING WHICH MUST BE INSTALLED IN ACCORDANCE WITH THE NATIONAL ELECTRICAL CODE AND ALL STATE AND LOCAL CODES.



THIS UNIT MUST BE GROUNDED.

**CAUTION:** MORE THAN ONE DISCONNECT MEANS MAY BE REQUIRED TO DISCONNECT ALL POWER TO THIS UNIT.

# Eclipse 2000 Service Parts

## CP2086 Three Phase Schematic Diagram

