

CME250 SERVICE PARTS

This section contains the parts illustrations and parts lists for the CME250.

A "no number" designation, when found in the part number column, indicates the part in question is not available from Scotsman as an assembly. This designation is used only for clarity in making the list.

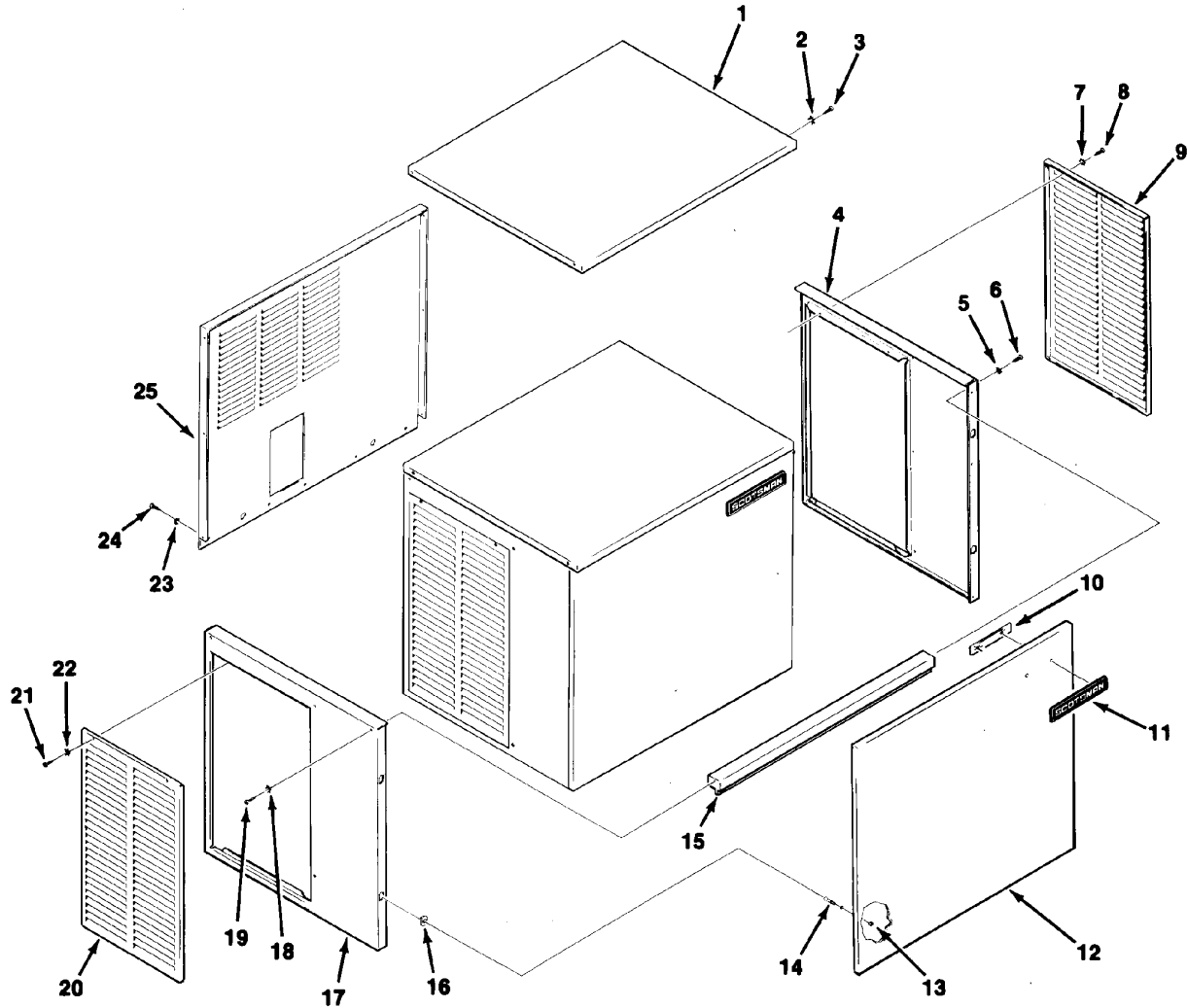
Beginning with 1994 production, the thermostatic expansion valve, the fan motor bracket and the condenser shroud were changed.

When ordering parts, to avoid costly delays and errors, check the complete description as shown in the list.

TABLE OF CONTENTS

Exterior Panels	2
Interior Panels	3
Air Cooled Refrigeration	4
Water Cooled Refrigeration	5
Water System	6
Control Box	7
Wiring Diagrams	8

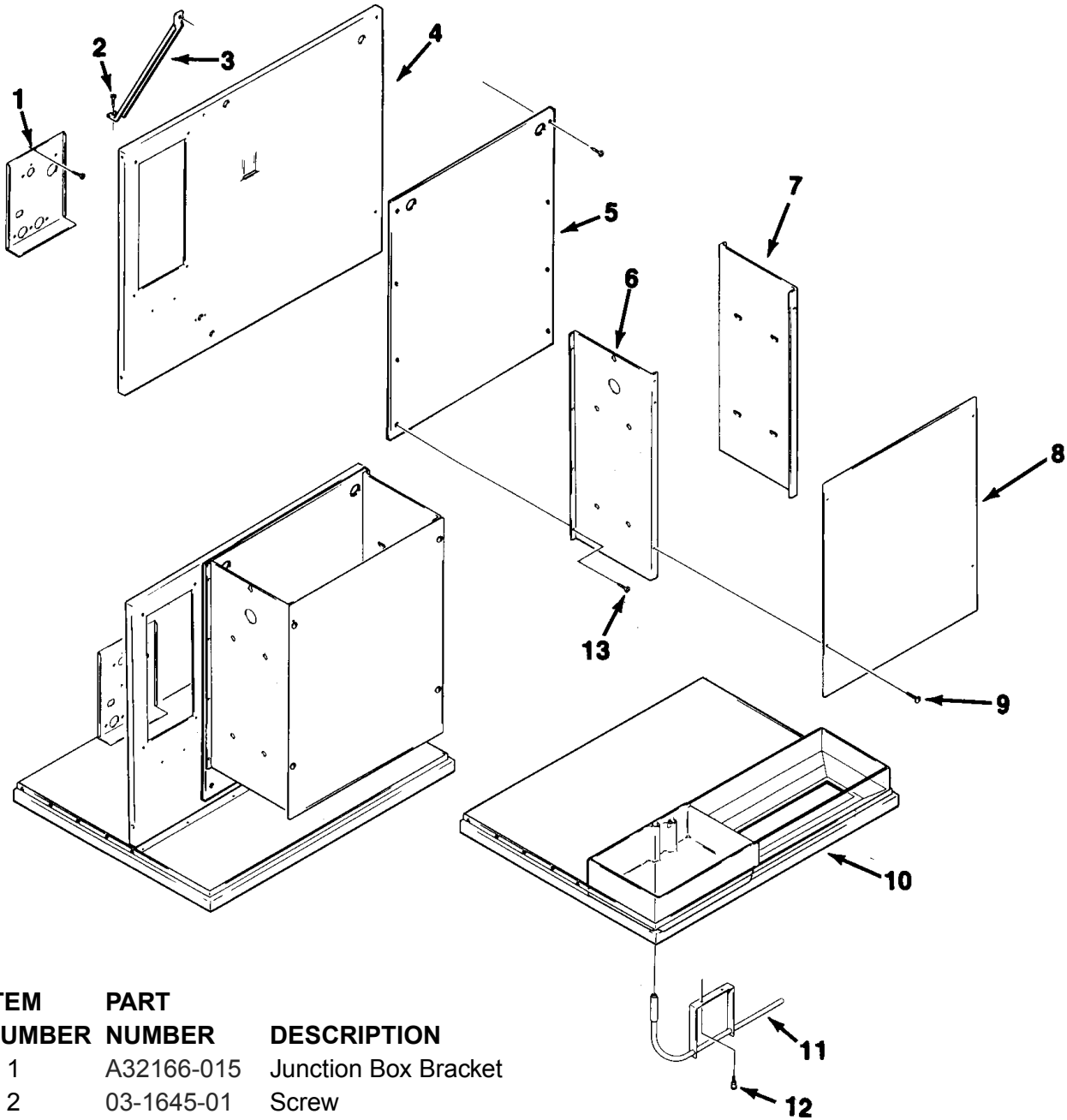
CME250 SERVICE PARTS CABINET ASSEMBLY



ITEM NUMBER	PART NUMBER	DESCRIPTION	ITEM NUMBER	PART NUMBER	DESCRIPTION
1	A32159-001	Top Panel, Painted	13	03-1406-04	Nut
	A32159-002	Top Panel, S. S.	14	15-0411-00	Strike
2	03-1417-27	Lockwasher	15	A32169-001	Front Support
3	03-1531-01	Screw	16	02-0836-00	Cabinet Catch
4	A32162-001	Right End Panel, Paint	17	A32163-001	Left End Panel, Paint
	A32162-002	Right End Panel, S.S.		A32163-002	Left End Panel, S.S.
5	03-1417-03	Lockwasher	18	03-1417-03	Lockwasher
6	03-1531-01	Screw	19	03-1531-01	Screw
7	03-1417-03	Lockwasher	20	A32161-001	Service Panel, sandalwood
8	03-1404-12	Screw		A33946-002	Service Panel, gray
9	A32161-001	Service Panel, Painted	21	03-1404-12	Screw
	A33946-002	Service Panel, gray	22	03-1412-03	Lockwasher
10	03-0271-00	Speed Nut	23	03-1417-27	Lockwasher
11	15-0711-01	Emblem for painted	24	03-1531-01	Screw
	15-0808-03	Emblem for stainless	25	A32202-003	Back Panel, painted
12	A32160-001	Front Panel, Painted		A32202-002	Back panel, stainless
	A32160-002	Front Panel, S.S.			

CME250 SERVICE PARTS

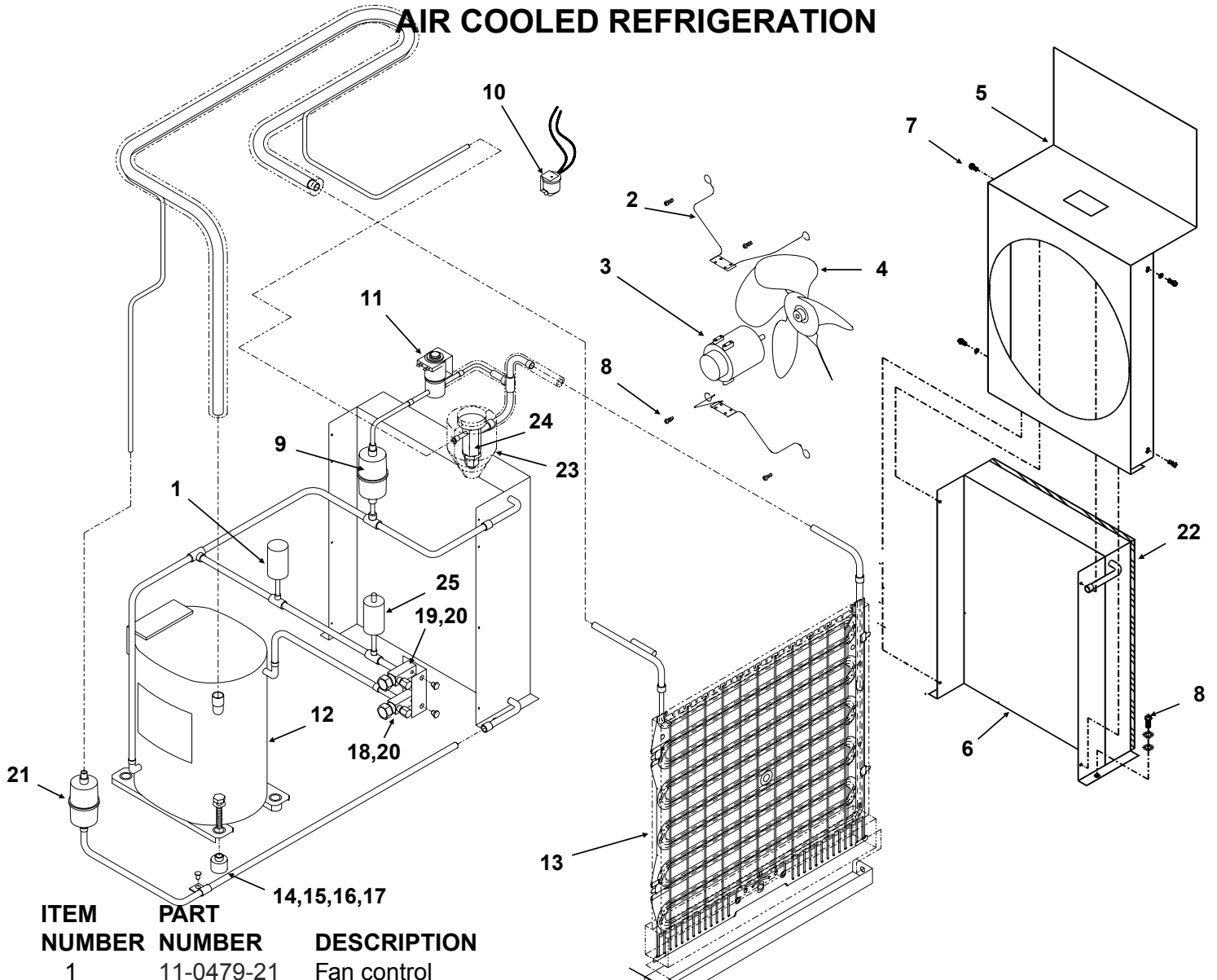
CABINET INTERIOR



ITEM NUMBER	PART NUMBER	DESCRIPTION
1	A32166-015	Junction Box Bracket
2	03-1645-01	Screw
3	A32210-001	Support Brace
4	A35666-001	Retainer
5	02-2867-01	Splash Panel
6	A35671-001	Evaporator Bracket, Left
7	A32172-001	Evaporator Bracket, Right
8	02-3246-01	Evaporator Plate Cover
9	03-0727-09	Thumbscrew
10	A32153-002	Base
11	A32262-001	Bin Thermostat Bracket
12	03-0727-09	Thumbscrew
13	03-1531-02	Screw

CME250 SERVICE PARTS

AIR COOLED REFRIGERATION



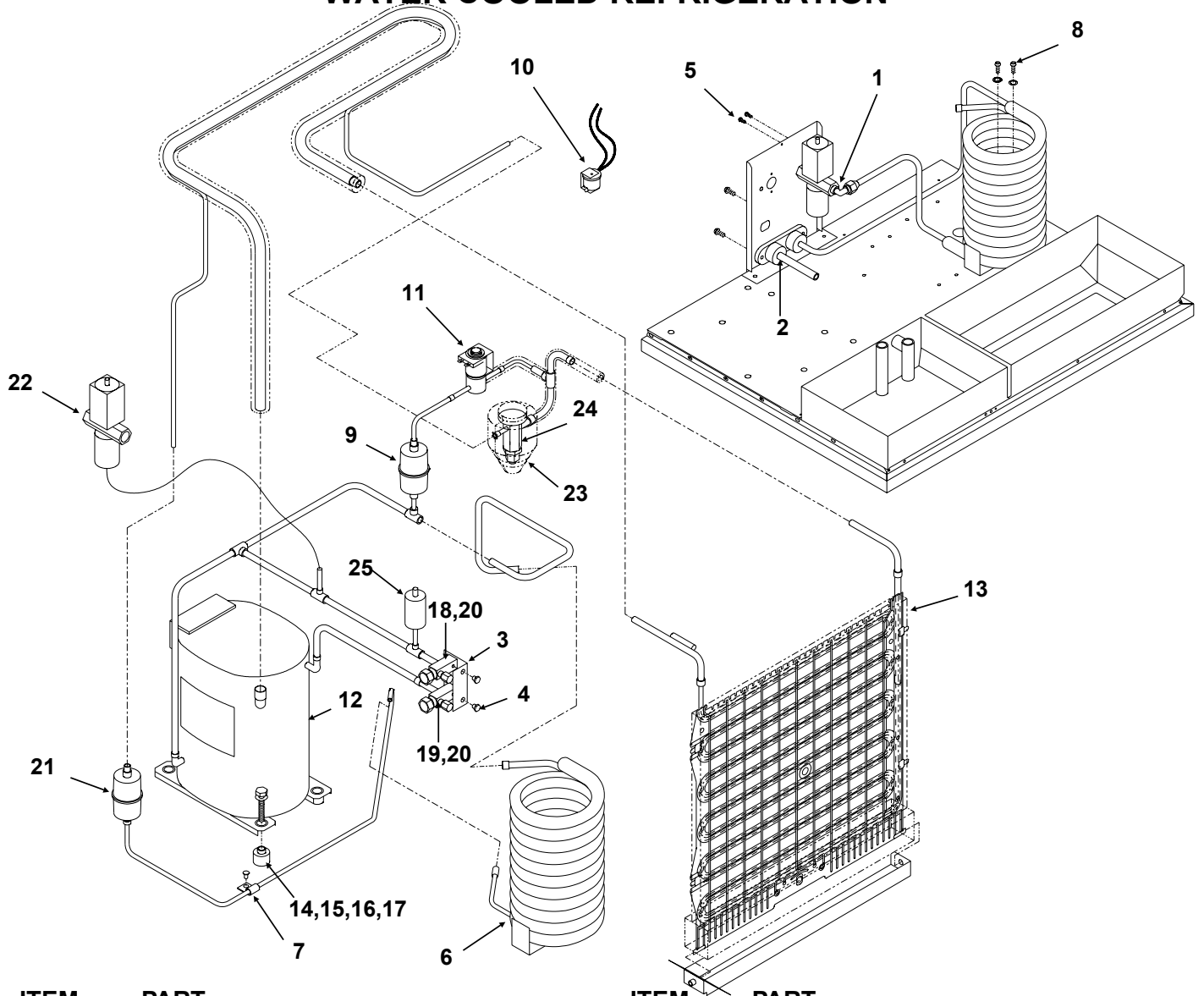
ITEM NUMBER	PART NUMBER	DESCRIPTION
1	11-0479-21	Fan control
2	18-3739-01	Fan Motor Bracket -12L only*
	02-3333-01	Fan Motor Bracket
3	18-5105-11	Fan Motor
4	18-3732-01	Fan Blade
5	A32171-001	Fan shroud-12L only*
	A35978-001	Fan shroud
5a	A35979-001	Fan shroud top
6	18-0398-01	Condenser
7	03-1404-05	Screw, #6 x 3/8
8	03-1645-01	Screw, 1/4 - 20 x 1/2
	03-1410-03	Lockwasher
	03-1407-05	Washer
9	02-3231-01	Hot gas valve filter-12L only*
10	12-2300-03	Hi Temp Cut Out
11	12-2417-22	Hot Gas Valve
12	18-8720-21	Compressor, includes drier
	18-5700-50	Overload

ITEM NUMBER	PART NUMBER	DESCRIPTION
13	A30296-020	Evaporator
14	18-2200-28	Grommet
15	18-2200-27	Sleeve
16	03-1407-07	Washer
17	03-1405-20	Screw
18	16-0832-20	Lo side access valve (w/caps)
19	16-0832-21	Hi side access valve (w/caps)
20	16-0832-02	Stem cap
	16-0832-03	Core cap
21	02-3319-01	Drier
22	A32975-001	Foam Filter
23	A36067-001	TXV insulation
24	16-0866-21	TXV - ext. equalized
		12L units must add ext. equalizer.
25	11-0485-21	Hi Pressure Cut Out Switch

*Only used on units with a serial number ending in -12L.

CME250 SERVICE PARTS

WATER COOLED REFRIGERATION

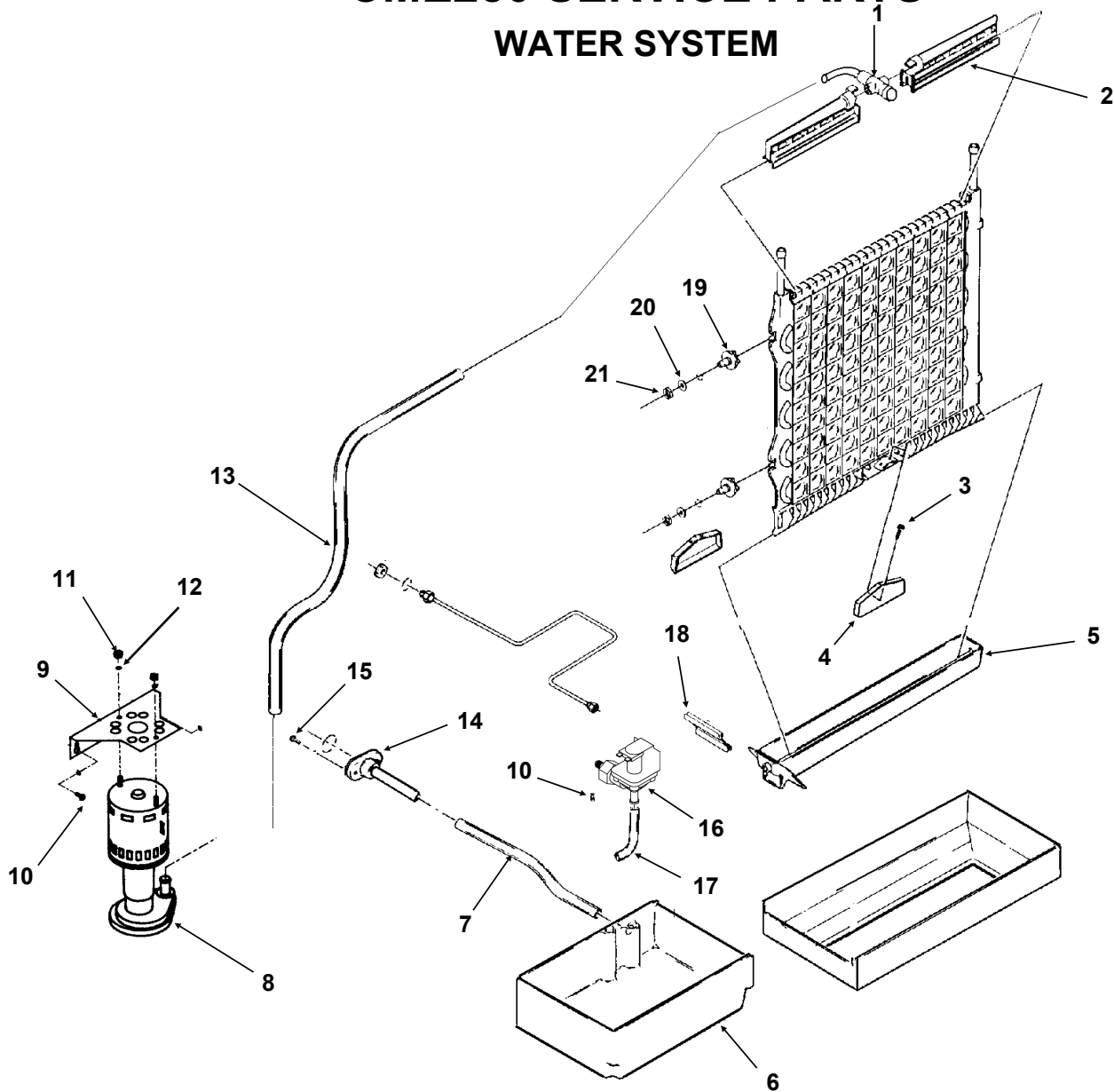


ITEM NUMBER	PART NUMBER	DESCRIPTION	ITEM NUMBER	PART NUMBER	DESCRIPTION
1	16-0401-00	Brass elbow	13	A30296-020	Evaporator
2	A32244-001	Drain assembly	14	18-2200-28	Grommet
3	A35588-001	Bracket for valves	15	18-2200-27	Sleeve
4	03-0571-02	Screw	16	03-1407-07	Washer
5	03-1403-14	Screw	17	03-1405-20	Screw
6	18-3306-25	Condenser	18	16-0832-20	Lo side access valve (w/caps)
7	03-1682-02	Clamp	19	16-0832-21	Hi side access valve (w/caps)
8	03-1645-01	Screw, 1/4 - 20 x 1/2	20	16-0832-02	Stem cap
	03-1417-08	Lockwasher		16-0832-03	Core cap
9	02-3231-01	Hot gas valve filter -12L only*	21	02-3319-01	Drier
10	12-2300-03	Hi Temp Cut Out	22	11-0478-01	Water regulating valve
11	12-2417-22	Hot Gas Valve	23	A36067-001	TXV insulation
12	18-8720-21	Compressor, includes drier	24	16-0866-21	TXV - ext. equalized
	18-5700-50	Overload			12L units must add ext. equalizer.
			25	11-0486-21	Hi Pressure Cut Out Switch

* Only used on units with a serial number ending in -12L.

CME250 SERVICE PARTS

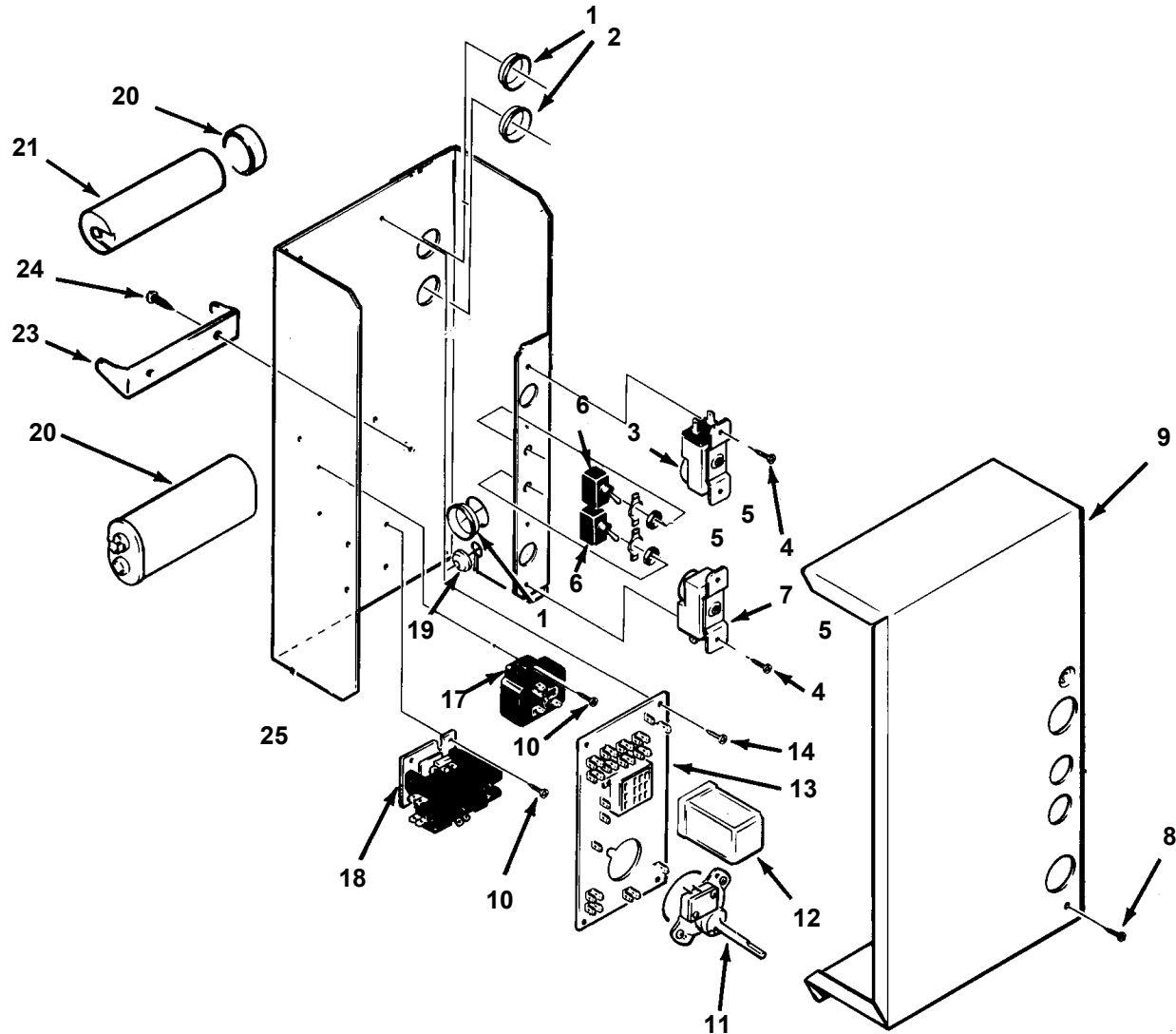
WATER SYSTEM



ITEM NUMBER	PART NUMBER	DESCRIPTION	ITEM NUMBER	PART NUMBER	DESCRIPTION
1	A30926-001	Manifold w/ "T" & "elbow"	13	13-0674-07	Pump hose, 33"
2	02-2527-01	Water distributor tube	14	A32282-003	Drain assembly, AC
3	03-1531-01	Screw	15	03-1645-01	Screw
4	02-2878-02	End cover	16	12-2447-21	Inlet water valve
5	02-2868-01	Drain trough	17	A35926-001	Water inlet tube
6	02-2869-01	Reservoir	18	02-2875-01	Deflector
7	13-0674-07	Drain hose, 8"	19	02-2642-01	Plate mount
8	12-2260-21	Water pump	20	03-1408-34	Washer
9	A35554-001	Pump bracket	21	03-1394-03	Pal nut
10	03-1531-01	Screw			
11	03-1406-05	Nut			
12	03-1417-06	Lockwasher			

CME250 SERVICE PARTS

CONTROL BOX

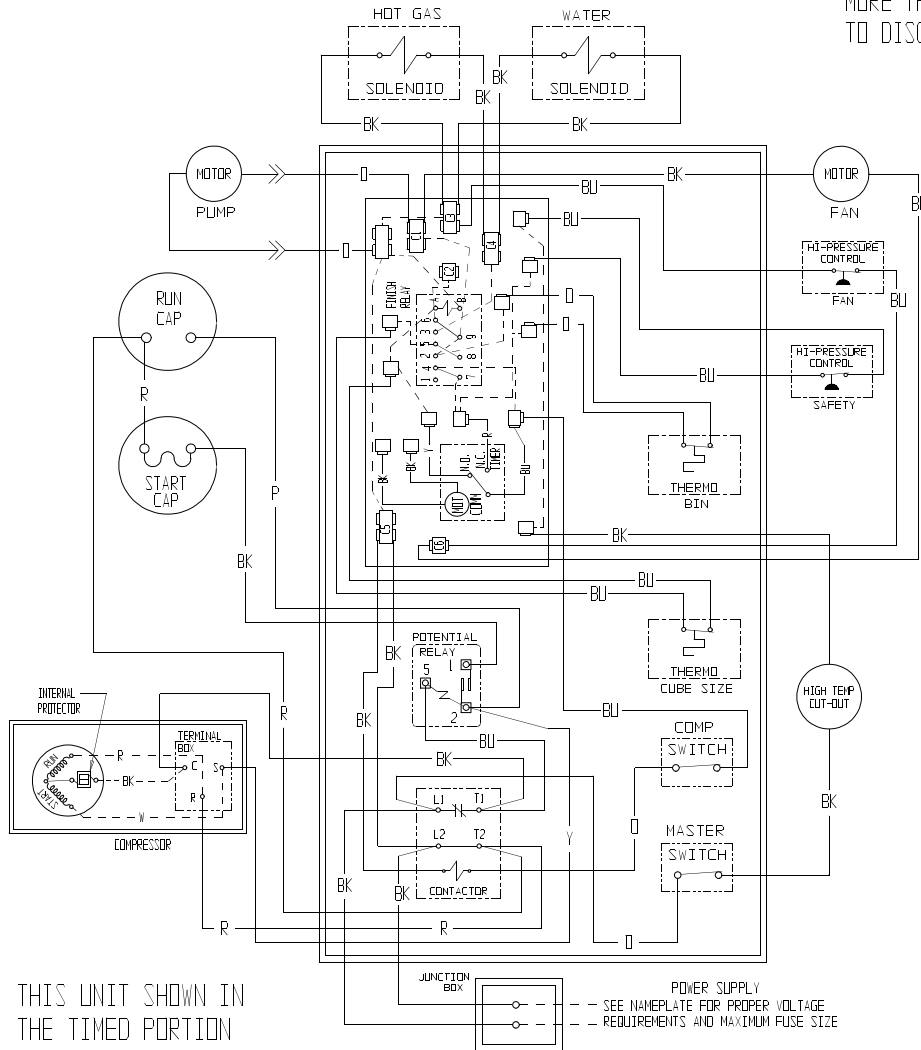


ITEM NUMBER	PART NUMBER	DESCRIPTION	ITEM NUMBER	PART NUMBER	DESCRIPTION
1	12-1213-17	Snap bushing	14	03-1403-02	Screw
2	12-1213-10	Snap bushing	15	03-1403-05	Screw
3	11-0436-21	Cube size thermostat	16	03-1417-03	Lockwasher
4	03-1403-17	Screw	17	18-1903-44	Potential relay
5	03-1417-27	Lockwasher	18	12-2469-03	Contactor
6	12-0426-01	Toggle switch	19	12-1213-04	Snap bushing
7	11-0427-22	Bin thermostat	20	18-1902-52	Run capacitor
8	03-1531-01	Screw		13-0666-00	Cap for run capacitor
9	A32168-001	Control Box Cover		A32872-001	Clamp for run capacitor
10	03-1638-03	Screw	21	18-1901-49	Start capacitor
11	12-2317-21	Timer & Switch	22	18-2200-38	Cap for start capacitor
12	12-1879-02	Relay, 115 V	23	18-2200-39	Bracket for start capacitor
13	12-1912-01	Circuit Board	24	03-1418-06	Screw
			25	03-1406-06	#10 Hex nut

CME250 SERVICE PARTS AIR COOLED WIRING DIAGRAM

A35661-032

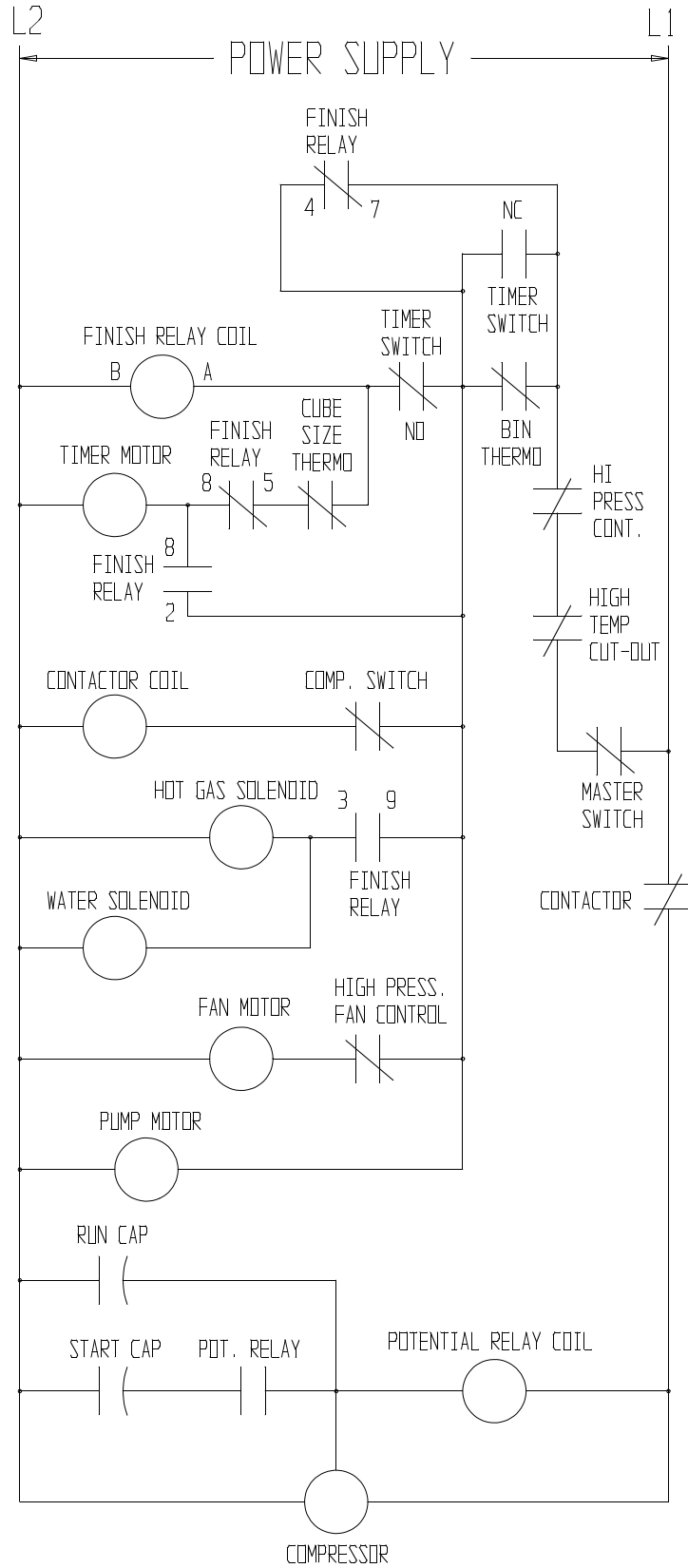
CAUTION:
MORE THAN ONE DISCONNECT MEANS MAY BE REQUIRED
TO DISCONNECT ALL POWER TO THIS UNIT



THIS UNIT SHOWN IN
THE TIMED PORTION
OF THE FREEZING CYCLE

USE COPPER CONDUCTORS ONLY

CME250 SERVICE PARTS AIR COOLED SCHEMATIC DIAGRAM

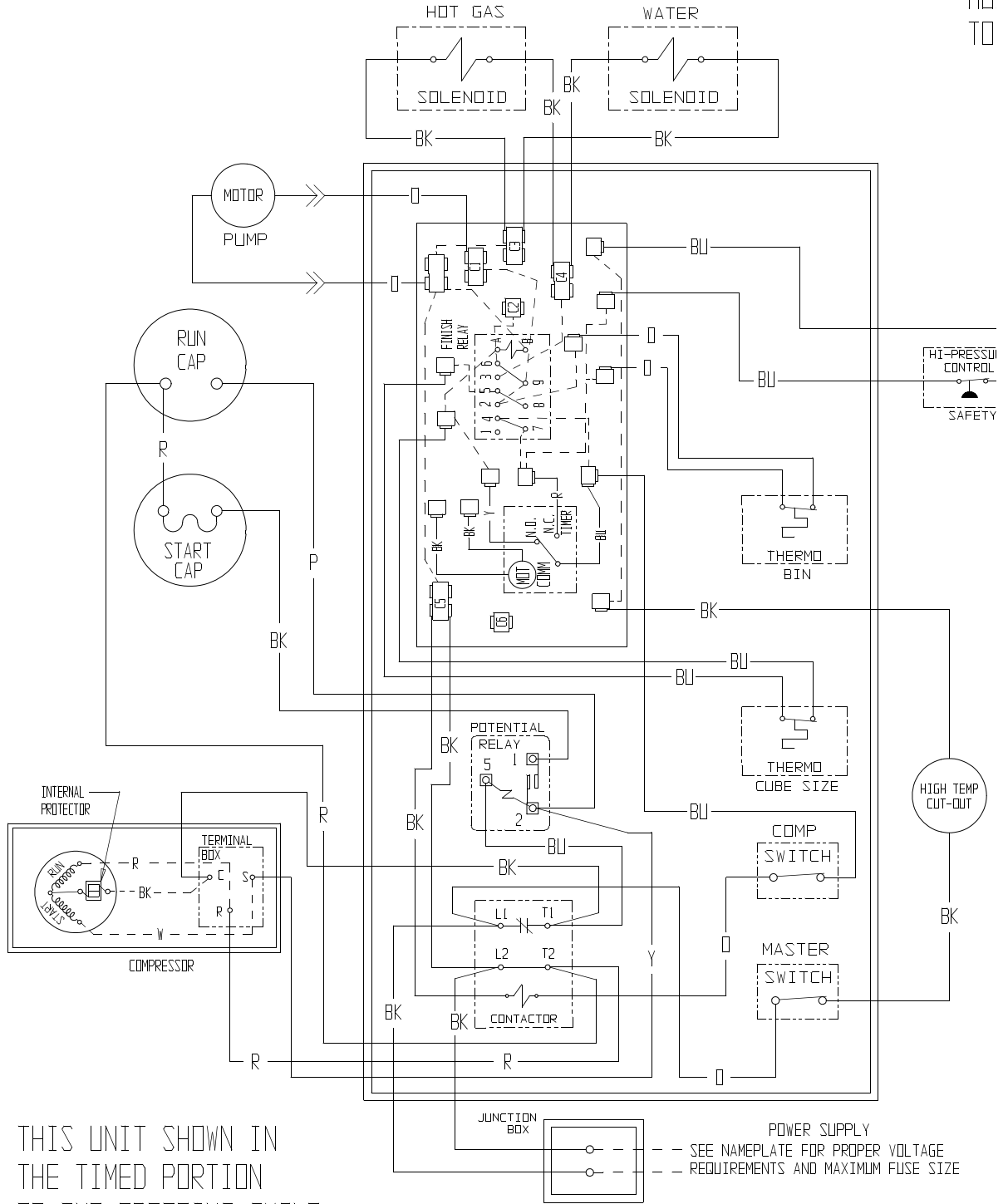


THIS UNIT MUST BE GROUNDED

CME250 SERVICE PARTS WATER COOLED WIRING DIAGRAM

A35662-032

CA
MO
TO

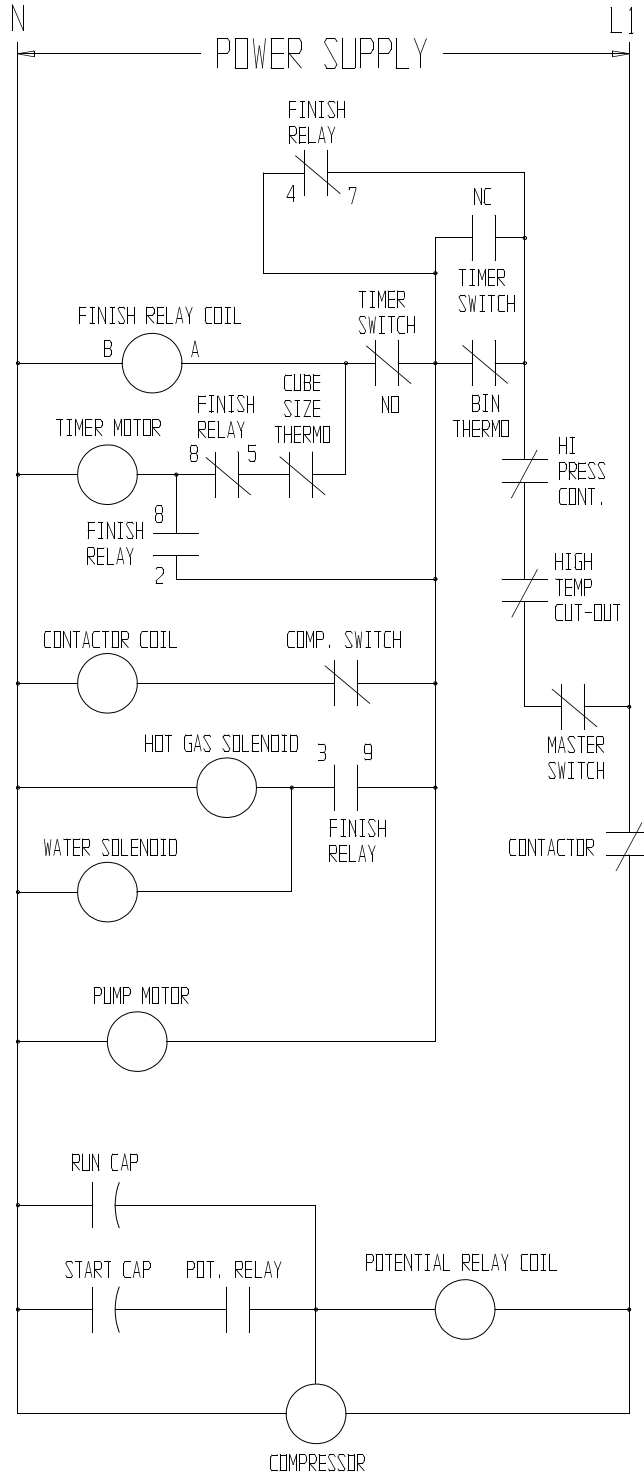


THIS UNIT SHOWN IN
THE TIMED PORTION
OF THE FREEZING CYCLE

USE COPPER CONDUCTORS ONLY

CME250 SERVICE PARTS WATER COOLED SCHEMATIC DIAGRAM

CAUTION:
MORE THAN ONE DISCONNECT MEANS MAY BE REQUIRED
TO DISCONNECT ALL POWER TO THIS UNIT



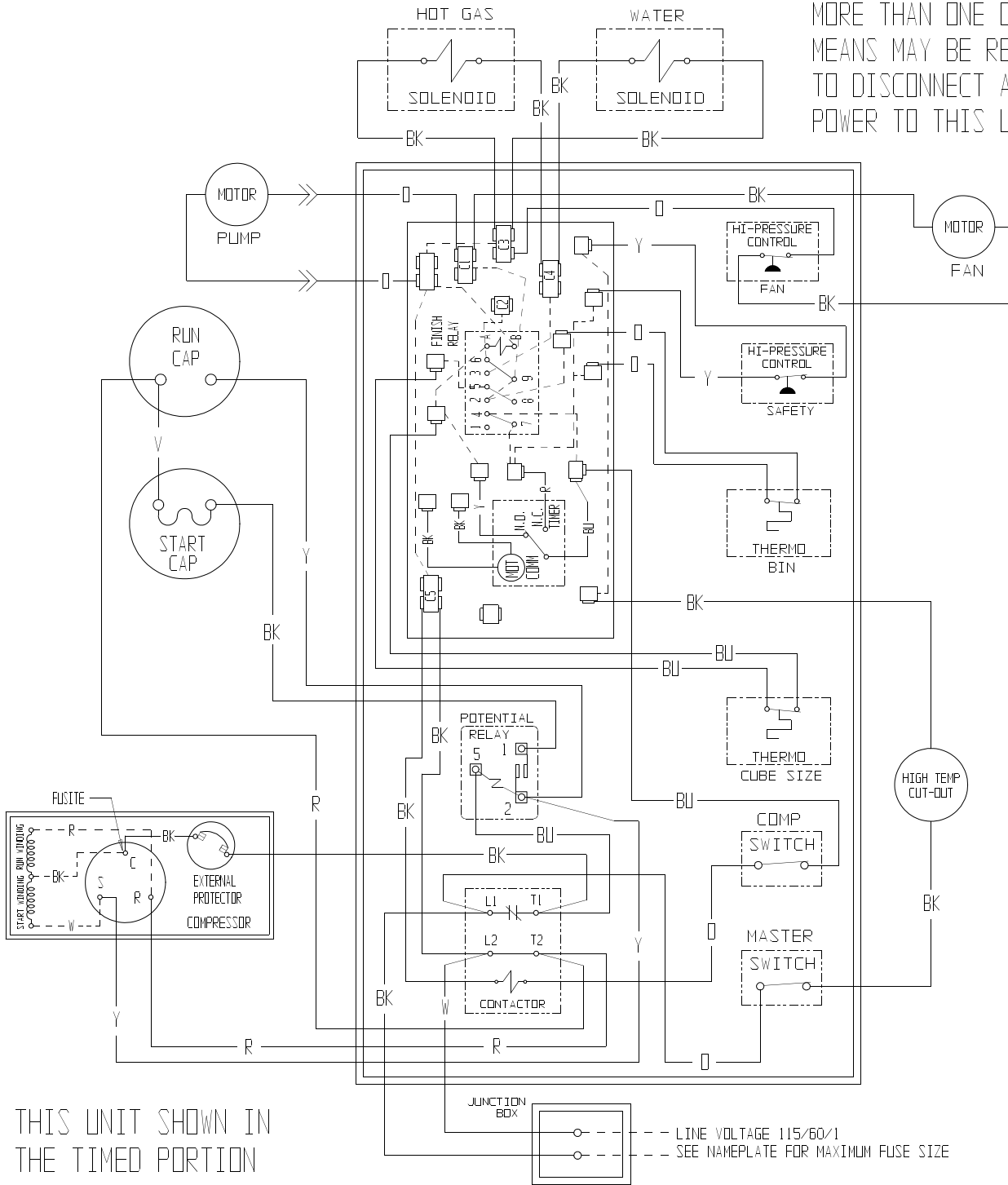
THIS UNIT MUST BE GROUNDED

CME250 SERVICE PARTS

"E" Series Air Cooled Wiring Diagram

A35536-001

CAUTION:
MORE THAN ONE DISCONNECT
MEANS MAY BE REQUIRED
TO DISCONNECT ALL
POWER TO THIS UNIT



THIS UNIT SHOWN IN
THE TIMED PORTION
OF THE FREEZING CYCLE

USE COPPER CONDUCTORS ONLY

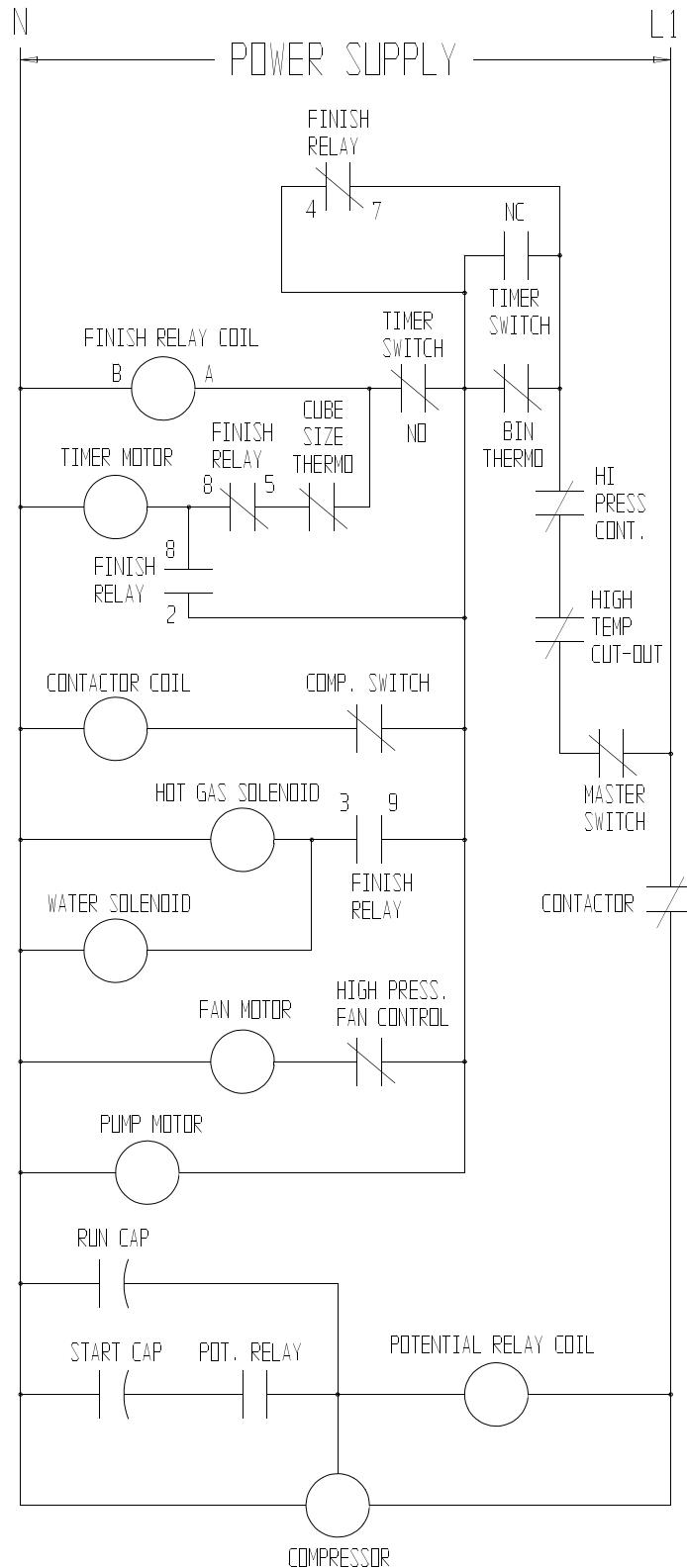
THIS UNIT MUST BE GROUNDING

CME250 SERVICE PARTS

"E" Series Air Cooled Wiring Diagram

CAUTION:

MORE THAN ONE DISCONNECT MEANS MAY BE REQUIRED TO DISCONNECT ALL POWER TO THIS UNIT

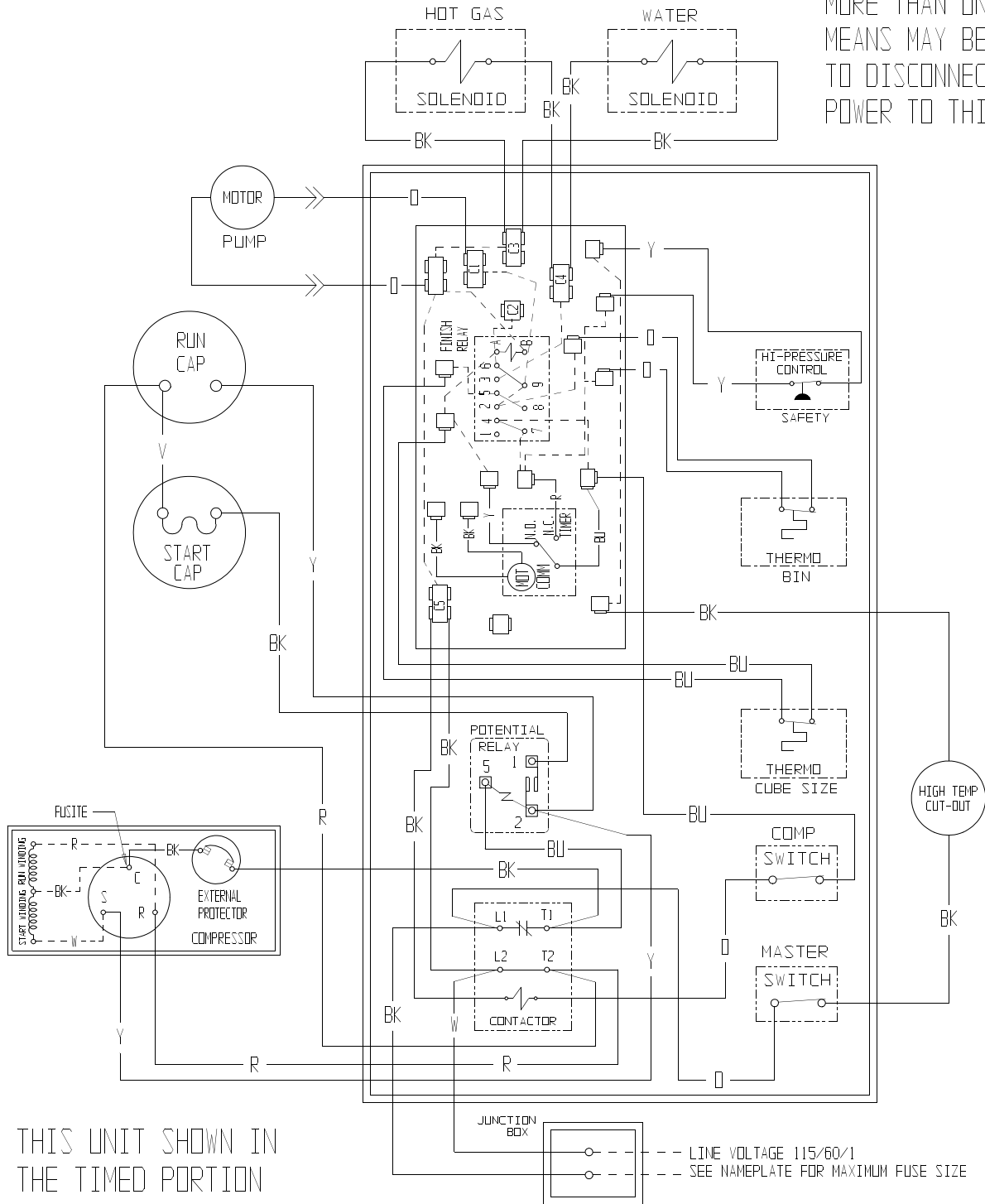


CME250 SERVICE PARTS

"E" Series Water Cooled Wiring Diagram

A35537-001

CAUTION:
MORE THAN ONE DISCONNECT
MEANS MAY BE REQUIRED
TO DISCONNECT ALL
POWER TO THIS UNIT



THIS UNIT SHOWN IN
THE TIMED PORTION
OF THE FREEZING CYCLE

USE COPPER CONDUCTORS ONLY THIS UNIT MUST BE GROUNDED

CME250 SERVICE PARTS

"E" Series Water Cooled Wiring Diagram

CAUTION:

MORE THAN ONE DISCONNECT MEANS MAY BE REQUIRED TO DISCONNECT ALL POWER TO THIS UNIT

