

CME500 SERVICE PARTS

This section contains the parts illustrations and parts lists for the CME500.

CME500 ice machines are manufactured in both 115 volt, 60 cycle and 220 volt, 50 cycle. When ordering electrical parts, be certain to match the voltage to the ice machine.

Example:

CME500AE-1A is a 115 volt, 60 cycle machine.

CME500AE-6A is a 220 volt, 50 cycle machine.

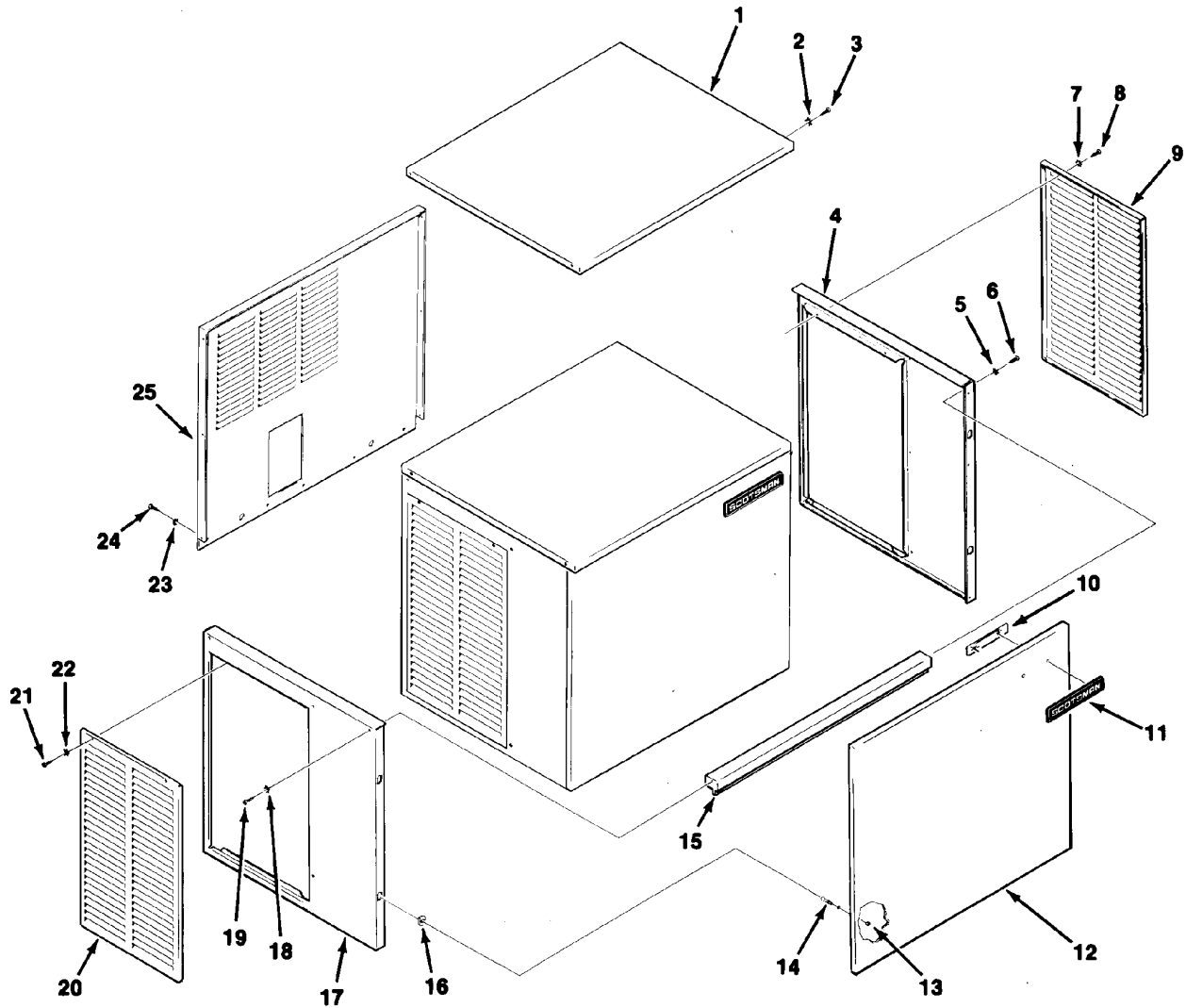
Beginning with 1994 production, the fan motor bracket and condenser shroud were changed.

When ordering parts, to avoid costly delays and errors, give the part number, the complete description as shown in the list, and the quantity of each part or assembly required.

TABLE OF CONTENTS

Exterior Panels	2
Interior Panels	3
Air Cooled Refrigeration	4
Water Cooled Refrigeration	5
Water System	6
Control Box	7
Wiring Diagrams	8

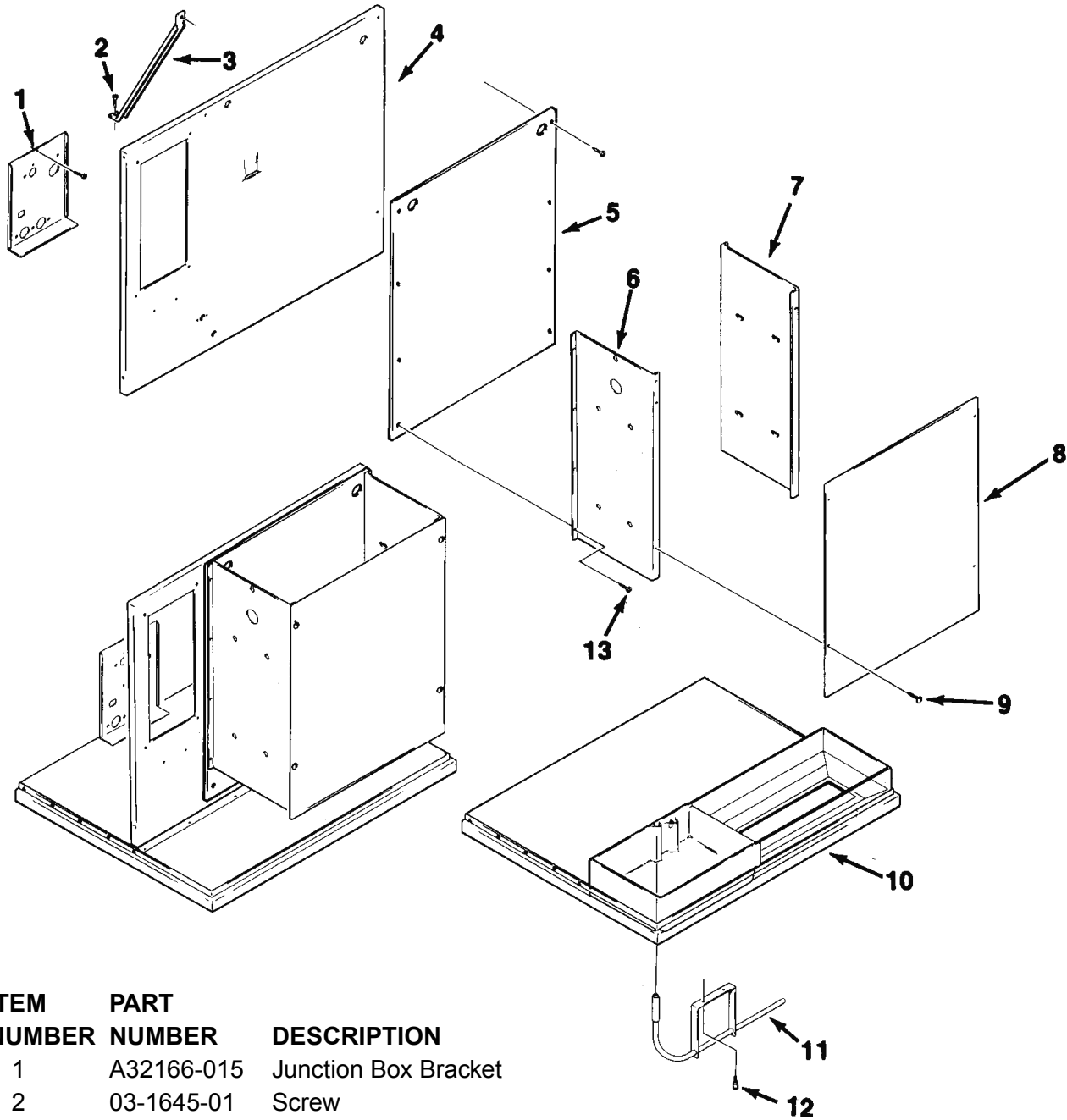
CME500 SERVICE PARTS CABINET ASSEMBLY



ITEM NUMBER	PART NUMBER	DESCRIPTION	ITEM NUMBER	PART NUMBER	DESCRIPTION
1	A32159-001	Top Panel, Painted	13	03-1406-04	Nut
	A32159-002	Top Panel, S. S.	14	15-0411-00	Strike
2	03-1417-03	Lockwasher	15	A32169-001	Front Support
3	03-1531-01	Screw	16	02-0836-00	Cabinet Catch
4	A32162-001	Right End Panel, Paint	17	A32163-001	Left End Panel, Paint
	A32162-002	Right End Panel, S.S.		A32163-002	Left End Panel, S.S.
5	03-1417-03	Lockwasher	18	03-1417-03	Lockwasher
6	03-1531-01	Screw	19	03-1531-01	Screw
7	03-1417-03	Lockwasher	20	A32161-001	Service Panel, sandalwood
8	03-1404-12	Screw		A33946-002	Service Panel, gray
9	A32161-001	Service Panel, Painted	21	03-1404-12	Screw
	A33946-002	Service Panel, gray	22	03-1412-03	Lockwasher
10	03-0271-00	Speed Nut	23	03-1417-03	Lockwasher
11	15-0711-01	Emblem	24	03-1531-01	Screw
12	A32160-001	Front Panel, Painted	25	A32202-001	Back Panel, painted
	A32160-002	Front Panel, S.S.		A32202-002	Back panel, stainless

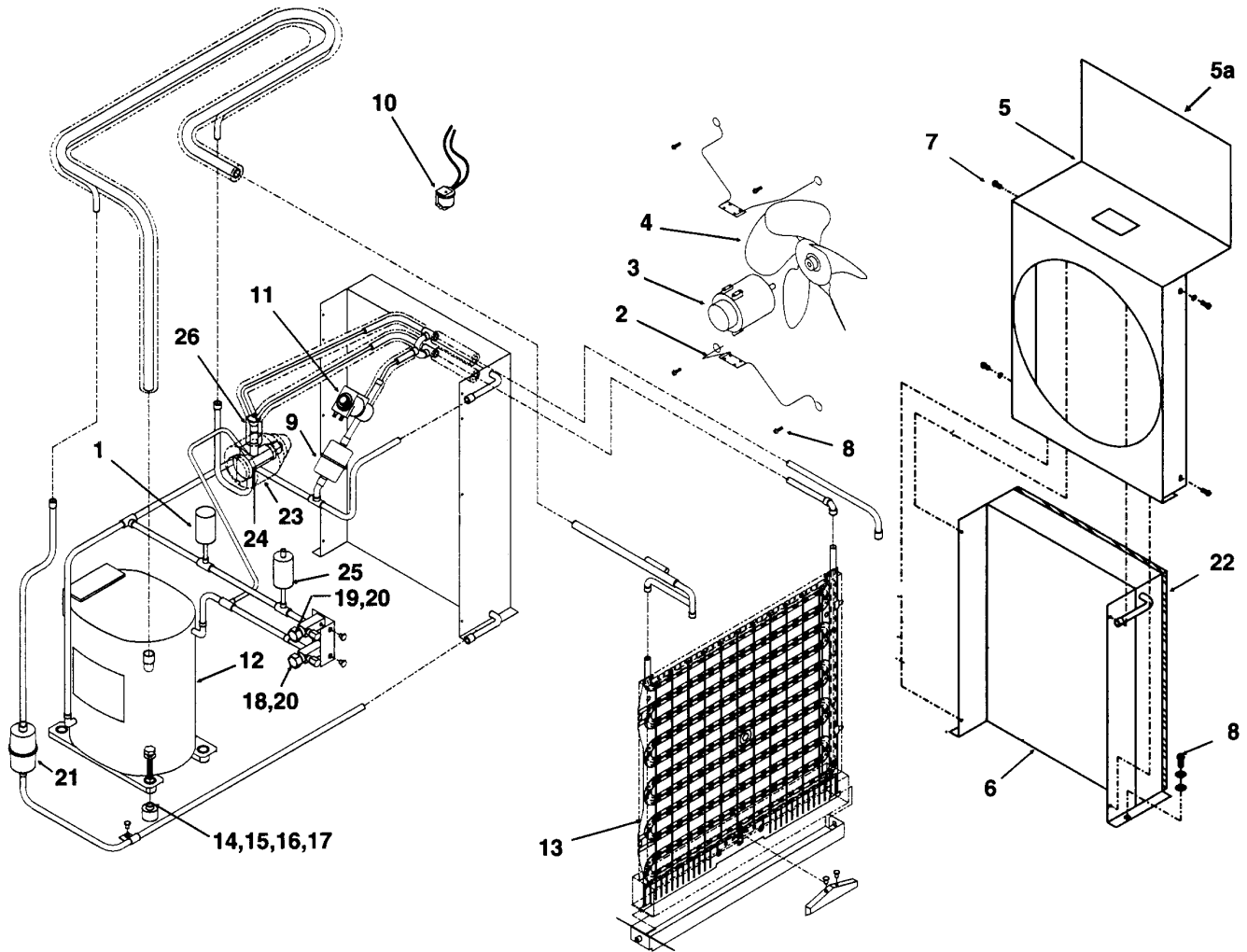
CME500 SERVICE PARTS

CABINET INTERIOR



ITEM NUMBER	PART NUMBER	DESCRIPTION
1	A32166-015	Junction Box Bracket
2	03-1645-01	Screw
3	A32210-001	Support Brace
4	A32158-001	Retainer
5	02-2867-01	Splash Panel
6	A35671-001	Evaporator Bracket, Left
7	A32172-001	Evaporator Bracket, Right
8	02-3246-01	Evaporator Plate Cover
9	03-0727-09	Thumbscrew
10	A32153-001	Base
11	A32262-001	Bin Thermostat Bracket
12	03-0727-09	Thumbscrew
13	03-1531-02	Screw

CME500 SERVICE PARTS AIR COOLED REFRIGERATION

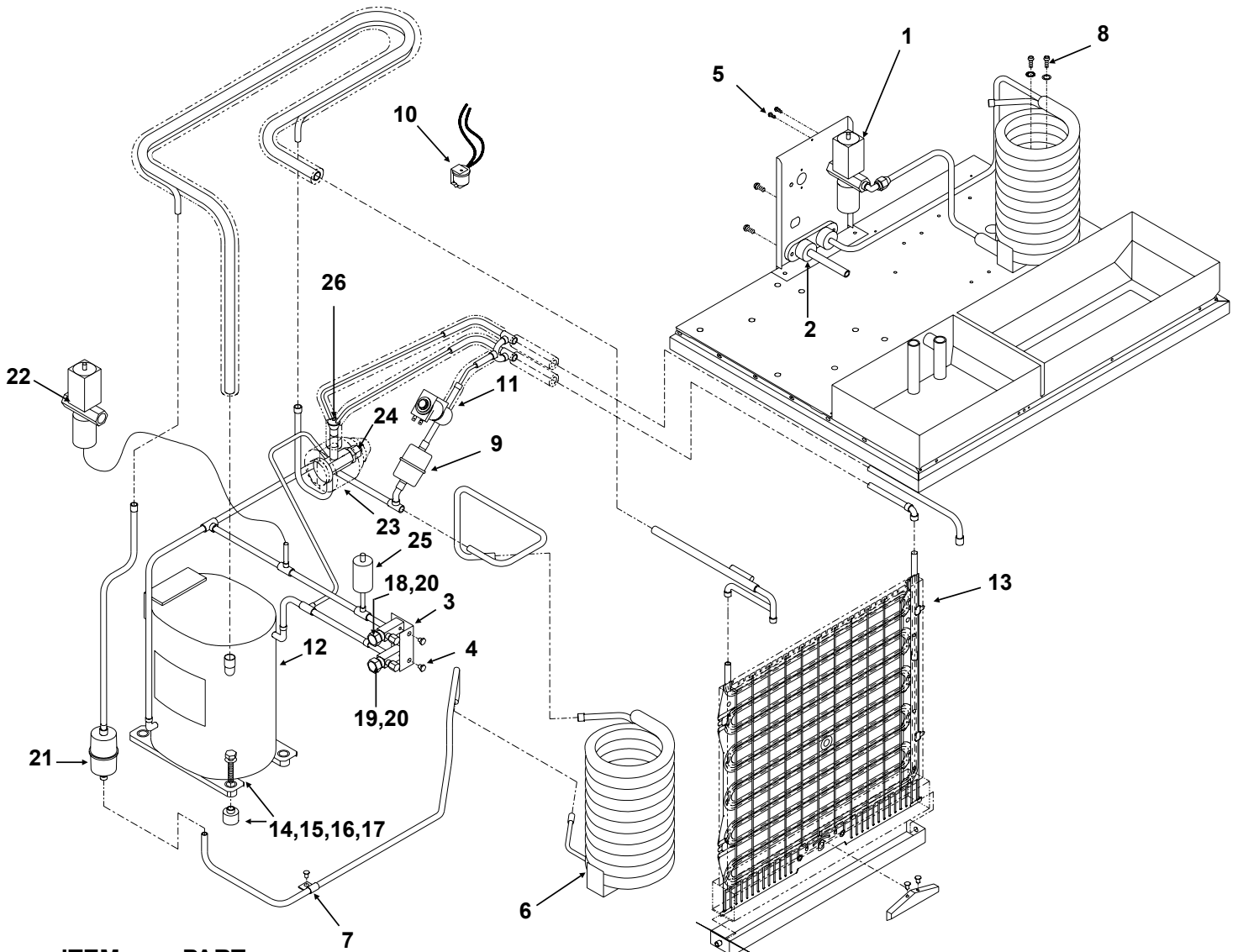


ITEM NUMBER	PART NUMBER	DESCRIPTION	ITEM NUMBER	PART NUMBER	DESCRIPTION
1	11-0479-21	Fan control	12	18-8721-21	115v Compressor, includes drier
2	02-3333-01	Fan motor bracket		18-8711-50	Overload for 60 Hz
	18-3739-01	Fan motor bracket (-12L only)*		18-8721-22	220-240/50/1 Compressor
3	18-5105-11	115v Fan Motor		18-8721-50	Overload for 50 Hz
	18-5105-04	220v 50 Hz Fan motor	13	A30296-020	Evaporator
4	18-3732-01	Fan Blade	14	18-2200-28	Grommet
5	A35932-001	Fan shroud	15	18-2200-27	Sleeve
5a	A35939-001	Fan shroud top	16	03-1407-07	Washer
	A32170-001	Fan shroud (-12L only)*	17	03-1405-20	Screw
6	18-3709-01	Condenser	18	16-0832-20	Lo side access valve (w/caps)
7	03-1404-07	Screw, #6 x 3/8	19	16-0832-21	Hi side access valve (w/caps)
8	03-1645-01	Screw, 1/4 - 20 x 1/2	20	16-0832-02	Stem cap
	03-1410-03	Lockwasher		16-0832-03	Core cap
	03-1407-05	Washer	21	02-3319-02	Drier
9	02-3231-01	Hot gas valve filter (-12L only)*	22	A32975-001	Foam Filter
10	12-2300-03	Hi Temp Cut Out	23	A36067-001	TXV insulation
11	12-2417-21	115v Hot Gas Valve with coil	24	16-0867-21	TXV
	12-2417-23	220v, 50 Hz Hot gas valve coil	25	11-0485-21	Hi Pressure Cut Out Switch
			26	16-0843-01	Distributor

*Only used on units with serial numbers ending in -12L.

CME500 SERVICE PARTS

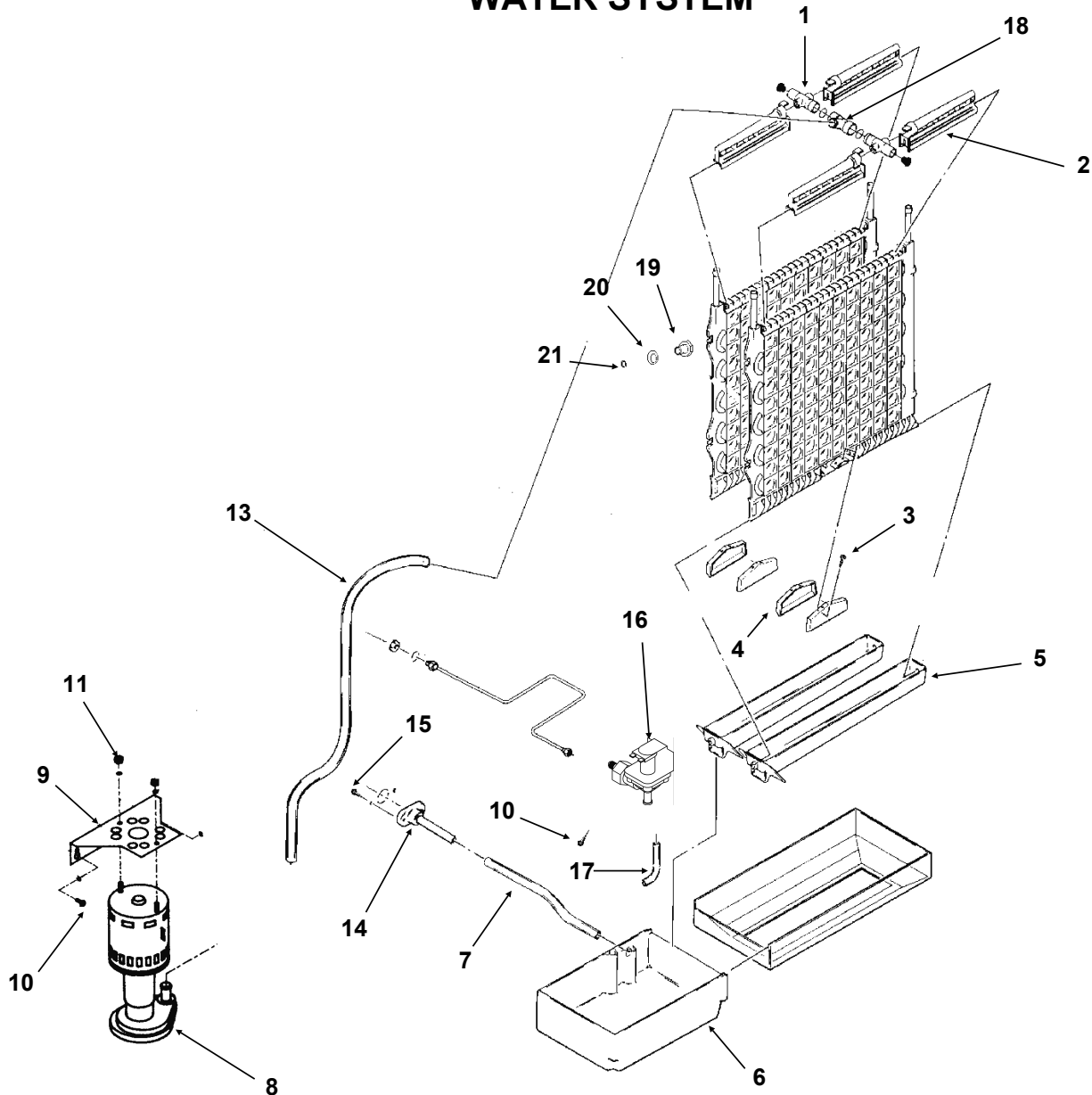
WATER COOLED REFRIGERATION



ITEM NUMBER	PART NUMBER	DESCRIPTION	ITEM NUMBER	PART NUMBER	DESCRIPTION
1	16-0401-00	Brass elbow	13	A30296-020	Evaporator
2	A32244-001	Drain assembly	14	18-2200-28	Grommet
3	A35588-001	Bracket for valves	15	18-2200-27	Sleeve
4	03-0571-02	Screw	16	03-1407-07	Washer
5	03-1403-14	Screw	17	03-1405-20	Screw
6	18-3306-25	Condenser	18	16-0832-20	Lo side access valve (w/caps)
7	03-1682-01	Clamp	19	16-0832-21	Hi side access valve (w/caps)
8	03-1645-01	Screw, 1/4 - 20 x 1/2	20	16-0832-02	Stem cap
	03-1417-08	Lockwasher		16-0832-03	Core cap
9	02-3231-01	Hot gas valve filter (-12L only)*	21	02-3319-02	Drier
10	12-2300-03	Hi Temp Cut Out	22	11-0478-01	Water regulating valve
11	12-2417-21	115v Hot Gas Valve with coil	23	A36067-001	TXV insulation
	12-2417-23	220v, 50 Hz Hot gas valve	24	16-0867-21	TXV
12	18-8721-21	115v Compressor, includes drier	25	11-0486-21	Hi Pressure Cut Out Switch
	18-8711-50	Overload for 60 Hz comp.	26	16-0843-01	Distributor
	18-8721-22	220/240/50/1 Compressor			

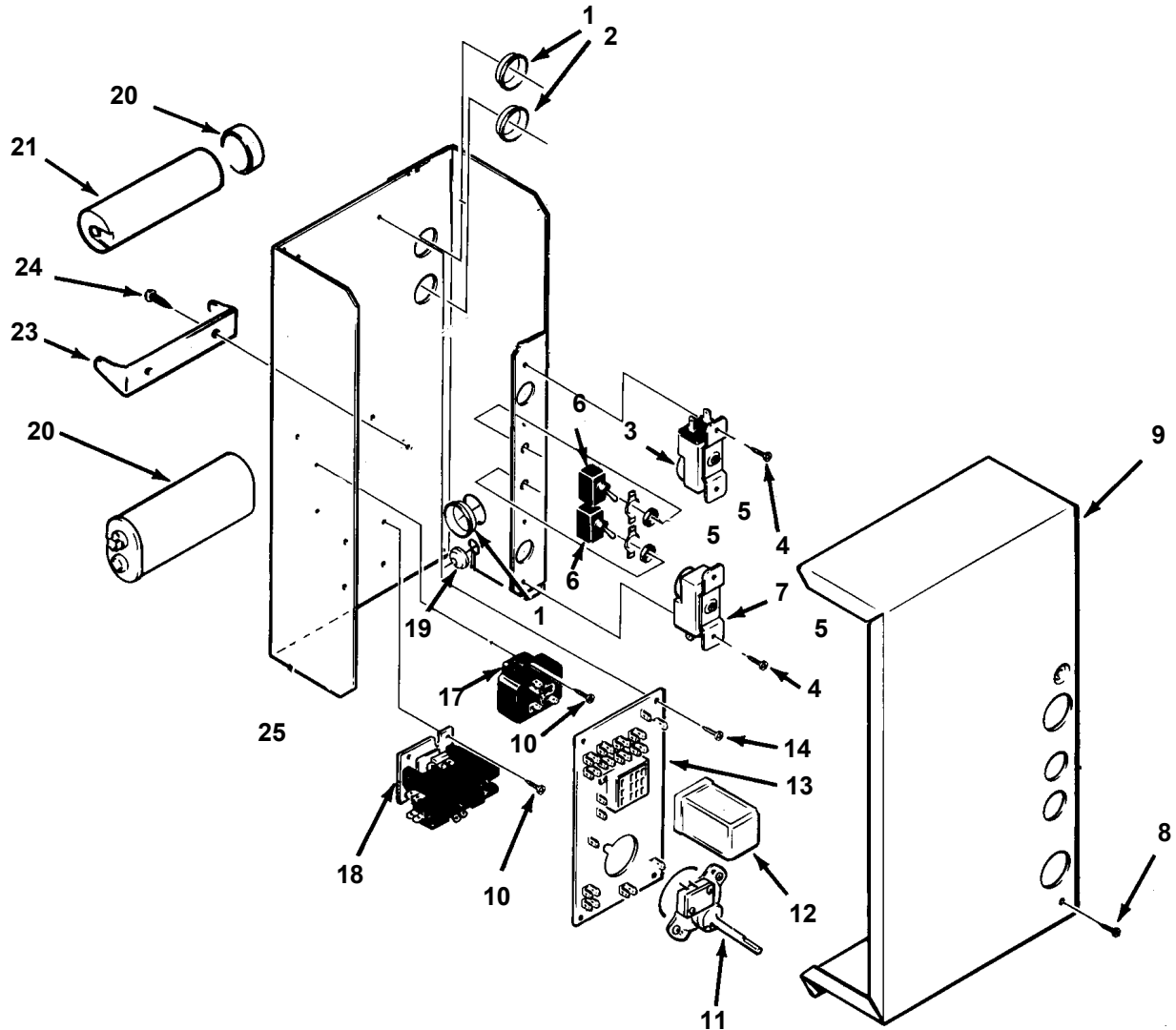
CME500 SERVICE PARTS

WATER SYSTEM



ITEM NUMBER	PART NUMBER	DESCRIPTION	ITEM NUMBER	PART NUMBER	DESCRIPTION
1	A29703-001	Manifold	12	03-1417-06	Lockwasher
2	02-2527-01	Water distributor tube	13	13-0674-07	Pump hose, 33"
3	03-1531-01	Screw	14	A32282-003	Drain assembly
4	02-2878-01	End cover	15	03-1645-01	Screw
5	02-2868-01	Drain trough	16	12-2446-23	115v Inlet water valve
6	02-2869-01	Reservoir		12-2446-24	220v, 50 Hz water valve
7	13-0674-07	Drain hose, 8"	17	A30918-001	Water inlet tube
	02-2814-11	Hose clamp	18	02-2519-01	Tee
8	12-2265-21	115v Water pump	19	02-2642-01	Plate mount
	12-2265-22	220v 50 Hz water pump	20	03-1408-34	Washer
9	A35554-015	Pump bracket	21	03-1394-03	Pal nut
10	03-1531-01	Screw			
11	03-1406-05	Nut			

CME500 SERVICE PARTS CONTROL BOX

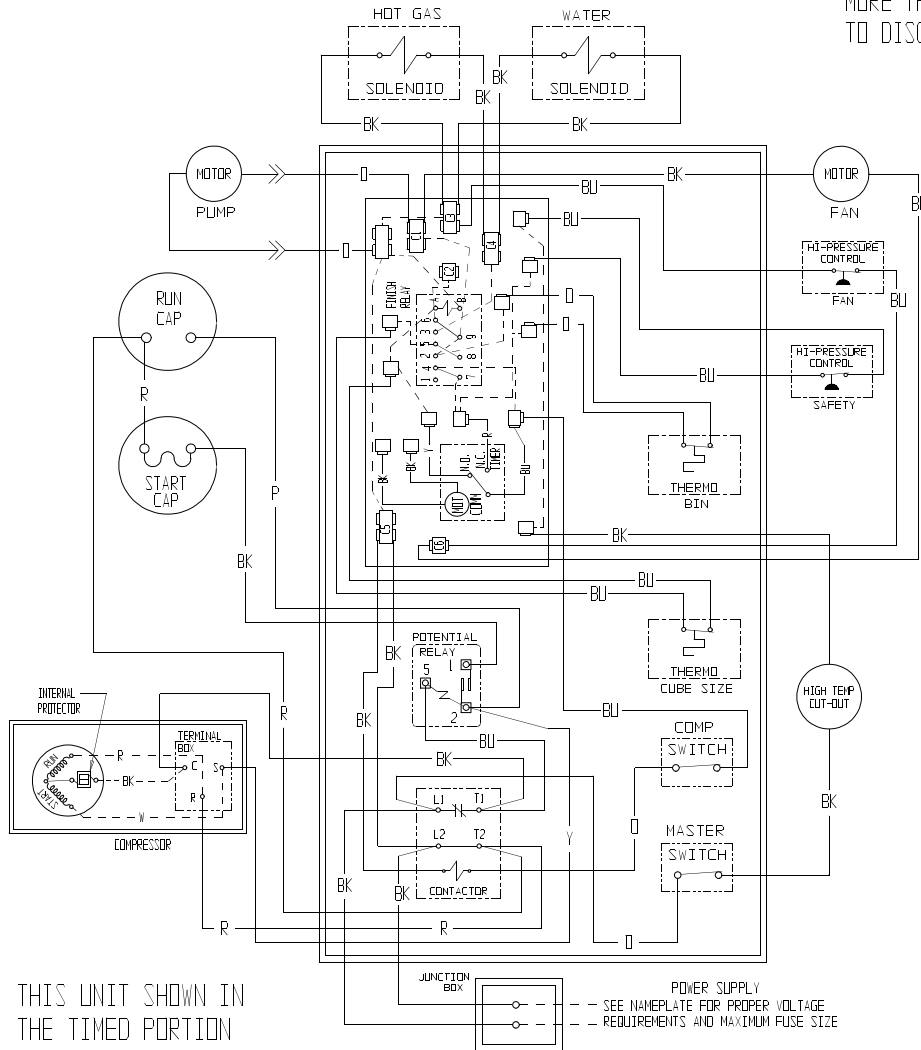


ITEM NUMBER	PART NUMBER	DESCRIPTION	ITEM NUMBER	PART NUMBER	DESCRIPTION
1	12-1213-17	Snap bushing	16	03-1417-03	Lockwasher
2	12-1213-10	Snap bushing	17	18-1903-50	115v Potential relay
3	11-0437-21	Cube size thermostat		18-1903-29	220v 50Hz Potential relay
4	03-1403-17	Screw	18	12-2048-01	115v Contactor
5	03-1417-27	Lockwasher		12-2048-02	220v 50 Hz contactor
6	12-0426-01	Toggle switch	19	12-1213-04	Snap bushing
7	11-0427-22	Bin thermostat	20	18-1902-45	115v Run capacitor
8	03-1531-01	Screw		18-1902-30	220v 50 Hz Run capacitor
9	A32168-001	Control Box Cover		13-0666-00	Cap for run capacitor
10	03-1638-03	Screw		A32872-001	Clamp for run capacitor
11	12-2317-21	115v Timer & Switch	21	18-1901-03	115v Start capacitor
	12-2317-26	220v 50 Hz Timer & Switch		18-1901-43	220v Start capacitor
12	12-1879-02	Relay, 115 V	22	18-2200-38	Cap for start capacitor
	12-1879-03	Relay, 220v, 50 Hz	23	18-2200-39	Bracket for start capacitor
13	12-1912-01	Circuit Board	24	03-1418-06	Screw
14	03-1403-02	Screw	25	03-1406-06	#10 Hex nut
15	03-1403-05	Screw			

CME500 SERVICE PARTS AIR COOLED 115v, 60 Hz WIRING DIAGRAM

A35661-032

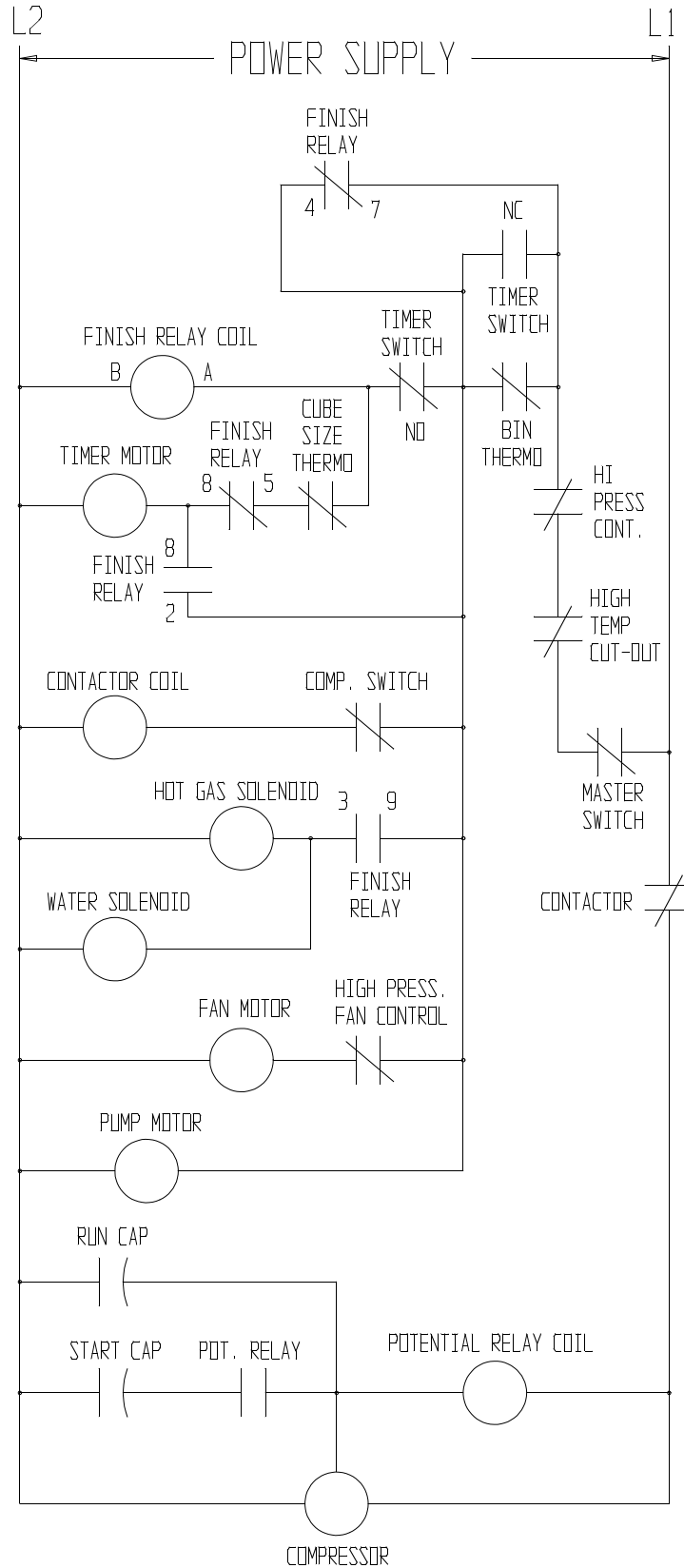
CAUTION:
MORE THAN ONE DISCONNECT MEANS MAY BE REQUIRED
TO DISCONNECT ALL POWER TO THIS UNIT



THIS UNIT SHOWN IN
THE TIMED PORTION
OF THE FREEZING CYCLE

USE COPPER CONDUCTORS ONLY

CME500 SERVICE PARTS AIR COOLED 115v, 60 Hz SCHEMATIC DIAGRAM

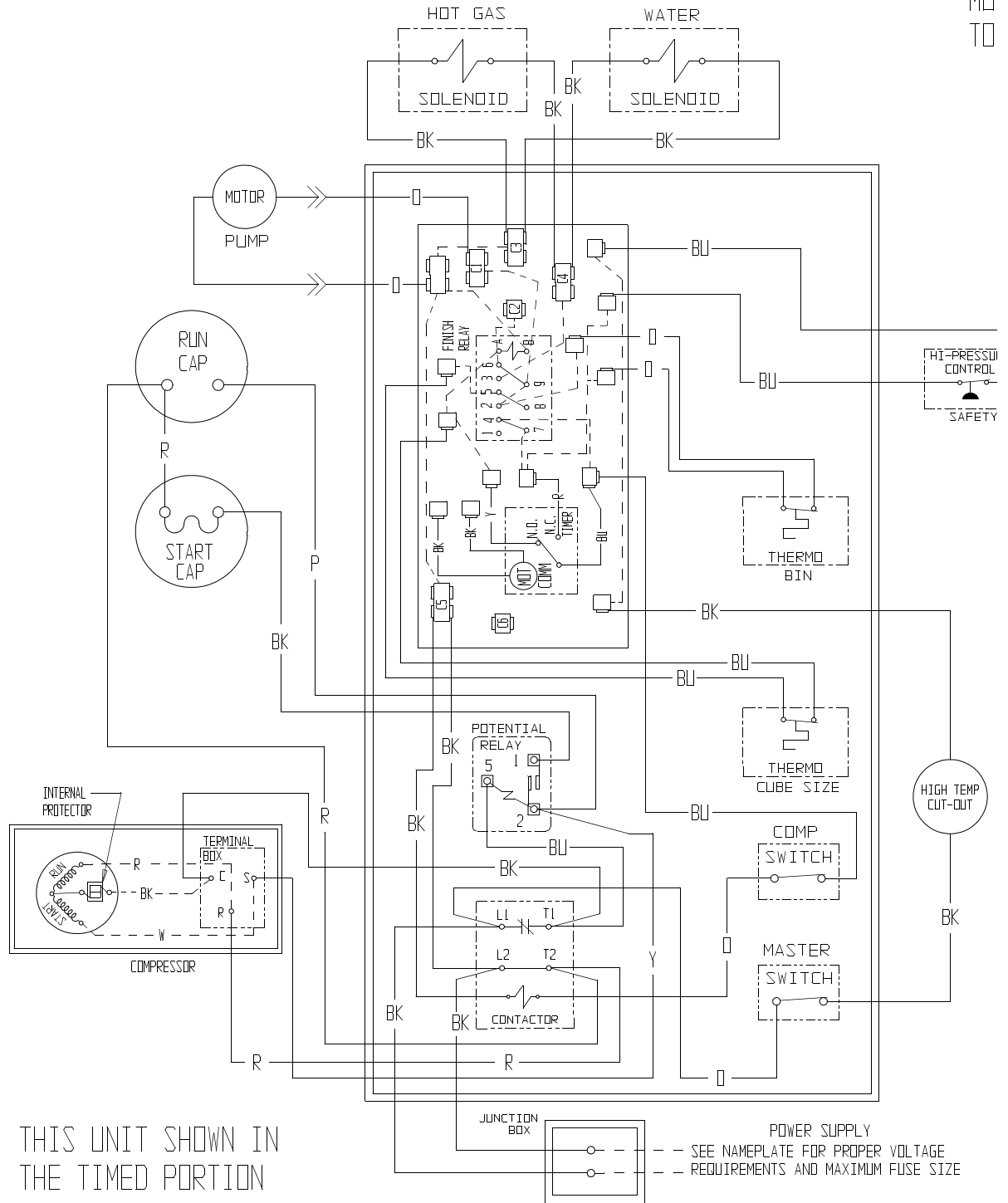


THIS UNIT MUST BE GROUNDED

CME500 SERVICE PARTS WATER COOLED 115v, 60 Hz WIRING DIAGRAM

A35662-032

CA
MO
TO



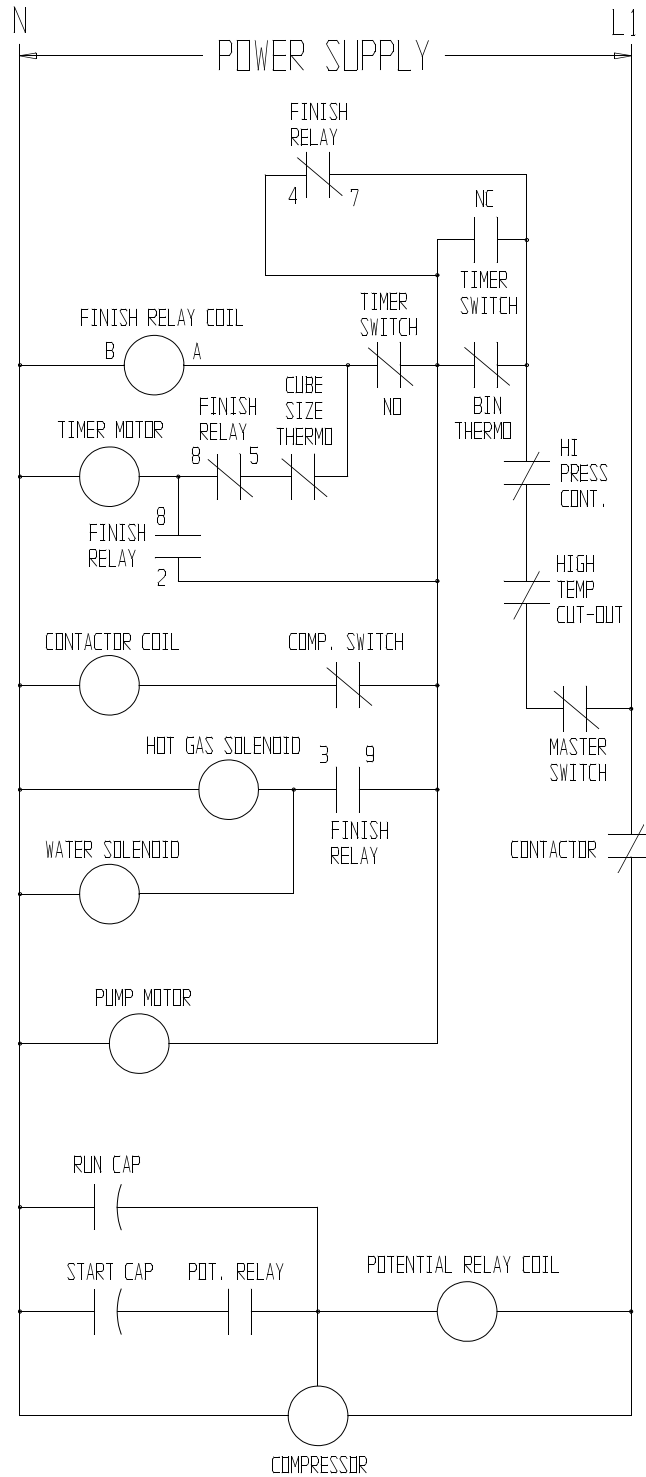
THIS UNIT SHOWN IN
THE TIMED PORTION
OF THE FREEZING CYCLE

USE COPPER CONDUCTORS ONLY

CME500 SERVICE PARTS WATER COOLED 115v, 60 Hz SCHEMATIC DIAGRAM

CAUTION:

MORE THAN ONE DISCONNECT MEANS MAY BE REQUIRED
TO DISCONNECT ALL POWER TO THIS UNIT



THIS UNIT MUST BE GROUNDED