

CU50 Service Parts

This is the illustrated parts list for the CU50 Cube Ice Machines

When ordering a service part, always refer to the complete model number of the equipment being repaired to be sure of obtaining the correct part. Many times there are slight differences between models, and having the complete model number will aide in selecting the correct part.

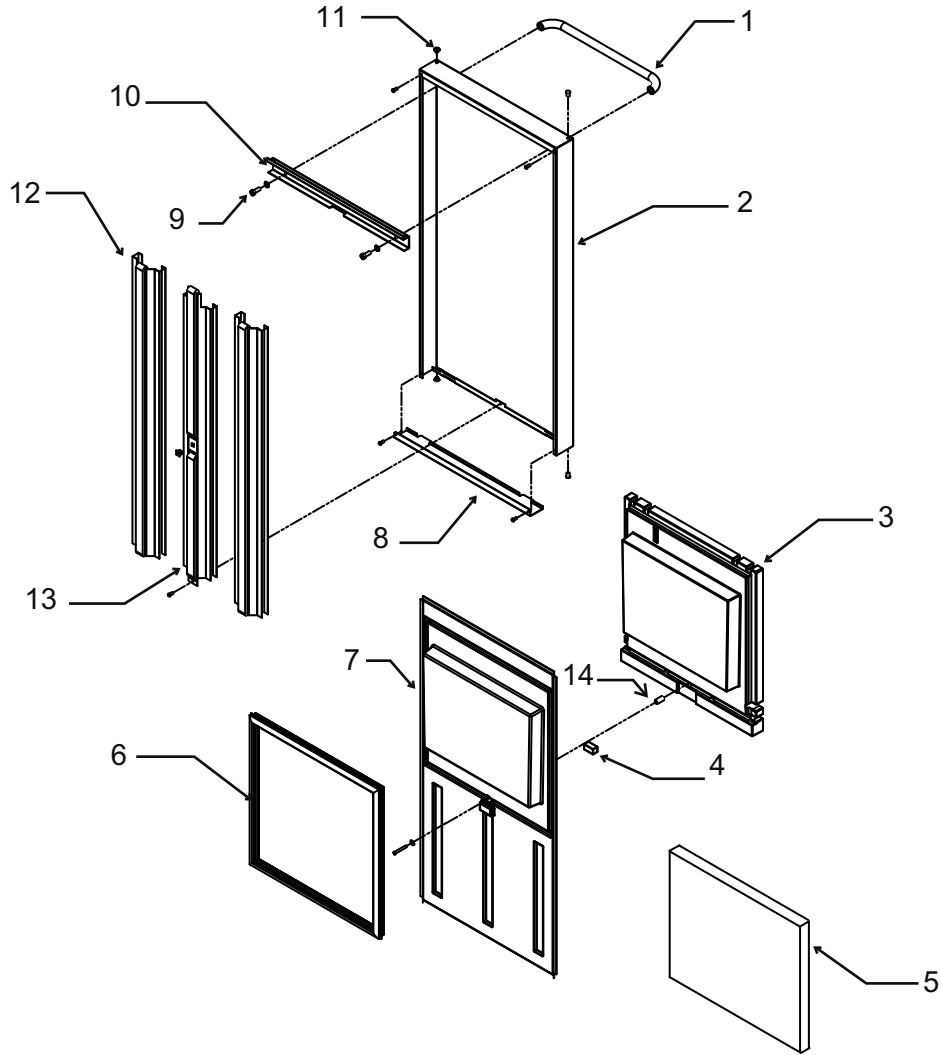
The cabinet changed in November 2014 to include a service panel.

Table of Contents

| | |
|------------------------------------|--------|
| Door Components | Page 2 |
| Cabinet | Page 3 |
| Reservoir and Spray Pump | Page 4 |
| Refrigeration | Page 5 |
| Under Bin Parts | Page 6 |
| Control System | Page 7 |
| Schematic Diagram | Page 8 |
| Wiring Diagram | Page 9 |

CU50 Service Parts

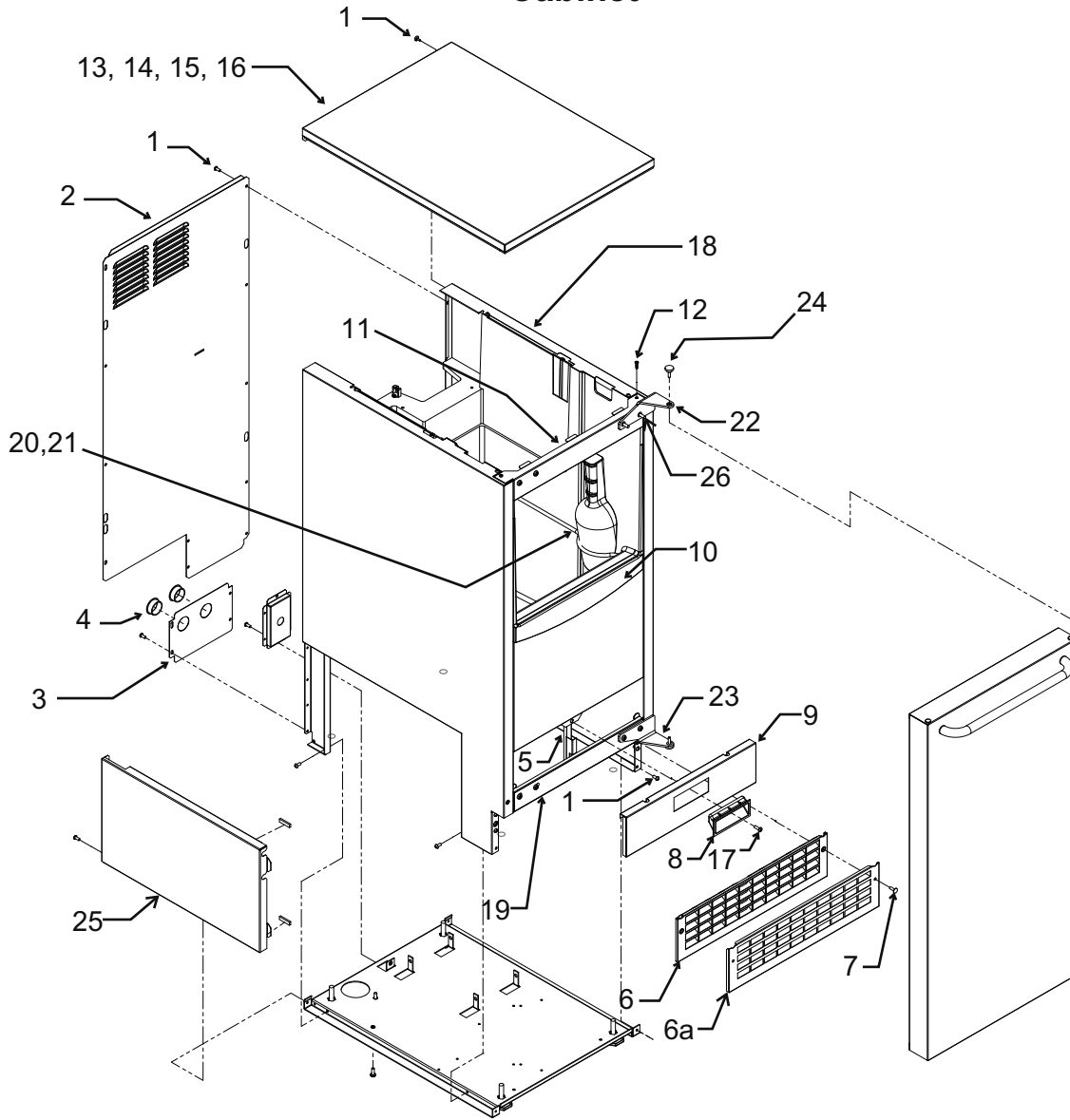
Door Components



| Item Number | Part Number | Description |
|-------------|-------------|--|
| 1 | 02-3847-01 | Handle, door |
| 2 | A39678-001 | Door panel |
| 3 | 02-4445-01 | Insulation, upper |
| 4 | 11-0587-01 | Magnet, door |
| 5 | 02-4570-01 | Insulation, lower |
| 6 | 13-0949-03 | Door gasket |
| 7 | 02-4569-01 | Liner, door |
| 8 | A39676-001 | Door bottom |
| 9 | 03-3814-02 | Screw, handle |
| 10 | A39675-001 | Bracket, door handle |
| 11 | 03-3927-01 | Bushing, door hinge, same on bottom |
| 12 | A39677-001 | Door support |
| 13 | A39677-002 | Door support, center |
| 14 | 03-3926-01 | Spacer |
| 15 | A39860-001 | Complete door, assembled. Includes all above parts |

CU50 Service Parts

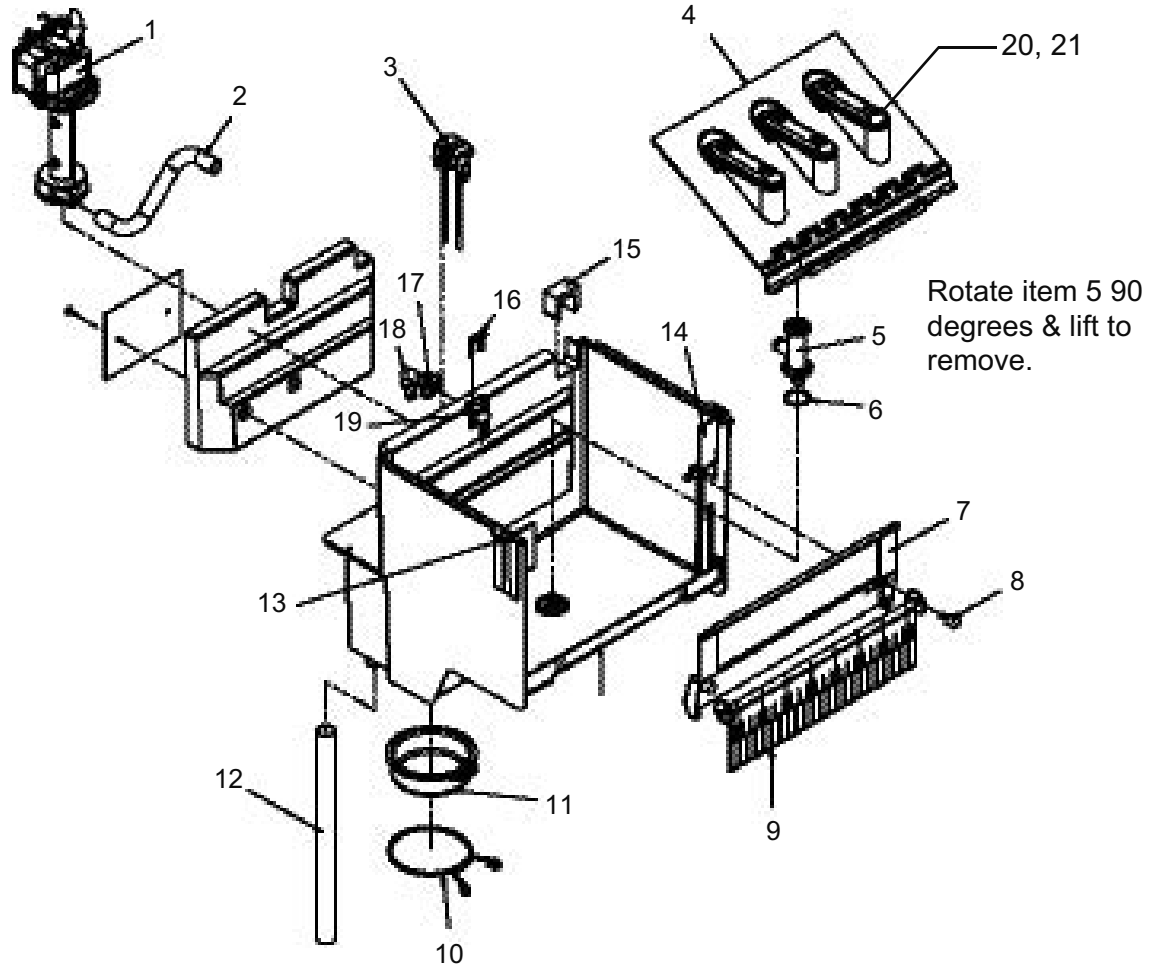
Cabinet



| Item Number | Part Number | Description | Item Number | Part Number | Description |
|-------------|-------------|-------------------------|-------------|-------------|-----------------------------|
| 1 | 03-1531-01 | Screw | 12 | 03-3836-03 | Screw |
| 2 | A39363-001 | Back panel | 13 | 02-4438-01 | Gasket - for edges |
| 3 | A39389-001 | Utility routing bracket | 14 | 02-4438-02 | Gasket strip - across |
| 4 | 12-1213-11 | Snap bushing | 15 | 02-4426-01 | Insulation pad |
| 5 | A39392-001 | Srv panel mntg bracket | 16 | A39362-003 | Top panel, SS |
| 6 | 02-4390-01 | Kickplate | 17 | 03-1403-86 | Screw |
| 6a | A39469-001 | SS kickplate | 18 | A39618-002 | SS cabinet & bin |
| 7 | 03-1403-86 | Screw | 19 | A39700-001 | Bottom hinge panel, SS |
| 8 | 02-4441-01 | Panel handle | 20 | A34816-001 | Bin stat bracket/scoop hldr |
| 9 | A39381-003 | Service panel, SS | 21 | 02-4391-03 | Scoop |
| 10 | 02-4392-01 | Bin edging | 22 | 02-4568-02 | Hinge |
| 11 | A39699-001 | Top hinge panel, SS | 23 | 02-4568-01 | Hinge |
| | | | 24 | 03-3834-01 | Pin, hinge |
| | | | 25 | A39615-001 | Service panel |
| | | | 26 | 03-3818-01 | Hinge mounting screw |

CU50 Service Parts

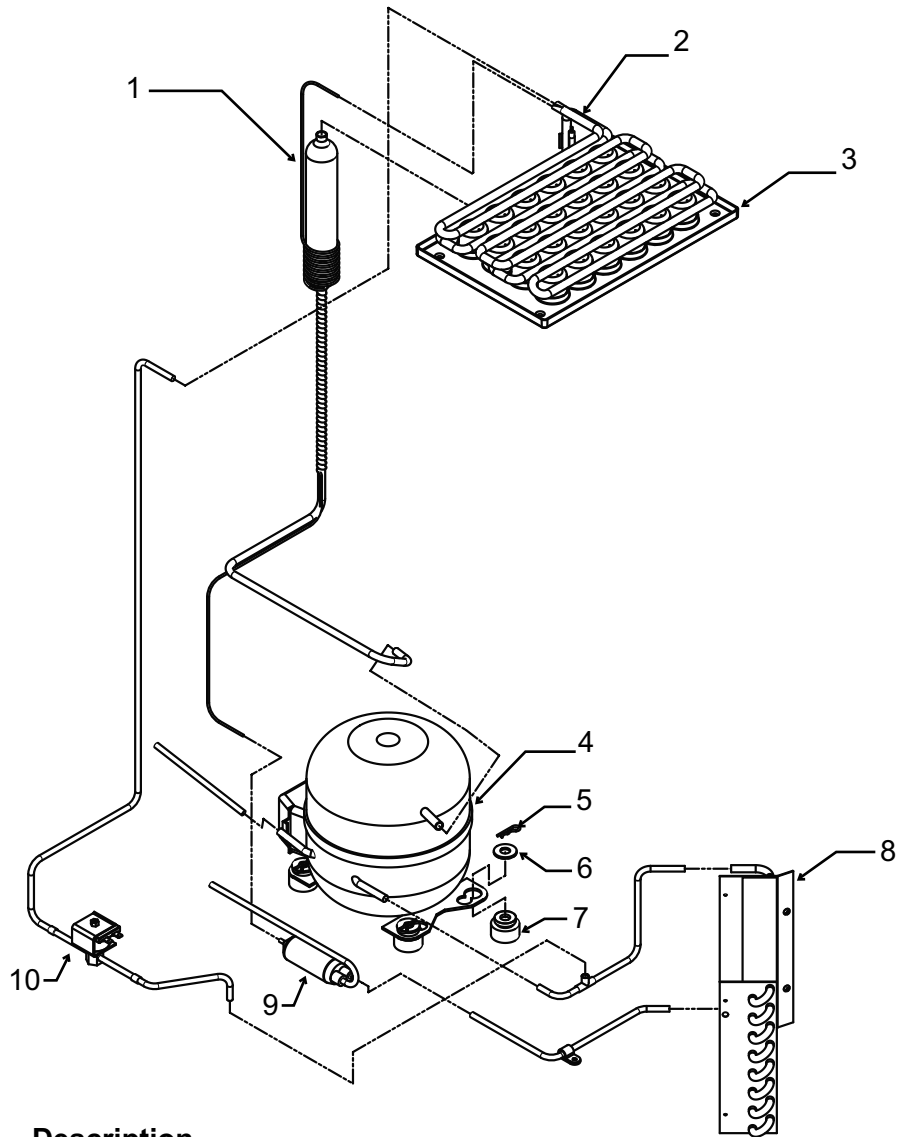
Reservoir and Spray Pump




| Item Number | Part Number | Description |
|-------------|-------------|--|
| 1 | 12-2986-21 | Water pump, incl item 1a |
| 1a | 02-1719-00 | Fan Blade |
| 2 | 02-4379-01 | Pump discharge hose |
| 3 | A39030-023 | Water probe |
| 4 | 02-4371-03 | Spray platform |
| 5 | 02-4368-01 | Water Tee |
| 6 | 13-0617-11 | O-ring |
| 7 | 02-4365-01 | Front bracket |
| 8 | 03-3892-01 | Thumb screw |
| 9 | A39357-001 | Curtain |
| 10 | 02-4383-01 | Clamp |
| 11 | 02-4369-01 | Drain cap |
| 12 | 02-4428-01 | Drain tube |
| 13 | 02-4375-01 | Evap bracket, left |
| 14 | 02-4375-02 | Evap bracket, right |
| 15 | 02-4475-01 | Grommet |
| 16 | 02-4381-03 | Clip |
| 17 | 13-0617-04 | O-ring |
| 18 | 02-4381-01 | Barbed fitting |
| 19 | 02-4381-02 | Spout |
| 20 | 02-4373-01 | O-ring |
| 21 | 02-4370-21 | Spray nozzle, kit. Set of 3 nozzles, o-rings, screws and nuts. |

CU50 Service Parts

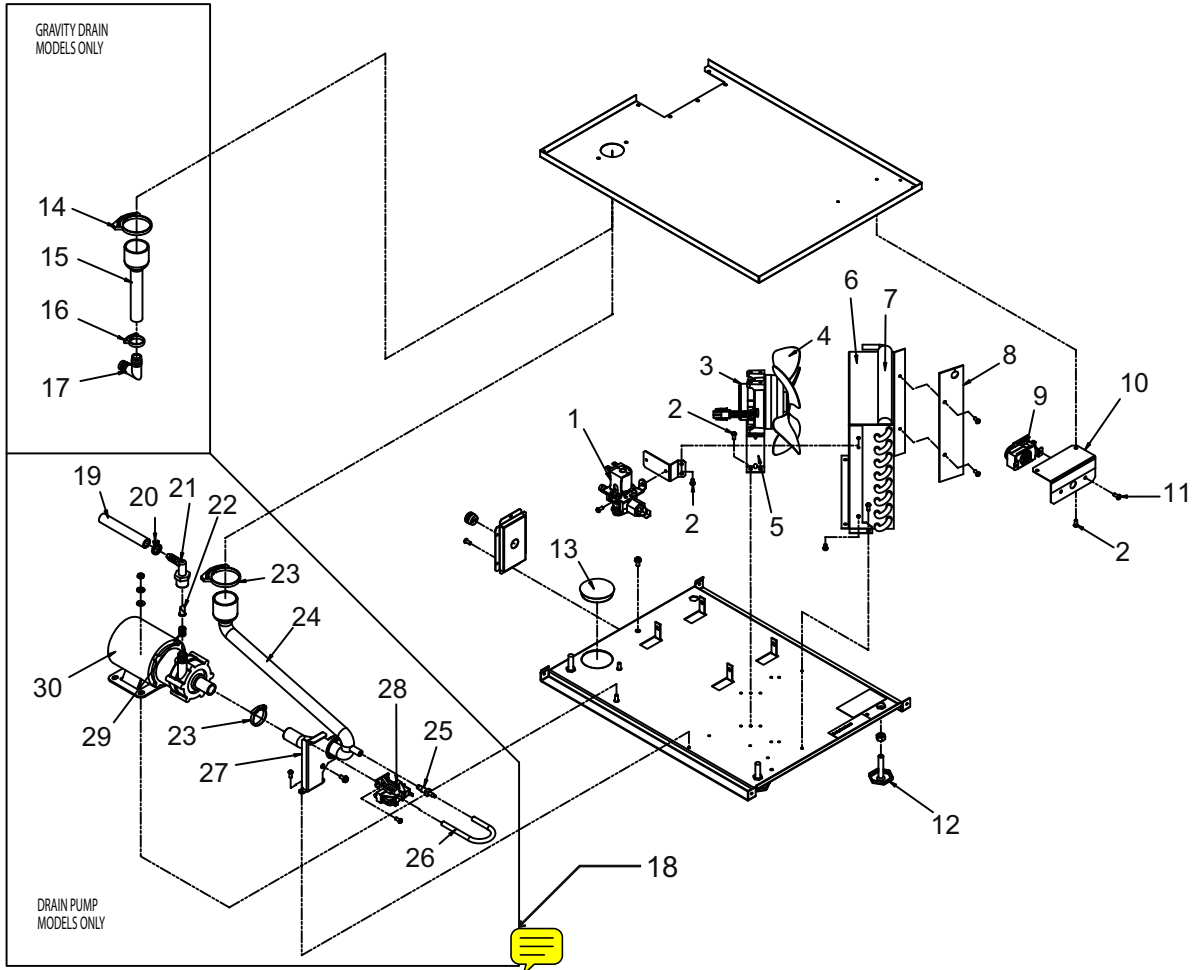
Refrigeration



| Item Number | Part Number | Description |
|---|-------------|--|
| 1 | A39384-001 | Suction line accumulator assy |
| 2 | 11-0577-01 | Thermistor  |
| 3 | 02-4376-03 | Evaporator |
| 4 | 18-8939-21 | Compressor |
| Compressor includes overload, relay and drier | | |
| 4a | 18-8939-51 | Overload |
| 4b | 18-8939-52 | Relay |
| 5 | 03-3821-01 | Clip |
| 6 | 03-1407-08 | Washer |
| 7 | 18-4700-28 | Grommet |
| 8 | 18-8940-01 | Condenser |
| 9 | 02-4416-01 | Drier |
| 10 | 11-0562-21 | Hot gas valve |
| 10a | 11-0562-22 | HGV coil |

CU50 Service Parts

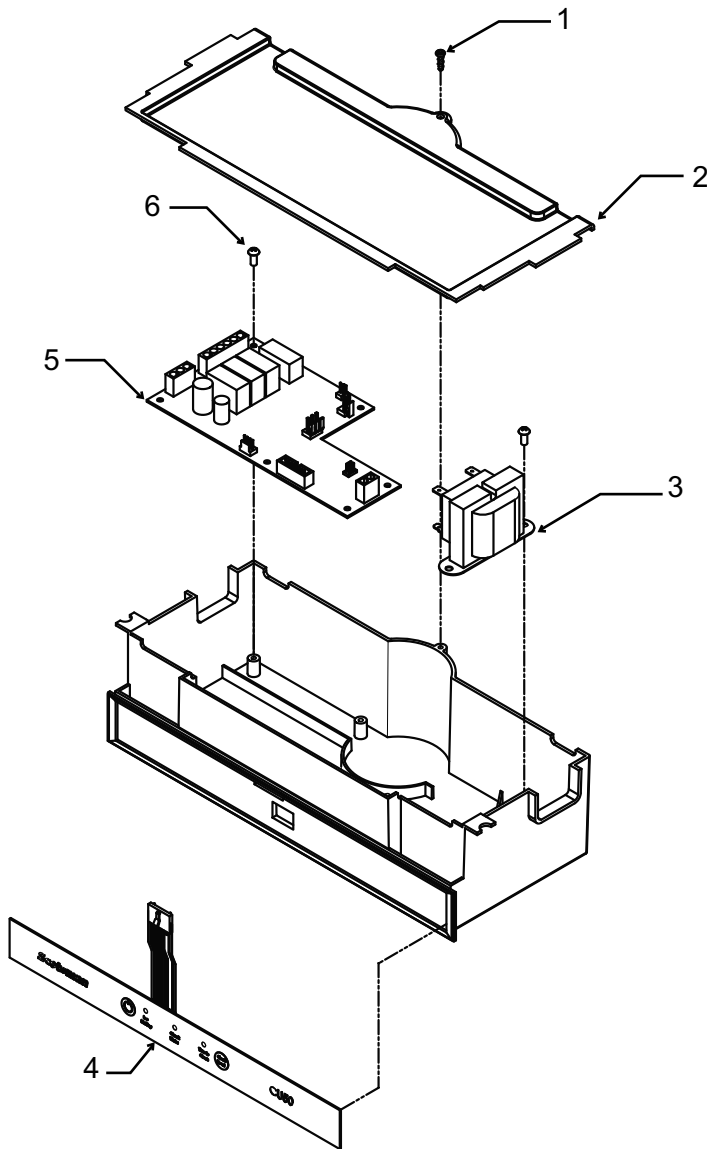
Under Bin Parts



| Item Number | Part Number | Description |
|-------------|-------------|------------------------------|
| 1 | 12-2990-01 | Inlet water sol valve |
| 2 | 03-1531-01 | Screw |
| 3 | 12-3024-01 | Fan motor |
| 4 | 02-4197-01 | Fan blade |
| 5 | A39556-001 | Fan motor bracket |
| 6 | A39460-001 | Fan shroud |
| 7 | 13-0909-01 | Gasket, order 1 & cut to fit |
| 8 | 02-4450-01 | Air baffle |
| 9 | 11-0617-21 | Thermostat |
| 10 | A39379-001 | Thermostat bracket |
| 11 | 03-1403-16 | Screw |
| 12 | 03-1608-01 | Leg leveler |
| 12a | 02-4415-01 | Leg cap |
| 13 | 02-1875-18 | Hole plug |
| 14 | 02-2814-13 | Hose clamp |
| 15 | 02-4412-01 | Drain hose |
| 16 | 02-2814-08 | Hose clamp |
| 17 | 16-0671-01 | Elbow |
| 18 | A39462-021 | Pump kit |
| 19 | A37334-001 | Discharge hose |
| 20 | 02-0534-02 | Hose clamp |
| 21 | 02-3522-01 | Elbow |
| 22 | 02-3374-01 | Check valve |
| 23 | 02-2814-13 | Hose clamp |
| 24 | 02-4413-01 | Drain tube |
| 25 | 02-3406-01 | Barbed connector |
| 26 | 05-0591-01 | Switch hose |
| 27 | A39370-001 | Switch bracket |
| 28 | 11-0504-01 | Pressure switch |
| 29 | 03-3904-01 | Spring |
| 30 | 12-2503-21 | Pump & motor only |

CU50 Service Parts

Control System



| Item Number | Part Number | Description |
|-------------|-------------|--------------|
| 1 | 03-3836-03 | Screw |
| 2 | 02-4386-01 | Cover |
| 3 | 12-2924-01 | Transformer |
| 4 | 11-0588-01 | Switch panel |
| 5 | 11-0573-25 | Controller |
| 6 | 03-1531-01 | Screw |

Not Shown:

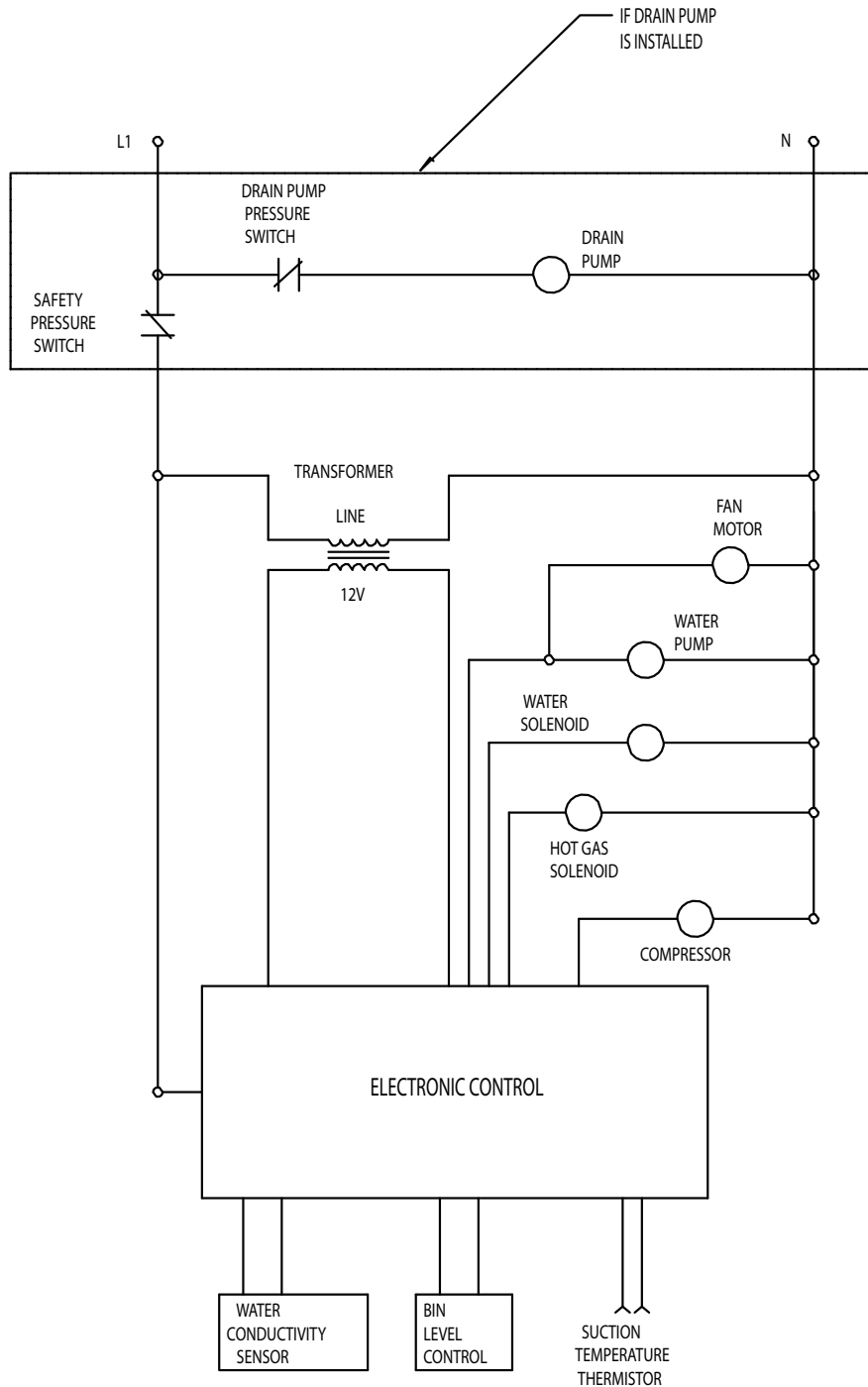
| | | |
|-----|------------|---------------------------|
| NS1 | 12-3003-01 | Bin stat harness |
| NS2 | 12-3000-02 | Hi voltage harness, lower |
| NS3 | 12-3000-01 | Hi voltage harness, upper |

Note: If replacing the lower harness, always replace the upper one too.

| | | |
|-----|------------|----------------------|
| NS4 | 12-2992-01 | Water sensor harness |
|-----|------------|----------------------|

CU50 Service Parts

Schematic Diagram



SWITCHES ON THIS UNIT
SHOWN IN FREEZE CYCLE
WITH DRAIN PUMP IN OPERATION
AND BIN DOOR CLOSED

CU50 Service Parts

Wiring Diagram

