

Prodigy Eclipse ECC, EH330 and EH430 C or D Service Parts

This part list contains the service parts for the Eclipse 1200, 1400, and 1800 systems. D series models began early 2015

The models that are covered include:

EH330 C & D

EH430 C & D

ECC1200

ECC1400

ECC1800

Contents

Head voltage is independent of the condensing unit voltage.

Voltage codes:

-1 = 115/60/1

-3 = 208-230/60/3

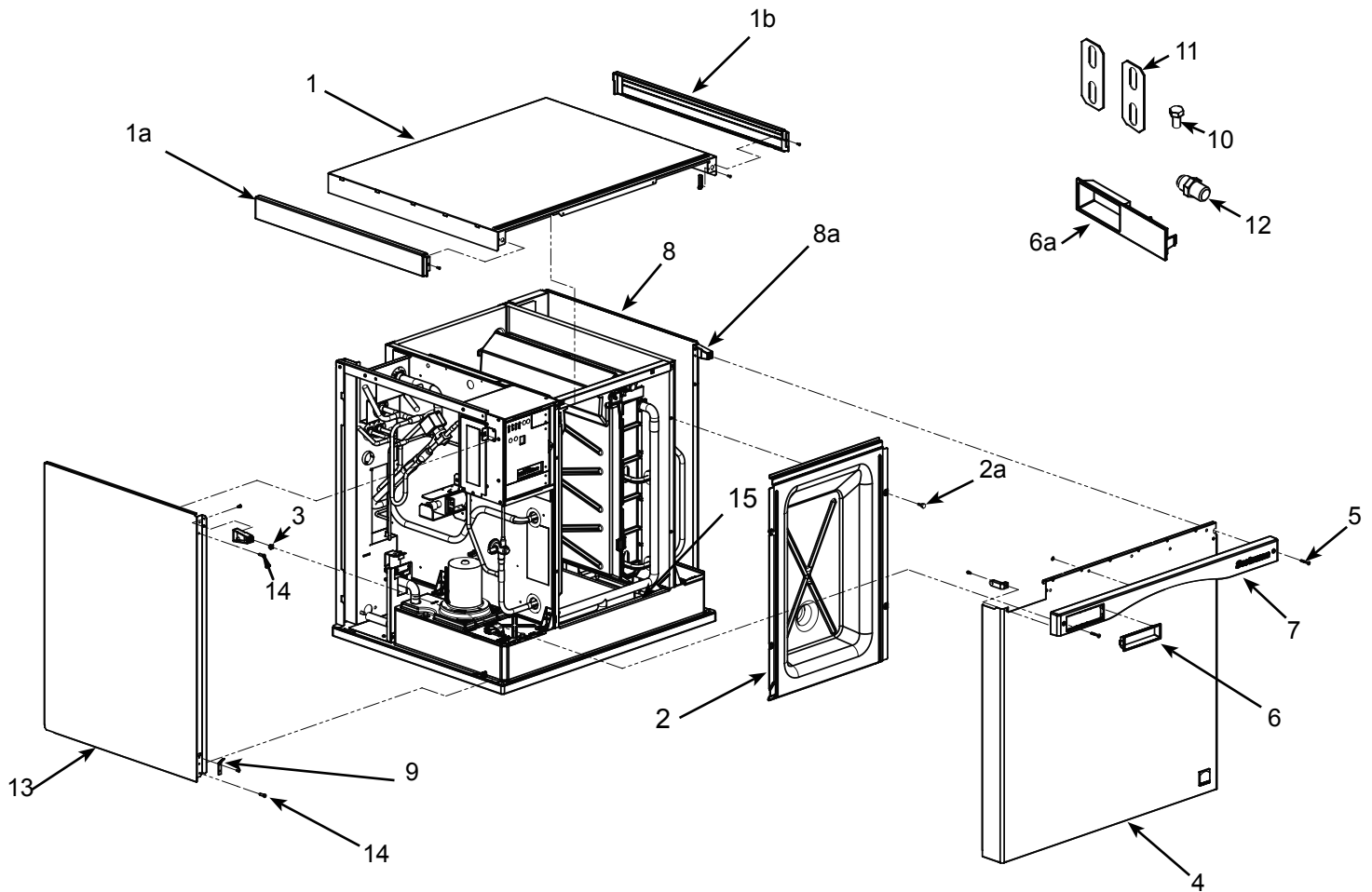
-6 = 230/50/1

-32 = 208-230/60/1

EH330 C Cabinet.....	2
EH430 C Cabinet.....	3
EH330 D Cabinet.....	4
EH430 D Cabinet.....	5
EH330 EH430 C or D Interior Parts.....	6
EH330 and EH430 C or D Refrigeration.....	7
EH330 C or D Evaporator Compartment.....	8
EH430 C or D Evaporator Compartment.....	9
EH330 or EH430 C or D Electrical	10
ECC Cabinet and Fan	11
ECC Refrigeration Components.....	12
ECC Compressors.....	13
ECC1200, ECC1410 and ECC1800 Control Box.....	14
EH330 C or EH430 C Schematic Diagram.....	15
EH330 C or EH430 C Wiring Diagram	16
EH330 D or EH430 D Schematic Diagram.....	17
EH330 D or EH430 D Wiring Diagram	18
ECC1200 and ECC1410 Single Phase Wiring Diagram	19
ECC1200 and ECC1410 Single Phase Schematic Diagram.....	20
ECC1200, ECC1410 and ECC1800 Three Phase Wiring Diagram	21
ECC1200, ECC1410 and ECC1800 Three Phase Schematic Diagram.....	22

Prodigy Eclipse ECC, EH330 and EH430 C or D Service Parts

EH330 C Cabinet

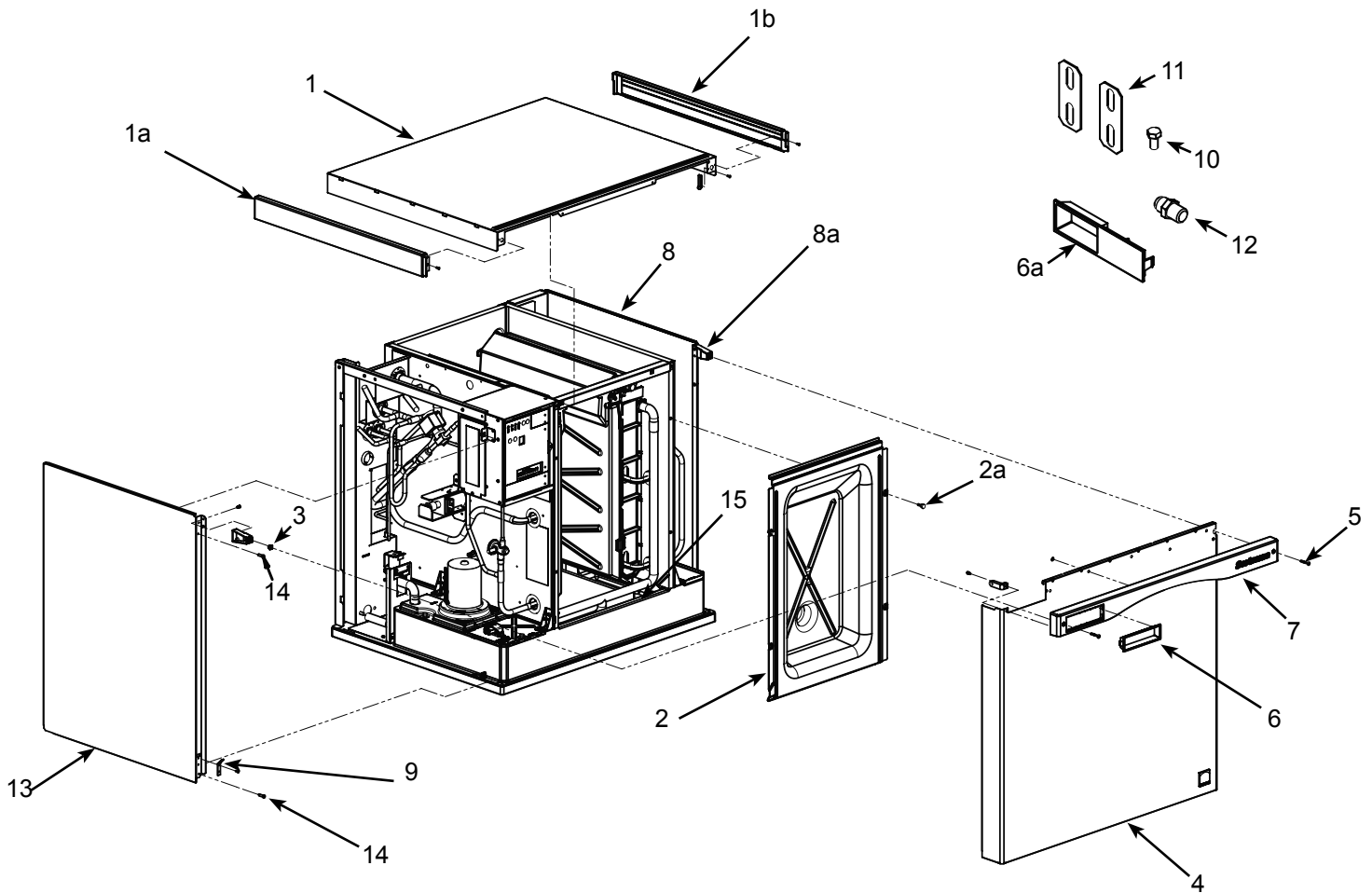


Item Number	Part Number	Description	Item Number	Part Number	Description
1	A39579-022	Top panel	7	02-4214-02	Trim strip
2	02-4504-01	Evaporator cover	8	A39581-021	Right side panel assy
2a	03-0727-05	Screw	8a	02-4215-01	Receptacle
3	03-3804-01	Screw receptacle	9	A39571-001	Panel clip
4	A39578-022	Front panel assembly, includes trim strip and labels.	10	03-1405-15	Screw
4a	02-4216-01	Top gusset	11	A30911-015	Machine straps
5	03-1735-03	Screw, front panel	12	16-0355-00	Inlet water fitting, flare**
6	02-4284-01	Bezel, full window	13	A39580-022	Left side panel
6a	02-4284-02	Bezel, partial window**	14	03-1404-12	Screw
			15	13-0943-01	Gasket tape

** Optional

Prodigy Eclipse ECC, EH330 and EH430 C or D Service Parts

EH430 C Cabinet

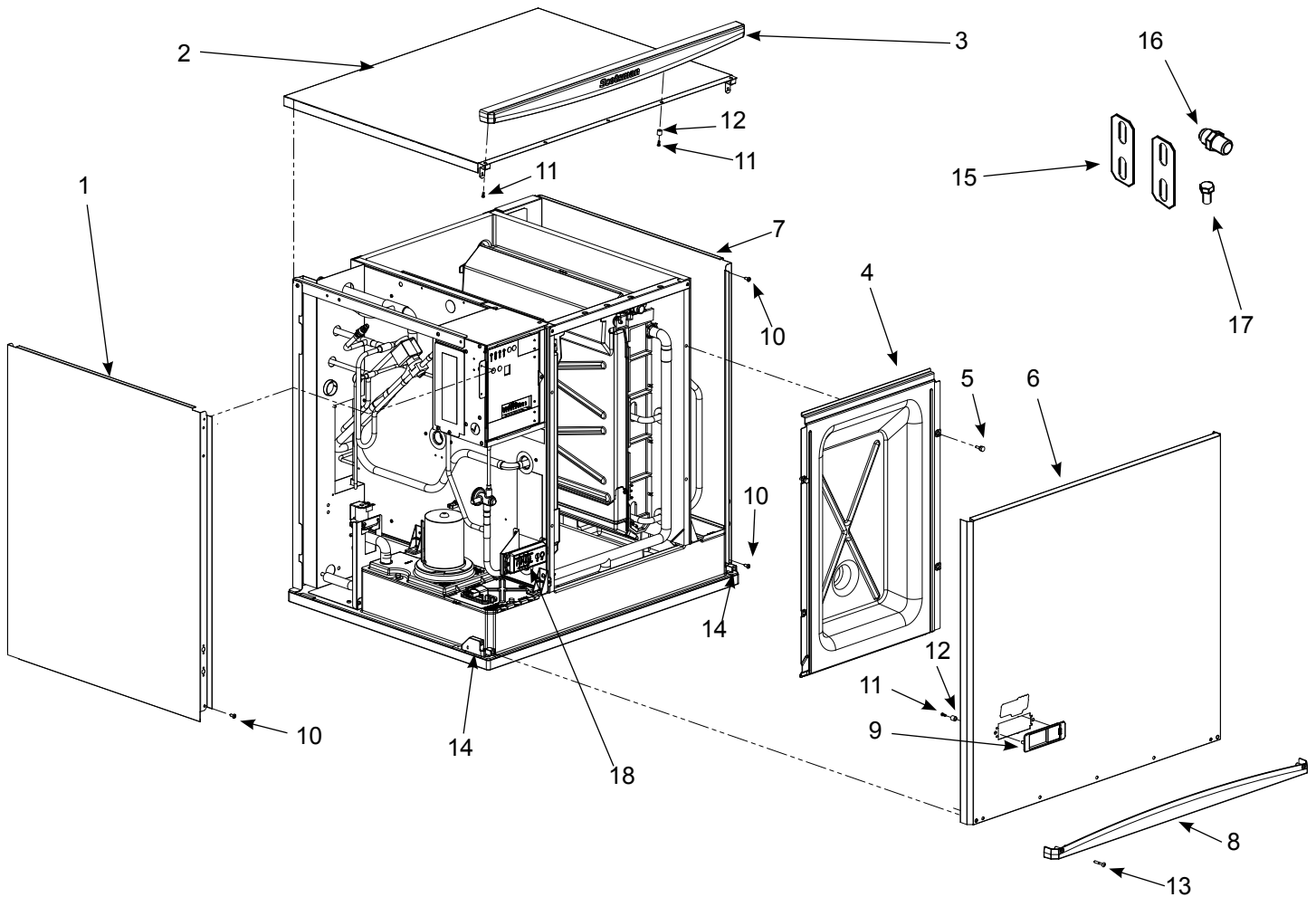


Item Number	Part Number	Description	Item Number	Part Number	Description
1	A39579-022	Top panel, w/trim strips	7	02-4214-02	Trim strip
2	02-4504-01	Evaporator cover	8	A39581-022	Right side panel assy
2a	03-0727-05	Screw	8a	02-4215-01	Receptacle
3	03-3804-01	Screw receptacle	9	A39571-001	Panel clip
4	A39578-023	Front panel assembly, includes trim strip and labels.	10	03-1405-15	Screw
4a	02-4216-01	Top gusset	11	A30911-015	Machine straps
5	03-1735-03	Screw, front panel	12	16-0355-00	Inlet water fitting, flare*
6	02-4284-01	Bezel, full window	13	A39580-024	Left side panel
6a	02-4284-02	Bezel, partial window*	14	03-1404-12	Screw
			15	13-0943-01	Gasket

* Optional

Prodigy Eclipse ECC, EH330 and EH430 C or D Service Parts

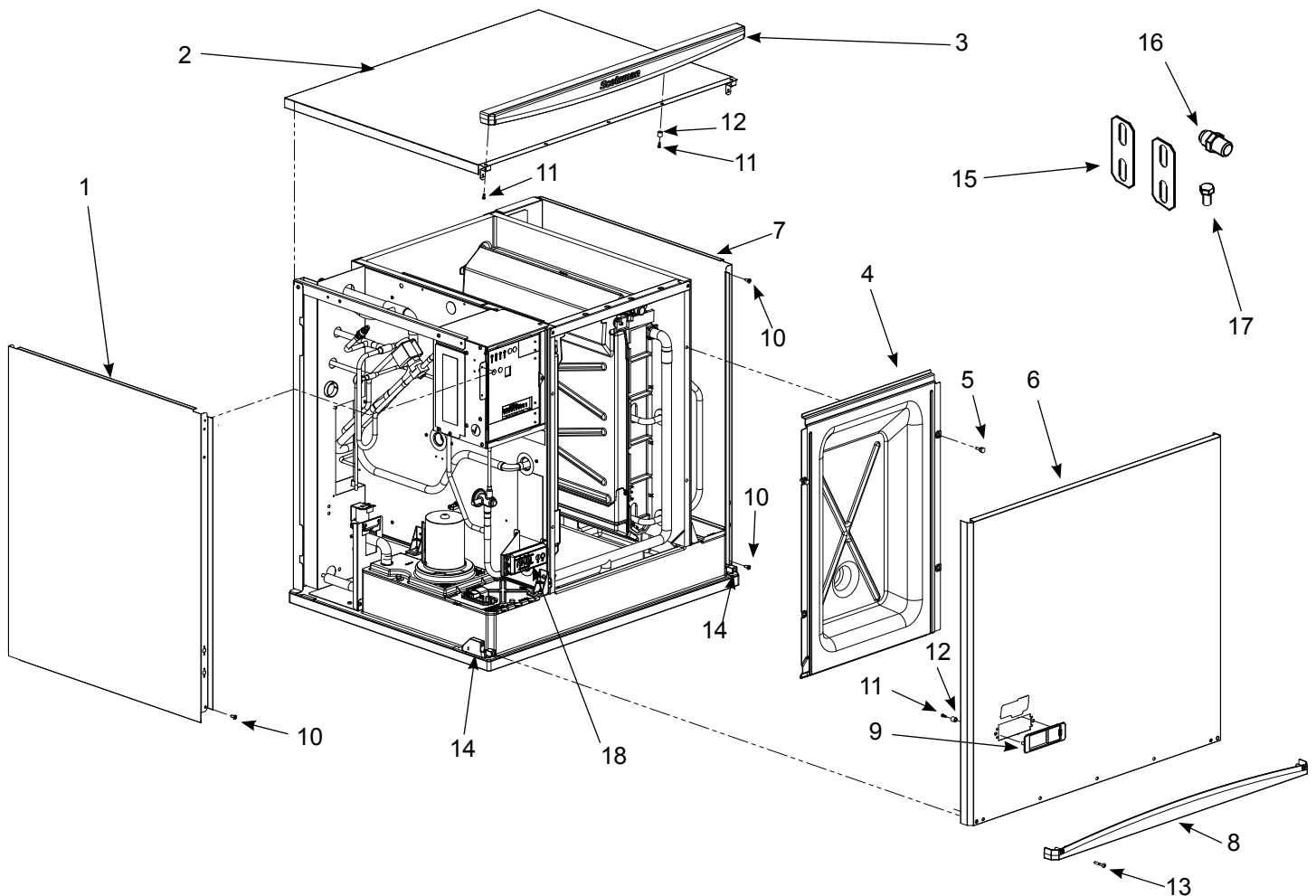
EH330 D Cabinet



Item Number	Part Number	Description	Item Number	Part Number	Description
1	A40310-021	Left side panel assy	11	03-3836-02	Screw #8 X 3/8
2	A40309-021	Top Panel	12	02-4824-01	Spacer .25 Id X .38 Od
3	02-4819-01	Trim Strip Top	13	03-1735-03	Screw, Front Panel
4	02-4504-01	Inner Front Panel	14	02-4823-21	*Panel mount kit, left
5	03-0727-05	Thumbscrew	14a	02-4823-22	*Panel mount kit, right
6	A40308-033	Front panel assembly, includes trim strip and labels.			*Includes both screw receptacles
7	A40311-021	Right side panel assy	15	A30911-015	Machine straps
8	02-4820-01	Trim Strip Bottom 30"	16	16-0355-00	Inlet water fitting, flare**
9	02-4821-02	Bezel With Standard Door	17	03-1405-15	Screw
9A	02-4822-02	Bezel With Secure Door**	18	11-0622-21	Light & switch panel D
10	03-1404-10	Screw #8 X 1/2			** Optional

Prodigy Eclipse ECC, EH330 and EH430 C or D Service Parts

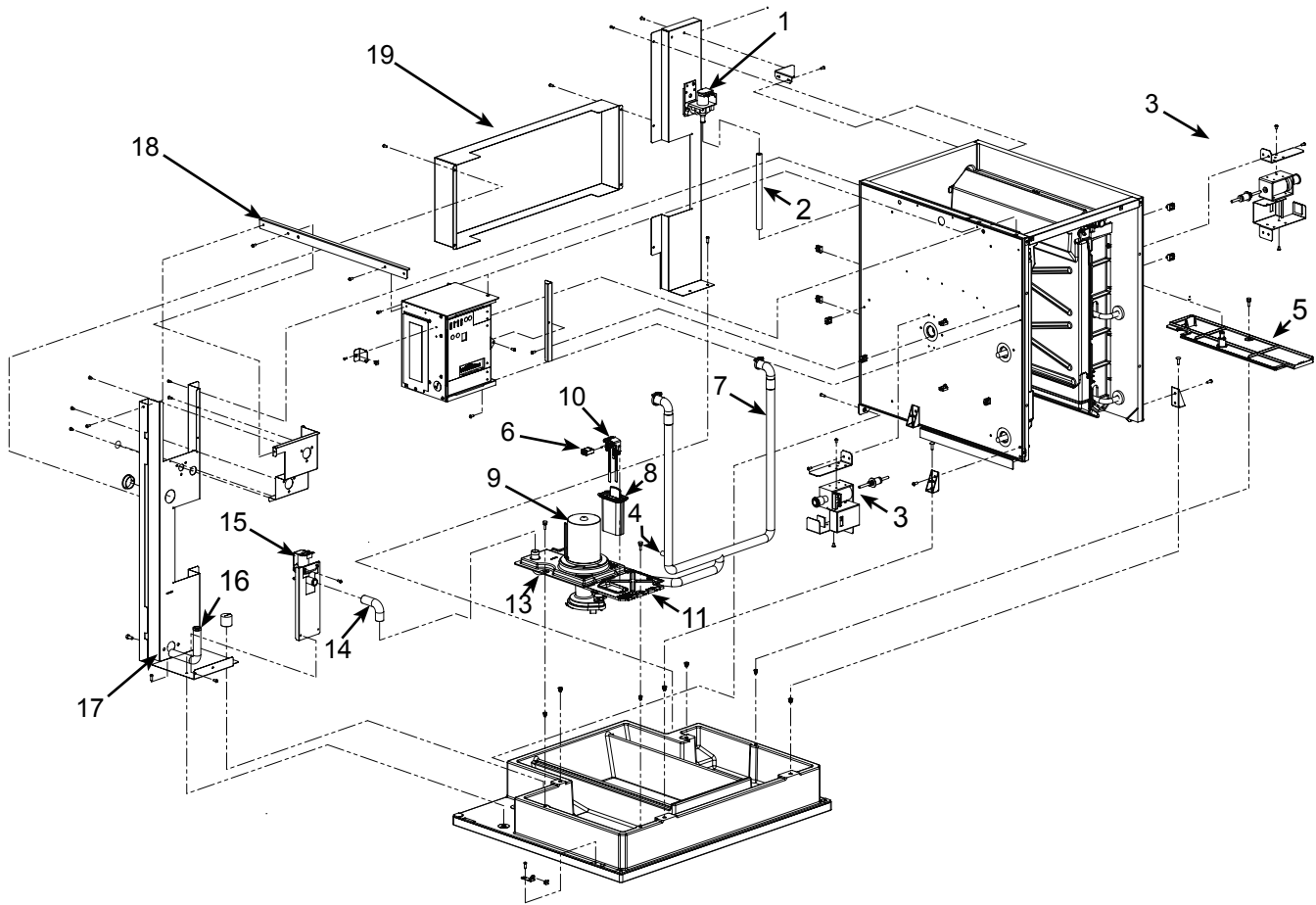
EH430 D Cabinet



Item Number	Part Number	Description	Item Number	Part Number	Description
1	A40310-022	Left side panel assy	11	03-3836-02	Screw #8 X 3/8
2	A40309-021	Top Panel	12	02-4824-01	Spacer .25 Id X .38 Od
3	02-4819-01	Trim Strip Top	13	03-1735-03	Screw, Front Panel
4	02-4504-01	Inner Front Panel	14	02-4823-21	*Panel mount kit, left
5	03-0727-05	Thumbscrew	14a	02-4823-22	*Panel mount kit, right
6	A40308-034	Front panel assembly, includes trim strip and labels.			*Includes both screw receptacles
7	A40311-022	Right side panel assy	15	A30911-015	Machine straps
8	02-4820-01	Trim Strip Bottom 30"	16	16-0355-00	Inlet water fitting, flare**
9	02-4821-02	Bezel With Standard Door	17	03-1405-15	Screw
9A	02-4822-02	Bezel With Secure Door**	18	11-0622-21	Light & switch panel D
10	03-1404-10	Screw #8 X 1/2			** Optional

Prodigy Eclipse ECC, EH330 and EH430 C or D Service Parts

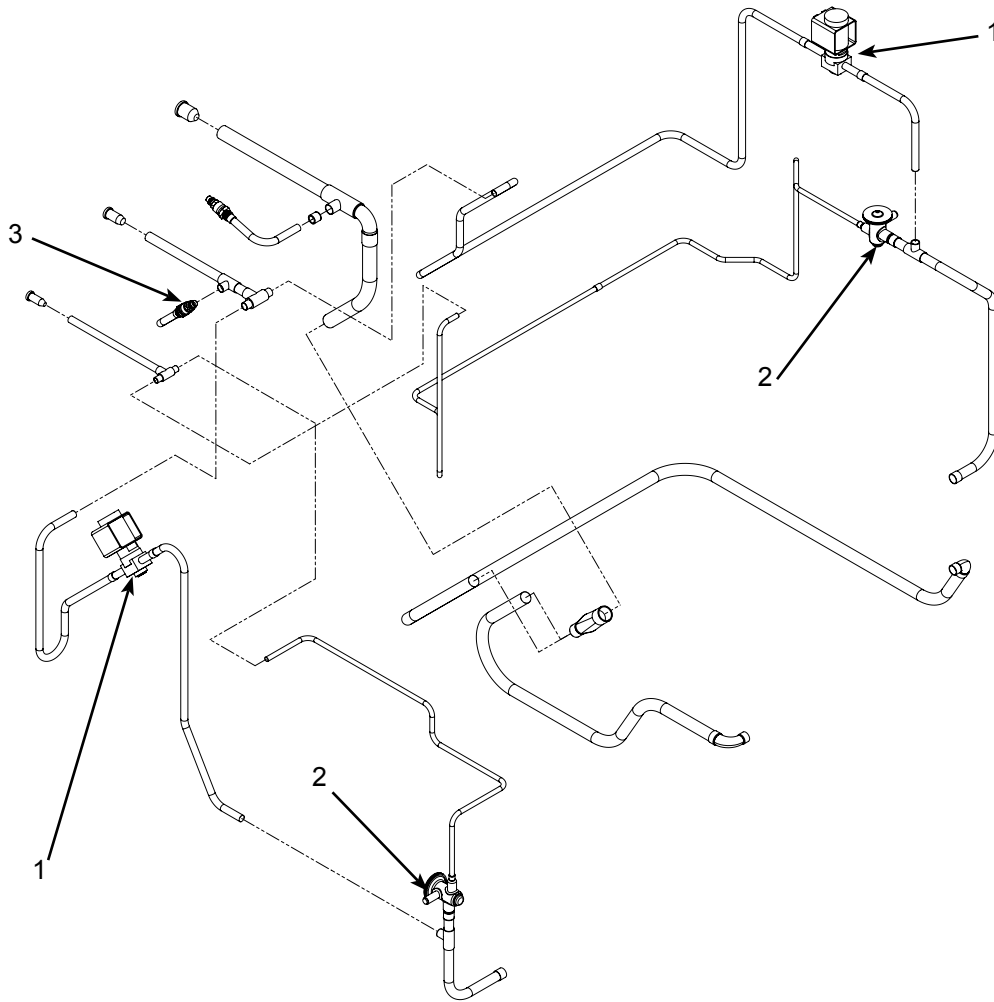
EH330 EH430 C or D Interior Parts



Item Number	Part Number	Description	Item Number	Part Number	Description
1	12-2922-01	Inlet water sol valve	13	02-4177-01	Pump bracket
2	13-0674-02	Tubing, order 2 (ft)	14	A38863-001	Tube
3	12-3060-21	Harvest assist	15	11-0564-01	Purge valve
4	11-0572-21	Temp sensor set	16	A38863-002	Tube, out
5	02-4175-01	Sump cover, rt	17	02-3692-21	Drain fitting
6	12-2928-01	WLS harness	18	A38804-001	Brace
7	02-4182-01	Water pump hose, EH430	19	A38796-001	Chase
	02-4505-01	Water pump hose, EH330			
8	02-4646-01	WLS cover			
9	12-2920-21	Water pump			
10	A39030-021	Water level sensor			
11	02-4649-01	Sump cover			
12					

Prodigy Eclipse ECC, EH330 and EH430 C or D Service Parts

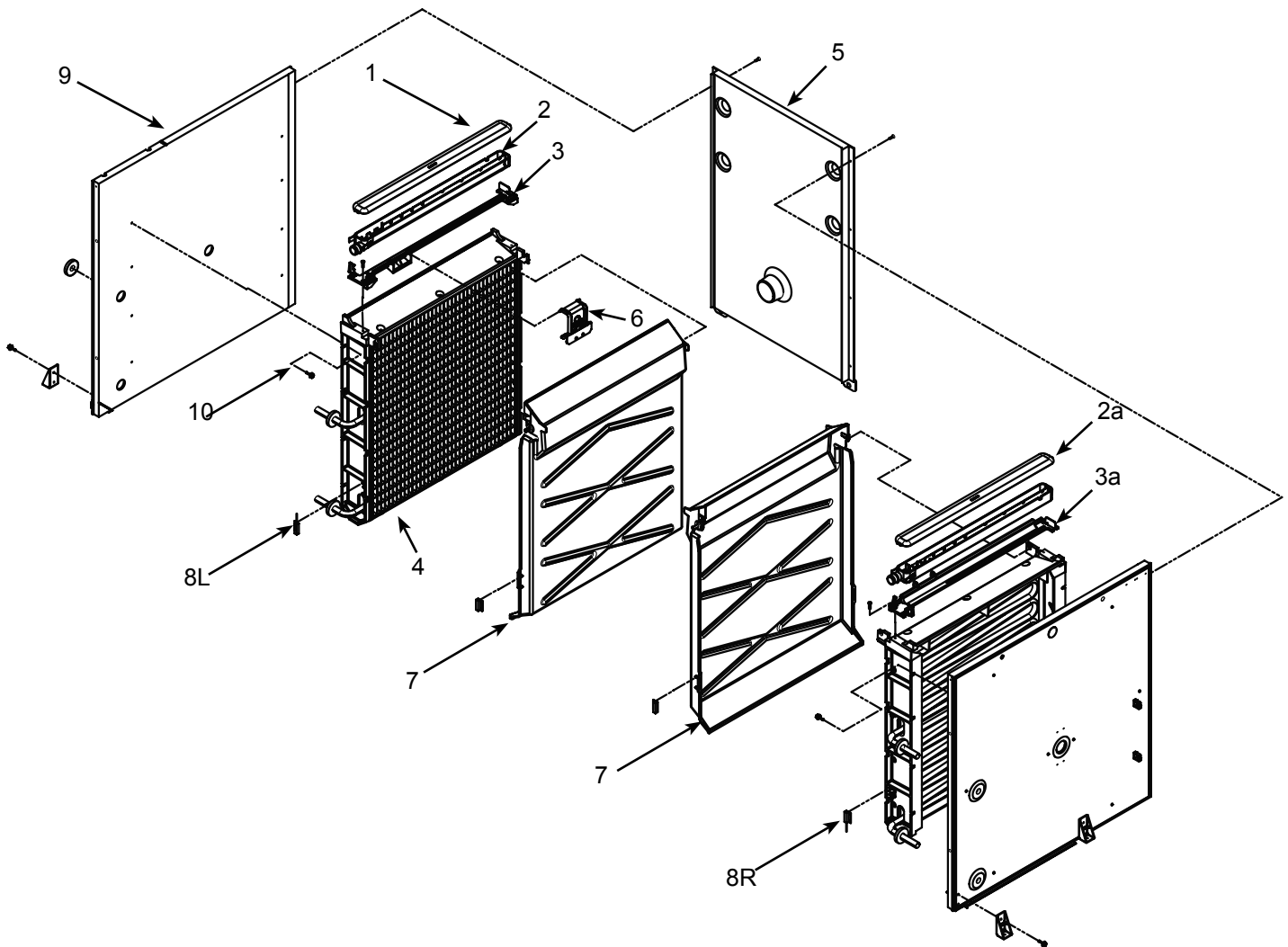
EH330 and EH430 C or D Refrigeration



Item Number	Part Number	Description
1	11-0493-03	Vapor valve
2	16-1130-01	TXV - EH430
	16-1142-01	TXV - EH330
	19-0599-06	Insulation for TXV\
3	16-1137-01	Access valve seat
	16-1140-01	Access valve cap
	16-1139-01	Access valve core

Prodigy Eclipse ECC, EH330 and EH430 C or D Service Parts

EH330 C or D Evaporator Compartment



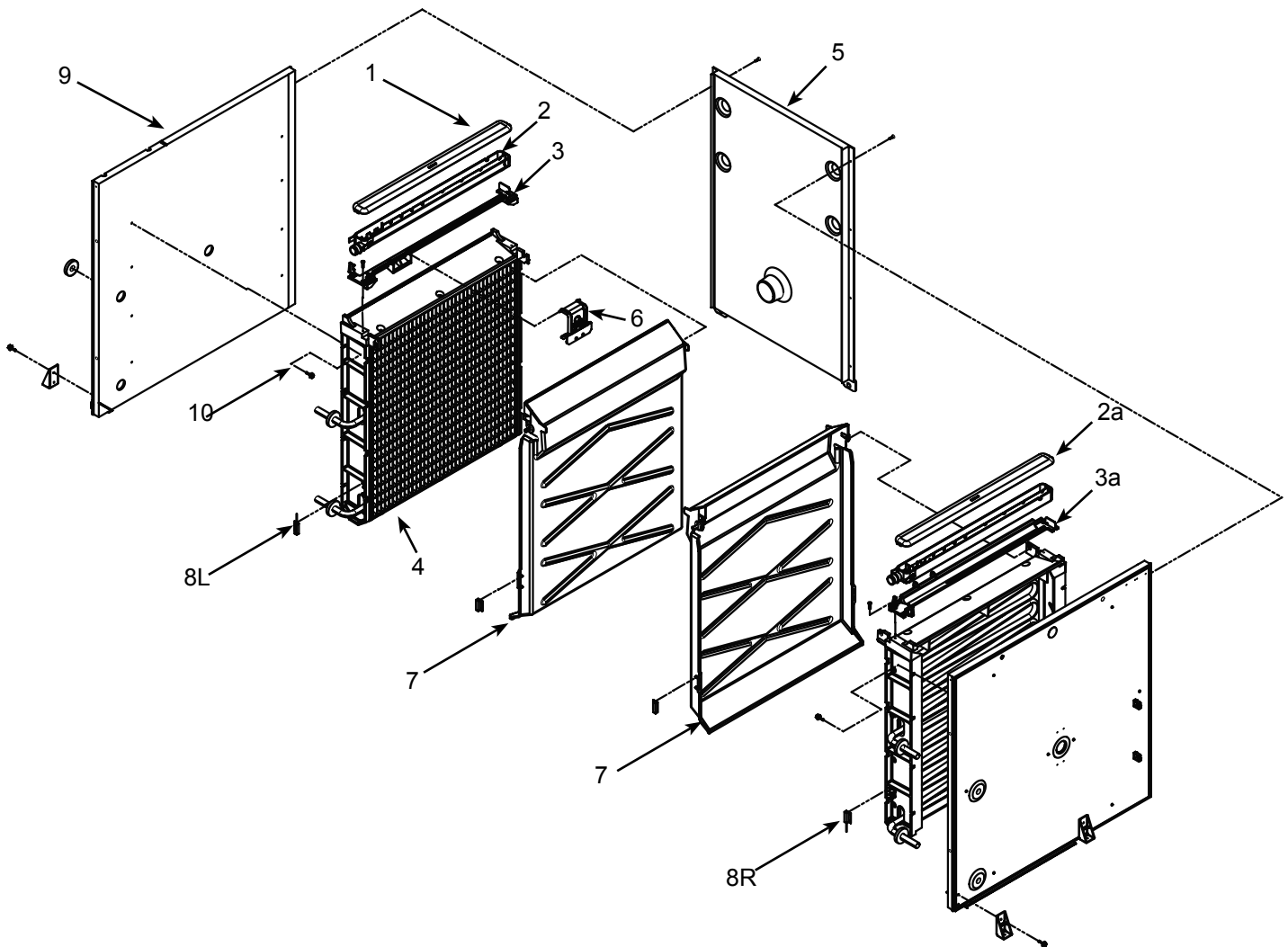
Item Number	Part Number	Description
1	02-4065-01	Water distributor cover
2	02-4064-01	Water distributor, left
2a	02-4064-02	Water distributor, right
3	02-4205-01	Mounting bracket, left
3a	02-4205-02	Mounting bracket, right
4	see table Evaporator	
5	A39480-001	Back wall
6	A39031-021	Ice thickness sensor
7	02-4100-32	Curtain
8L	11-0563-06	Curtain switch, left
8R	11-0563-03	Curtain switch, right
9	13-0943-01	Gasket tape
10	03-3868-01	Screw

	small cube	medium cube
Right	A38627-023	A38627-024
Left	A38627-021	A38627-022

5 A39480-001 Back wall
6 A39031-021 Ice thickness sensor

Prodigy Eclipse ECC, EH330 and EH430 C or D Service Parts

EH430 C or D Evaporator Compartment



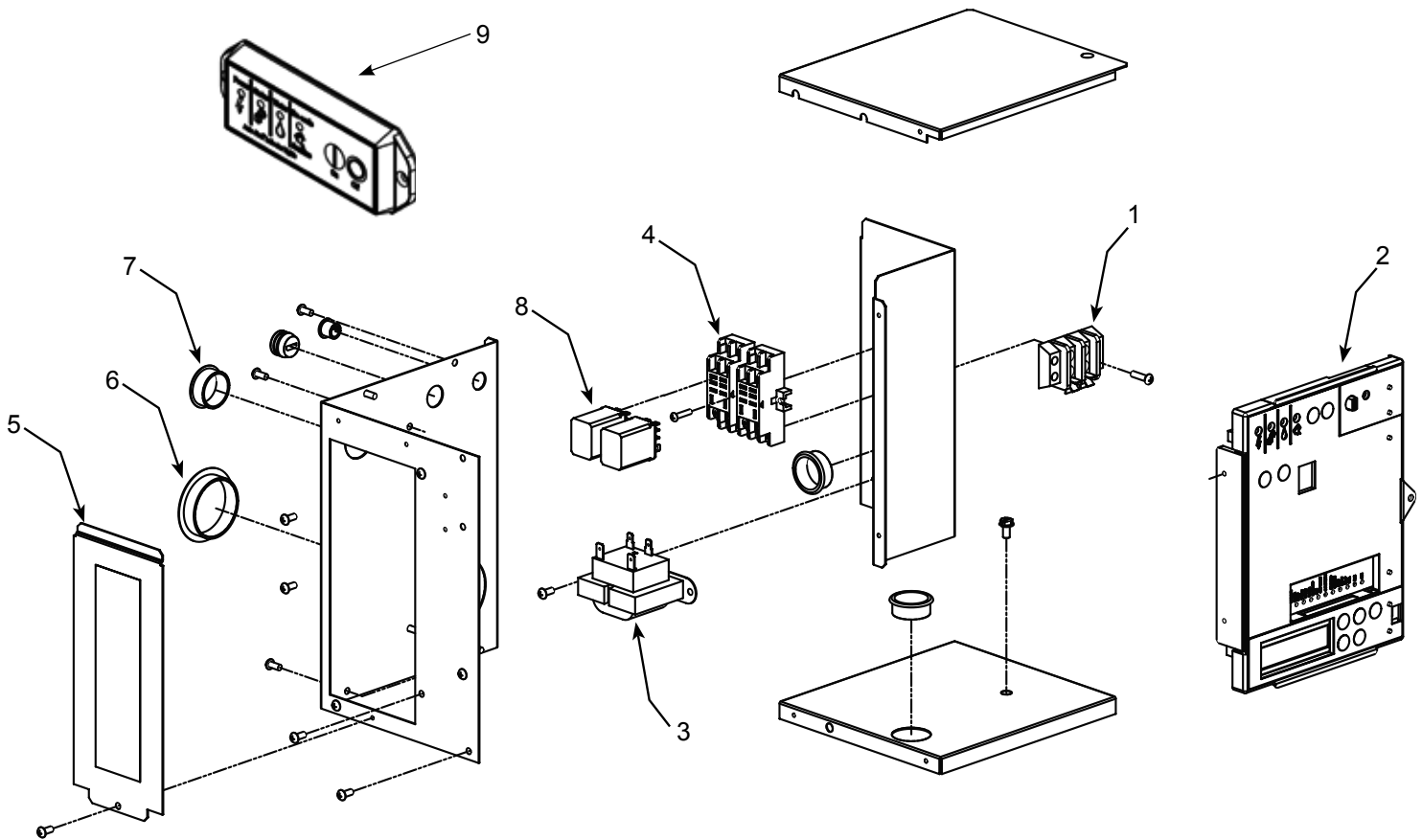
Item Number	Part Number	Description
1	02-4065-01	Water distributor cover
2	02-4064-01	Water distributor, left
2a	02-4064-02	Water distributor, right
3	02-4205-01	Mounting bracket, left
3a	02-4205-02	Mounting bracket, right
4	see table	Evaporator
5	02-4611-21	Curtain
8L	11-0563-06	Curtain switch, left
8R	11-0563-03	Curtain switch, right
9	13-0943-01	Gasket tape
10	03-3868-01	Screw

	small cube	medium cube
Right	A38628-023	A38628-024
Left	A38628-021	A38628-022

- 5 A38677-001 Back wall
- 6 A39031-021 Ice thickness sensor

Prodigy Eclipse ECC, EH330 and EH430 C or D Service Parts

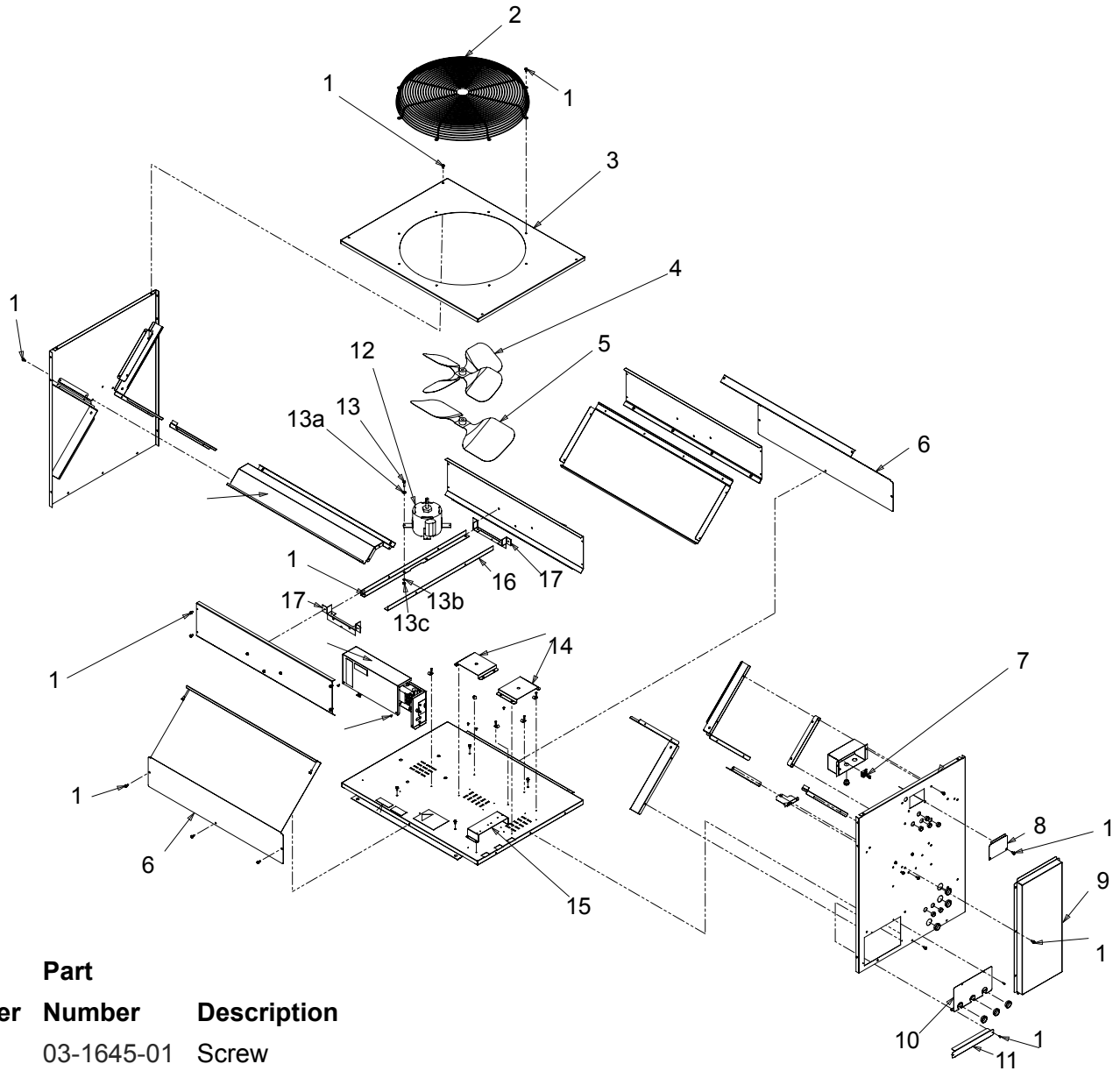
EH330 or EH430 C or D Electrical



Item Number	Part Number	Description
1	12-2780-01	Terminal strip
2	11-0621-21	Service controller, fits all
2a	11-0550-28	Service controller, thru C
3	12-2924-01	Transformer
4	12-2949-02	Relay base
5	A39287-001	Cover
6	12-1213-15	Snap bushing
7	12-1213-11	Snap bushing
8	12-2949-01	Relay
9	11-0622-21	Light & switch panel D
Not Illustrated:		
10	12-2954-01	Low voltage harness - to interconnecting wire
11	12-2943-01	High voltage harness (has large plug)
12	12-2940-01	Control power harness
13	12-1638-19	Power cord

Prodigy Eclipse ECC, EH330 and EH430 C or D Service Parts

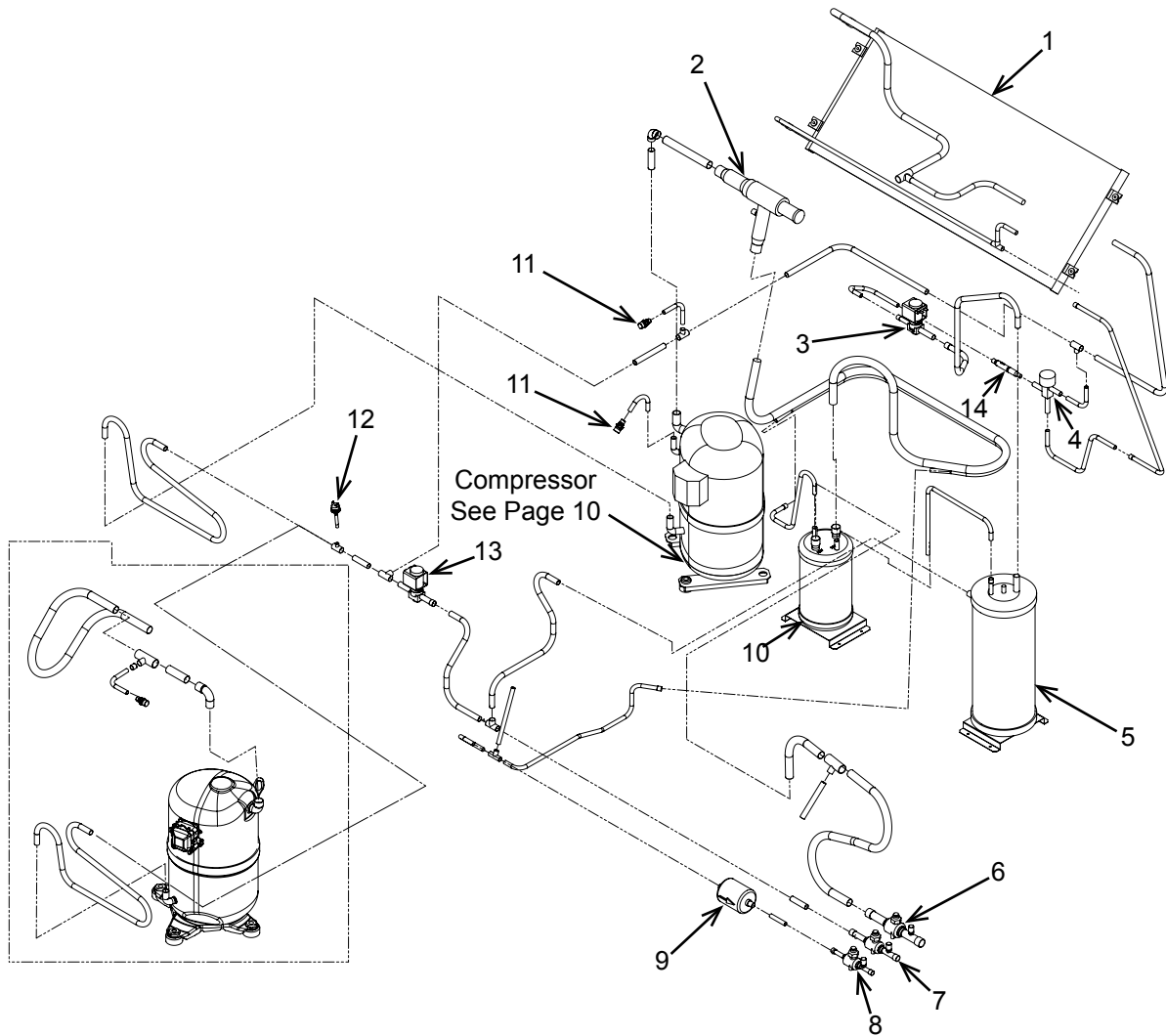
ECC Cabinet and Fan



Item Number	Part Number	Description
1	03-1645-01	Screw
2	02-3575-01	Fan guard, 1200, 1410
	02-3770-01	Fan guard, 1800
3	A39744-001	Top panel, 1200, 1410
	A39744-002	Top panel, 1800
4	18-8816-01	Fan blade, 1200, 1410
5	18-8820-01	Fan blade, 1800
6	A40100-001	Cover
7	12-2640-01	Terminal strip, 50 Hz only
8	A37128-001	Box cover
9	A40091-001	Chase cover
10	A40094-001	Valve cover
11	A40106-001	Lower cover
12	12-2651-03	Fan motor, 1200, 1410
	12-2717-02	Fan motor, 1800
13	03-1405-08	Hex bolt
13a	03-1407-06	Flat washer
13b	03-1410-03	Lock washer
13c	03-1406-08	Nut
14	A37948-001	Bracket
15	A40093-001	Bracket
16	A39749-001	Motor bracket
17	A37282-001	Support

Prodigy Eclipse ECC, EH330 and EH430 C or D Service Parts

ECC Refrigeration Components



Item Number	Part Number	Description
1	18-8945-22	Coil
2	16-1096-21	CPR valve
3	11-0546-01	Liquid line inlet valve
4	11-0422-22	Head master valve
5	16-1085-03	Receiver
6	16-1208-03	Ball valve 3/4
7	16-1208-02	Ball valve 1/2
8	16-1208-01	Ball valve 3/8
9	02-3319-02	Dryer
10	16-1157-01	Accumulator, 1200, 1410
	16-1122-01	Accumulator, 1800
11	16-1137-01	Access valve seat
	16-1139-01	Access valve core
	16-1140-01	Access valve cap
12	11-0501-02	High pressure cut out switch
13	11-0507-03	Bypass valve
14	16-1029-01	Check valve

Prodigy Eclipse ECC, EH330 and EH430 C or D Service Parts

ECC Compressors

Compressor - see table below

Model	Phase	Hz	Part Number
ECC1200-32	single	60	18-8750-22
ECC1410-32	single	60	18-8965-21
ECC1410-3	three	60	18-8965-22
ECC1800-3	three	60	18-8930-25

Single phase 60 Hz compressors include starting components.

All include a drier.

All have internal overloads

18-3043-03 Crankcase heater for 18-8730-25 and 18-8750-22

Mounting parts for compressors:

18-2300-27 Mounting grommet

18-2300-26 Sleeve

03-1406-07 Washer

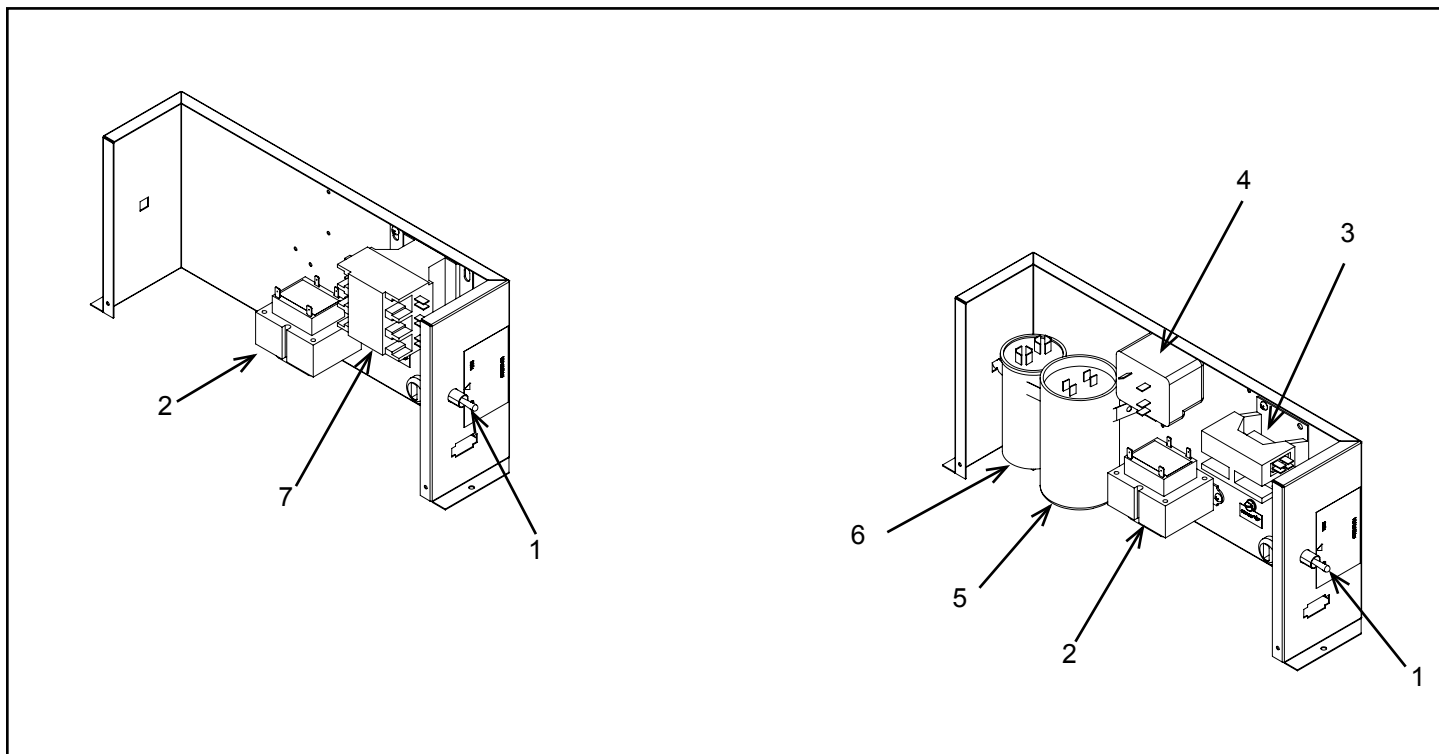
03-1405-20 Cap screw

Parts shipped in condensing unit:

12-2865-01 75' Interconnecting harness

Prodigy Eclipse ECC, EH330 and EH430 C or D Service Parts

ECC1200, ECC1410 and ECC1800 Control Box



Three Phase Control Box

Single Phase Control Box

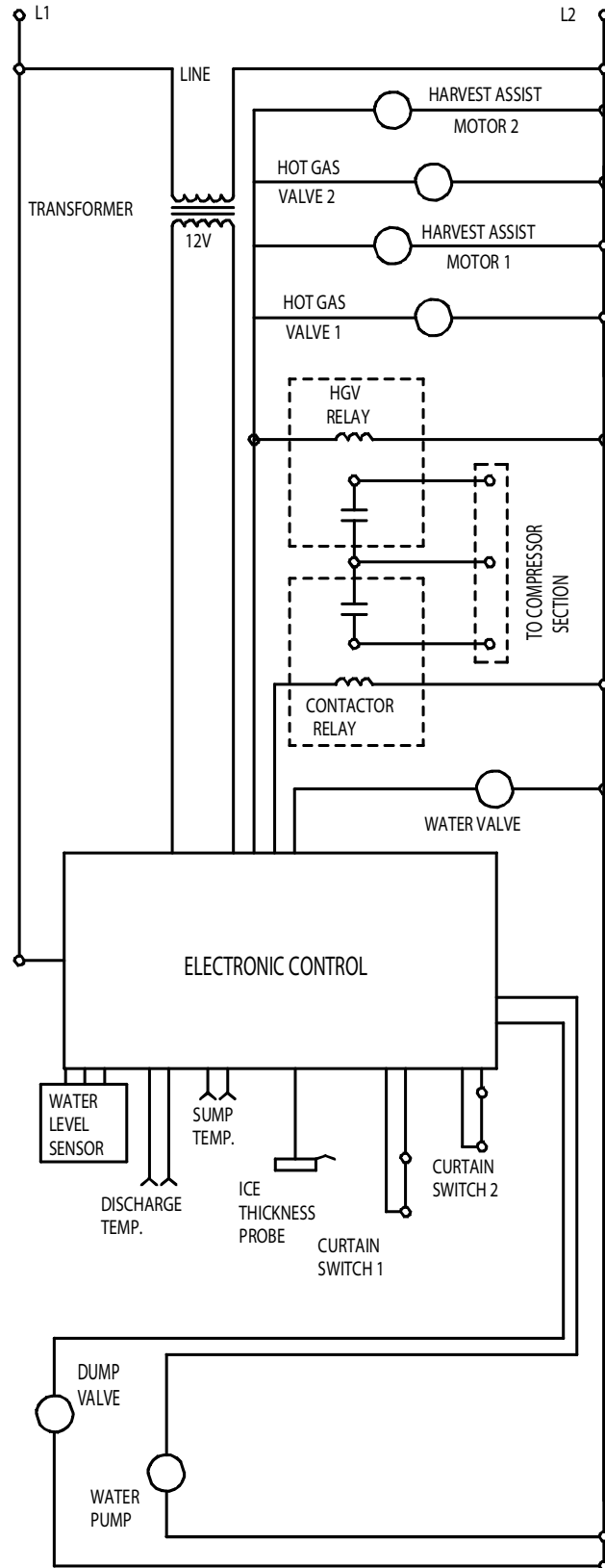
Item Number	Part Number	Description
1	12-2637-01	Toggle switch
2	12-2836-02	Transformer, 60 Hz models 230 volt to 24 volt
3	12-2469-01	Single phase contactor

		ECC1200-32	ECC1410-32
4	Comp. Relay	18-1903-	18-1903-72
5	Start Capacitor	18-1901-	18-1901-59
6	Run Capacitor	18-1902-	18-1902-69

7 12-2533-01 Contactor, 3 phase

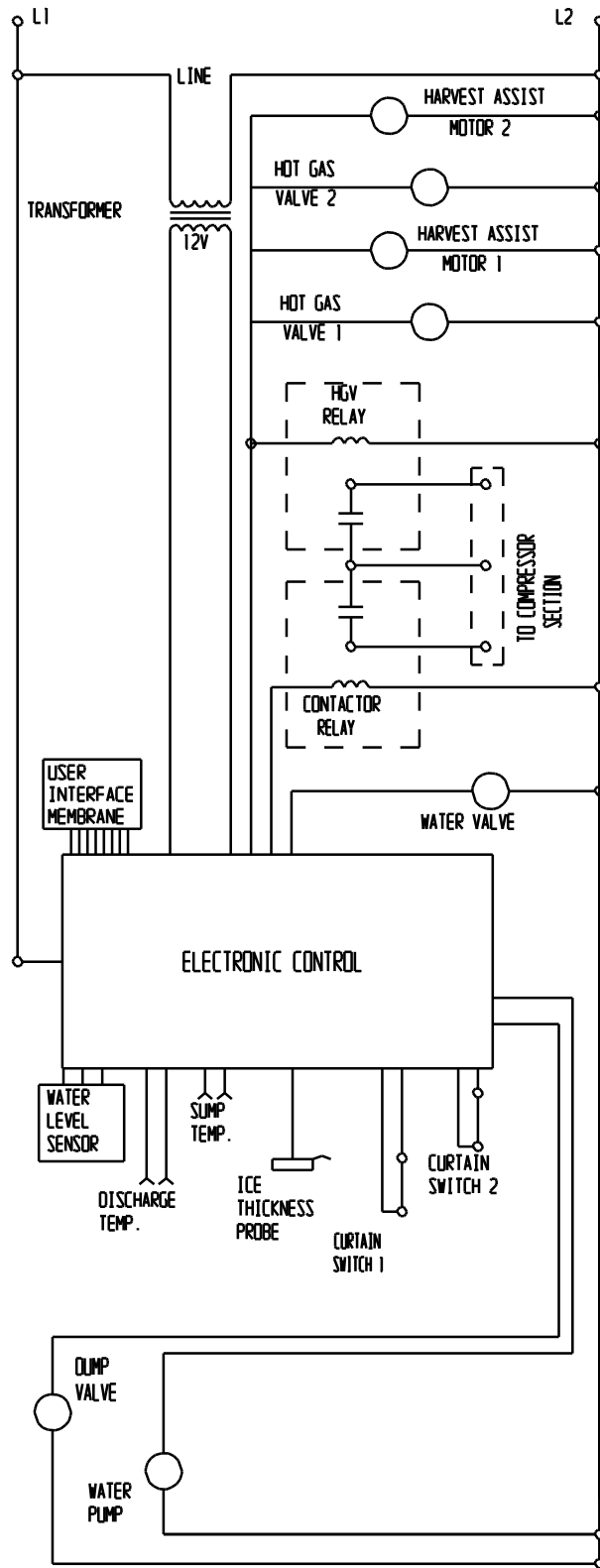
Prodigy Eclipse ECC, EH330 and EH430 C or D Service Parts

EH330 C or EH430 C Schematic Diagram



Prodigy Eclipse ECC, EH330 and EH430 C or D Service Parts

EH330 D or EH430 D Schematic Diagram

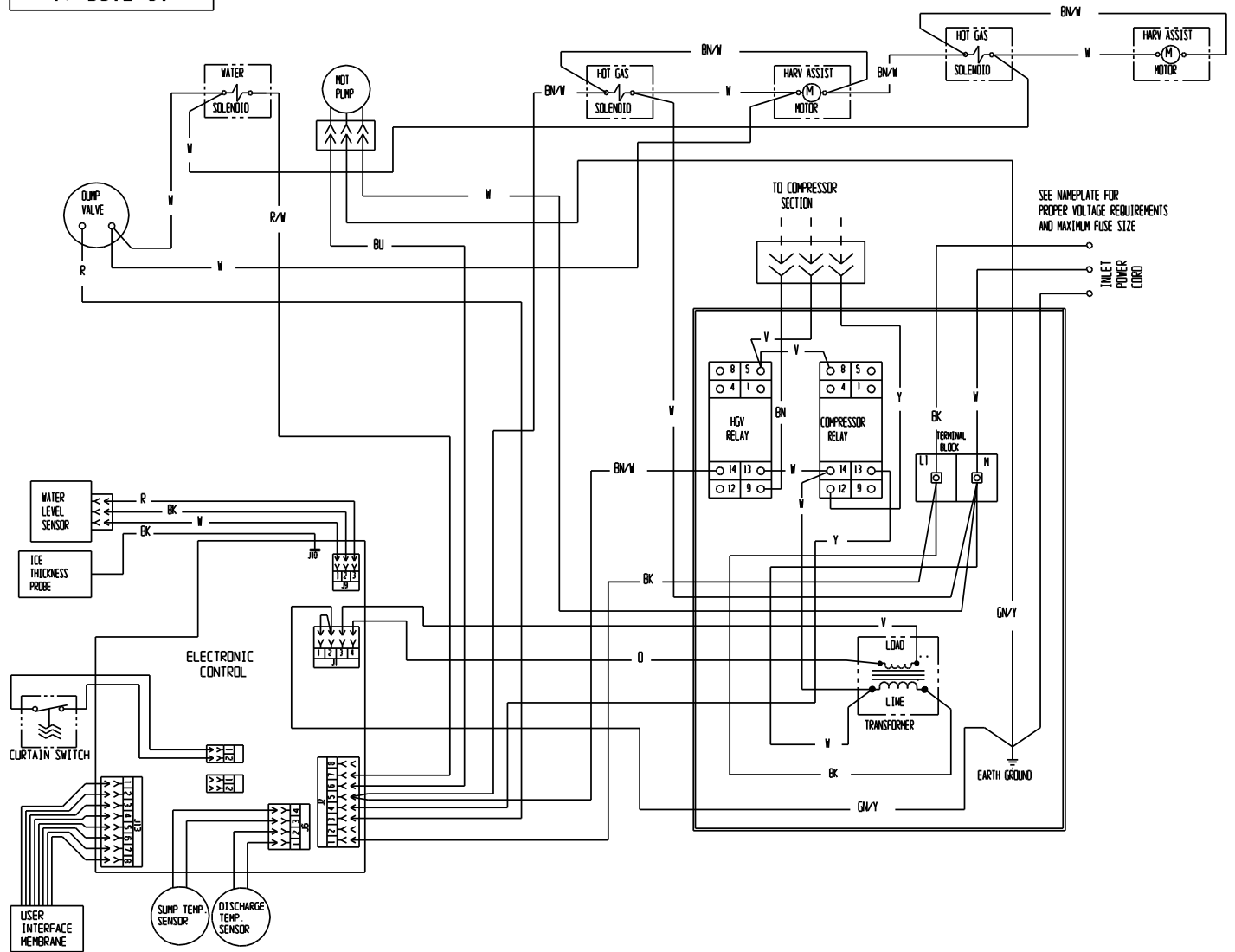


Prodigy Eclipse ECC, EH330 and EH430 C or D Service Parts EH330 D or EH430 D Wiring Diagram

17-3512-01

USE COPPER CONDUCTORS ONLY

△ DASHED LINES INDICATE FIELD WIRING WHICH MUST BE INSTALLED IN ACCORDANCE WITH THE NATIONAL ELECTRICAL CODE AND ALL STATE AND LOCAL CODES.



SEE NAMEPLATE FOR PROPER VOLTAGE REQUIREMENTS AND MAXIMUM FUSE SIZE

INLET POWER CORD

THIS UNIT MUST BE GROUNDED.

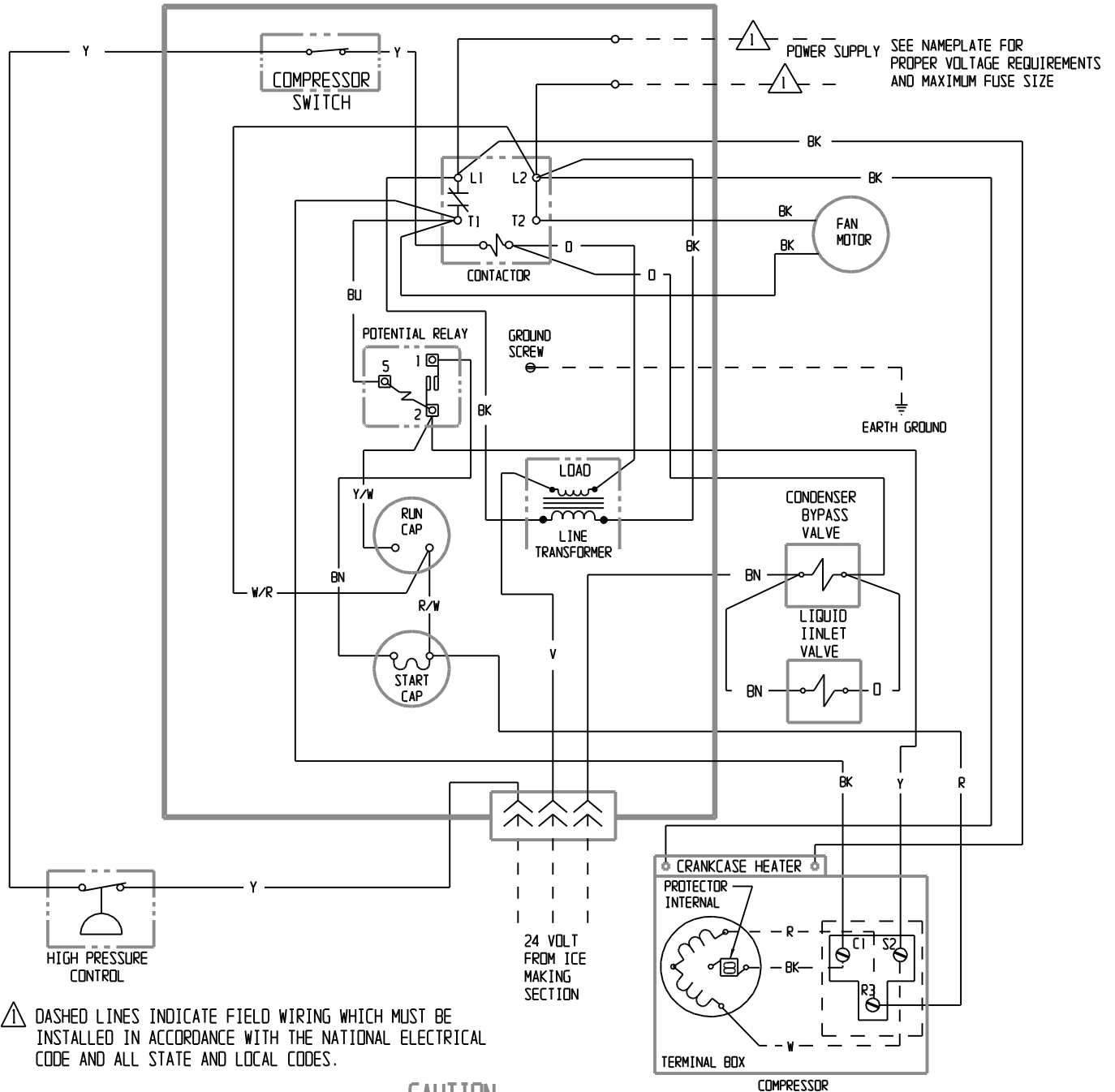
CAUTION:

MORE THAN ONE DISCONNECT MEANS MAY BE REQUIRED TO DISCONNECT ALL POWER TO THIS UNIT.

Prodigy Eclipse ECC, EH330 and EH430 C or D Service Parts ECC1200 and ECC1410 Single Phase Wiring Diagram

17-3461-01

USE COPPER CONDUCTORS ONLY



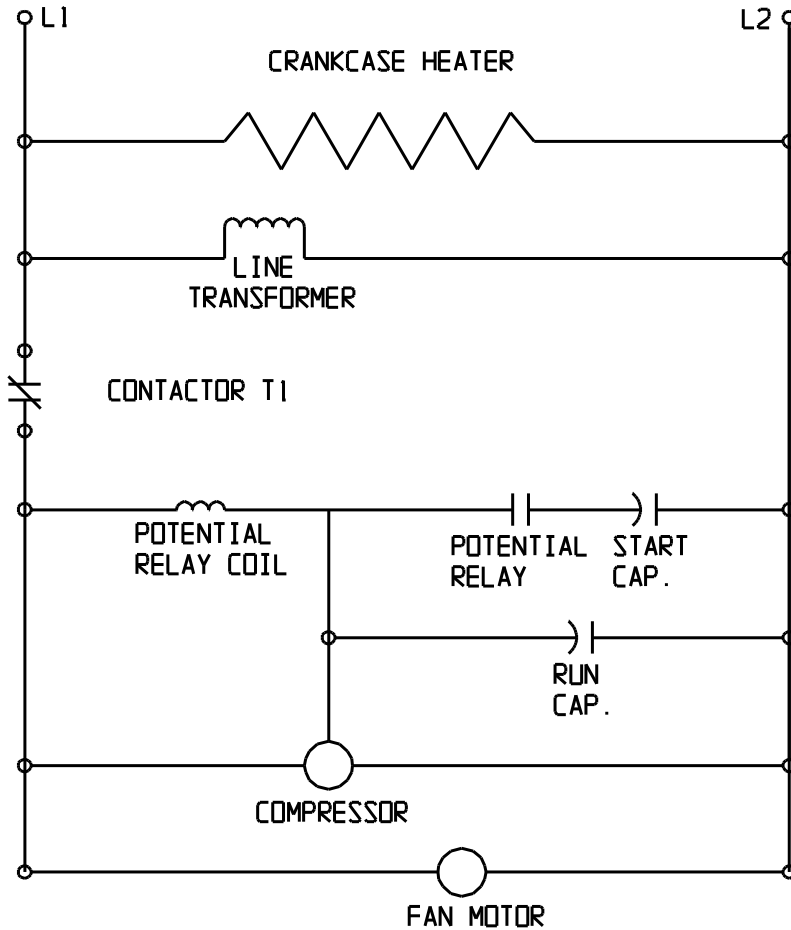
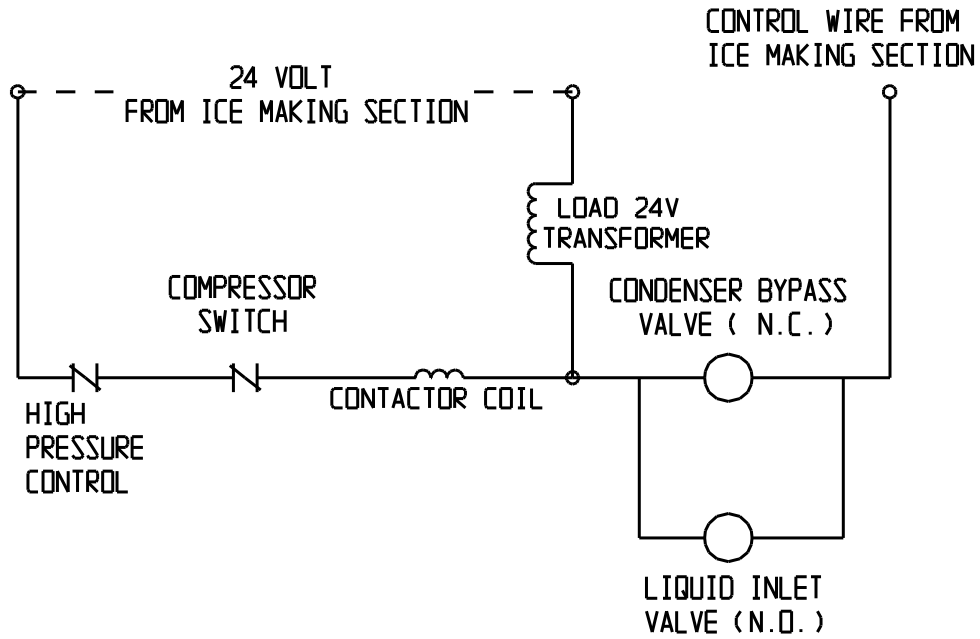
⚠ DASHED LINES INDICATE FIELD WIRING WHICH MUST BE INSTALLED IN ACCORDANCE WITH THE NATIONAL ELECTRICAL CODE AND ALL STATE AND LOCAL CODES.

CAUTION:

MORE THAN ONE DISCONNECT MEANS MAY BE REQUIRED TO DISCONNECT ALL POWER TO THIS UNIT.

THIS UNIT MUST BE GROUNDED.

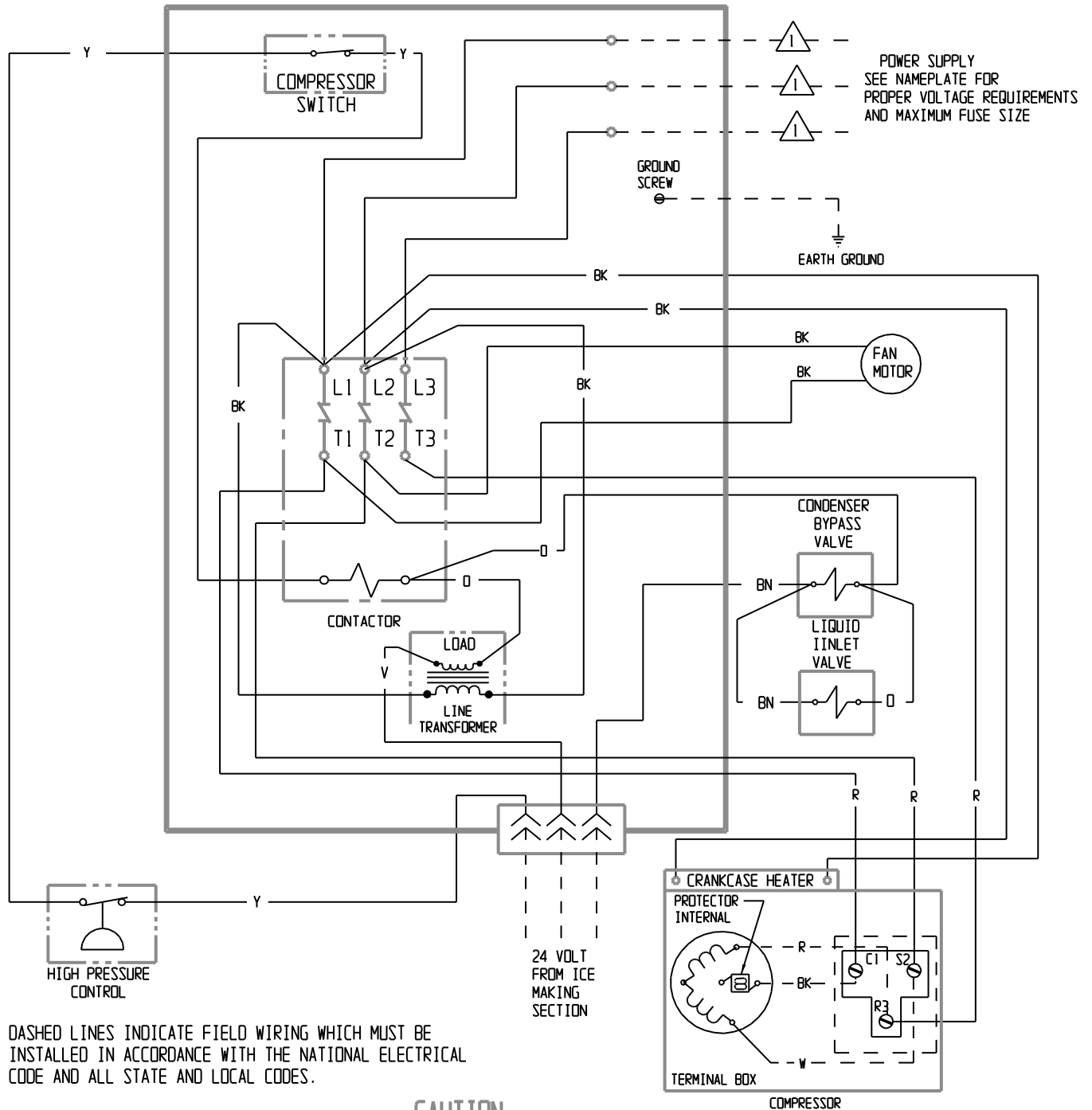
Prodigy Eclipse ECC, EH330 and EH430 C or D Service Parts ECC1200 and ECC1410 Single Phase Schematic Diagram



Prodigy Eclipse ECC, EH330 and EH430 C or D Service Parts ECC1200, ECC1410 and ECC1800 Three Phase Wiring Diagram

17-3460-01

USE COPPER CONDUCTORS ONLY



⚠ DASHED LINES INDICATE FIELD WIRING WHICH MUST BE INSTALLED IN ACCORDANCE WITH THE NATIONAL ELECTRICAL CODE AND ALL STATE AND LOCAL CODES.

CAUTION:

MORE THAN ONE DISCONNECT MEANS MAY BE REQUIRED TO DISCONNECT ALL POWER TO THIS UNIT.

THIS UNIT MUST BE GROUNDED.

Prodigy Eclipse ECC, EH330 and EH430 C or D Service Parts ECC1200, ECC1410 and ECC1800 Three Phase Schematic Diagram

