

This part list contains the service parts for the Eclipse
 ECC 800 and 1000 systems.
 Prodigy Plus D Series production began in late 2014.
 The models that are covered include:
 EH222 - head
 ECC0800 - condensing unit
 ECC1410 - condensing unit

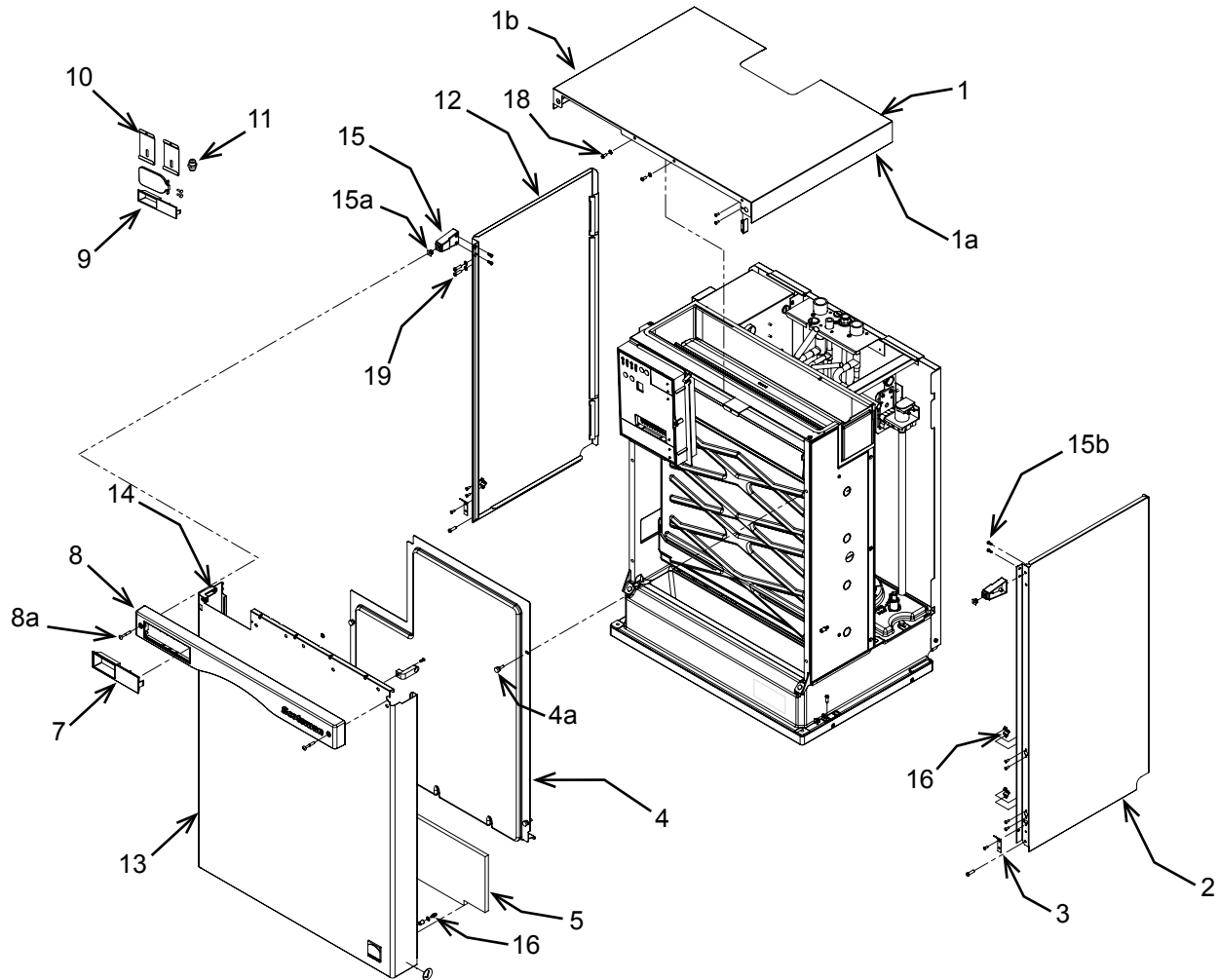
Head voltage is independent of the condensing unit
 voltage.
 Voltage codes:
 -1 = 115/60/1
 -3 = 208-230/60/3
 -6 = 230/50/1
 -32 = 208-230/60/1

Contents

EH222 Cabinet - C Series Page 2
 EH222 Cabinet - D Series Page 3
 Back Panel Assembly Page 4
 EH222 Interior Parts Page 5
 EH222 Water System Page 6
 EH222 Refrigeration Page 7
 EH222 Electrical Page 8
 ECC Cabinet and Fan Page 9
 ECC Refrigeration Components Page 10
 ECC0800 and ECC1410 Compressors Page 11
 ECC0800 and ECC1410 Control Box Page 12
 EH222 C Schematic Diagram Page 13
 EH222 C Wiring Diagram Page 14
 EH222 D Schematic Diagram Page 15
 EH222 D Wiring Diagram Page 16
 ECC0800 and ECC1410 Single Phase Wiring Diagram Page 17
 ECC0800 and ECC1410 Single Phase Schematic Diagram Page 18
 ECC0800 and ECC1410 Three Phase Wiring Diagram Page 19
 ECC0800 and ECC1410 Three Phase Schematic Diagram Page 20
 50 Hz Model Wiring and Schematic Diagram Page 21

Prodigy Eclipse ECC and EH222 Service Parts

EH222 Cabinet - C Series

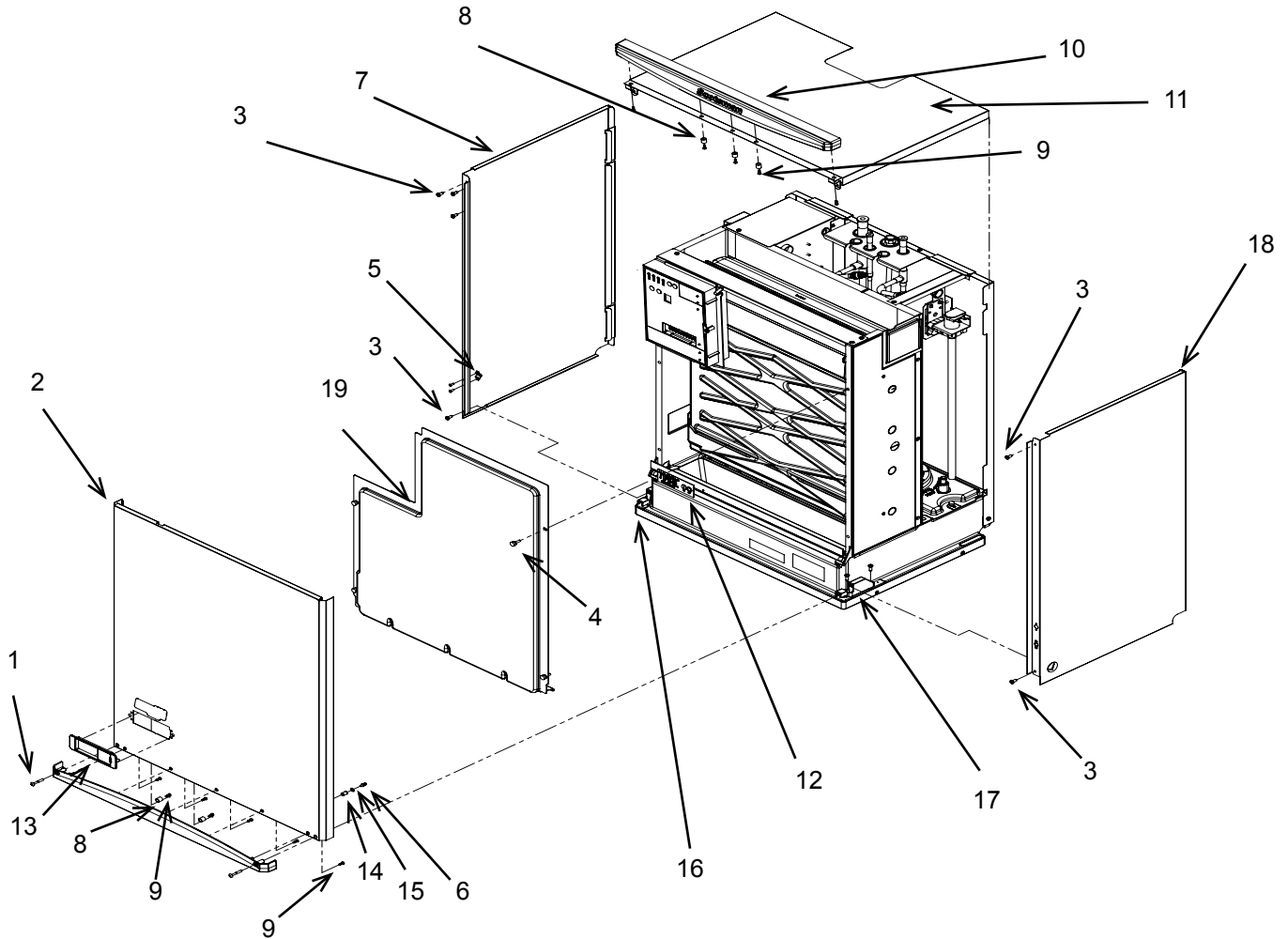


Item Number	Part Number	Description
1	A39074-021	Top panel
2	A39589-021	Right side panel, 60 Hz
	A39589-022	Right side panel, 50 hz
3	A39571-001	Panel clip
4	02-4341-01	Evaporator cover
4a	03-0727-05	Thumb screw
5	02-4324-01	Insulation
6	02-4217-01	Bottom gusset
7	02-4284-01	Bezel, full window - optional
8	02-4214-01	Trim strip
8a	03-1735-03	Screw
9	02-4284-02	Bezel, partial window
10	A39209-001	Machine strap
11	16-1036-01	Flare union
12	A39580-025	Left side panel, 60 Hz
	A39580-027	Left side panel, 50 hz
13	A39578-026	Front panel, includes items 5, 8, 6, 15 and 7
14	02-4216-01	Upper gusset
15	02-4215-01	Receptacle
15a	03-3804-01	Screw receptacle
15b	03-3836-02	Screw, hi-lo
16	03-1733-04	Catch [^]
17	03-1733-01	Strike [^]
18	03-1531-08	Screw [^]
	03-1417-27	Washer [^]
19	03-1404-12	Screw

[^] 50 Hz model only

Prodigy Eclipse ECC and EH222 Service Parts

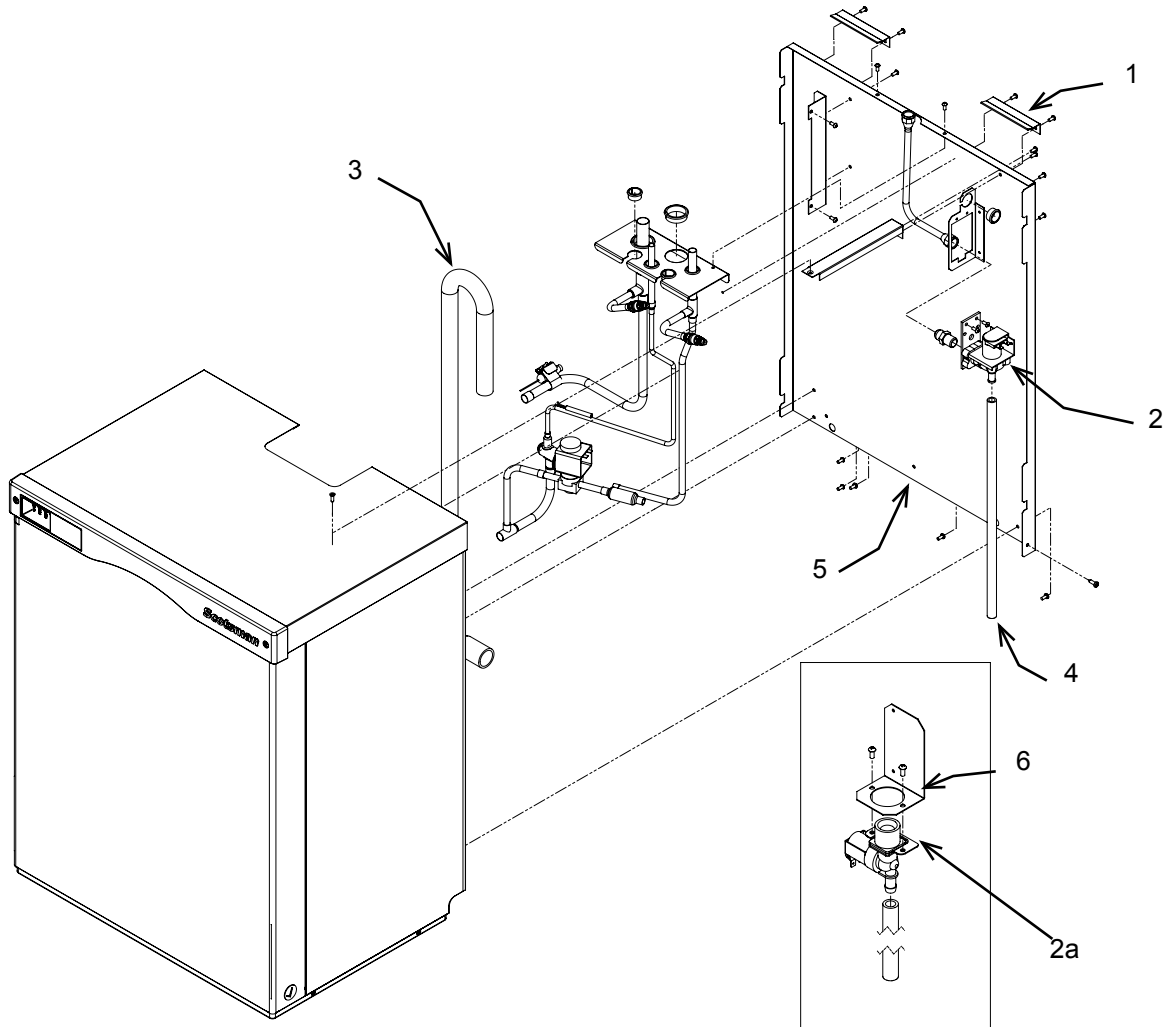
EH222 Cabinet - D Series



Item Number	Part Number	Description
1	03-1735-03	Screw, Front Panel
2	A40308-032	Front Panel Complete
2a	02-4820-02	Lower Trimstrip
3	03-1404-10	Screw #8 X 1/2,
4	03-0727-05	Thumb Screw, #8-32 X 1/2
5	03-1733-04	Receptacle
6	03-1733-01	Ball Stud
7	A40310-027	Left Side Panel
8	02-4824-01	Spacer .25 Id X .38 Od
9	03-3836-02	Screw #8 X 3/8 Pan Head
10	02-4819-02	Top Trimstrip
11	A40309-025	Top Panel With Trimstrip
12	11-0622-21	Lower Switch Panel W/ Harness
13	02-4821-02	Bezel, Includes Standard Door
13a	02-4822-01	Standard Bezel Door (Door Only)
13b	02-4822-02	Secure Bezel Door (Door Only)
14	03-1734-01	Insert
15	03-1417-27	Lock washer #8
16	02-4823-21	*Panel mount kit, left
17	02-4823-22	*Panel mount kit, right *Includes both screw receptacles
18	A40335-022	Right Side Panel
19	02-4341-01	Inner Front Panel *Includes both screw receptacles

Prodigy Eclipse ECC and EH222 Service Parts

Back Panel Assembly



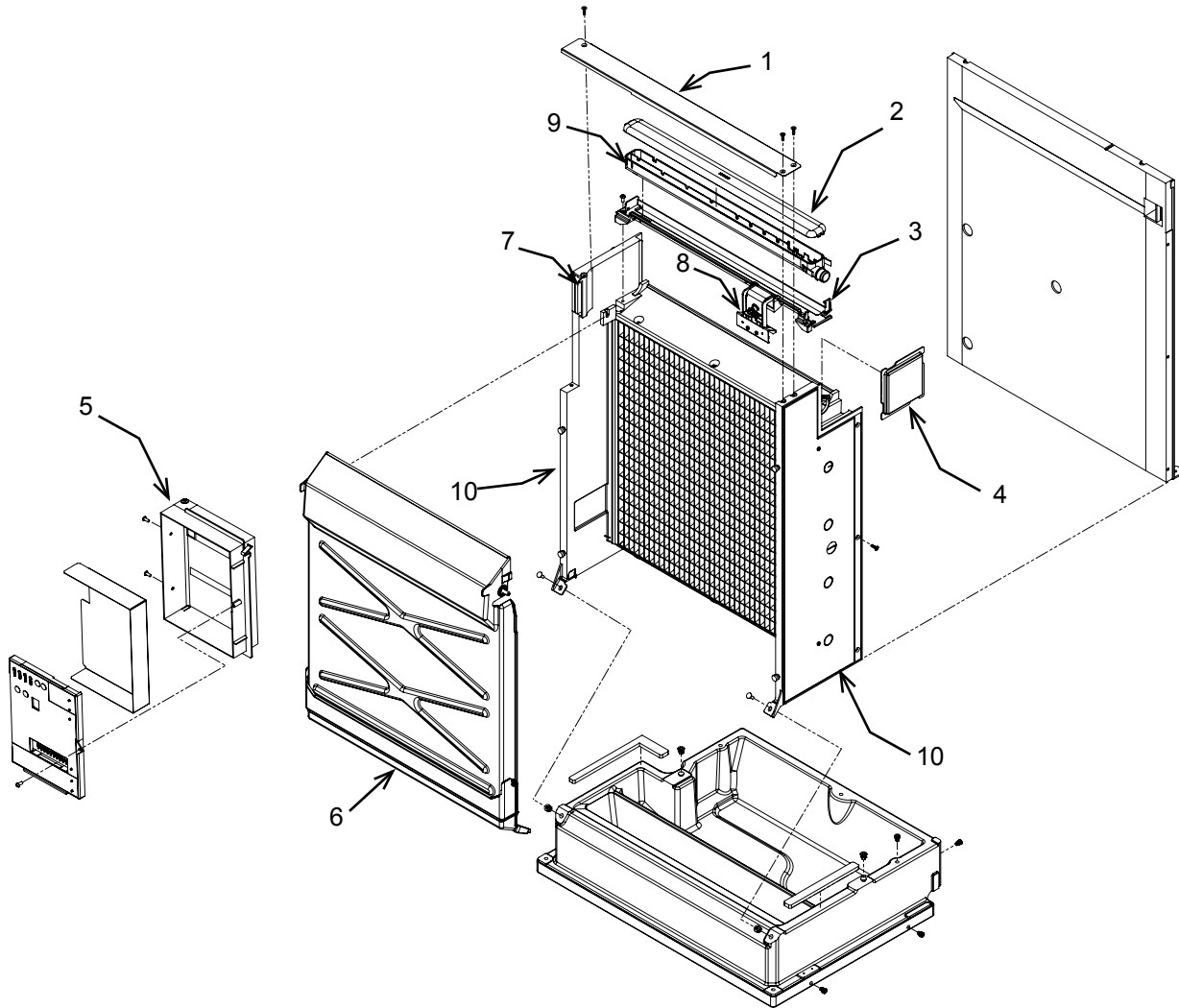
Item Number	Part Number	Description
1	A39070-001	Top panel bracket
2	12-2922-01	Inlet water sol valve, 115/60 Hz
2a	11-0568-02	Inlet water sol valve, 230/50 Hz
3	02-4290-01	Vent hose
4	13-0674-02	Tube, use 16 in
5	A40185-001	Back panel

Not shown

6	02-4716-01	Water inlet tube, 50 Hz only
---	------------	------------------------------

Prodigy Eclipse ECC and EH222 Service Parts

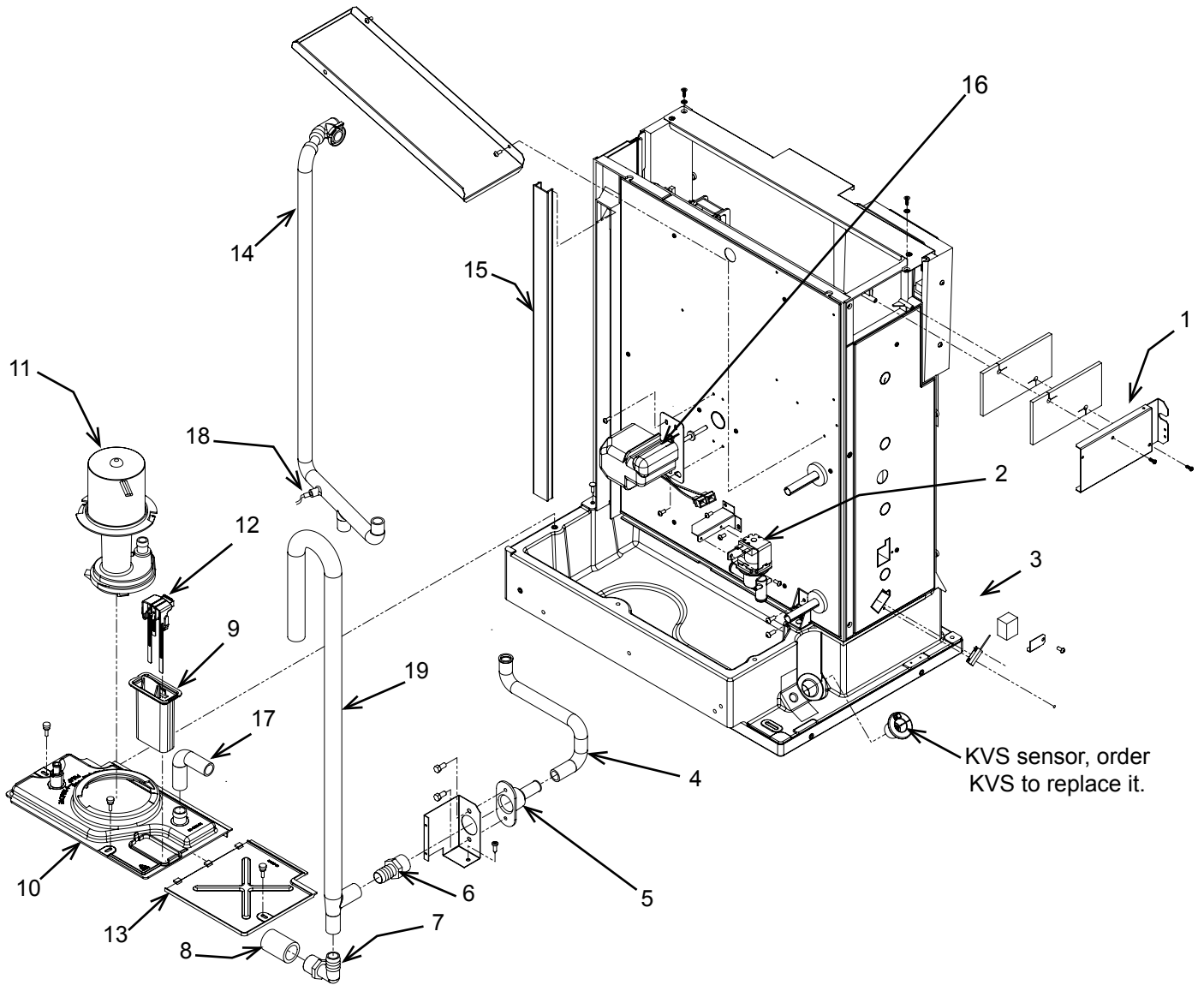
EH222 Interior Parts



Item Number	Part Number	Description
1	A39078-001	Bracket
2	02-4065-01	Water distributor cover
3	02-4205-02	Mounting bracket
4	02-4297-01	Evap side cover
5	02-4343-01	Controller box
6	02-4611-21	Curtain only (articulated)
7	A39053-021	Evaporator, small cube
	A39053-022	Evaporator, med cube
8	A39031-021	Ice thickness sensor
9	02-4064-02	Water distributor
10	A39054-001	Left surround
	A39056-001	Right surround

Prodigy Eclipse ECC and EH222 C Service Parts

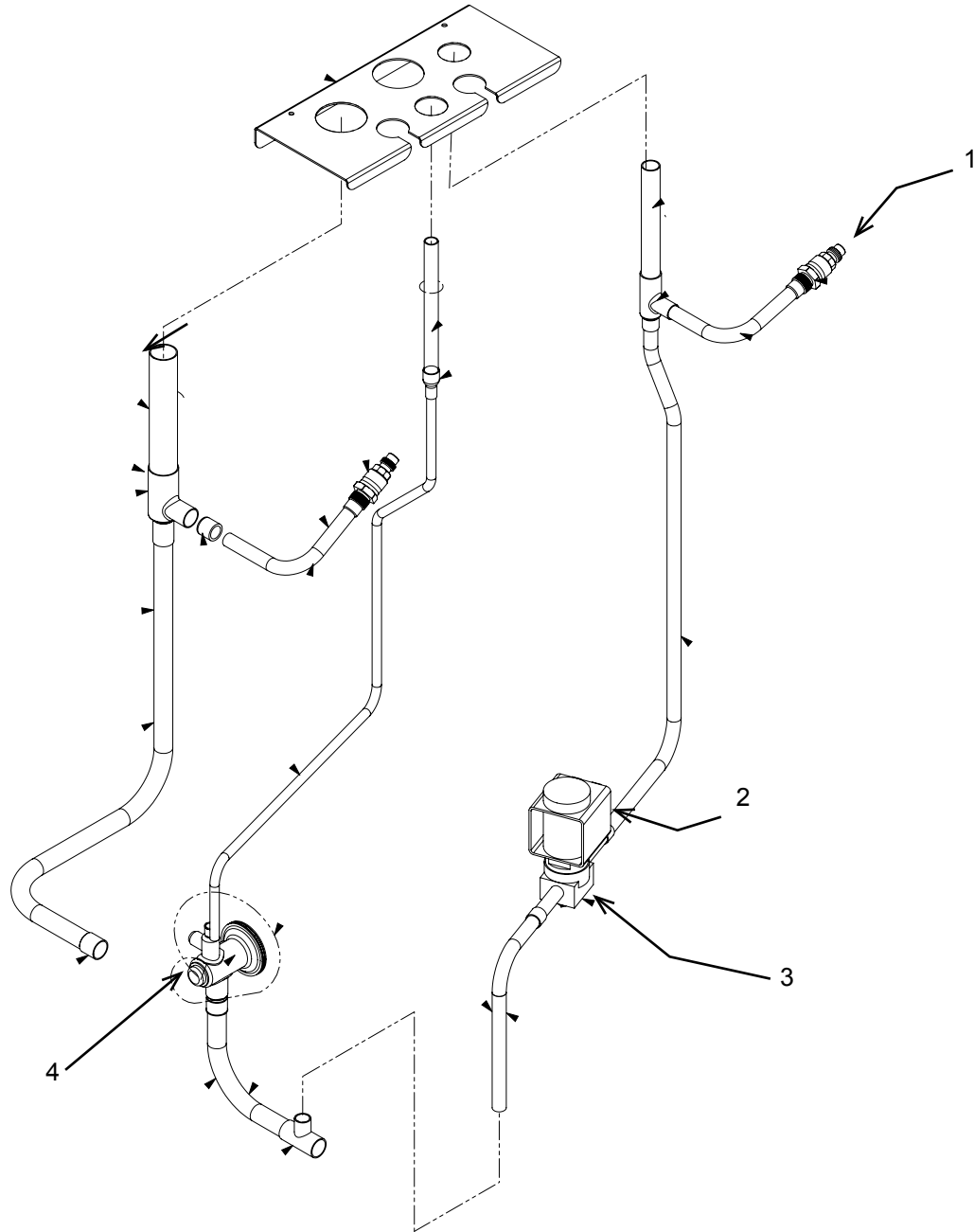
EH222 Water System



Item Number	Part Number	Description	Item Number	Part Number	Description
1	A39277-001	Chase cover	13	02-4292-01	Sump cover
2	11-0564-01	Purge valve - 60 Hz	14	02-4286-01	Pump hose
	11-0564-02	Purge valve - 50 Hz	15	02-4296-01	Hose cover
3	11-0563-03	Curtain switch	16	12-3060-21	Harvest assist sol, 60 Hz
4	A39232-002	Drain hose		12-3060-22	Harvest assist sol, 50 Hz
5	02-3692-21	Drain adapter	17	A39232-001	Drain tube, inlet
6	16-1099-01	Fitting	18	11-0515-21	Water temp sensor
7	16-1134-01	Elbow	19	02-4290-01	Drain and vent tube
8	16-1099-02	Coupling, pvc			
9	02-4646-01	Sensor guard,			
10	02-4650-01	Pump bracket			
11	12-2920-24	Water pump, 60 Hz			
	12-2920-25	Water pump, 50 Hz			
12	A39030-021	Water level sensor			

Prodigy Eclipse ECC and EH222 Service Parts

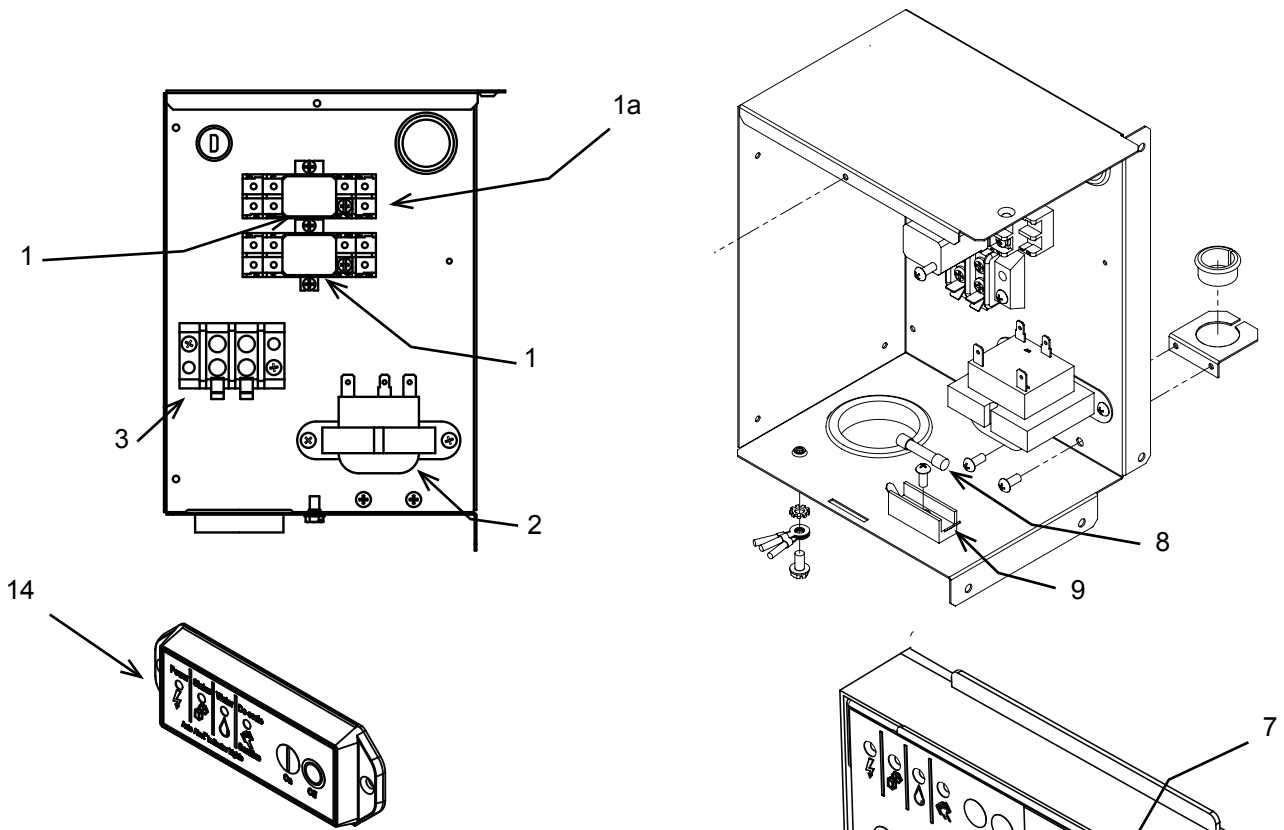
EH222 Refrigeration



Item Number	Part Number	Description
1	16-1137-01	Access valve seat
	16-1140-01	Access valve cap
	16-1139-01	Access valve core
2	12-2719-21	Coil, 115 volt
3	11-0493-02	Vapor solenoid valve - 115/60 Hz
	11-0491-01	Vapor solenoid valve, - 230/50 Hz
4	16-1142-01	TXV
4a	19-0599-06	Insulation, TXV

Prodigy Eclipse ECC and EH222 Service Parts

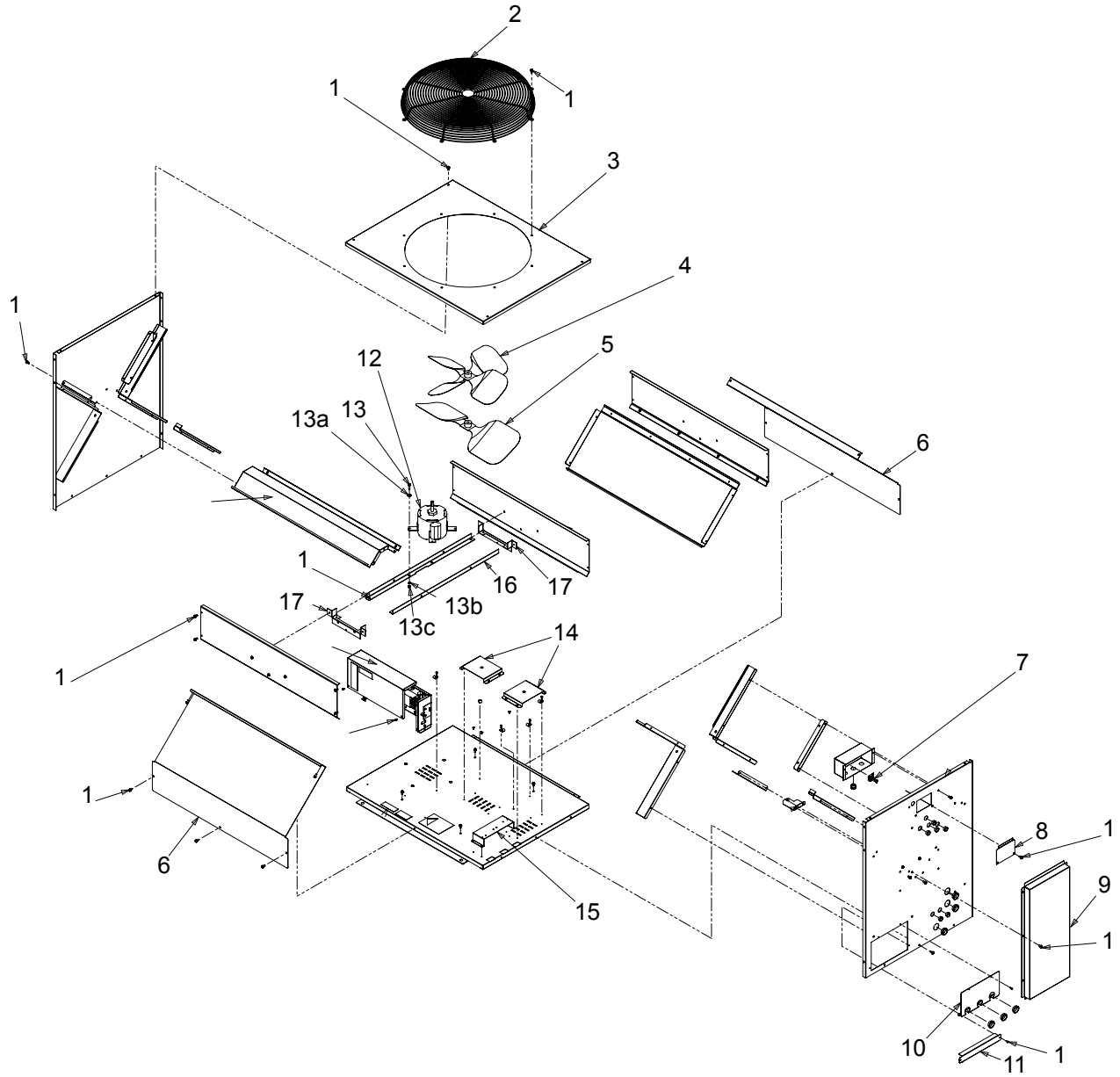
EH222 Electrical



Item Number	Part Number	Description
1	12-2949-01	Relay, 60 Hz
	12-2949-03	Relay, 50 Hz
1a	12-2949-02	Relay base
2	12-2924-01	Transformer, 60 Hz
	12-2639-01	Transformer, 50 Hz
3	12-2780-01	Terminal strip
4	11-0621-21	Service controller, fits all Prodigy cubers
	11-0550-28	Service controller, thru C series
5	02-4189-01	Overlay label
6	02-4076-01	Control box door
7	KVS	Vari-Smart control, complete with sensor
8	12-2686-01	Fuse, 50 Hz only
9	12-2687-01	Fuse holder, 50 Hz only
Not shown:		
10	12-1638-19	Power cord, 60 Hz
	12-1638-25	Power cord, 50 Hz
11	12-2957-01	High voltage harness, 60 Hz
	12-3074-02	High voltage harness, 50 Hz
12	12-2954-01	Low voltage harness, 60 Hz
	12-3072-01	Low voltage harness, 50 Hz
13	12-2928-01	Water level sensor harness
	14	11-0622-21 Lower Switch Panel W/ Harness

Prodigy Eclipse ECC and EH222 Service Parts

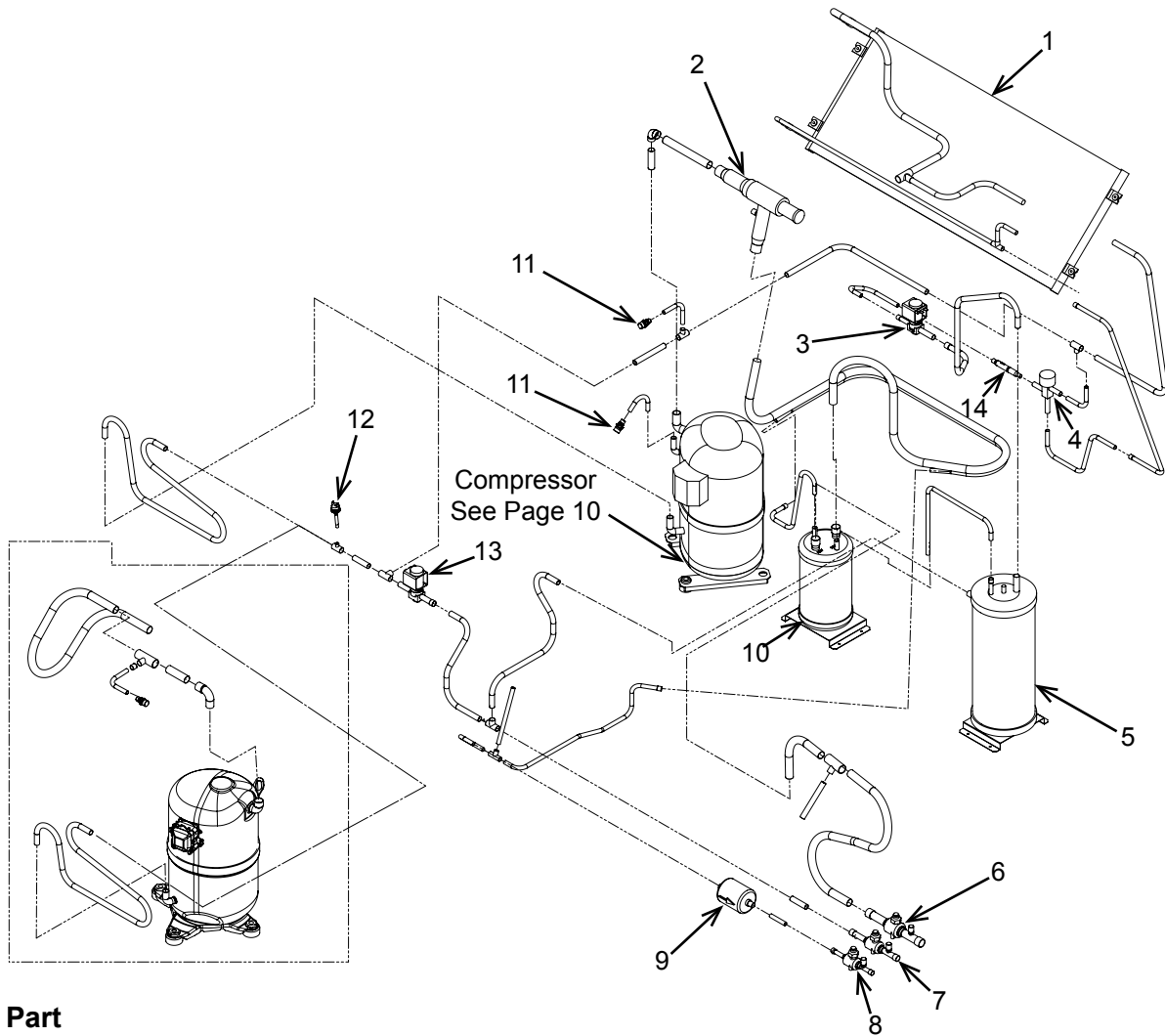
ECC Cabinet and Fan



Item Number	Part Number	Description
1	03-1645-01	Screw
2	02-3575-01	Fan guard, 0800, 1410
	02-3770-01	Fan guard, 1800
3	A39744-001	Top panel, 0800, 1410
	A39744-002	Top panel, 1800
4	18-8816-01	Fan blade, 0800, 1410
5	18-8820-01	Fan blade, 1800
6	A40100-001	Cover
7	12-2640-01	Terminal strip, 50 Hz only
8	A37128-001	Box cover
9	A40091-001	Chase cover
10	A40094-001	Valve cover
11	A40106-001	Lower cover
12	12-2651-03	Fan motor, 0800, 1410
	12-2717-02	Fan motor, 1800
13	03-1405-08	Hex bolt
13a	03-1407-06	Flat washer
13b	03-1410-03	Lock washer
13c	03-1406-08	Nut
14	A37948-001	Bracket
15	A40093-001	Bracket
16	A39749-001	Motor bracket
17	A37282-001	Support

Prodigy Eclipse ECC and EH222 Service Parts

ECC Refrigeration Components



Item Number	Part Number	Description
1	18-8945-22	Coil
2	16-1096-21	CPR valve
3	11-0546-01	Liquid line inlet valve
4	11-0422-22	Head master valve
5	16-1085-03	Receiver
6	16-1208-03	Ball valve 3/4
7	16-1208-02	Ball valve 1/2
8	16-1208-01	Ball valve 3/8
9	02-3319-02	Dryer
10	16-1157-21	Accumulator, 0800, 1410
	16-1122-21	Accumulator, 1800
11	16-1137-01	Access valve seat
	16-1139-01	Access valve core
	16-1140-01	Access valve cap
12	11-0501-02	High pressure cut out switch
13	11-0507-03	Bypass valve
14	16-1029-01	Check valve

Prodigy Eclipse ECC and EH222 Service Parts

ECC0800 and ECC1410 Compressors

Compressor - see table below

Model	Phase	Hz	Part Number
ECC0800-32	single	60	18-8813-23
ECC0800-3	three	60	18-8813-25
ECC0800-6	single	50	18-8749-27
ECC1410-32	single	60	18-8965-21
ECC1410-3	three	60	18-8965-22

Single phase 60 Hz compressors include starting components.

All include a drier.

All have internal overloads

12-3043-03 Crankcase heater for 18-8813 and 18-8749 type
 Crankcase heater for 18-8965 type is internal.

Mounting parts for compressors:

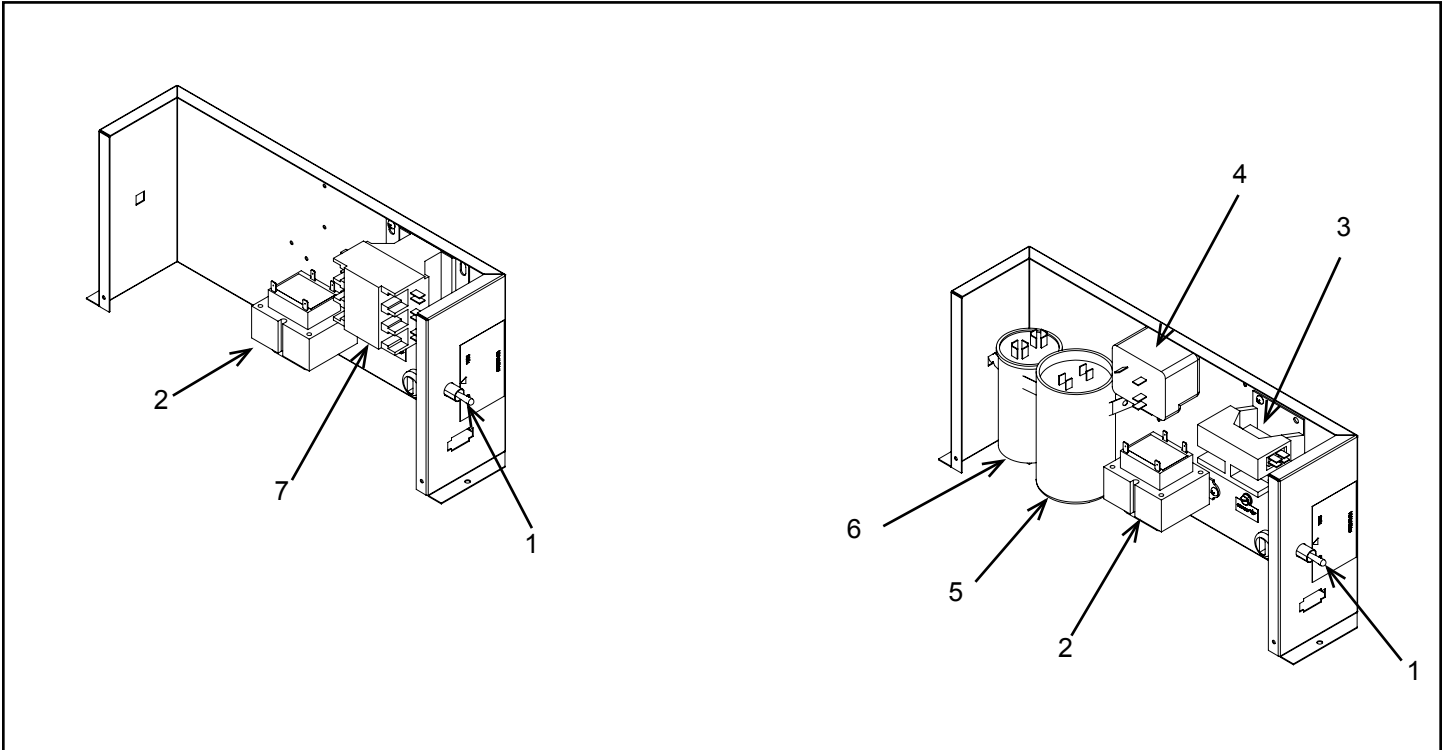
18-2300-27 Mounting grommet
 18-2300-26 Sleeve
 03-1407-07 Flat washer
 03-1405-20 Cap screw

Parts Shipped in condensing unit:

12-2865-01 75' Interconnecting harness

Prodigy Eclipse ECC and EH222 Service Parts

ECC0800 and ECC1410 Control Box



Three Phase Control Box

Single Phase Control Box

Item Number	Part Number	Description
1	12-2637-01	Toggle switch
2	12-2836-02	Transformer, 60 Hz models 230 volt to 24 volt
	12-2639-02	Transformer, 50 Hz models
3	12-2469-01	Single phase contactor

		ECC0800-32	ECC0800-6	ECC1410-32
4	Comp. Relay	18-1903-33	18-1903-33	18-1903-72
5	Start Capacitor	18-1901-15	18-1901-48	18-1901-59
6	Run Capacitor	18-1902-69	18-1902-70	18-1902-69

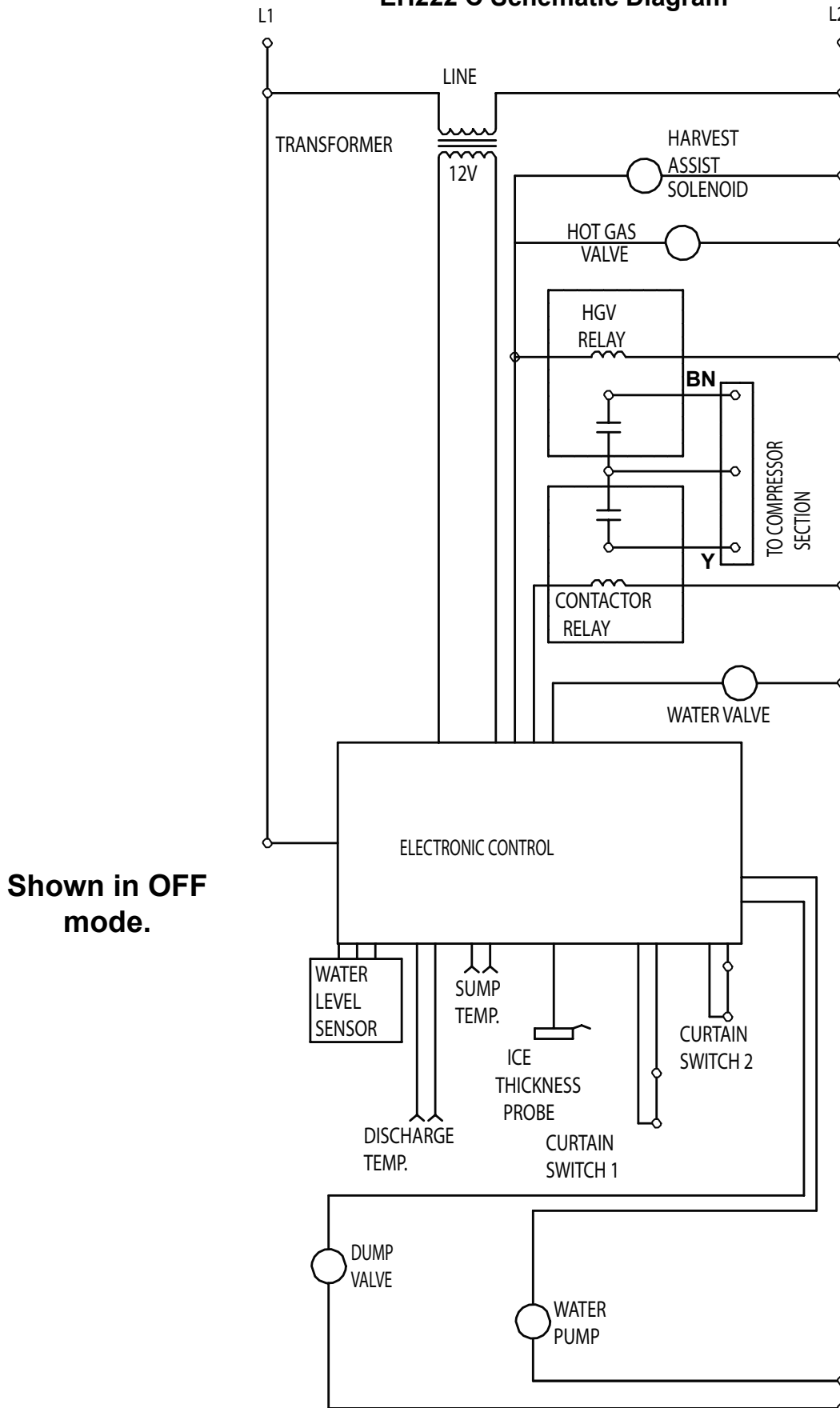
7	12-2533-01	Contactor, 3 phase
---	------------	--------------------

Not Shown:

8	12-3043-03	Crankcase heater, 0800
9	12-2686-01	Fuse, 50 Hz models only
10	12-2687-01	Fuse holder, 50 Hz models only
11	12-2640-01	Terminal block, 50 Hz models only

Prodigy Eclipse ECC and EH222 Service Parts

EH222 C Schematic Diagram



Shown in OFF mode.

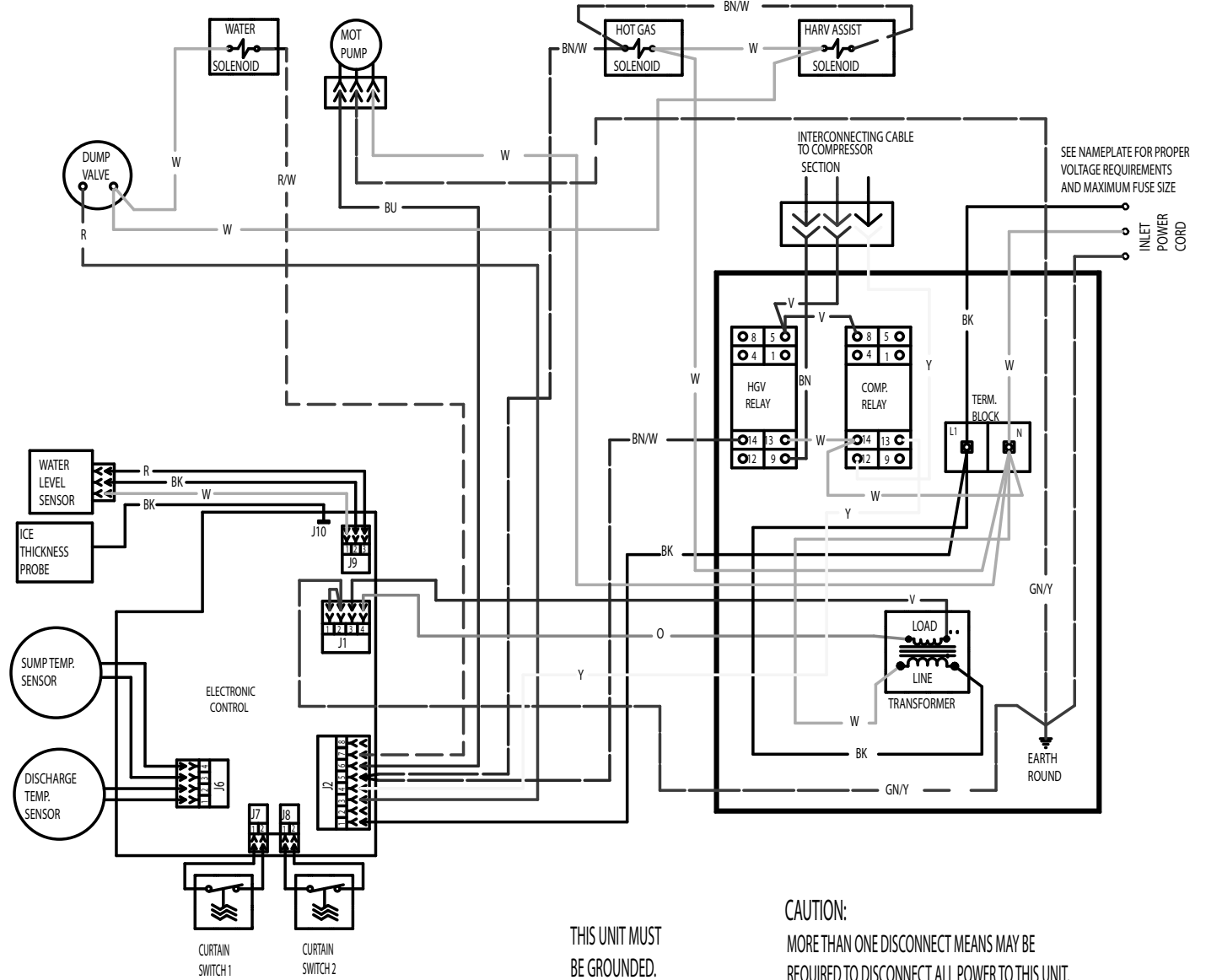
Prodigy Eclipse ECC and EH222 Service Parts

EH222 C Wiring Diagram

USE COPPER CONDUCTORS ONLY

17-3111-01

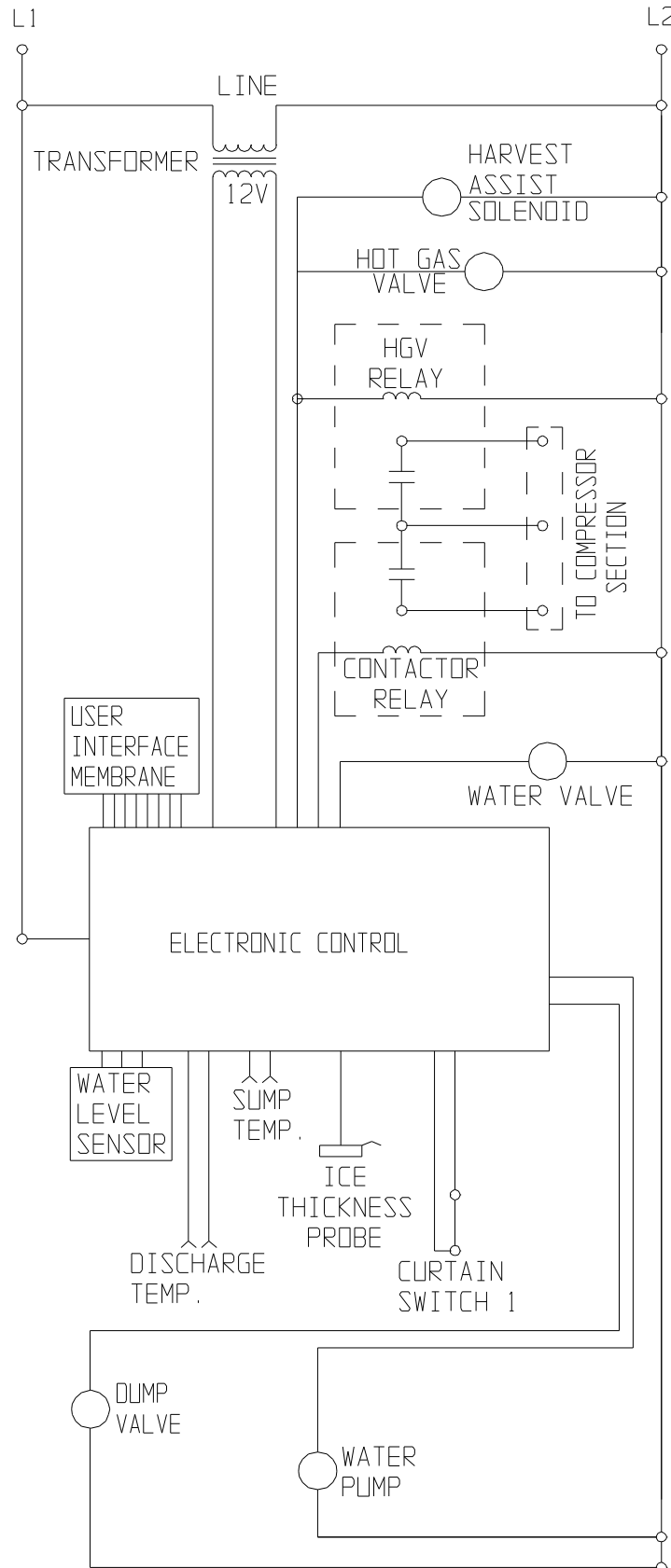
⚠ DASHED LINES INDICATE FIELD WIRING WHICH MUST BE INSTALLED IN ACCORDANCE WITH THE NATIONAL ELECTRICAL CODE AND ALL STATE AND LOCAL CODES.



	Freeze: Coil	Freeze: Contacts	Harvest: Coil	Harvest: Contacts
Comp Relay	Energized (by Y)	8-12 closed (to Y)	Energized (by Y)	8-12 Closed (to Y)
HGV Relay	NOT Energized	5-9 Open	Energized (by BN/W)	5-9 Closed (to BN)

Prodigy Eclipse ECC and EH222 Service Parts

EH222 D Schematic Diagram



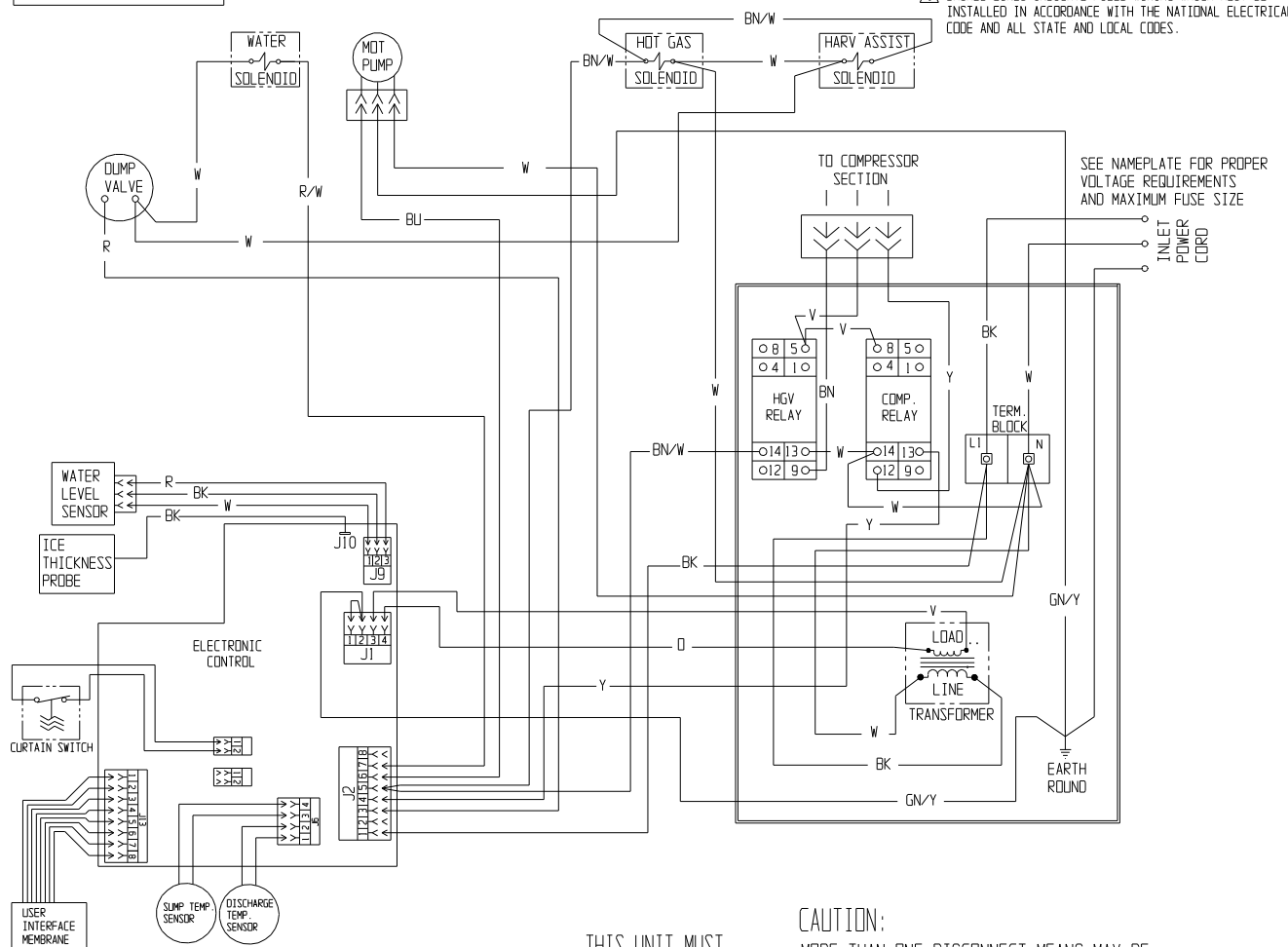
Prodigy Eclipse ECC and EH222 Service Parts

EH222 D Wiring Diagram

17-3537-01

USE COPPER CONDUCTORS ONLY

⚠ DASHED LINES INDICATE FIELD WIRING WHICH MUST BE INSTALLED IN ACCORDANCE WITH THE NATIONAL ELECTRICAL CODE AND ALL STATE AND LOCAL CODES.



SEE NAMEPLATE FOR PROPER VOLTAGE REQUIREMENTS AND MAXIMUM FUSE SIZE

INLET POWER CORD

EARTH ROUND

THIS UNIT MUST BE GROUNDED.

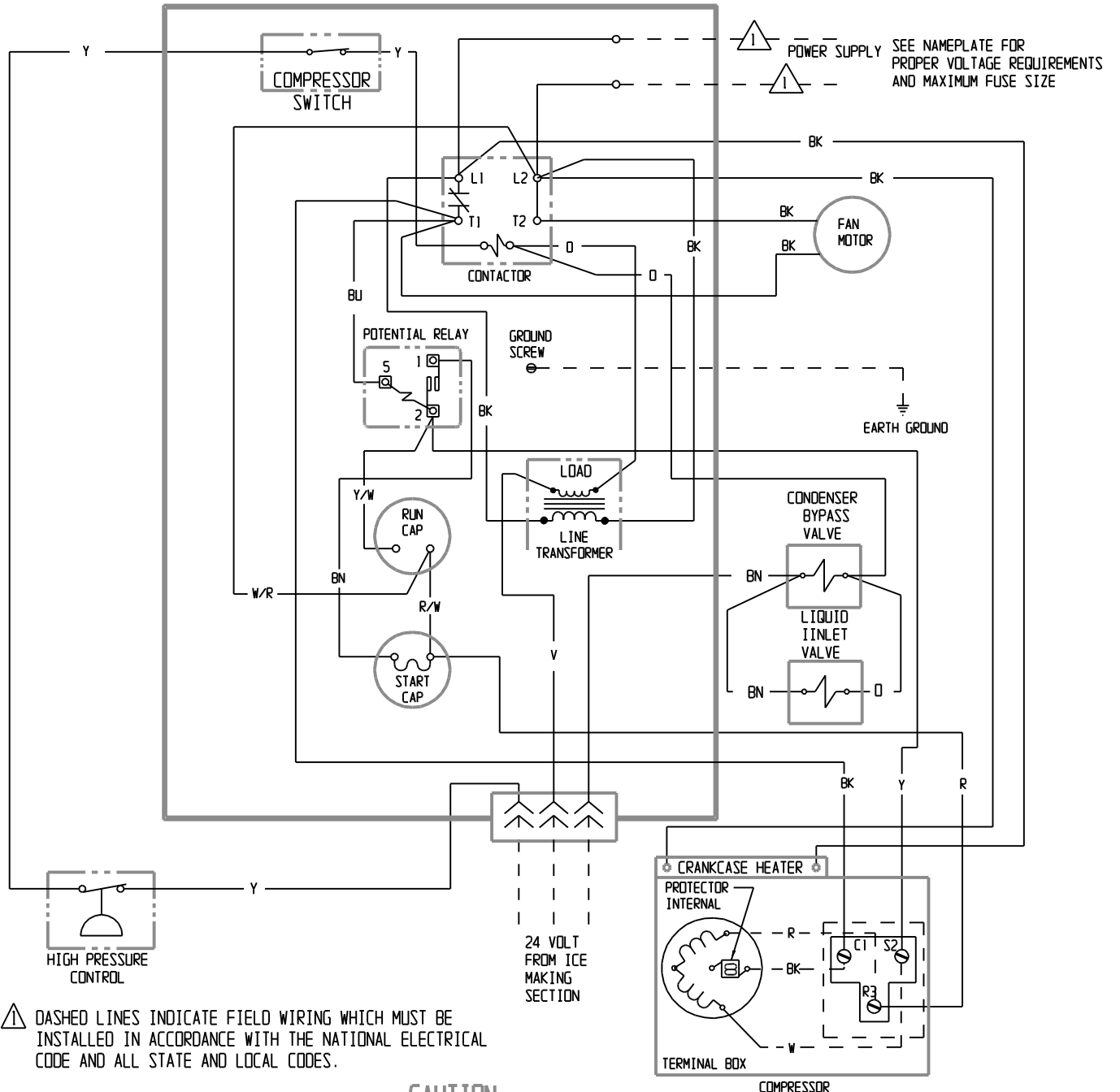
CAUTION:
MORE THAN ONE DISCONNECT MEANS MAY BE REQUIRED TO DISCONNECT ALL POWER TO THIS UNIT.

Prodigy Eclipse ECC and EH222 Service Parts

ECC0800 and ECC1410 Single Phase Wiring Diagram

17-3461-01

USE COPPER CONDUCTORS ONLY



⚠ DASHED LINES INDICATE FIELD WIRING WHICH MUST BE INSTALLED IN ACCORDANCE WITH THE NATIONAL ELECTRICAL CODE AND ALL STATE AND LOCAL CODES.

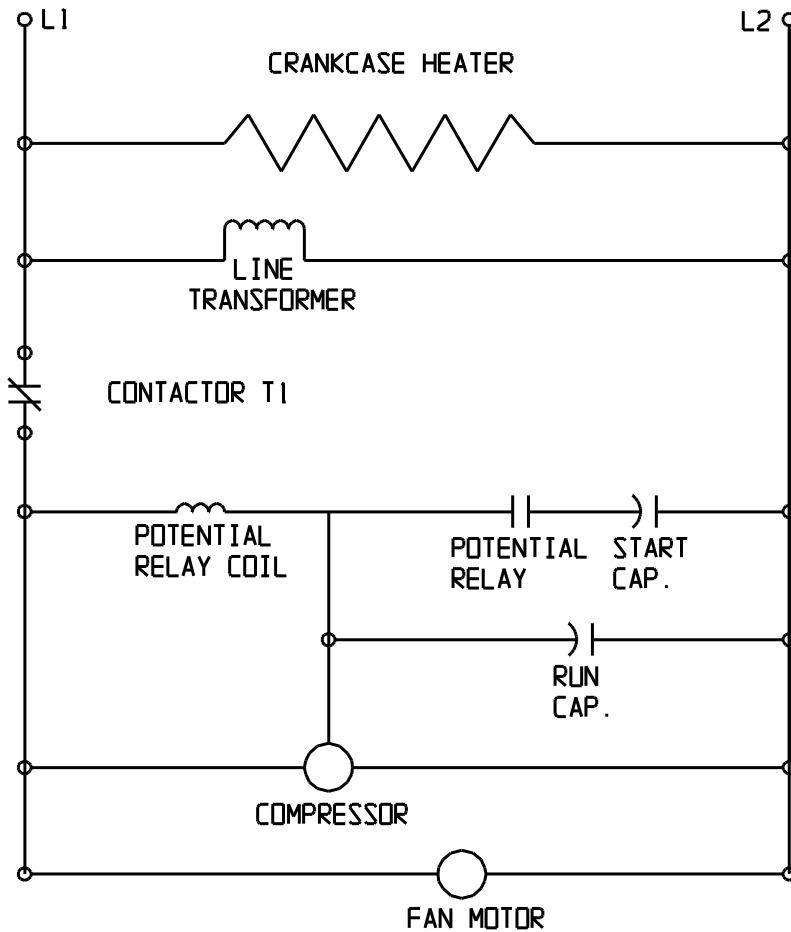
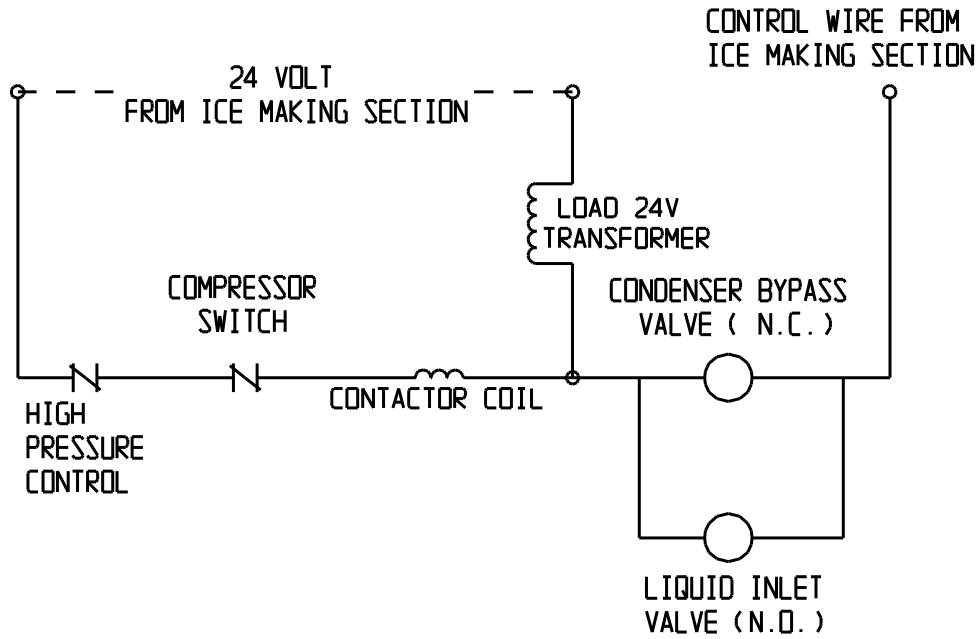
CAUTION:

THIS UNIT MUST BE GROUNDED.

MORE THAN ONE DISCONNECT MEANS MAY BE REQUIRED TO DISCONNECT ALL POWER TO THIS UNIT.

Prodigy Eclipse ECC and EH222 Service Parts

ECC0800 and ECC1410 Single Phase Schematic Diagram

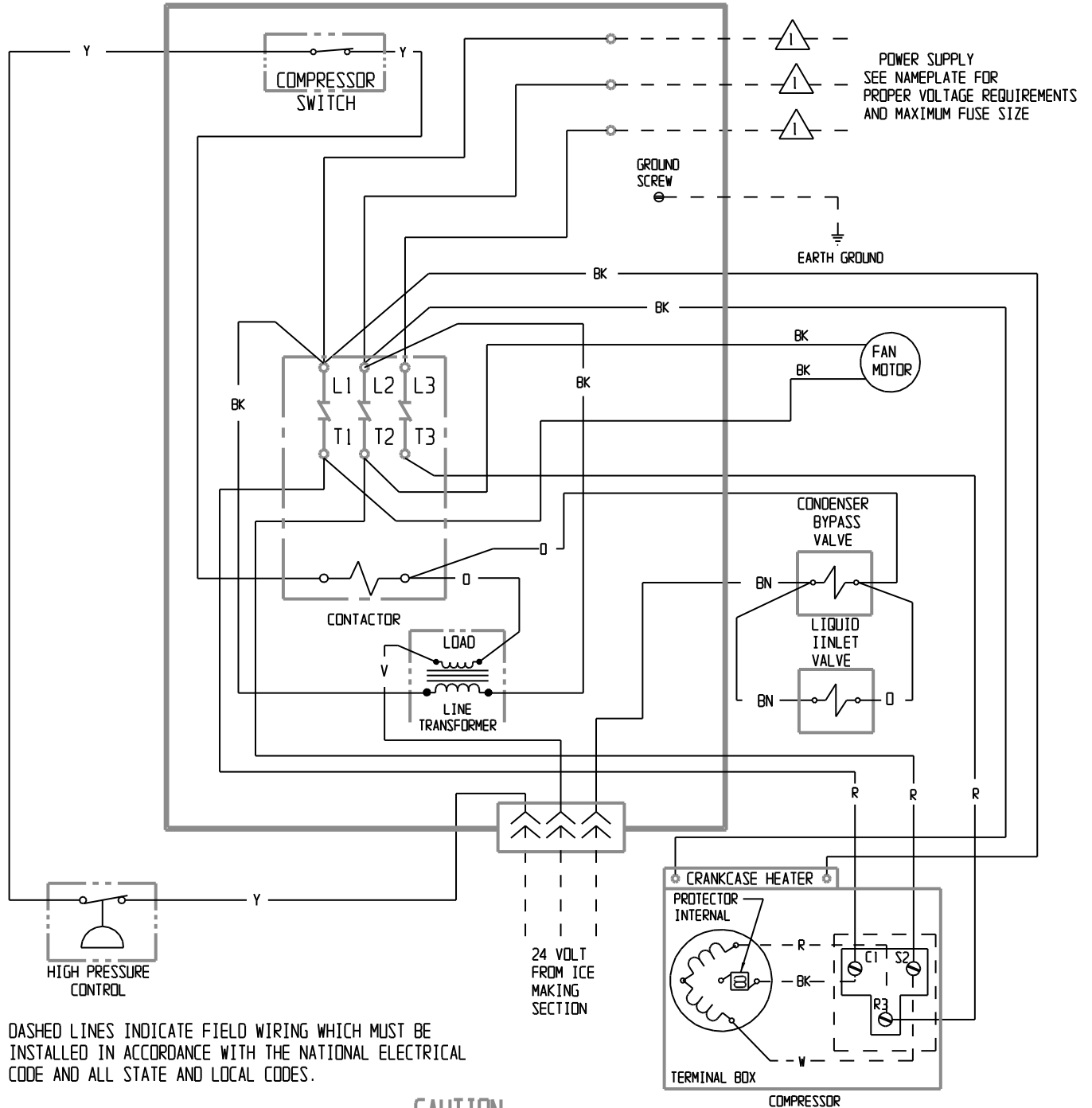


Prodigy Eclipse ECC and EH222 Service Parts

ECC0800 and ECC1410 Three Phase Wiring Diagram

17-3460-01

USE COPPER CONDUCTORS ONLY



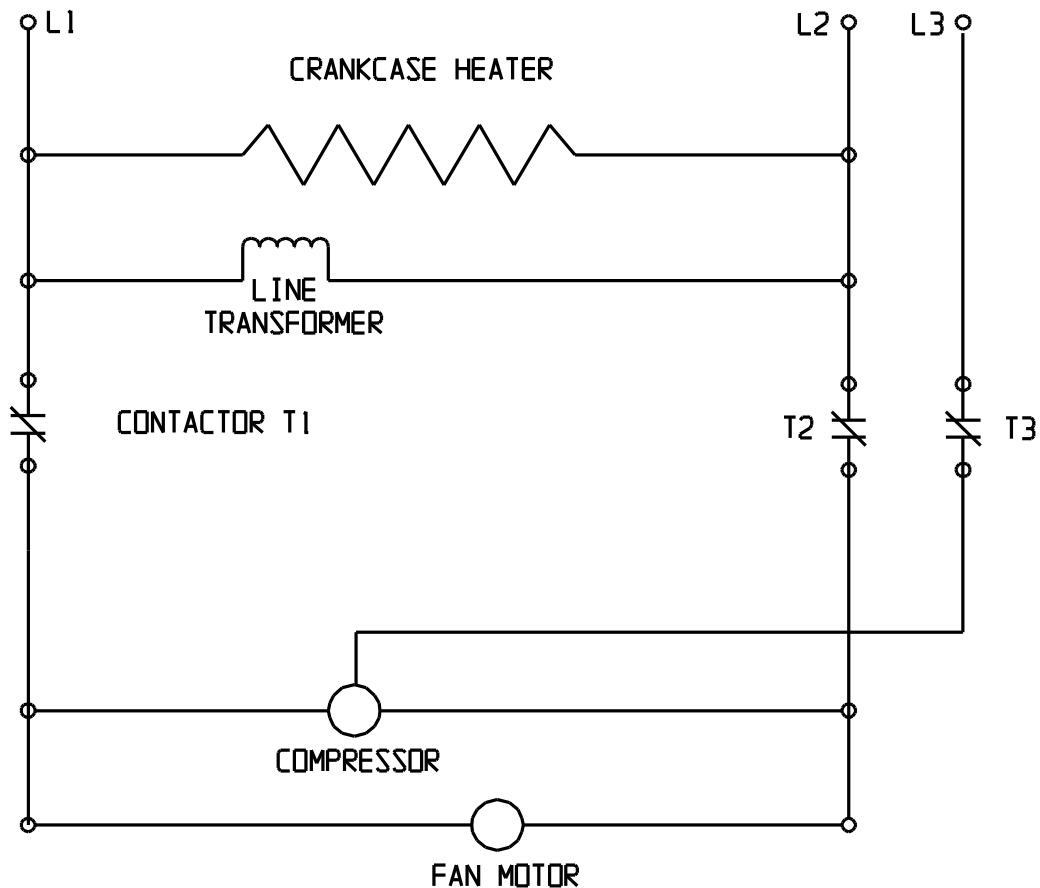
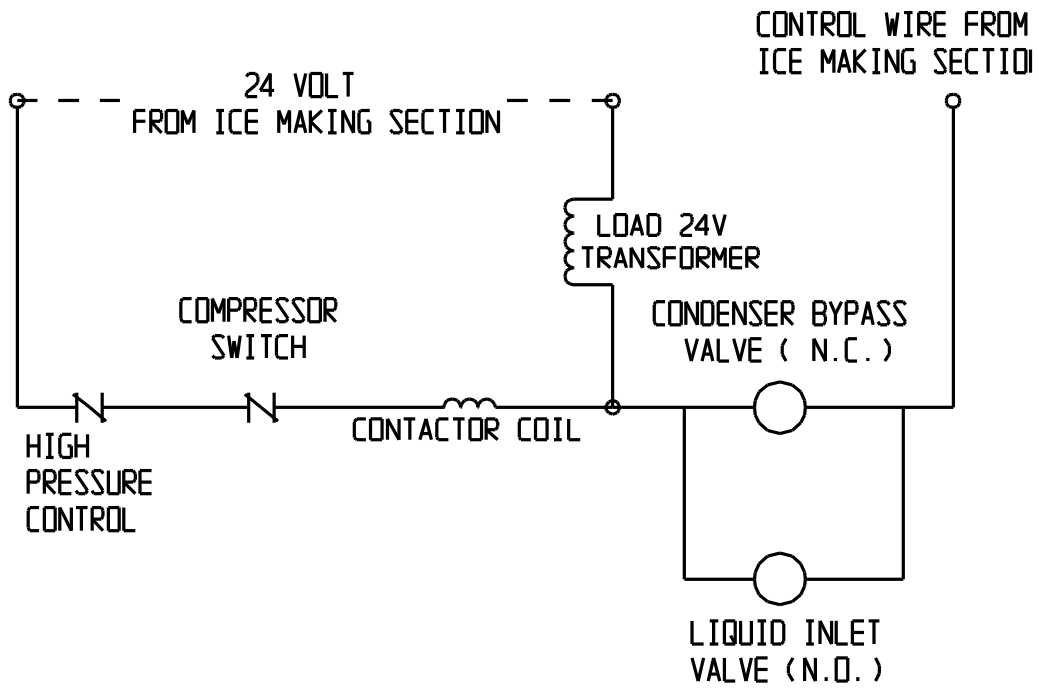
⚠ DASHED LINES INDICATE FIELD WIRING WHICH MUST BE INSTALLED IN ACCORDANCE WITH THE NATIONAL ELECTRICAL CODE AND ALL STATE AND LOCAL CODES.

CAUTION:
MORE THAN ONE DISCONNECT MEANS MAY BE REQUIRED TO DISCONNECT ALL POWER TO THIS UNIT.

THIS UNIT MUST BE GROUNDED.

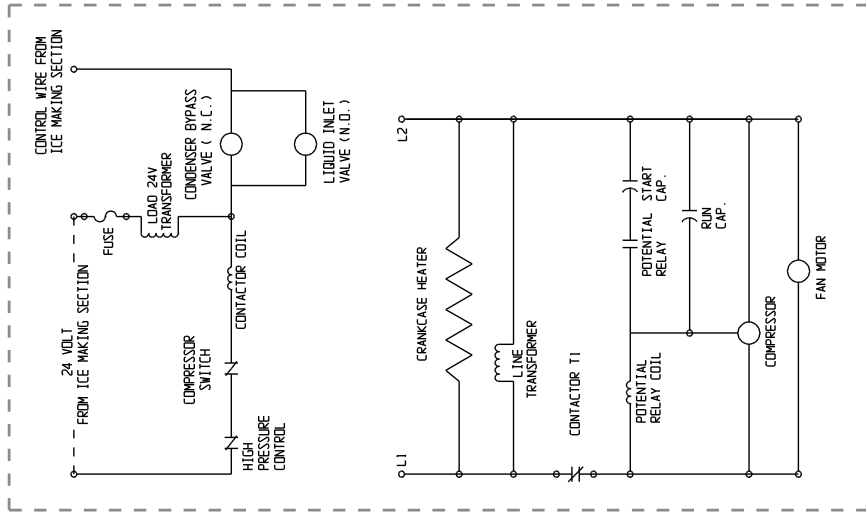
Prodigy Eclipse ECC and EH222 Service Parts

ECC0800 and ECC1410 Three Phase Schematic Diagram

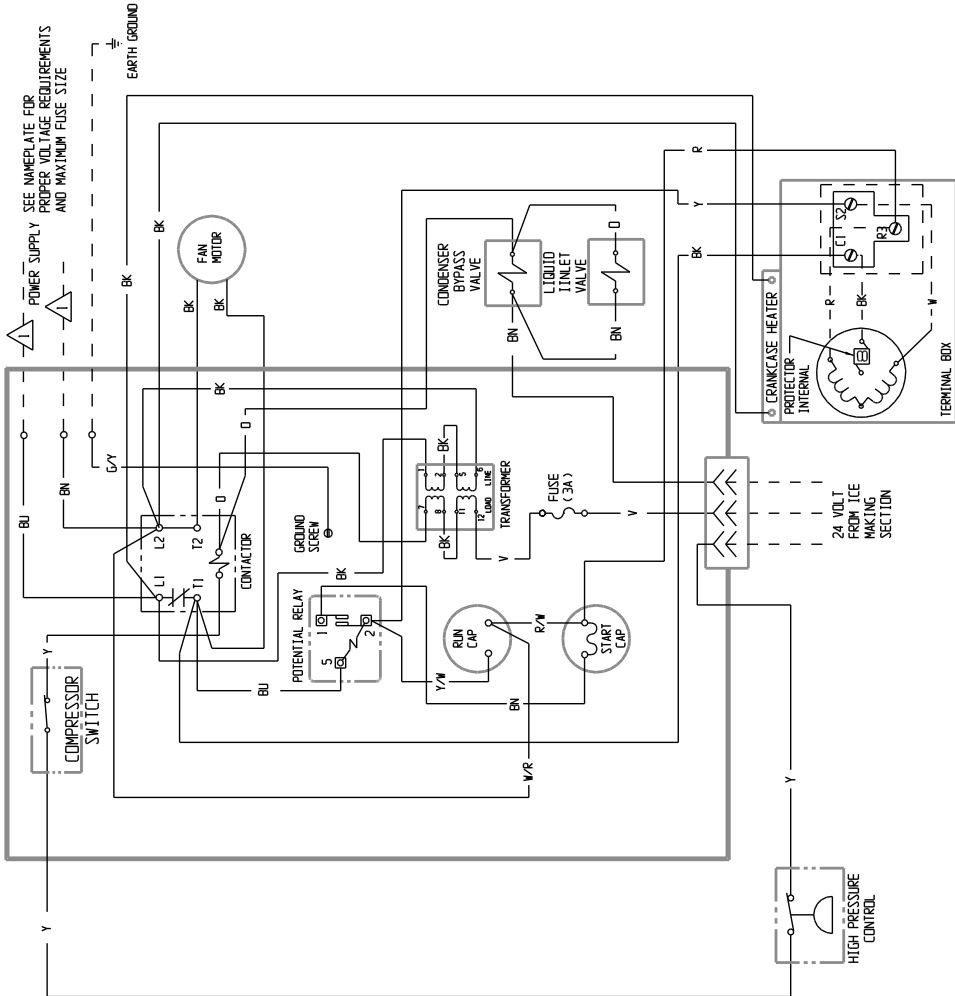


Prodigy Eclipse ECC and EH222 Service Parts 50 Hz Model Wiring and Schematic Diagram

⚠ DASHED LINES INDICATE FIELD WIRING WHICH MUST BE INSTALLED IN ACCORDANCE WITH THE NATIONAL ELECTRICAL CODE AND ALL STATE AND LOCAL CODES.



USE COPPER CONDUCTORS ONLY



CAUTION:
MORE THAN ONE DISCONNECT MEANS MAY BE REQUIRED TO DISCONNECT ALL POWER TO THIS UNIT.

THIS UNIT MUST BE GROUNDED.

17-3462-01