

FD5C Parts List

Table of Contents

Cabinet

Ice Dispensing

Water and Drains

Air Cooled

Water Cooled

Evaporator

Gear Reducer

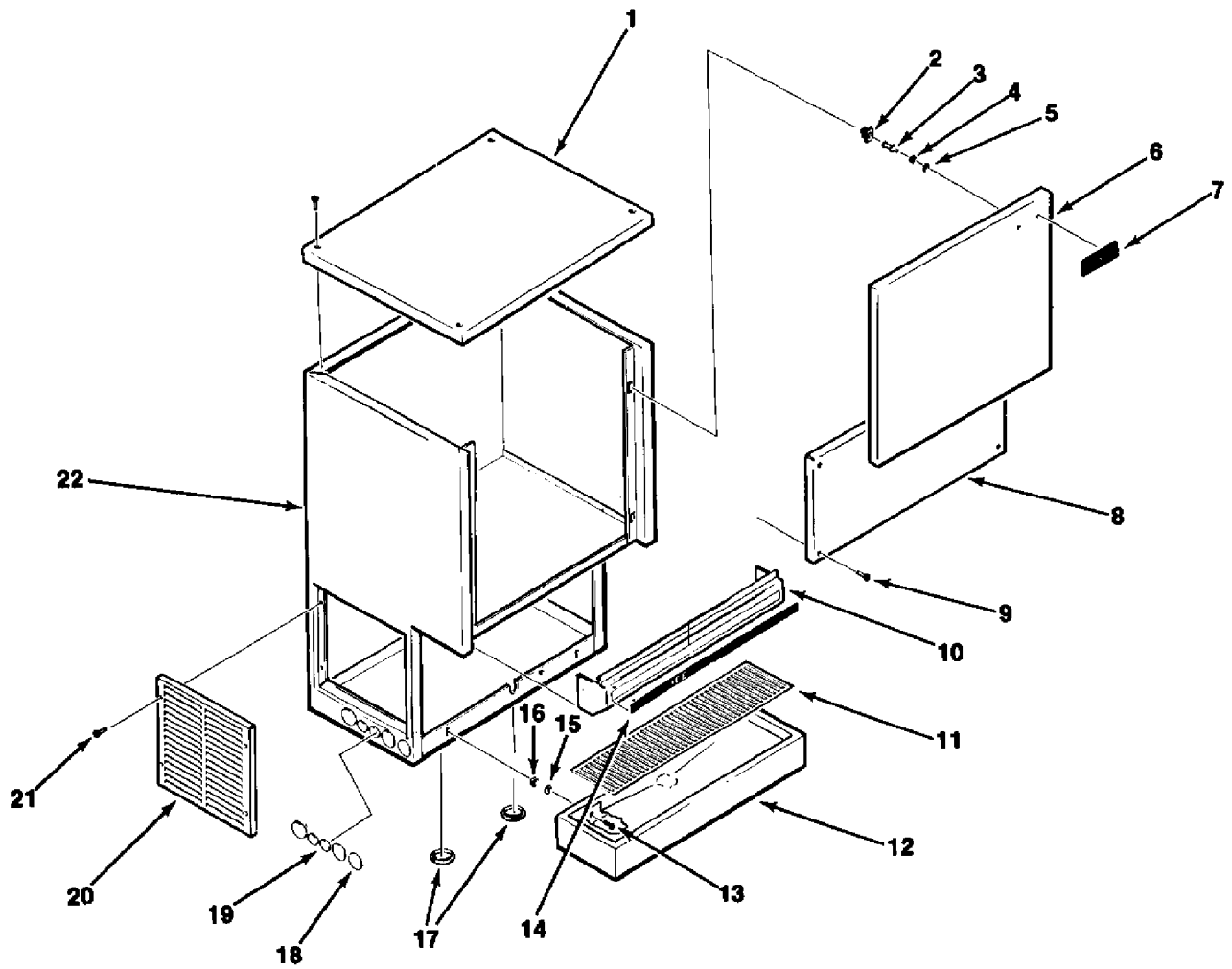
Compressor

Bin Top

Control Box

Wiring Diagrams

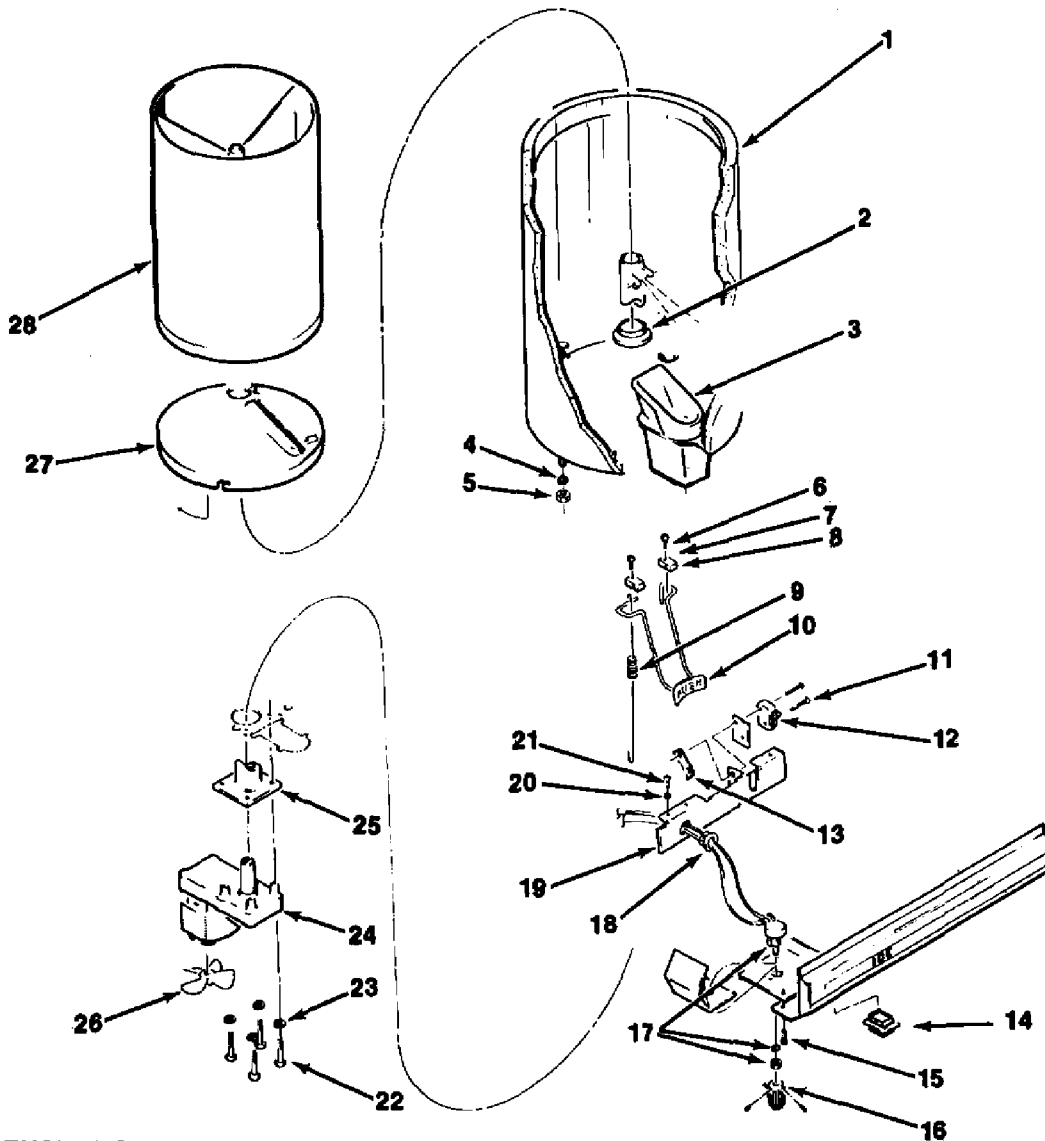
FD5
THE PARTS ILLUSTRATION AND PARTS LISTINGS



CABINET ASSEMBLY

ITEM NUMBER	PART NUMBER	DESCRIPTION
1	A20192-003	Cabinet Top, Enamel
	A20192-001	Cabinet Top, Stainless Steel
2	02-0836-00	Catch (8 required)
3	15-0411-00	Strike (8 required)
4	03-1406-03	Nut, No. 8-32 Hex
5	03-1417-03	Lockwasher, No. 8 External Tooth
6	A20192-002	Upper Front Panel, Enamel
	A20192-001	Upper Front Panel, Stainless Steel
7	15-0681-01	Scotsman Emblem
8	A19339-000	Splash Panel, Stainless Steel
9	03-1419-09	Screw, No. 8 x 1-1/4
10	A21273-000	Panel, Control, Enamel
	A21273-001	Panel, Control, Stainless Steel
11	02-1858-00	Grill
12	A23212-000	Sink Assembly
13	03-1405-05	Screw, 1/4-20 x 5/8
14	15-0560-01	Decal
15	03-1410-03	Lockwasher, 1/4
16	03-1406-09	Nut, 1/4-20
17	No Number	Plug Button
18	No Number	Hole Plug
19	No Number	Hole Plug
20	A24140-004	Panel - Cond. Access, Enamel
	A24140-002	Panel - Cond. Access, Stainless Steel
21	15-0411-00	Strike (8 required)
22	A19945-003	Cabinet Frame, Enamel
	A19945-001	Cabinet Frame, Stainless Steel

FD5
THE PARTS ILLUSTRATION AND PARTS LISTINGS



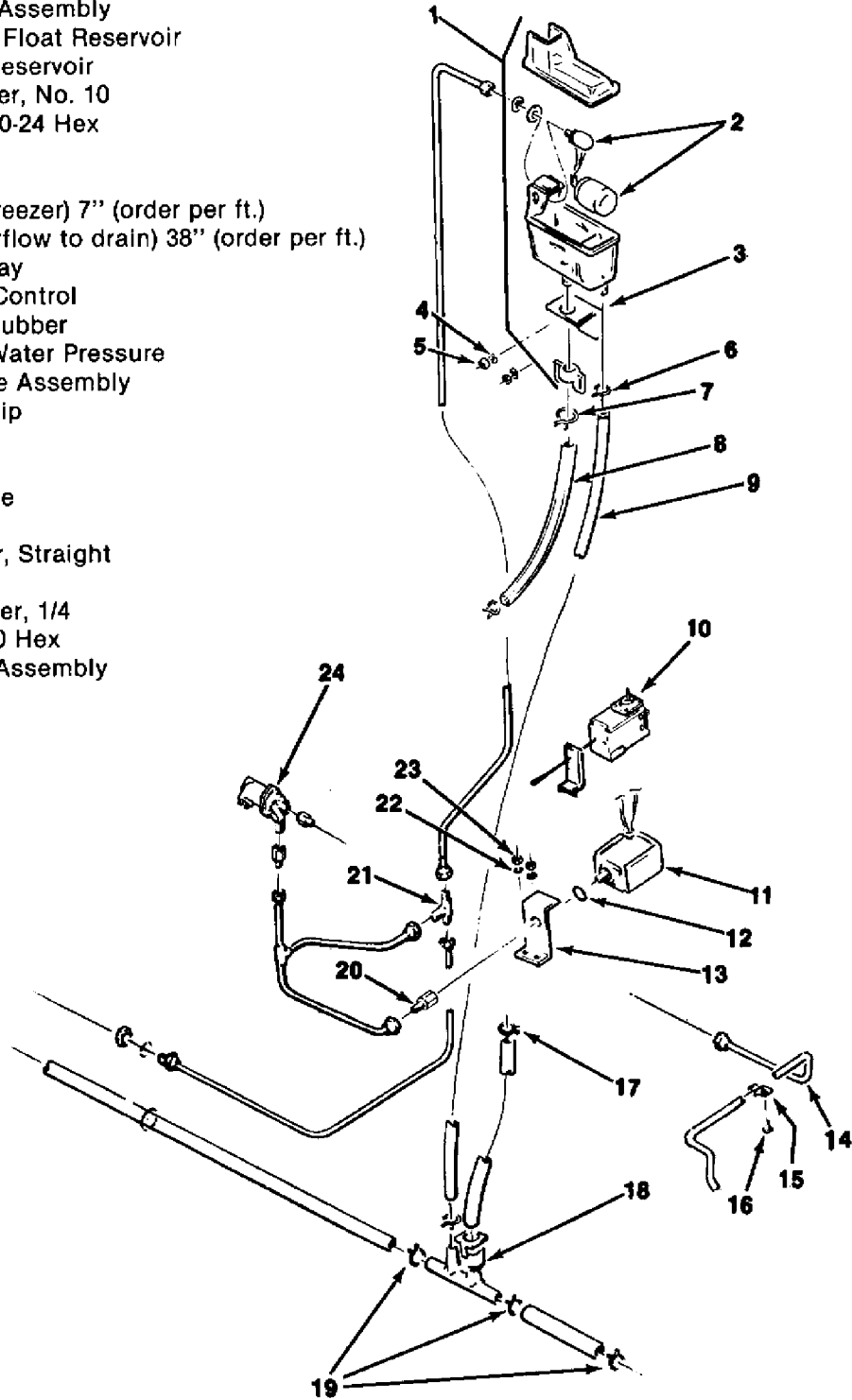
ICE DISPENSING SYSTEM

ITEM NUMBER	PART NUMBER	DESCRIPTION
1	A21386-001	Bin Assembly, Insulation
2	13-0747-00	Water Shed
3	02-1726-00	Rubber Spout
4	03-1410-03	Lockwasher
5	03-1406-09	Hex Nut
6	03-1403-06	Panhead Machine Screw
7	03-1417-14	Lockwasher
8	02-1969-00	Arm Ciamp
9	02-1827-00	Spring
10	02-2076-01	Glass Filler Lever
11	03-1403-62	Screw, 4-40 x 7/8
12	12-1642-00	Switch
13	A22053-000	Speed Nut, Twin
14	12-1377-01	Switch
15	03-1404-09	Screw, No. 8 x 1/2
16	02-1810-00	Knob, Pointer
17	12-1557-00	Potentiometer
18	12-1213-10	Snap Bushing
19	A24325-001	Switch Plate Assembly
20	03-1417-03	Lockwasher
21	03-1403-16	Panhead Machine Screw
22	03-1403-36	Panhead Machine Screw
23	03-1410-02	Lockwasher
24	12-1561-01	Bin Drivemotor
25	02-1971-00	Gear Motor, Bracket
26	12-0675-25	Fan Blade
27	A30289-001	Inner Bin Bottom Assembly
28	A19349-001	Inner Bin Fab. Assembly

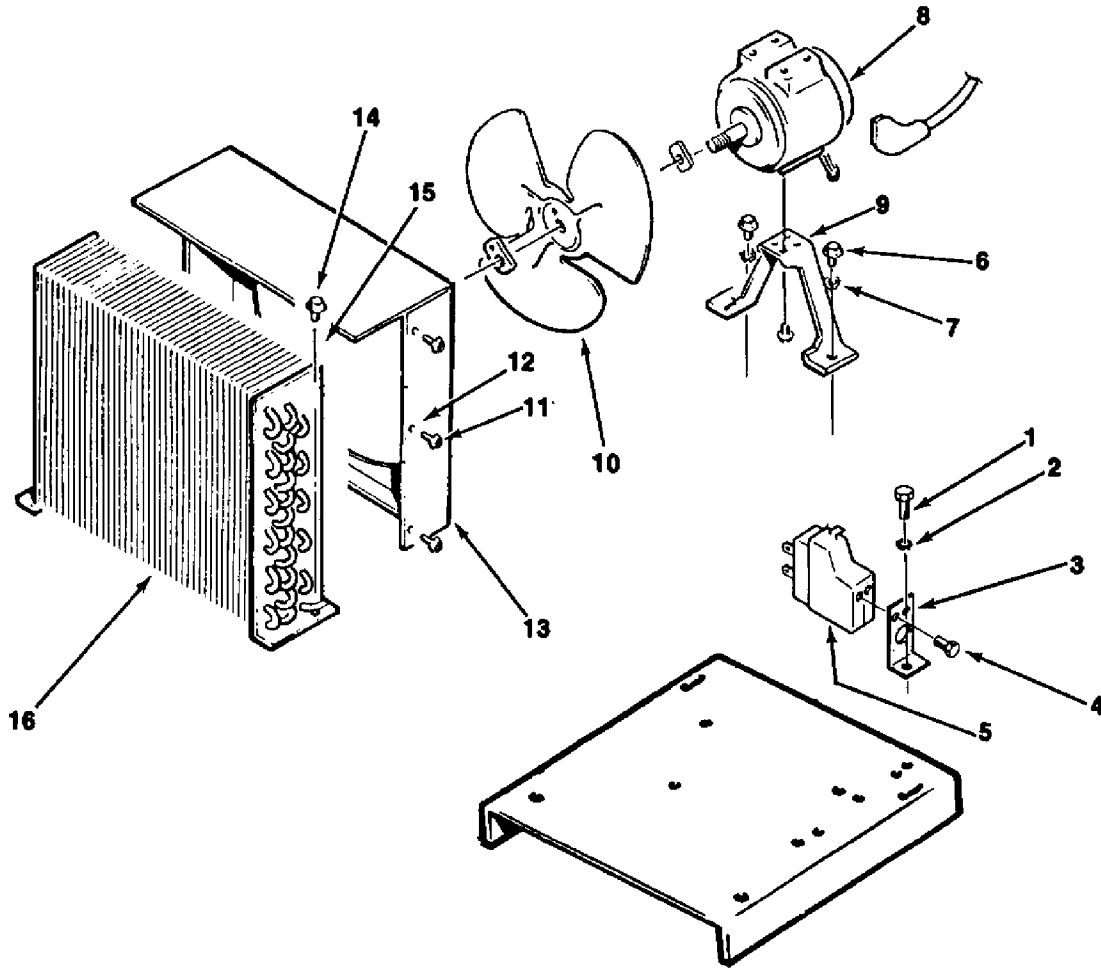
FD5
THE PARTS ILLUSTRATION AND PARTS LISTINGS

POTABLE WATER AND DRAINAGE SYSTEM

ITEM NUMBER	PART NUMBER	DESCRIPTION
1	02-2217-01	Reservoir Assembly
2	02-2217-02	Valve and Float Reservoir
3	A20959-000	Bracket, Reservoir
4	03-1410-02	Lockwasher, No. 10
5	03-1406-06	Nut, No. 10-24 Hex
6	02-0694-00	Clamp
7	02-0534-00	Clamp
8	13-0674-09	Tube (to freezer) 7" (order per ft.)
9	13-0079-03	Tube (overflow to drain) 38" (order per ft.)
10	11-0402-01	Auger Delay
11	11-0296-00	Pressure Control
12	No Number	Washer, Rubber
13	No Number	Bracket, Water Pressure
14	No Number	Water Line Assembly
15	No Number	Ground Clip
16	No Number	Screw
17	02-1338-00	Clamp
18	A21532-000	Double Tee
19	02-0534-00	Clamp
20	12-0350-00	Connector, Straight
21	No Number	Tee
22	03-1417-09	Lockwasher, 1/4
23	03-1406-09	Nut, 1/4-20 Hex
24	12-1646-01	Solenoid Assembly



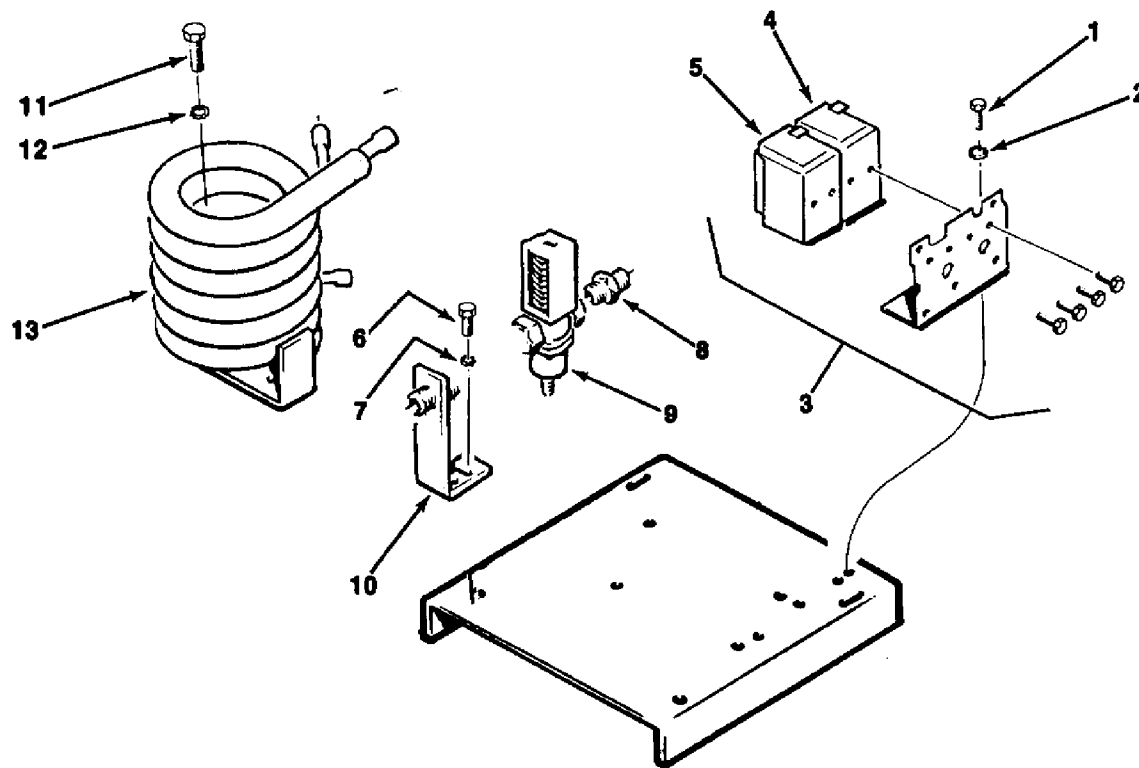
FD5
THE PARTS ILLUSTRATION AND PARTS LISTINGS



AIR-COOLED CONDENSER ASSEMBLY

ITEM NUMBER	PART NUMBER	DESCRIPTION
1	03-0571-00	Screw, No. 1/4-20 x 1/2 T/C Hex Cap
2	03-1417-09	Lockwasher, 1/4 External Tooth
3	No Number	Bracket Pressure Control
4	03-1403-02	Screw, No. 6-32 x 1/4 Phil Recess Pan HD
5	11-0420-01	Pressure Control, Low
6	03-0571-00	Screw, No. 1/4-20 x 1/2 T/C Hex Cap
7	03-1410-03	Lockwasher, 1/4 Helical Spring
8	12-1576-01	Fan Motor
9	18-0422-00	Fan Bracket
10	18-0137-02	Fan Blade
11	03-1404-15	Phil Recess Pan HD
12	03-1407-04	Washer, No. 10 Flat
13	A20550-000	Shroud, Condenser
14	03-1405-03	Screw, 1/4-20 x 1/2 Hex Cap
15	03-1417-09	Lockwasher, No. 1/4 External Tooth
16	18-1927-00	Condenser

FD5
THE PARTS ILLUSTRATION AND PARTS LISTINGS



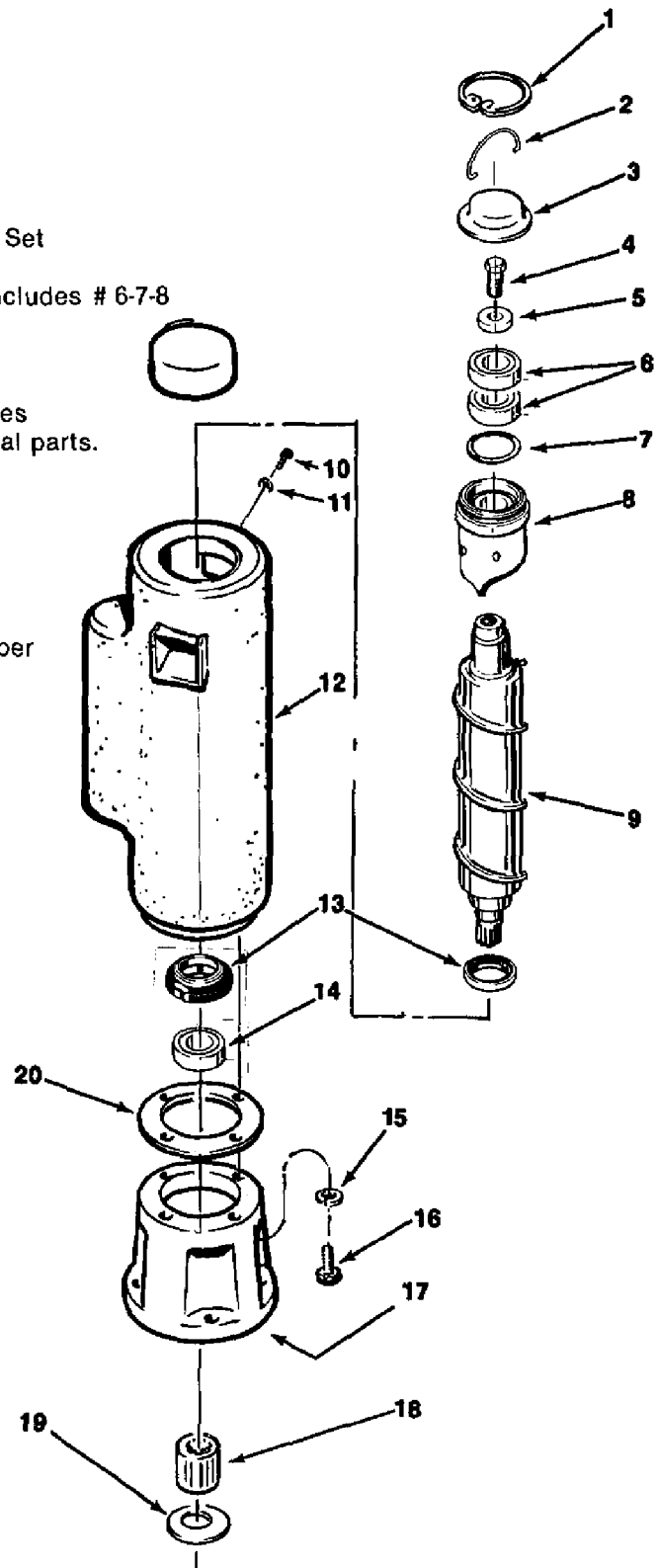
WATER-COOLED CONDENSER ASSEMBLY

ITEM NUMBER	PART NUMBER	DESCRIPTION
1	03-1404-08	Screw, No. 8 x 3/8 T/F Tap
2	03-1417-03	Lockwasher No. 8 External Tooth
3	11-0421-01	Pressure Control Assembly (Not Sold Separately)
4	<i>No Number</i>	Pressure Control, Hi
5	<i>No Number</i>	Pressure Control, Lo
6	03-0571-00	Screw, 1/4-20 x 1/2 T/C Hex Cap
7	13-1410-03	Lockwasher, 1/4 Helical Spring
8	A24487-003	Coupling
9	11-0198-02	Water Regulator
10	A15924-000	Pipe Nipple Assembly
11	03-0571-00	Screw, 1/4-20 x 1/4 T/C Hex Cap
12	03-1417-05	Lockwasher, 1/4 External Tooth
13	18-3303-02	Condenser Assembly (Water-Cooled)

FD5
THE PARTS ILLUSTRATION AND PARTS LISTINGS

FREEZER ASSEMBLY

ITEM NUMBER	PART NUMBER	DESCRIPTION
1	03-1558-03	Retainer Ring
2	A08162-000	Cap Hook
3	A07701-000	Cap
4	03-0758-00	Screw
5	A07699-000	Washer
6	02-1412-00	Top Bearing—Matched Set
7	13-0617-16	"O" Ring
8	A14678-020	Breaker with Bearing includes # 6-7-8
9	A29669-001	Auger
10	03-1403-46	Screw
11	03-1417-07	Washer
12	A26752-020	Evaporator Shell includes Suction Line, No internal parts.
13	02-1300-01	Water Seal
14	02-0417-00	Bearing, Lower
15	03-1410-04	Washer, (3 Req'd)
16	03-1405-42	Cap Screw (3 Req'd)
17	08-0595-01	Adapter
18	A29915-002	Spline Drive Coupling
19	13-0709-01	Shaft Drip Shield - Rubber
20	03-1505-00	Gasket

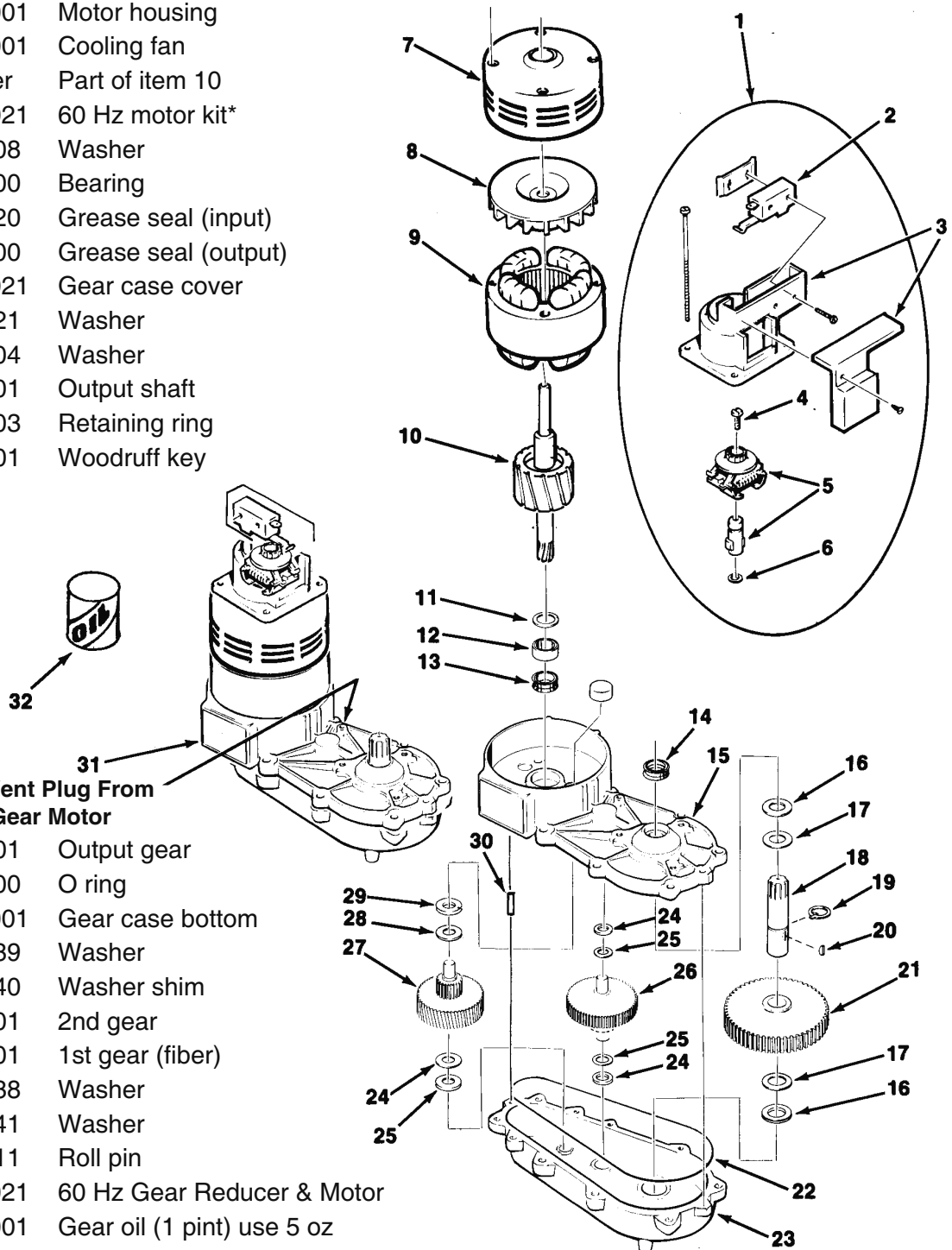


FD5 Service Parts

Gear Reducer and Motor

Item Number	Part Number	Description
1	A27494-001	Centrifugal switch kit
2	12-2059-01	Switch
3	A27494-001	Housing
4	03-1403-77	Screw
5	A30579-001	Shaft & actuator
6	03-1408-36	Washer
7	A38487-001	Motor housing
8	A28168-001	Cooling fan
9	no number	Part of item 10
10	A37707-021	60 Hz motor kit*
11	03-1408-08	Washer
12	02-1501-00	Bearing
13	02-3969-20	Grease seal (input)
14	02-1503-00	Grease seal (output)
15	A28165-021	Gear case cover
16	03-1408-21	Washer
17	03-1408-04	Washer
18	02-2445-01	Output shaft
19	03-1515-03	Retaining ring
20	03-1602-01	Woodruff key

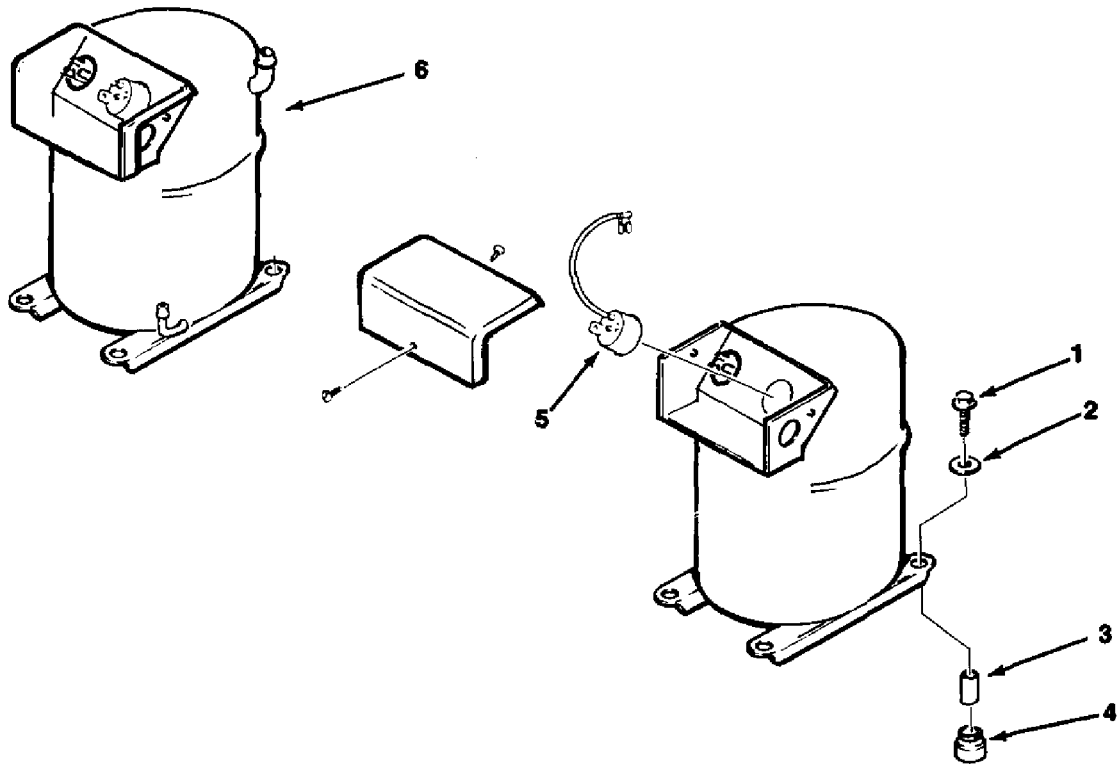
* includes items 7, 8, 9, 10, 11 and 12



Remove Rubber Vent Plug From Replacement Gear Motor

21	02-2444-01	Output gear
22	02-1505-00	O ring
23	A28166-001	Gear case bottom
24	03-1408-39	Washer
25	03-1408-40	Washer shim
26	02-2439-01	2nd gear
27	02-2438-01	1st gear (fiber)
28	03-1408-38	Washer
29	03-1408-41	Washer
30	03-0774-11	Roll pin
31	A31977-021	60 Hz Gear Reducer & Motor
32	A25835-001	Gear oil (1 pint) use 5 oz

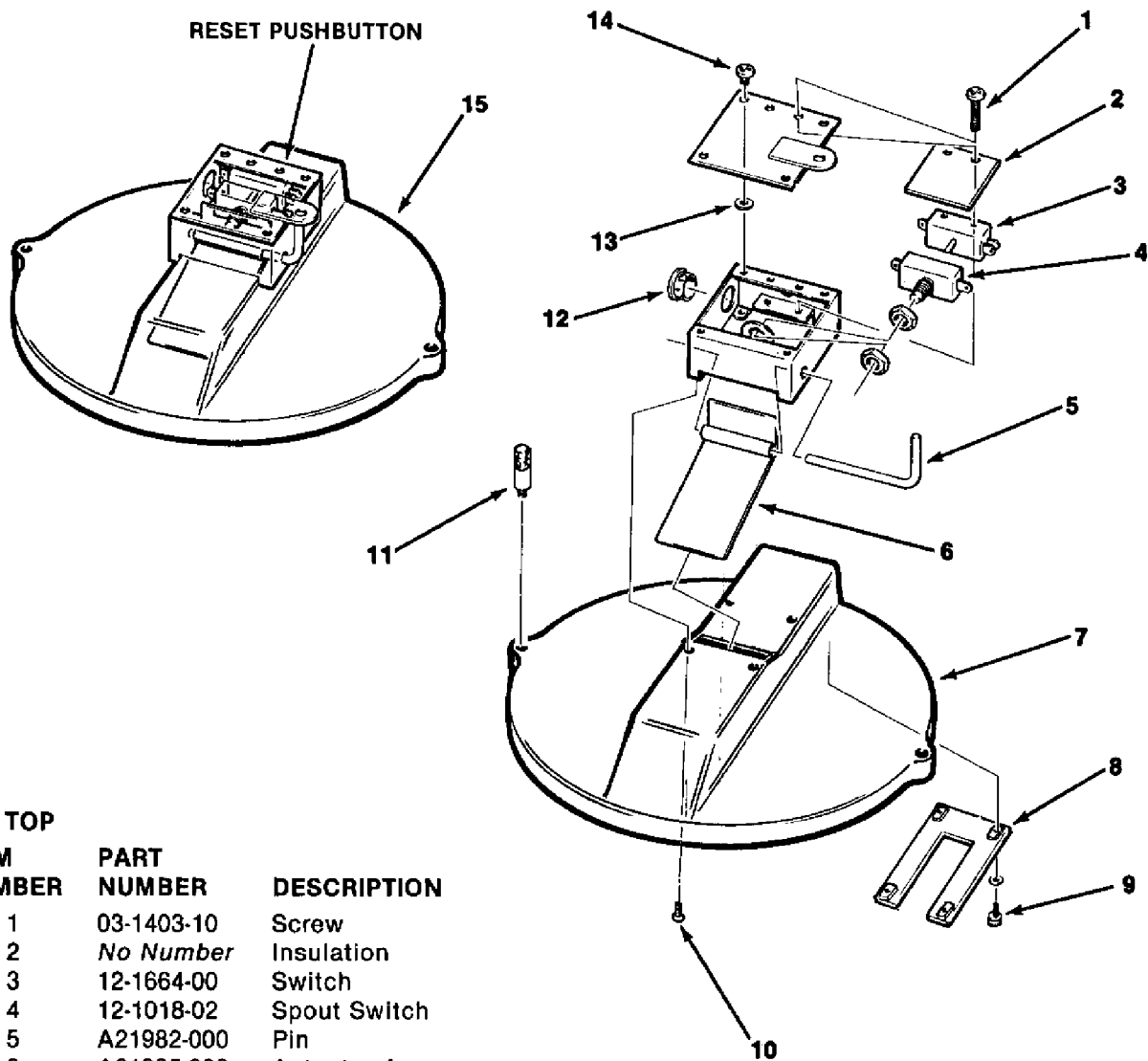
**FD5
THE PARTS ILLUSTRATION AND PARTS LISTINGS**



COMPRESSOR ASSEMBLY

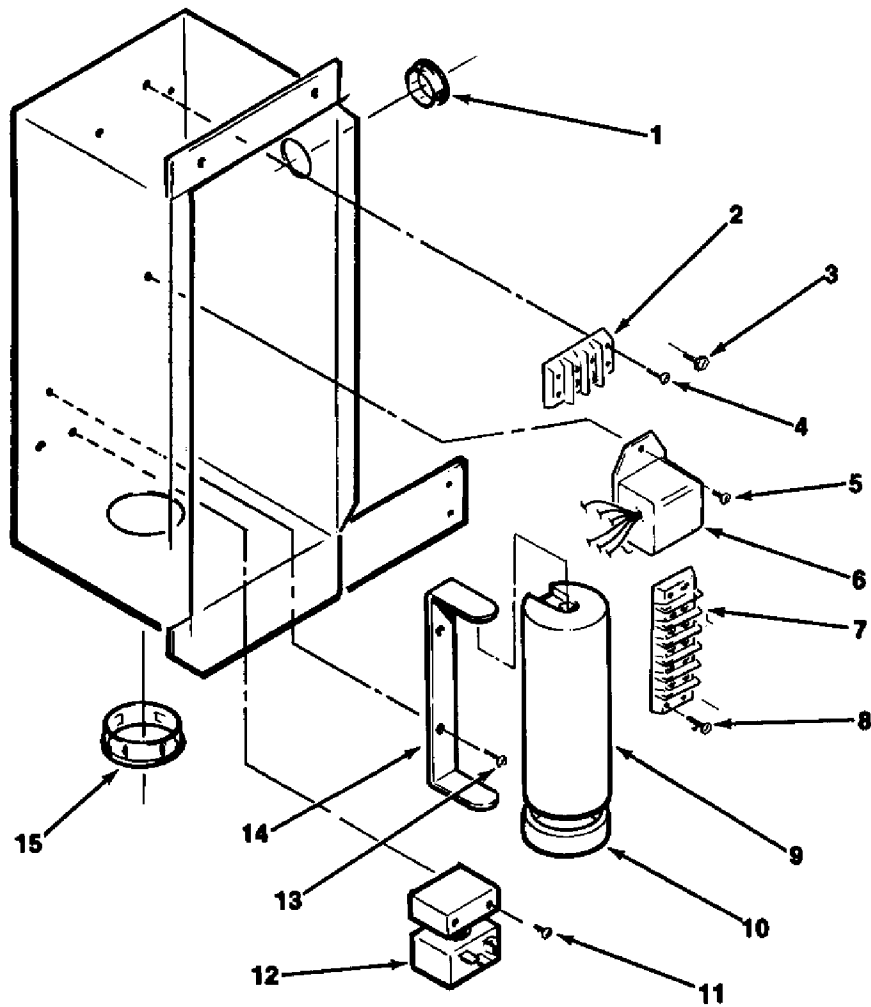
ITEM NUMBER	PART NUMBER	DESCRIPTION
1	03-1406-10	Hex Nut
2	03-1407-07	Plain Washer
3	18-2200-27	Mounting Sleeve
4	18-2200-28	Mounting Grommet
5	18-2200-25	Overload
6	18-2200-01	Compressor (Complete)

FD5
THE PARTS ILLUSTRATION AND PARTS LISTINGS



BIN TOP ITEM NUMBER	PART NUMBER	DESCRIPTION
1	03-1403-10	Screw
2	<i>No Number</i>	Insulation
3	12-1664-00	Switch
4	12-1018-02	Spout Switch
5	A21982-000	Pin
6	A21995-000	Actuator Arm
7	02-1757-00	Bin Top
8	A21987-000	Bridge Plate
9	03-0727-05	Thumb Screw
10	03-1403-27	Screw
11	A21983-000	Nut, Bin Top
12	12-1213-07	Snap Bushing
13	03-1417-03	Lockwasher
14	03-1403-10	Screw
15	A22025-001	Bin top, Complete

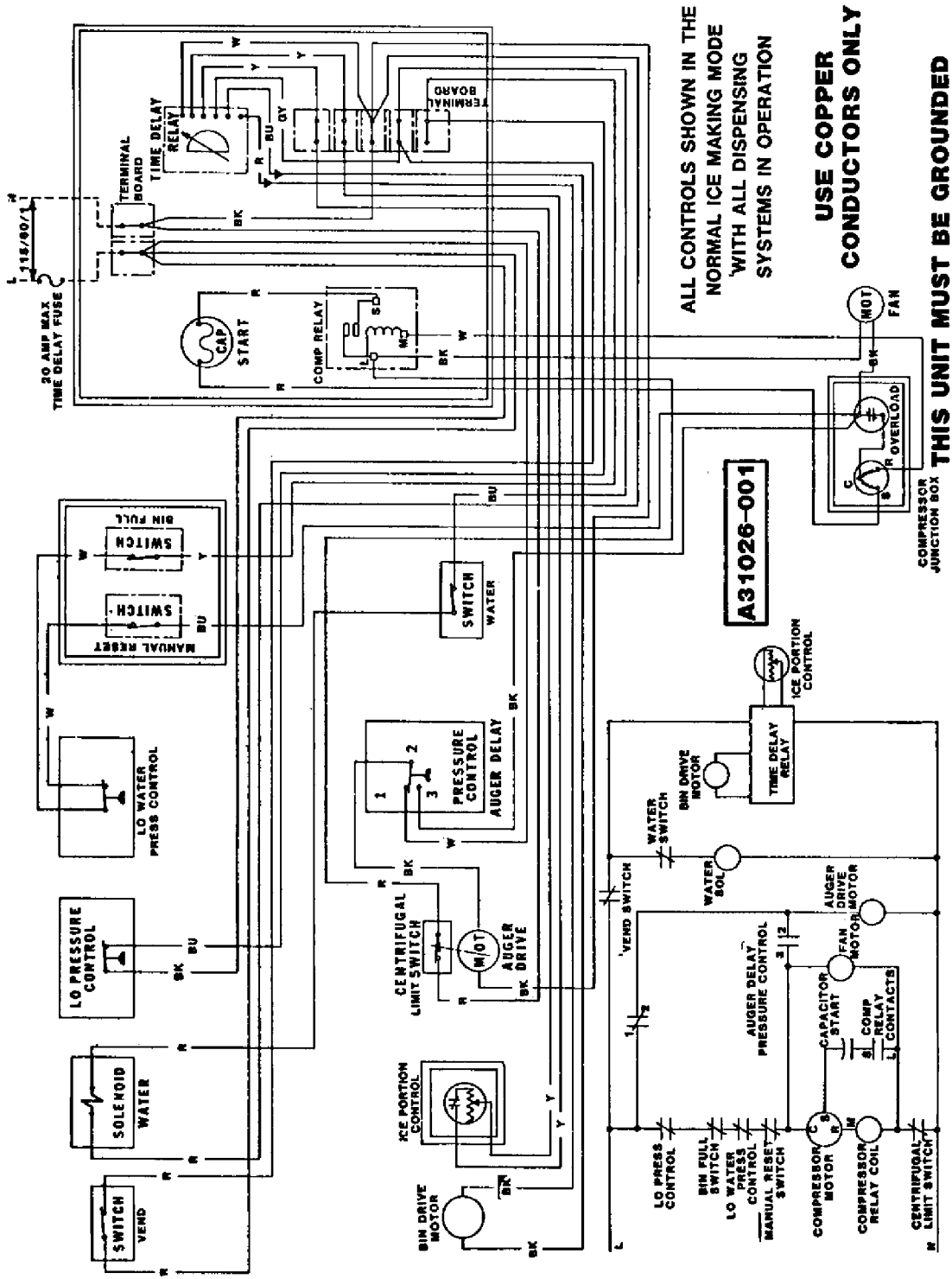
FD5
THE PARTS ILLUSTRATION AND PARTS LISTINGS



CONTROL BOX ASSEMBLY

ITEM NUMBER	PART NUMBER	DESCRIPTION
1	12-1213-10	Bushing
2	12-0813-04	Terminal Board
3	03-1578-01	Ground Screw
	03-1629-01	Cup Washer
4	03-1403-21	Screw, No. 8-32 x 3/4
5	03-1403-17	Screw, No. 8-32 x 3/8
6	A27857-001	Time Delay Relay
7	12-0813-07	Terminal Board
8	03-1403-21	Screw, No. 8-32 x 3/4
9	18-1901-33	Start Cap
10	18-3724-01	Capacitor Cap
11	03-1403-10	Screw, No. 6-32 x 1-1/4
12	18-2200-26	Relay
13	03-1418-30	Screw, No. 8-32 x 1/2
14	18-2200-39	Capacitor Bracket
15	12-1213-14	Bushing

FD5 WIRING DIAGRAM



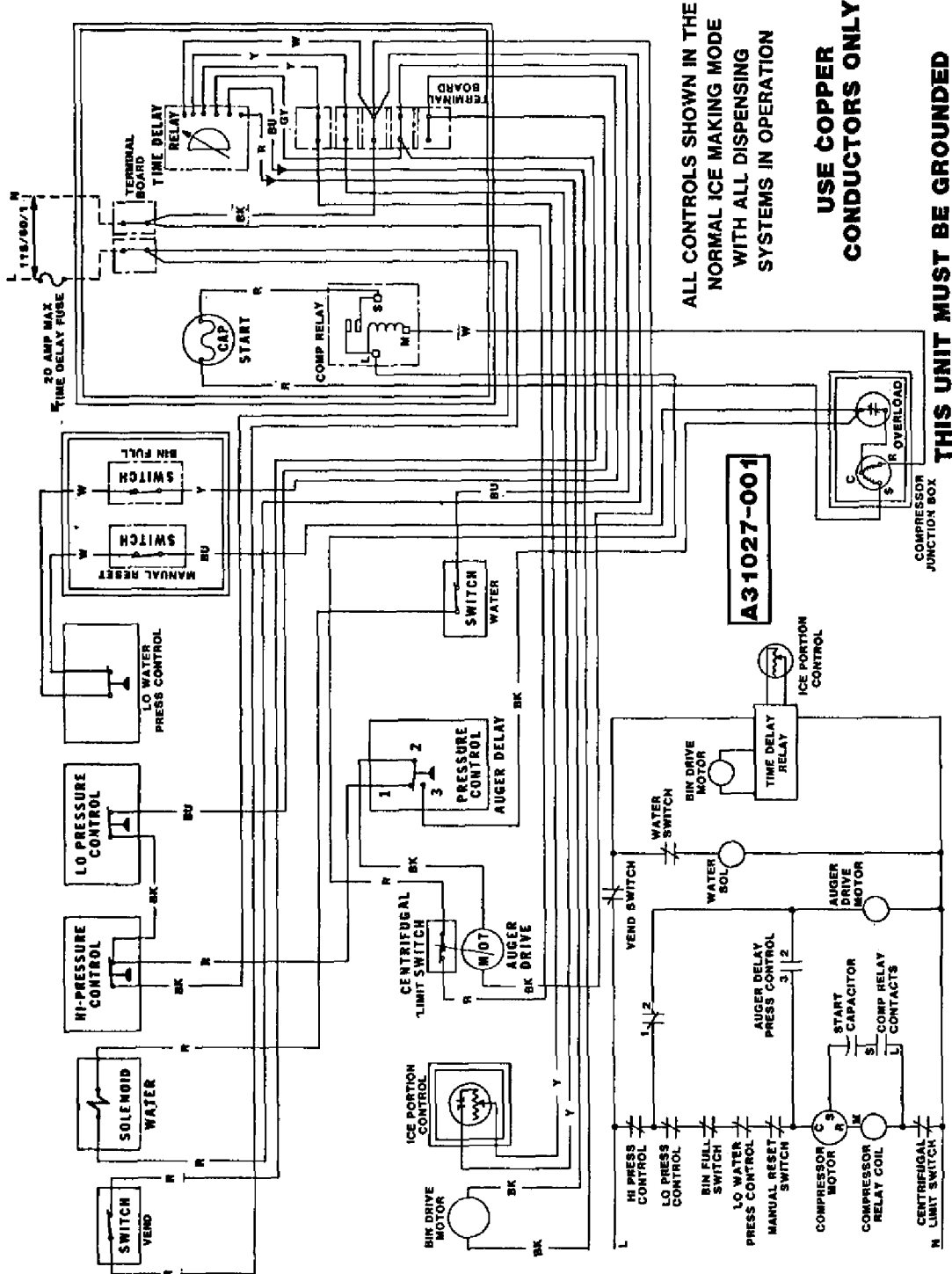
**ALL CONTROLS SHOWN IN THE
 NORMAL ICE MAKING MODE
 WITH ALL DISPENSING
 SYSTEMS IN OPERATION**

**USE COPPER
 CONDUCTORS ONLY**

THIS UNIT MUST BE GROUNDED

Wiring Diagram, FD5AE-1C (115/60/1) Air-Cooled

FD5 WIRING DIAGRAM



**ALL CONTROLS SHOWN IN THE
NORMAL ICE MAKING MODE
WITH ALL DISPENSING
SYSTEMS IN OPERATION**

**USE COPPER
CONDUCTORS ONLY**

THIS UNIT MUST BE GROUNDDED

Wiring Diagram, FD5WE-1C (115/60/1) Water-Cooled