

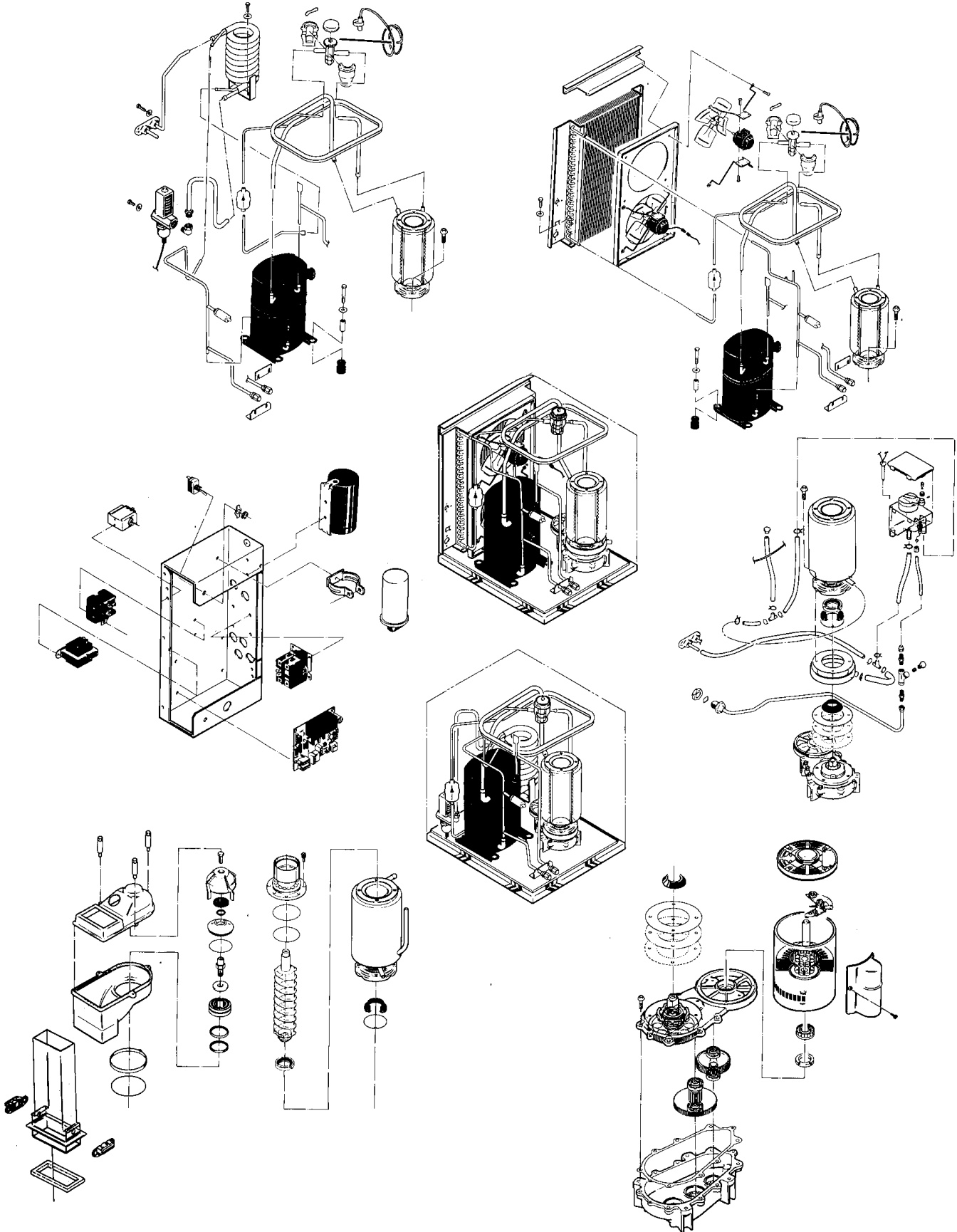
# FM1200 SERVICE PARTS

This parts list contains the service parts and wiring diagrams for this model. Check the model number in question to be sure that it is applicable to this parts list.

## TABLE OF CONTENTS

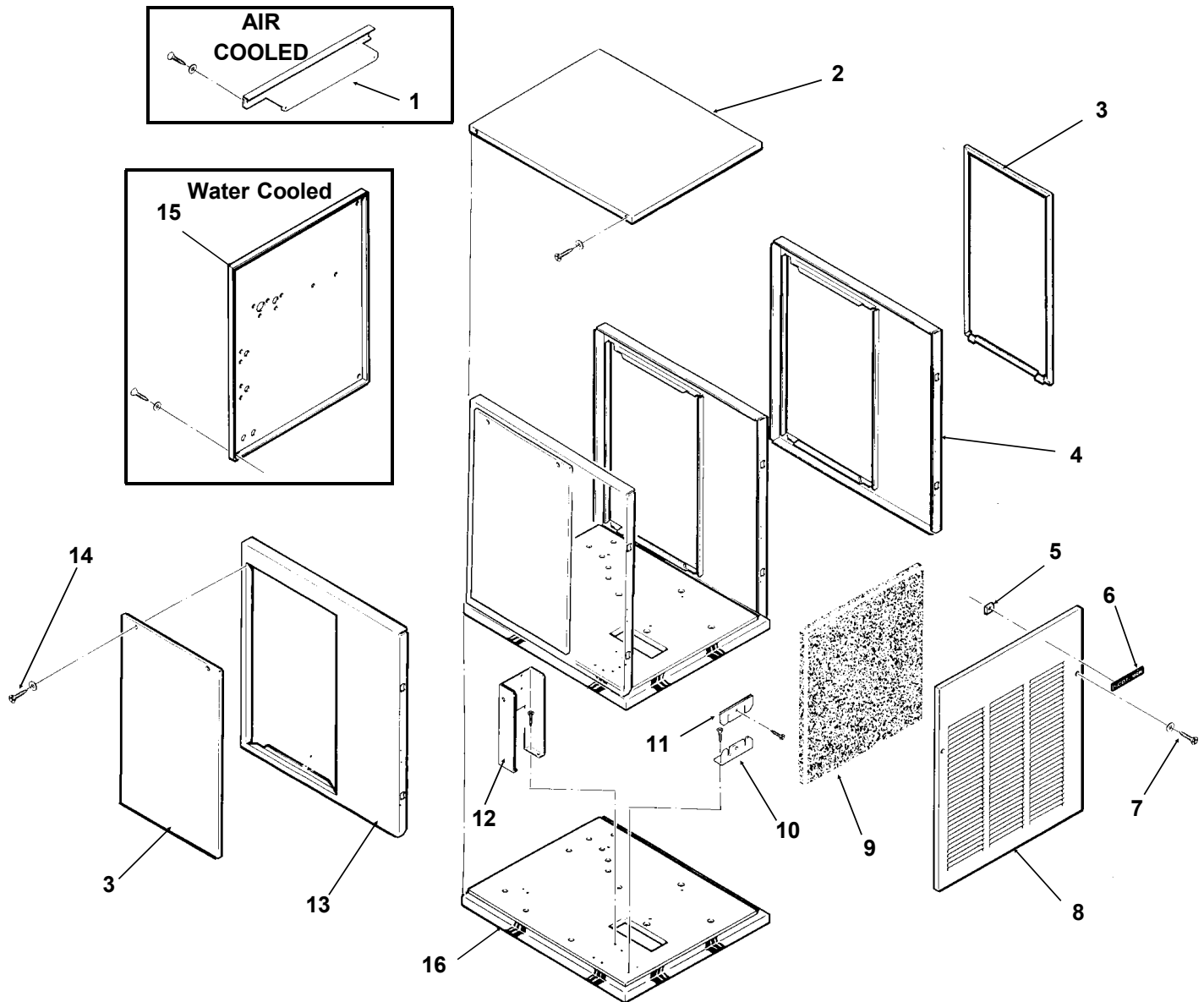
Cabinet .....	2
Air Cooled Refrigeration .....	3
Water Cooled Refrigeration.....	4
Water System .....	5
Gearmotor.....	6
Evaporator .....	7
Control Box.....	8
Wiring Diagrams .....	9

# FM1200 SERVICE PARTS



# FM1200 SERVICE PARTS

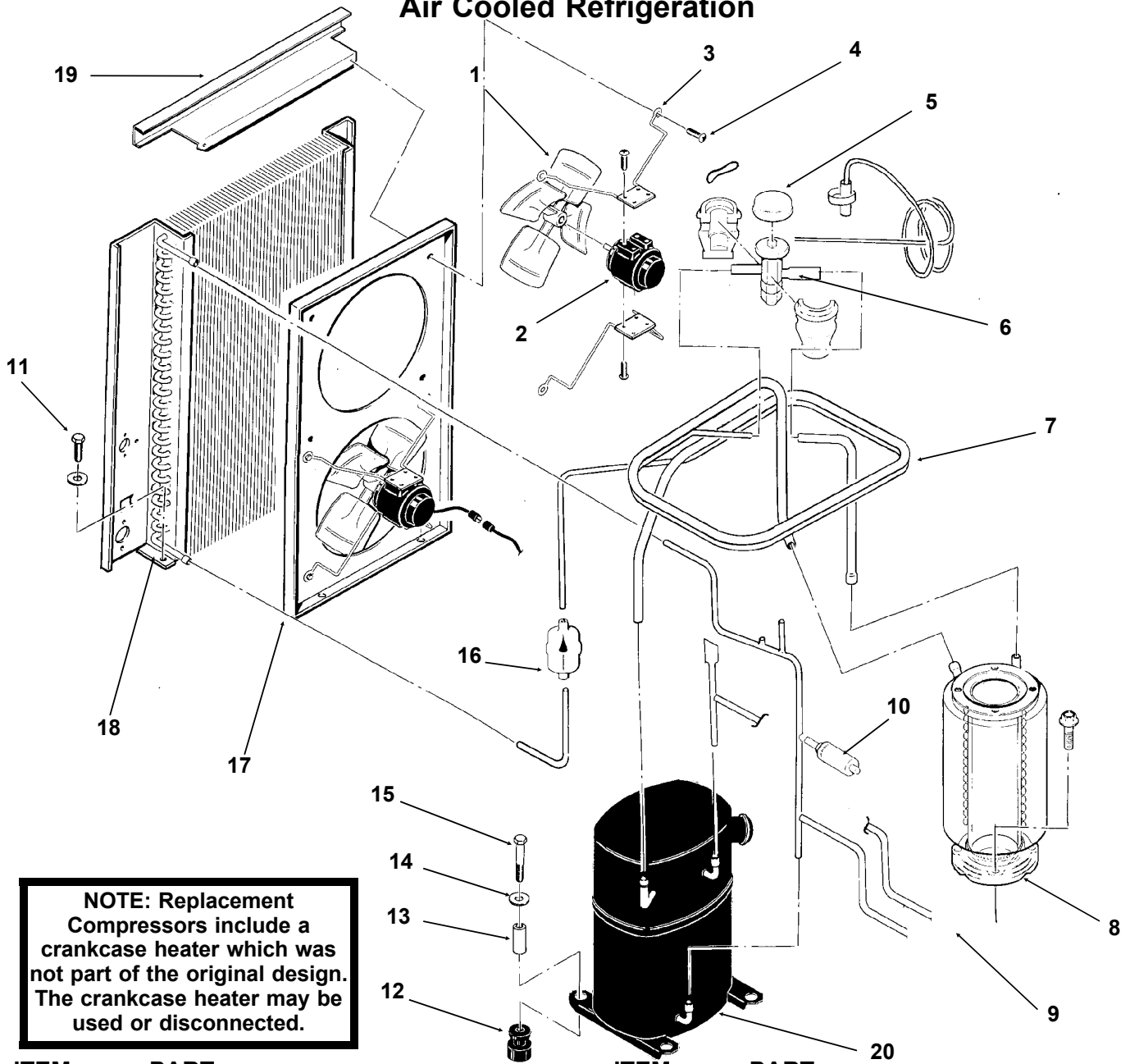
## Cabinet Assembly



ITEM NUMBER	PART NUMBER	DESCRIPTION	ITEM NUMBER	PART NUMBER	DESCRIPTION
1	A33233-001	Condenser Support	9	02-2976-01	Filter Assembly
2	A33256-001	Top Panel, Painted	10	A31462-001	Tube Bracket
3	A33256-002	Top Panel, S.S.	11	A31461-001	Tube Bracket
3	A34038-001	Service Panel, Painted	12	A34039-001	Control Box Support
4	A34038-002	Service Panel, S.S.	13	A32435-001	Left Side Panel, Painted
4	A33292-001	Right Side Panel, Painted	14	A32435-002	Left Side Panel, S.S.
5	A33292-002	Right Side Panel, S.S.	15	03-1404-12	Screw
5	03-0271-00	Speed Clip	16.	A33252-001	Rear Panel, Water Cooled Painted Only
6	15-0711-01	Emblem			
7	03-1419-08	Screw			
8	A33255-001	Front Panel, Painted			
	A33255-002	Front Panel, S.S.			

# FM1200 SERVICE PARTS

## Air Cooled Refrigeration

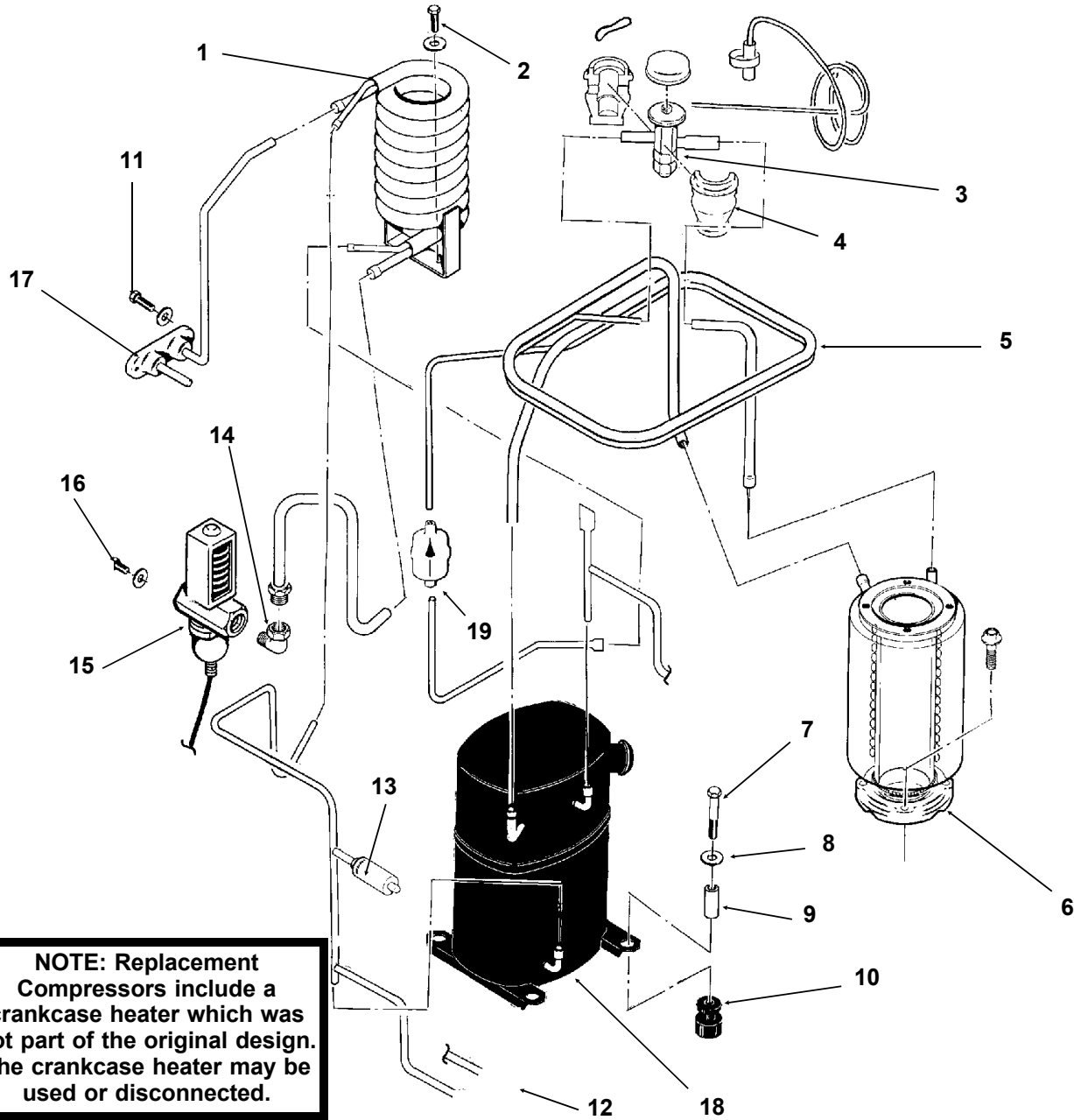


**NOTE: Replacement Compressors include a crankcase heater which was not part of the original design. The crankcase heater may be used or disconnected.**

ITEM NUMBER	PART NUMBER	DESCRIPTION	ITEM NUMBER	PART NUMBER	DESCRIPTION
1	18-3815-01	Fan Blade	12	18-6800-01	Grommet
2	12-1576-02	Fan Motor (with screws)	13	18-2300-26	Sleeve
3	02-2378-01	Fan Bracket	14	03-1407-07	Washer
4	03-1531-01	Screw	15	03-1405-20	Cap Screw
5	A32961-020	Insulation Kit (3 piece)	16	02-2426-02	Dryer
6	16-0780-21	Thermo Expansion Valve	17	A33231-001	Fan Shroud
7	A34050-001	Suction Line	18	18-7202-01	Condenser
8	A32890-020	Evaporator	19	A33233-001	Condenser Mount
9	16-0560-00	Valve Core	20	18-8879-21	Compressor (1 phase)
	16-0563-00	Valve Cap		18-8879-22	Compressor (3 phase)
10	11-0446-23	Hi Pressure Cut Out	(both are 208-230 volt and have internal overloads & crankcase heaters)		
11	03-1645-01	Screw			

# FM1200 SERVICE PARTS

## Water Cooled Refrigeration

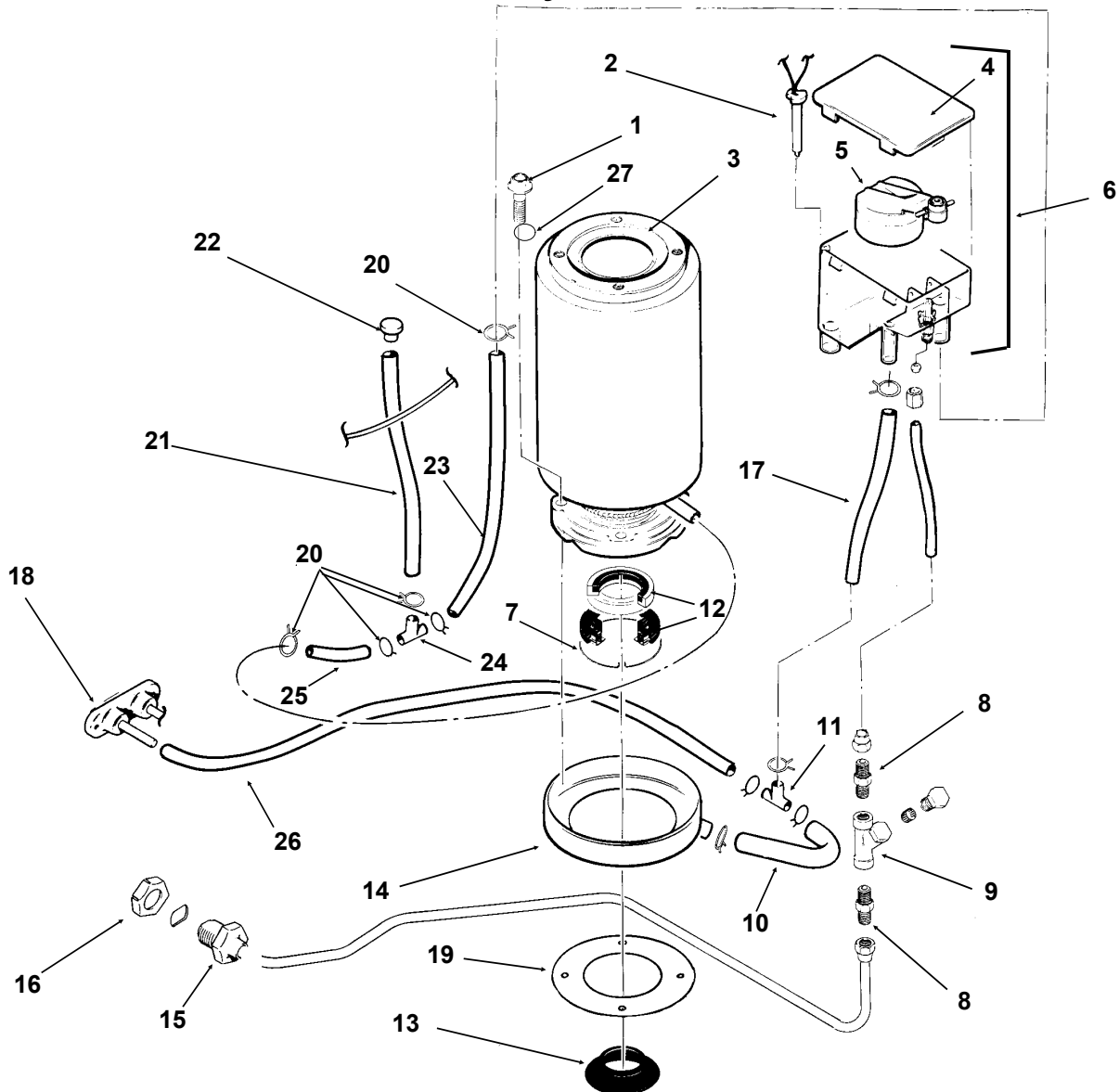


**NOTE: Replacement Compressors include a crankcase heater which was not part of the original design. The crankcase heater may be used or disconnected.**

ITEM NUMBER	PART NUMBER	DESCRIPTION	ITEM NUMBER	PART NUMBER	DESCRIPTION
1	18-6900-25	Condenser	12	16-0560-00	Valve Core
2	03-1645-01	Screw		16-0563-00	Valve Cap
3	16-0780-21	Thermo Expansion Valve	13	11-0446-23	Hi Pressure Cut Out
4	A32961-020	Insulation Kit (3 piece)	14	16-0401-02	Elbow
5	A34050-001	Suction Line	15	11-0424-01	Water Reg. Valve
6	A32890-020	Evaporator	16	03-1403-14	Screw
7	03-1405-20	Cap Screw	17	A34044-001	Drain Assembly
8	03-1407-07	Washer	18	18-8879-21	Compressor 1 phase
9	18-2300-26	Sleeve		18-8879-22	Compressor 3 phase
10	18-6800-01	Grommet	(both are 208-230 volt & have internal overloads & crankcase heaters)		
11	03-1645-01	Screw	19	02-2426-02	Dryer

# FM1200 SERVICE PARTS

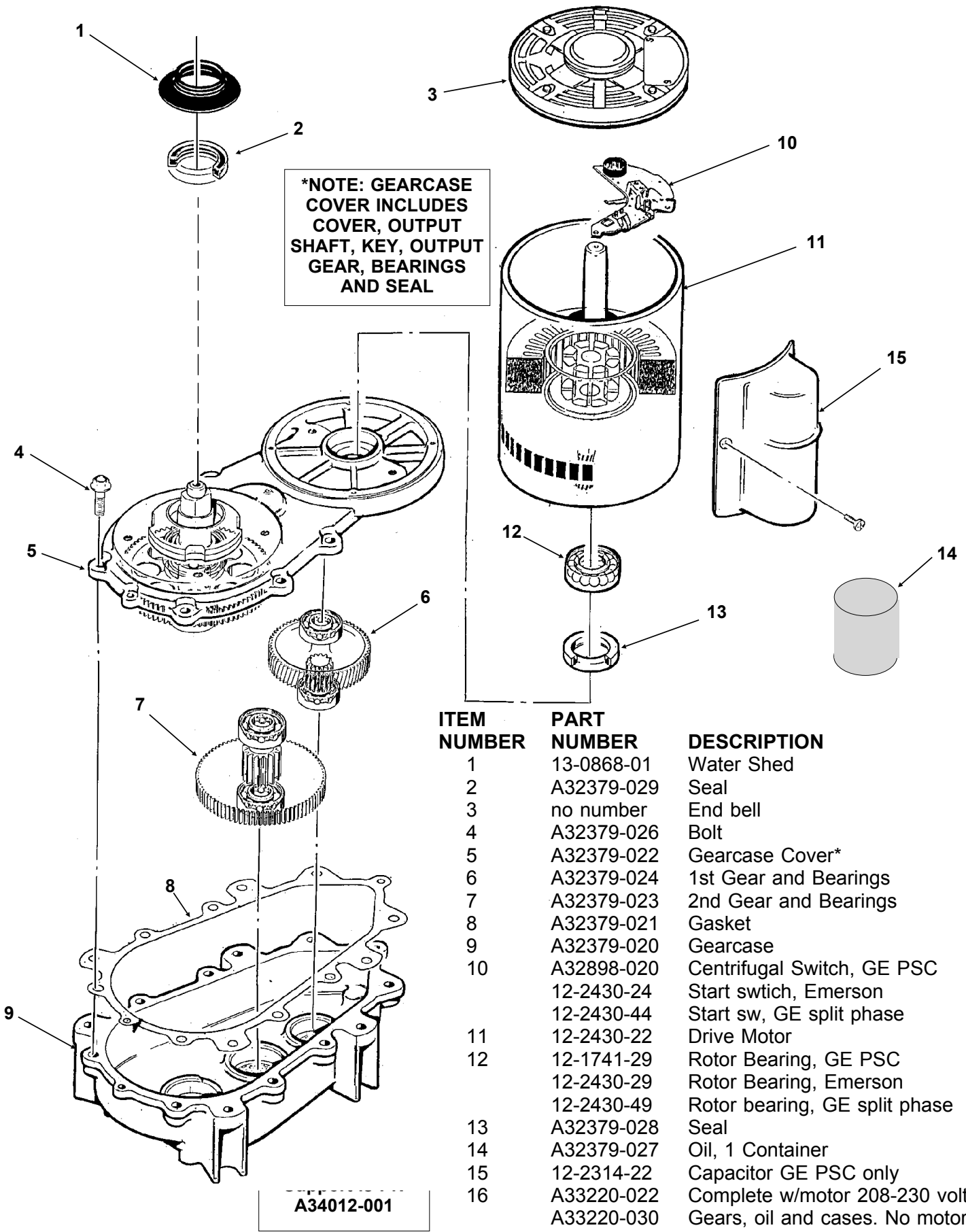
## Water System



ITEM NUMBER	PART NUMBER	DESCRIPTION	ITEM NUMBER	PART NUMBER	DESCRIPTION
1	03-1420-03	Cap Screw	14	A32050-001	Drip Pan
2	A33101-022	Water Level Sensor	15	A27318-001	Water Inlet Fitting
3	A32890-020	Evaporator	16	03-1394-01	Pal Nut
4	02-2936-01	Res. Cover	17	13-0079-03	Res. Overflow, 8" req.
5	A32907-001	Float Assembly with pin housing seal, rubber seat, insert & float	18	A34045-001	Drain Casting, air cooled
	02-3190-01	Rubber seat	19	13-0704-00	Gasket
6	A32929-020	Reservoir Assy Complete	20	02-2814-08	Clamps
7	A32777-001	Retaining Ring for seal	21	13-0674-06	Evap. Drain, 14" req.
8	16-0791-01	Half Union	22	13-0840-01	Plug
9	16-0162-00	Strainer	23	13-0674-06	Evap. Inlet Tube, 5" req.
10	13-0079-03	Tube, 3.2" req.	24	16-0670-01	Tee
11	16-0670-02	Tee	25	A33203-001	Tube, Preformed
12	02-0929-02	Water Seal	26	13-0079-03	Drain Tube, 24" req.
13	13-0868-01	Water Shed	27.	03-1417-13	Lockwasher

# FM1200 SERVICE PARTS

## Gearmotor



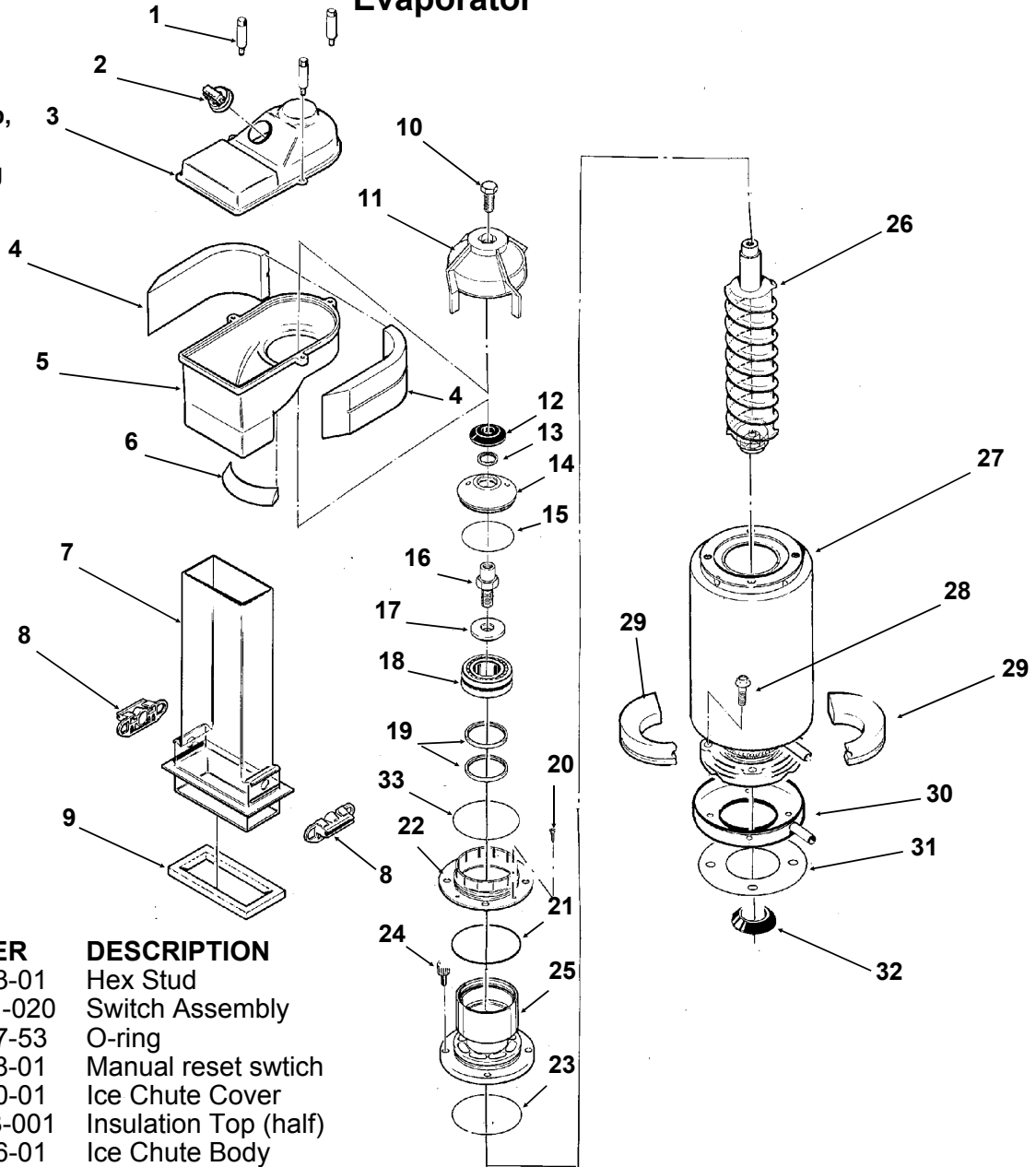
**\*NOTE: GEARCASE COVER INCLUDES COVER, OUTPUT SHAFT, KEY, OUTPUT GEAR, BEARINGS AND SEAL**

**A34012-001**

ITEM NUMBER	PART NUMBER	DESCRIPTION
1	13-0868-01	Water Shed
2	A32379-029	Seal
3	no number	End bell
4	A32379-026	Bolt
5	A32379-022	Gearcase Cover*
6	A32379-024	1st Gear and Bearings
7	A32379-023	2nd Gear and Bearings
8	A32379-021	Gasket
9	A32379-020	Gearcase
10	A32898-020	Centrifugal Switch, GE PSC
	12-2430-24	Start switch, Emerson
	12-2430-44	Start sw, GE split phase
11	12-2430-22	Drive Motor
12	12-1741-29	Rotor Bearing, GE PSC
	12-2430-29	Rotor Bearing, Emerson
	12-2430-49	Rotor bearing, GE split phase
13	A32379-028	Seal
14	A32379-027	Oil, 1 Container
15	12-2314-22	Capacitor GE PSC only
16	A33220-022	Complete w/motor 208-230 volt
	A33220-030	Gears, oil and cases. No motor.

# FM1200 Service Parts Evaporator

Note: Bail clamp,  
pn A34969-001  
used beginning  
Jan. 91

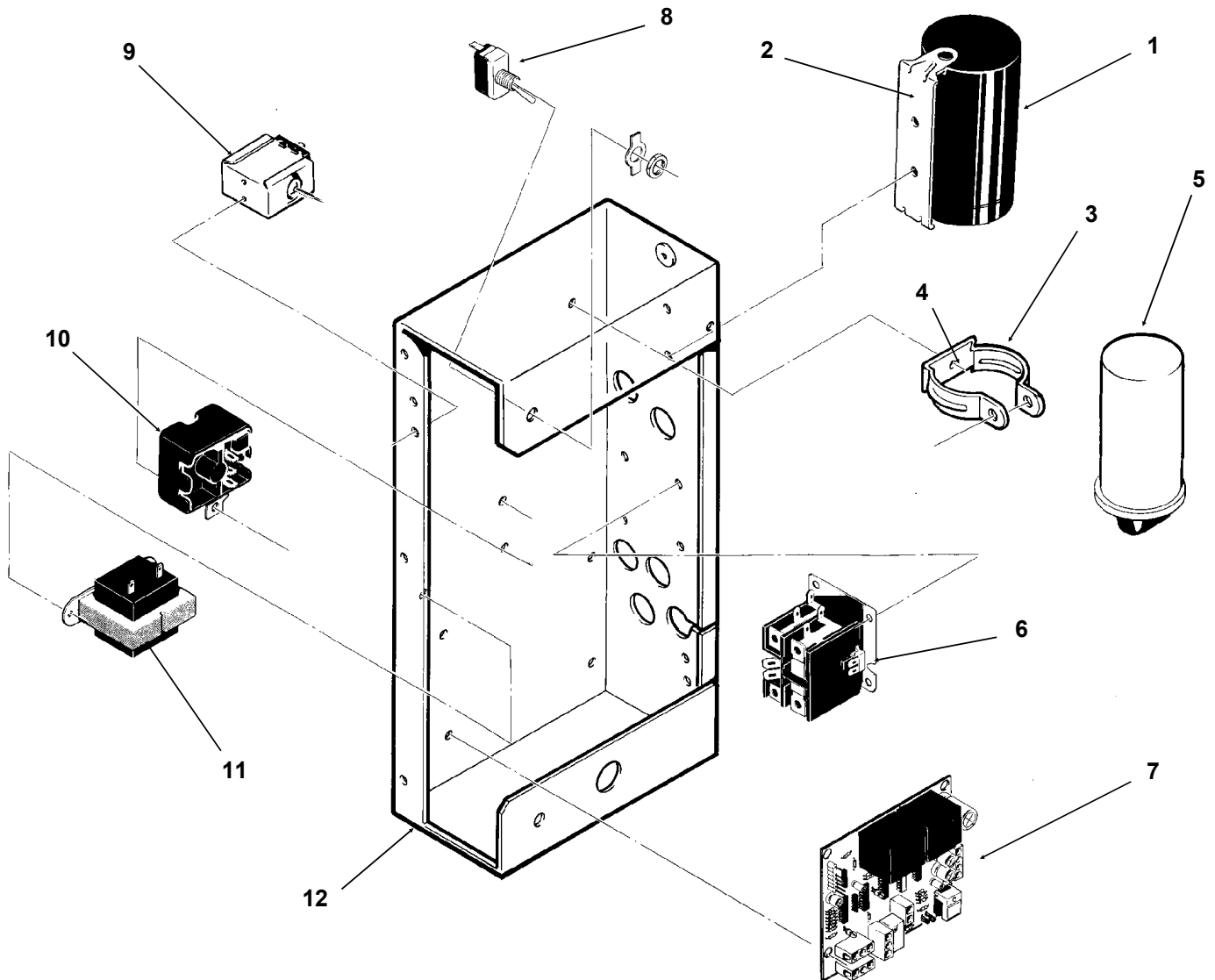


ITEM NUMBER	PART NUMBER	DESCRIPTION
1.	02-2933-01	Hex Stud
2.	A32891-020	Switch Assembly
	13-0617-53	O-ring
	12-2398-01	Manual reset switch
3.	02-2930-01	Ice Chute Cover
4.	A32963-001	Insulation Top (half)
5.	02-2926-01	Ice Chute Body
6.	A33102-001	Insulation Collar Inside
	A35419-020	Strap kit
7.	02-2929-01	Ice Chute Lower
8.	A37708-021	Ice level sensors (set of 2)
9.	A32930-001	Chute Gasket
10.	03-1405-52	Hex Cap Screw
11.	02-3001-01	Ice Sweep
12.	13-0871-01	Water Shed
13.	02-2978-01	Lip Seal
14.	02-3128-20	Breaker Cover
15.	13-0617-54	O-Ring
16.	08-0660-01	Auger Stud & washer
17.	part of 16	Thrust Washer
18.	A34559-020	Bearing
19.	02-2977-01	Lip Seal
20.	03-1405-27	Screw
21.	13-0617-52	O-Ring
22.	02-2916-01	Slotted Collar
23.	13-0617-45	O-Ring
24.	03-1544-08	Soc. Head Screw
25.	A34505-020	Breaker (Divider) (includes 13,14,15,18, 19, 23)
26.	A38071-022	Auger
27.	A32890-020	Evaporator
28.	03-1405-41	Cap Screw
29.	A32962-001	Insulation Bot. (half)
	A32962-002	Insulation (half)
30.	A32050-001	Drip Pan
31.	13-0704-00	Drip Pan Gasket
32.	13-0868-01	Water Shed
33.	13-0617-49	O-ring



# FM1200 SERVICE PARTS

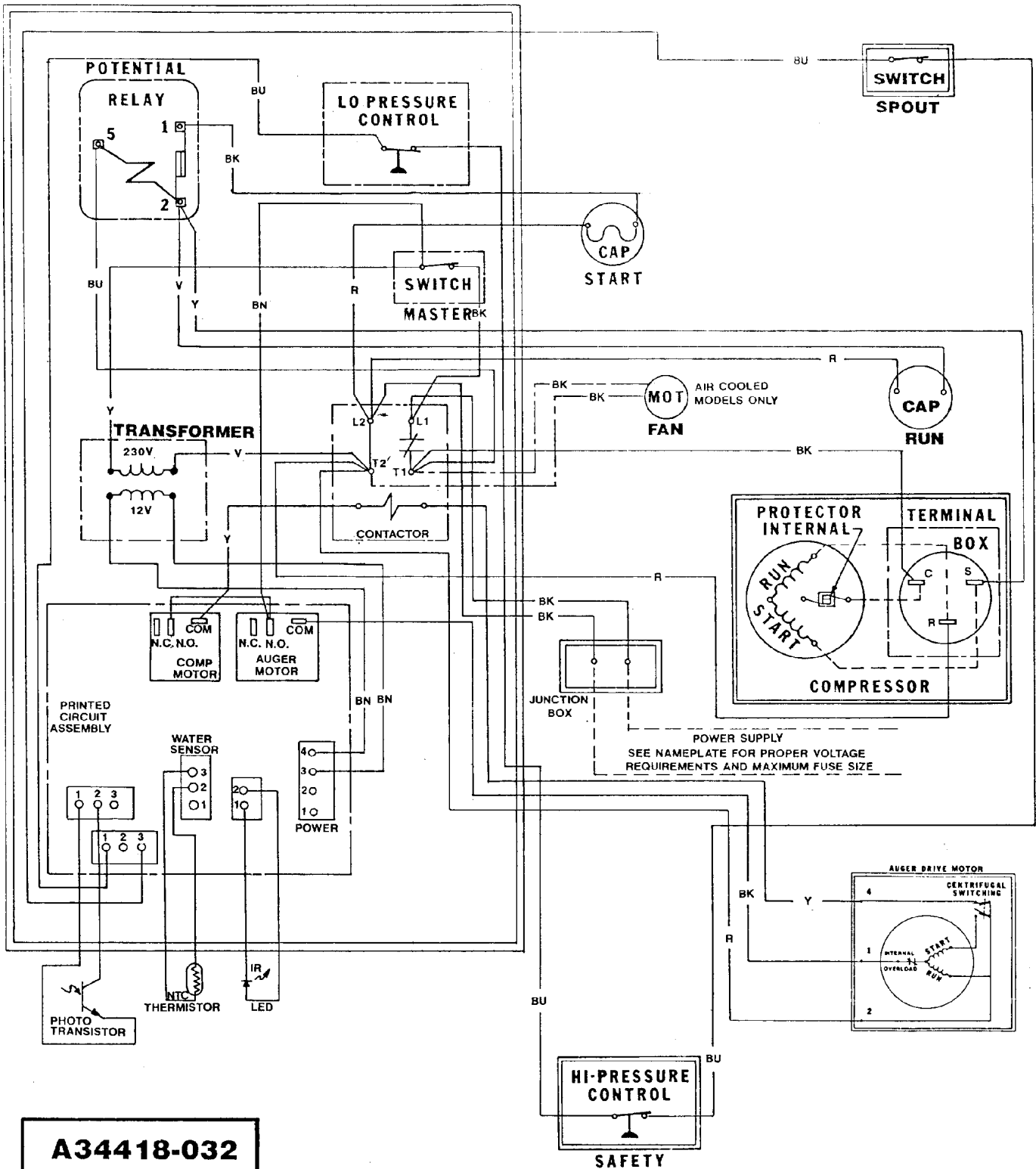
## Control Box



ITEM NUMBER	PART NUMBER	DESCRIPTION	ITEM NUMBER	PART NUMBER	DESCRIPTION
1	18-1901-48	Start Capacitor	7	A32976-020	Circuit Board
	18-4300-50	Start Capacitor Cap.	8.	12-0426-01	Master Switch
2.	18-2200-39	Start Capacitor Bracket	9.	11-0447-20	Low Pressure Control
	03-1638-04	Screw	10	18-1903-46	Potential Relay
	03-1417-15	Lockwasher	11.	12-2285-22	Transformer
3.	A32872-001	Run Cap Bracket	12	no number	Control Box
	03-1652-02	Bolt	NOT ILLUSTRATED		
	03-0255-04	Wing Nut	13.	12-2337-02	3 Pin Plug Assy
4.	03-1638-03	Screw			(Safety Circuit to Circuit Board)
5.	18-1902-45	Run Capacitor	14.	12-2340-01	4 Pin Plug Assy
6.	12-2469-02	Single Phase Contactor			(Transformer to Circuit Board)
	12-0739-02	Three Phase Contactor	15.	A34055-001	Control Box Cover

# FM1200 SERVICE PARTS

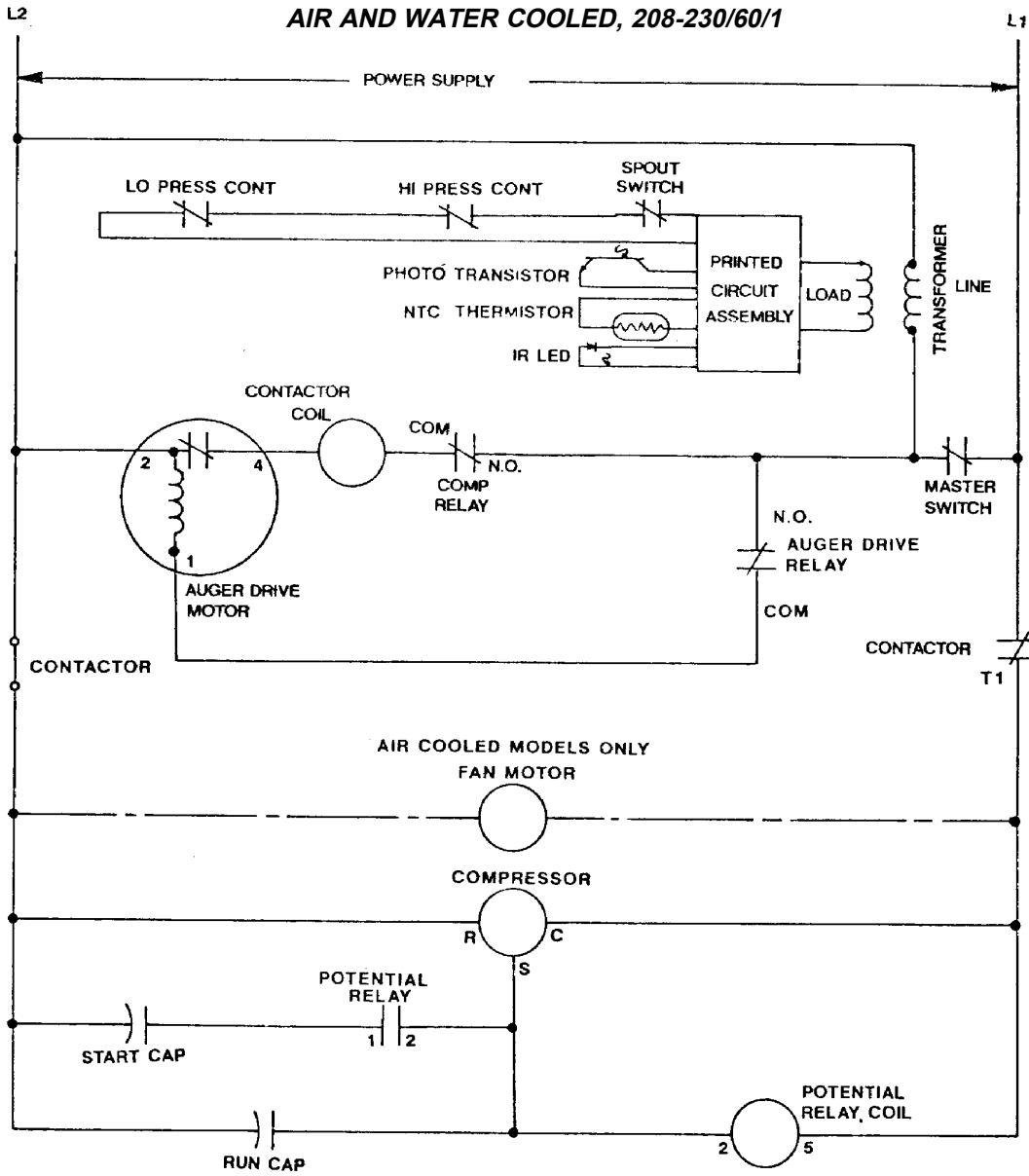
AIR AND WATER COOLED, 208-230/60/1



**A34418-032**

# FM1200 SERVICE PARTS

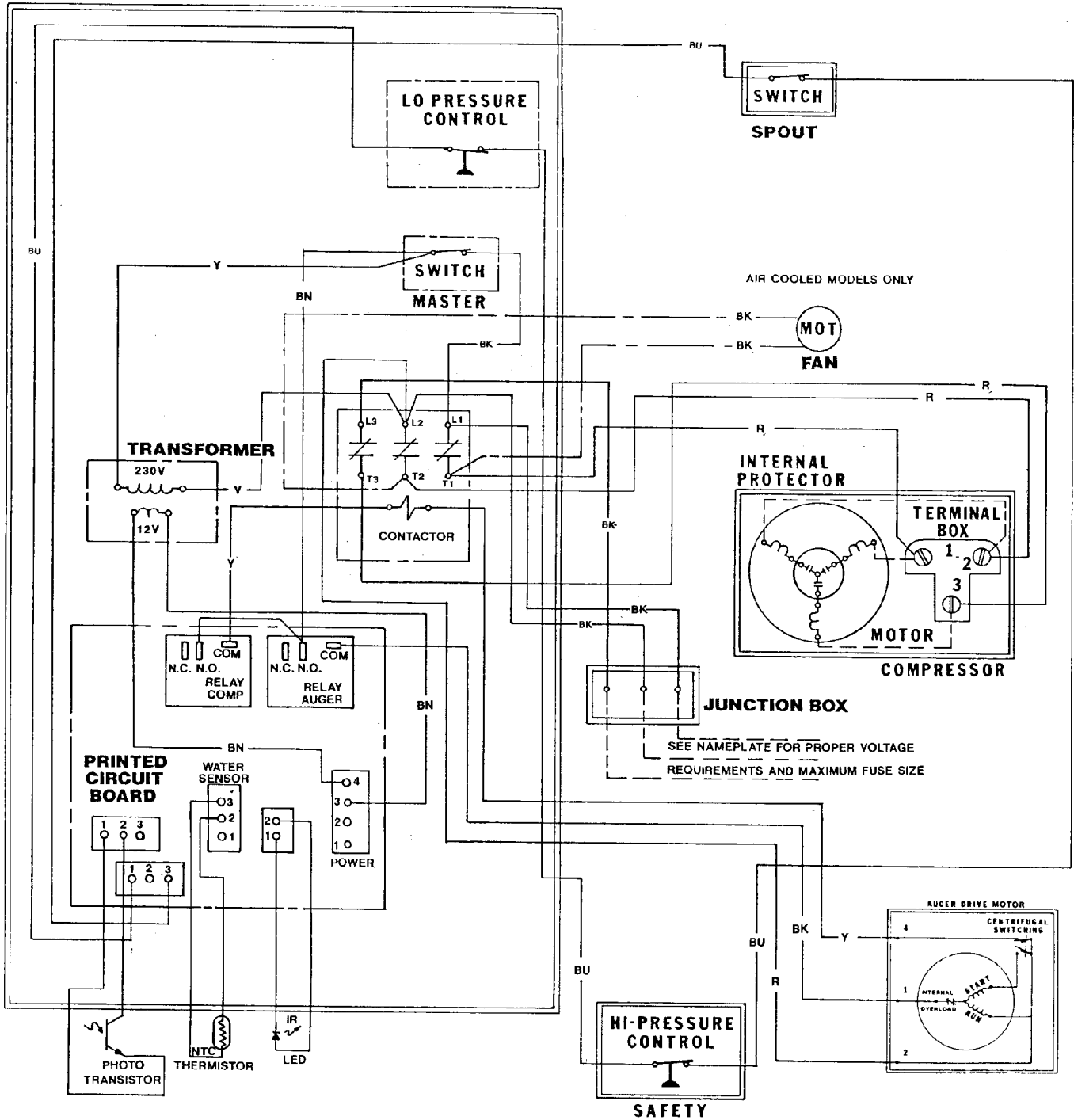
AIR AND WATER COOLED, 208-230/60/1



**USE COPPER CONDUCTORS ONLY  
ALL CONROLS SHOWN IN NORMAL ICEMAKING MODE  
THIS UNIT MUST BE GROUNDED**

# FM1200 SERVICE PARTS

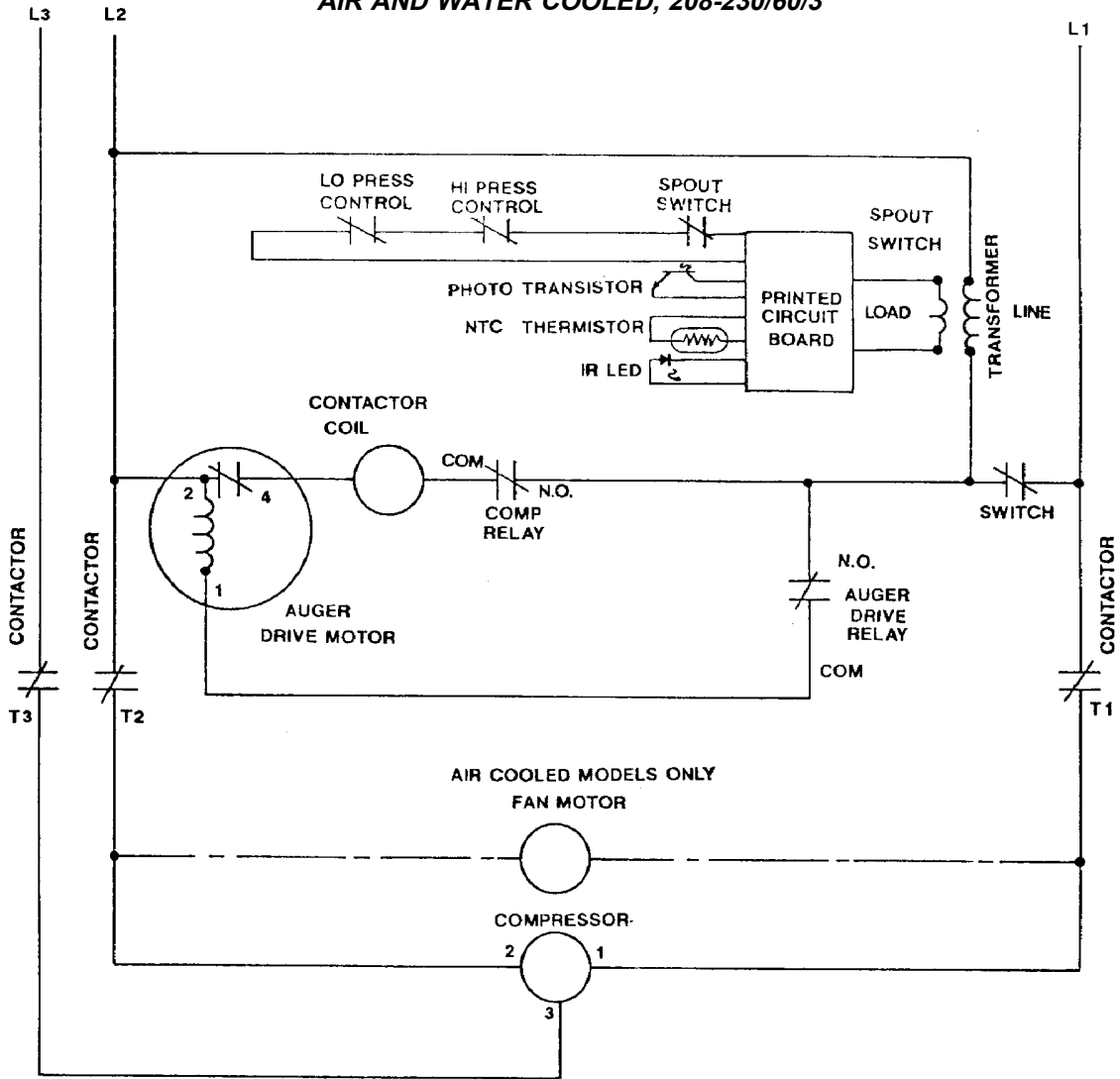
AIR AND WATER COOLED, 208-230/60/3



**A34418-003**

# FM1200 SERVICE PARTS

AIR AND WATER COOLED, 208-230/60/3



**USE COPPER CONDUCTORS ONLY  
ALL CONTROLS SHOWN IN NORMAL ICEMAKING MODE  
THIS UNIT MUST BE GROUNDED**