

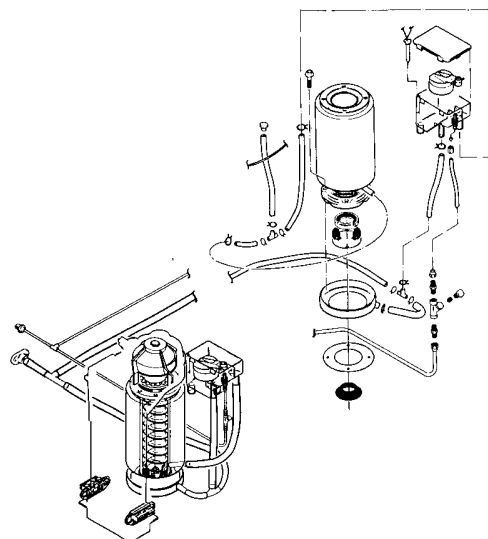
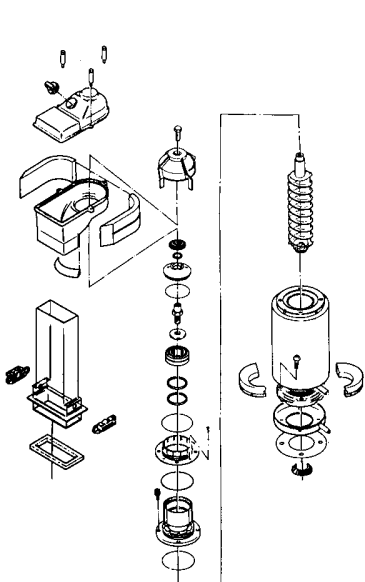
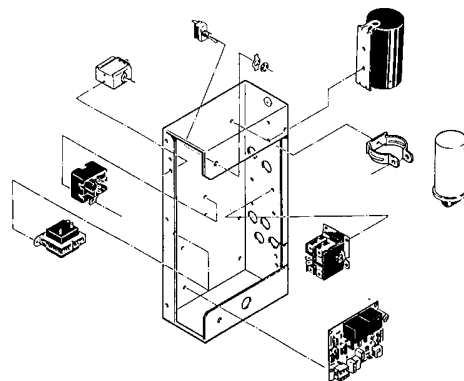
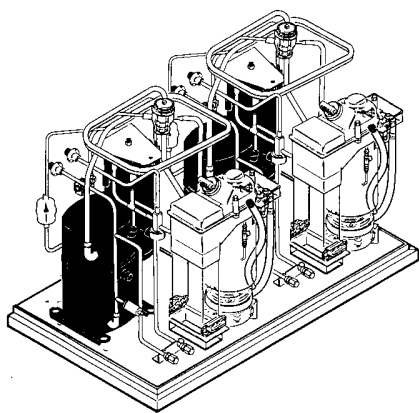
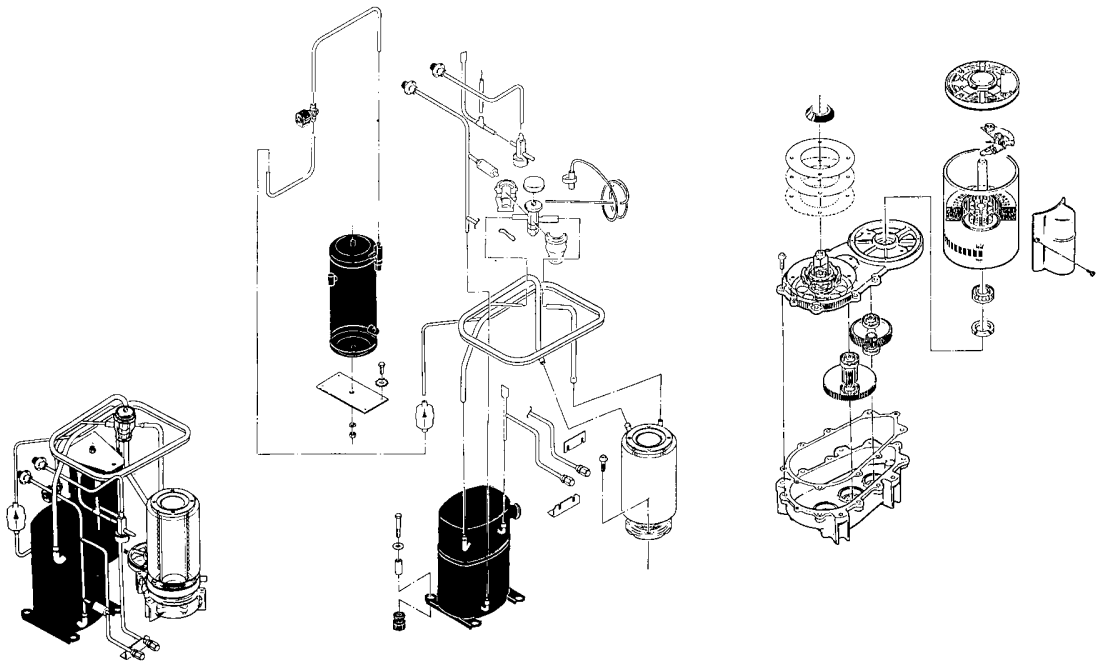
FM2402R SERVICE PARTS

This parts list contains the service parts and wiring diagrams for this model. Check the model number in question to be sure that it is applicable to this parts list.

TABLE OF CONTENTS

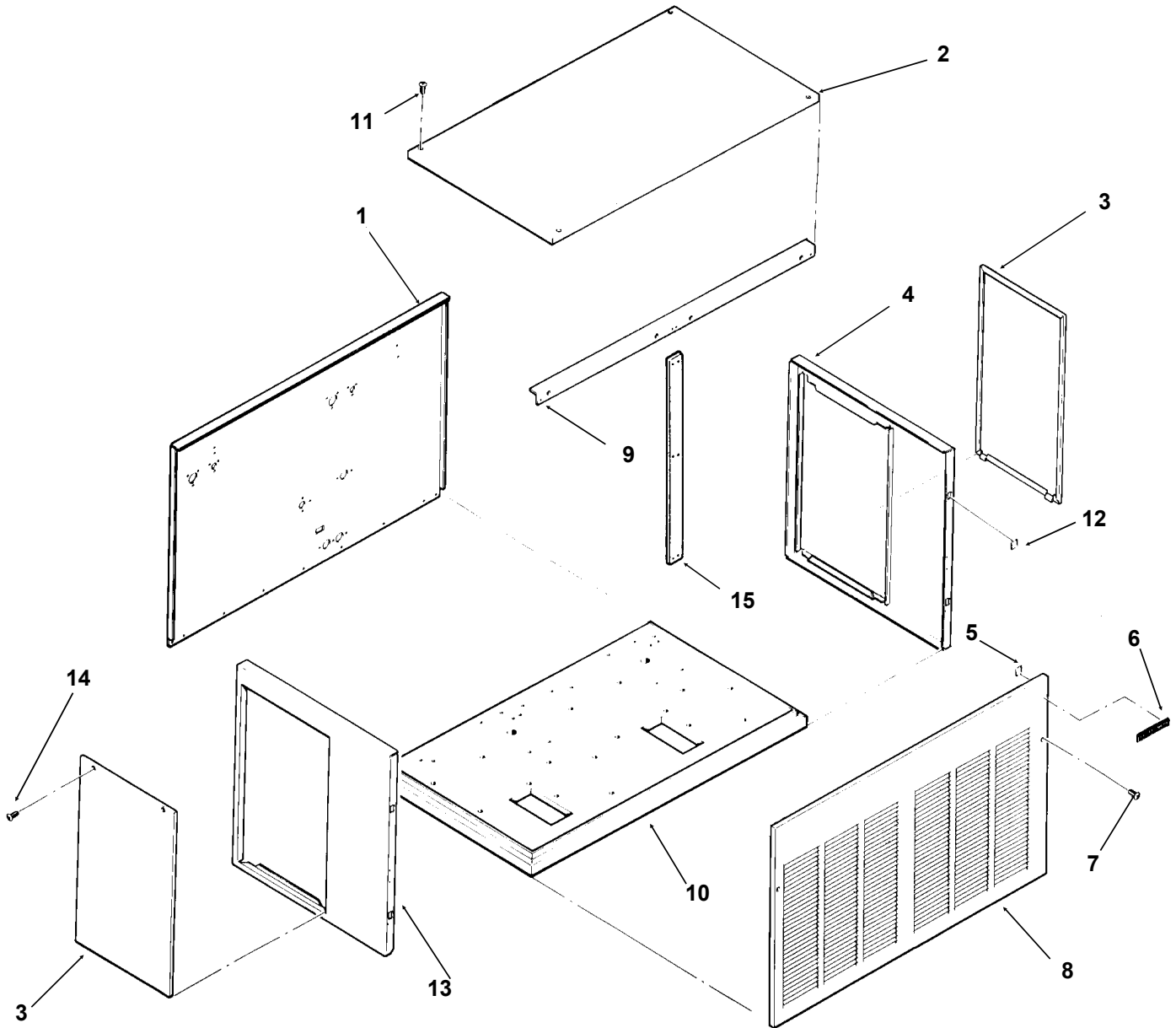
Cabinet	2
Refrigeration	3
Water	4
Gearmotor.....	5
Evaporator	6
Control Box.....	7
Remote Condenser	8
Wiring Diagrams	9

FM2402R SERVICE PARTS



FM2402R SERVICE PARTS

Cabinet Assembly

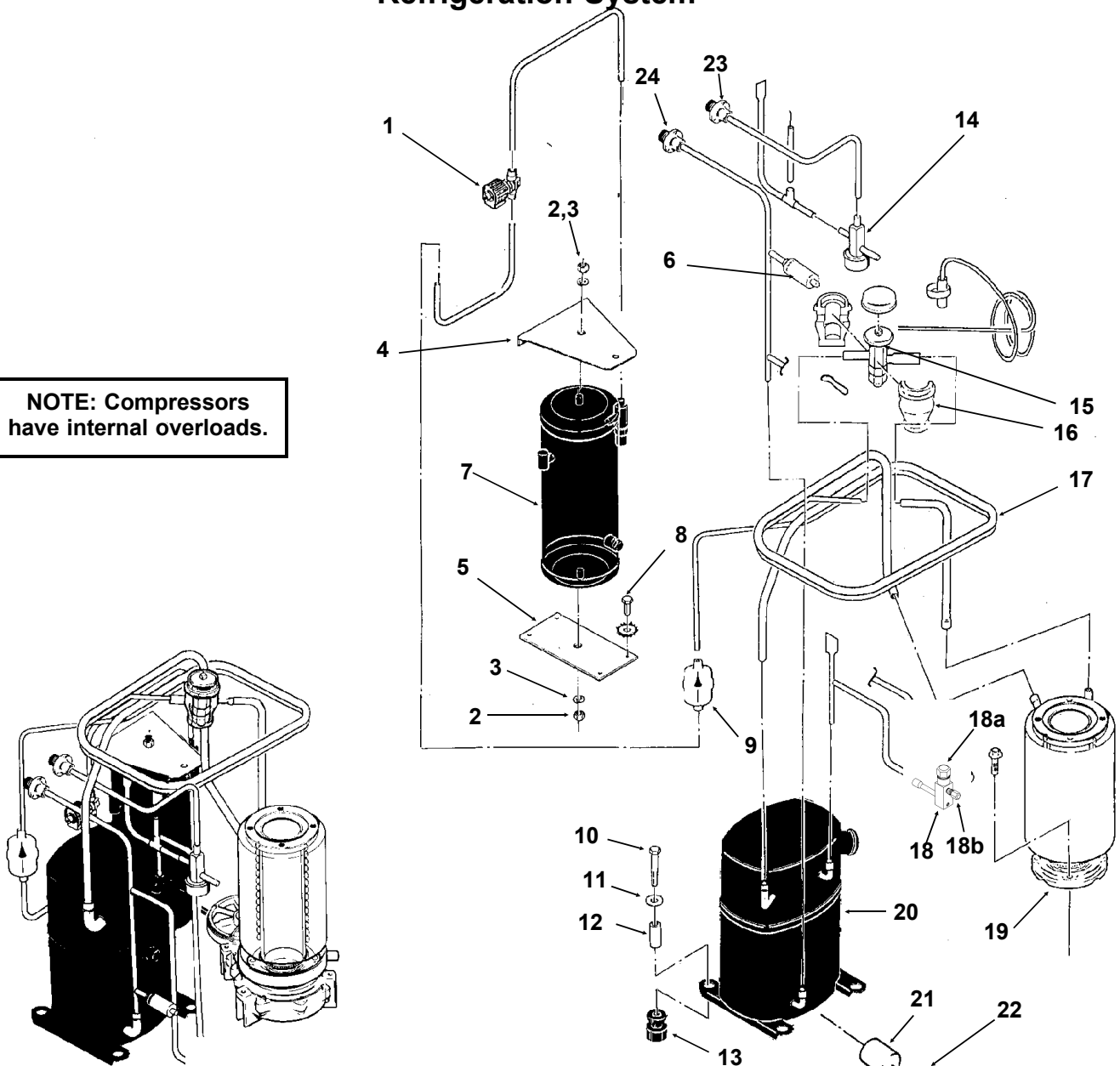


ITEM NUMBER	PART NUMBER	DESCRIPTION	ITEM NUMBER	PART NUMBER	DESCRIPTION
1	A34283-001	Back Panel, Painted	9	A34287-001	Support
2	A32461-001	Top Panel, Painted	10	A34282-001	Base
	A32461-002	Top Panel, S.S.	11	03-1531-01	Screw
3	A34038-001	Service Panel, Painted	12	02-0836-00	Catch
	A34038-002	Service Panel, S.S.	13	A32435-001	Left Side Panel, Painted
4	A33292-001	Right Side Panel, Painted		A32435-002	Left Side Panel, S.S.
	A33292-002	Right Side Panel, S.S.	14	03-1404-12	Screw
5	03-0271-00	Speed Clip	15.	A34286-001	Center Support
6	15-0711-01	Emblem			
7	03-1419-08	Screw			
8	A34294-001	Front Panel, Painted			
	A34294-002	Front Panel, S.S.			

FM2402R SERVICE PARTS

Refrigeration System

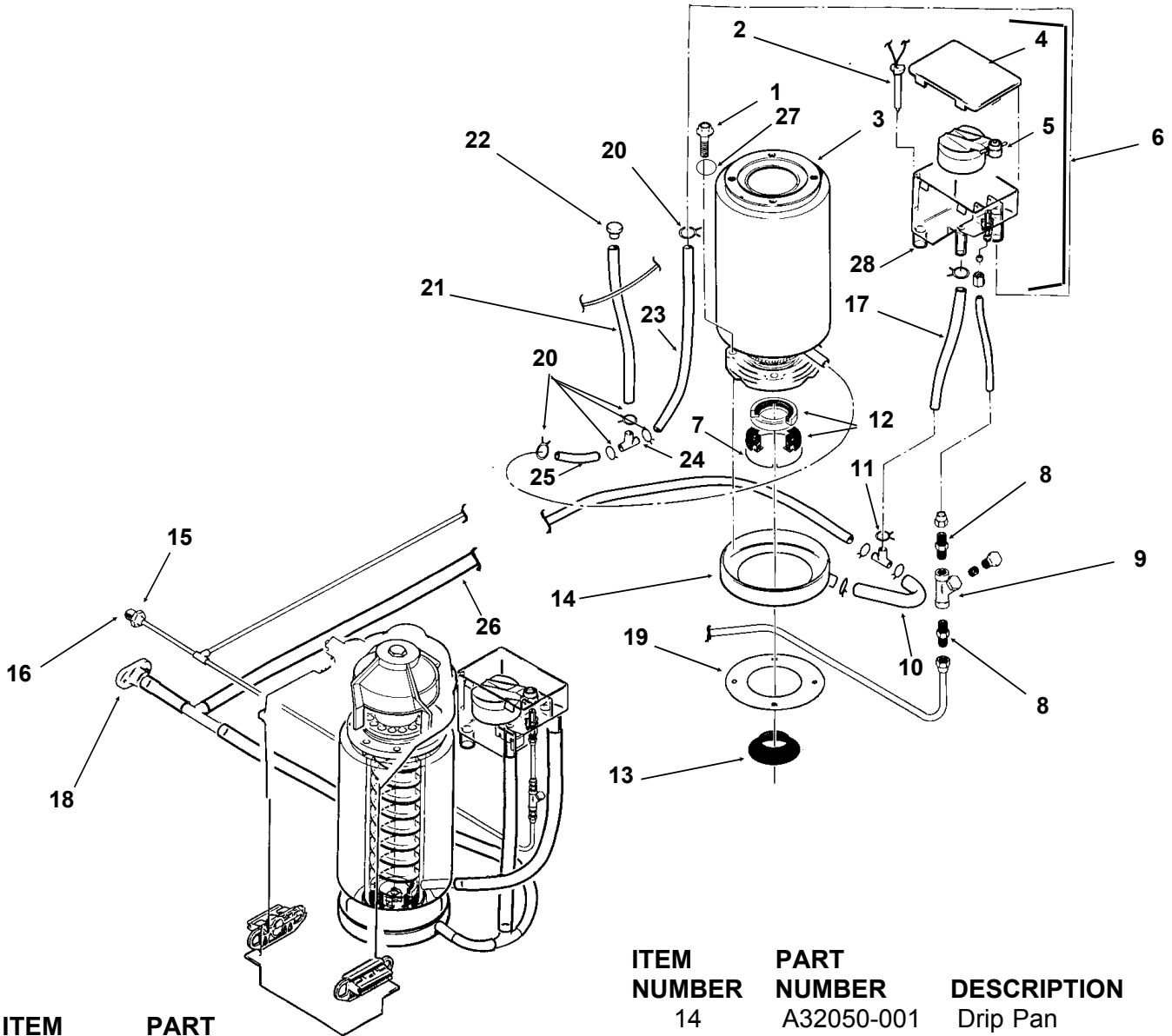
NOTE: Compressors have internal overloads.



ITEM NUMBER	PART NUMBER	DESCRIPTION	ITEM NUMBER	PART NUMBER	DESCRIPTION
1	12-2257-21	Liquid Line Valve	13	18-6800-01	Rubber Grommet
2	03-1406-13	Nut	14	11-0422-22	Head Pressure Valve
3	03-1410-06	Washer	15	11-0477-20	Thermo Expansion Valve
4	A32968-001	Receiver Brace	16	A32961-020	Insulation Kit for TXV
5	A31801-002	Receiver Mount	17	A35566-001	Suction Line
6	11-0446-27	Hi Pressure Cut Out	18	16-0832-20	Access valve
7	16-0761-01	Receiver		16-0832-02	Stem cap
8	03-1645-01	Cap Screw		16-0832-03	Core cap
9	02-3319-02	Dryer	19	A32890-020	Evaporator
10	03-1405-20	Cap Screw	20	18-8716-23	Compressor (1 Phase)
11	03-1407-07	Washer		18-8716-25	Compressor (3 Phase)
12	18-2300-27	Sleeve	21	18-2308-01	Crankcase Heater
			22	18-2309-01	Clip
			23	16-0701-06	3/8" male half

FM2402R SERVICE PARTS

Water System, Water Seal

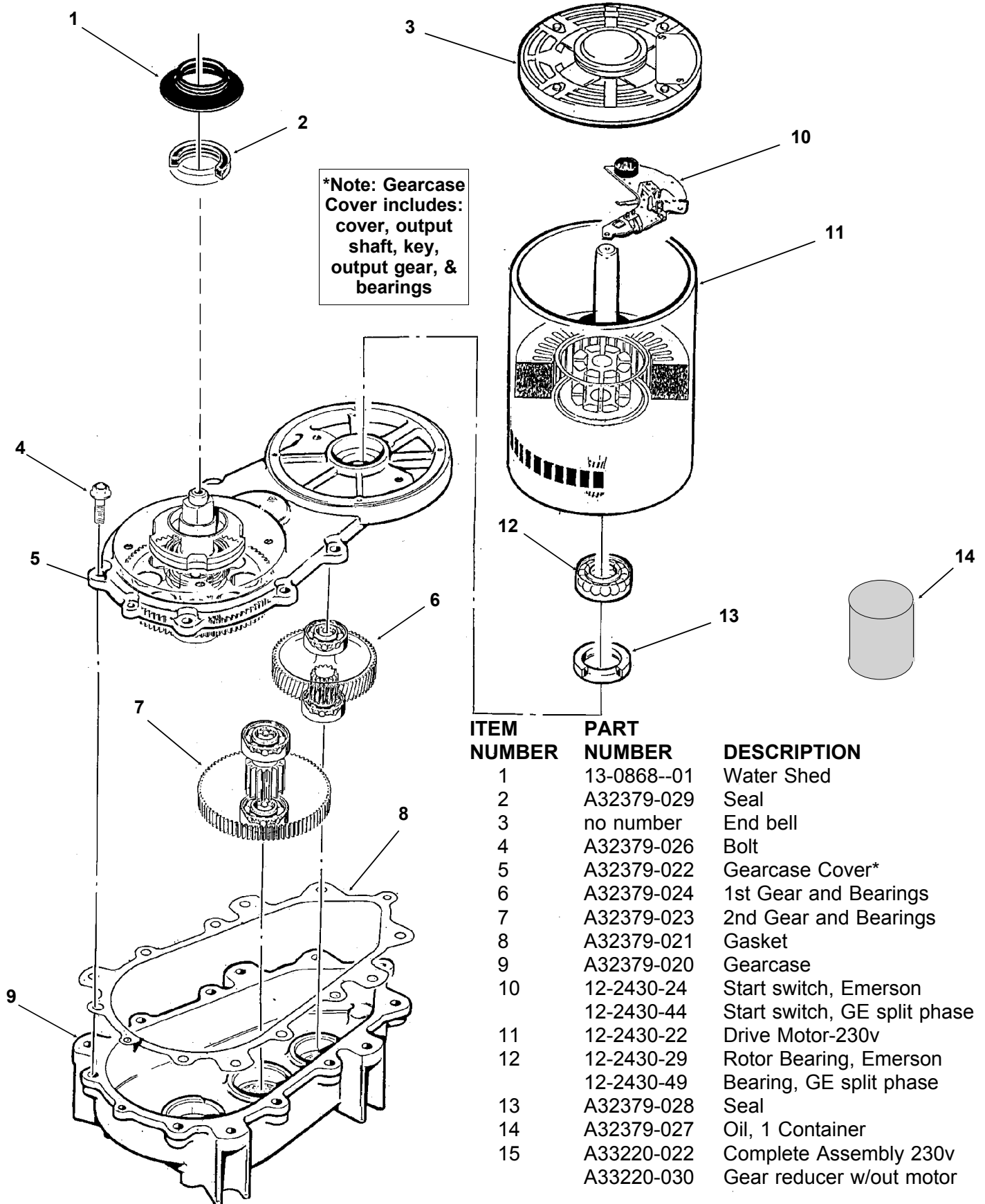


ITEM NUMBER	PART NUMBER	DESCRIPTION
1	03-1420-03	Cap Screw
2	A33101-022	Water Level Sensor
3	A32890-020	Evaporator
4	02-2936-01	Res. Cover
5	A32907-001	Float Assembly with pin, housing seal, rubber seat, insert & float
6	A32929-020	Reservoir Assembly
7	A32777-001	Retaining Ring for Seal

ITEM NUMBER	PART NUMBER	DESCRIPTION
14	A32050-001	Drip Pan
15	A27318-001	Water Inlet Fitting
16	03-1394-01	Pal Nut
17	13-0079-03	Res. Overflow, 8" req.
18	A3282-004	Drain Casting
19	13-0704-00	Gasket
20	02-2814-08	Clamps
21	13-0674-06	Evap. Drain, 14" req.
22	13-0840-01	Plug
23	13-0674-06	Evap. Inlet Tube, 5" req.
24	16-0670-01	Tee
25	A33203-001	Tube, Preformed
26	13-0079-03	Drain Tube, 24" req.
27	03-1417-13	Lockwasher
28	13-0230-00	Rubber Cap
	02-2814-01	Clamp

FM2402R SERVICE PARTS

Gearmotor



FM2402R SERVICE PARTS

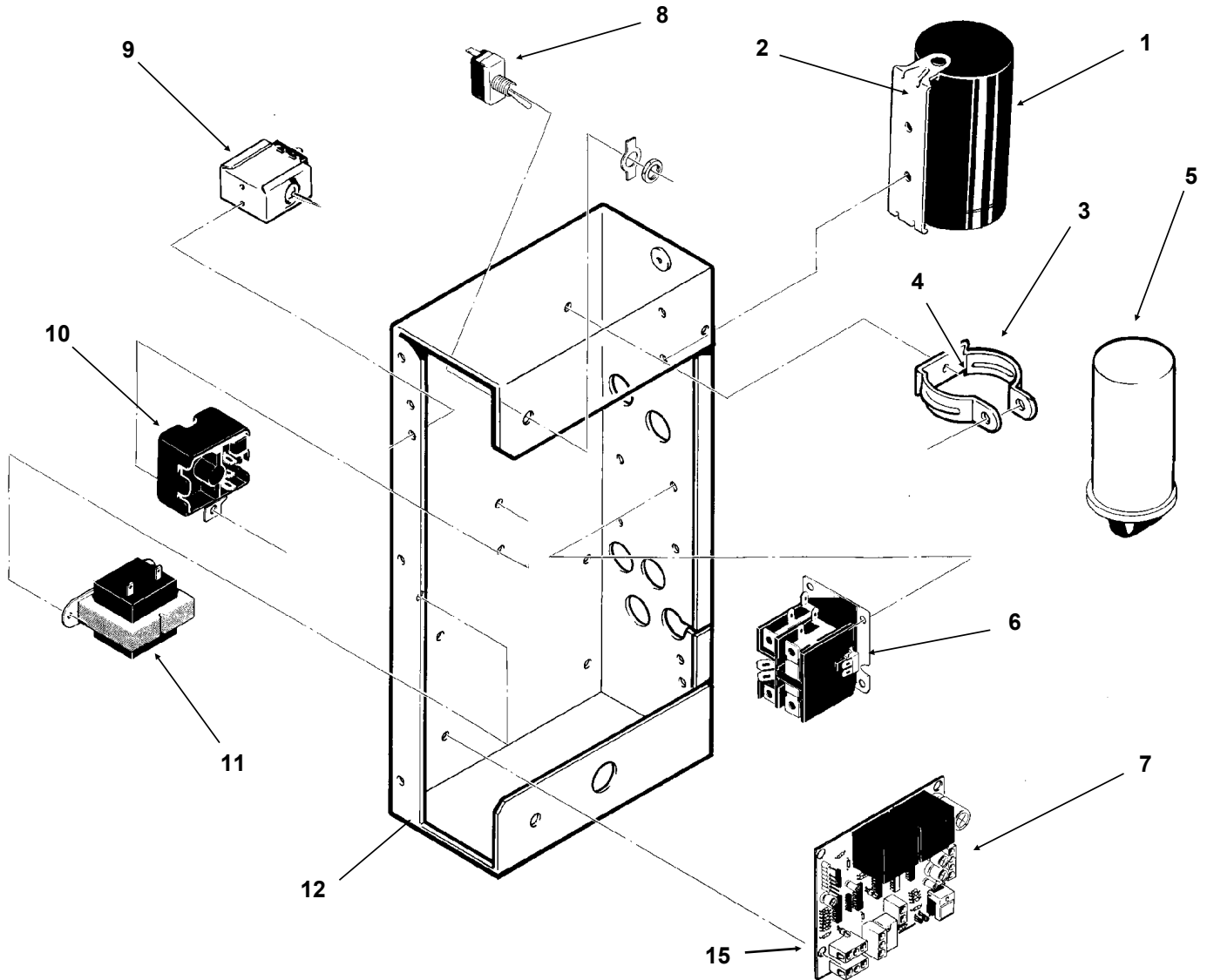
Evaporator, Bin Controls

Bail clamp. pn
A34969-001

ITEM NUMBER	PART NUMBER	DESCRIPTION
1.	02-2933-01	Hex Stud
2.	A32891-020	Housing & Switch
	12-2398-01	Switch
	13-0617-53	O-ring
3.	02-2930-01	Ice Chute Cover
4.	A32963-001	Insulation Top (half)
5.	02-2926-01	Ice Chute Body
6.	A33102-001	Insulation Collar Inside
	A35419-020	Strap Kit
7.	02-2929-01	Ice Chute Lower
8.	A37708-021	Bin Controls Assy. (set of 2)
9.	A32930-001	Chute Gasket
10.	03-1405-52	Hex Cap Screw
11.	02-3001-01	Ice Sweep
12.	13-0871-01	Water Shed
13.	02-2978-01	Lip Seal
14.	02-3128-20	Breaker Cover
15.	13-0617-54	O-Ring
16.	08-0660-01	Auger Stud, includes #17
17.	no number	Washer, part of #16
18.	A34559-020	Bearing
19.	02-2977-01	Lip Seal
20.	03-1405-27	Screw
	21.	13-0617-52 O-Ring
	22.	02-2916-01 Slotted Collar
	23.	13-0617-45 O-Ring
	24.	03-1544-08 Soc. Head Screw
	25.	A34505-020 Breaker (Divider) (includes 18 & 19)
	26.	A38071-022 Auger
	27.	A32890-020 Evaporator
	28.	03-1420-03 Cap Screw
	29.	A32962-001 Insulation Bot. (half)
	30.	A32050-001 Drip Pan
	31.	13-0704-00 Drip Pan Gasket
	32.	13-0868-01 Water Shed
	33.	13-0617-49 O-ring
	34.	03-1408-36 Washer
	35.	A34969-001 Bail clamp, not shown

FM2402R SERVICE PARTS

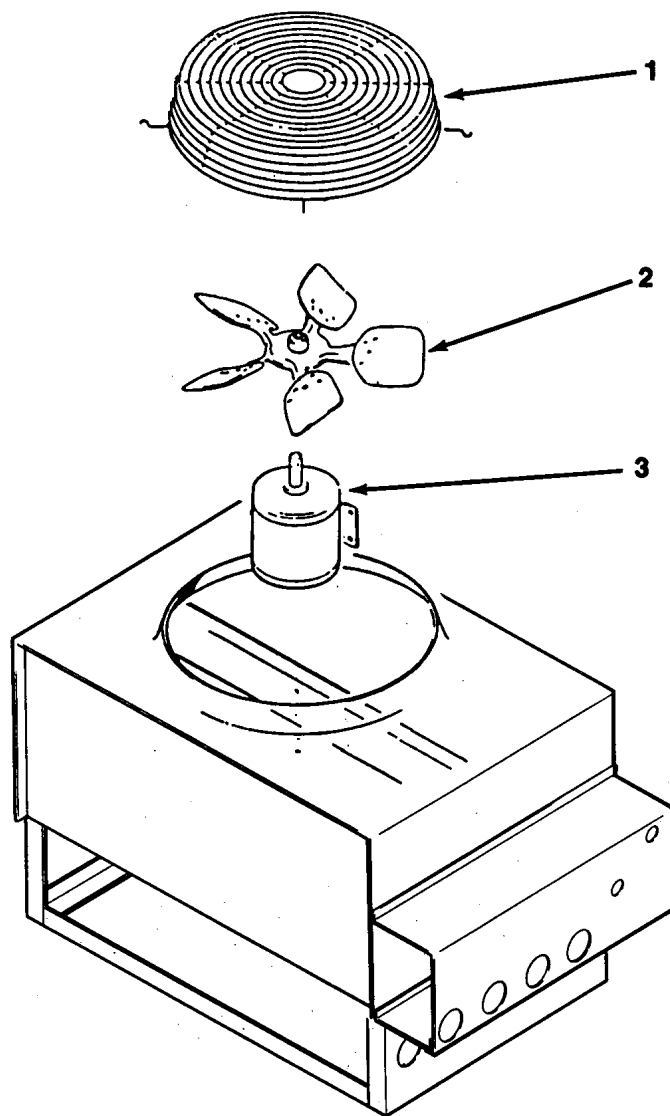
Control Box



ITEM NUMBER	PART NUMBER	DESCRIPTION	ITEM NUMBER	PART NUMBER	DESCRIPTION
1	18-1901-15	Start Capacitor	7	A37750-021	Circuit Board
	18-2200-38	Start Capacitor Cap.	8.	12-0426-01	Master Switch
2.	18-2200-39	Start Capacitor Bracket	9.	11-0420-23	Low Pressure Control
	03-1638-04	Screw	10	18-1903-33	Potential Relay
	03-1417-15	Lockwasher	11.	12-2285-22	Transformer
3.	A32872-001	Run Cap Bracket	12	no number	Control Box Assy
	03-1652-02	Bolt	NOT ILLUSTRATED		
	03-0255-04	Wing Nut	13.	12-2337-02	3 Pin Plug Assy (Safety Circuit to Circuit Board)
4.	03-1638-03	Screw	14.	12-2340-01	4 Pin Plug Assy (Transformer to Circuit Board)
5.	18-1902-53	Run Capacitor	15	12-2350-01	Spacer/screw
6.	12-2469-02	Single Phase Contactor	Separate From The Control Box		
	12-0739-02	Three Phase Contactor	16.	12-2070-04	Fan Motor Relay (in a separate control box)
			17.	A34055-001	Control box cover

FM2402R SERVICE PARTS

Remote Condenser

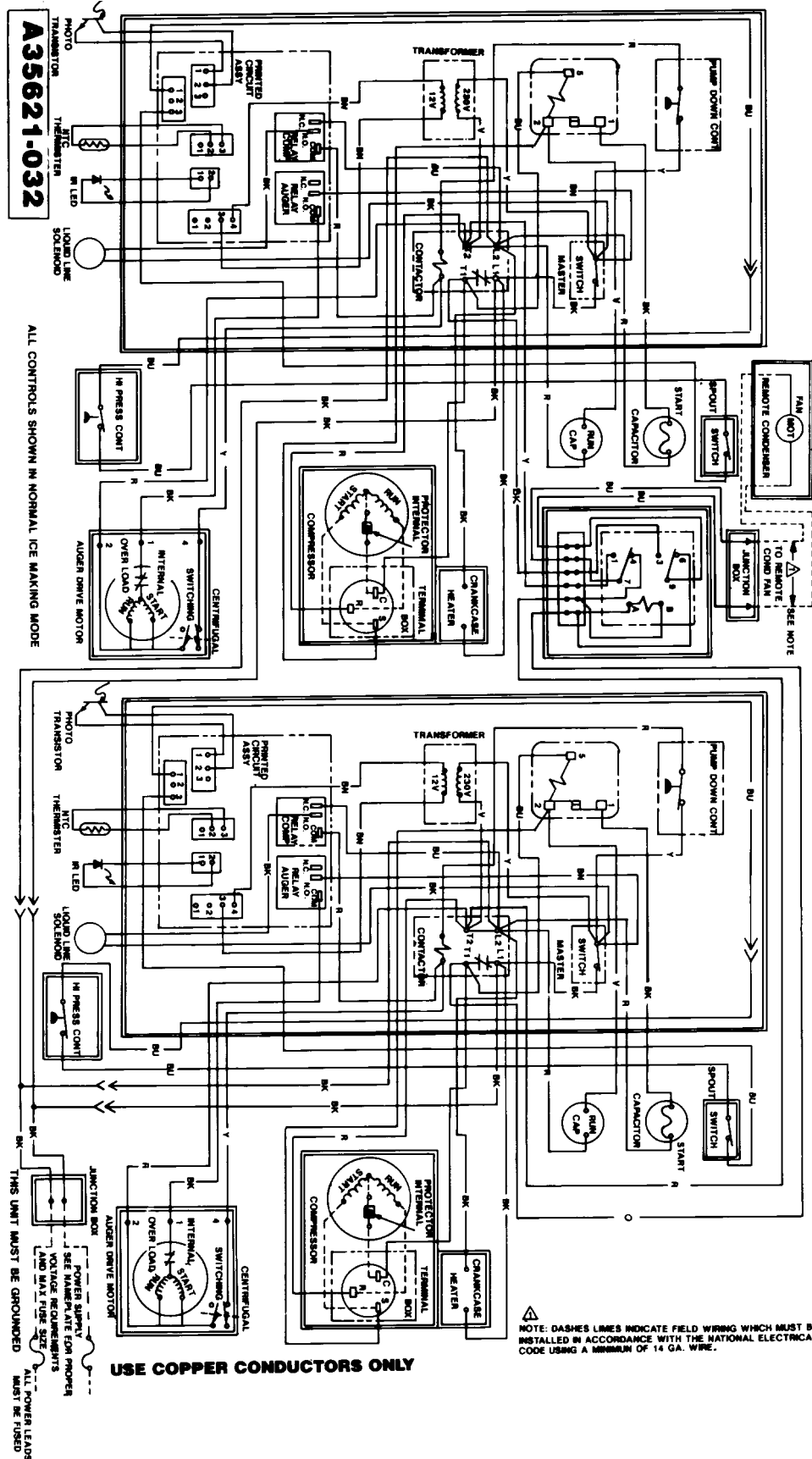


RC1022-32A or RC1222-32A

ITEM NUMBER	PART NUMBER	DESCRIPTION
1.	02-2628-01	Fan Guard
2.	18-6304-01	Fan Blade
3.	18-5301-01	Fan Motor
4.	16-0701-02	Line connection, female half 3/8"
5.	16-0701-10	Line connection, femaler half 1/2"

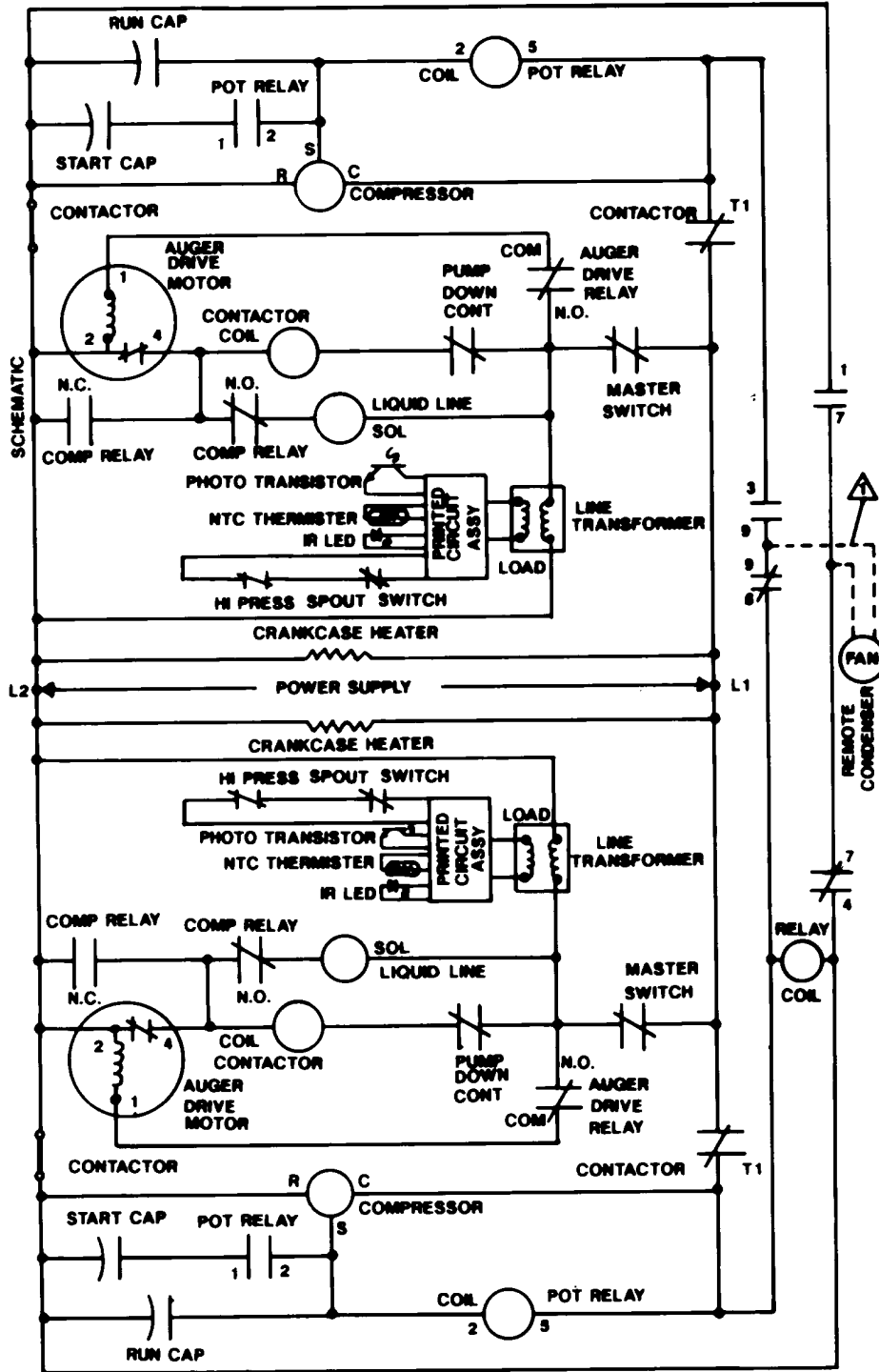
FM2402R SERVICE PARTS

Component Layout Diagram 208-230/60/1



FM2402R SERVICE PARTS

Schematic Diagram 208-230/60/1



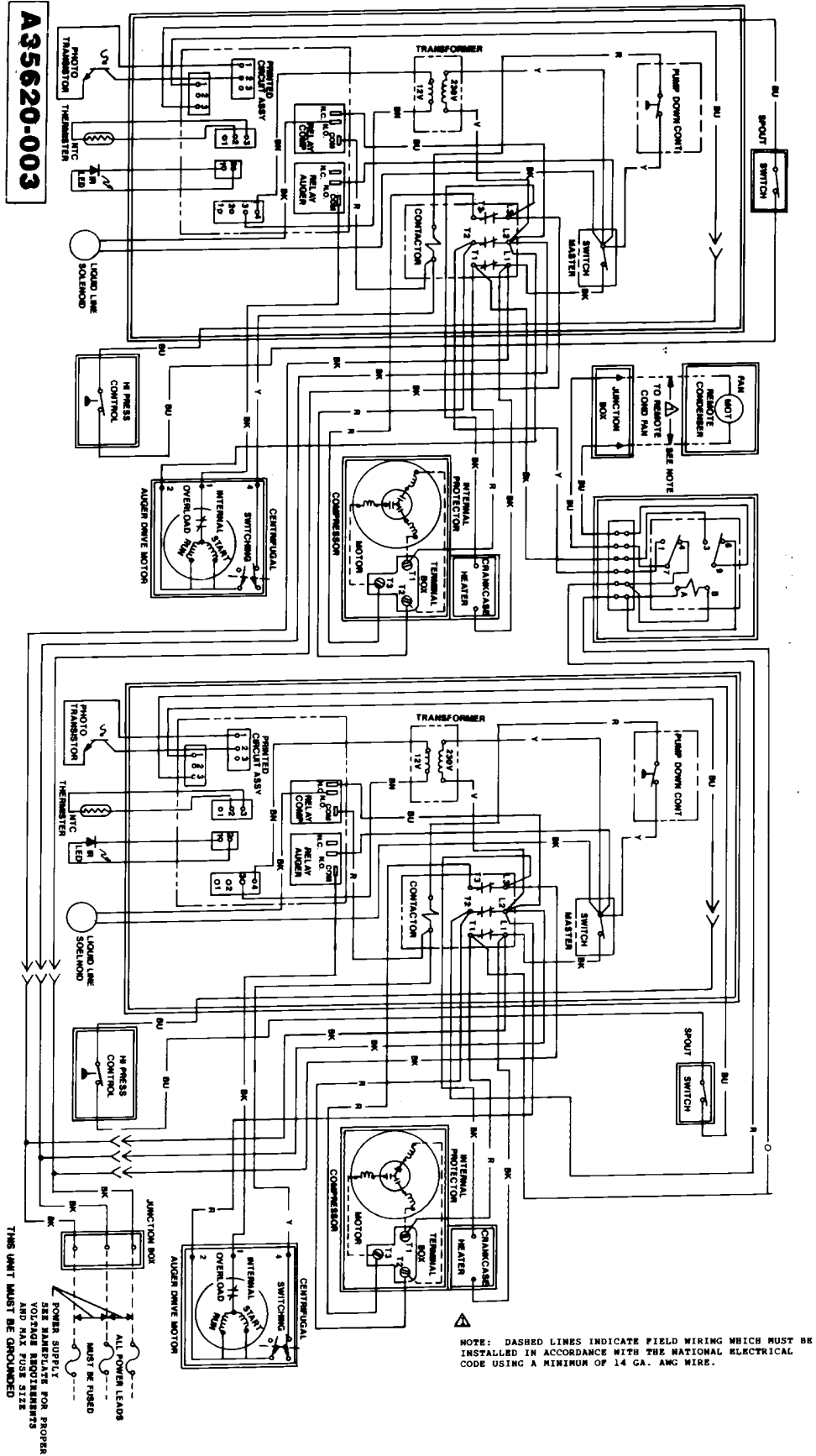
USE COPPER CONDUCTORS ONLY THIS UNIT MUST BE GROUNDED

All controls shown in normal ice making mode.

Note: Dashed lines indicate field wiring which must be installed in accordance with the National Electric Code using a minimum of 14 ga. awg. wire.

FM2402R SERVICE PARTS

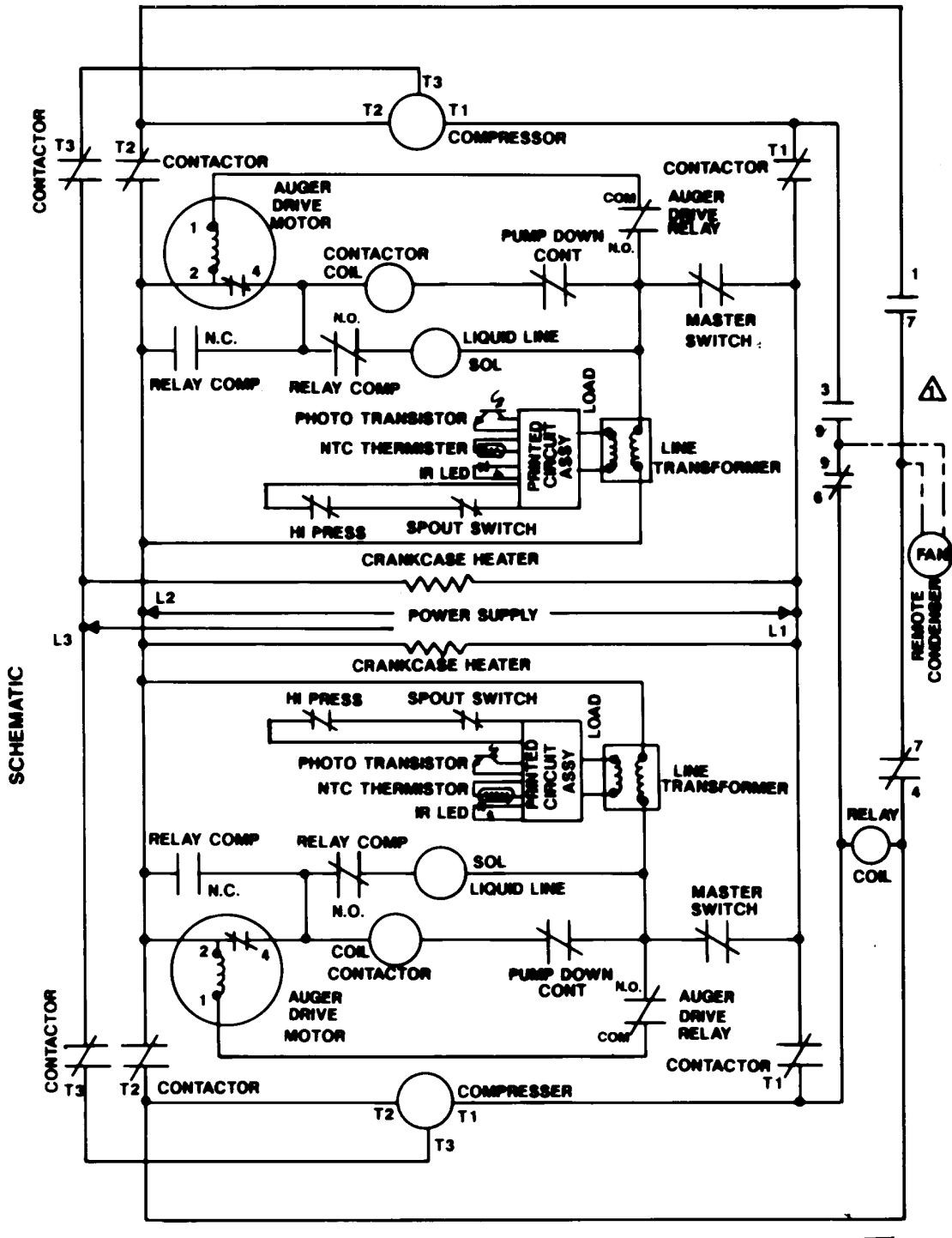
Component Layout Diagram 208-230/60/3



ALL POWER LEADS
MUST BE FUSED
POWER SUPPLY
SEE HANDBOOK FOR PROPER
VOLTAGE REQUIREMENTS
AND WIRE GAGE SIZE
THIS UNIT MUST BE GROUNDING

FM2402R SERVICE PARTS

Schematic Diagram 208-230/60/3



USE COPPER CONDUCTORS ONLY THIS UNIT MUST BE GROUNDED

All controls shown in normal ice making mode.

Note: Dashed lines indicate field wiring which must be installed in accordance with the National Electric Code using a minimum of 14 ga. awg. wire.