

MF6C Parts List

Table of Contents

Cabinet

Major Assemblies

Air Cooled Parts

Water Cooled Parts

Chute

Gear Motor

Evaporator - most

Control Box

Evaporator - early

Spout

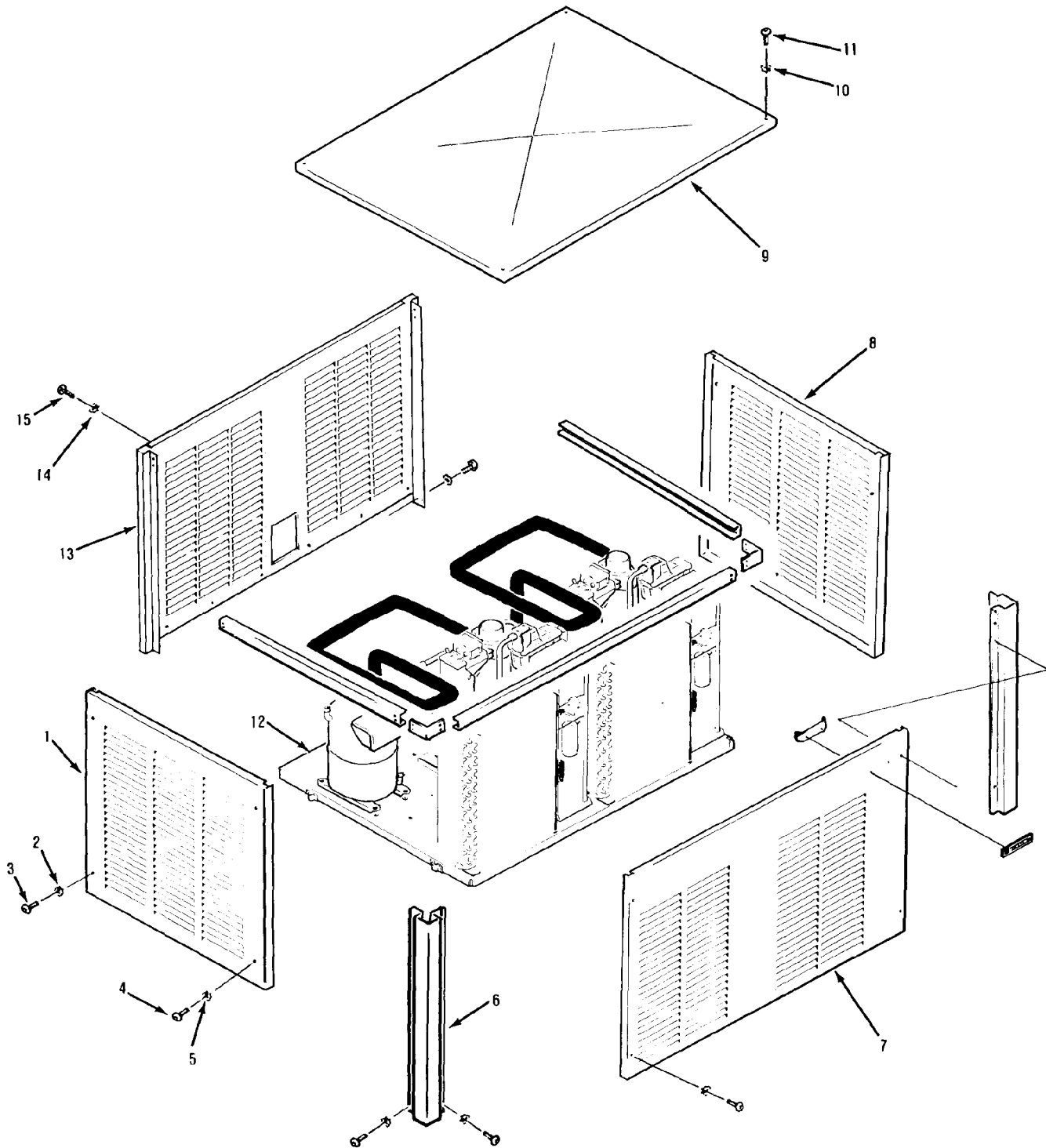
Wiring Diagrams

MF6C
THE PARTS ILLUSTRATIONS AND PARTS LISTS

CABINET ASSEMBLY

ITEM NUMBER	PART NUMBER	DESCRIPTION
1	A30668-001	Side Panel
2	03-1417-03	Washer
3	03-1404-19	Screw
4	03-1404-19	Screw
5	03-1417-03	Washer
6	A30674-001	Corner Post
7	A30667-001	Panel Front
8	A30668-001	Side Panel
9	A30672-001	Panel Top
10	03-1417-03	Washer
11	03-1404-10	Screw
12	<i>No Number</i>	Base Assembly
13	A30669-001	Panel Rear
14	03-0571-00	Screw
15	03-1417-09	Washer

inFbC
THE PARTS ILLUSTRATIONS AND PARTS LISTS



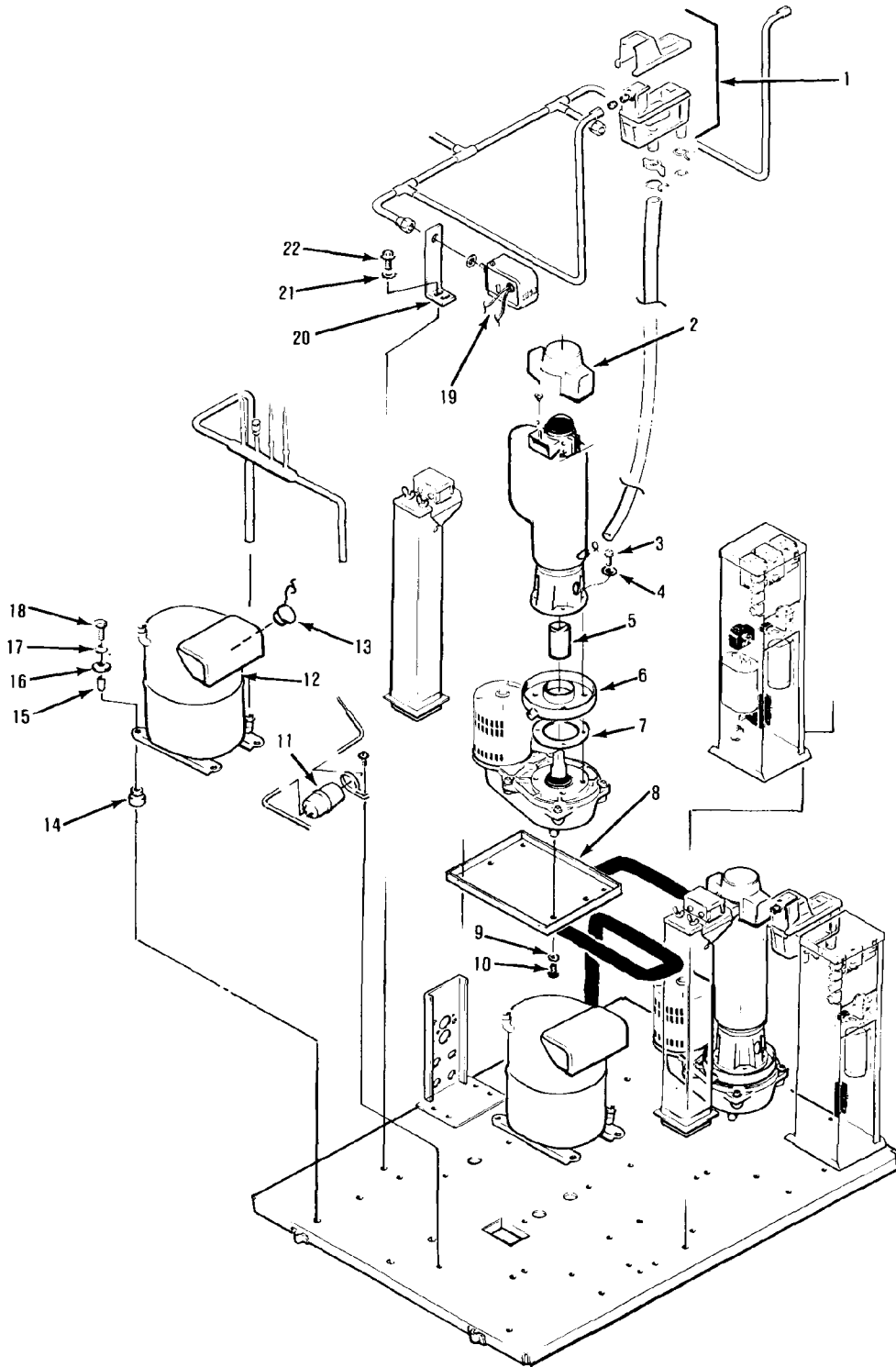
Cabinet Assembly

mFbC
THE PARTS ILLUSTRATIONS AND PARTS LISTS

MAJOR ASSEMBLIES

ITEM NUMBER	PART NUMBER	DESCRIPTION
1	02-2217-01	Reservoir
2	13-0809-01	Freezer Cap
3	03-1420-03	Screw
4	03-1408-03	Washer
5	15-0573-01	Coupling
6	A21290-000	Drip Pan
7	13-0704-00	Gasket
8	A28207-001	Motor Plate
9	03-1408-35	Washer
10	03-1420-01	Screw
11	02-0544-01	Drier
12	18-3800-02	Compressor Assem. - 230/60/1
	18-3800-03	Compressor Assem. - 208-220/60/3
	18-3800-07	Compressor Assem. - 208/60/1
13	18-2300-25	Overload - 230/60/1
	18-2300-32	Overload - 208/60/1
		NOTE: 208-220/60/3 Internally protected. No Service Replacement Part.
14	18-2300-27	Grommet
15	18-2300-26	Sleeve
16	03-2408-29	Washer
17	03-1417-12	Lockwasher
18	03-1405-40	Screw
19	11-0296-00	Low Pressure Control (Water)
20	A30705-001	Pressure Control Bracket
21	03-1417-09	Lockwasher
22	03-0571-00	Screw

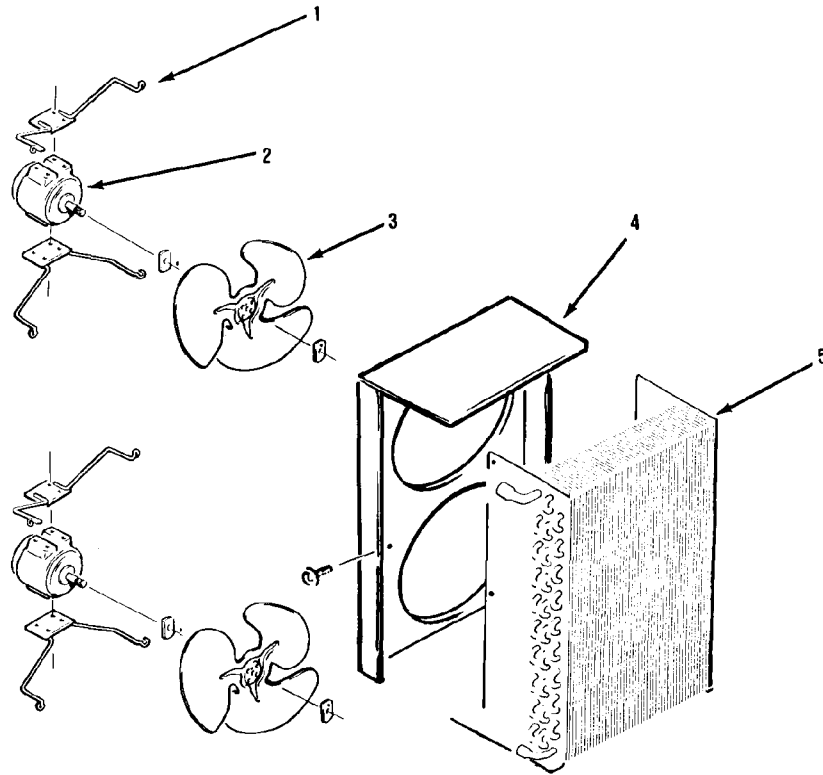
MF6C THE PARTS ILLUSTRATIONS AND PARTS LISTS



Major Assemblies

AUGUST 1983
Page 17

MF6C
THE PARTS ILLUSTRATIONS AND PARTS LISTS

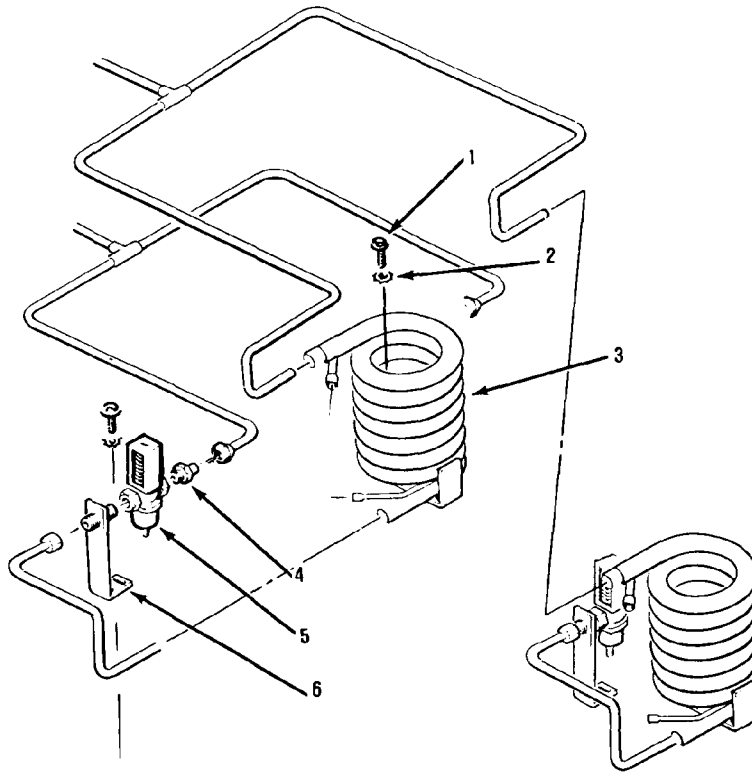


AIR-COOLED ASSEMBLIES

ITEM NUMBER	PART NUMBER	DESCRIPTION
1	02-2373-01	Fan Mounting Bracket
2	12-1575-02	Fan Motor
3	18-0231-00	Fan Blade and Nut
4	A26161-001	Shroud
5	18-3714-01	Condenser

Air-Cooled Assemblies

MF6C
THE PARTS ILLUSTRATIONS AND PARTS LISTS



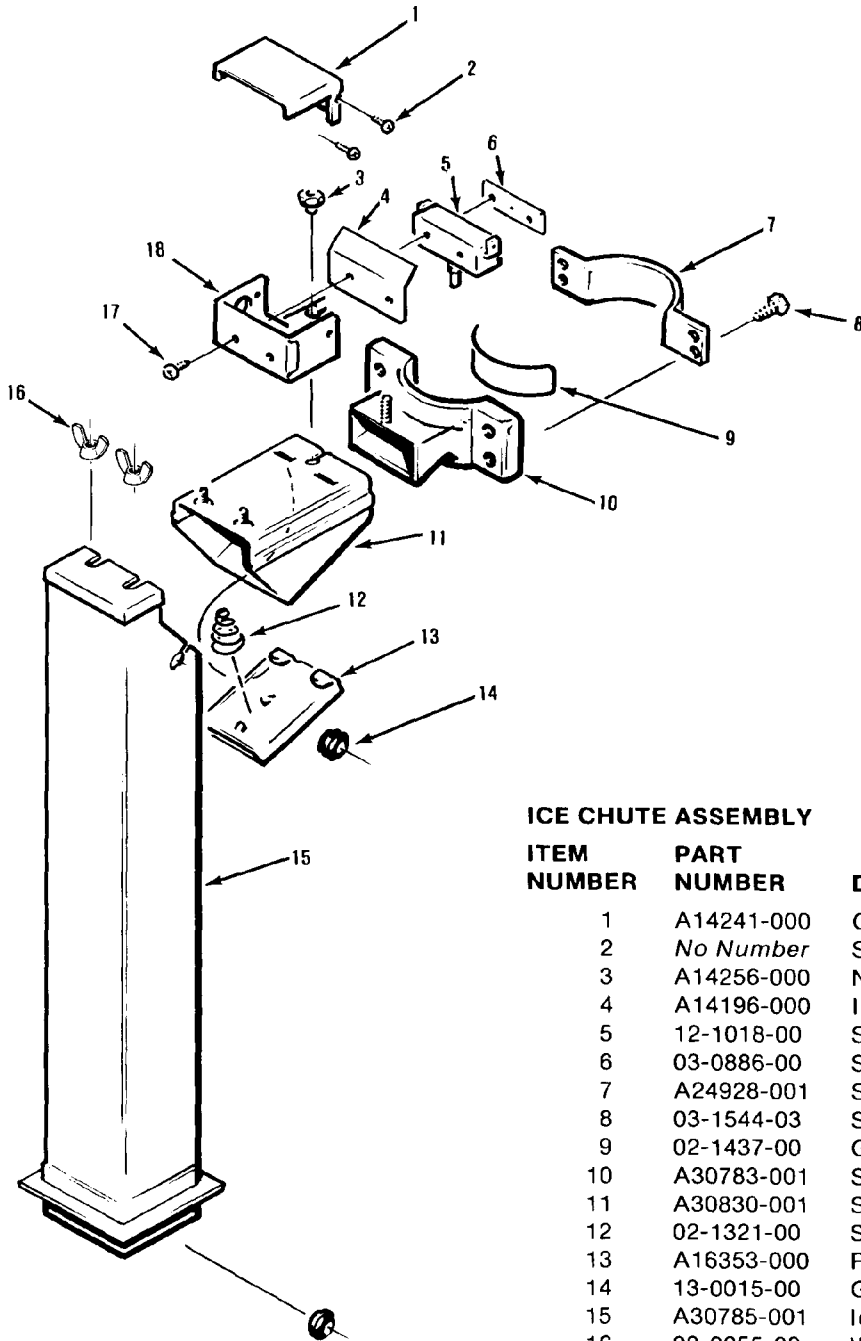
WATER-COOLED ASSEMBLIES

ITEM NUMBER	PART NUMBER	DESCRIPTION
1	03-0571-00	Screw
2	03-1417-09	Lockwasher
3	18-3306-02	Condenser
4	16-0355-00	Coupling
5	11-0198-02	Water Regulator
6	A15924-000	Pipe Nipple Assembly

Water-Cooled Assemblies

AUGUST 1983
Page 19

MF6C
THE PARTS ILLUSTRATIONS AND PARTS LISTS

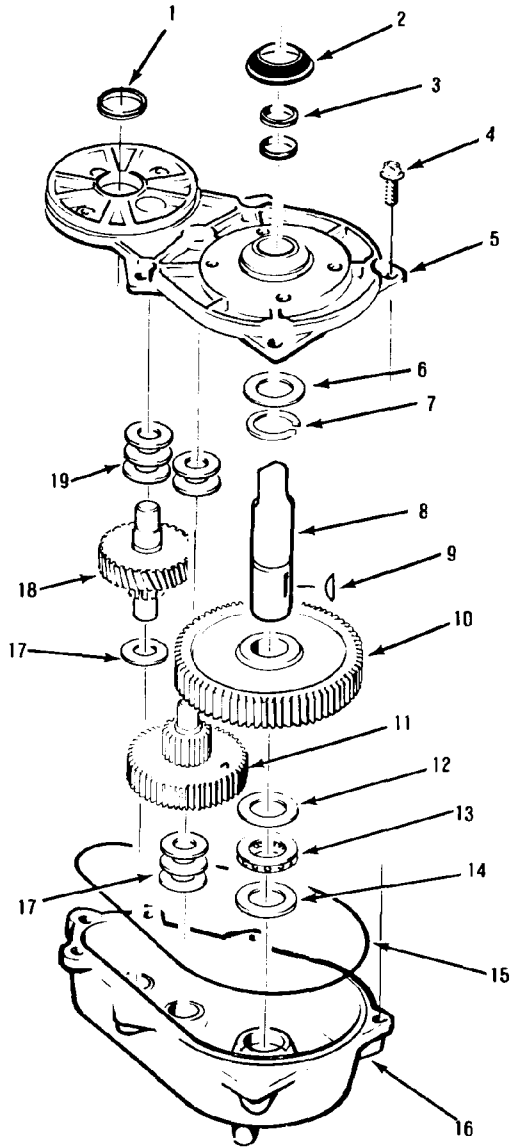


ICE CHUTE ASSEMBLY

ITEM NUMBER	PART NUMBER	DESCRIPTION
1	A14241-000	Cover
2	No Number	Screw
3	A14256-000	Nut
4	A14196-000	Insulation
5	12-1018-00	Switch
6	03-0886-00	Speed Nut
7	A24928-001	Spout Plate
8	03-1544-03	Screw
9	02-1437-00	Gasket
10	A30783-001	Spout
11	A30830-001	Spout Fabricated Assembly
12	02-1321-00	Spring
13	A16353-000	Pressure Plate Assembly
14	13-0015-00	Grommet
15	A30785-001	Ice Chute Fab. Assembly
16	03-0255-02	Wing Nut
17	03-1403-08	Screw
18	A14976-000	Box Limit

Ice Chute Assembly

MF6C THE PARTS ILLUSTRATIONS AND PARTS LISTS



*NOTE: Torque cover mounting screws
250-300 inch pounds.

DRIVE MOTOR ASSEMBLY

ITEM NUMBER	PART NUMBER	DESCRIPTION
1	02-1606-00	Oil Seal
2	13-0709-02	Water Shed
3	02-1607-01	Oil Seal
4	03-1251-01	Screw
5	A31230-001	Gear Case Cover Assembly *
6	02-1681-00	Thrust Race
7	03-1363-00	Retaining Ring
8	02-1652-00	Shaft, Output
9	03-1364-00	Key
10	02-1653-00	Gear, Output
11	02-2071-00	Third Pinion Assembly, Second Gear and
12	02-1681-00	Thrust Race
13	02-1680-00	Bearing
14	02-1679-00	Thrust Race
15	A26103-001	"O" Ring
16	A31230-001	Gear Case Assembly Bottom *
17	03-1408-24	Washer
18	02-2072-00	Second Pinion Assembly, First Gear and
19	03-1408-24	Washer
20	A32425-002	Drive Motor
21	12-1741-22	Start Switch, Emerson
	12-1741-28	Start Switch, Ge
	12-2314-21	Cent. Switch, Ge (p.s.c.)
23	A32402-022	Gearmotor Assembly, Complete
24	A25835-001	Gearcase Oil

*NOTE: Gearcase cover and
bottom are sold as a set only.
Order Part Number A31230-001

Drive Motor Assembly

MF6C

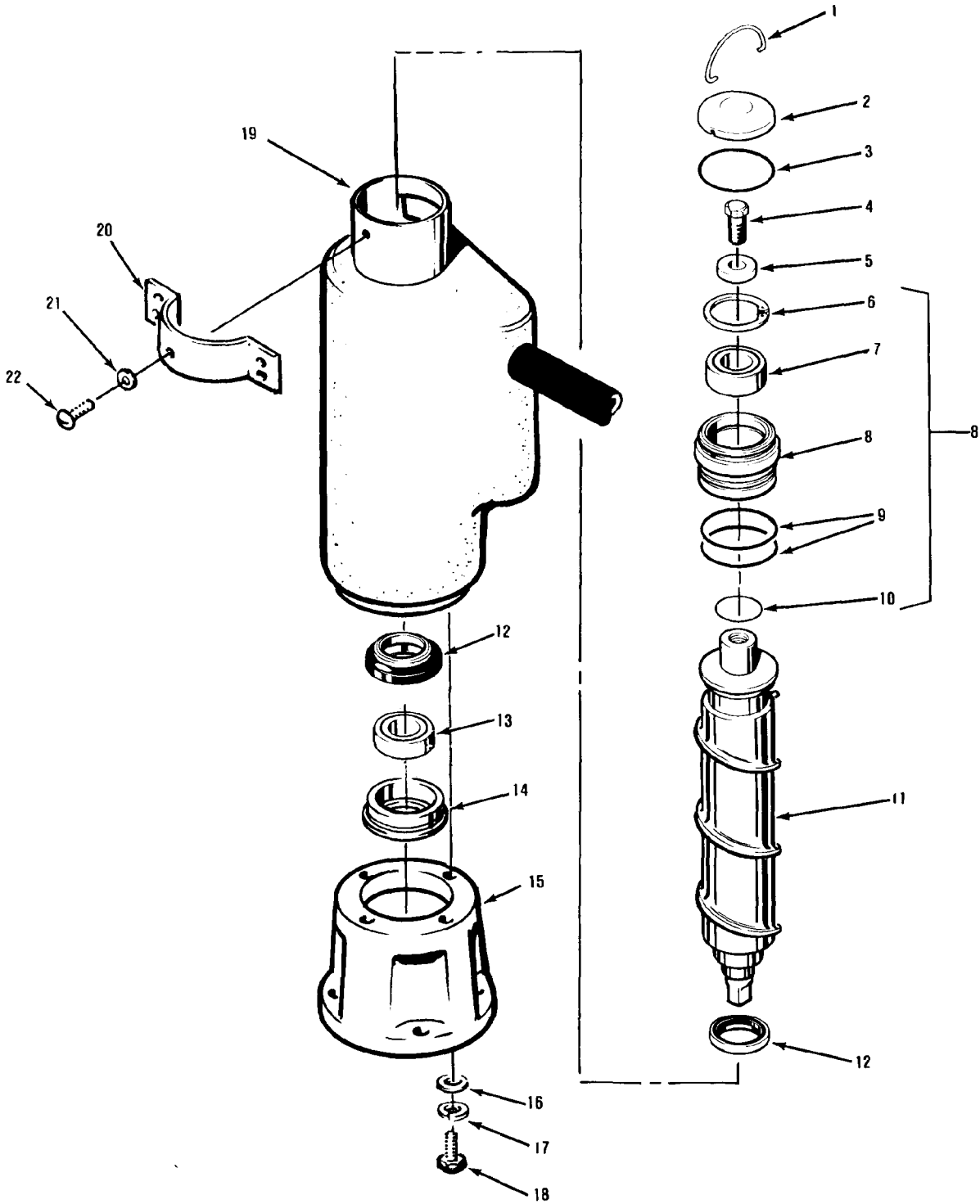
THE PARTS ILLUSTRATIONS AND PARTS LISTS

Note: See Page 26 and 27 First Production Only.
Serial Numbers 714944-09F thru 914967-09F.

FREEZER ASSEMBLY

ITEM NUMBER	PART NUMBER	DESCRIPTION
1	A08582-000	Breaker Hook
2	A08581-000	Freezer Cap
3	13-0617-20	"O" Ring
4	03-1405-36	Screw
5	A06273-000	Washer
6	03-1558-04	Retainer Ring
7	02-0646-00	Bearing
8	A26708-001	Bearing Retainer (Includes Items 6-10)
9	13-0617-40	"O" Ring
10	13-0617-15	"O" Ring
11	02-2048-01	Auger
12	02-0929-01	Water Seal
13	02-0619-00	Bearing
14	A10591-000	Bearing Retainer
15	02-1629-00	Adapter
16	03-1410-04	Washer
17	03-1408-03	Washer
18	03-1420-03	Screw
19	A30779-020	Freezer
20	A24928-001	Spout Plate
21	03-1409-20	Washer
22	03-1506-03	Screw

MF6C THE PARTS ILLUSTRATIONS AND PARTS LISTS



Freezer Assembly

AUGUST 1983
Page 23

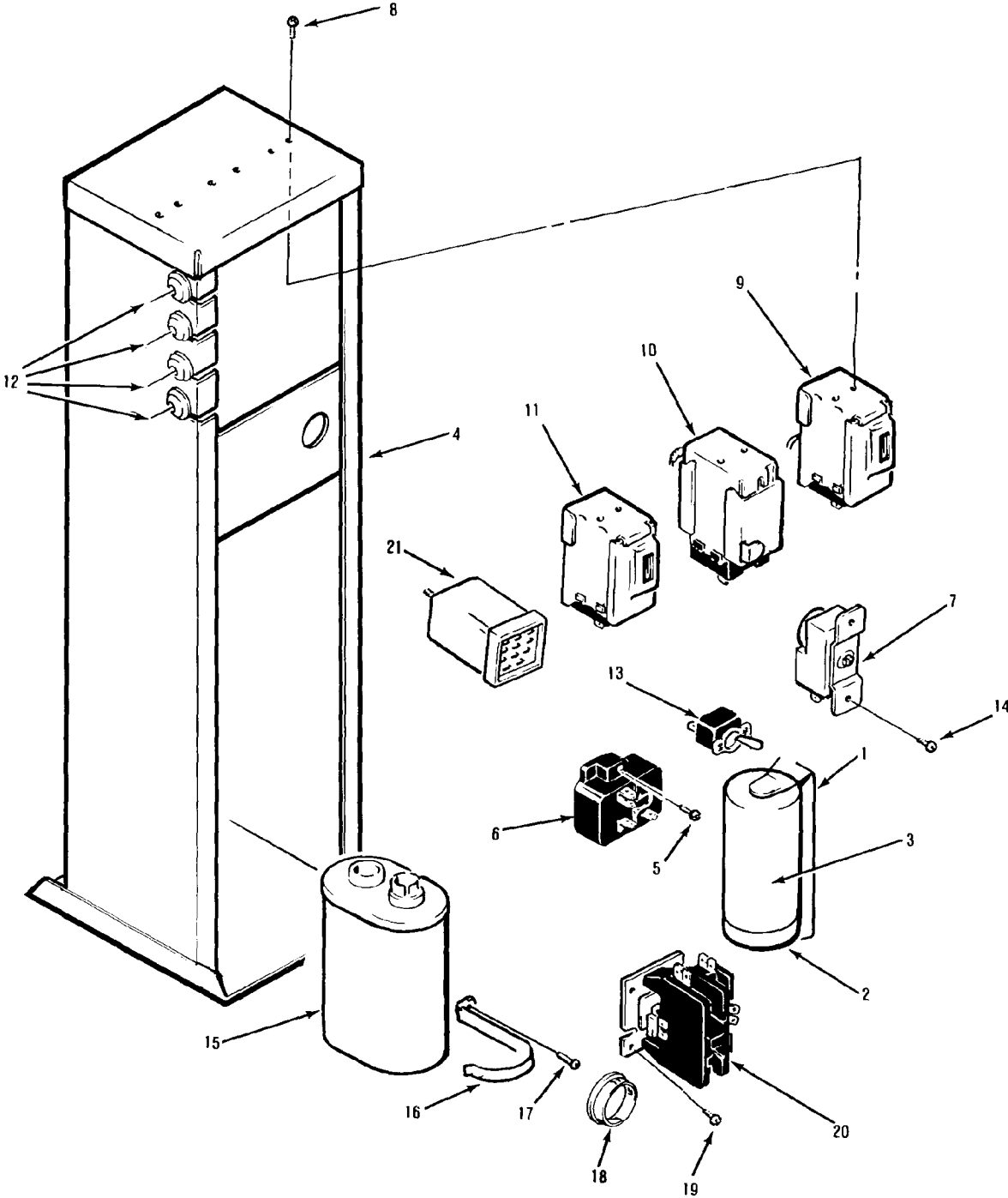
MF6C

THE PARTS ILLUSTRATIONS AND PARTS LISTS

CONTROL BOX

ITEM NUMBER	PART NUMBER	DESCRIPTION
1	18-2200-39	Start Capacitor Bracket
2	18-3724-01	Capacitor Cap
3	18-1901-15	Start Capacitor — 230-208/60/1
4	A28065-001	Control Box
5	03-1403-04	Screw
6	18-1903-29	Relay — 230/60/1
	18-1903-34	Relay — 208/60/1
7	11-0412-01	Bin Thermostat
8	03-1403-02	Screw
9	11-0402-01	Auger Relay Control
10	11-0403-01	Fan Pressure Control (A-C)
	11-0388-02	Hi Pressure Control (W-C)
11	11-0420-01	Low Pressure Control
12	13-0557-00	Grommet
13	12-0426-01	Master Switch
14	03-1403-17	Screw
15	18-1902-29	Run Capacitor — 230/60/1
	18-1902-34	Run Capacitor — 208/60/1
16	<i>No Number</i>	Capacitor Bracket
17	03-1403-23	Screw
18	12-1213-12	Snap Bushing
19	03-1403-17	Screw
20	12-2048-02	Contactactor 230-208/60/1
	12-0739-02	Contactactor 208-230/60/3
21	12-2090-05	Relay, Contactactor Isolation, 208-230

MF6C
THE PARTS ILLUSTRATIONS AND PARTS LISTS



Control Box Assembly

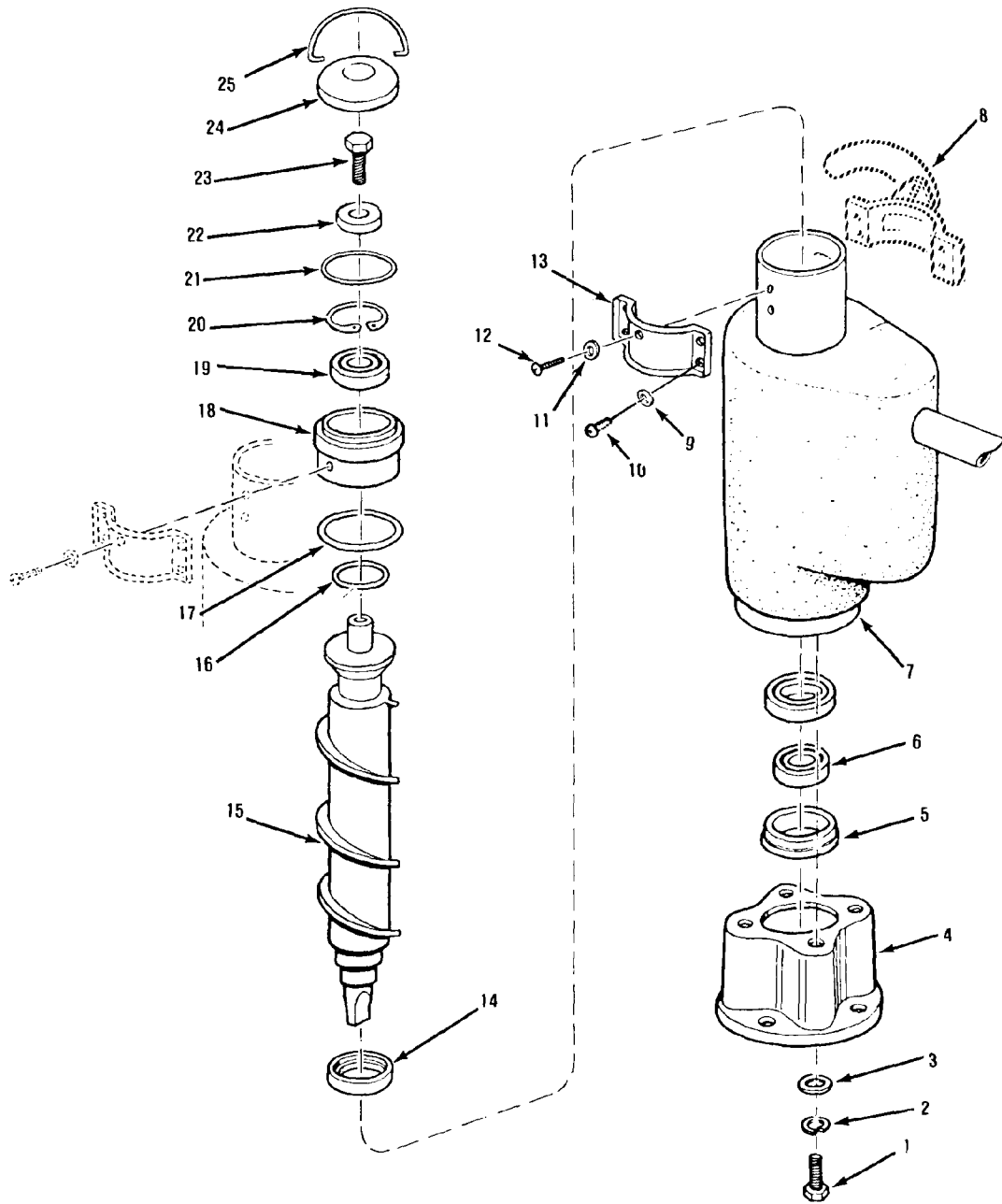
MF6C
THE PARTS ILLUSTRATIONS AND PARTS LISTS

FREEZER ASSEMBLY

FIRST PRODUCTION ONLY
SERIAL NUMBERS 714944-09F THRU 714967-09F

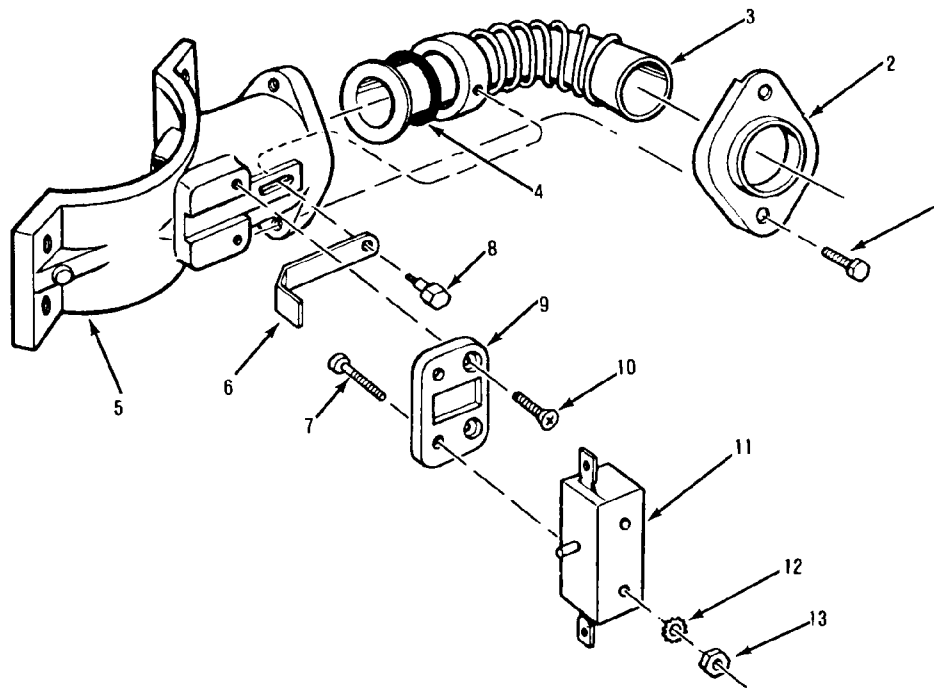
ITEM NUMBER	PART NUMBER	DESCRIPTION
1	03-1405-41	Screw
2	03-1408-03	Washer
3	03-1410-04	Washer
4	02-1629-00	Adapter
5	A10591-000	Bearing Retainer
6	02-0619-00	Bearing
7	A29361-020	Freezer
8	<i>No Number</i>	Spout
9	03-1409-20	Washer
10	03-1506-05	Screw
11	03-1409-20	Washer
12	03-1506-03	Screw
13	A24928-001	Spout Plate
14	02-0929-01	Water Seal
15	02-2048-01	Auger
16	13-0617-15	"O" Ring
17	13-0617-40	"O" Ring
18	A26708-001	Bearing Retainer and Bearing
19	02-0646-00	Bearing
20	03-1558-04	Retainer Ring
21	13-0617-20	"O" Ring
22	A06273-000	Washer
23	03-1405-36	Screw
24	A08581-000	Freezer Cap
25	A08582-000	Breaker Hook

MF6C
THE PARTS ILLUSTRATIONS AND PARTS LISTS



Evaporator Assembly

MF6C THE PARTS ILLUSTRATIONS AND PARTS LISTS



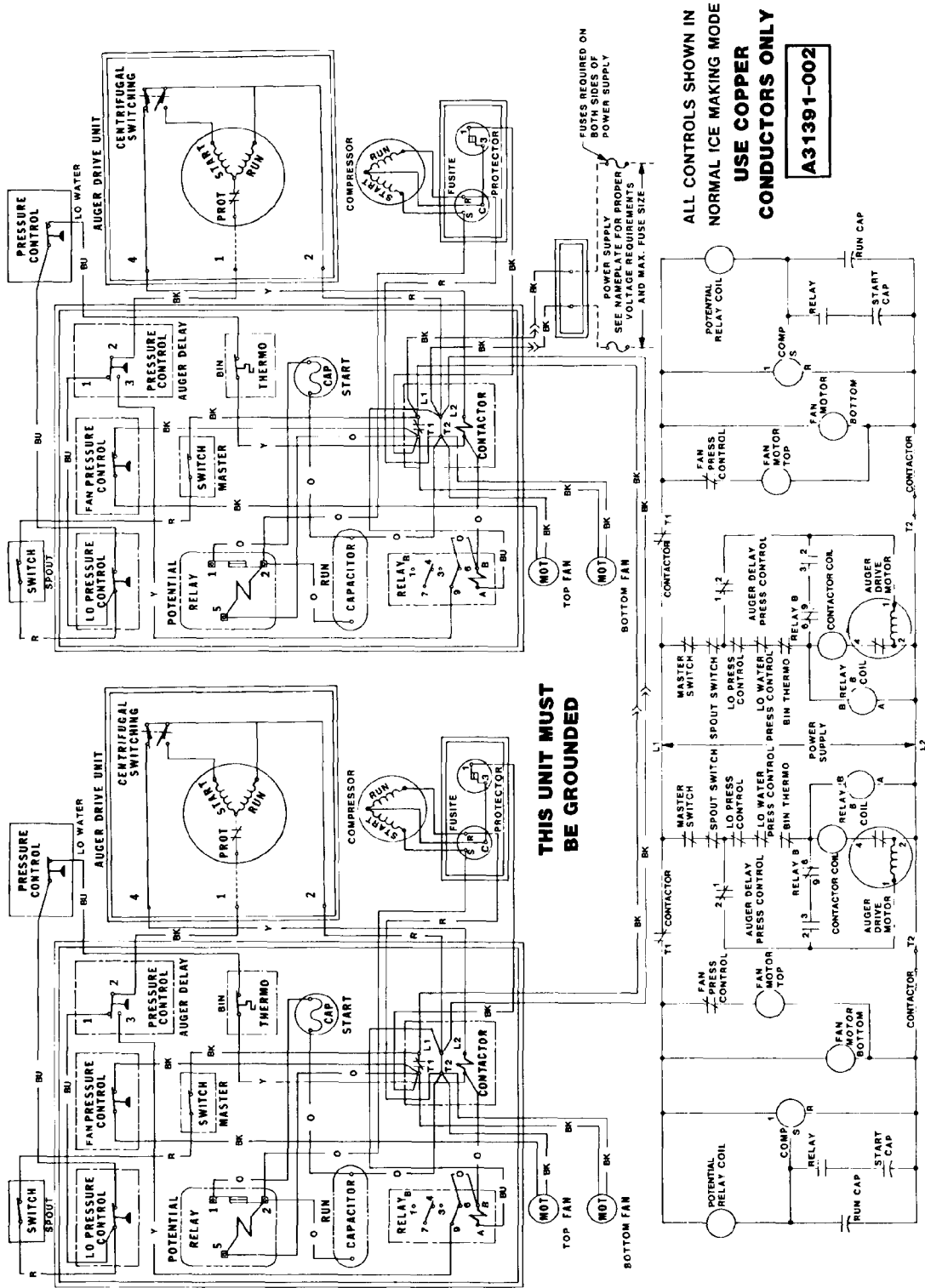
SPOUT ASSEMBLY

First Production ONLY
Serial Numbers 714944-09F thru 714967-09F

ITEM NUMBER	PART NUMBER	DESCRIPTION
1	03-1405-02	Screw 1/4-20 x 3/8 Hex Head Cap
2	A29041-001	Retainer Plate
3	02-2490-01	Tube, Ice Discharge
4	13-0617-43	"O" Ring
5	A29050-001	Spout
6	A29429-001	Actuator, Switch
7	03-1418-38	Screw No. 6-32 x 1 Flat Head Machine Phil Recess
8	A25305-001	Screw, Shoulder
9	02-2377-01	Barrier, Thermal
10	03-1418-01	Screw No. 6-32 x 3/8 Flat Head Machine - Phil Recess
11	12-1644-00	Switch
12	03-1417-01	Lockwasher No. 6 External Tooth Phosphor Bronze
13	03-1406-01	Nut No. 6-32 Hex Machine Screw
14	A29430-020	Complete Assembly

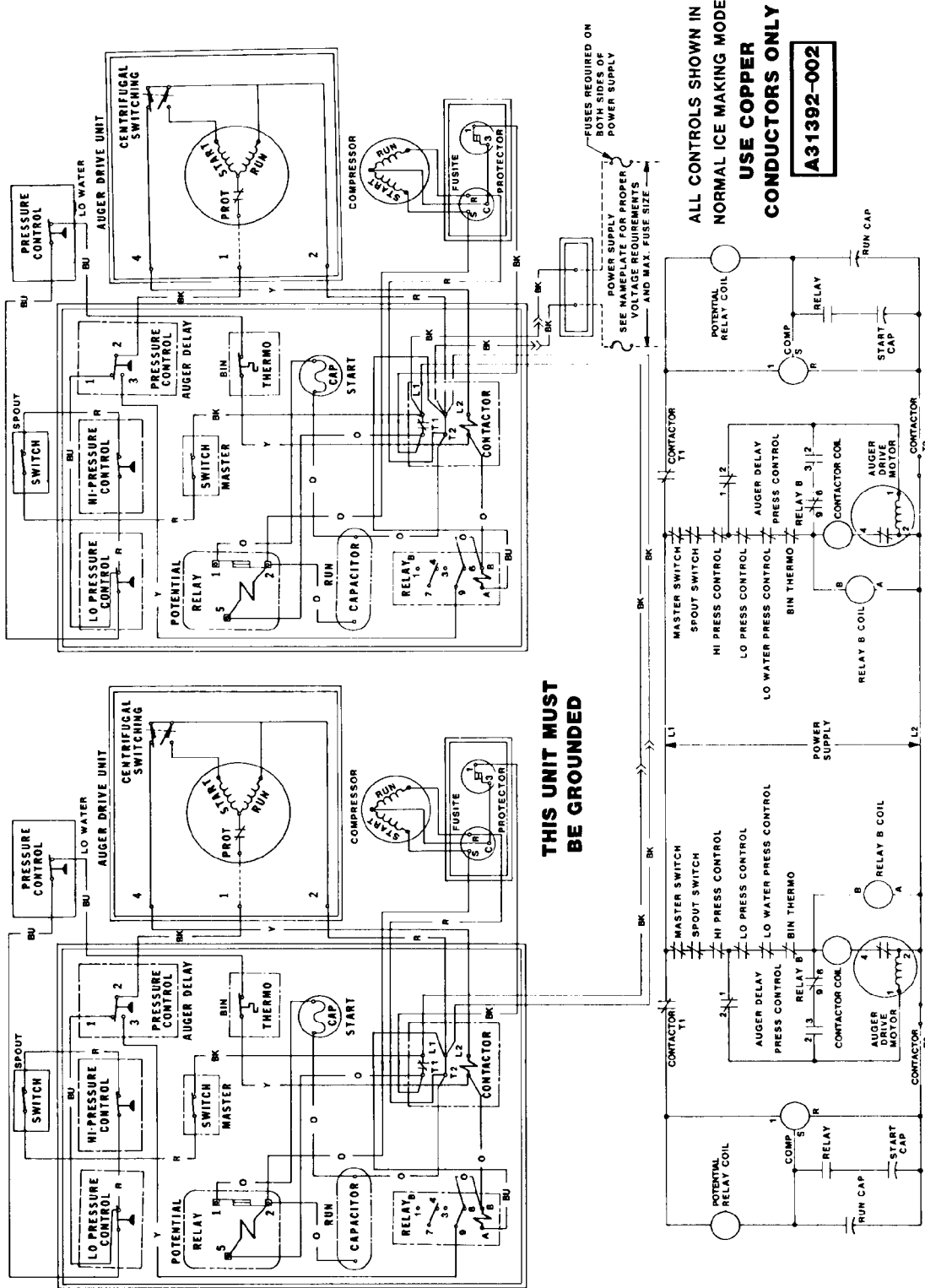
Spout Assembly

MF6C WIRING DIAGRAMS (WITH CONTACTOR ISOLATION RELAY)



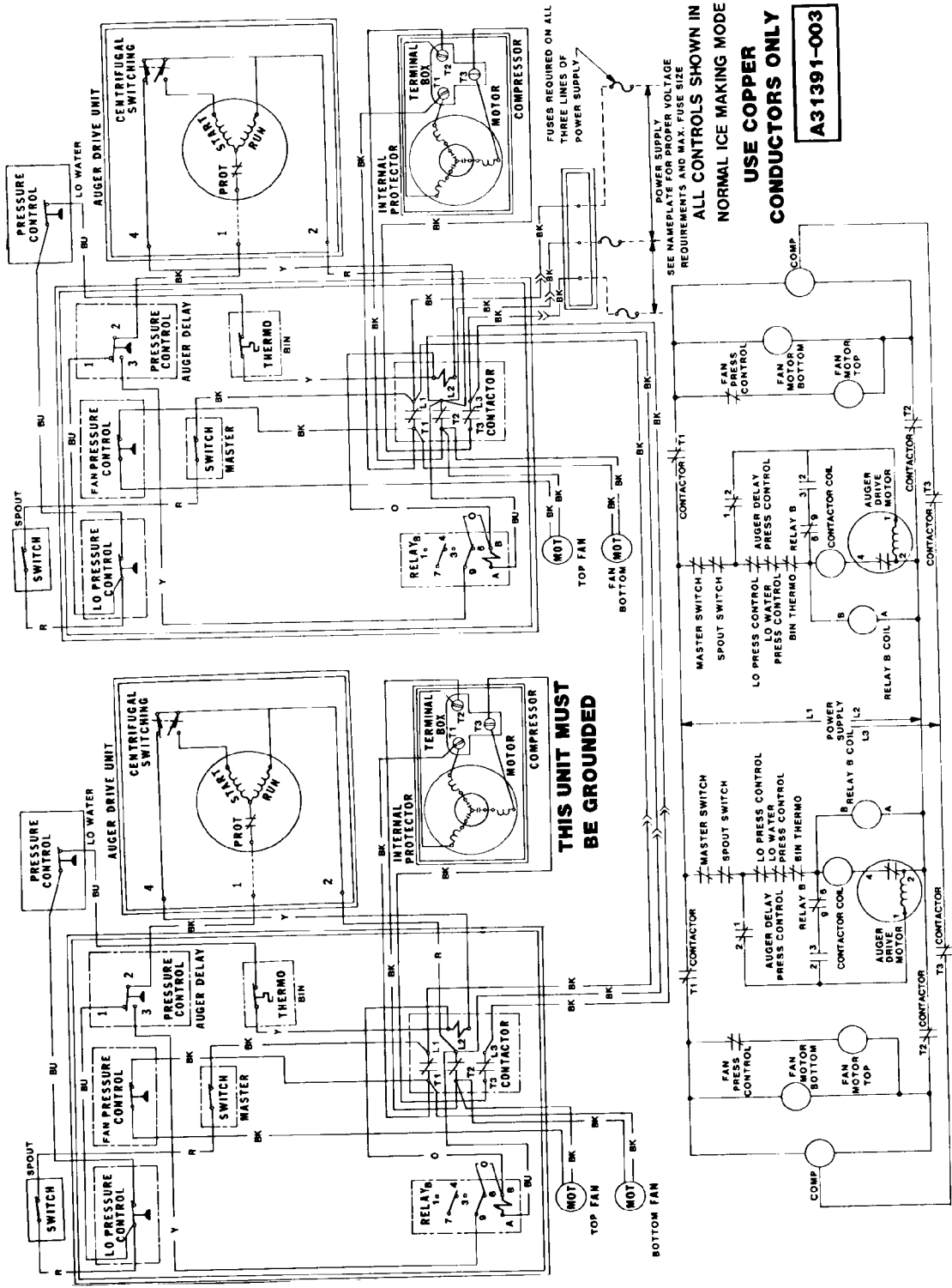
Air-Cooled Models 208/60/1 and 230/60/1

MF6C WIRING DIAGRAMS (WITH CONTACTOR ISOLATION RELAY)

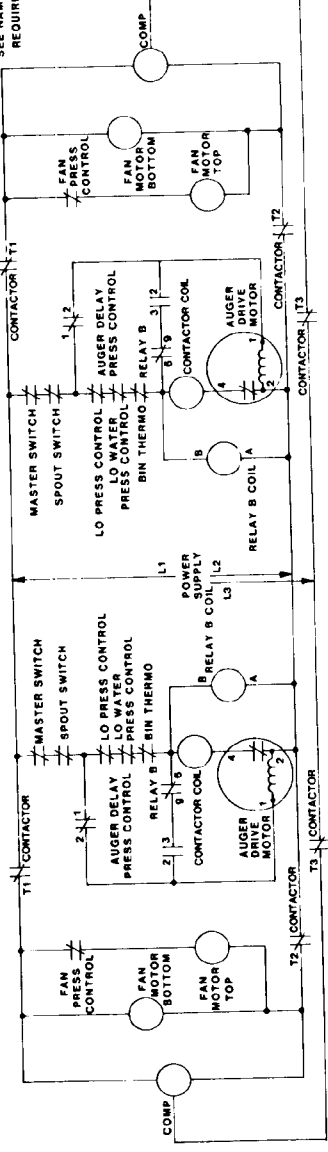


Water-Cooled Models 208/60/1 and 230/60/1

MF6C WIRING DIAGRAMS (WITH CONTACTOR ISOLATION RELAY)

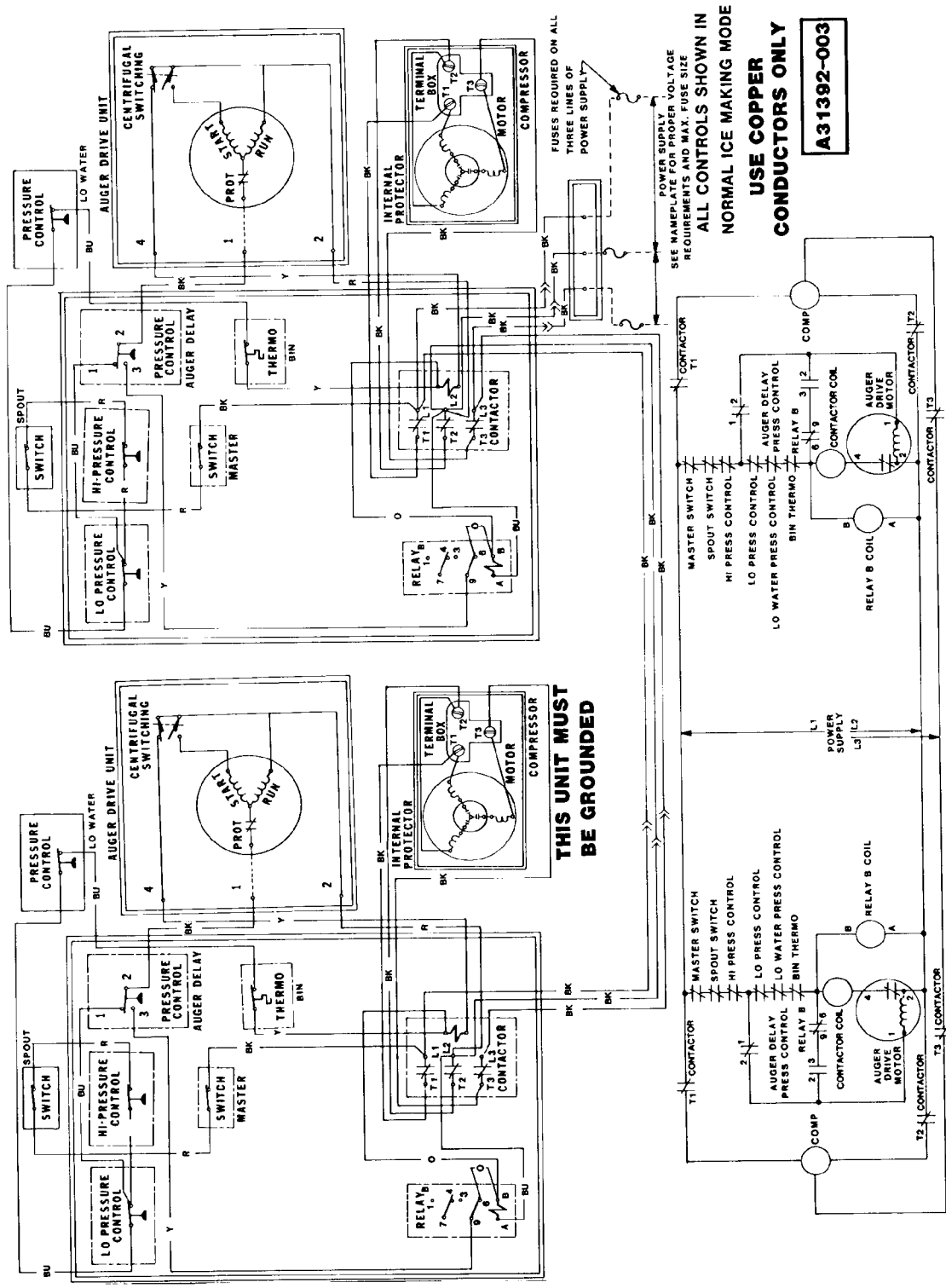


**USE COPPER
CONDUCTORS ONLY**
A31391-003



Air-Cooled Models 208-230/60/3

MF6C WIRING DIAGRAMS (WITH CONTACTOR ISOLATION RELAY)



**USE COPPER
CONDUCTORS ONLY**

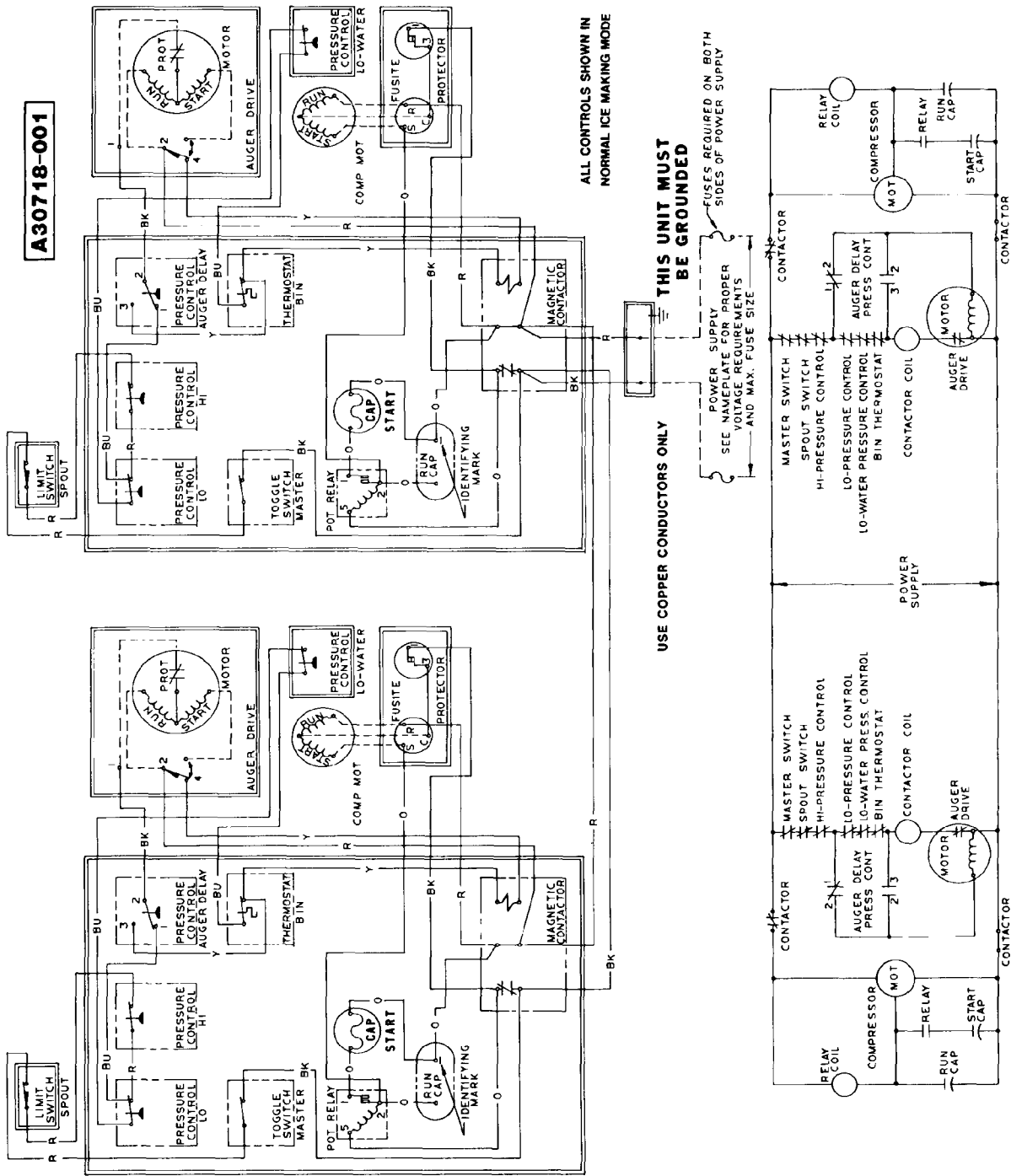
A31392-003

SEE NAMEPLATE FOR PROPER VOLTAGE
REQUIREMENTS AND MAX. FUSE SIZE

**ALL CONTROLS SHOWN IN
NORMAL ICE MAKING MODE**

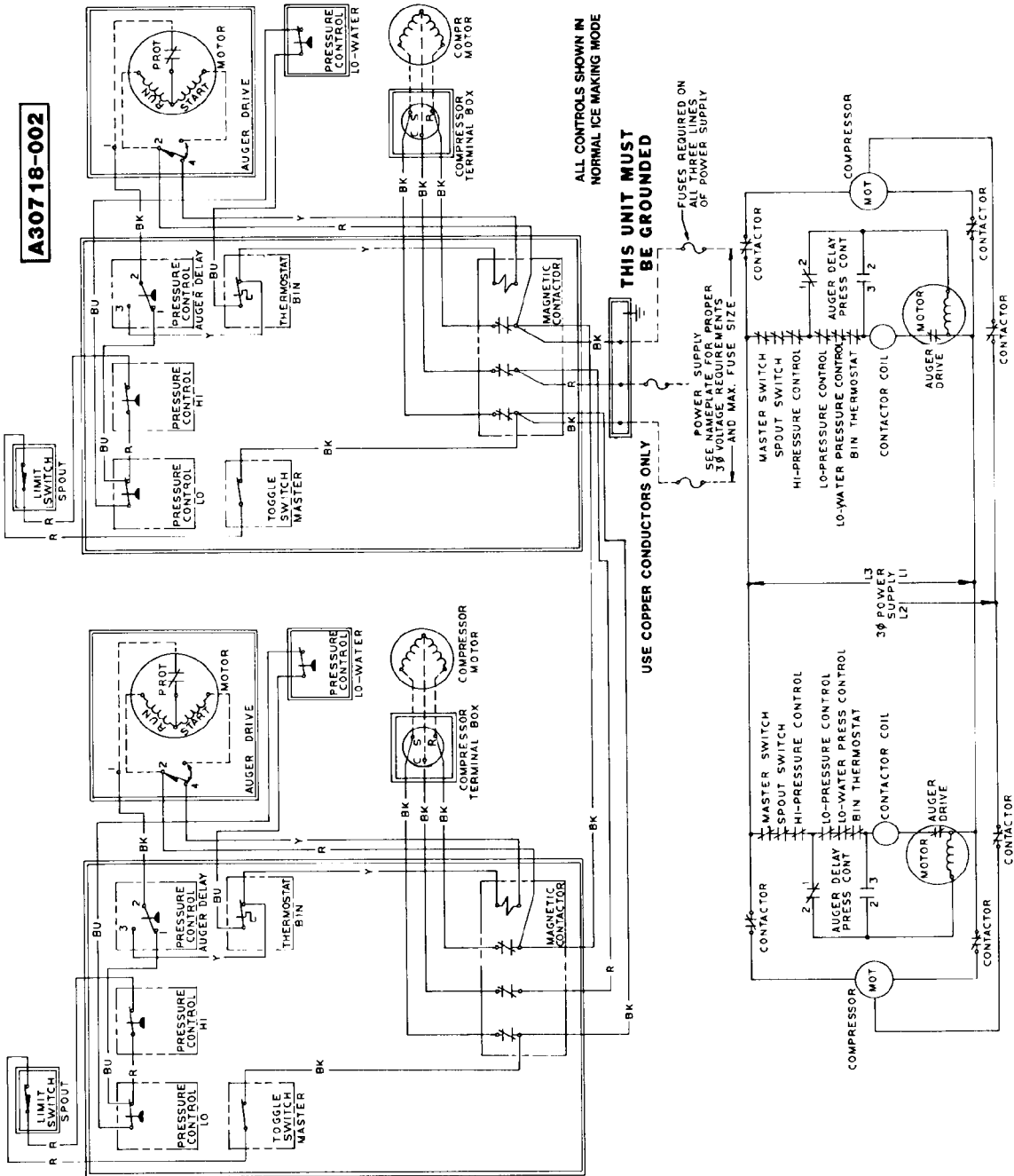
Water-Cooled Models 208-230/60/3

MF6C WIRING DIAGRAMS (WITHOUT CONTACTOR ISOLATION RELAY)



Water-Cooled Models 230/60/1 and 208/60/1

MF6C WIRING DIAGRAMS (WITHOUT CONTACTOR ISOLATION RELAY)



Water-Cooled Models 208-230/60/3