

MF700 Parts List

Table of Contents

Cabinet

Major Assemblies

Compressor

Spout

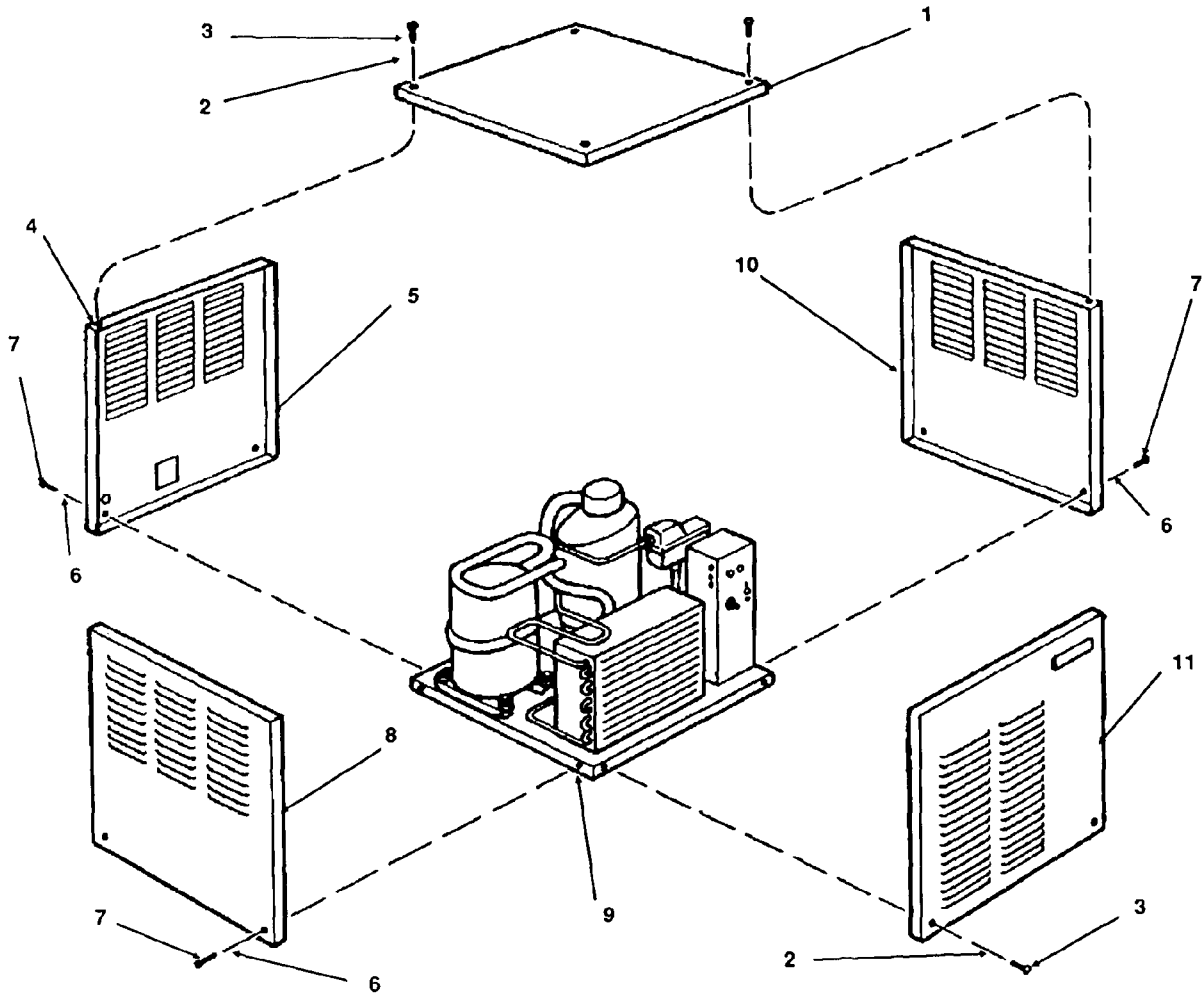
Evaporator

Gear motor

Control Box

Wiring Diagrams

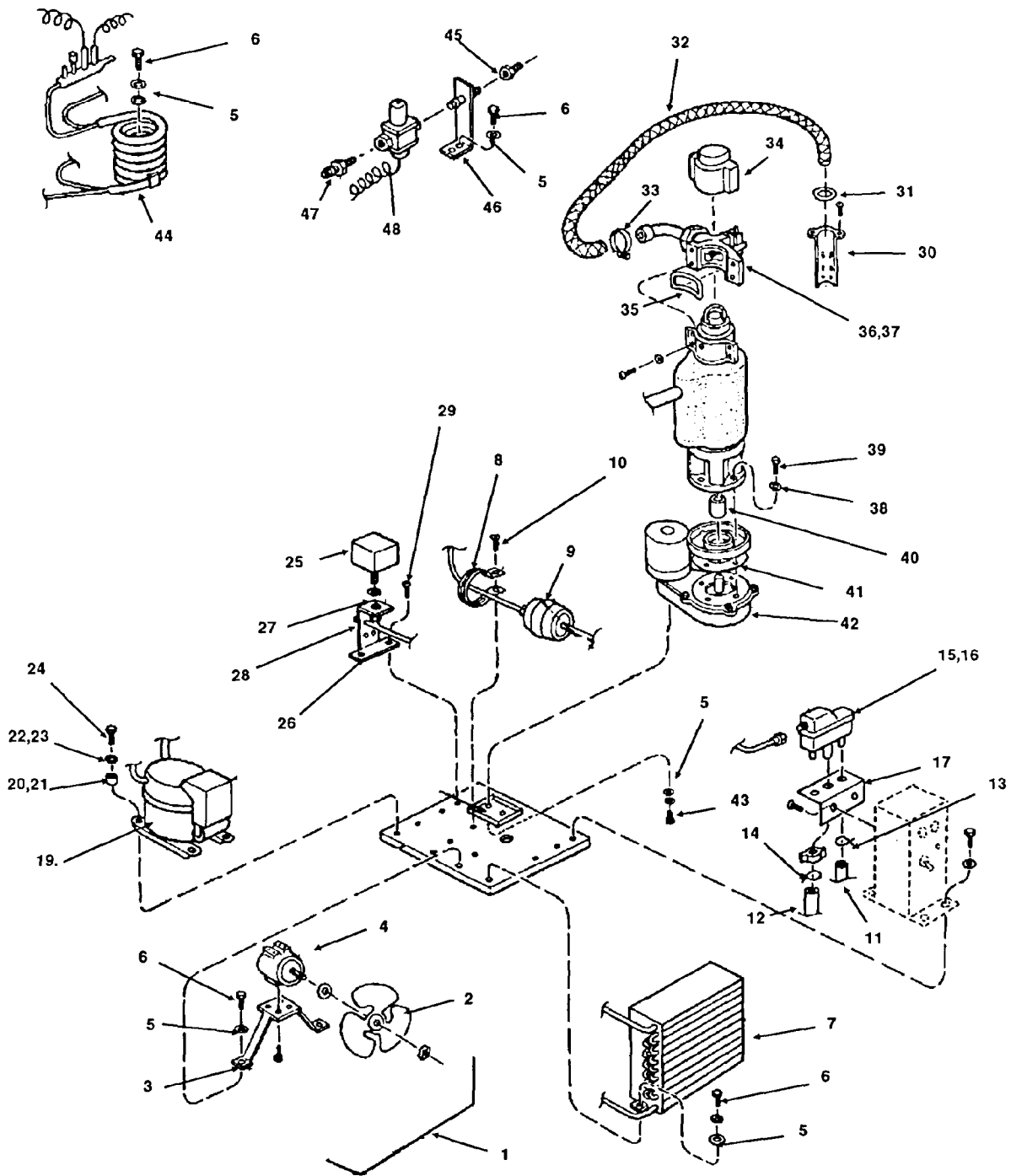
MF700 SERVICE PARTS PANELS



ITEM NUMBER	PART NUMBER	DESCRIPTION	ITEM NUMBER	PART NUMBER	DESCRIPTION
1.	A26625-004	Top Panel, Painted	8.	A26623-004	L.Side Panel, Paint
	A26625-002	Top Panel, Stainless		A26623-002	L. Side Panel, S.S.
2.	03-1417-15	Lockwasher	9.	03-1507-00	Speed Nut
3.	03-1419-19	Screw	10.	A26624-004	Rt Side Pnl, Paint
4.	03-1423-06	Speed Nut		A26624-002	Right Side Pnl,S.S.
5.	A28048-003	Rear Panel, Painted	11.	A26621-004	Front Panel, Painted
	A28048-002	Rear Panel, S. S.		A26621-002	Front Panel, S.s.
6.	03-1417-03	Lockwasher			
7.	03-1404-09	Screw			

MF700 SERVICE PARTS

MAJOR ASSEMBLIES

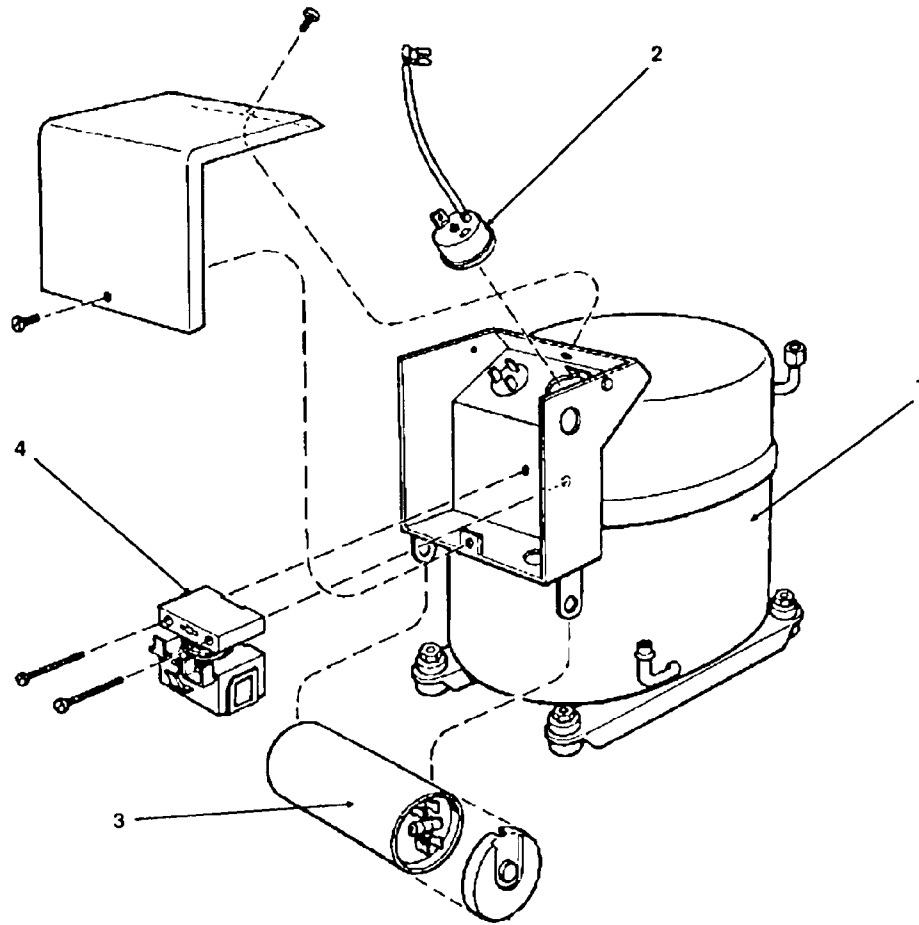


MF700 SERVICE PARTS

MAJOR ASSEMBLIES

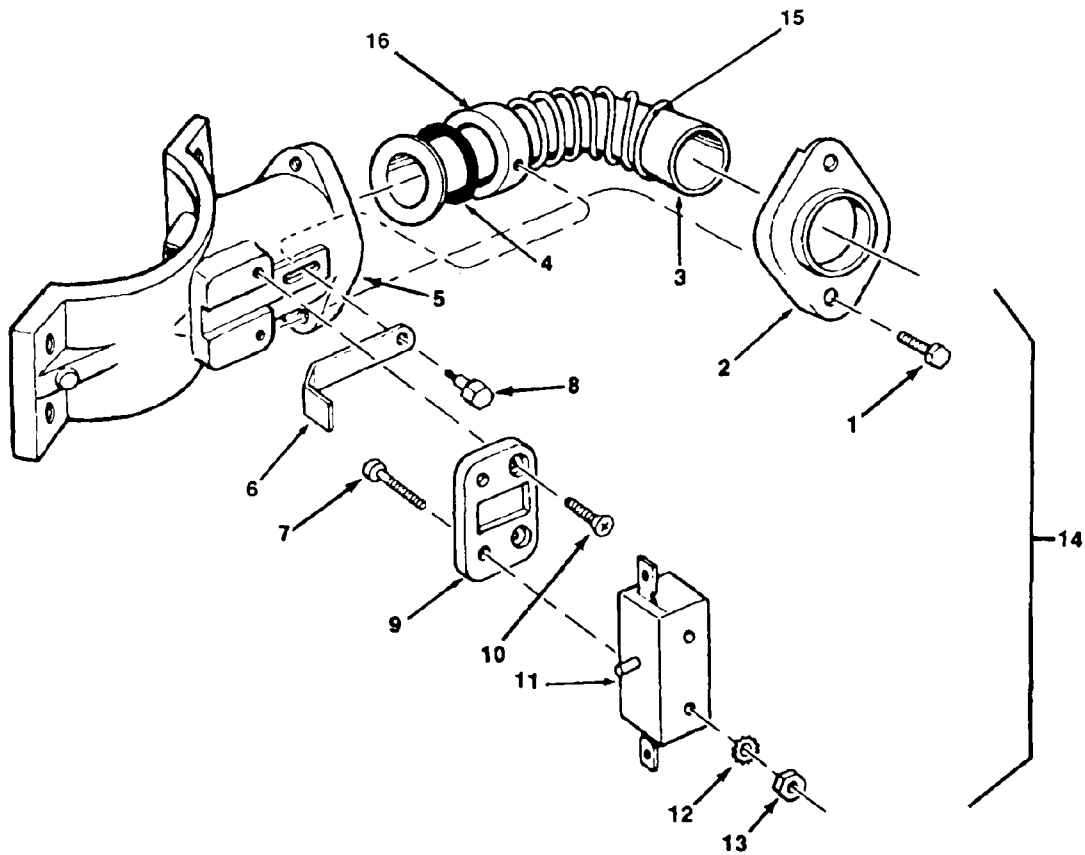
ITEM NUMBER	PART NUMBER	DESCRIPTION
1.	no number	Fan Motor Assembly
2.	18-0625-00	Fan Blade
3.	A25548-001	Fan Bracket
4.	18-0559-01	Fan Motor
5.	03-1417-09	Lockwasher
6.	03-0571-00	Screw
7.	18-0396-01	Air Cooled Condenser
8.	A09388-000	Drier Brace
9.	02-0544-01	Drier
10.	03-1360-01	Screw
11.	13-0079-03	Tube, Res. overflow
12.	13-0674-09	Tube, Res. To Evaporator
13.	02-0535-00	Clamp
14.	03-0694-00	Clamp
15.	02-2217-01	Reservoir, Includes Valve
16.	02-2217-02	Valve In Reservoir Only
17.	A20959-000	Mounting Bracket
18.	03-1572-01	Screw
19.	18-3900-01	Compressor
20.	18-2200-28	Grommet
21.	18-2200-27	Mounting Sleeve
22.	03-1417-12	Lockwasher
23.	03-1408-24	Special Washer
24.	03-1405-40	Screw
25.	11-0296-00	Water Pressure Switch
26.	A27993-001	Bracket
27.	13-0617-26	O-ring
28.	03-1394-00	Pal Nut
29.	03-1360-01	Screw
30.	A30487-001	Bin Thermo. Bracket
31.	13-0806-01	Sealing Pad
32.	A26537-004	Ice Tube
33.	02-0179-02	Hose Clamp
34.	13-0809-01	Freezer Cap
35.	02-1437-00	Spout Gasket
36.	03-1417-07	Washer
37.	03-1544-03	Screw
38.	03-1417-12	Lockwasher
39.	03-1420-04	Screw
40.	15-0573-01	Coupling
41.	13-0704-00	Gasket
42.	A32402-021	Gearmotor Assembly
43.	03-1405-03	Screw
44.	18-3305-02	Water Cooled Condenser
45.	16-0677-01	Half Union

MF700 SERVICE PARTS COMPRESSOR



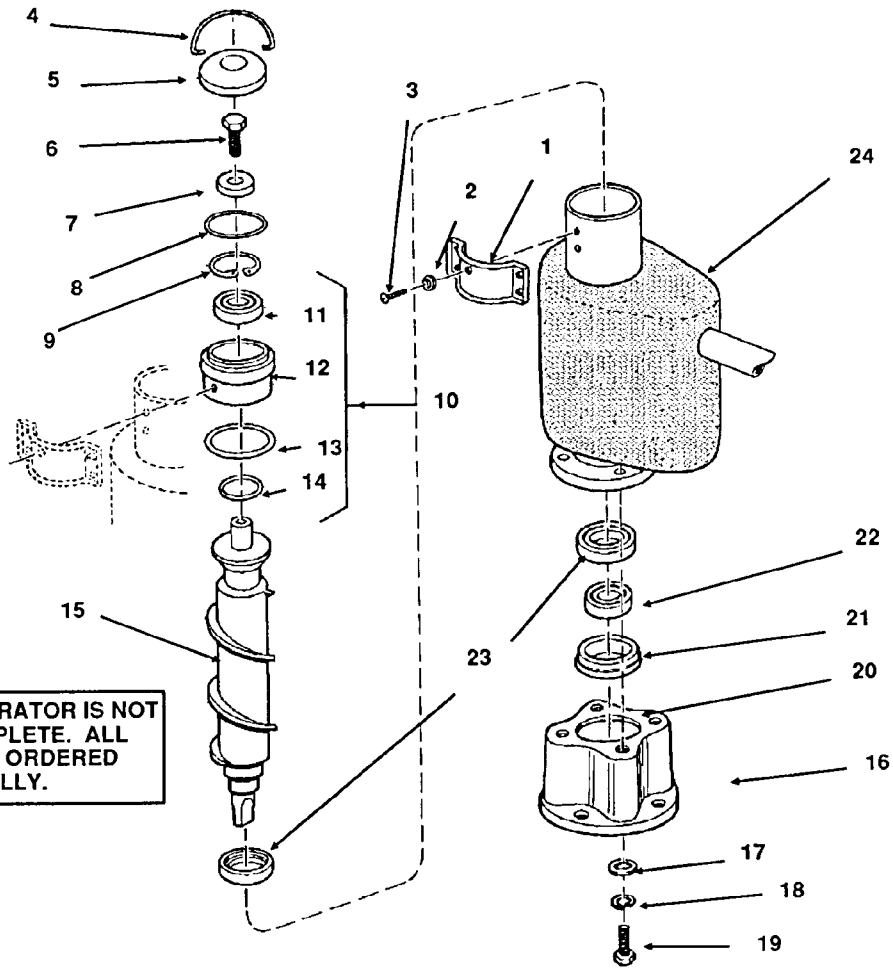
ITEM NUMBER	PART NUMBER	DESCRIPTION
1.	18-3900-01	Compressor, Includes Items 2, 3, & 4.
2.	18-2400-25	Overload
3.	18-2420-00	Capacitor
4.	18-2410-00	Relay

MF700 SERVICE PARTS SPOUT



ITEM NUMBER	PART NUMBER	DESCRIPTION
1.	03-1405-02	Screw
2.	A29041-001	Retainer Plate
3.	02-2490-01	Discharge Tube
4.	13-0617-43	O-ring
5.	A29050-001	Spout Casting
6.	A29429-002	Switch Actuator
7.	03-1418-38	Screw
8.	A25305-001	Shoulder Screw
9.	02-2377-01	Thermal Barrier
10.	03-1418-01	Screw
11.	12-1644-00	Switch
12.	03-1417-01	Lockwasher
13.	03-1406-01	Nut
14.	A29430-020	Spout Assembly
15.	02-2145-04	Spring
16.	A29098-001	Collar

MF700 SERVICE PARTS EVAPORATOR



*NOTE: THE EVPAORATOR IS NOT AVAILABLE COMPLETE. ALL PARTS MUST BE ORDERED INDIVIDUALLY.

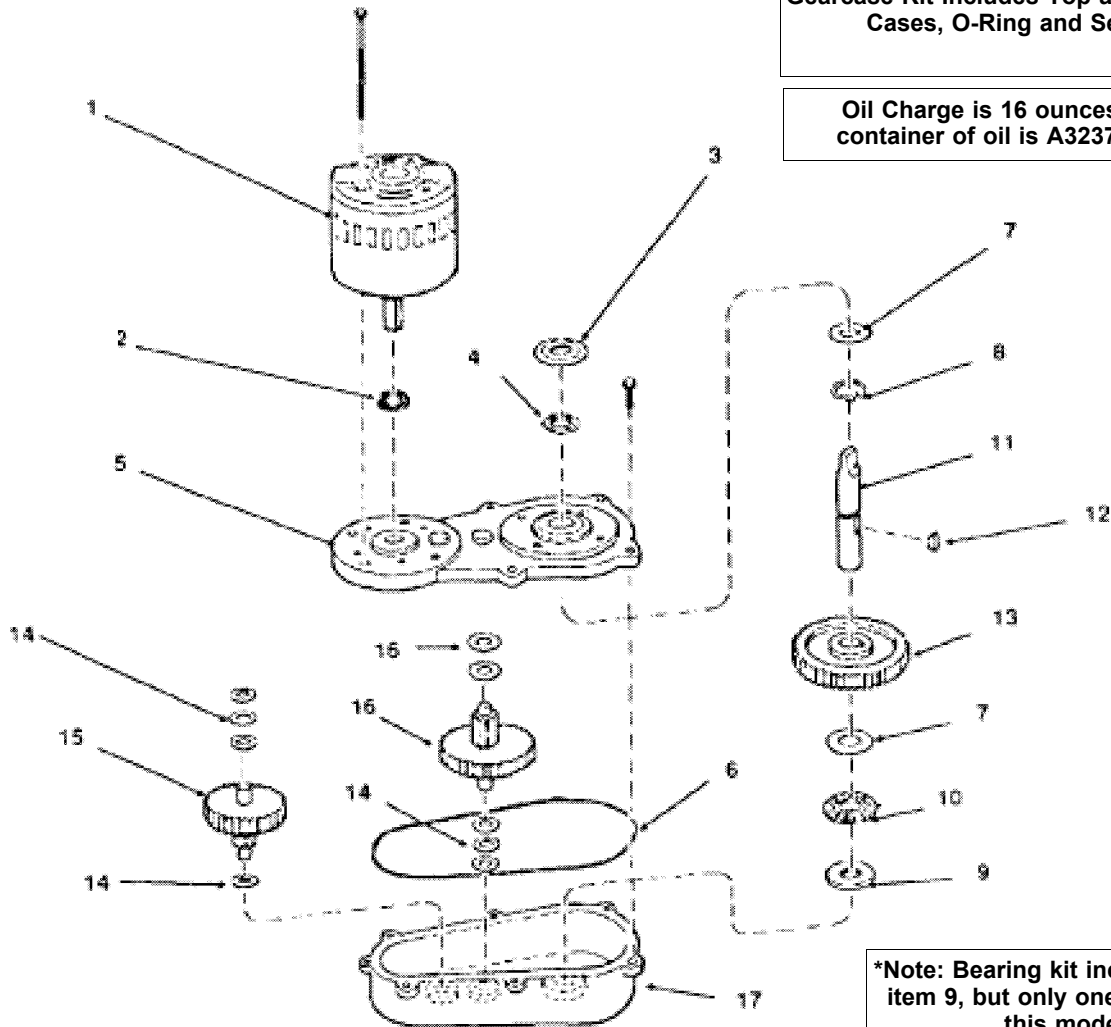
ITEM NUMBER	PART NUMBER	DESCRIPTION	ITEM NUMBER	PART NUMBER	DESCRIPTION
1.	A24928-001	Spout Plate	13.	13-0617-15	O-ring
2.	03-1409-20	Washer	14.	13-0617-40	O-ring
3.	03-1506-03	Screw	15.	A29420-001	Auger
4.	A08582-000	Hook	16.	02-1629-00	Adaptor
5.	A08581-000	Cap	17.	03-1408-03	Washer
6.	03-1405-36	Screw	18.	03-1410-04	Lockwasher
7.	A06273-000	Washer	19.	03-1405-41	Screw
8.	13-0617-20	O-ring	20.	13-0704-00	Gasket
9.	03-1558-04	Ring	21.	A10591-000	Retainer
10.	A26708-001	Bearing Retainer, Includes 11-14	22.	02-0619-00	Lower Bearing
11.	02-0646-00	Top Bearing	23.	02-0929-01	Water Seal
12.	No Number	Retainer	24.	A29343-020	Evaporator*

MF700 SERVICE PARTS

GEARMOTOR

Gearcase Kit Includes Top and Bottom Cases, O-Ring and Seals

Oil Charge is 16 ounces. One container of oil is A32379-027.

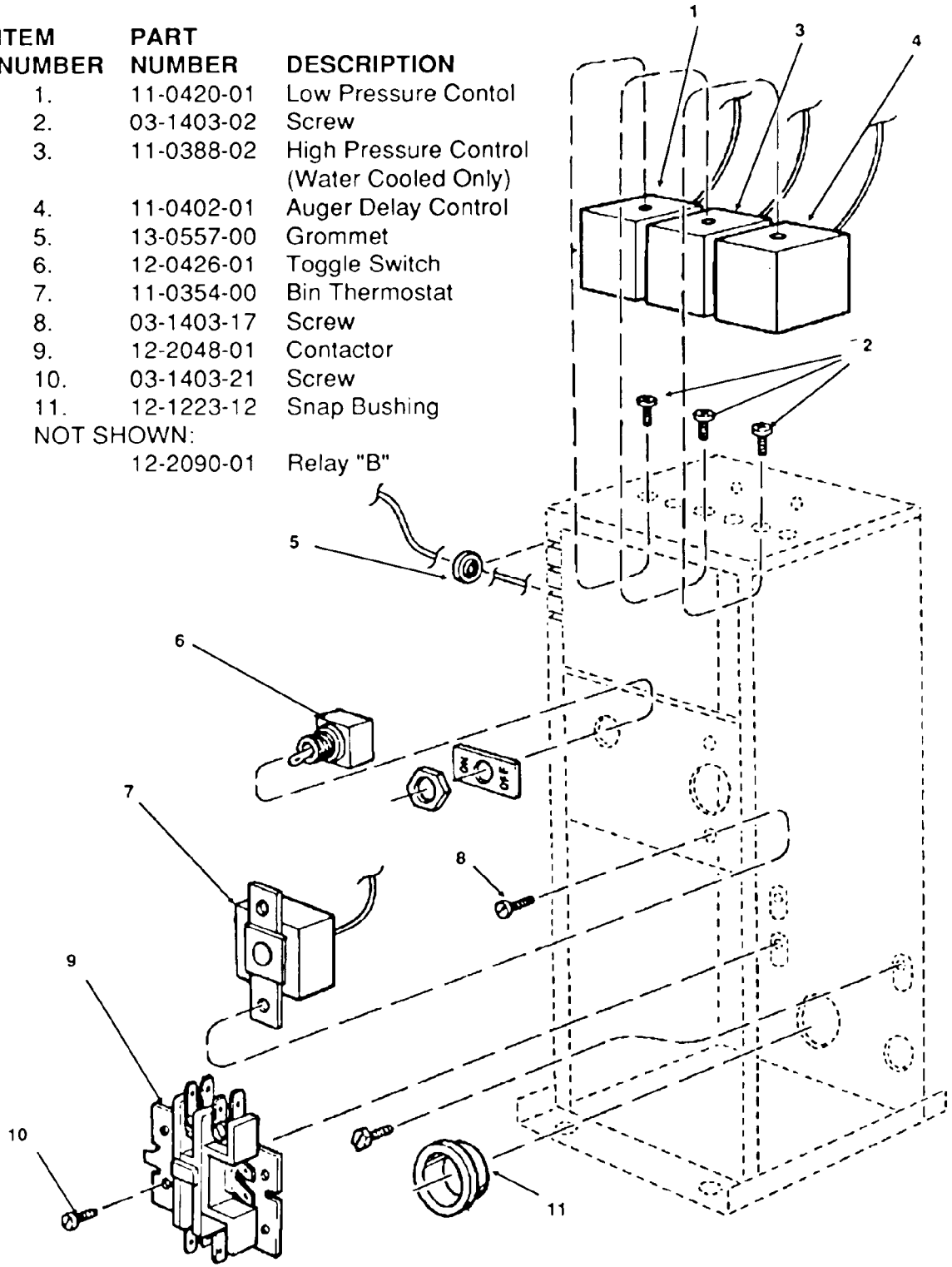


*Note: Bearing kit includes two of item 9, but only one is used for this model.

ITEM NUMBER	PART NUMBER	DESCRIPTION	ITEM NUMBER	PART NUMBER	DESCRIPTION
1	A32425-001	Drive motor, 115v	11	02-1652-00	Output shaft
2	02-2853-01	Oil seal	12	03-1364-00	Woodruff key
3	13-0709-02	Water shed	13	02-1653-00	Output gear
4	02-1607-00	Oil seal	14	03-1408-24	Washer
5	A31230-001	Gear case kit (cover and case)	15	02-2072-00	First gear & 2nd pinion
6	A26103-001	O-ring	16	02-2071-00	2nd gear and 3rd pinion
7	02-1681-00	Thrust race	17	A31230-001	Gear case kit
8	03-1393-01	Retaining ring	18	03-1252-01	Screw
9	02-1679-00	Thrust race	19	A32402-021	Complete gear and motor assembly
10	A32368-020	Bearing kit*			

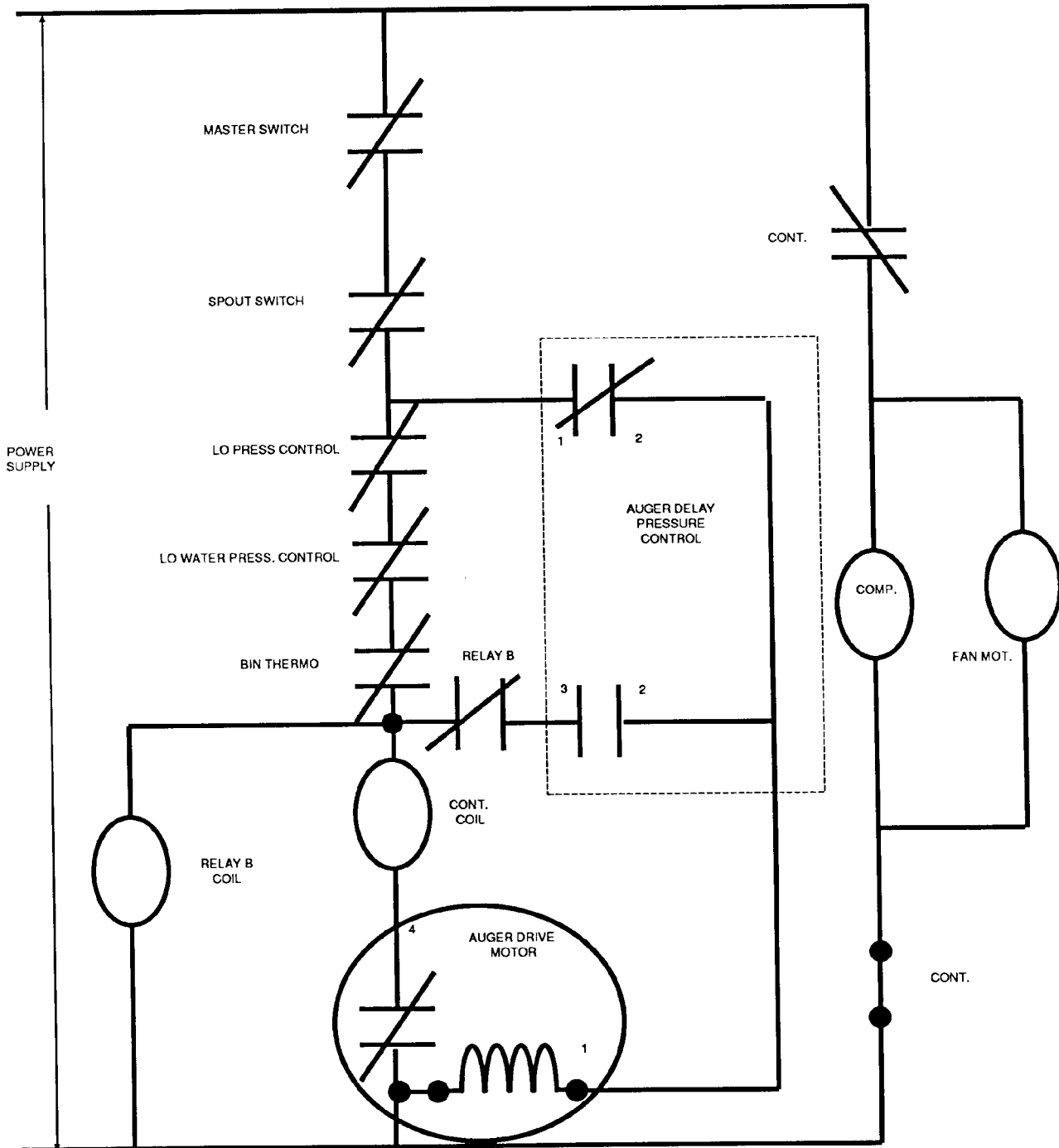
MF700 SERVICE PARTS CONTROL BOX

ITEM NUMBER	PART NUMBER	DESCRIPTION
1.	11-0420-01	Low Pressure Control
2.	03-1403-02	Screw
3.	11-0388-02	High Pressure Control (Water Cooled Only)
4.	11-0402-01	Auger Delay Control
5.	13-0557-00	Grommet
6.	12-0426-01	Toggle Switch
7.	11-0354-00	Bin Thermostat
8.	03-1403-17	Screw
9.	12-2048-01	Contactors
10.	03-1403-21	Screw
11.	12-1223-12	Snap Bushing
NOT SHOWN:		
	12-2090-01	Relay "B"



MF700 SCHEMATIC DIAGRAM

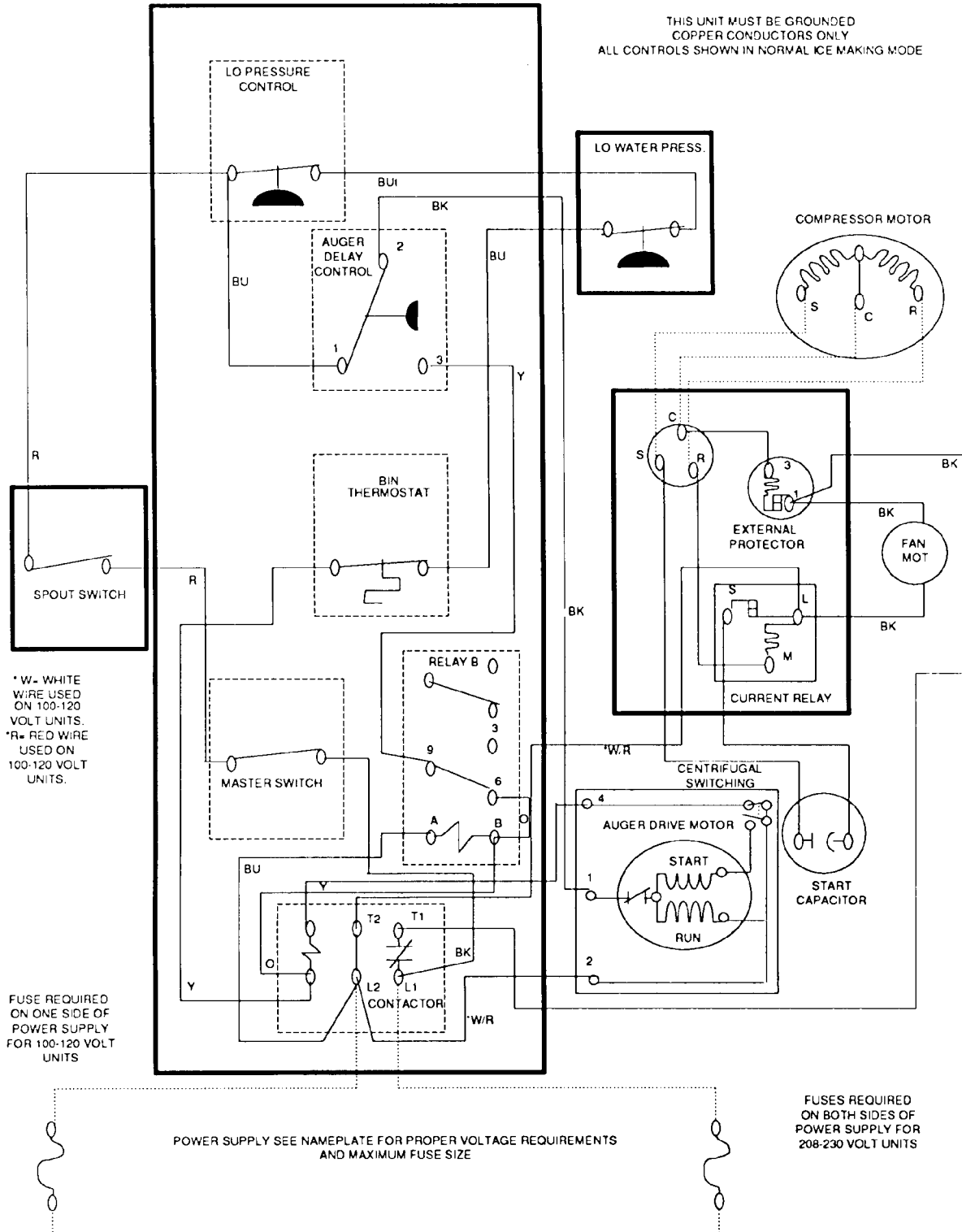
AIR COOLED



MF700 COMPONENT LAYOUT WIRING DIAGRAM

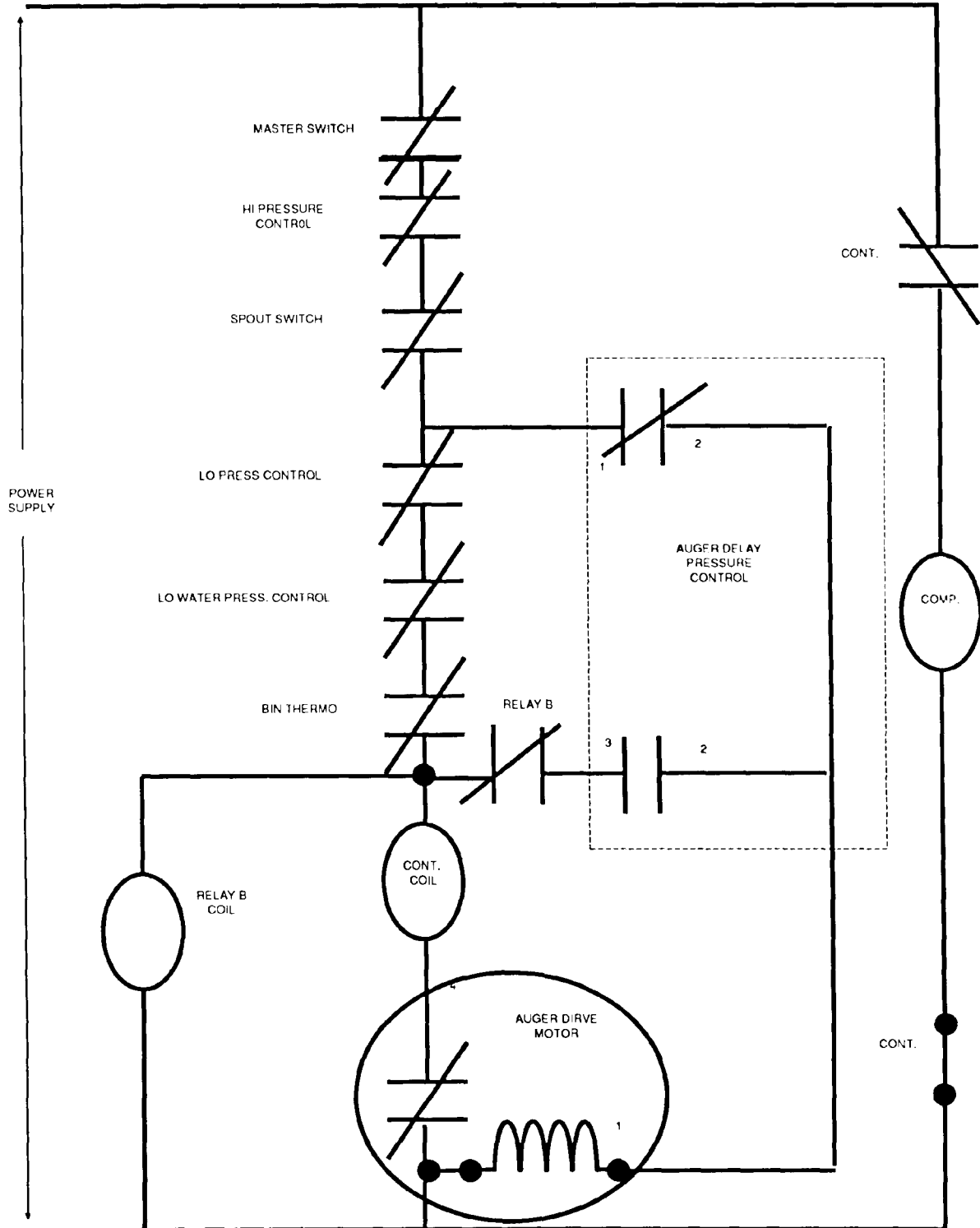
AIR COOLED

THIS UNIT MUST BE GROUNDED
COPPER CONDUCTORS ONLY
ALL CONTROLS SHOWN IN NORMAL ICE MAKING MODE



MF700 SCHEMATIC DIAGRAM

WATER COOLED



MF700 COMPONENT LAYOUT WIRING DIAGRAM WATER COOLED

