

MF900RC Parts List

Table of Contents

Cabinet

Refrigeration

Water System

Gear Motor

Evaporator

Spout

Remote condenser

Control Box

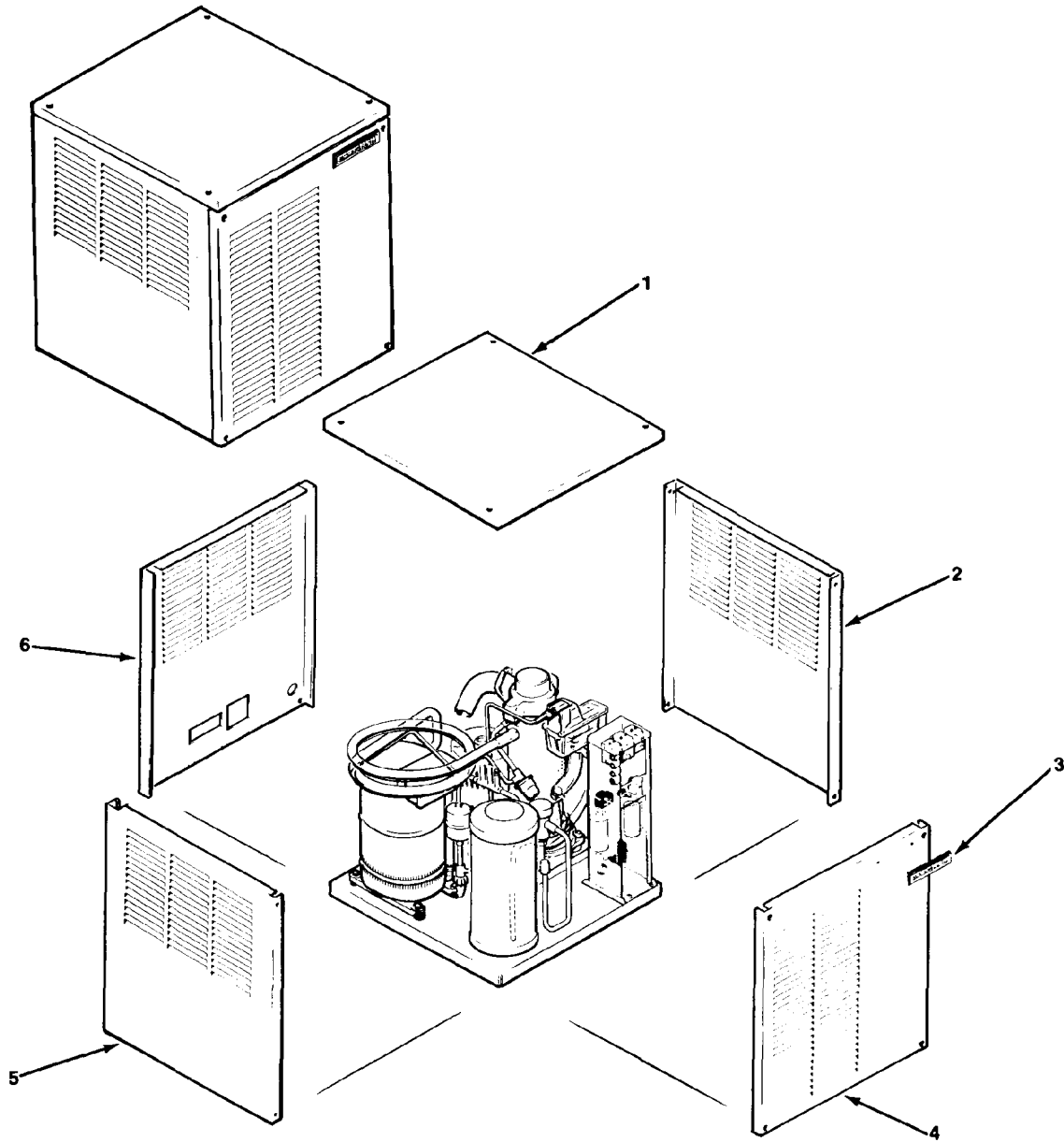
Wiring Diagrams

MF900RC
PARTS ILLUSTRATIONS AND PARTS LISTS

CABINET ASSEMBLY

ITEM NUMBER	PART NUMBER	DESCRIPTION
1	A26625-003	Top Panel, Enamel
	A26625-002	Top Panel, Stainless Steel
	Attaching Parts	
	03-1423-06	(6) Speed Nut
	03-1419-22	(6) Screws #8 x 1" Stainless Steel
	03-1417-15	(6) Lockwasher #5
2	A26866-003	Right Side Panel, Enamel
	A26866-002	Right Side Panel, Stainless Steel
	Attaching Parts	
	03-1404-09	(2) Screw #8 x 1/2
	03-1507-00	(2) Speed Nut
	03-1417-03	(2) Lockwasher #8
3	15-0718-01	Scotsman Emblem
4	A26865-003	Front Panel, Enamel
	A26865-002	Front Panel, Stainless Steel
	Attaching Parts	
	03-1423-06	(4) Speed Nut
	03-1419-22	(4) Screw #8 x 1" Stainless Steel
	03-1417-15	(4) Lockwasher #8
5	A26864-003	Left Side Panel, Enamel
	A26864-002	Left Side Panel, Stainless Steel
	Attaching Parts	
	03-1404-09	(2) Screw #8 x 1/2
	03-1507-00	(2) Speed Nut
	03-1417-03	(2) Lockwasher #8
6	A30796-001	Rear Panel, Enamel
	A30796-002	Rear Panel, Stainless Steel
	Attaching Parts	
	03-1404-09	(2) Screw #8 x 1/2
	03-1417-03	(2) Lockwasher #8

MF900RC
PARTS ILLUSTRATIONS AND PARTS LISTS

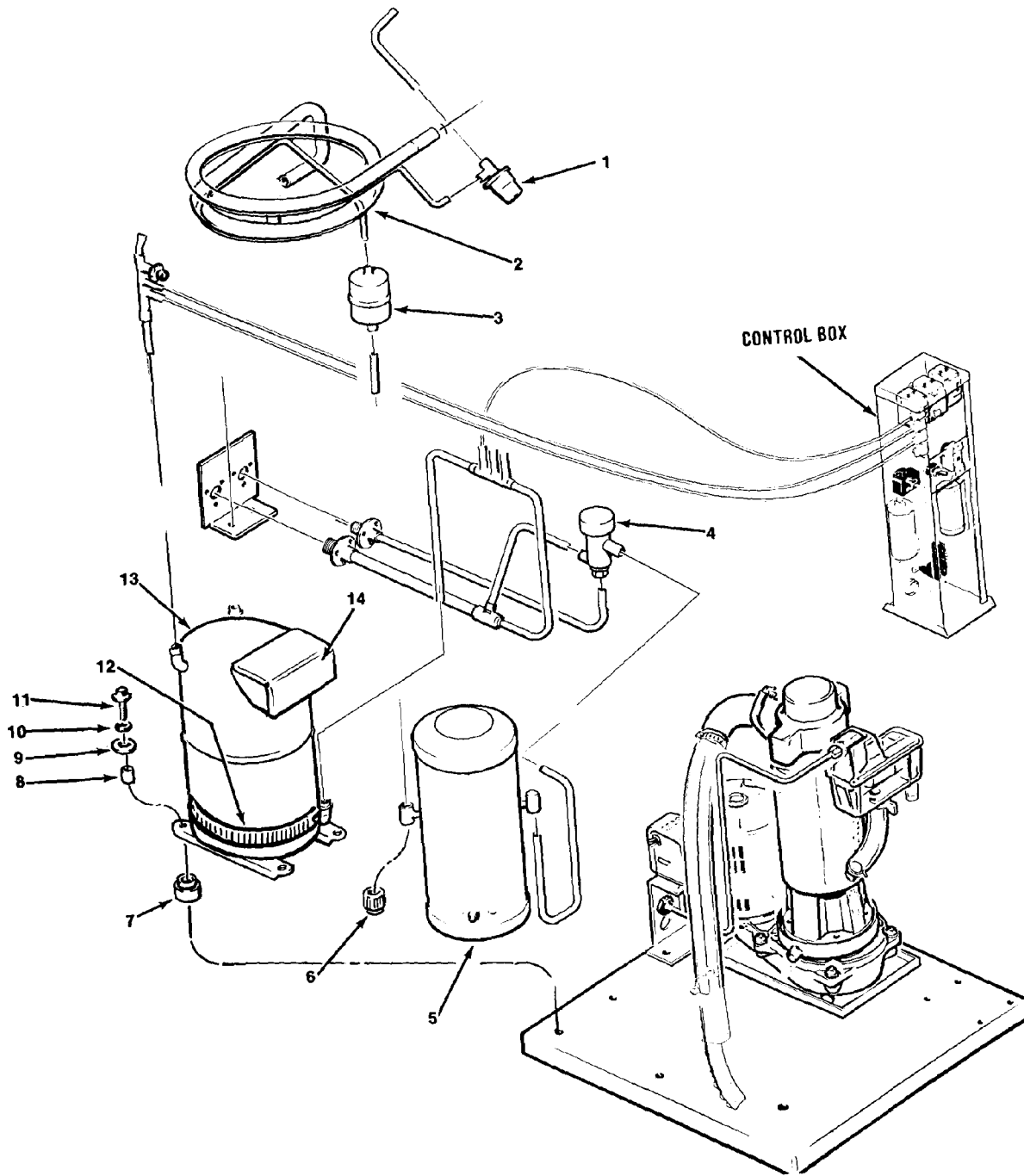


MF900RC
PARTS ILLUSTRATIONS AND PARTS LISTS

REFRIGERATION SYSTEM

ITEM NUMBER	PART NUMBER	DESCRIPTION
1	11-0416-01	Expansion Valve
2	<i>No Number</i>	Heat Exchanger Assembly (Comes with Freezer)
3	02-0544-01	Drier
4	11-0422-01	Head Pressure Regulator
5	16-0768-01	Receiver
	Attaching Parts	
	03-1410-05	Lockwasher 3/8
	03-1406-12	Nut 3/8-16
6	<i>No Number</i>	King Valve
7	18-2300-27	Grommet
8	18-2300-26	Sleeve
9	03-1408-29	Washer
10	03-1417-12	Lockwasher 5/16
11	03-1405-40	Screw 5/16-18 x 1-3/4
12	12-1868-02	Crankcase Heater
13	18-3800-02	Compressor 230/60/1
	18-3800-03	Compressor 208/220/3
	18-3800-07	Compressor 208/60/1
14	18-2300-25	Overload 230/60/1
	18-2300-32	Overload 208/60/1

MF900RC PARTS ILLUSTRATIONS AND PARTS LISTS

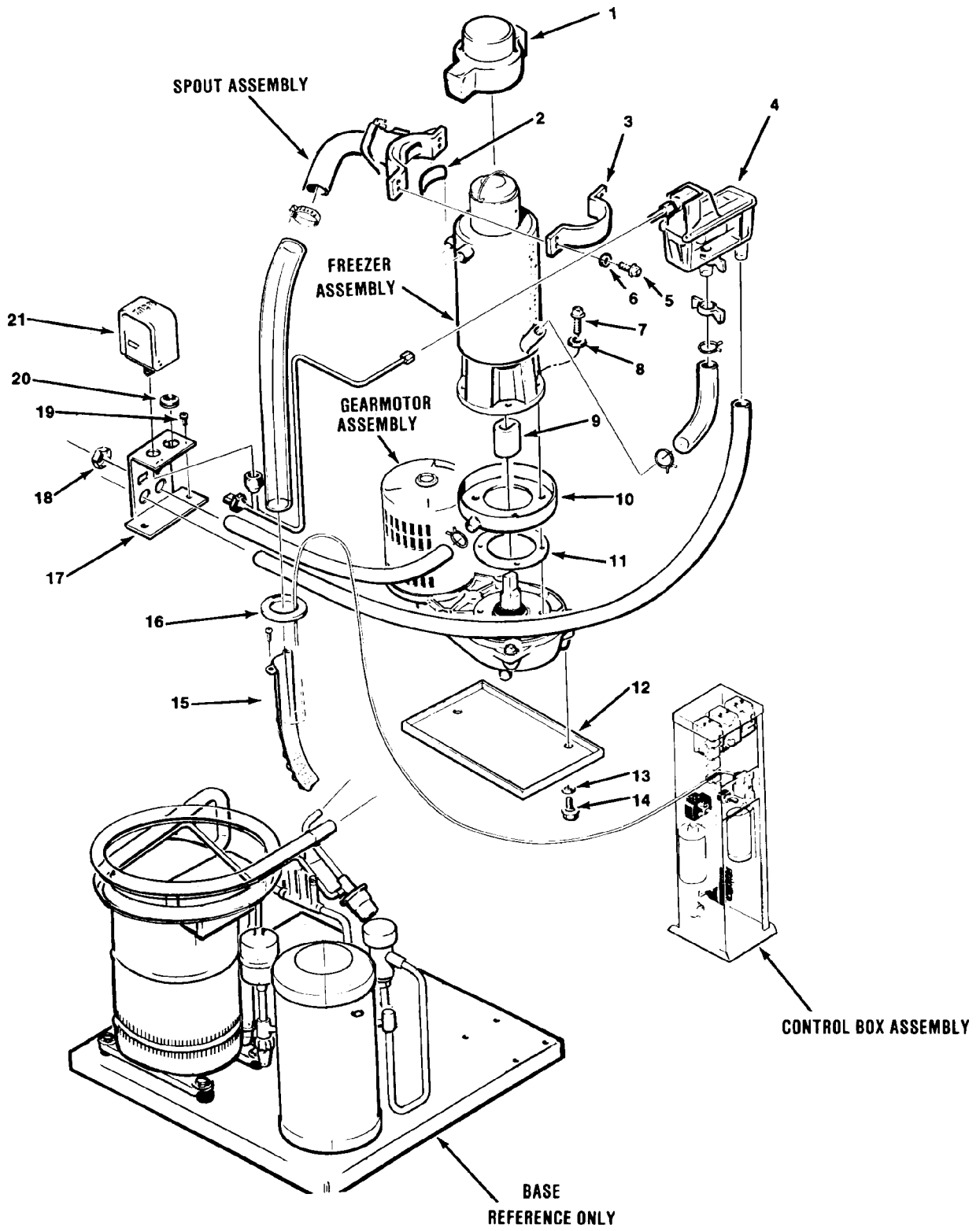


MF900RC
PARTS ILLUSTRATIONS AND PARTS LISTS

WATER SYSTEM

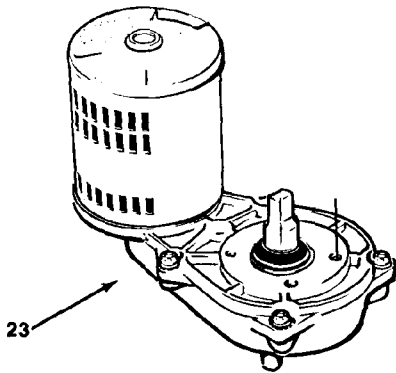
ITEM NUMBER	PART NUMBER	DESCRIPTION
1	13-0809-01	Freezer Cap
2	02-1437-00	Spout Gasket
3	A24928-001	Spout Plate
4	02-2217-01	Reservoir
5	03-1544-03	Screw, 1/4-20 x 1
6	03-1417-07	Lockwasher, 1/4
7	03-1420-01	Screw, 5/16-18 x 7/8 S.S.
8	03-1420-03	Screw, 5/16-18 x 1-1/4 S.S.
9	15-0573-01	Coupling
10	A21290-000	Drip Pan
11	13-0704-00	Gasket
12	A28207-001	Motor Plate
13	03-1410-04	Lockwasher, 5/16
14	03-1408-35	Washer
	03-1420-03	Screw, 5/16-18 x 1-1/4 S.S.
15	A30487-001	Bin Thermo Bracket
16	13-0806-01	Sealing Pad
17	A27993-001	Utility Bracket
18	03-1394-00	Pal Nut
19	03-1360-00	Screw, #10-16 x 3/4
20	12-1213-10	Snap Bushing
21	11-0296-00	Lo Pressure Control (Water)

MF900RC
PARTS ILLUSTRATIONS AND PARTS LISTS



MF900RC

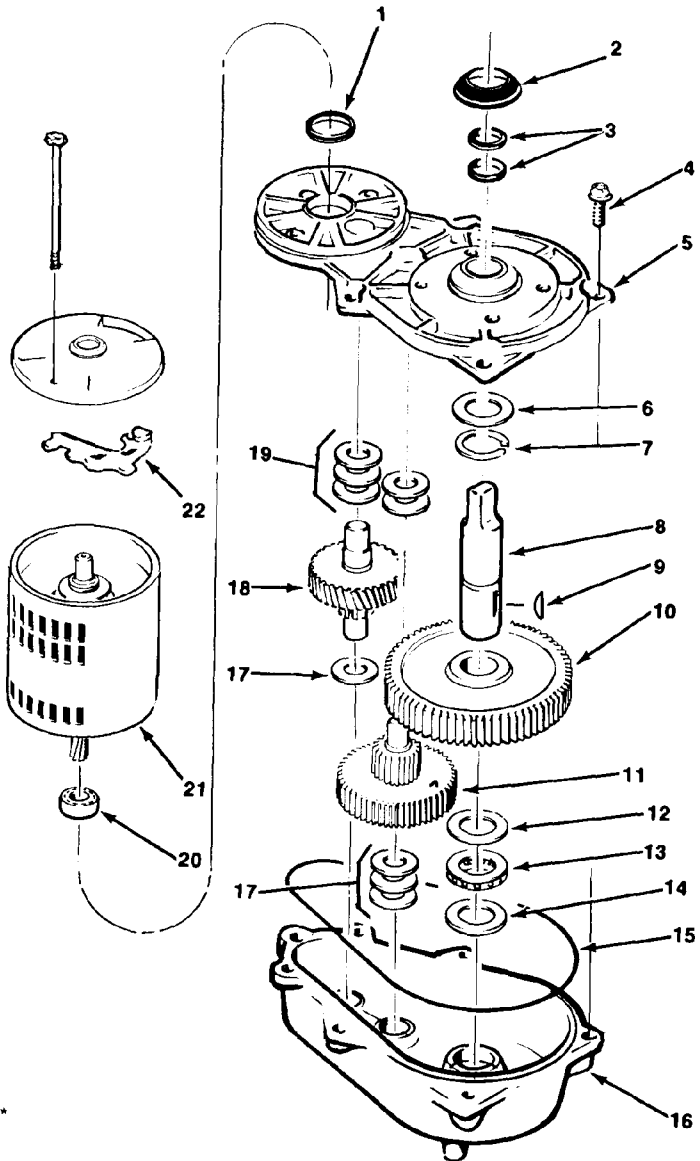
PARTS ILLUSTRATIONS AND PARTS LISTS



*NOTE: Torque cover mounting screws 250-300 inch pounds.

DRIVE MOTOR ASSEMBLY

ITEM NUMBER	PART NUMBER	DESCRIPTION
1	02-1606-00	Oil Seal
2	13-0709-02	Water Shed
3	02-1607-01	Oil Seal
4	03-1251-01	Screw
5	A31230-001	Gear Case Cover Assembly*
6	02-1681-00	Thrust Race
7	03-1363-00	Retaining Ring
8	02-1652-00	Shaft, Output
9	03-1364-00	Key
10	02-1653-00	Gear, Output
11	02-2071-00	Third Pinion Assembly, Second Gear and
12	02-1681-00	Thrust Race
13	02-1680-00	Bearing
14	02-1679-00	Thrust Race
15	A26103-001	"O" Ring
16	A31230-001	Gear Case Assembly Bottom*
17	03-1408-24	Washer
18	02-2072-00	Second Pinion Assembly, First Gear and
19	03-1408-24	Washer
20	12-1741-20	Bearing (Emerson)
	12-1741-24	Bearing (General Electric)
21	A26455-002	Drive Motor
22	12-1741-22	Switch, Start (Emerson)
	12-1741-28	Switch, Start (General Electric)
23	A24317-022	Gearmotor Assembly Complete (230 Volt)
24	A25835-001	Gearcase Oil (1) Pint

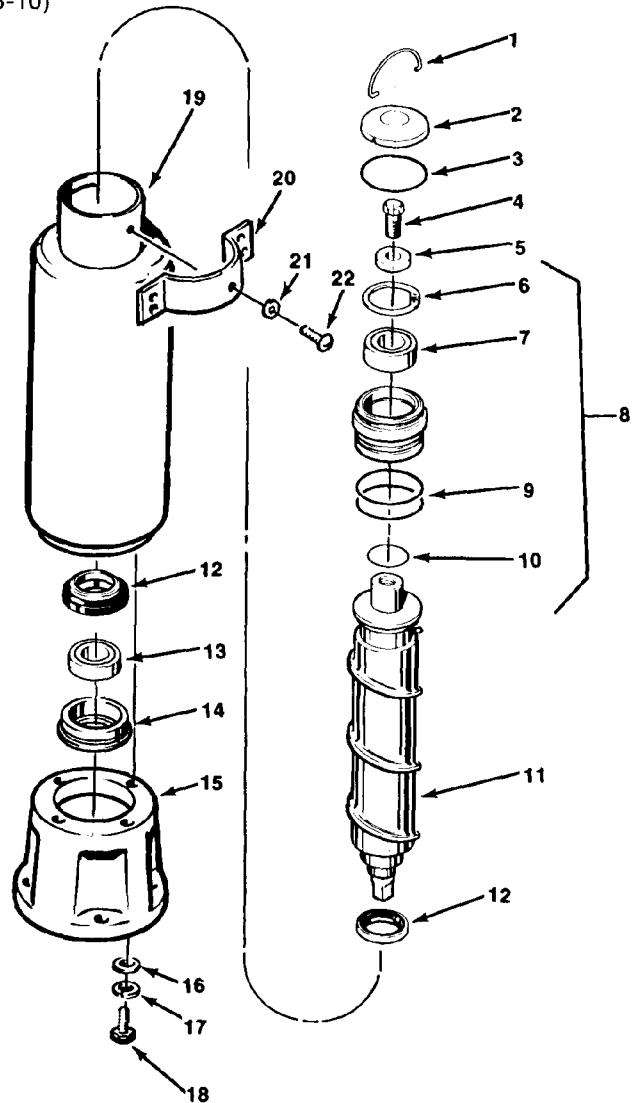


*NOTE: Gearcase cover and bottom are sold as a set only. Order Part Number A31230-001

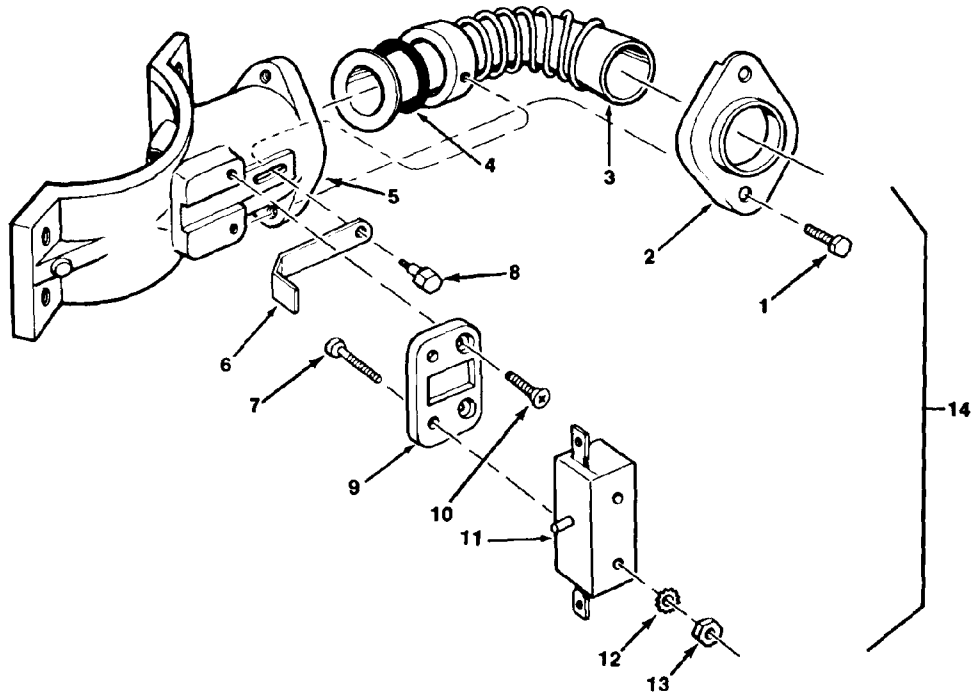
MF900RC
PARTS ILLUSTRATIONS AND PARTS LISTS

FREEZER ASSEMBLY

ITEM NUMBER	PART NUMBER	DESCRIPTION
1	A08582-000	Breaker Hook
2	A08581-000	Freezer Cap
3	13-0617-20	"O" Ring
4	03-1405-36	Screw
5	A06273-000	Washer
6	03-1558-04	Retainer Ring
7	02-0646-00	Bearing
8	A26708-001	Bearing Retainer (Includes Items 6-10)
9	13-0617-40	"O" Ring
10	13-0617-15	"O" Ring
11	A29467-001	Auger
12	02-0929-01	Water Seal
13	02-0619-00	Bearing
14	A10591-000	Bearing Retainer
15	02-1629-00	Adapter
16	03-1410-04	Washer
17	03-1408-03	Washer
18	03-1420-03	Screw
19	A29767-020	Freezer
20	A24928-001	Spout Plate
21	03-1409-20	Washer
22	03-1506-03	Screw



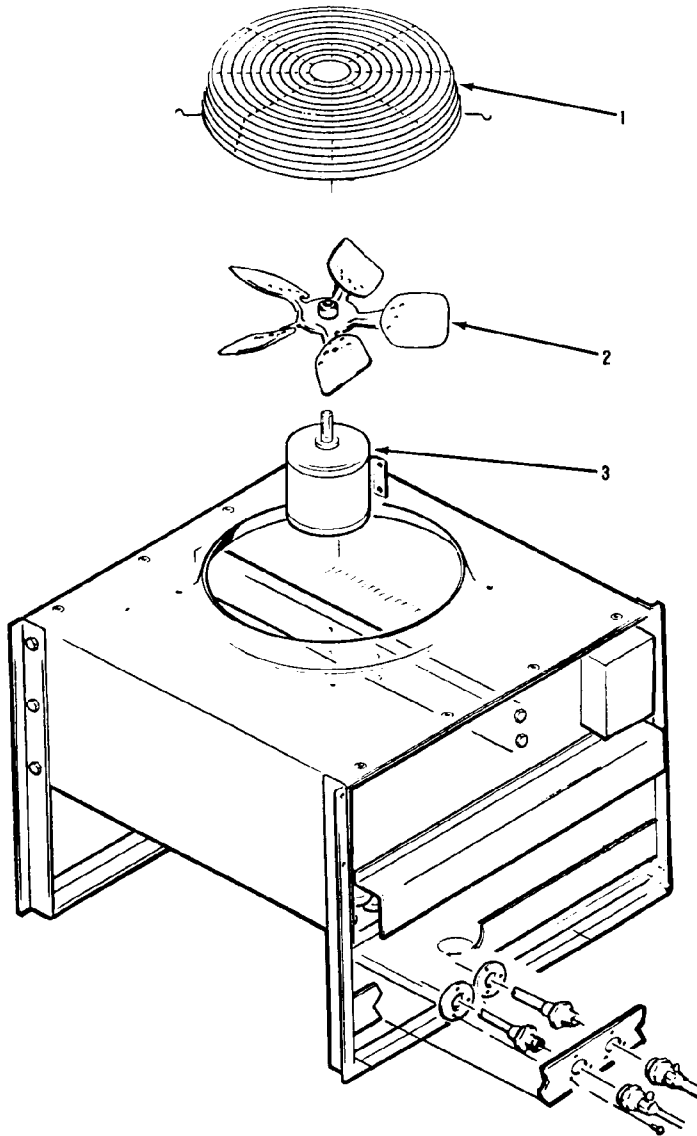
MF900RC
PARTS ILLUSTRATIONS AND PARTS LISTS



SPOUT ASSEMBLY

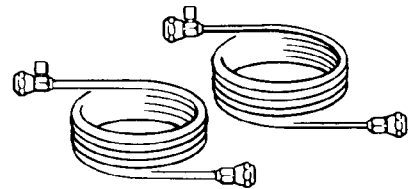
ITEM NUMBER	PART NUMBER	DESCRIPTION
1	03-1405-02	Screw 1/4-20 x 3/8 Hex Head Cap
2	A29041-001	Retainer Plate
3	02-2490-01	Tube, Ice Discharge
4	13-0617-43	"O" Ring
5	A29050-001	Spout
6	A29429-001	Actuator, Switch
7	03-1418-38	Screw No. 6-32 x 1 Flat Head Machine Phil Recess
8	A25305-001	Screw, Shoulder
9	02-2377-01	Barrier, Thermal
10	03-1418-01	Screw No. 6-32 x 3/8 Flat Head Machine - Phil Recess
11	12-1644-00	Switch
12	03-1417-01	Lockwasher No. 6 External Tooth Phosphor Bronze
13	03-1406-01	Nut No. 6-32 Hex Machine Screw
14	A29430-020	Complete Assembly

**MF900RC
PARTS ILLUSTRATIONS AND PARTS LISTS**



**REMOTE CONDENSER RC151-32B
RC302-32B**

ITEM NUMBER	PART NUMBER	DESCRIPTION
1	02-2618-01	Guard, Fan
2	18-3733-01	Blade, Fan
3	18-5301-01	Motor, Fan



PRE-CHARGED TUBING KIT

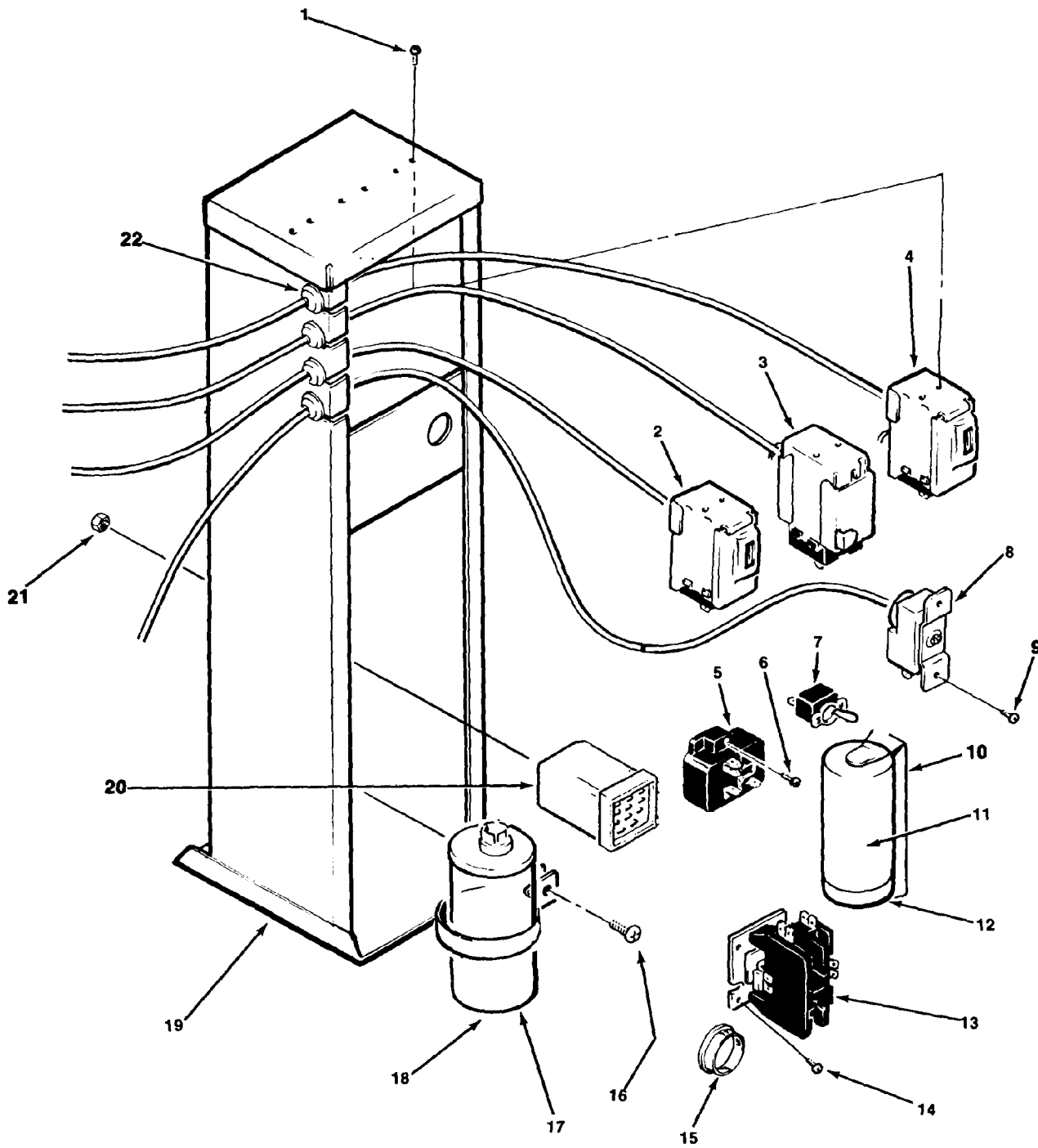
ITEM NUMBER	PART NUMBER	DESCRIPTION
1	RTCM225	25' Long
2	RTCM240	40' Long

MF900RC
PARTS ILLUSTRATIONS AND PARTS LISTS

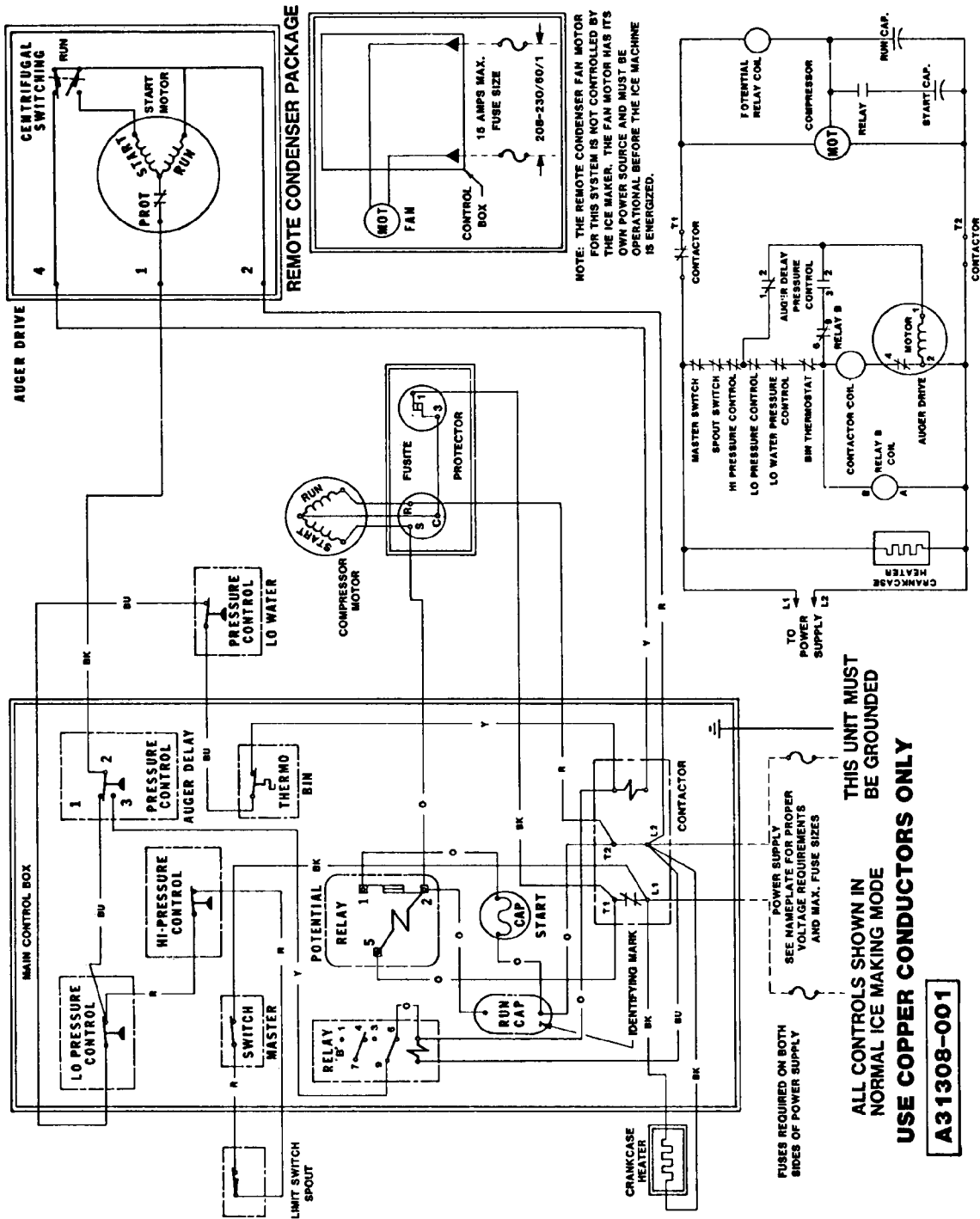
CONTROL BOX

ITEM NUMBER	PART NUMBER	DESCRIPTION
1	03-1403-02	Screw
2	11-0420-01	Low Pressure Control
3	11-0410-01	Hi Pressure Control
4	11-0402-01	Auger Relay Control
5	18-1903-29	Relay — 230/60/1
	18-1903-34	Relay — 208/60/1
6	03-1403-04	Screw
7	12-0426-01	Master Switch
8	11-0354-00	Bin Thermostat
9	03-1403-17	Screw
10	18-2200-39	Start Capacitor Bracket
11	18-1901-15	Start Capacitor — 230-208/60/1 & 230/60/1
12	18-3724-01	Capacitor Cap
13	12-2048-02	Contactor 230-208/60/1
	02-0739-02	Contactor 208-230/60/3
14	03-1403-17	Screw
15	12-1213-12	Snap Bushing
16	03-1403-23	Screw
17	<i>No Number</i>	Capacitor Bracket
18	18-1902-29	Run Capacitor — 230/60/1
	18-1902-34	Run Capacitor — 208/60/1
19	<i>No Number</i>	Control Box
20	12-2090-05	Relay
21	03-1406-01	Nut No. 6-32
22	13-0557-00	Grommet

MF900RC
PARTS ILLUSTRATIONS AND PARTS LISTS

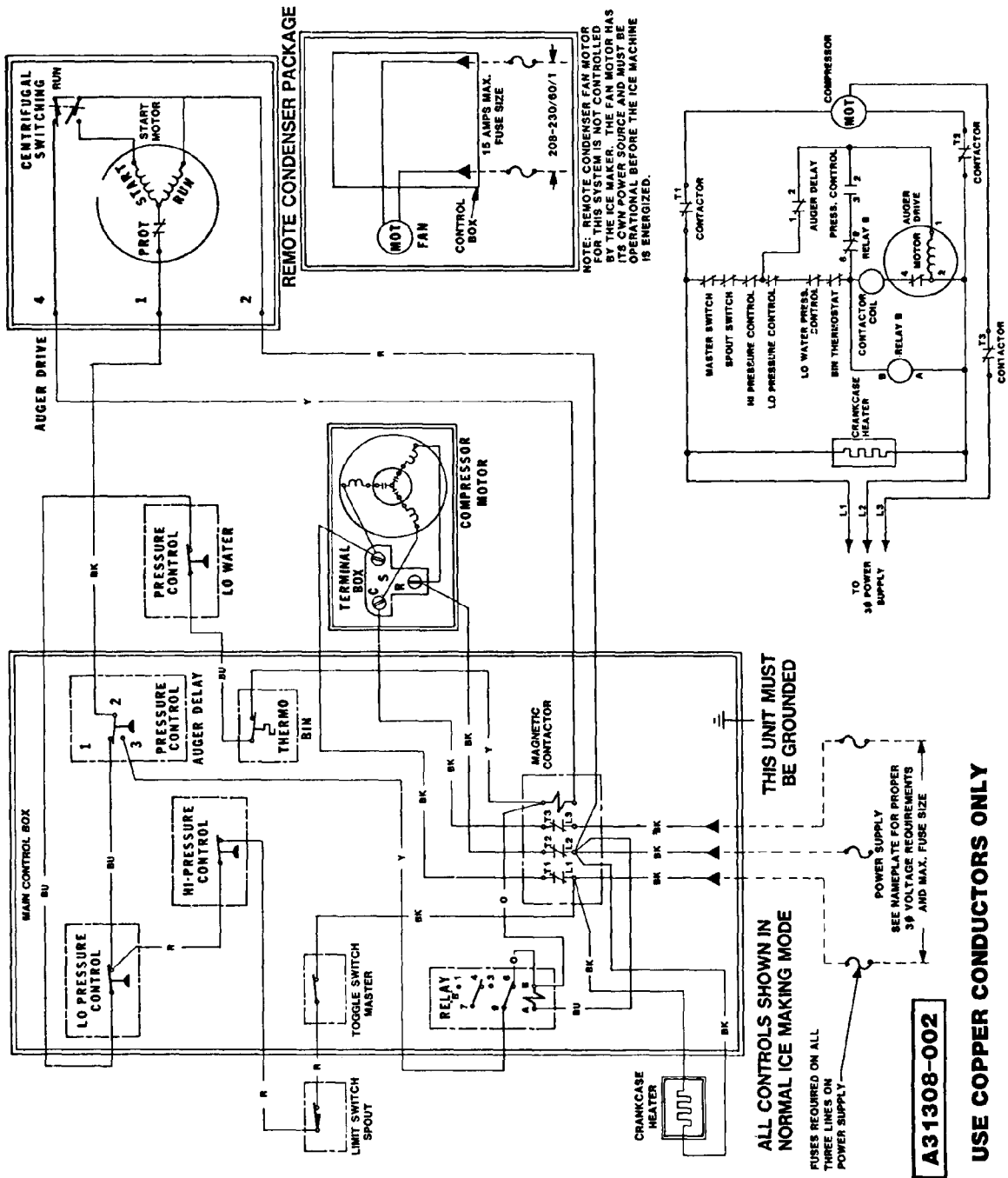


MF900RC WIRING DIAGRAMS



Wiring Diagram 230/60/1 and 208/60/1

MF900RC WIRING DIAGRAMS



NOTE: REMOTE CONDENSER FAN MOTOR MODE, THIS SYSTEM IS NOT CONTROLLED BY THE ICE MAKER. THE FAN MOTOR HAS ITS OWN POWER SOURCE AND MUST BE OPERATIONAL BEFORE THE ICE MACHINE IS ENERGIZED.

Wiring Diagram 208-230/60/3