

MH750 Parts List

Table of Contents

Cabinet

Air Cooled

Water Cooled

Water System

Elbow & Switch

Evaporator

Drive Motor

Compressor

Control Box - Air Cooled

Control Box - Water Cooled

Wiring Diagrams

MH750 THE PARTS ILLUSTRATIONS AND PARTS LISTS

GENERAL

This section contains the Parts Illustrations and the Parts List for each of the major assemblies in the Model MH750 Modular Nugget Ice maker.

A *No Number* designation, when used in the Part Number Column indicates the unit is not available from SCOTSMAN as an assembly. This designation is used only for the convenience and clarity of division in cataloging.

HOW TO ORDER PARTS OR ASSEMBLIES

When ordering parts or assemblies, to avoid costly delays and errors in shipment, give the part number, the complete description shown in the list, and the quantities of each part or assembly required. Also include the model name, the serial number of the icemaker for which the part is required and for parts which require color matching, the color of the cabinet.

All part numbers have TEN DIGITS (spaces), required for use in the Computer System. BE SURE to fill in ALL SPACES in the CATALOG NUMBER column, on the parts order form.

Model MH750's have been manufactured in A through C Models. As in MH750AE-1A vs. MH750AE-1C. Refer to the complete model number to obtain the correct part number.

WIRING DIAGRAMS

This section is provided as an aid in understanding the electrical circuitry of the Model MH750 Modular Nugget Ice maker.

The wiring diagrams in this Section are:

- MH750AE-1A Air-Cooled Models 115/60/1
- MH750WE-1A Water-Cooled Models 115/60/1
- MH750AE-1C Air-Cooled Models 115/60/1
- MH750WE-1C Water-Cooled Models 115/60/1

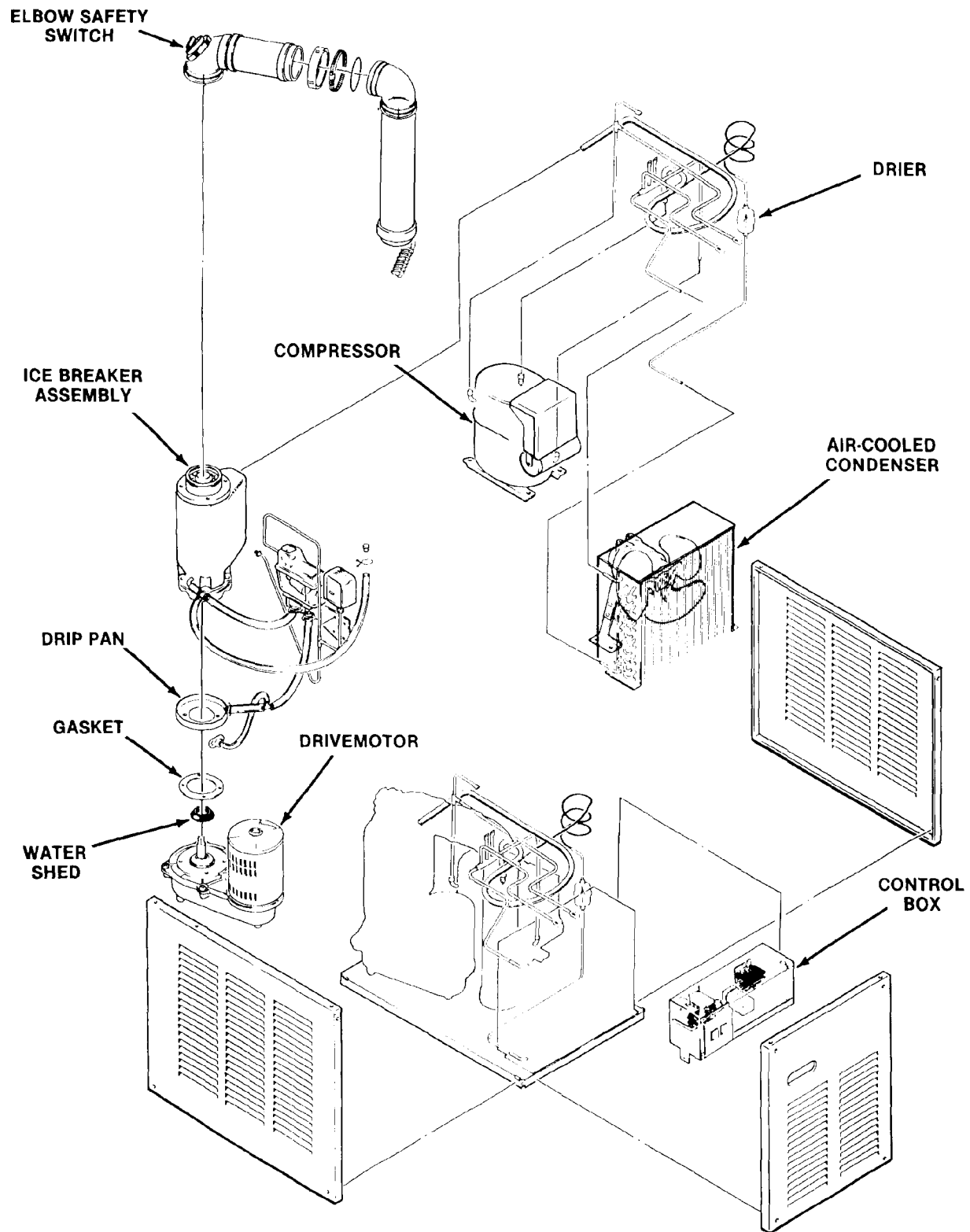
//////////////////// WARNING //////////////////////

When conducting a continuity check of the modular cuber:

1. Disconnect the main power source.
2. DO NOT use an incandescent lamp or jumper wire, conduct all tests with a volt-ohm-meter.

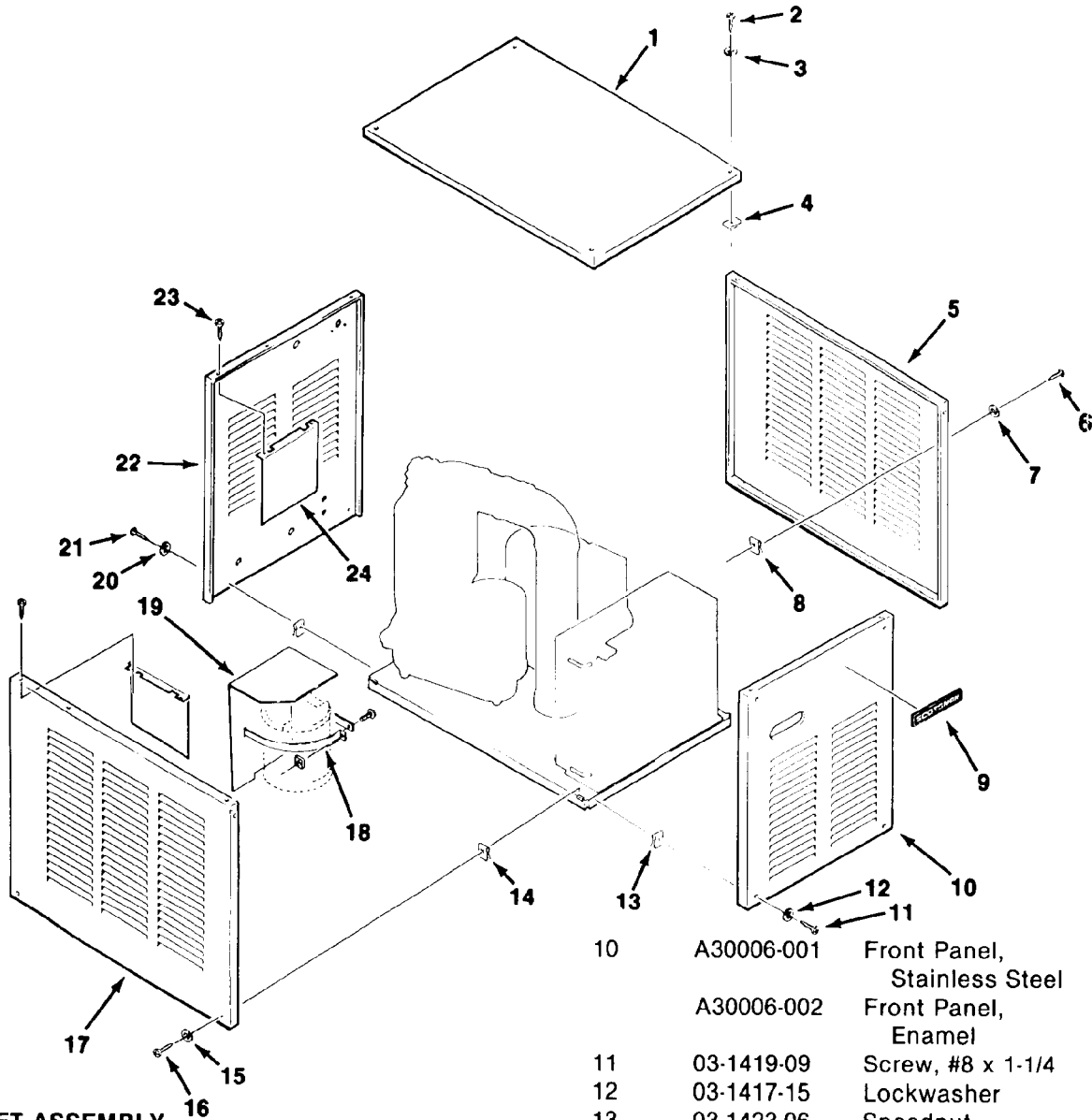
////////////////////////////////////

MH750 THE PARTS ILLUSTRATIONS AND PARTS LISTS



Component Location

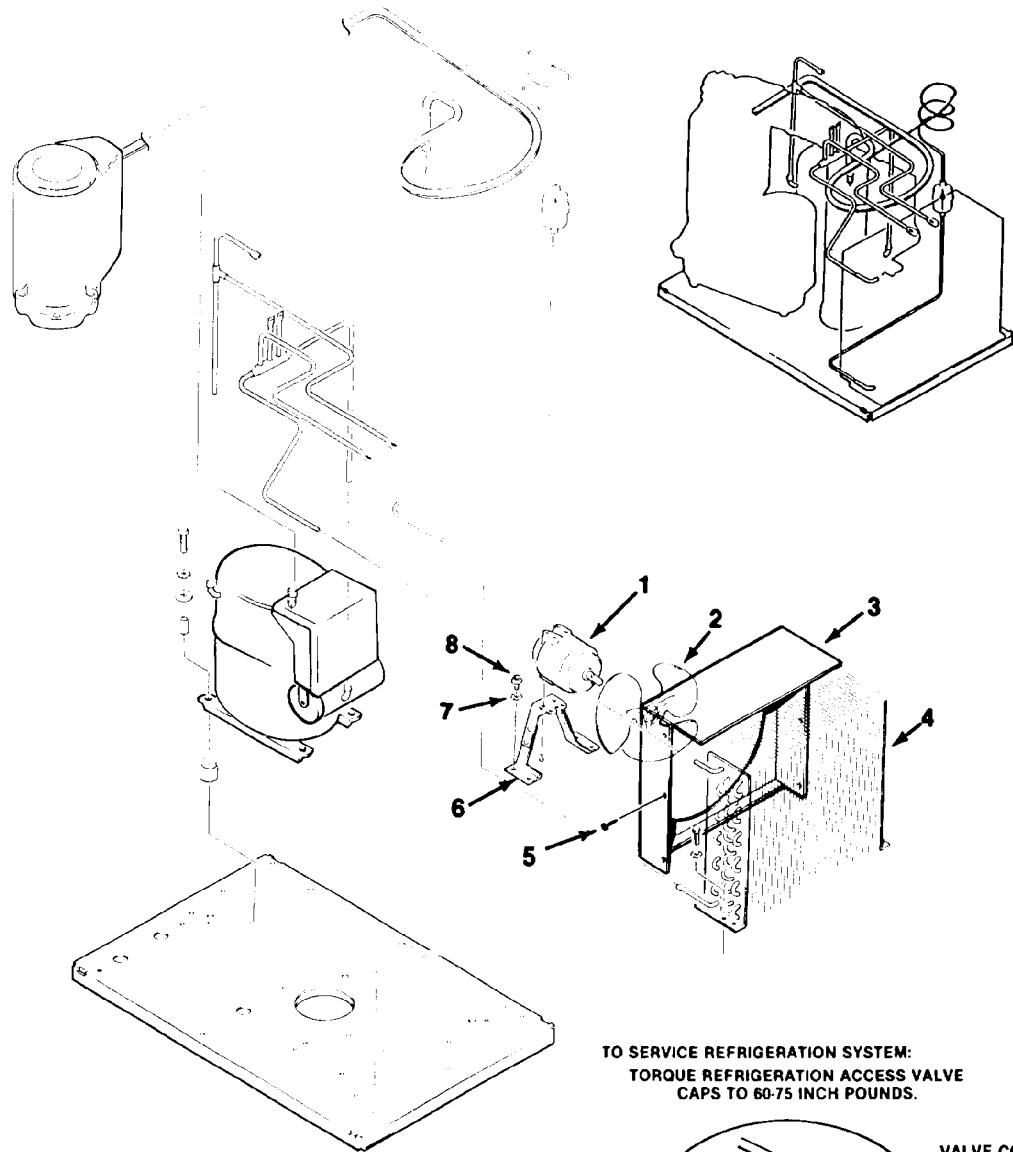
MH750 THE PARTS ILLUSTRATIONS AND PARTS LISTS



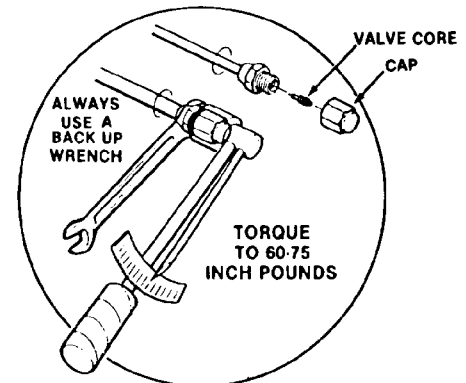
CABINET ASSEMBLY

ITEM NUMBER	PART NUMBER	DESCRIPTION
1	A30007-001	Top Panel, Stainless Steel
	A30007-002	Top Panel, Enamel
2	03-1419-09	Screw, #8 x 1-1/4
3	03-1417-15	Lockwasher
4	03-1423-06	Speednut
5	A30009-001	Panel, Right Side, Stainless Steel
	A30009-002	Panel, Right Side, Enamel
6	03-1404-09	Screw, #8 x 1/2
7	03-1417-03	Lockwasher
8	03-1507-00	Speednut
9	15-0718-01	Scotsman Emblem
10	A30006-001	Front Panel, Stainless Steel
	A30006-002	Front Panel, Enamel
11	03-1419-09	Screw, #8 x 1-1/4
12	03-1417-15	Lockwasher
13	03-1423-06	Speednut
14	03-1507-00	Speednut
15	03-1417-03	Lockwasher
16	03-1404-09	Screw, #8 x 1/2
17	A30008-001	Panel, Left Side, Stainless Steel
	A30008-002	Panel, Left Side, Enamel
18	No Number	Strap (A & B Models)
19	A30125-001	Motor Shield
20	03-1417-03	Lockwasher
21	03-1404-09	Screw, #8 x 1/2
22	A30010-001	Rear Panel, Stainless Steel
	A30010-002	Rear Panel, Enamel
23	03-1404-09	Screw, #8 x 1/2
24	No Number	Wire Shield

MH750 THE PARTS ILLUSTRATIONS AND PARTS LISTS



TO SERVICE REFRIGERATION SYSTEM:
TORQUE REFRIGERATION ACCESS VALVE
CAPS TO 60-75 INCH POUNDS.

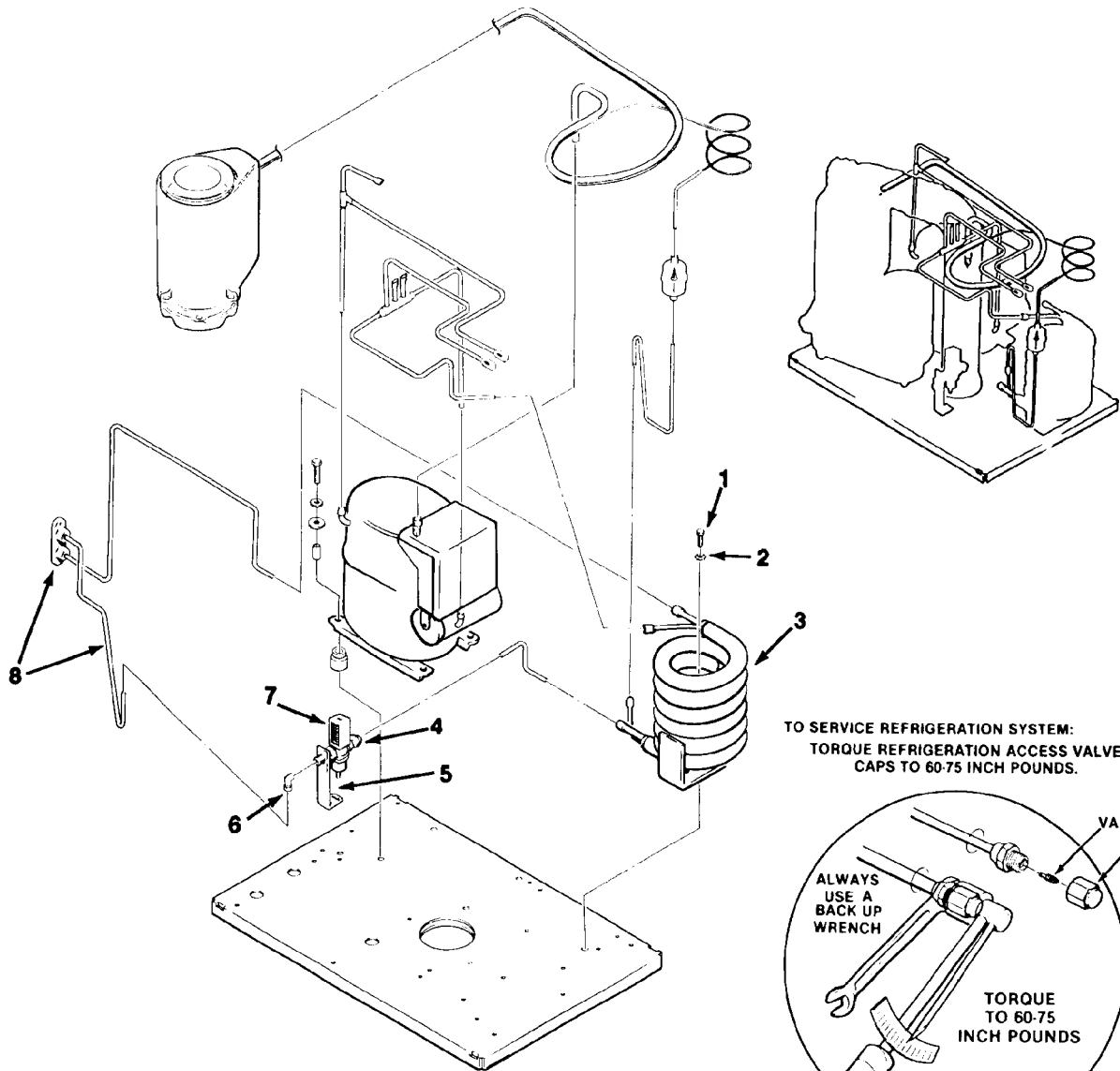


ALWAYS USE A BACK-UP
WRENCH TO AVOID DAMAGE
TO THE REFRIGERANT TUBING.

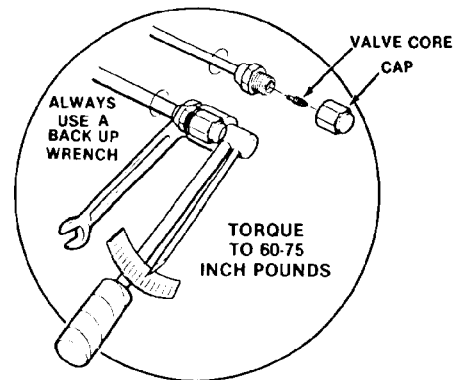
AIR-COOLED ASSEMBLIES

ITEM NUMBER	PART NUMBER	DESCRIPTION
1	18-0559-01	Fan Motor (115/60/1)
2	18-0625-00	Fan Blade and Nut
3	A30003-001	Shroud
4	18-0396-01	Condenser
5	03-1404-03	Scew, #6 x 1/4
6	A25548-001	Fan Mounting Bracket
7	03-1417-09	Lockwasher, 1/4-inch
8	03-0571-00	Screw, 1/4-20 x 1/2-inch

MH750 THE PARTS ILLUSTRATIONS AND PARTS LISTS



TO SERVICE REFRIGERATION SYSTEM:
TORQUE REFRIGERATION ACCESS VALVE
CAPS TO 60-75 INCH POUNDS.

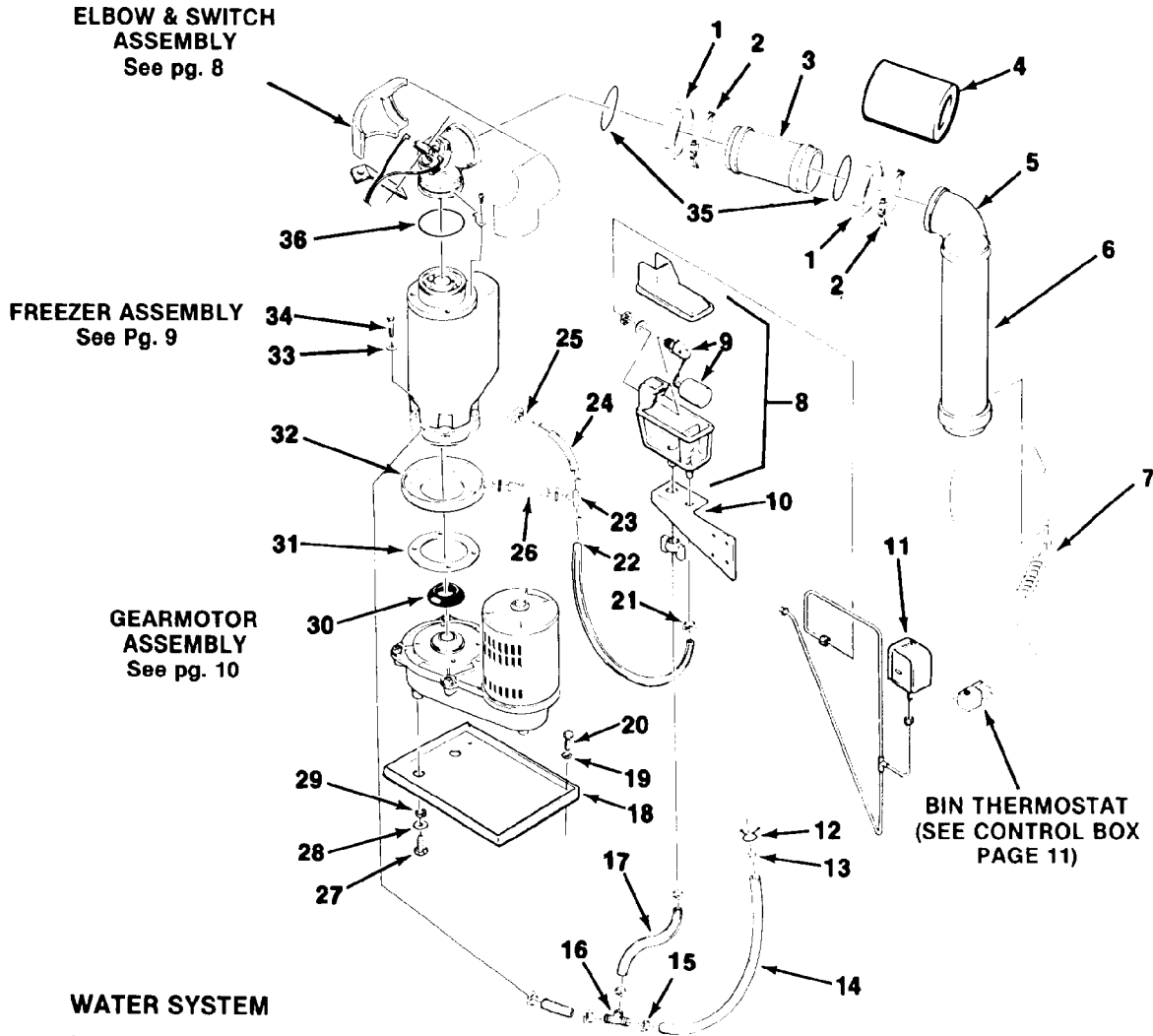


ALWAYS USE A BACK-UP
WRENCH TO AVOID DAMAGE
TO THE REFRIGERANT TUBING.

WATER-COOLED ASSEMBLIES

ITEM NUMBER	PART NUMBER	DESCRIPTION
1	03-0571-00	Screw, 1/4-20 x 1/2
2	03-1417-09	Lockwasher, 1/4
3	18-3305-02	Condenser Assembly
4	No Number	Coupling
5	A15924-000	Pipe Nipple Assembly
6	No Number	Elbow
7	11-0198-02	Water Regulator
8	A3238-001	Condenser-Inlet Drain

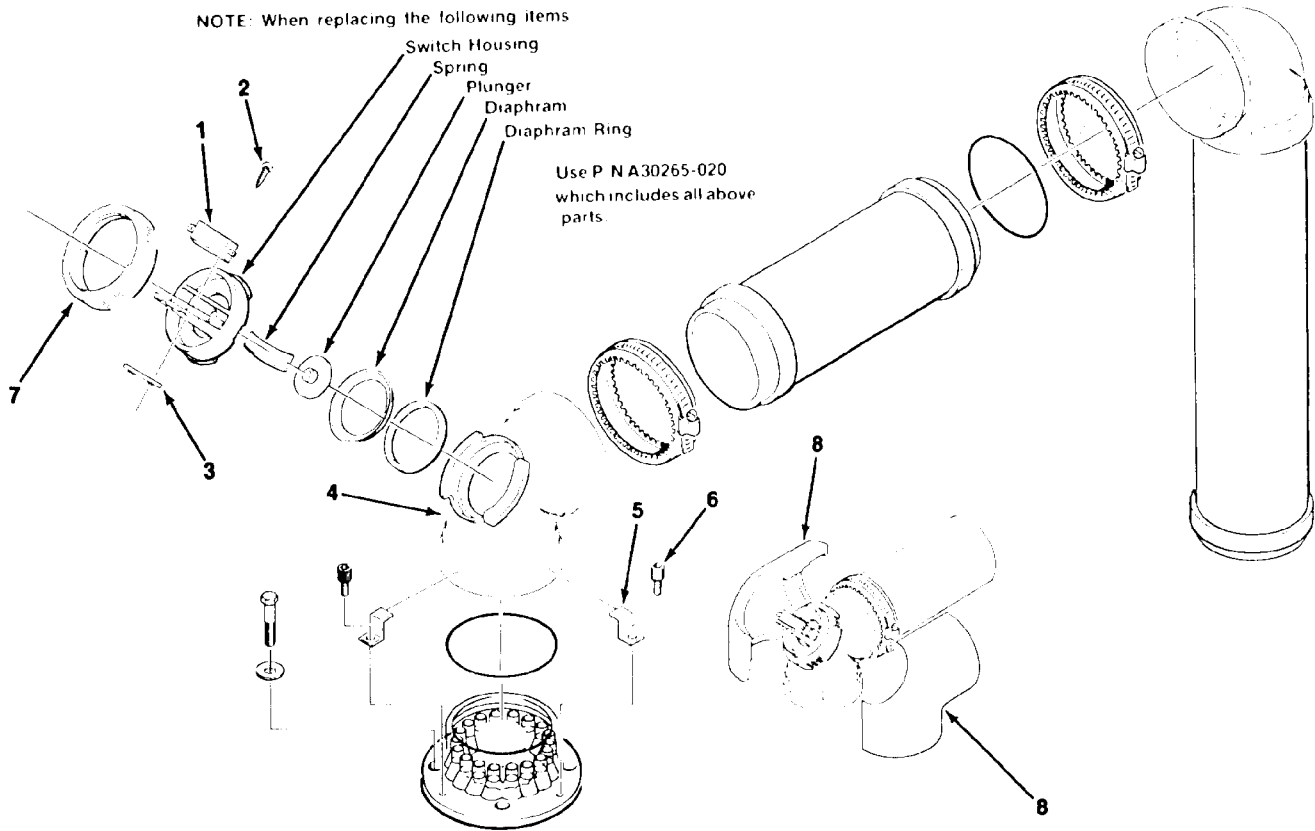
MH750 THE PARTS ILLUSTRATIONS AND PARTS LISTS



WATER SYSTEM

ITEM NUMBER	PART NUMBER	DESCRIPTION
1	A30089-001	U Channel (3)
2	02-0179-03	Band Clamp (3)
3	A30088-01	Ice Tube Assembly
4	No Number	Tube Covering
5	02-2764-02	Elbow
6	A30935-001	Ice Tube Assembly
7	A30148-001	Thermo Bracket
8	02-2217-01	Reservoir Assembly
9	02-2217-02	Valve and Float Reservoir
10	A30002-001	Mounting Bracket Reservoir
11	11-0296-00	Low Water Pressure Control
12	A31627-001	Clamp
13	13-0859-01	Plug "C" Model
14	13-0674-09	Hose 20" "C" Model
15	02-0694-00	Clamp
16	16-0670-02	Tee "C" Model
17	13-0674-09	Hose 6.5"
18	A28207-001	Motor Plate
19	03-1417-09	Lockwasher, 1/4
20	03-0571-00	Screw, 1/4-20 x 1/2
21	02-0694-00	Clamp
22	13-0079-03	Hose 22"
23	16-0670-02	Tee "C" Model
24	13-0079-03	Drain Tube 6.0"
25	A31757-003	Drain "C" Model
26	13-0079-03	Drain Tube 3.0" "C" Model
27	03-1420-01	Screw, 5/16-18 x 7/8
28	03-1410-04	Lockwasher, 5/16
29	03-1408-35	Washer
30	A31340-001	Water Shed "C" Model
31	13-0704-00	Gasket
32	A32050-001	Drip Pan "C" Model
33	03-1408-03	Washer
34	03-1420-03	Screw, Hex Cap 1-1/4 - 18 x 5/16 inch
35	13-0617-49	O-Ring (2)
36	13-0617-45	O-Ring

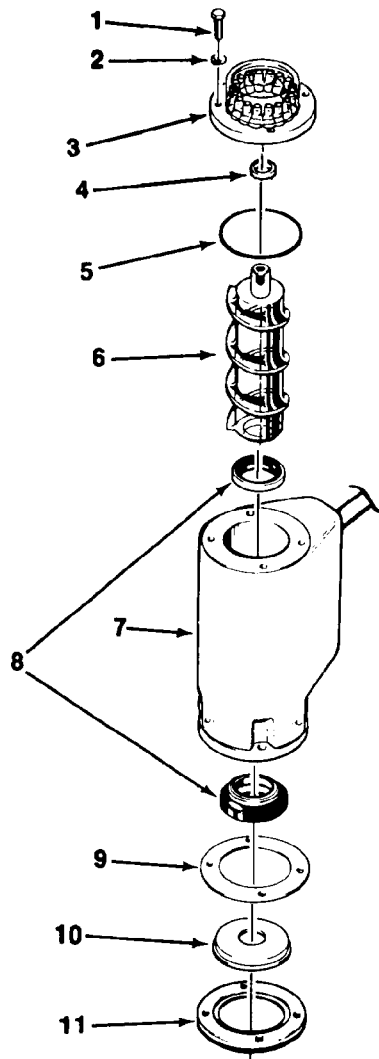
MH750 THE PARTS ILLUSTRATIONS AND PARTS LISTS



ELBOW AND SWITCH ASSEMBLY

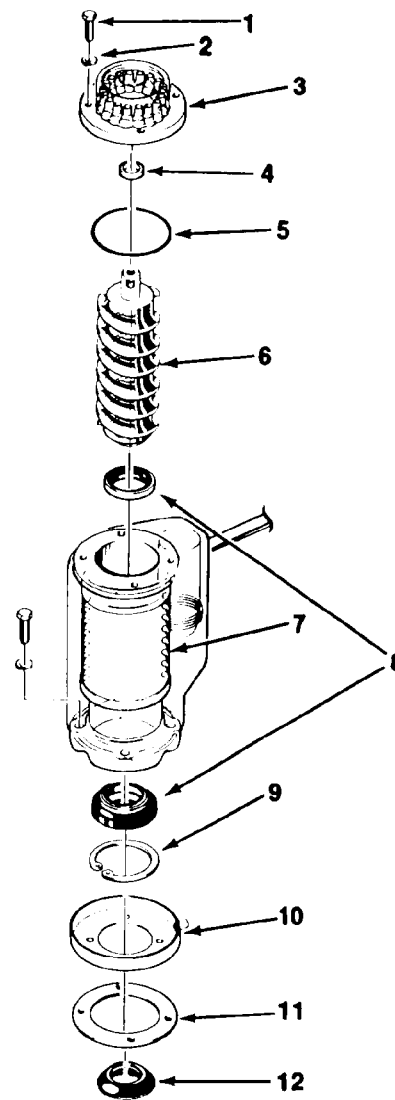
ITEM NUMBER	PART NUMBER	DESCRIPTION
1	12-2202-01	Switch
2	03-1403-08	Screw, No. 6-32 x 7/8
3	03-0886-00	Speednut
4	02-2764-01	Elbow Assembly
5	02-2604-01	Bracket, Spout Retaining
6	03-1544-04	Screw, No. 10-24 x 3/8 Stainless Soc HD Cap
7	02-2637-01	Retaining Ring
8	A31390-001	Insulation - Includes left and right sides

MH750 THE PARTS ILLUSTRATIONS AND PARTS LISTS



FREEZER ASSEMBLY (A MODEL ONLY)

ITEM NUMBER	PART NUMBER	DESCRIPTION
1	03-1405-42	Screw, No. 5/16 - 18 x 7/8 Hex Cap
2	03-1417-13	Lockwasher, No. 5/16 Helical Spring
3	A32571-020	Ice Breaker (Includes Bearing & Seal)
4	02-2853-01	Seal
5	13-0617-46	O-Ring
6	A31839-001	Auger
7	A32098-020	Freezer Assembly
8	02-0929-01	Seal, Water
9	13-0704-00	Gasket
10	A29463-001	Adapter Freezer
11	02-2577-01	Adapter Large



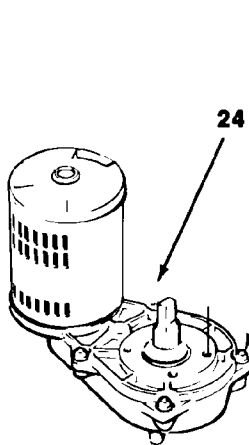
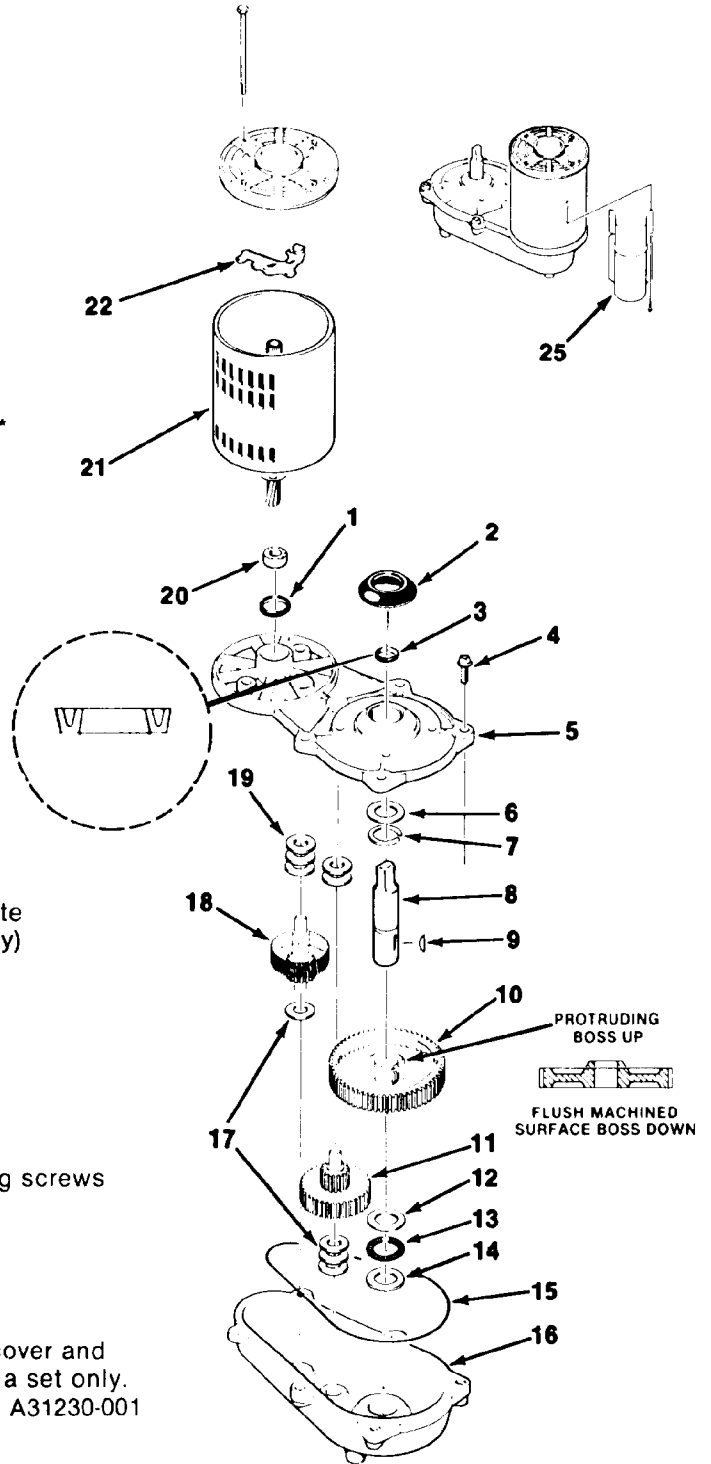
FREEZER ASSEMBLY (C MODEL ONLY)

ITEM NUMBER	PART NUMBER	DESCRIPTION
1	03-1405-42	Screw
2	03-1417-13	Lockwasher
3	A32571-020	Ice Breaker (Includes Bearing & Seal)
4	02-2853-01	Seal
5	13-0617-46	O-Ring
6	A31839-001	Auger
7	A32098-020	Freezer Assembly (Includes 10 & 11)
8	02-0929-01	Water Seal
9	03-1558-05	Snap Ring
10	A32050-001	Drip Pan
11	13-0704-00	Gasket
12	13-0709-02	Water Shed

MH750 THE PARTS ILLUSTRATIONS AND PARTS LISTS

DRIVE MOTOR ASSEMBLY

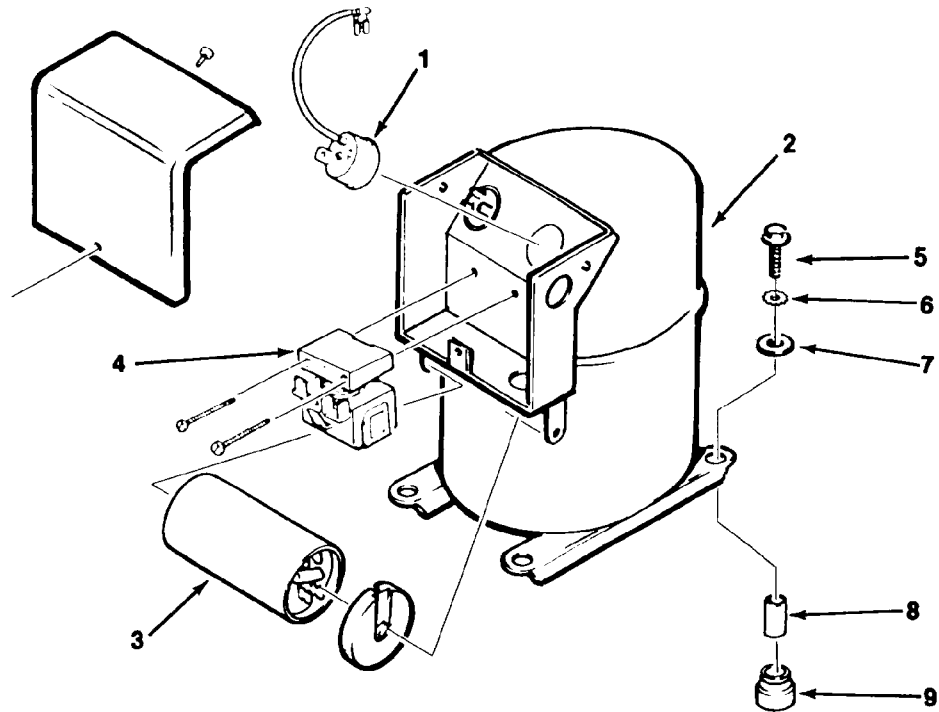
ITEM NUMBER	PART NUMBER	DESCRIPTION
1	02-1606-00	Oil Seal
2	13-0709-02	Water Shed C Model Only
3	02-2853-01	Oil Seal - Faces Up
4	03-1251-01	Screw*
5	A31230-001	Gear Case Cover Assembly*
6	02-1681-00	Thrust Race
7	03-1363-00	Retaining Ring
8	02-2541-01	Shaft, Output
9	03-1630-01	Key
10	02-2745-01	Gear, Output
11	02-1604-00	Third Pinion Assembly, Second Gear
12	02-1679-00	Thrust Race
13	A32368-020	Bearing (Includes Items 12, 13, & 14)
14	02-1679-00	Thrust Race
15	A26103-001	"O" Ring
16	A31230-001	Gear Case Assembly Bottom*
17	03-1408-24	Washer
18	02-1603-00	Second Pinion Assembly, First Gear
19	03-1408-24	Washer
20	12-1741-29	Bearing Shaft GE
	12-1741-20	Bearing Shaft Emerson
	12-2314-20	GE P.S.C.
21	A32425-001	Drive Motor
22	12-1741-28	Switch, Start (General Electric) #1
	12-1741-32	Start Switch (General Electric) #2
	12-2314-21	Centrifugal Switch P.S.C.
	12-1741-22	Switch, Start (Emerson)
23	A25835-001	Gearcase Oil (1) Pint
24	A32404-021	Gearmotor Assembly Complete
25	12-2314-22	Capacitor - (For G.E.PSC only)



*NOTE: Torque cover mounting screws
250-300 inch pounds.

*NOTE: Gearcase cover and
bottom are sold as a set only.
Order Part Number A31230-001

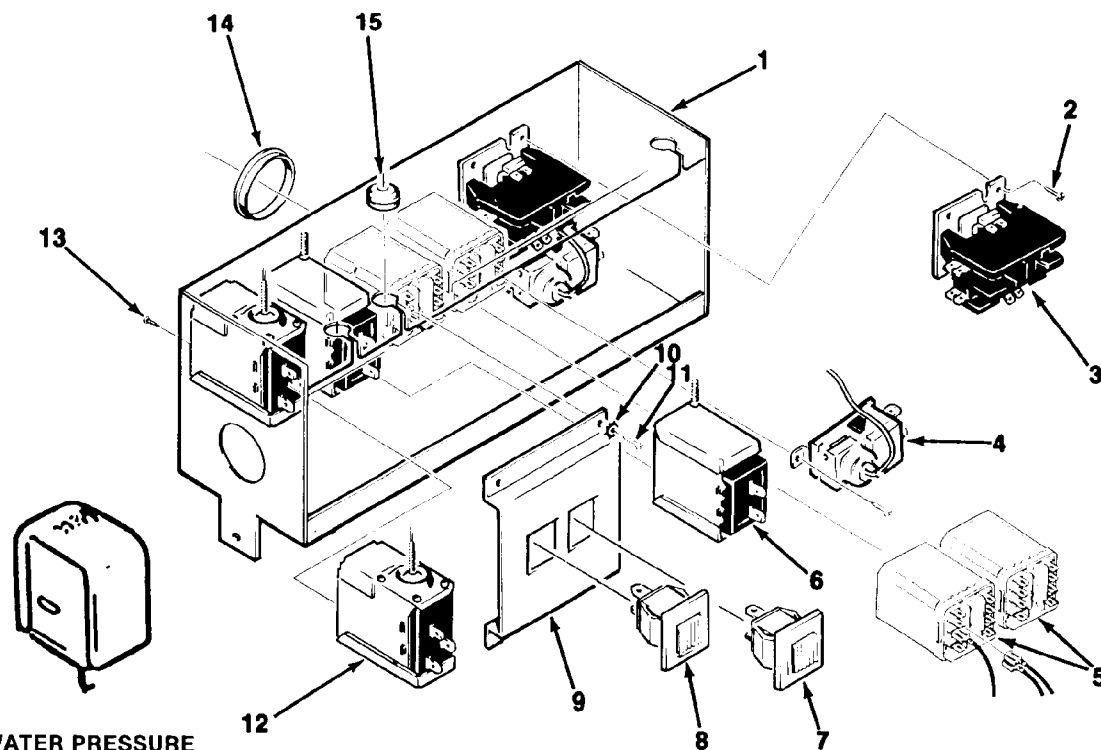
MH750 THE PARTS ILLUSTRATIONS AND PARTS LISTS



COMPRESSOR ASSEMBLY

ITEM NUMBER	PART NUMBER	DESCRIPTION
1	18-2400-25	Overload (115/60/1)
2	18-3900-01	Compressor Assembly (115/60/1) (208-230/60/1)
3	18-2420-00	Capacitor (115/60/1) With Cap
4	18-2410-00	Relay (115/60/1)
5	03-1405-40	Screw
6	03-1417-12	Lockwasher
7	03-1408-29	Washer
8	18-2200-27	Sleeve
9	18-2200-28	Grommet

MH750 THE PARTS ILLUSTRATIONS AND PARTS LISTS

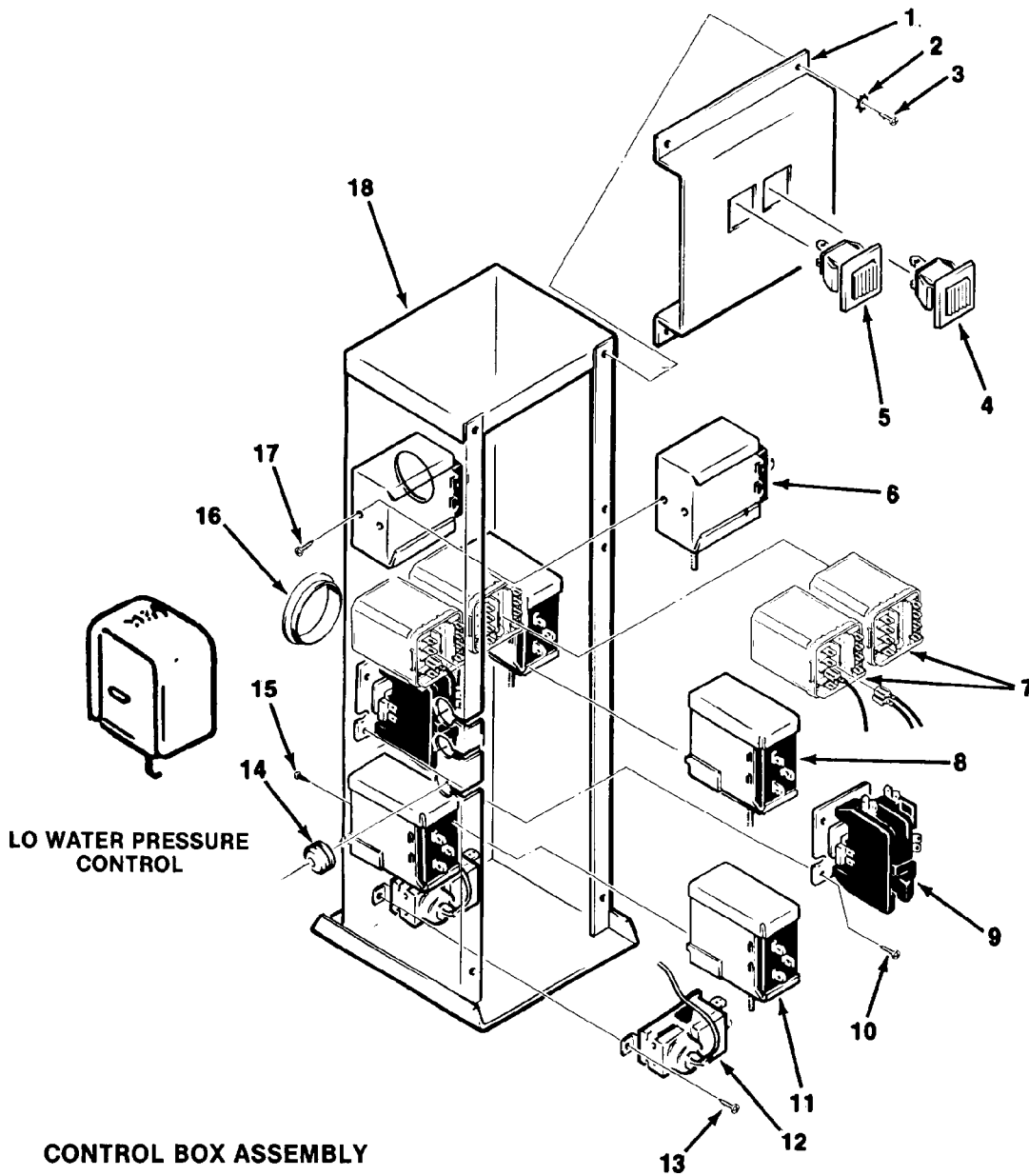


LO WATER PRESSURE CONTROL

CONTROL BOX ASSEMBLY — AIR-COOLED

ITEM NUMBER	PART NUMBER	DESCRIPTION
1	No Number	Control Box
2	03-1403-17	Screw, #8 x 3/8
3	12-2037-01	Contactor (115/60/1)
4	11-0354-00	Bin Thermostat
5	12-2090-01	Relay (115/60/1)
6	11-0420-01	Lo Pressure Control
7	12-2200-01	ON-OFF Switch (115/60/1)
8	12-2199-01	Start-Reset Switch (115/60/1)
9	A30543-001	Switch Housing
10	03-1417-03	Lockwasher
11	03-1531-01	Screw #8 x 3/8
12	11-0402-01	Auger Delay
13	03-1403-02	Screw, 6 x 1/4
14	12-1213-12	Snap Bushing
15	13-0557-00	Grommet

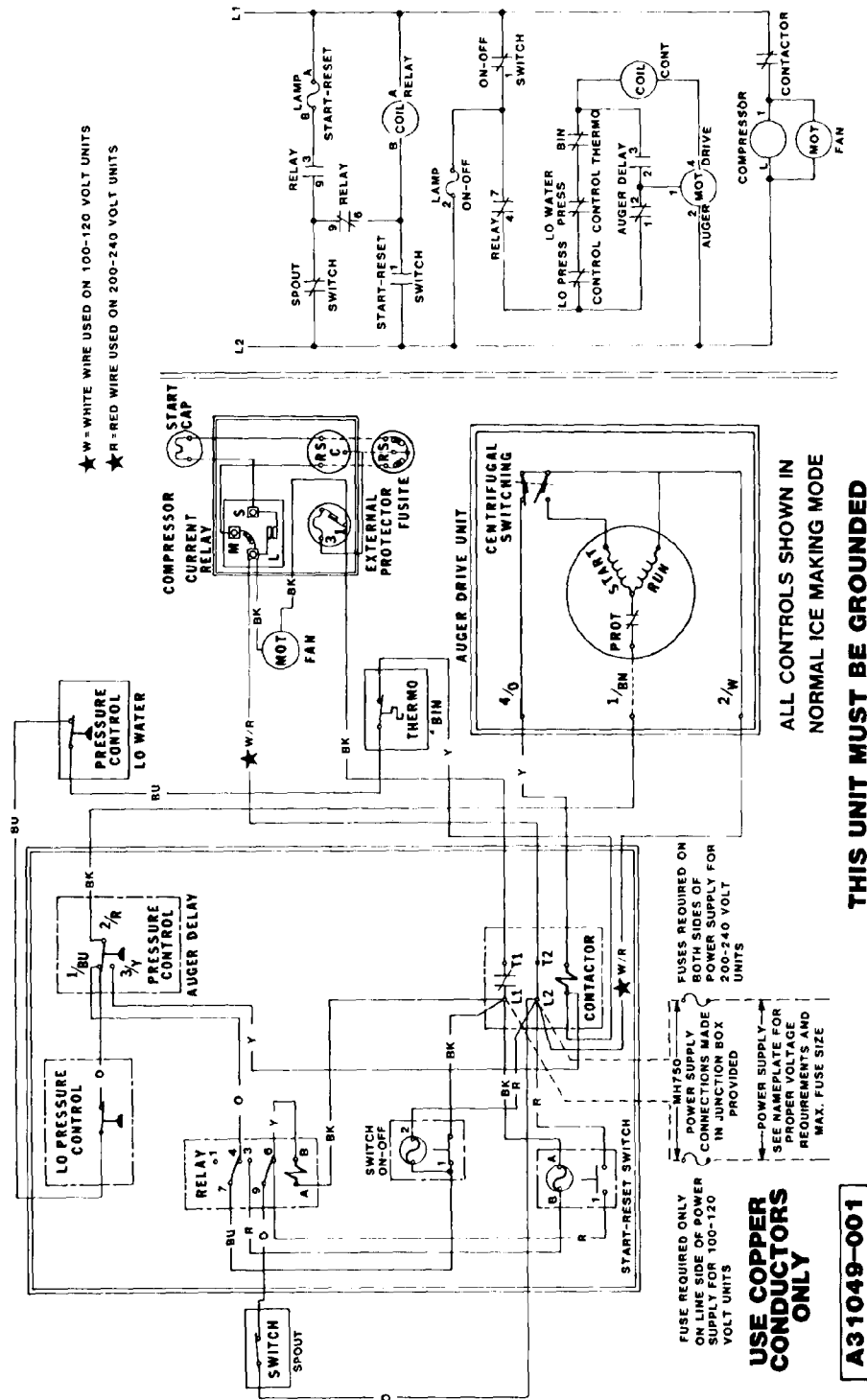
MH750 THE PARTS ILLUSTRATIONS AND PARTS LISTS



CONTROL BOX ASSEMBLY

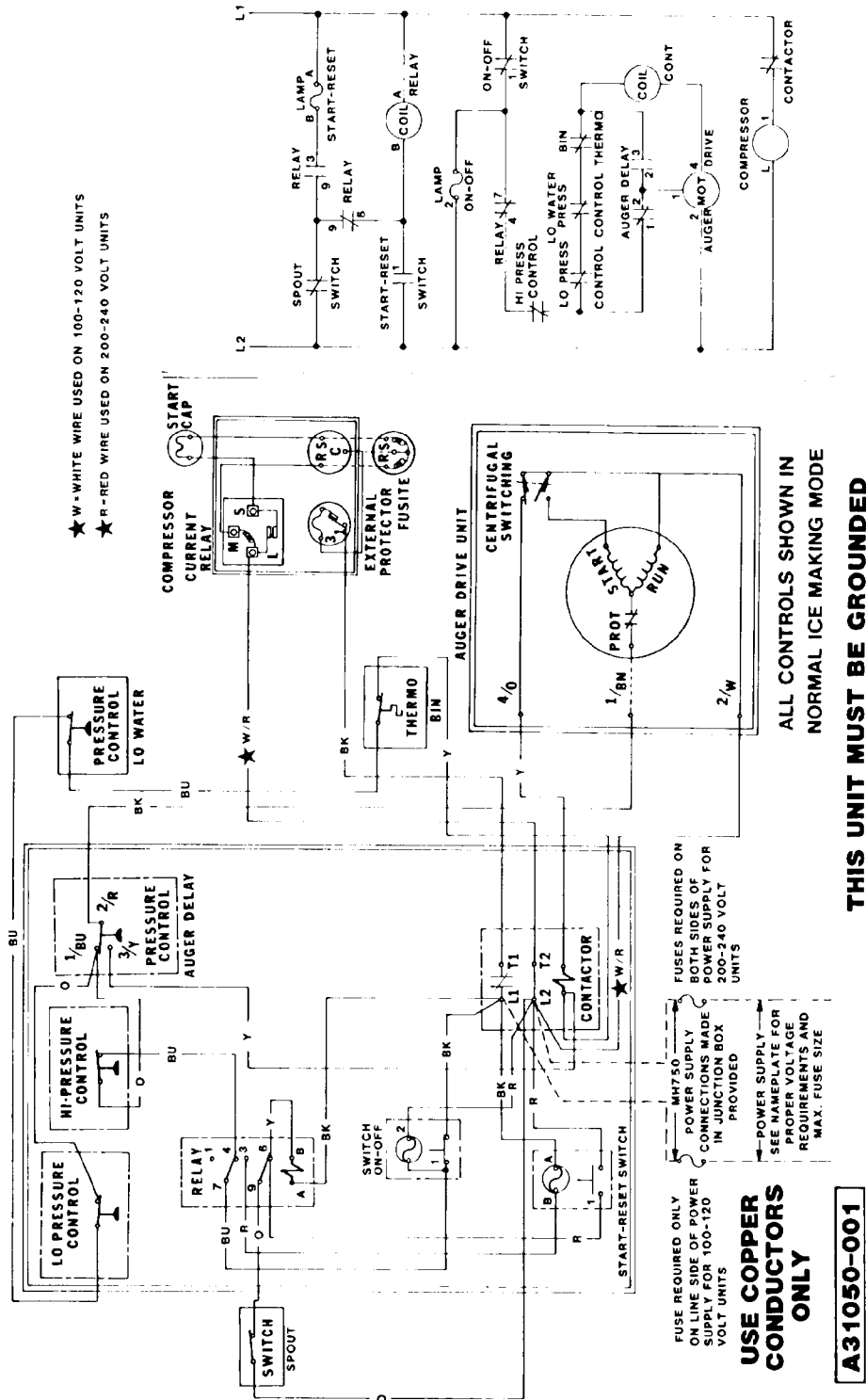
ITEM NUMBER	PART NUMBER	DESCRIPTION
1	A30543-001	Switch Housing
2	03-1417-03	Lockwasher
3	03-1531-01	Screw
4	12-2200-01	ON-OFF Switch (115/60/1)
5	12-2199-01	Start-Reset Switch (115/60/1)
6	11-0388-02	Hi Pressure Control
7	12-2090-01	Relay (115/60/1)
8	11-0402-01	Auger Delay
9	12-2037-01	Contactor (115/60/1)
10	03-1403-17	Screw, #8 x 3/8
11	11-0420-01	Lo Pressure Control
12	11-0354-00	Bin Thermostat
13	03-1403-02	Screw
14	13-0557-00	Grommet
15	03-1403-02	Screw
16	12-1213-10	Snap Bushing
17	03-1403-02	Screw
18	No Number	Control Box

MH750 WIRING DIAGRAM



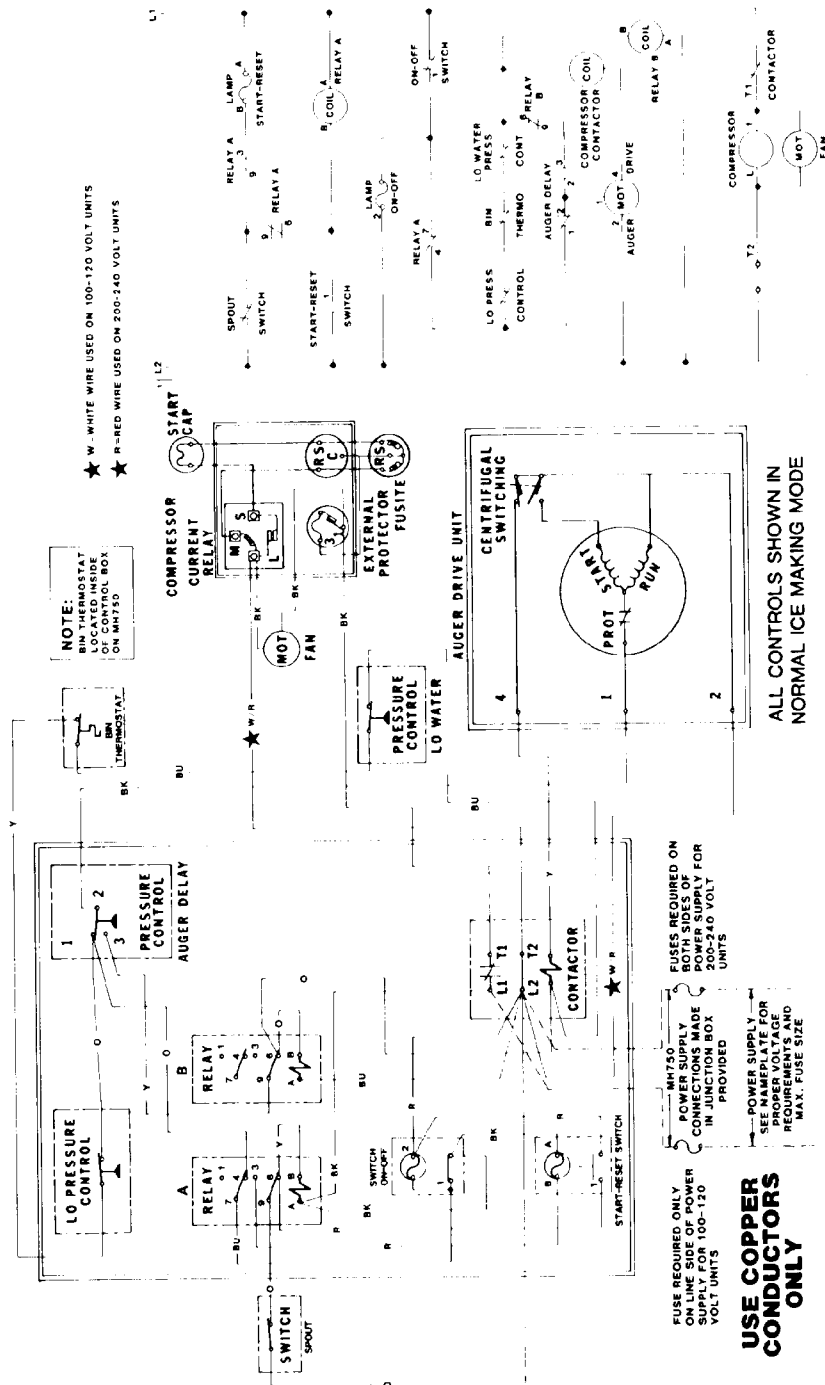
Wiring Diagram, MH750AE-1A (115/60/1)

MH750 WIRING DIAGRAM



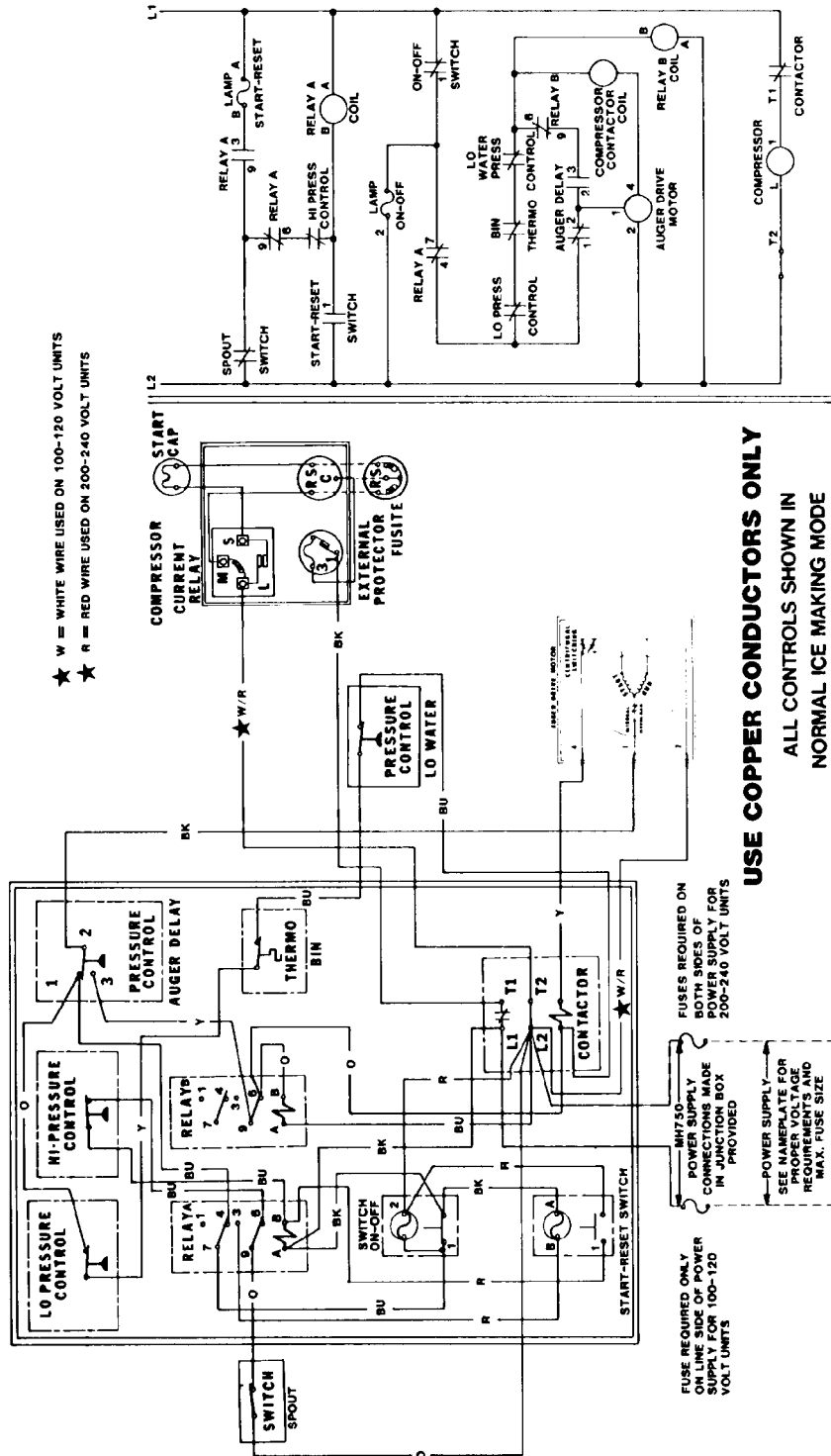
Wiring Diagram, MH750WE-1A (115/60/1)

MH750 WIRING DIAGRAM



Wiring Diagram, MH750AE-1C (115/60/1)

MH750 WIRING DIAGRAM



Wiring Diagram, MH750WE-1C (115/60/1)

SCOTSMAN

P/N 17-1753-20

A31472-001