

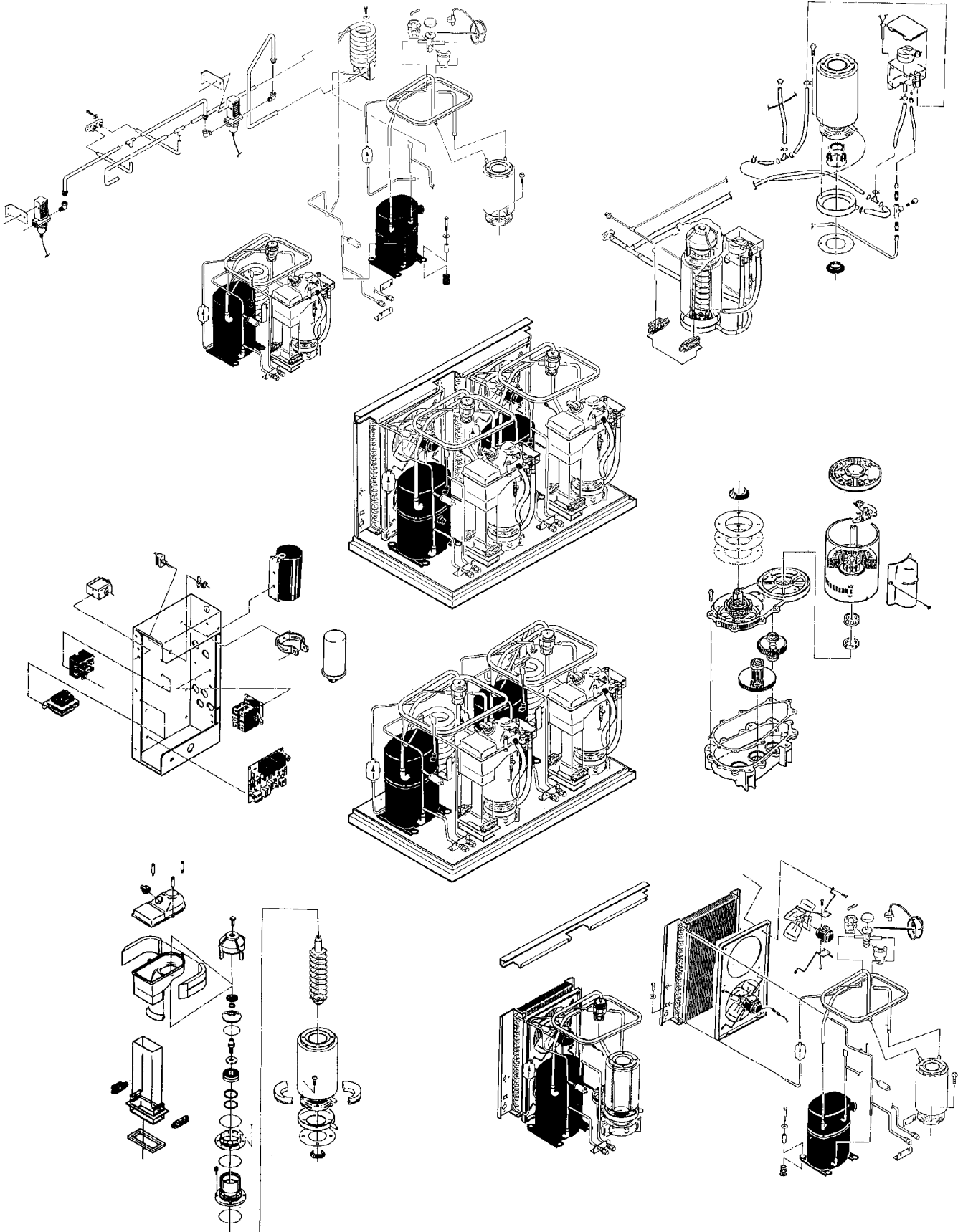
NM1852 SERVICE PARTS

This parts list contains the service parts and wiring diagrams for this model. Check the model number in question to be sure that it is applicable to this parts list.

TABLE OF CONTENTS

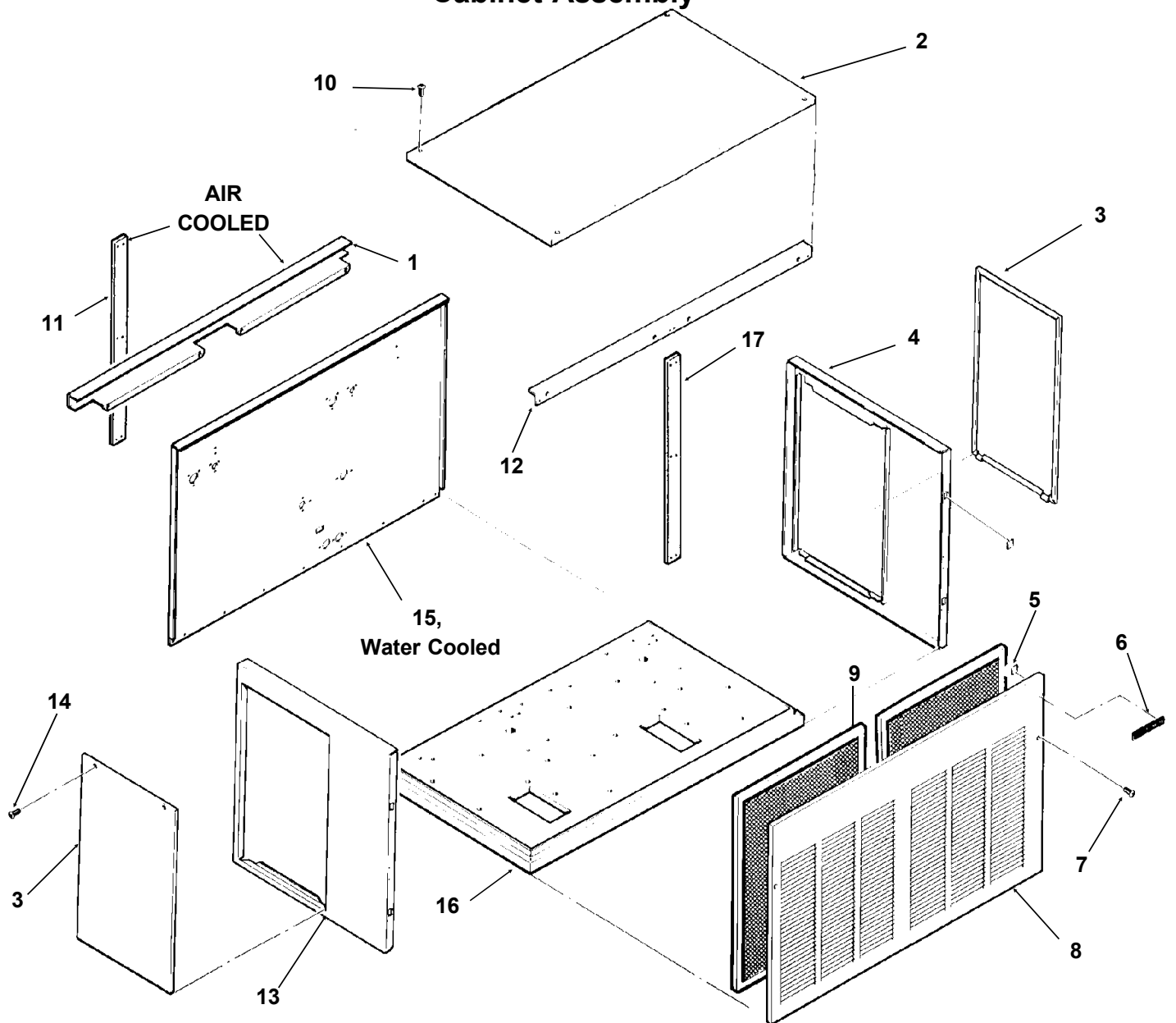
Cabinet	2
Air Cooled Refrigeration	3
Water Cooled Refrigeration.....	4
Water System	5
Gearmotor.....	6
Evaporator	7
Control Box.....	8
Wiring Diagrams	9

NM1852 SERVICE PARTS



NM1852 SERVICE PARTS

Cabinet Assembly

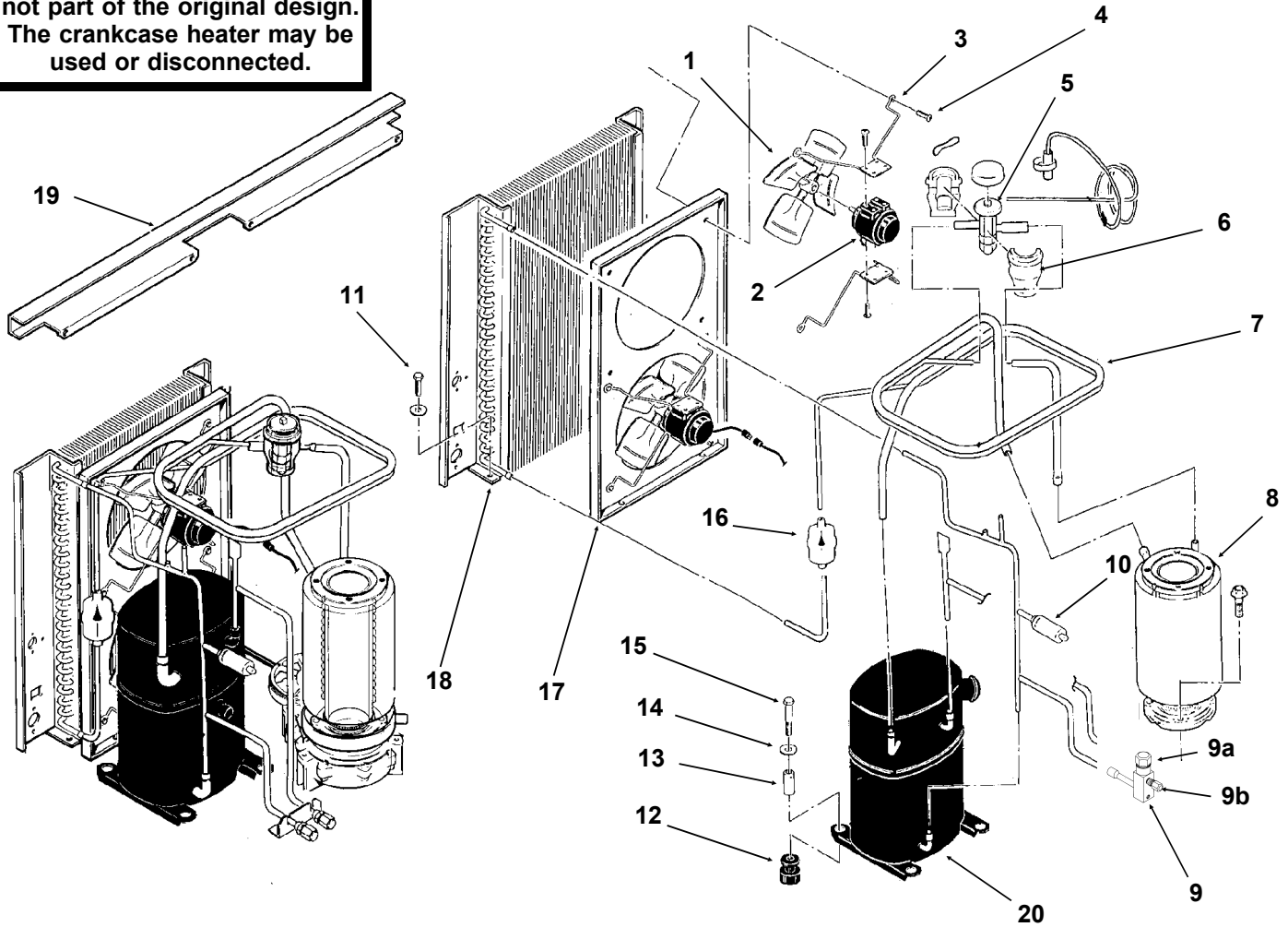


ITEM NUMBER	PART NUMBER	DESCRIPTION	ITEM NUMBER	PART NUMBER	DESCRIPTION
1	A34284-001	Condenser Support	9	02-2976-01	Filter Assembly (1)
2	A32461-001	Top Panel, Painted	10	03-1531-01	Screw
	A32461-002	Top Panel, S.S.	11	A34285-001	Filler Plate, Air Cooled
3	A34038-001	Service Panel, Painted	12	A34287-001	Support
	A34038-002	Service Panel, S.S.	13	A32435-001	Left Side Panel, Painted
4	A33292-001	Right Side Panel, Painted		A32435-002	Left Side Panel, S.S.
	A33292-002	Right Side Panel, S.S.	14	03-1404-12	Screw
5	03-0271-00	Speed Clip	15	A34283-001	Rear Panel, Water Cooled Painted Only
6	15-0711-01	Emblem	16.	A34282-001	Base
7	03-1419-08	Screw	17.	A34286-001	Center Support
8	A34294-001	Front Panel, Painted			
	A34294-002	Front Panel, S.S.			

NM1852 SERVICE PARTS

Air Cooled Refrigeration

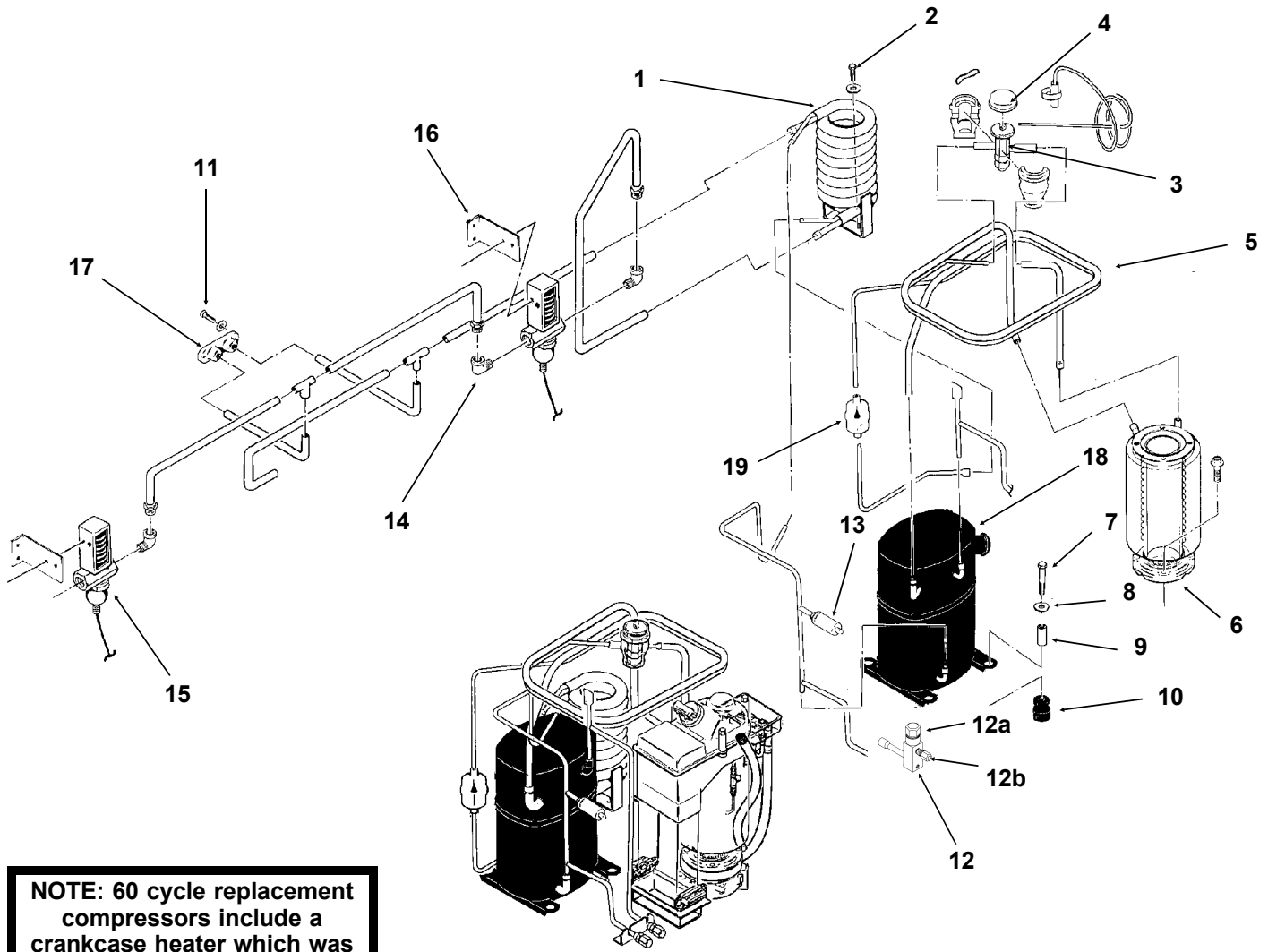
NOTE: 60 cycle replacement Compressors include a crankcase heater which was not part of the original design. The crankcase heater may be used or disconnected.



ITEM NUMBER	PART NUMBER	DESCRIPTION	ITEM NUMBER	PART NUMBER	DESCRIPTION
1	18-3815-01	Fan Blade	12	18-6800-01	Grommet
2	12-1576-02	Fan Motor	13	18-2300-27	Sleeve
3	02-2378-01	Fan Bracket	14	03-1407-07	Washer
4	03-1531-01	Screw	15	03-1405-20	Cap Screw
5	A32961-020	Insulation Kit (3 piece)	16	02-3319-02	Dryer
6	11-0477-20	Thermo Expansion Valve	17	A33231-001	Fan Shroud
7	A35566-001	Suction Line	18	18-8717-01	Condenser
8	A32890-020	Evaporator	19	A34284-001	Condenser Support
9	16-0832-20	Access valve	20	18-8716-23	Compressor 208-230/60/1
9a	16-0832-02	Stem cap		18-8716-25	Compressor 208-230/60/3
9b	16-0832-03	Core cap		18-8716-26	Compressor 220-240/50/1
10	11-0446-27	Hi Pressure Cut Out	(all have internal overloads & 60 cycle have crankcase heaters)		
11	03-1645-01	Screw			

NM1852 SERVICE PARTS

Water Cooled Refrigeration

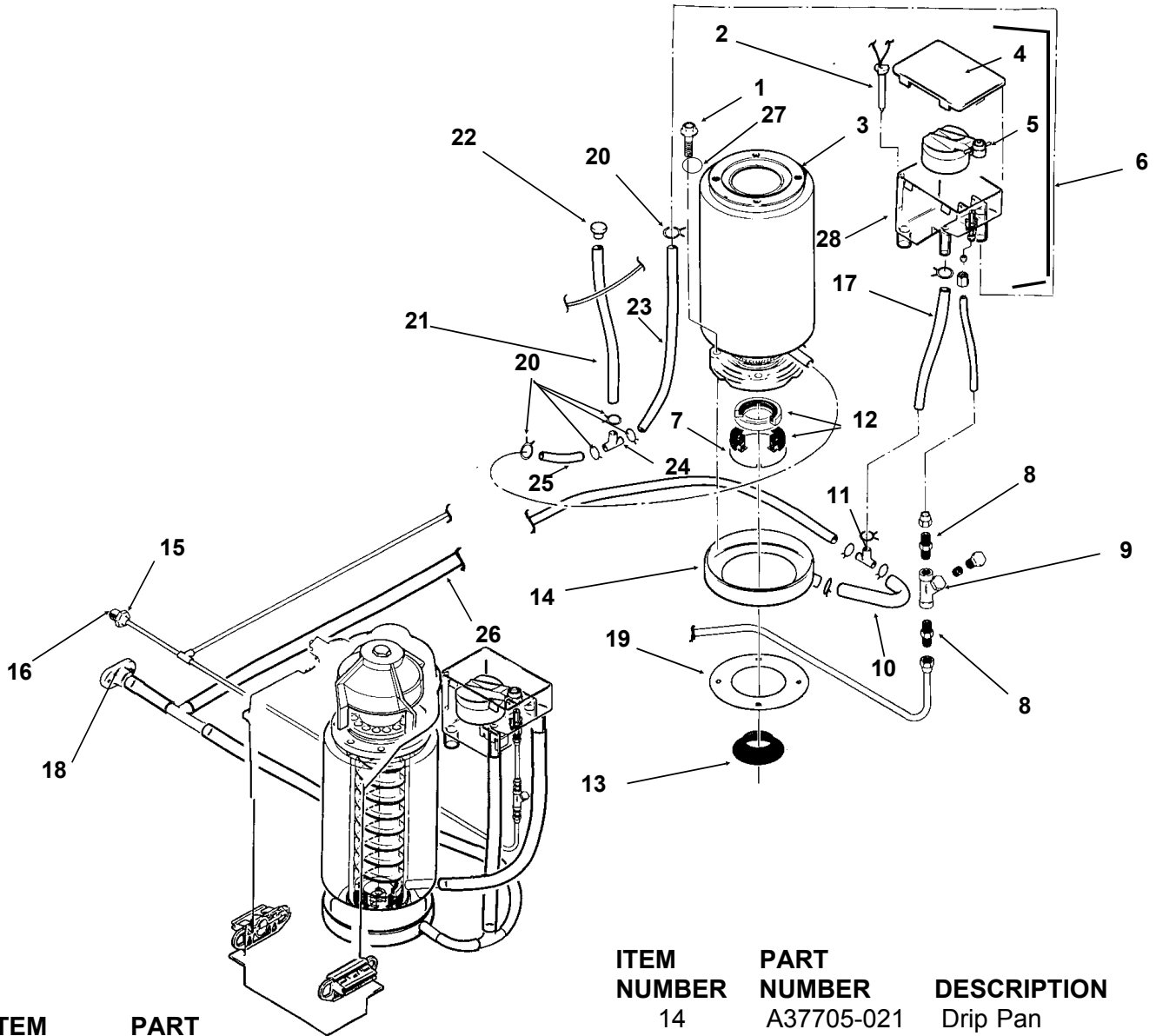


NOTE: 60 cycle replacement compressors include a crankcase heater which was not part of the original design. The crankcase heater may be used or disconnected.

ITEM NUMBER	PART NUMBER	DESCRIPTION	ITEM NUMBER	PART NUMBER	DESCRIPTION
1	18-8718-25	Condenser	12	16-0832-20	Access valve
2	03-1645-01	Screw	12a	16-0832-02	Stem cap
3	11-0477-20	Thermo Expansion Valve	12b	16-0832-03	Core cap
4	A32961-020	Insulation Kit (3 piece)	13	11-0446-27	Hi Pressure Cut Out
5	A35566-001	Suction Line	14	16-0401-02	Elbow
6	A32890-020	Evaporator	15	11-0424-01	Water Reg. Valve
7	03-1405-20	Cap Screw	16	A34341-001	Bracket
8	03-1407-07	Washer	17	A34291-001	Drain Assembly
9	18-2300-27	Sleeve	18	18-8716-23	Compressor 208-230/60/1
10	18-6800-01	Grommet		18-8716-25	Compressor 200-230/60/3
11	03-1645-01	Screw		18-8716-26	Compressor 220-240/50/1
					(all have internal overloads & 60 cycle have crankcase heaters)
			19	02-3319-02	Dryer

NM1852 SERVICE PARTS

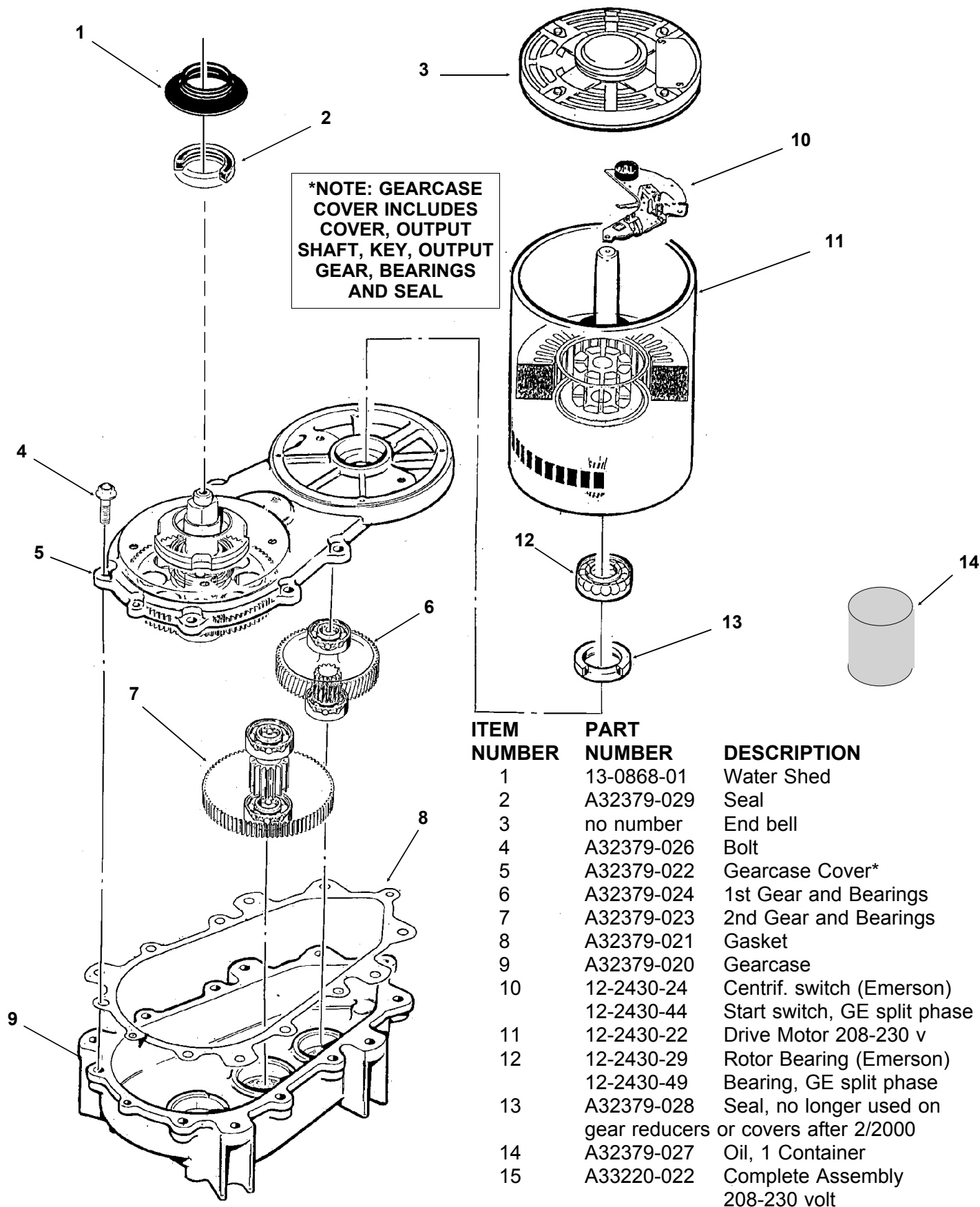
Water System



ITEM NUMBER	PART NUMBER	DESCRIPTION	ITEM NUMBER	PART NUMBER	DESCRIPTION
1	03-1405-41	Cap Screw	14	A37705-021	Drip Pan
2	A33101-022	Water Level Sensor	15	A27318-001	Water Inlet Fitting
3	A32890-020	Evaporator	16	03-1394-01	Pal Nut
4	02-2936-01	Res. Cover	17	13-0079-03	Res. Overflow, 8" req.
5	A32922-020	Float Assembly with pin housing seal, rubber seal, insert & float	18	A32282-001	Drain Casting, air cooled
6	02-3190-01	Rubber seat	19	13-0704-00	Gasket
7	A32929-020	Reservoir Assy Complete	20	02-2814-08	Clamps
8	A32777-001	Retaining Ring for seal	21	13-0674-06	Evap. Drain, 14" req.
9	16-0791-01	Half Union	22	13-0840-01	Plug
10	16-0162-00	Strainer	23	13-0674-06	Evap. Inlet Tube, 5" req.
11	13-0079-03	Tube, 6.5" req.	24	16-0670-01	Tee
12	16-0670-02	Tee	25	A33203-001	Tube, Preformed
13	02-0929-23	Water Seal	26	13-0079-03	Drain Tube, 24" req.
14	13-0868-01	Water Shed	27	03-1417-13	Lockwasher
			28	13-0230-00	Rubber cap
			29	02-2814-01	Clamp

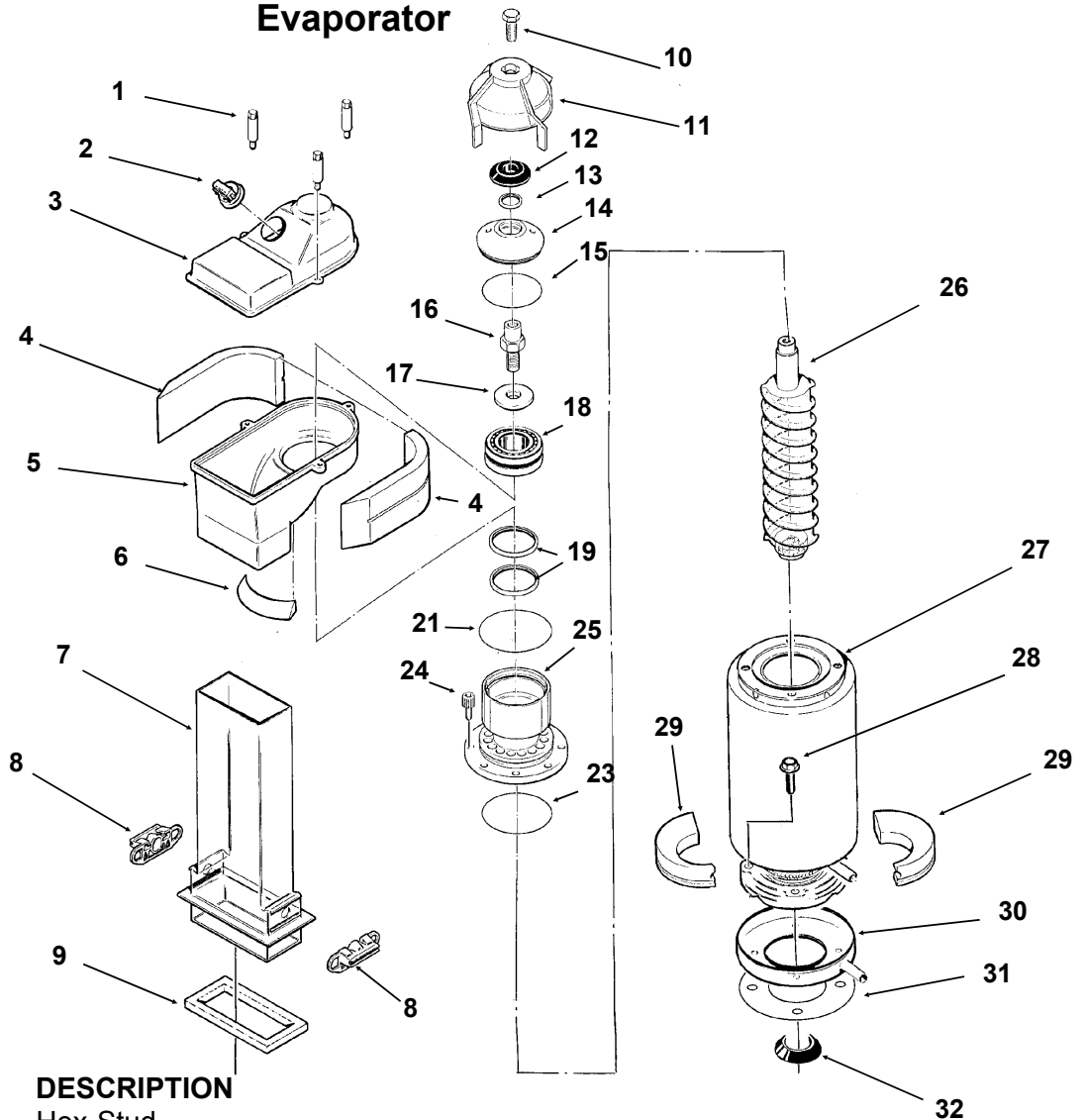
NM1852 SERVICE PARTS

Gearmotor



NM1852 SERVICE PARTS

Evaporator

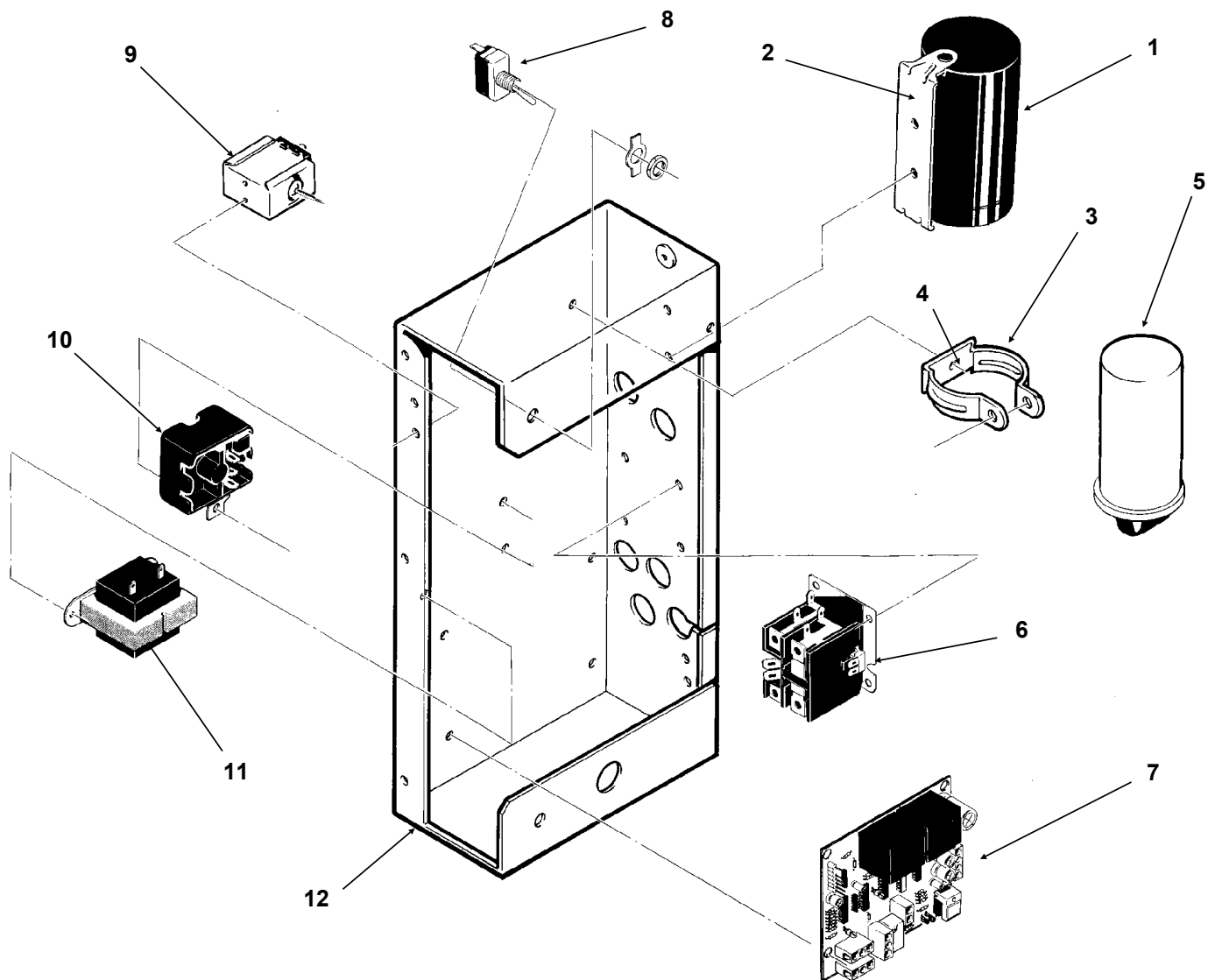


Bail clamp is pn
A34969-001

ITEM NUMBER	PART NUMBER	DESCRIPTION
1.	02-2933-01	Hex Stud
2.	A32891-020	Housing & Switch
3.	02-2930-01	Ice Chute Cover
4.	A32963-001	Insulation Top (half)
5.	02-2926-01	Ice Chute Body
6.	A33102-001	Insulation Collar Inside
7.	02-2929-01	Ice Chute Lower
8.	A37708-021	Bin Controls Assy. (set of 2)
9.	A32930-001	Chute Gasket
10.	03-1405-52	Hex Cap Screw
11.	02-3001-01	Ice Sweep
12.	13-0871-01	Water Shed
13.	02-2978-01	Lip Seal
14.	02-3128-20	Breaker Cover
15.	13-0617-52	O-Ring
16.	08-0660-01	Auger Stud, includes #17
17.	no number	Washer, part of #16
18.	A34559-020	Bearing
19.	02-2977-01	Lip Seal
20.	no number	O-Ring
21.	13-0617-54	O-Ring
22.	no number	O-Ring
23.	13-0617-45	O-Ring
24.	03-1544-08	Soc. Head Screw
25.	A32900-020	Breaker (includes 18 & 19)
26.	A38071-022	Auger
27.	A32890-020	Evaporator
28.	03-1420-03	Cap Screw
29.	A32962-001	Insulation Bot. (half)
30.	A37705-021	Drip Pan
31.	13-0704-00	Drip Pan Gasket
32.	13-0868-01	Water Shed
33.	A34969-001	Bail clamp, not shown.

NM1852 SERVICE PARTS

Control Box

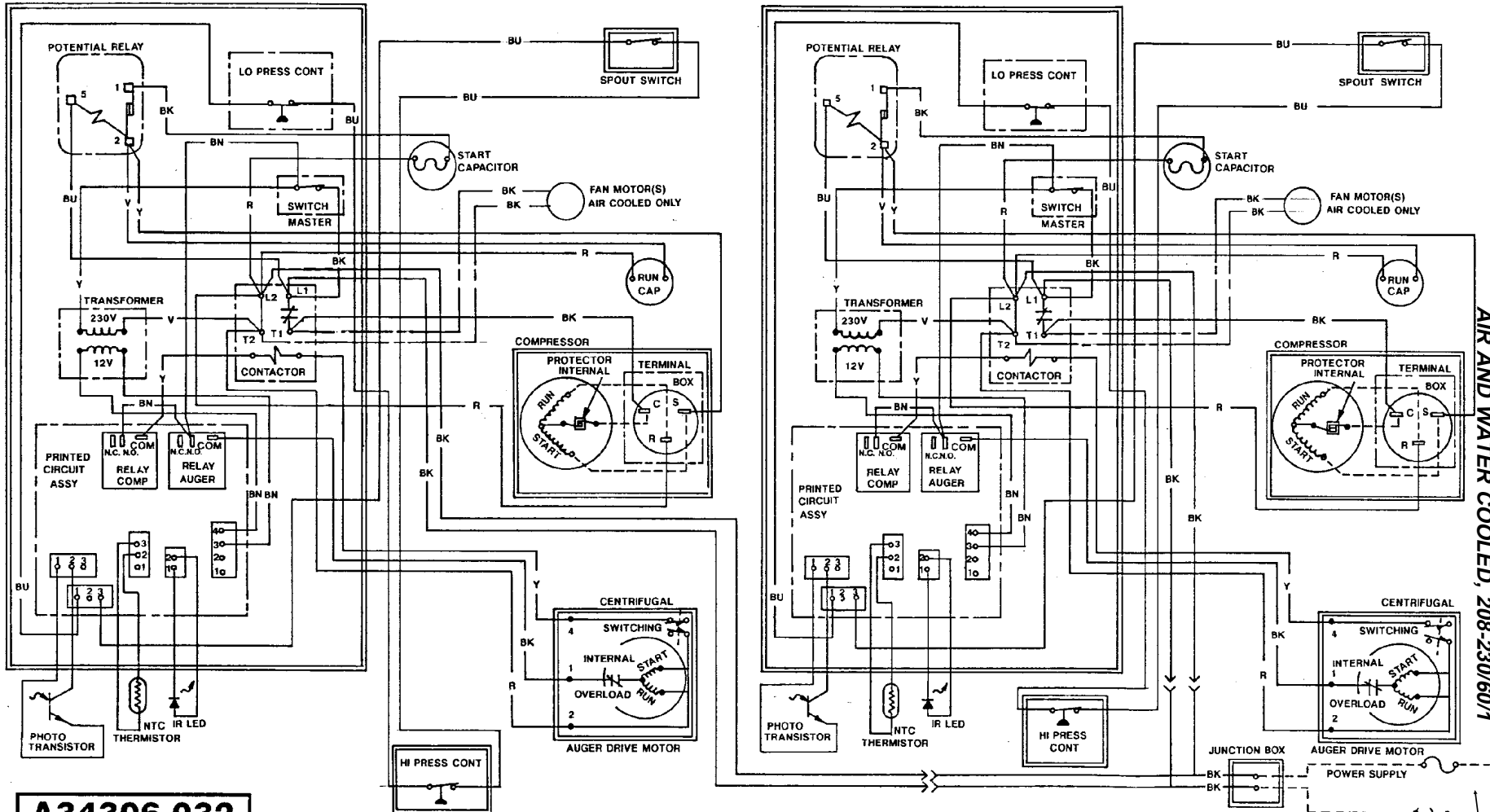


ITEM NUMBER	PART NUMBER	DESCRIPTION	ITEM NUMBER	PART NUMBER	DESCRIPTION
1	18-1901-15	Start Capacitor, 60 Hz	7	A37750-021	Circuit Board
	18-1901-23	Start capacitor, 50 Hz	8.	12-0426-01	Master Switch
	18-2200-38	Start Capacitor Cap.	9.	11-0447-20	Low Pressure Control
2.	18-2200-39	Start Capacitor Bracket	10	18-1903-33	Potential Relay, 60 Hz
	03-1638-04	Screw		18-1903-46	Potential relay, 50 Hz
	03-1417-15	Lockwasher	11.	12-2285-22	Transformer
3.	A32872-001	Run Cap Bracket	12	no number	Control Box
	03-1652-02	Bolt	NOT ILLUSTRATED		
	03-0255-04	Wing Nut	13.	12-2337-02	3 Pin Plug Assy
4.	03-1638-03	Screw	(Safety Circuit to Circuit Board)		
5.	18-1902-53	Run Capacitor, all	14.	12-2340-01	4 Pin Plug Assy
6.	12-2469-02	Single Phase Contactor	(Transformer to Circuit Board)		
	12-0739-02	Three Phase Contactor	15	A34055-001	Control Box Cover
			16	12-2350-01	Circuit board stand off

Hz = cycles. 50 Hz machines have a -6 at the end of the model number.

NM1852 SERVICE PARTS

AIR AND WATER COOLED, 208-230/60/1



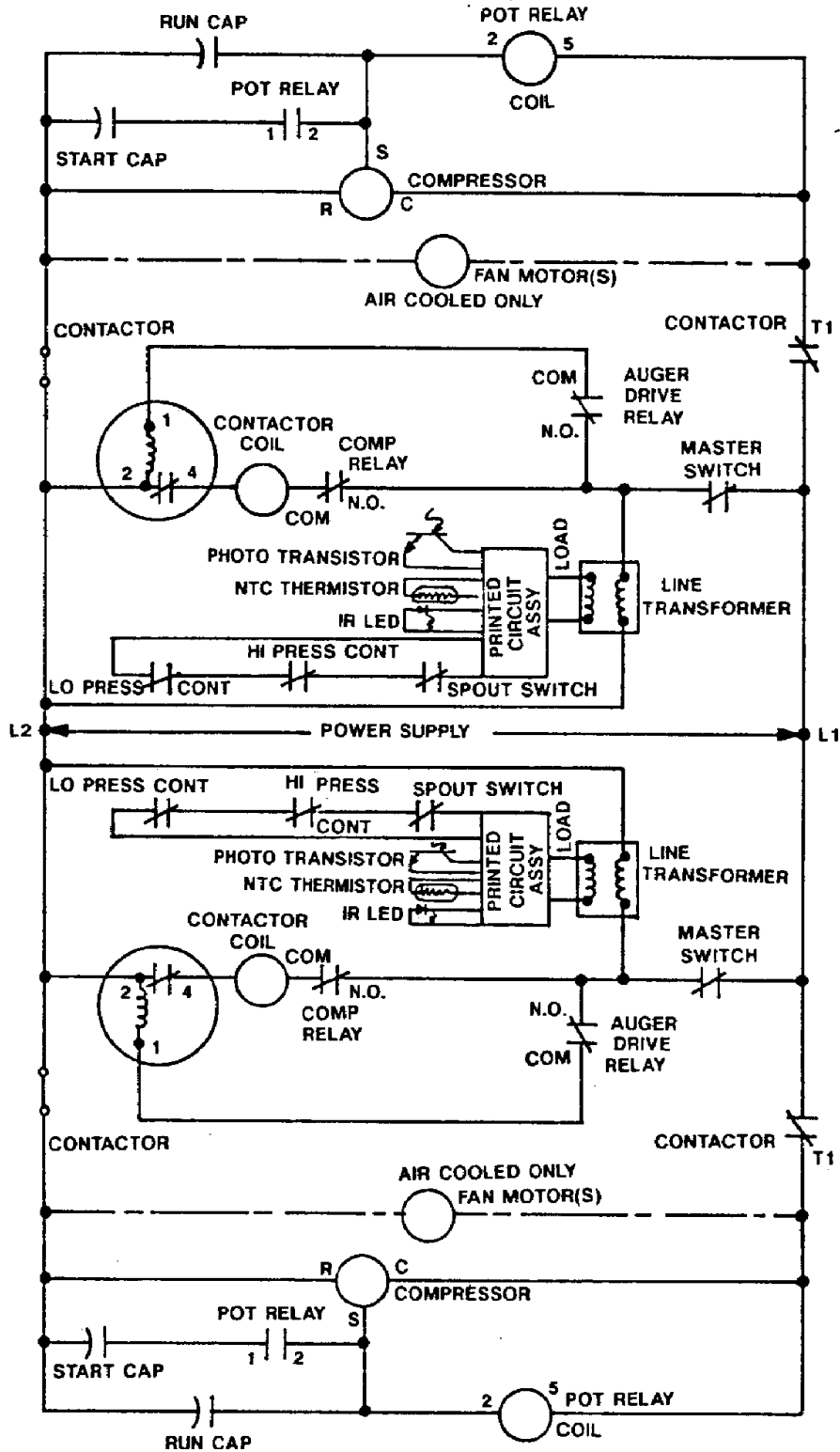
A34306-032

THIS UNIT MUST BE GROUNDED

POWER SUPPLY
SEE NAMEPLATE FOR
PROPER
REQUIREMENTS AND
MAX FUSE SIZE.
ALL POWER LEADS
MUST BE FUSED

NM1852 SERVICE PARTS

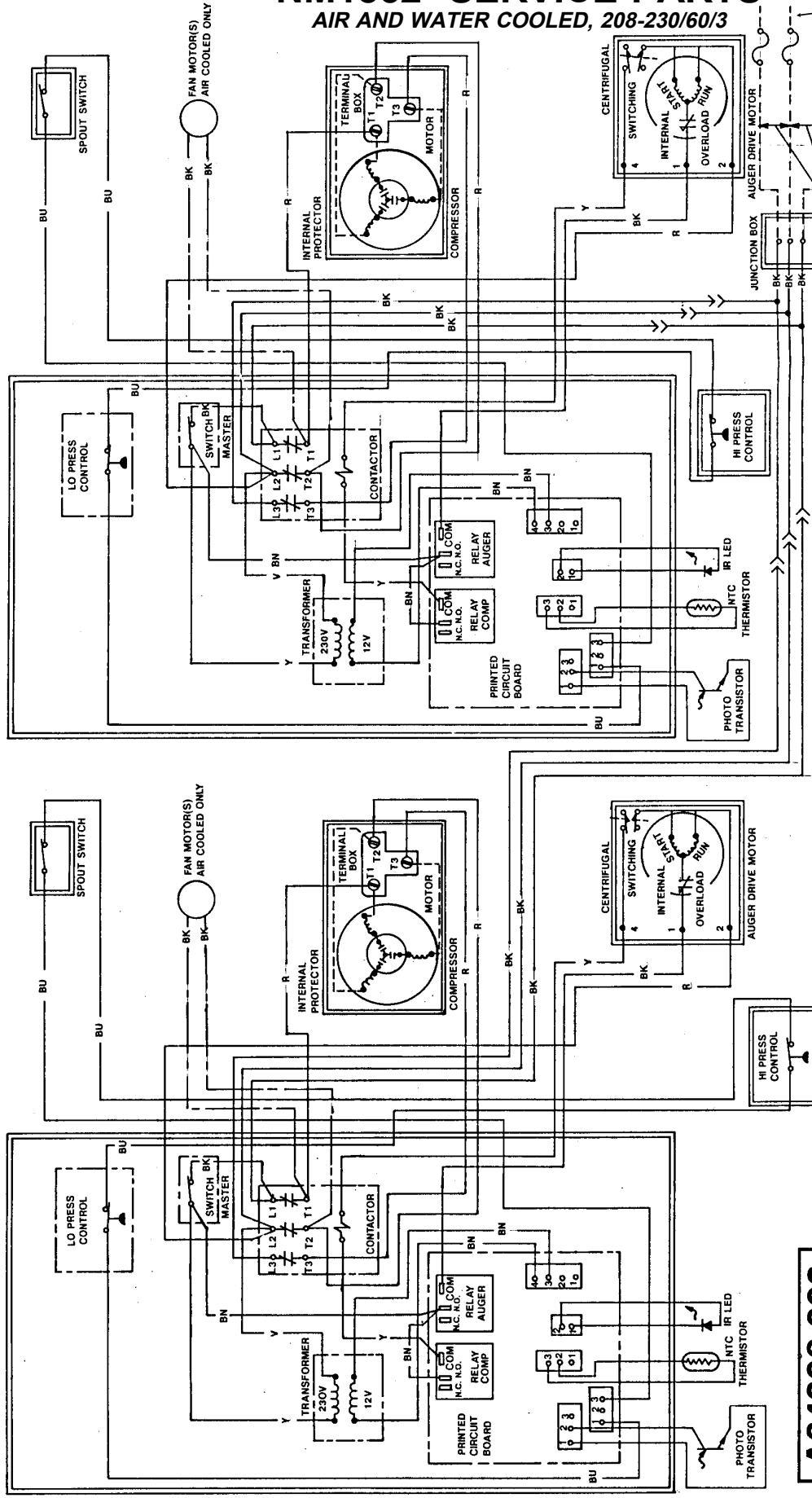
AIR AND WATER COOLED, 208-230/60/1



USE COPPER CONDUCTORS ONLY
ALL CONTROLS SHOWN IN NORMAL ICEMAKING MODE
THIS UNIT MUST BE GROUNDED

NM1852 SERVICE PARTS

AIR AND WATER COOLED, 208-230/60/3



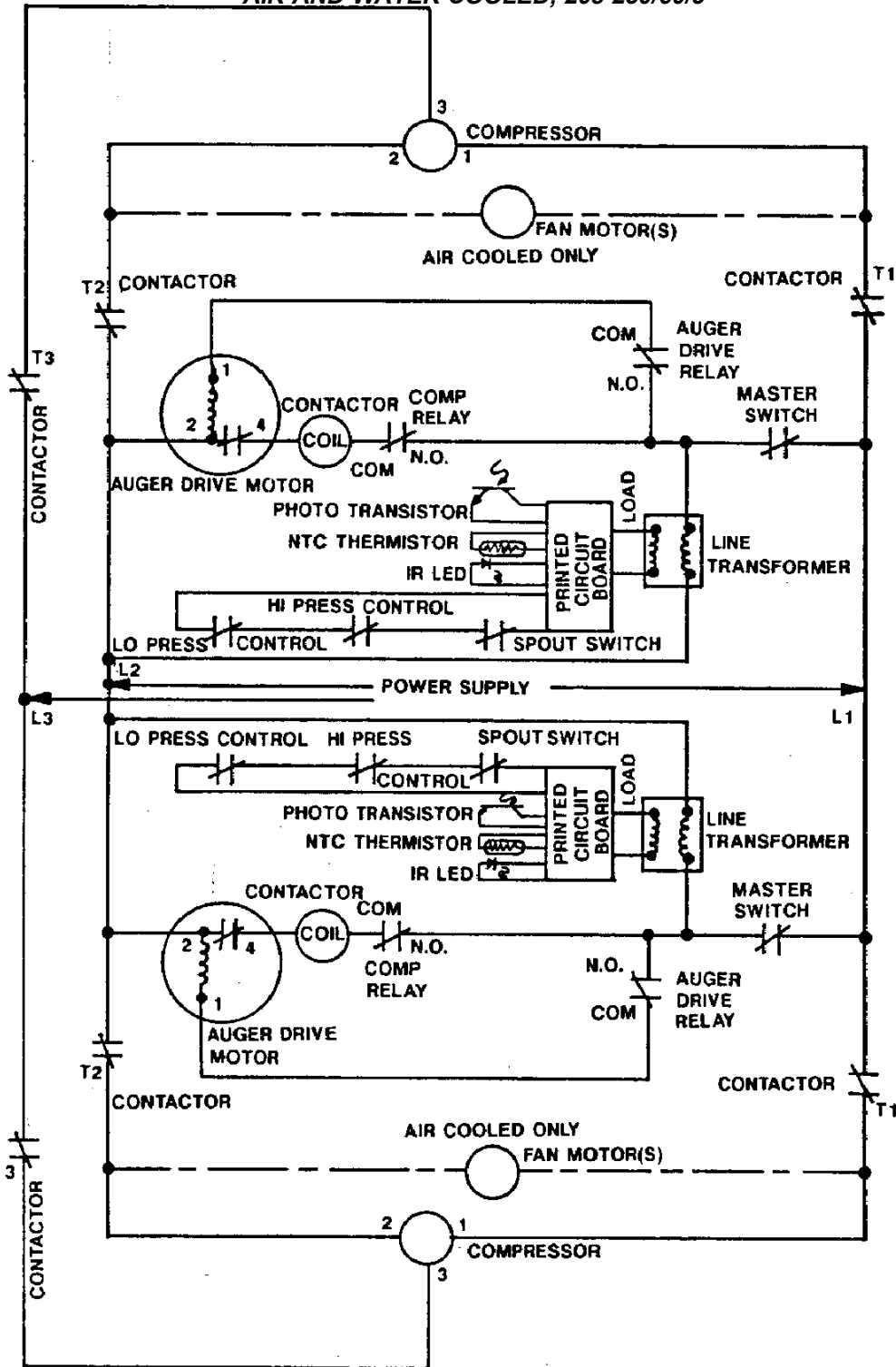
SEE NAMEPLATE FOR PROPER VOLTAGE REQUIREMENTS AND MAX FUSE SIZE

POWER SUPPLY
ALL POWER LEADS
MUST BE FUSED

A34306-003

NM1852 SERVICE PARTS

AIR AND WATER COOLED, 208-230/60/3



USE COPPER CONDUCTORS ONLY
ALL CONTROLS SHOWN IN NORMAL ICEMAKING MODE
THIS UNIT MUST BE GROUNDED