

# NME1250 SERVICE PARTS

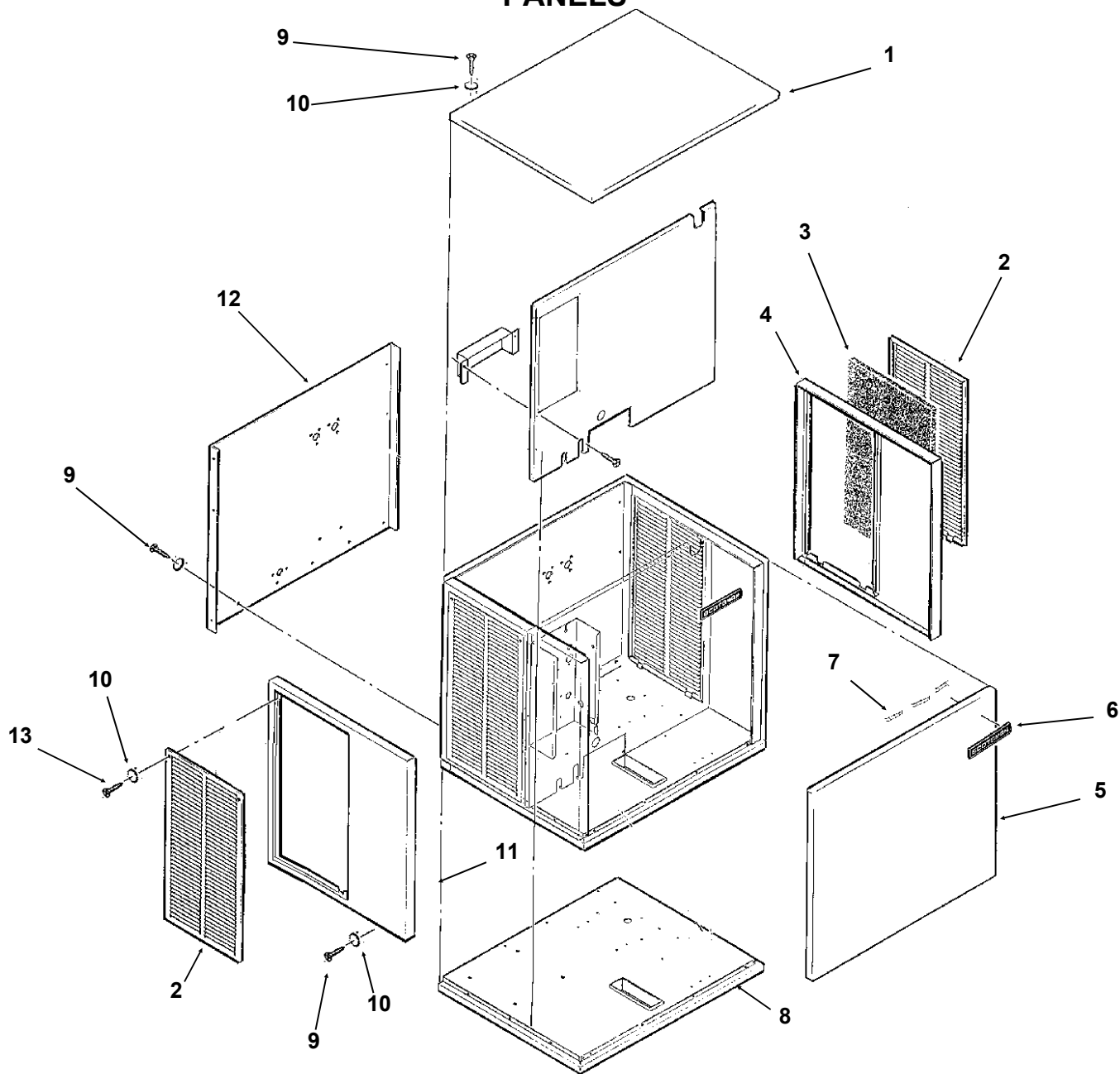
This parts list contains the part numbers and descriptions of the service parts for the NME1250 air and water cooled.

**Note: The liquid line filter drier listed in this parts list is designed for this refrigeration system. Premature failure may result if the wrong drier is used.**

## Table of Contents

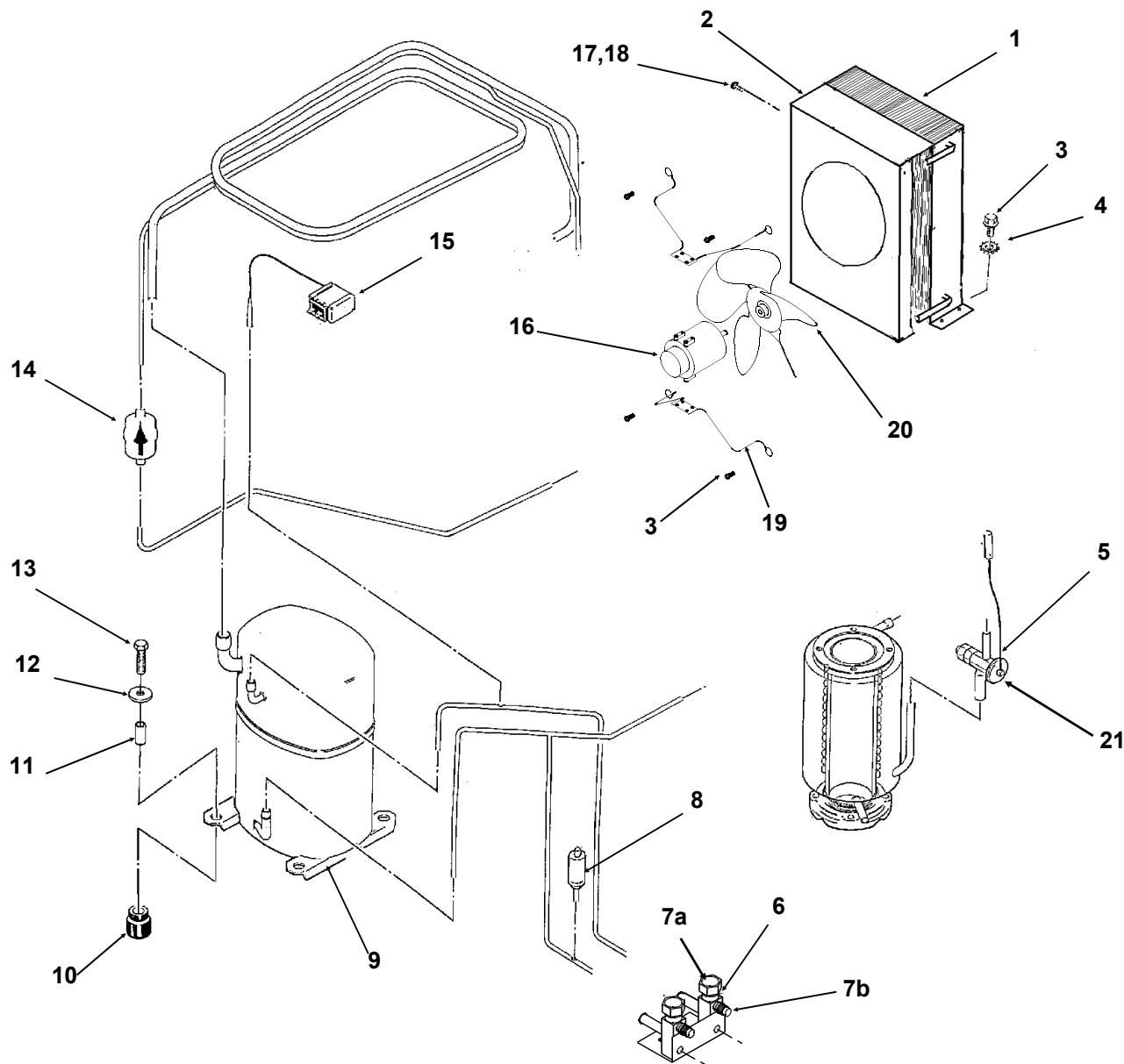
PANELS . . . . .	2
AIR COOLED REFRIGERATION . . . . .	3
WATER COOLED REFRIGERATION . . . . .	4
EVAPORATOR . . . . .	5
CONTROL BOX . . . . .	6
GEARMOTOR . . . . .	7
RESERVOIR, DRAINS, ICE CHUTE, ICE LEVEL SENSORS . . . . .	8
WIRING DIAGRAMS . . . . .	9

# NME1250 SERVICE PARTS PANELS



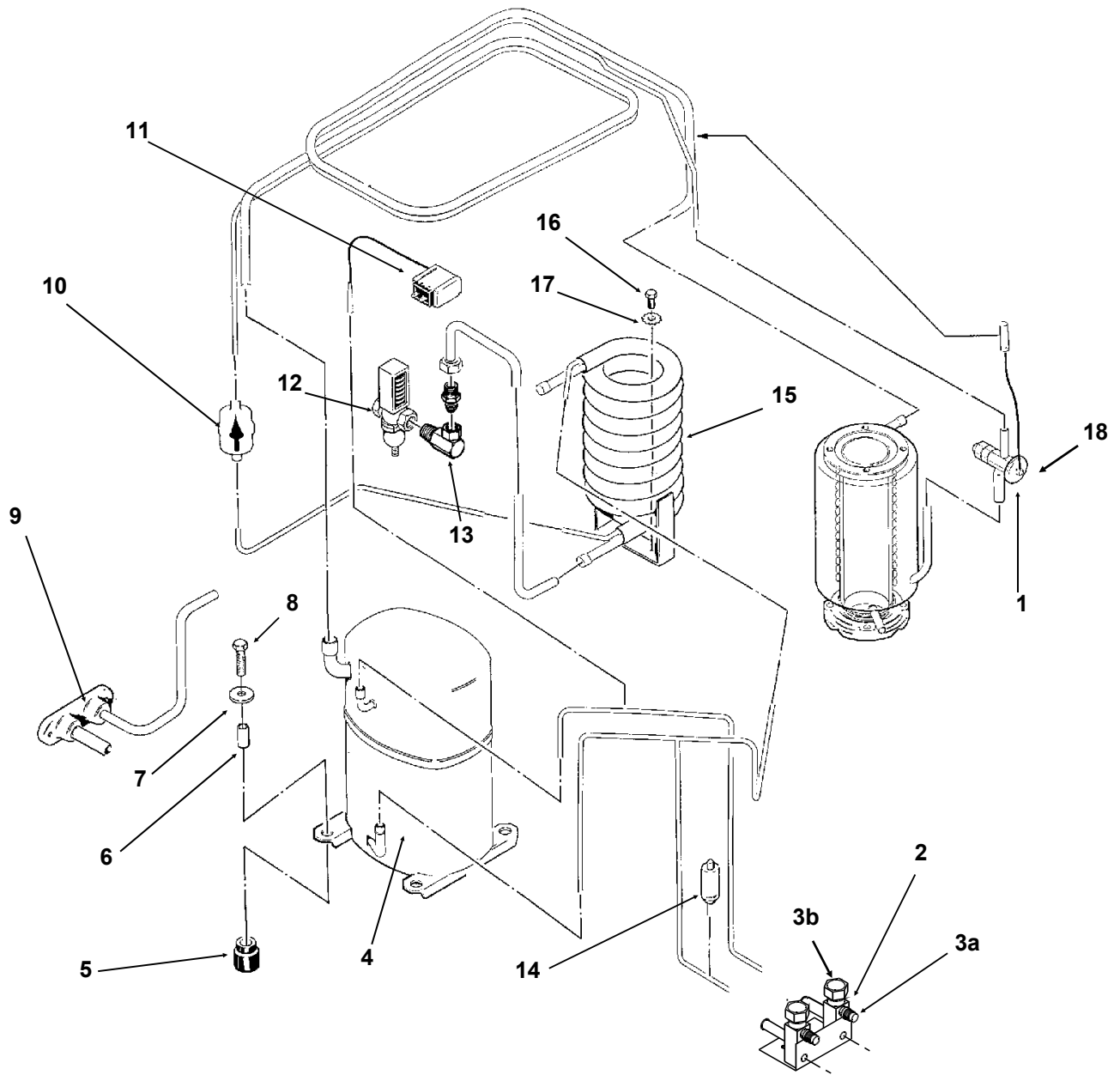
ITEM NUMBER	PART NUMBER	DESCRIPTION	ITEM NUMBER	PART NUMBER	DESCRIPTION
1.	A32159-001	Top Panel Sandalwood	6.	15-0711-01	Emblem for sandalwood
	A32159-015	Top panel, gray		15-0808-01	Emblem for SS or gray
	A32159-002	Top Panel Stainless	7.	03-0271-00	Clip For Emblem (3)
2.	A32161-001	Service Panel sandalwood	8.	A35955-001	Base Assembly
	A32161-015	Service panel, gray	9.	03-1531-01	Screw
	A33946-002	Service Panel for S.S.	10.	03-1417-27	Washer
3.	A32975-001	Filter (air cooled only)	11.	A32163-001	Left End Panel s-wood
4.	A32162-001	Right End Panel s-wood		A32163-015	Left end panel, gray
	A32162-015	Right end panel, gray		A32163-002	Left End Panel S.S.
	A32162-002	Right End Panel S.S.	12.	A32202-001	Back Panel sandalwood
5.	A32160-001	Front Panel sandalwood		A32202-002	Back panel ss
	A32160-015	Front panel, gray		A32202-003	Back panel, gray
	A32160-002	Front Panel S.S.	13.	03-1404-12	Screw

# NME1250 SERVICE PARTS AIR COOLED REFRIGERATION



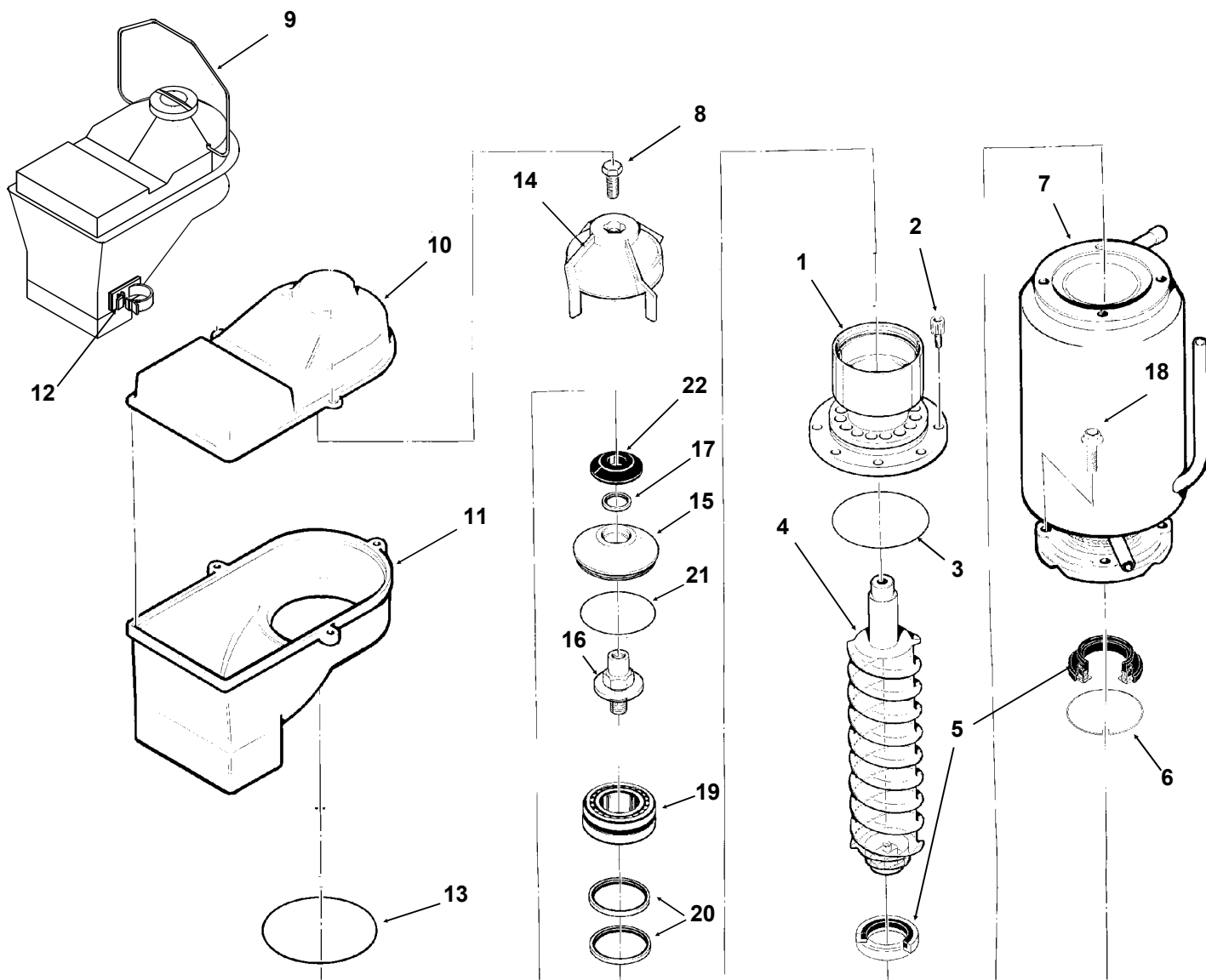
ITEM NUMBER	PART NUMBER	DESCRIPTION	ITEM NUMBER	PART NUMBER	DESCRIPTION
1.	18-8733-01	Air Cooled Conden.	10.	18-2200-28	Grommet
2.	A35717-001	Shroud	11.	18-2200-27	Sleeve
3.	03-1645-01	Bolt	12.	03-1407-07	Washer
4.	03-1417-09	Washer	13.	03-1405-20	Bolt
5.	11-0482-21	Expansion Valve	14.	02-3319-02	Drier
6.	16-0832-20	Access valve	15.	11-0447-20	L. P. Control
7a.	16-0832-02	Stem cap	16.	18-5105-02	Fan Motor
7b.	16-0832-03	Core cap		03-1531-08	Screws, motor to bracket
8.	11-0485-21	Pressure Control	17.	03-1404-03	Screw
9.	18-8726-23	208-230/60/1 Comp. w/drier This compressor has an internal overload.	18.	03-1417-27	Washer
			19.	02-3333-01	Fan Motor Bracket
			20.	18-3732-01	Fan Blade
			21.	A32961-020	Insulation for TXV

# NME1250 SERVICE PARTS WATER COOLED REFRIGERATION



ITEM NUMBER	PART NUMBER	DESCRIPTION	ITEM NUMBER	PART NUMBER	DESCRIPTION
1.	11-0482-21	Expansion Valve	8.	03-1405-20	Bolt
2.	16-0832-20	Access valve	9.	A32892-001	Drain
3a.	16-0832-03	Core cap	10.	02-3319-02	Drier
3b.	16-0832-02	Stem cap	11.	11-0447-20	Lo Press. Control
4.	18-8726-23	Compressor 208-230/60/1 Includes drier, Overload is internal	12.	11-0478-01	Water Reg. Valve
5.	18-2200-28	Grommet	13.	16-0401-02	Elbow
6.	18-2200-27	Sleeve	14.	11-0485-21	Pressure Control
7.	03-1407-07	Washer	15.	18-6900-25	Water Cooled Condenser
			16.	03-1645-01	Screw
			17.	03-1417-09	Washer
			18.	A32961-020	Insulation for TXV

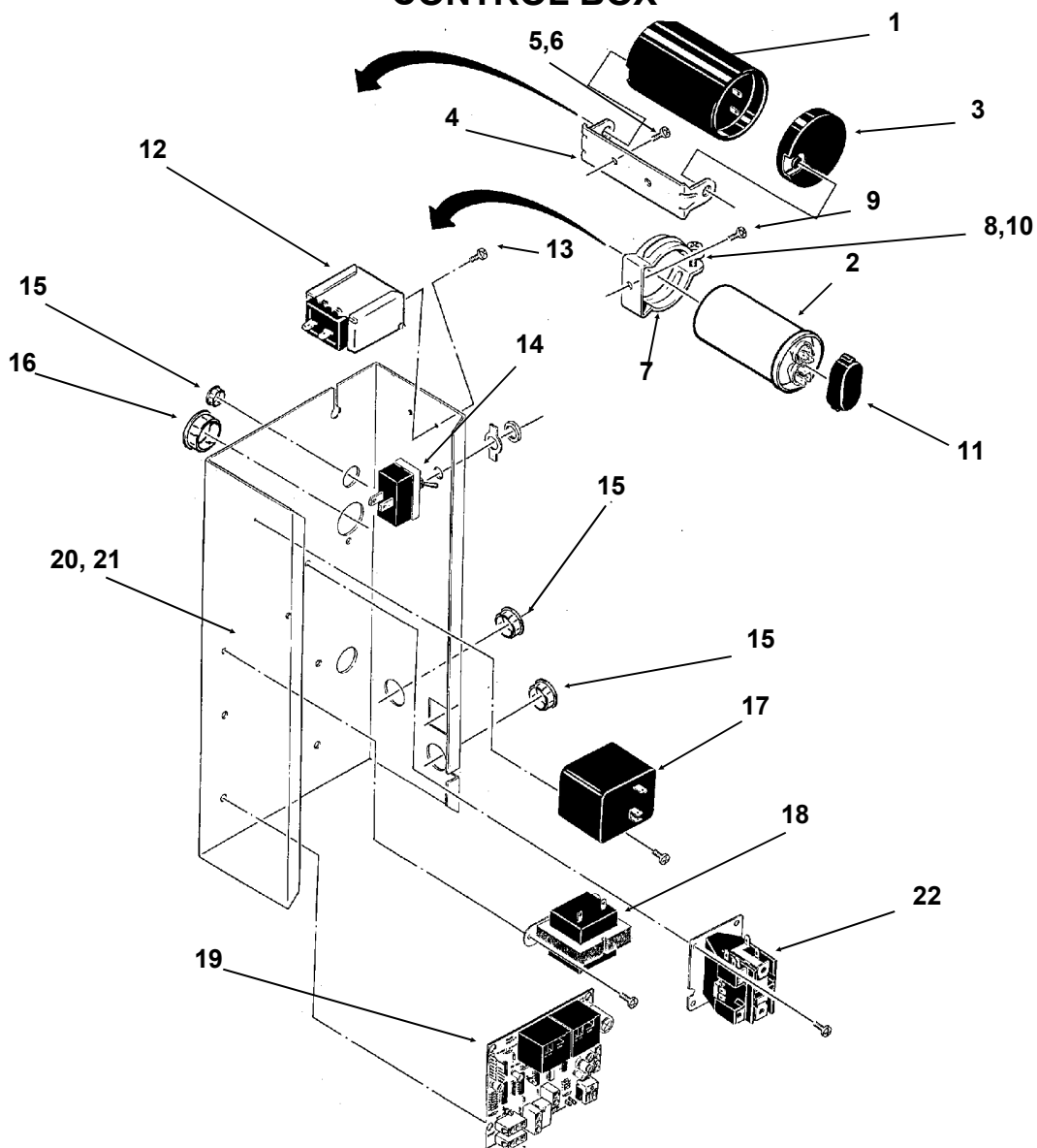
# NME1250 SERVICE PARTS EVAPORATOR



ITEM NUMBER	PART NUMBER	DESCRIPTION	ITEM NUMBER	PART NUMBER	DESCRIPTION
1.	A32900-020	Breaker Includes Items 3, 15, 17, 19, 20 721	10.	02-2930-04	Ice Chute Cover
2.	03-1544-08	Soc. head Screw	11.	02-3841-01	Ice Chute Body
3.	13-0617-45	O-ring	12.	02-3268-01	Drain hose clip
4.	A38071-022	Auger	13.	13-0617-52	O-ring
5.	02-0929-23	Water Seal	14.	02-3001-01	Ice Sweep
6.	A32777-001	Ring, Water Seal	15.	02-3128-20	Breaker Cover
7.	A32890-020	Evaporator	16.	08-0660-01	Auger Stud
8.	03-1405-52	Hex Cap Screw	17.	02-2978-01	Lip Seal
9.	A34969-001	Bail clamp	18.	03-1420-03	Cap screw
			19.	A34559-020	Bearing
			20.	02-2977-01	Lip Seal
			21.	13-0617-54	O-Ring
			22.	13-0871-01	Water Shed

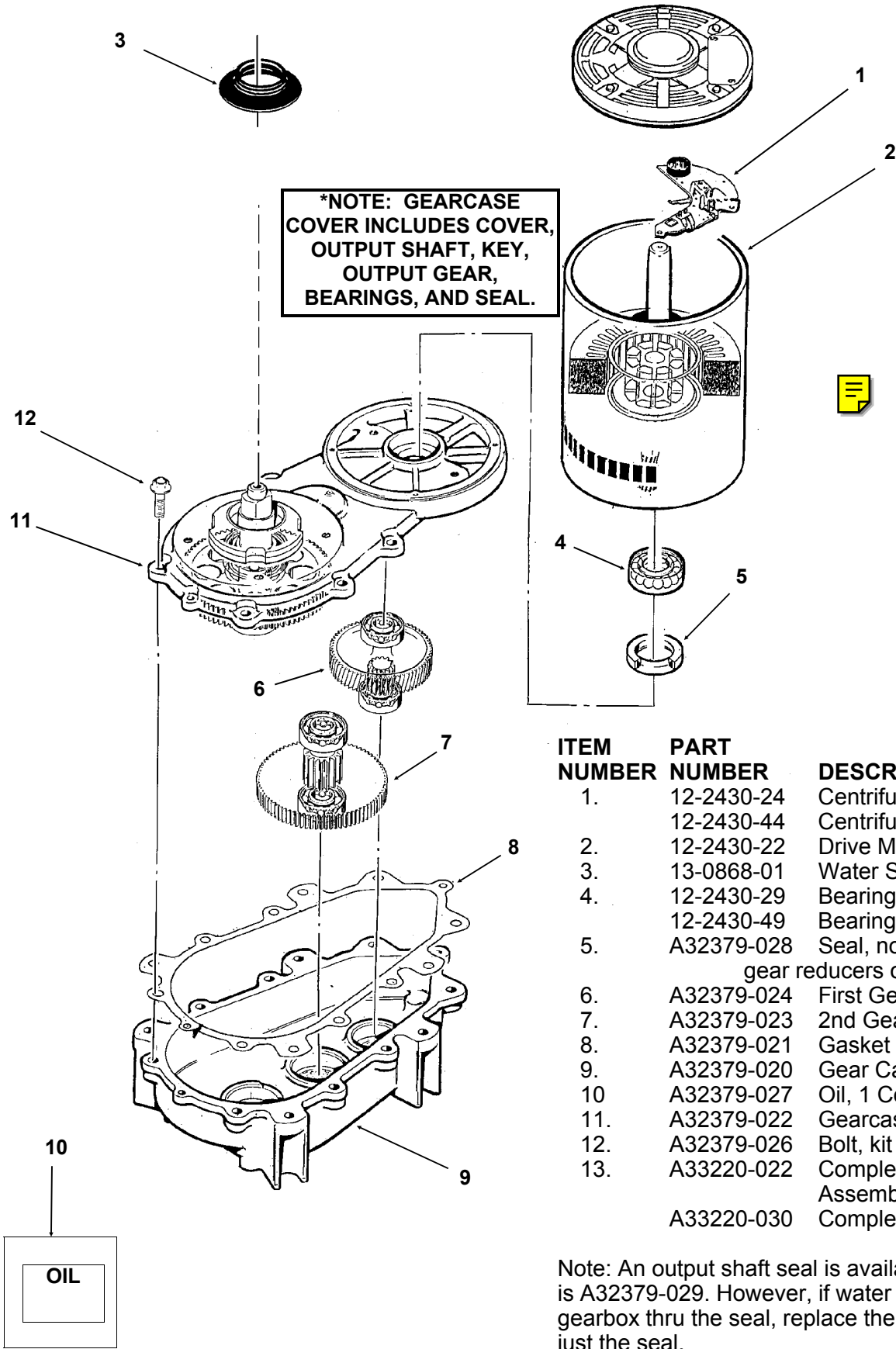
**Note:** Evaporator is not available assembled with internal parts.

# NME1250 SERVICE PARTS CONTROL BOX



ITEM NUMBER	PART NUMBER	DESCRIPTION	ITEM NUMBER	PART NUMBER	DESCRIPTION
1.	18-1901-15	Start Capacitor	15.	12-1213-10	Snap Bushing
2.	18-1902-53	Run Capacitor	16.	12-1213-11	Snap Bushing
3.	18-4300-50	Start Capacitor Cap	17.	18-1903-33	Relay
4.	18-2200-39	Start Cap. Bracket	18.	12-2285-22	Transformer
5.	03-1638-04	Screw	19.	A37750-021	Circuit Board
6.	03-1417-15	Lockwasher	20.	No Number	Control Box
7.	A32872-001	Run Cap. Bracket	21.	A32896-001	Cont. Box Cover
8.	03-1652-02	Bolt	22.	12-2469-02	1 Phase Contactor
9.	03-1638-03	Screw			
10.	03-0255-04	Wing Nut	NOT ILLUSTRATED:		
11.	13-0666-00	Terminal Cover	23.	12-2337-05	2 Pin Plug Assy (safety circuit to circuit board)
12.	11-0447-20	Low Press. Control	24.	12-2340-01	4 Pin Plug Assy (transformer to circuit board)
13.	03-1403-02	Screw			
14.	12-0426-01	Master Switch			

# NME1250 SERVICE PARTS GEARMOTOR

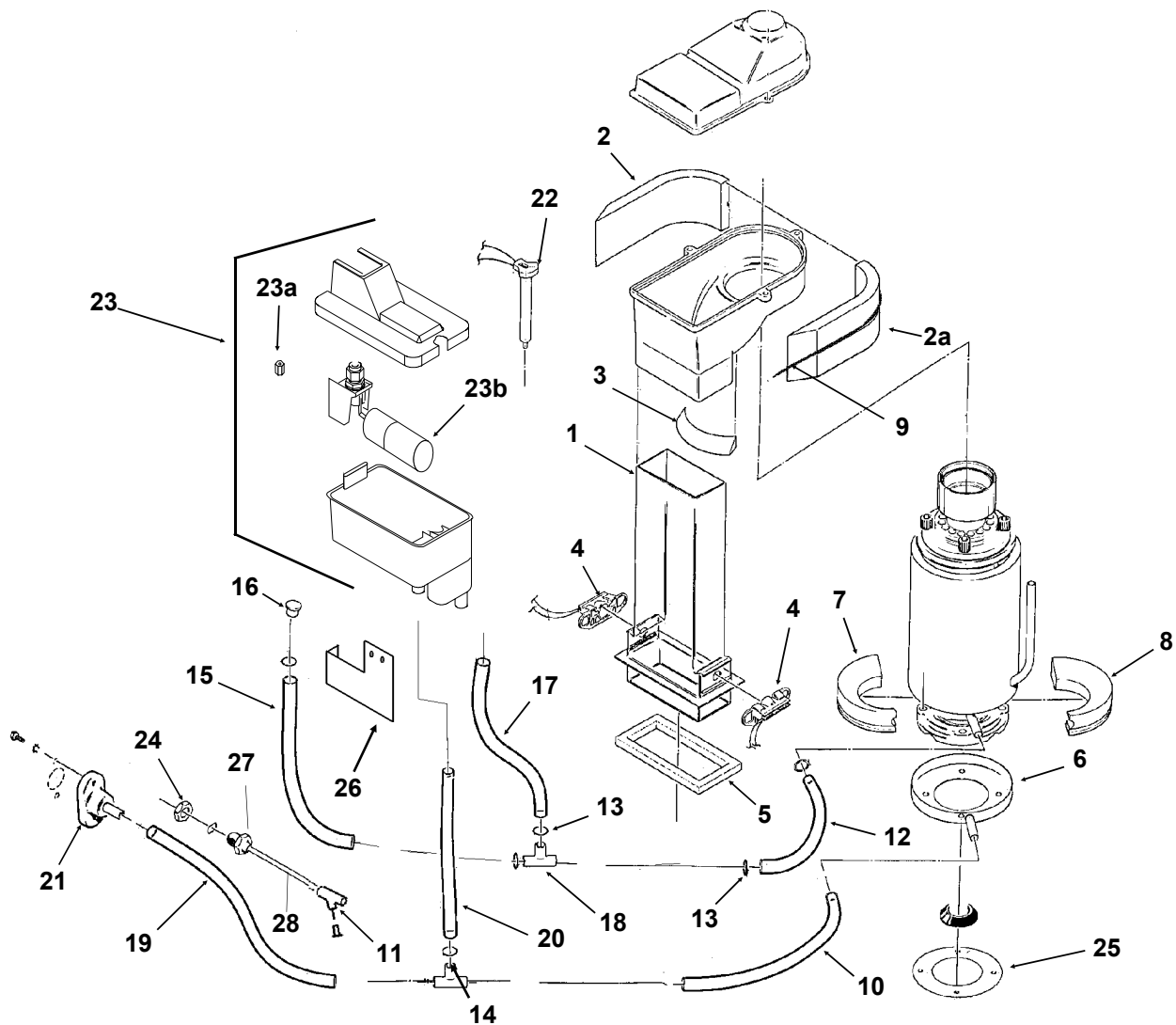


ITEM NUMBER	PART NUMBER	DESCRIPTION
1.	12-2430-24	Centrifugal Switch. Emerson
	12-2430-44	Centrifugal sw, GE split phase
2.	12-2430-22	Drive Motor 208-230 v
3.	13-0868-01	Water Shed.
4.	12-2430-29	Bearing, Emerson
	12-2430-49	Bearing, GE split phase
5.	A32379-028	Seal, not used on replacement gear reducers or covers after 2/2000
6.	A32379-024	First Gear & Bearing
7.	A32379-023	2nd Gear & Bearing
8.	A32379-021	Gasket
9.	A32379-020	Gear Case
10.	A32379-027	Oil, 1 Container
11.	A32379-022	Gearcase Cover*
12.	A32379-026	Bolt, kit of 6
13.	A33220-022	Complete Gearmotor Assembly. 208-230 v.
	A33220-030	Complete w/out motor

Note: An output shaft seal is available, the part number is A32379-029. However, if water has entered the gearbox thru the seal, replace the gearcase cover, not just the seal.

# NME1250 SERVICE PARTS

## RESERVOIR, DRAINS, ICE CHUTE, ICE LEVEL SENSORS

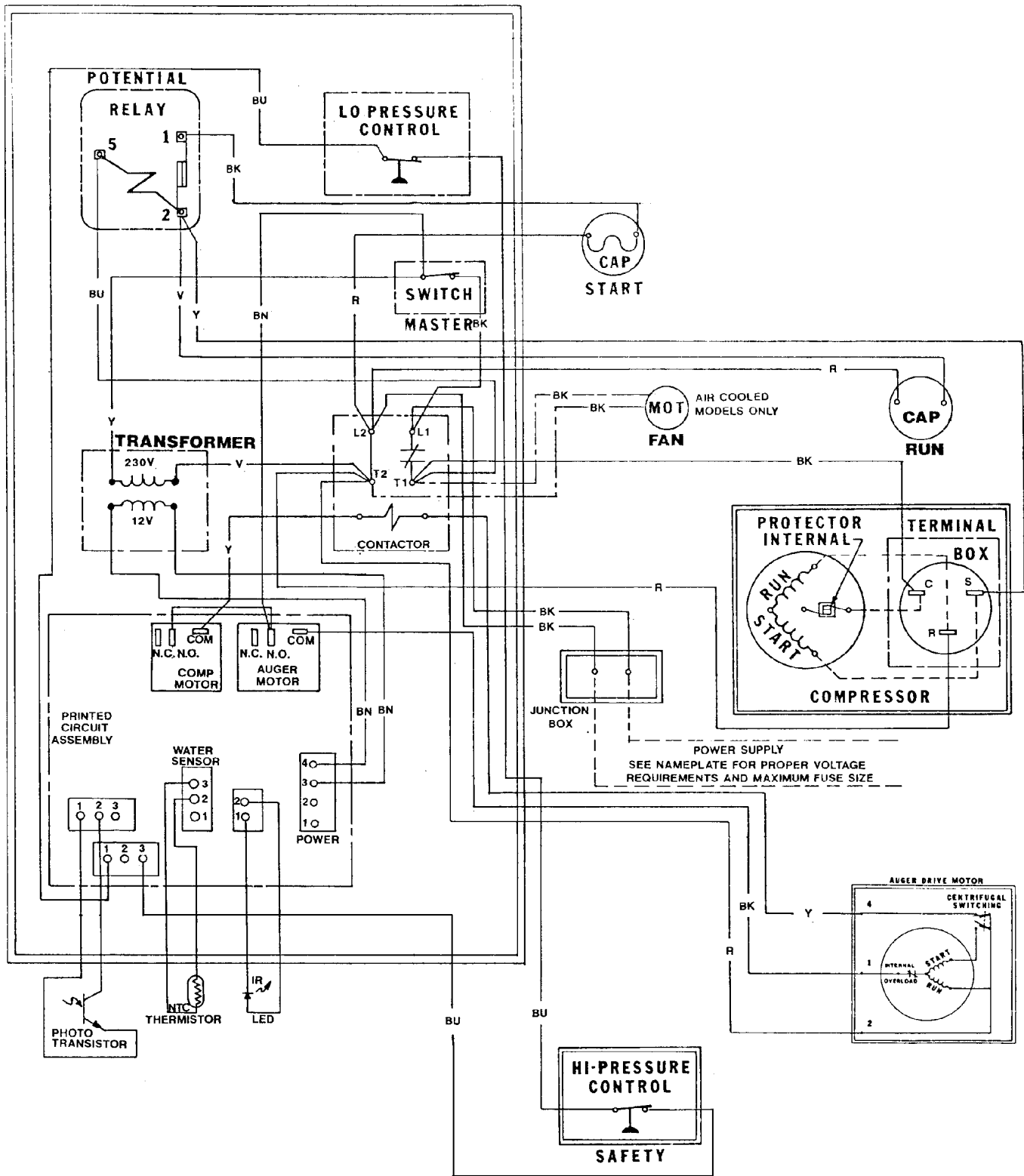


ITEM NUMBER	PART NUMBER	DESCRIPTION	ITEM NUMBER	PART NUMBER	DESCRIPTION
1.	02-2929-04	Ice Chute Lower	16.	13-0840-01	Plug
2.	A32963-002	Insulation collar top	17.	13-0674-06	Tube, 9" Order By Ft.
2a	A32963-001	Insulation collar, top	18.	16-0670-02	Tee
3.	A33102-001	Insulation Collar Inside	19.	13-0079-03	Tube, 18" Order By Ft.
4.	A33117-020	Ice level sensor set	20.	13-0079-03	Tube, 12" Order By Ft.
5.	A32930-001	Chute Gasket	21.	02-3692-22	Drain - Air Cooled
6.	02-3837-01	Drip Pan		A32892-001	Drain - Water Cooled
7.	A32962-001	Insulation Collar Bottom	22.	A33101-022	Thermo Probe
8.	A32962-002	Insulation Collar Bottom	23.	02-3266-20	Float & Reservoir complete
9.	A35419-020	Strap kit	23a	02-3266-03	Seat/plunger
10.	13-0079-03	Hose 9" Order By Ft.	23b	02-3266-21	Float valve
11.	16-0162-00	Strainer - not used after 11/97	24.	03-1394-01	Pal Nut
12.	A33203-001	Preformed Hose	25.	13-0704-00	Drip pan gasket
13.	02-2814-08	Hose Clamp	26.	A35956-001	Reservoir bracket
14.	16-0670-01	Tee	27.	16-0835-01	Inlet fitting for plastic tube
15.	13-0674-06	Tube, 11" Order By Ft.	28.	13-0835-01	Plastic inlet tubing, use began 11/97.



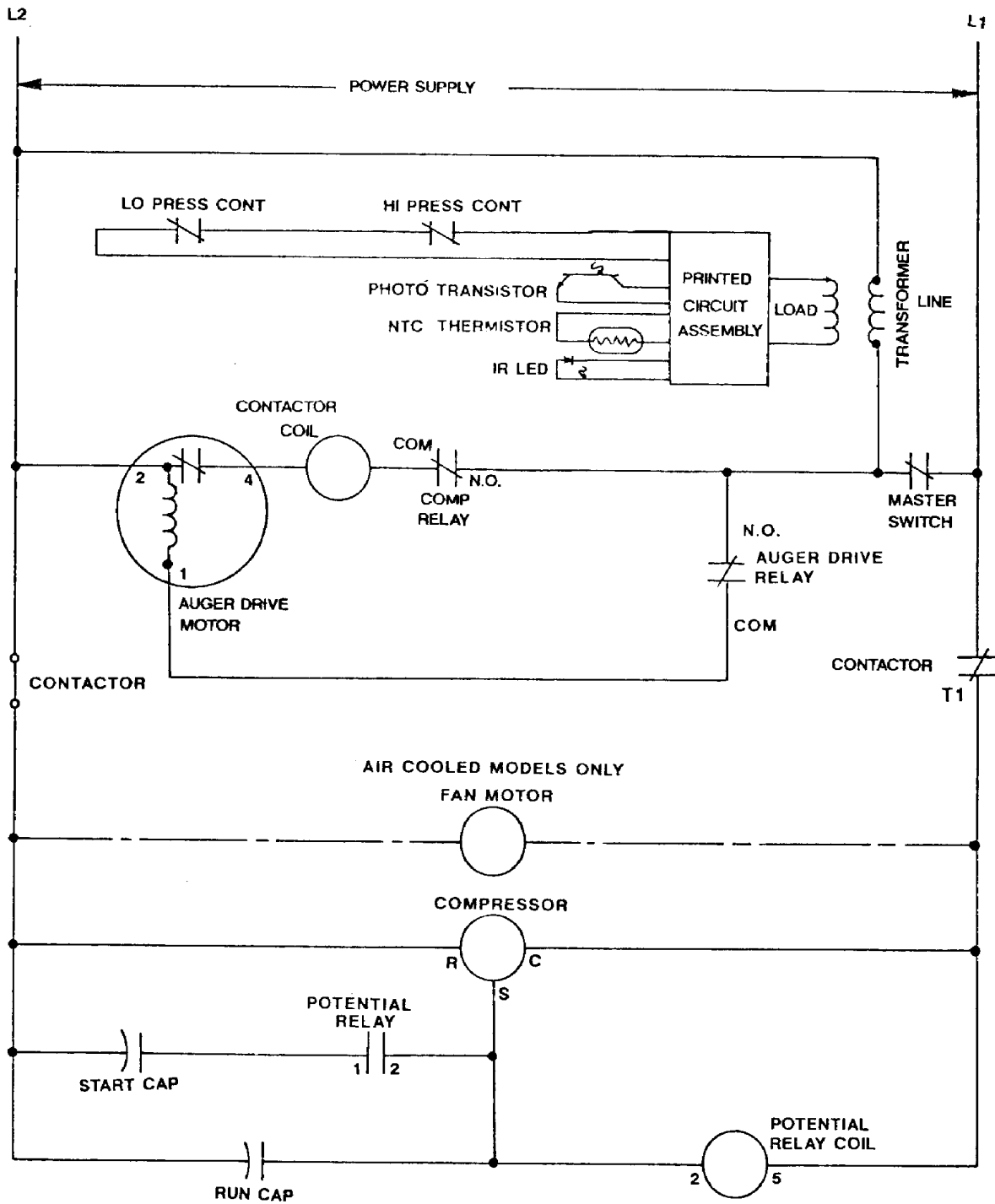
# NME1250 SERVICE PARTS

## Component Layout Diagram Air and Water Cooled, 208-230/60/1



# NME1250 SERVICE PARTS

## Schematic Diagram, Air and Water Cooled 208-230/60/1



**USE COPPER CONDUCTORS ONLY**  
**ALL CONTROLS SHOWN IN NORMAL ICEMAKING MODE**  
**THIS UNIT MUST BE GROUNDED**