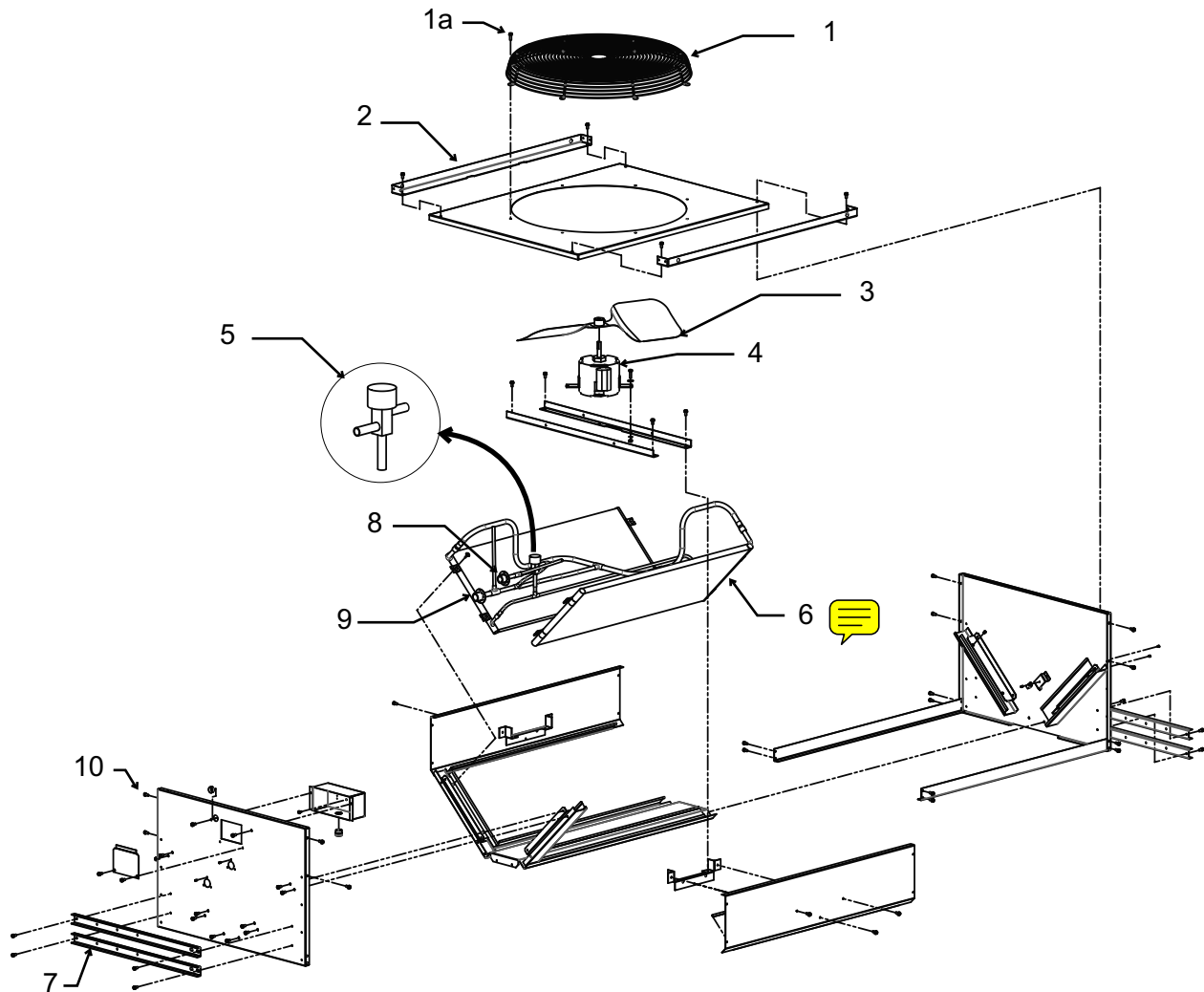
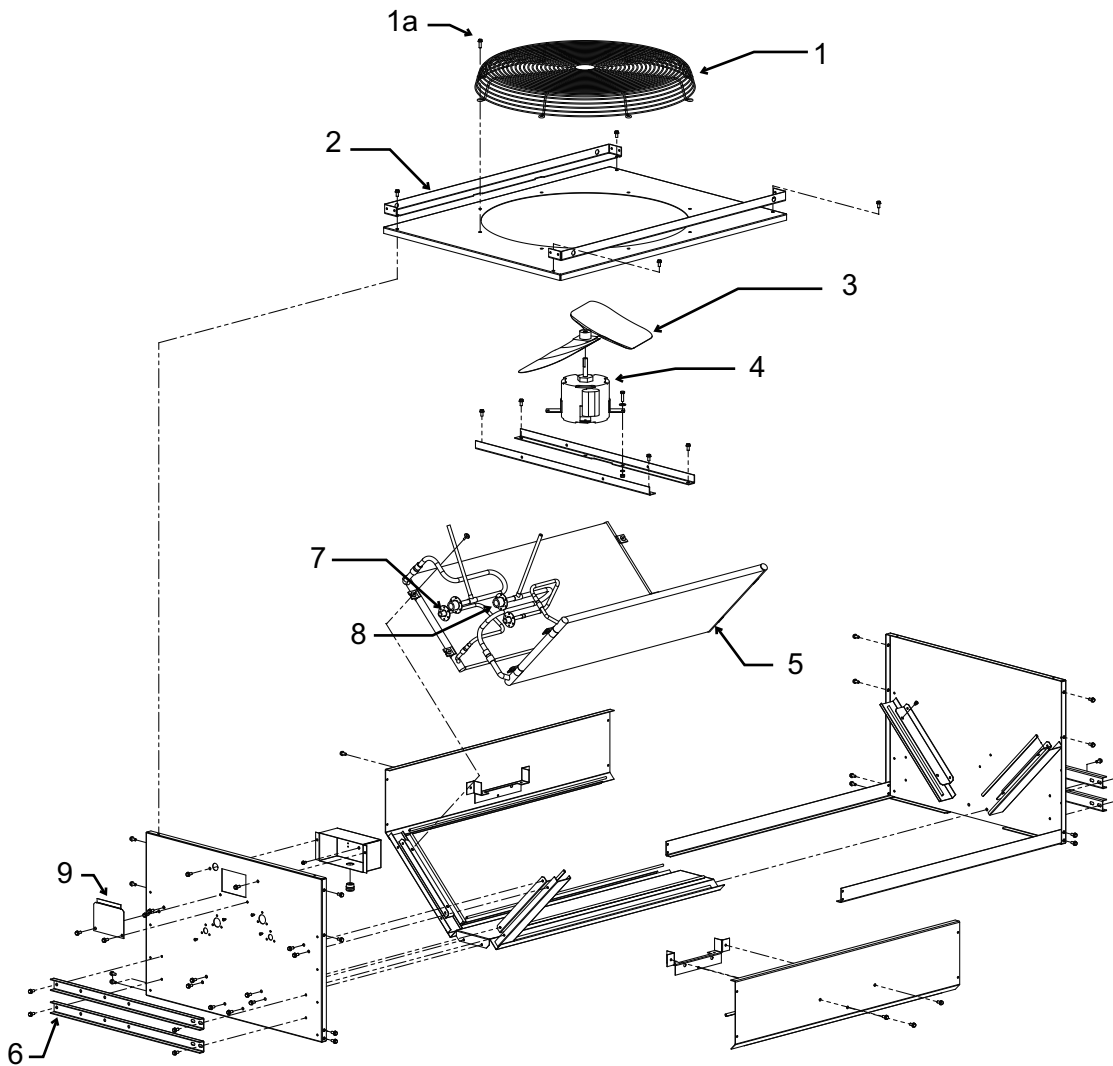


# PRC Series Remote Condenser - PRC241



Item Number	Part Number	Description	Not Shown:
1	02-3770-01	Fan Guard	
1a	03-1645-03	Screw	
2	A39756-001	Leg brace	
3	18-8820-01	Fan blade	
4	12-2717-01	Fan motor	
	18-8878-01	Fan motor capacitor	
5	11-0422-22	Head pressure valve	
6	18-8945-22	Condenser coil	
7	A37169-001	Leg	
8	16-0850-01	Liquid quick connect	
9	16-0850-05	Disch. quick connect	
10	03-1645-01	Screw, fits legs & other	
			KTEL4
			set of 4 line set ends

# PRC Series Remote Condenser - PR2C240



Item Number	Part Number	Description
1	02-3770-01	Fan Guard
1a	03-1645-03	Screw
2	A39756-001	Leg brace
3	18-8820-01	Fan blade
4	12-2717-01	Fan motor
	18-8878-01	Fan motor capacitor
5	18-8945-22	Condenser coil
6	A37169-001	Leg
7	16-0850-01	Liquid quick connect
8	16-0850-05	Disch. quick connect
9	03-1645-01	Screw, fits legs & other