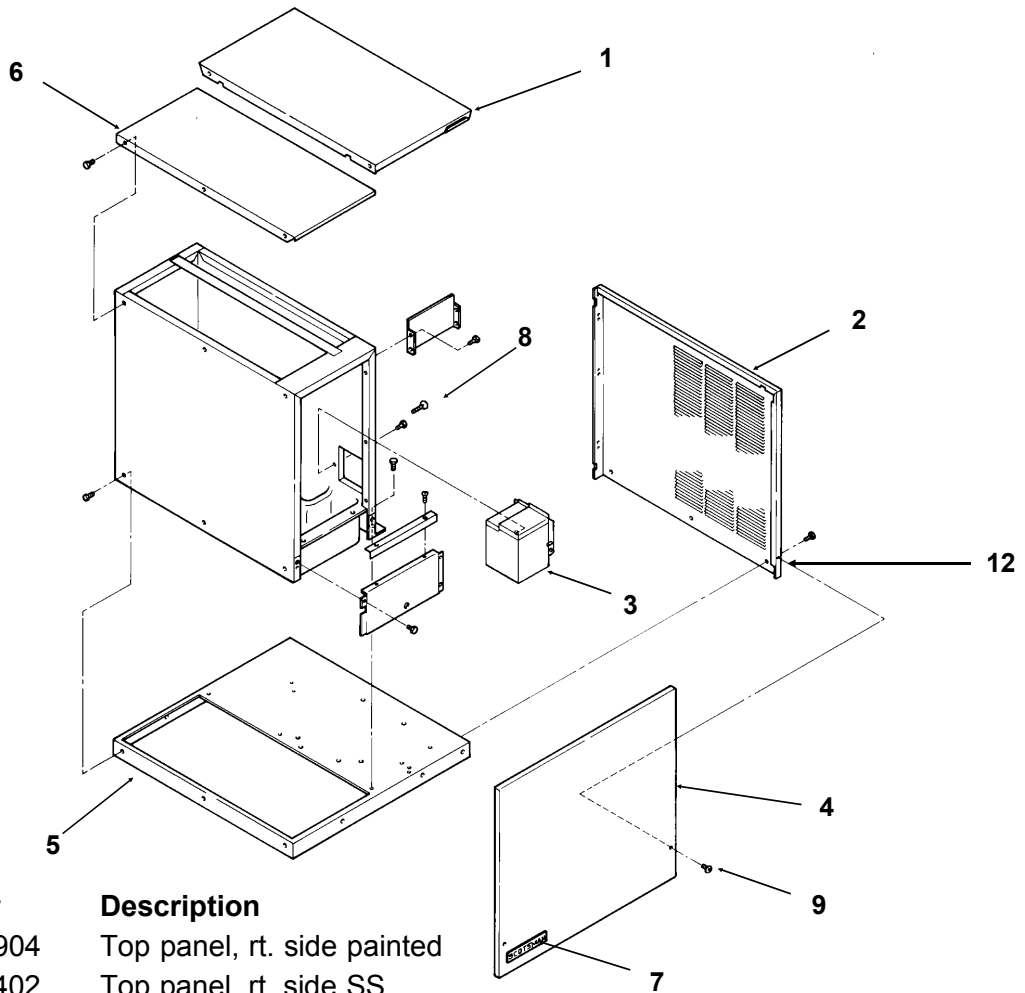


SLC400 Service Parts

Table of Contents

Cabinet	page 2
Air Cooled	page 3
Water Cooled	page 4
Freezing Compartment & Water System	page 5
Control Box	page 6
Bins	page 7
Wiring Diagram	page 8

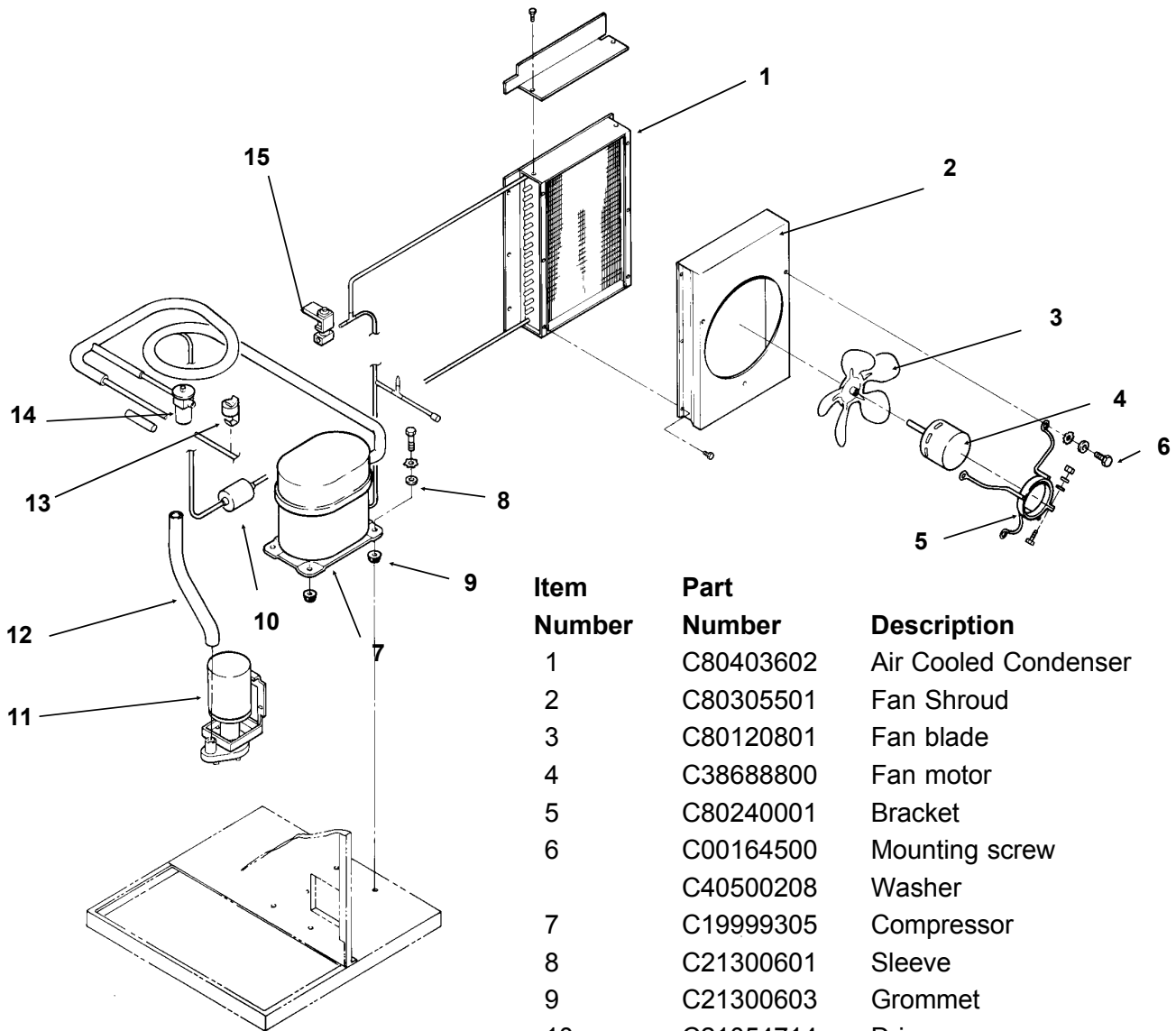
SLC400 Service Parts Cabinet



Item Number	Part Number	Description
1	C80472904	Top panel, rt. side painted
	C80300402	Top panel, rt. side SS
2	C80472802	Right side panel, painted
	C80472902	Right side panel, SS
3	C80449201	Pump cover
4	C80316006	Front panel complete, painted
	C80316007	Front panel complete, SS
	C39902100	Gasket, order per foot. 49" req.
	C80306201	Liner
5	C80285402	Compressor deck, metal only
	C80317301	Base liner
6	C80304604	Top panel, lft side painted
	C80304602	Top panel, lft side SS
7	15-0711-01	Emblem, brown
	15-0711-02	Emblem, grey
8	C44695102	Thumbscrew
9	C38990905	Screw
Not Illustrated		
10	C35926400	Thumbscrew for bin thermo bracket
11	C34196202	Bin thermostat bracket
12	C43210900	Insert - screw

SLC400 Service Parts

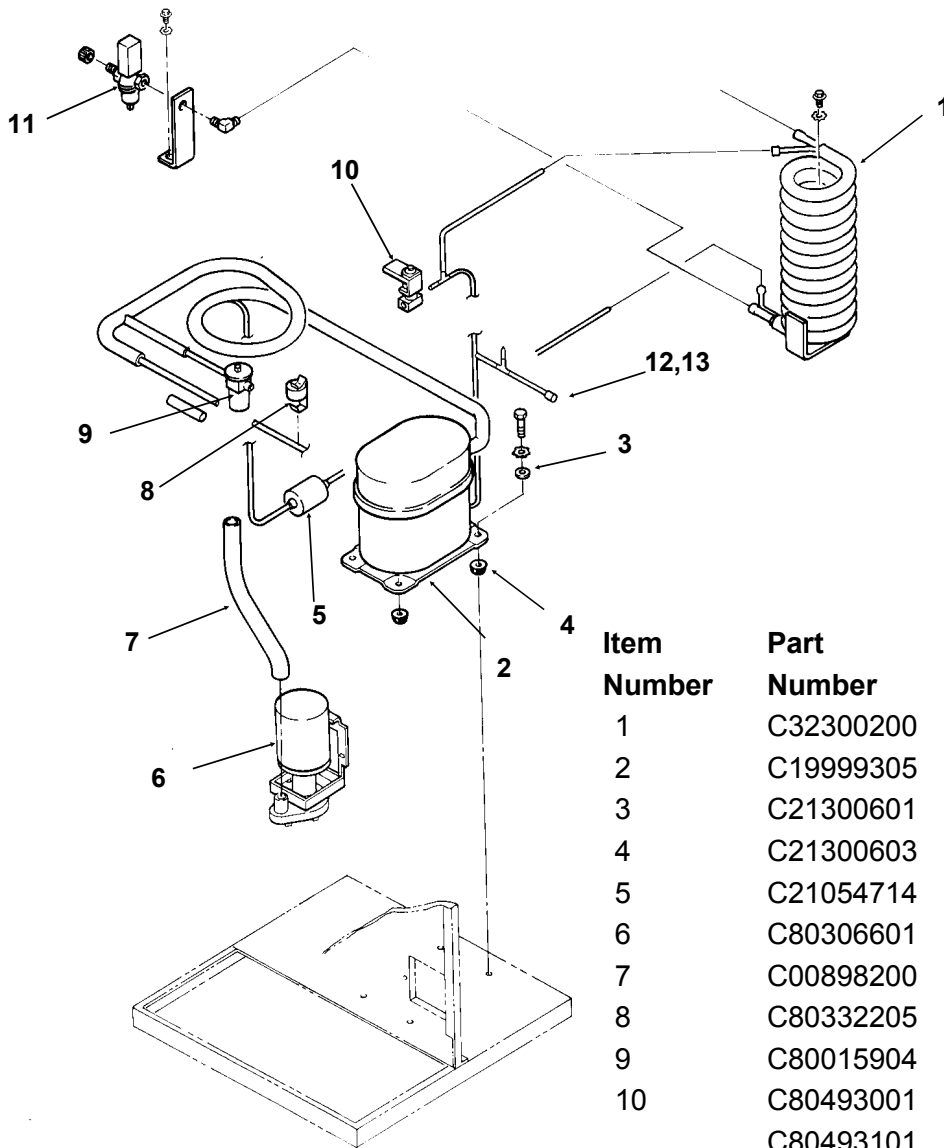
Air Cooled Refrigeration



Item Number	Part Number	Description
1	C80403602	Air Cooled Condenser
2	C80305501	Fan Shroud
3	C80120801	Fan blade
4	C38688800	Fan motor
5	C80240001	Bracket
6	C00164500	Mounting screw
	C40500208	Washer
7	C19999305	Compressor
8	C21300601	Sleeve
9	C21300603	Grommet
10	C21054714	Drier
11	C80306601	Water pump
12	C00898200	Tube
13	C80332205	Harvest termination thermostat
14	C80015905	Thermo Exp. Valve -AC only
15	C80493001	Hot gas valve body
	C80493101	Hot gas valve coil

SLC400 Service Parts

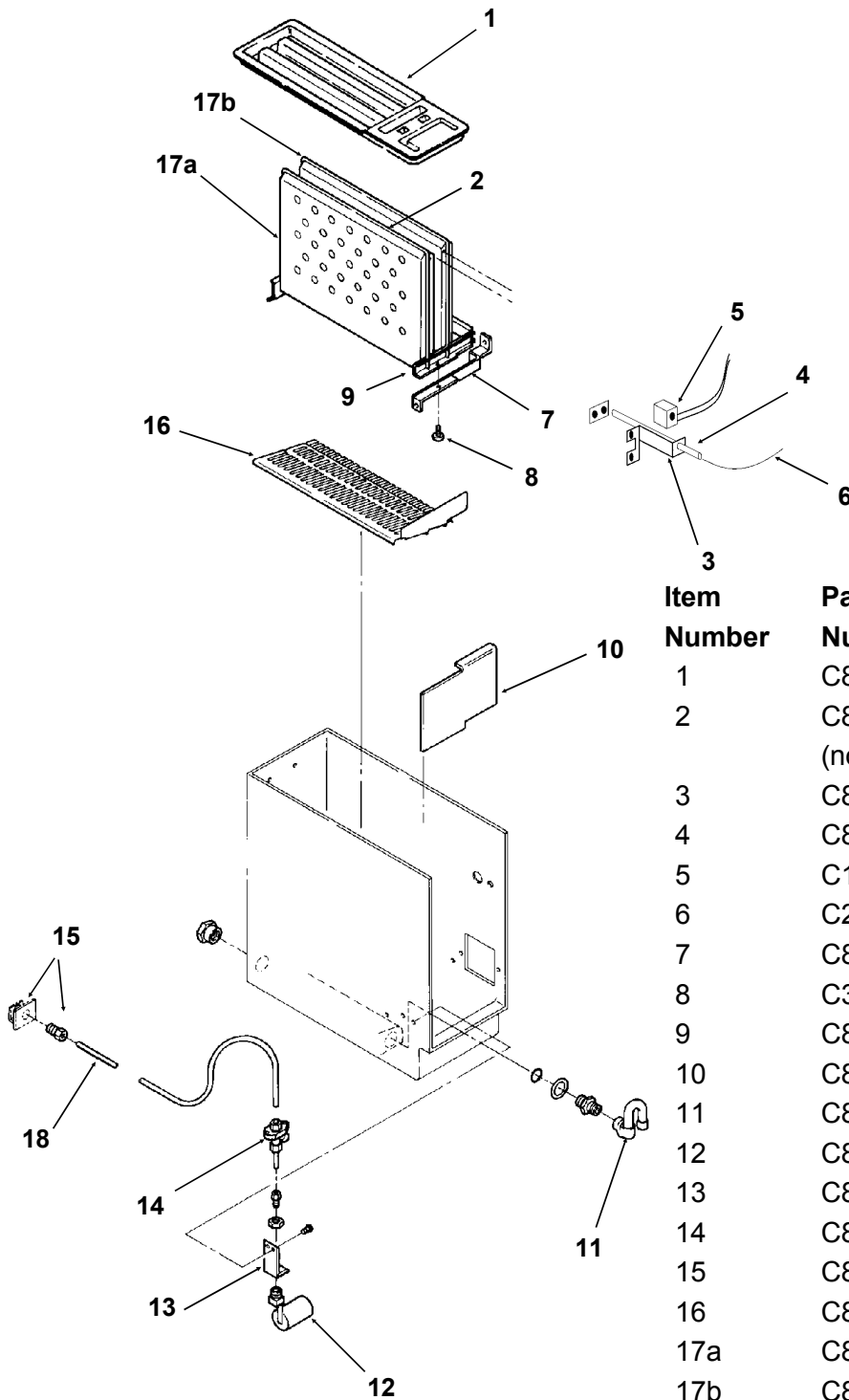
Water Cooled Refrigeration



Item Number	Part Number	Description
1	C32300200	Water cooled condenser
2	C19999305	Compressor
3	C21300601	Sleeve
4	C21300603	Grommet
5	C21054714	Drier
6	C80306601	Water pump
7	C00898200	Tube
8	C80332205	Harvest termination thermostat
9	C80015904	Thermo Exp. Valve -WC only
10	C80493001	Hot gas valve body
	C80493101	Hot gas valve coil
11	C00945900	Water reg valve
12	C26541100	Schrader valve core
13	C32943500	Schrader valve cap

SLC400 Service Parts

Freezing Compartment & Water System



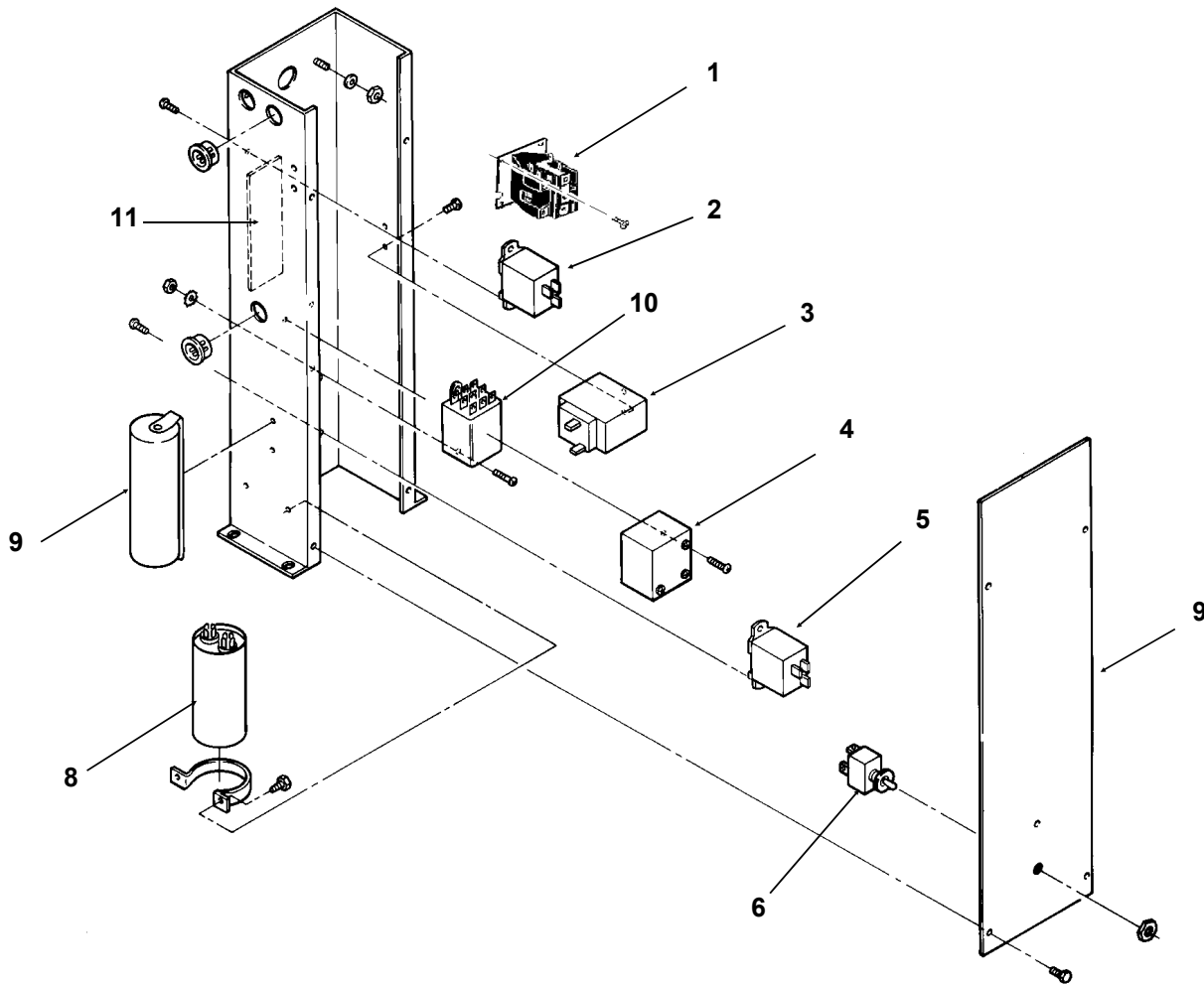
Item Number	Part Number	Description
1	C80307801	Water distributor pan
2	C80561501	Plastic tube stand-off (not shown, attached to left evap)
3	C80561201	Adjustment Bracket & Tube
4	C80562201	Ice thickness probe tube
5	C11800502	Ice size heater
6	C28037301	Ice size thermostat
7	C80304001	Front evap support
8	C35926400	Thumb screw
9	C80308001	Evap support assembly
10	C80315801	Splash shield
11	C80333401	Drain assembly complete
12	C80283601	Float valve
13	C80300901	Valve bracket
14	C80430701	Shut off valve & strainer
15	C80323901	Water inlet adapter
16	C80375001	Ice rack
17a	C80359604	Left evaporator
17b	C80359601	Middle or right evaporator
18	C44697000	Tubing, 1/4" poly

Not Illustrated:

19	C01231300	Thumb nut
20	C45688800	Refrigerant distributor
21	C80311301	Evap inlet tube assy.
22	C80300801	Rt. side ice deflector
23	C80465201	Top evap. bracket

SLC400 Service Parts

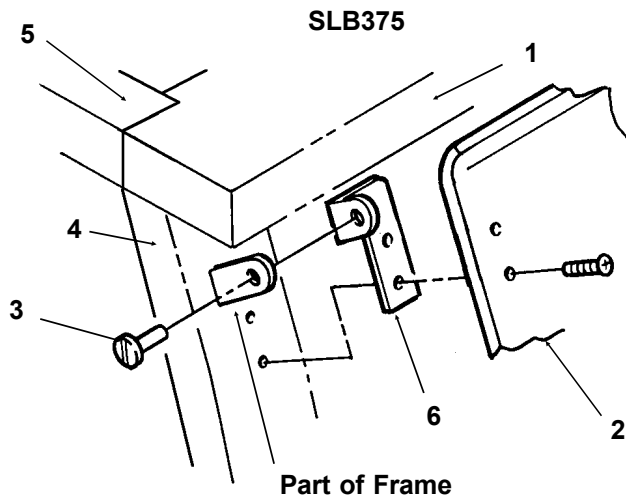
Control Box



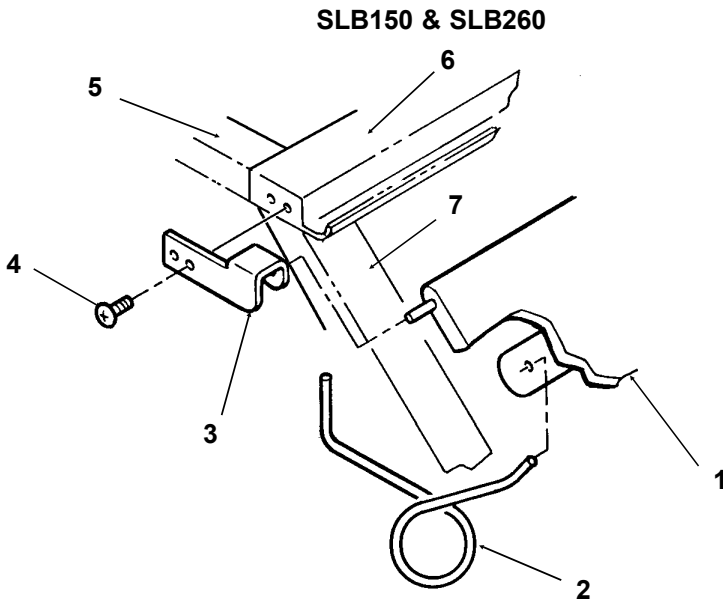
Item Number	Part Number	Description
1	C43216001	Contactor
2	C28037301	Ice size thermostat
3	C46297900	High pressure cut out - Water Cooled Only
4	C80193101	Compressor start relay
5	C80015800	Bin thermostat
6	C80012902	Ice/Off/Wash switch
7	C18381905	Start capacitor
8	C43753903	Run capacitor
9	C80315201	Control box cover
10	C80324101	Harvest relay
11	C18223900	Terminal block
Not Illustrated:		
12	C47139709	Fan motor cord

SLC400 Service Parts

Ice Storage Bins



Item Number	Part Number	Description
1	C80211705	Canopy
2	C80230902	Bin door assembly (includes hinge)
3	C80206901	Hinge pin
4	C80209504	Door frame assembly
5	19-0503-04	Gasket tape, 90"
6	C80299601	Hinge for door, rt
	C80299602	Hinge for door, lft
Not illustrated:		
7	C80399201	Clear button
8	C80511301	Baffle



Item Number	Part Number	Description
1	C19475304	Door Assembly
2	C19629100	Door spring
3	C80299602	Left door hinge
	C80299601	Right door hinge
4	C19632604	Hinge pin
5	19-0503-04	Gasket tape, 90"
6	C80307602	Canopy
7	C80309002	Door frame assy
SLB150 Only		
	C34196203	Bin thermo bracket

Drain Parts:

SLB375 and SLB260

Female fitting, pn C80205501

Male fitting, pn C80205301

Flanged hex nut, pn C80205401

SLB150

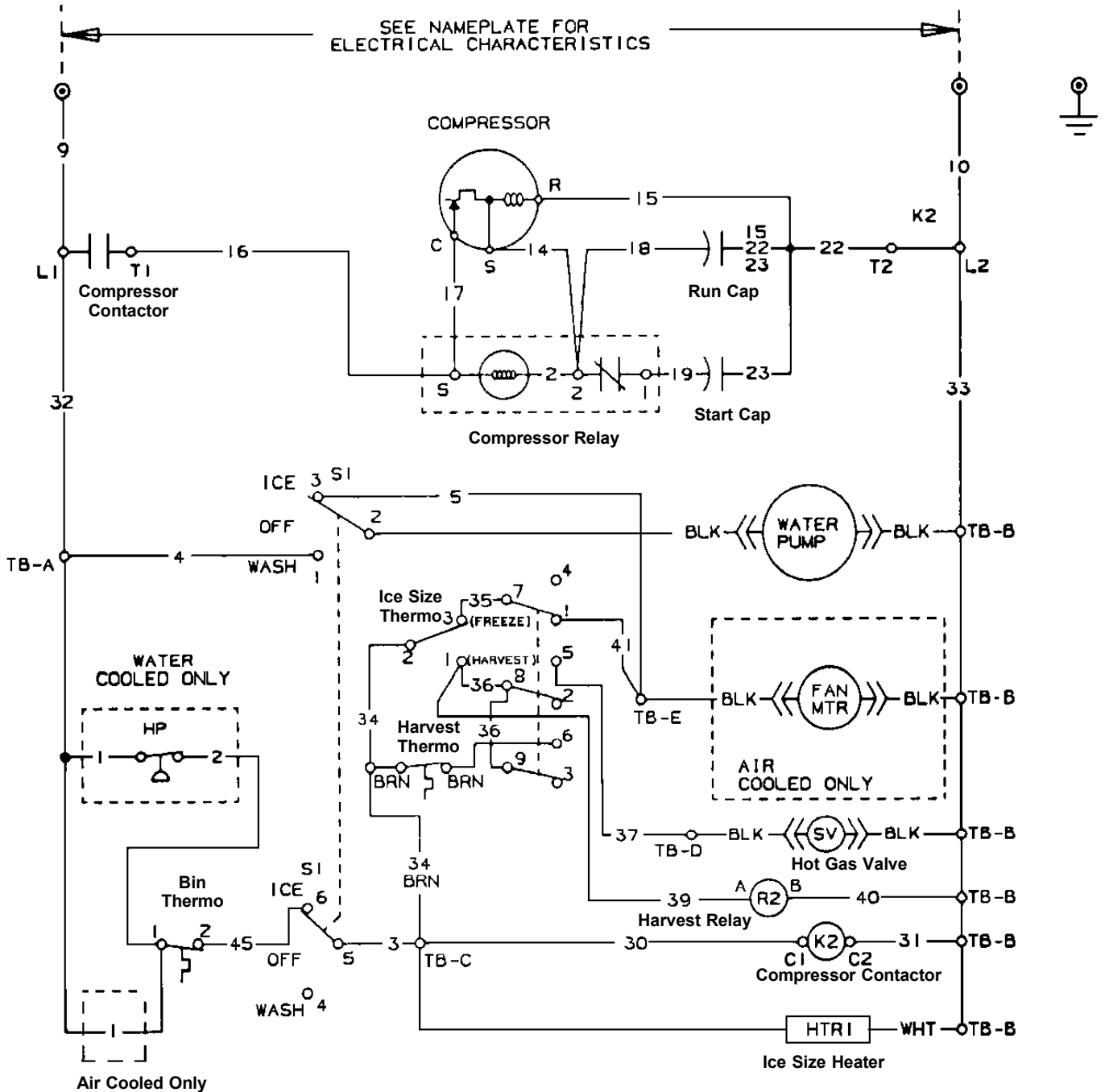
Drain fitting, pn C36619500

Drain cup, pn C36619600

Drain cap, pn C36619400

Leg Set is KLP2E
Scoop is PN 02-0540-00

SLC400 Service Parts Wiring Diagram



Note: Only use copper conductors. Wires in the machine are primarily red with reference numbers on them. Numbers in the diagram refer to the numbers on the wires. TB means Terminal Board.