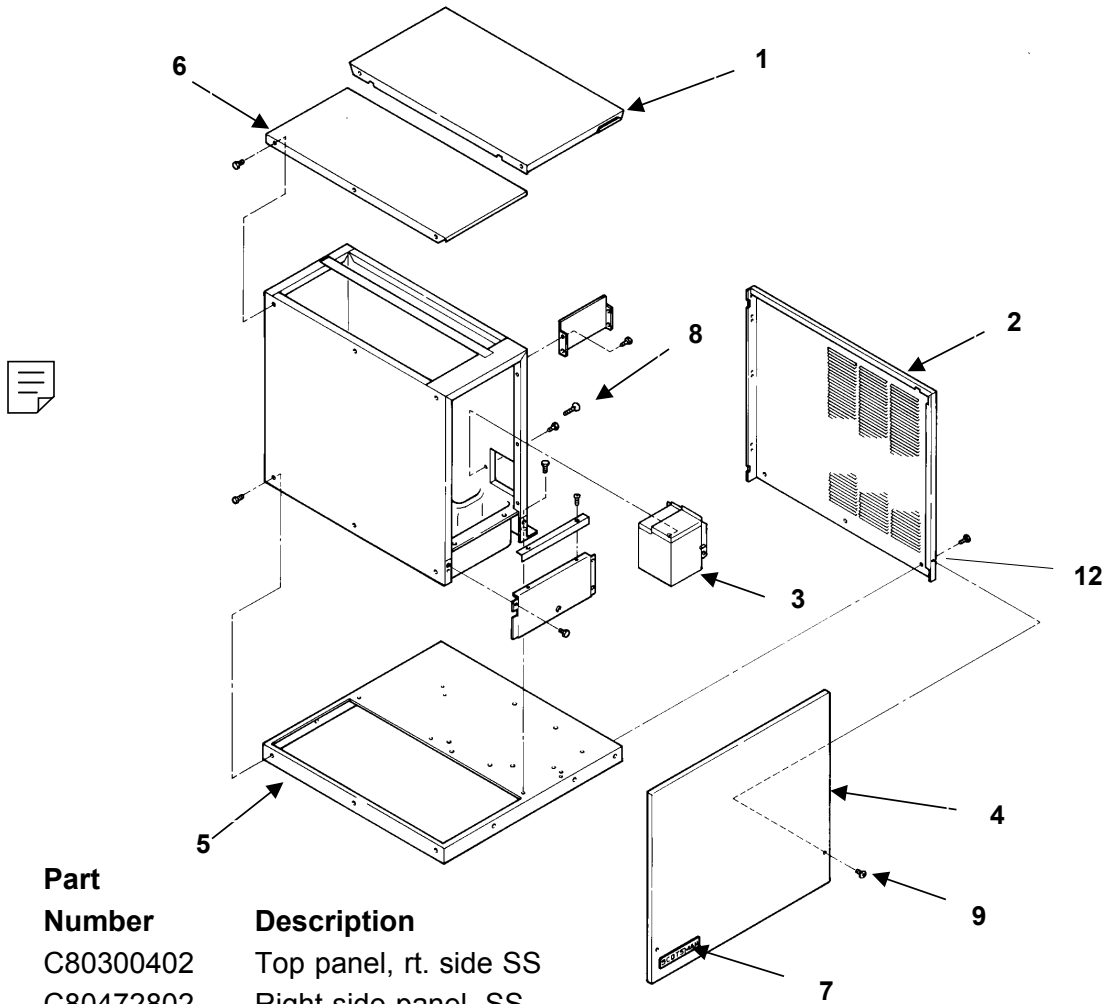


SLE400R Service Parts

Table of Contents

Cabinet	page 2
Refrigeration	page 3
Freezing Compartment & Water System	page 4
Control Box	page 5
Remote Condenser	page 6
Bins	page 7
Wiring Diagram	page 8

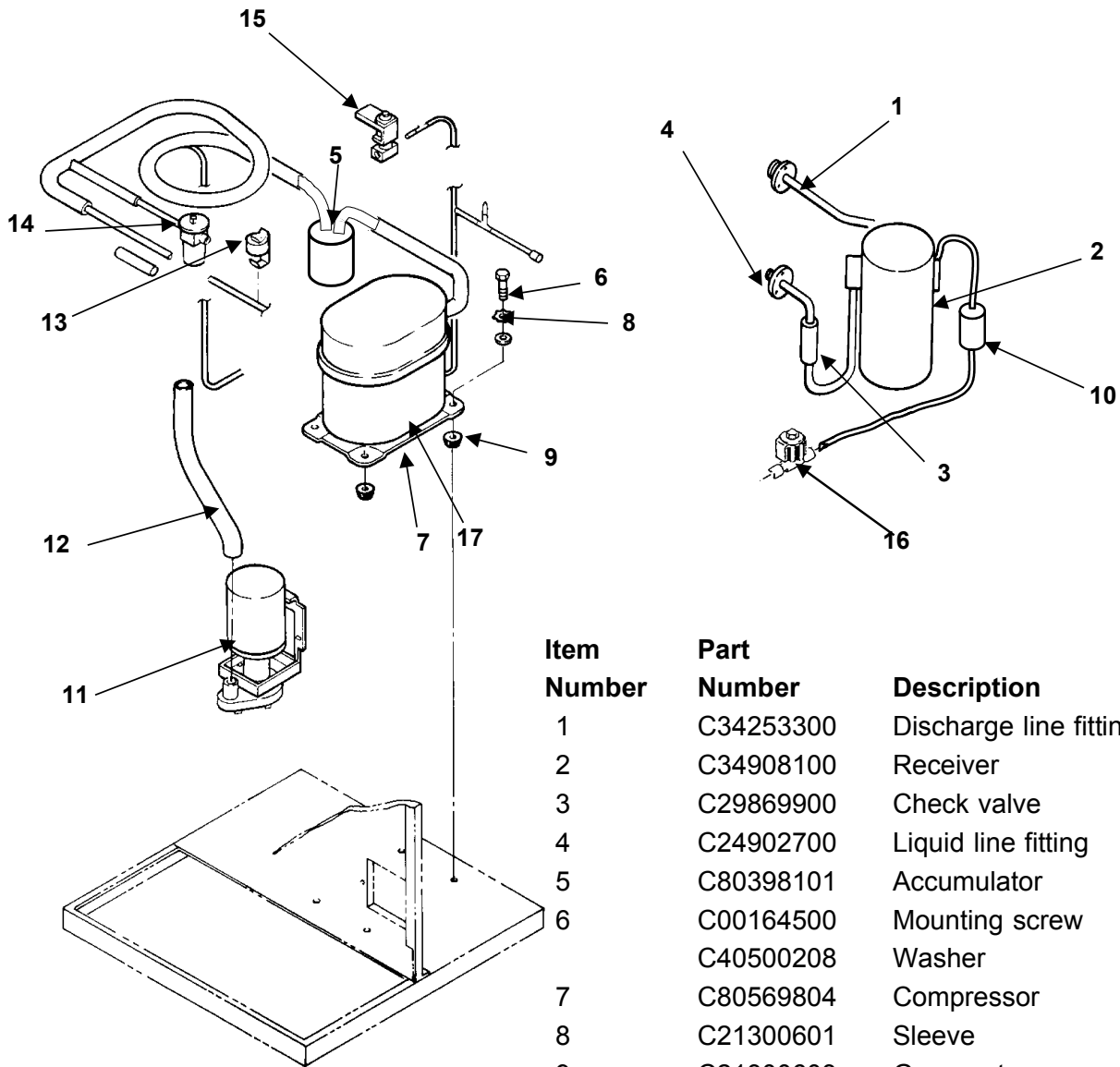
SLE400R Service Parts Cabinet



Item Number	Part Number	Description
1	C80300402	Top panel, rt. side SS
2	C80472802	Right side panel, SS
3	C80449201	Pump cover
4	C80316007	Front panel complete, SS
	C39902100	Gasket, order per foot. 49" req.
	C80306201	Liner
5	C80285402	Compressor deck, metal only
	C80317301	Base liner
6	C80304602	Top panel, lft side SS
7	C80559302	Emblem, grey
8	C44695102	Thumbscrew
9	C38990905	Screw
Not Illustrated		
10	C35926400	Thumbscrew for bin thermo bracket
11	C34196202	Bin thermostat bracket
12	C43210900	Insert - screw

SLE400R Service Parts

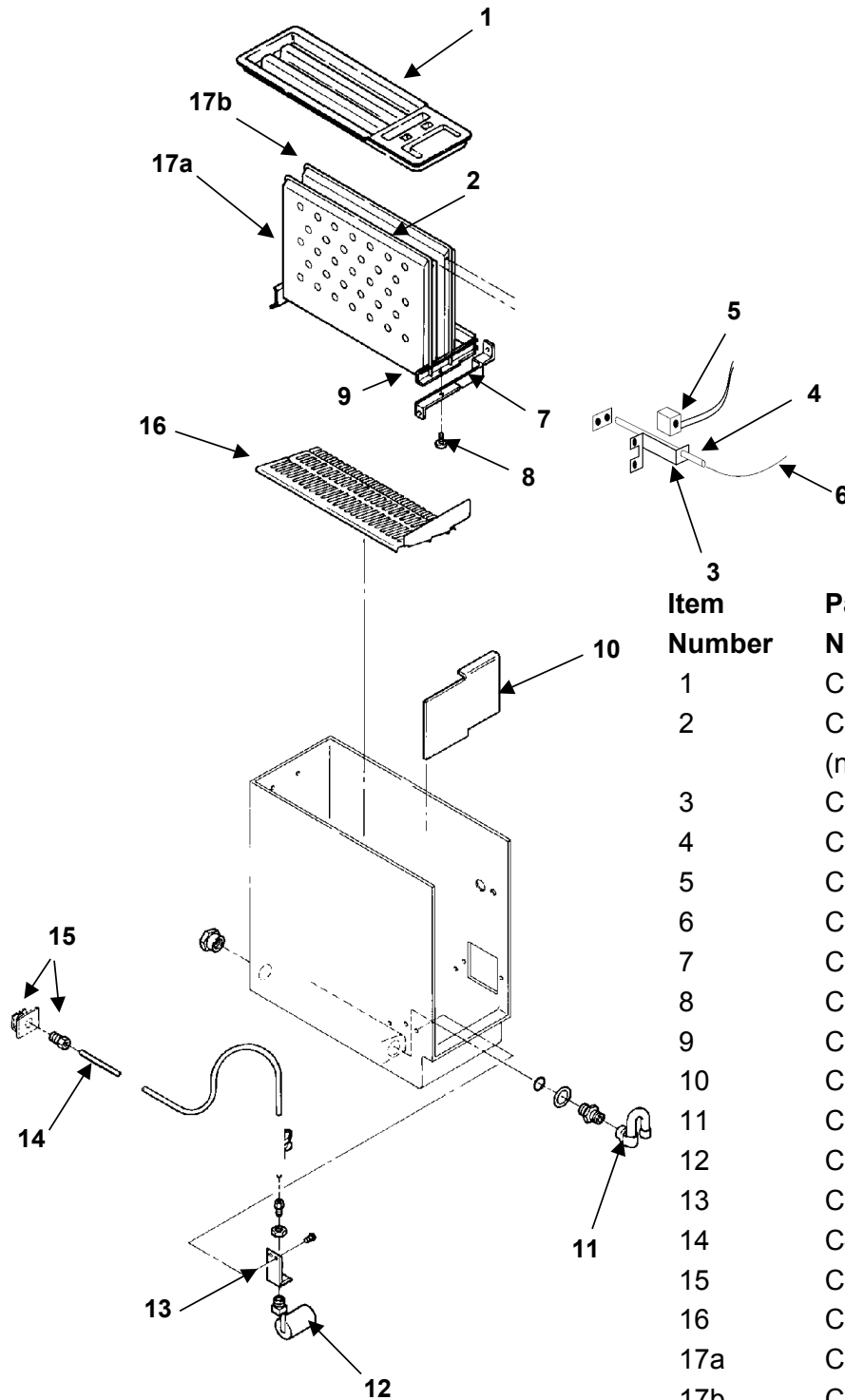
Refrigeration



Item Number	Part Number	Description
1	C34253300	Discharge line fitting
2	C34908100	Receiver
3	C29869900	Check valve
4	C24902700	Liquid line fitting
5	C80398101	Accumulator
6	C00164500	Mounting screw
	C40500208	Washer
7	C80569804	Compressor
8	C21300601	Sleeve
9	C21300603	Grommet
10	C21057404	Drier
11	C80306602	Water pump
12	C00898200	Tube
13	C80582702	Harvest termination thermostat
14	C80318902	Thermo Exp. Valve
15	C00899200	Hot gas valve
16	C80518502	Liquid Line valve
17	C80392401	Crankcase heater

SLE400R Service Parts

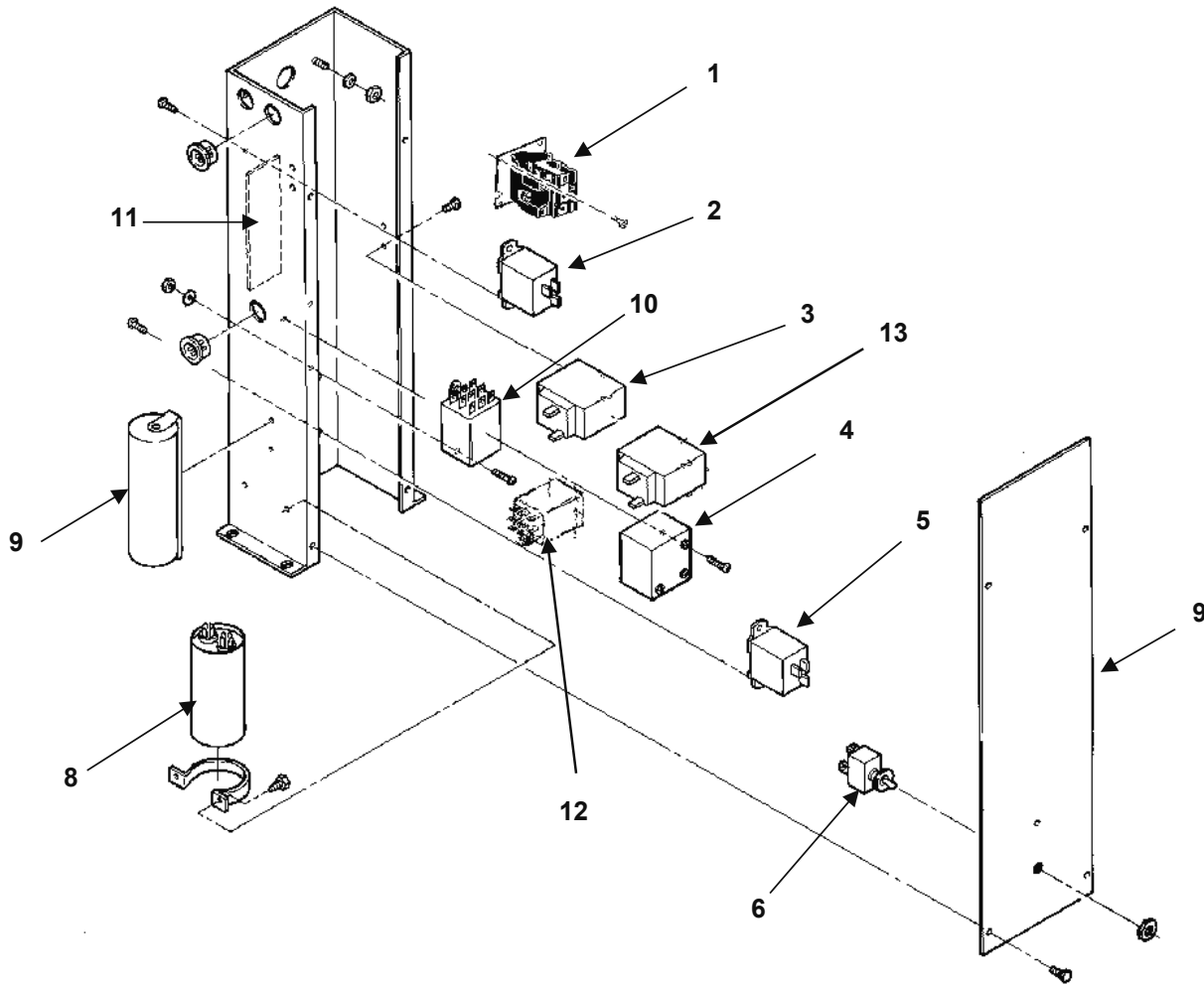
Freezing Compartment & Water System



Item Number	Part Number	Description
1	C80307801	Water distributor pan
2	C80561501	Plastic tube stand-off (not shown, attached to left evap)
3	C90100100	Adjustment Bracket & Tube
4	C80562201	Ice thickness probe tube
5	C11800502	Ice size heater
6	C28037301	Ice size thermostat
7	C80304001	Front evap support
8	C35926400	Thumb screw
9	C80308001	Evap support assembly
10	C80315801	Splash shield
11	C80333401	Drain assembly complete
12	C80283601	Float valve
13	C80300901	Valve bracket
14	C44697000	Tubing
15	C80323901	Water inlet adapter
16	C80375001	Ice rack
17a	C80359604	Left evaporator
17b	C80359601	Middle or right evaporator .
Not Illustrated:		
18	C01231300	Thumb nut
19	C45688800	Refrigerant distributor
20	C80311301	Evap inlet tube assy.
21	C80300801	Rt. side ice deflector
22	C80465201	Top evap. bracket

SLE400R Service Parts

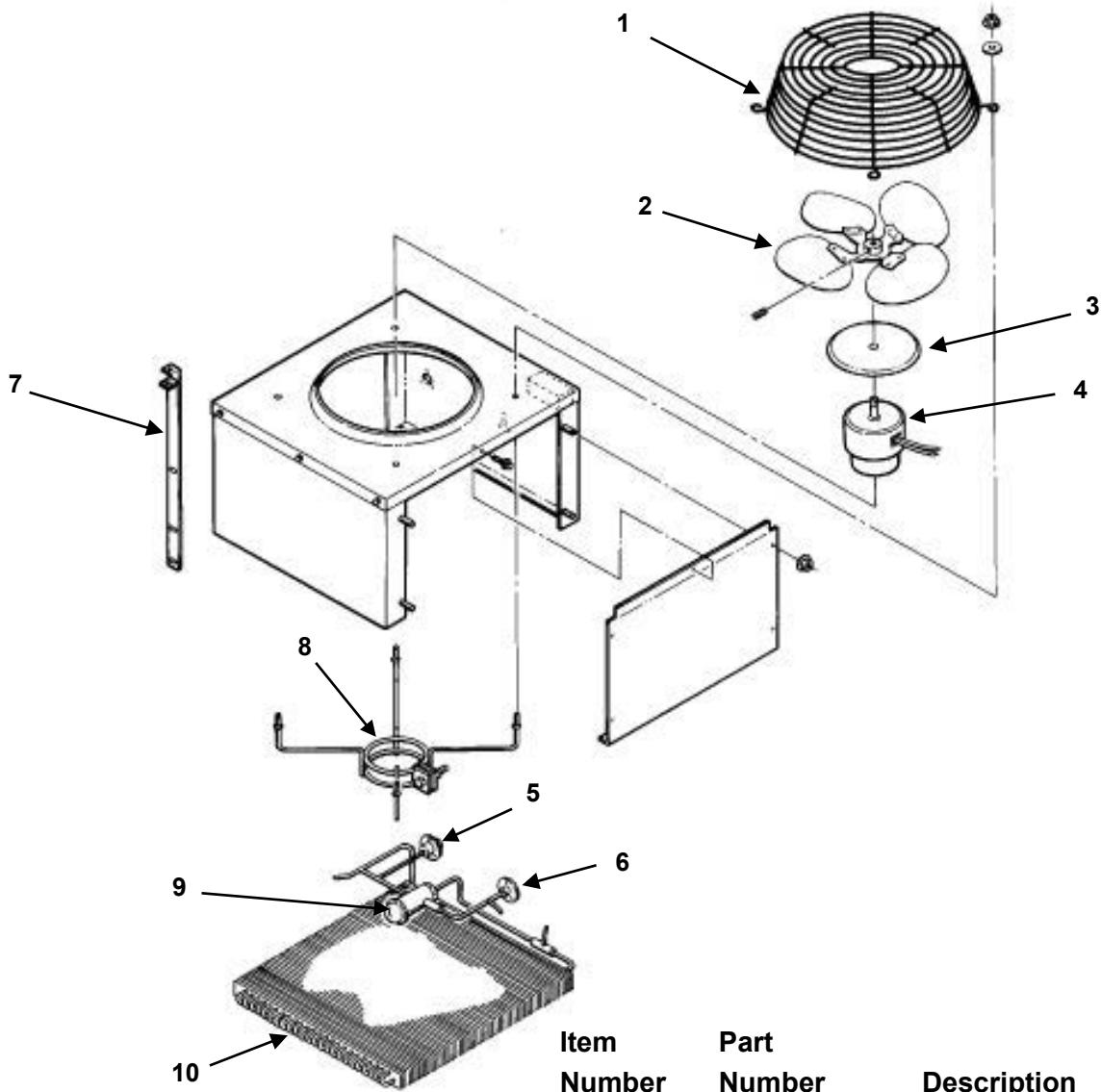
Control Box



Item Number	Part Number	Description
1	C43216000	Contactor
2	C28037301	Ice size thermostat
3	C46297904	High pressure cut out
4	C80193102	Compressor start relay
5	C80582201	Bin thermostat
6	C80012902	Ice/Off/Wash switch
7	C18381902	Start capacitor
	C18576401	Capacitor cap
8	C43753901	Run capacitor
9	C80315201	Control box cover
10	C80324102	Harvest relay
11	C18223900	Terminal block
12	C46292700	K1 relay
13	C80011100	Pump down control

SLE400R Service Parts

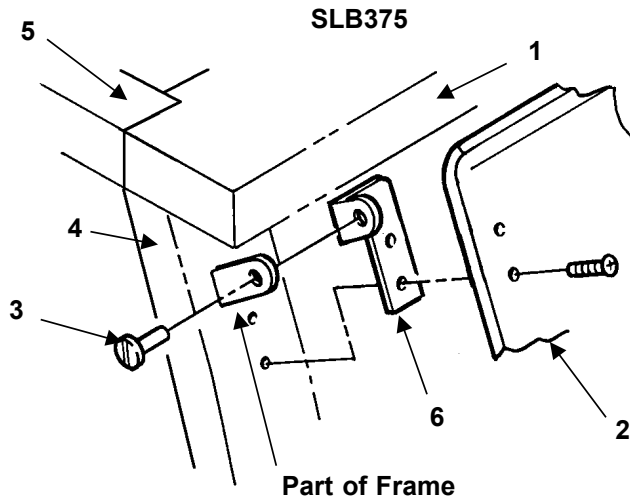
Remote Condenser for SLE400R (RCE400)



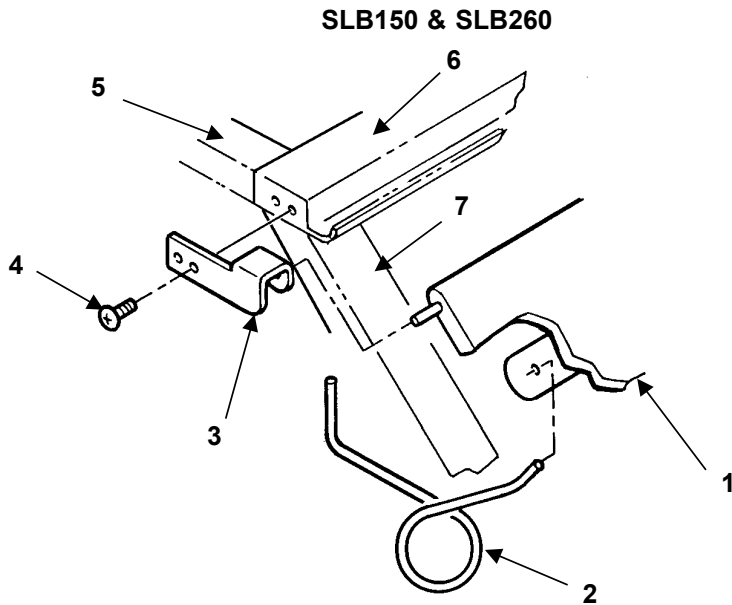
Item Number	Part Number	Description
1	C36227000	Grill
2	C01184200	Fan
3	C36225700	Shield
4	C36227400	Fan motor
	C37516402	Run capacitor
5	C34253300	Discharge fitting
6	C24902700	Liquid line fitting
7	C34774600	Leg
8	C36227100	Motor support
9	C26215400	Discharge pressure reg. valve
10	C34975000	Coil
Line set fittings:		
11	C80277601	Discharge tube fitting
12	C80277602	Liquid tube fitting

SLE400R Service Parts

Ice Storage Bins



Item Number	Part Number	Description
1	C80211705	Canopy
2	C80230902	Bin door assembly (includes hinge)
3	C80206901	Hinge pin
4	C80209504	Door frame assembly
5	19-0503-04	Gasket tape, 90"
6	C80299601	Hinge for door, rt
	C80299602	Hinge for door, lft
Not illustrated:		
7	C80399201	Clear button
8	C80511301	Baffle

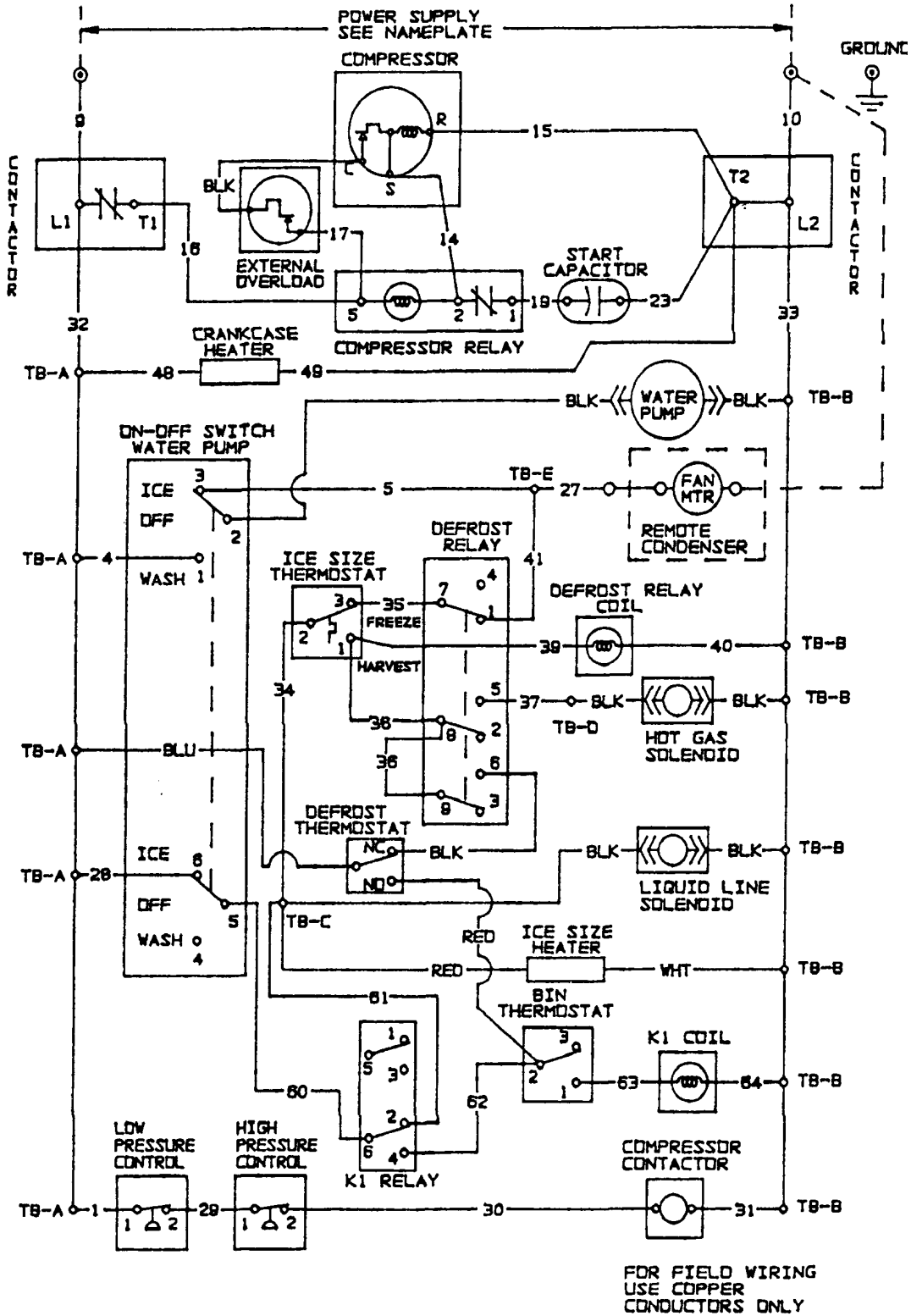


Item Number	Part Number	Description
1	C19475304	Door Assembly
2	C19629100	Door spring
3	C80299602	Left door hinge
	C80299601	Right door hinge
4	C19632604	Hinge pin
5	19-0503-04	Gasket tape, 90"
6	C80307602	Canopy
7	C80309002	Door frame assy
SLB150 Only		
	C34196203	Bin thermo bracket

Drain Parts:
SLB375 and SLB260
 Female fitting, pn C80205501
 Male fitting, pn C80205301
 Flanged hex nut, pn C80205401
SLB150
 Drain fitting, pn C36619500
 Drain cup, pn C36619600
 Dran cap, pn C36619400

Leg Set is KLP2E
Scoop is PN 02-0540-00

SLE400R Service Parts Wiring Diagram



Note: Only use copper conductors. Wires in the machine are primarily red with reference numbers on them. Numbers in the diagram refer to the numbers on the wires. TB means Terminal Board.